



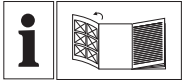
## GAS HEATER PGH 17 A1



GB IE

### GAS HEATER

Operation and Safety Notes  
Original operating instructions

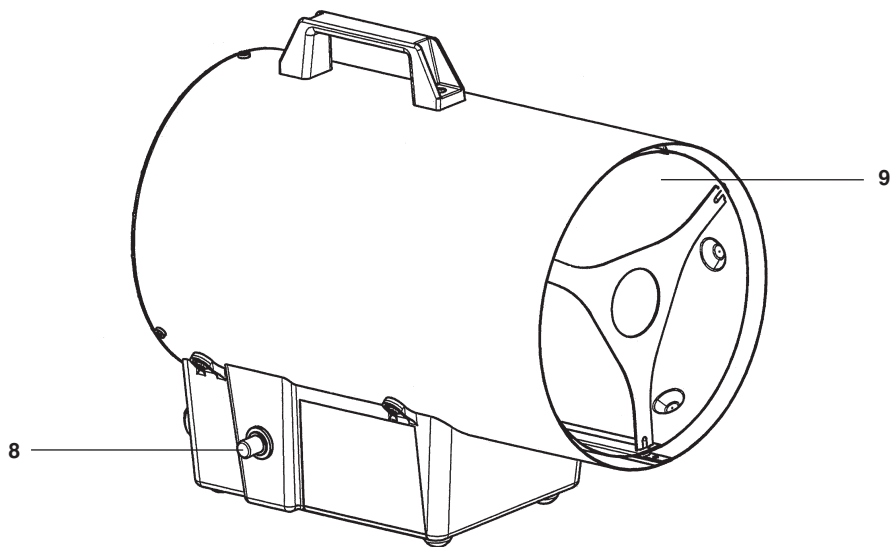
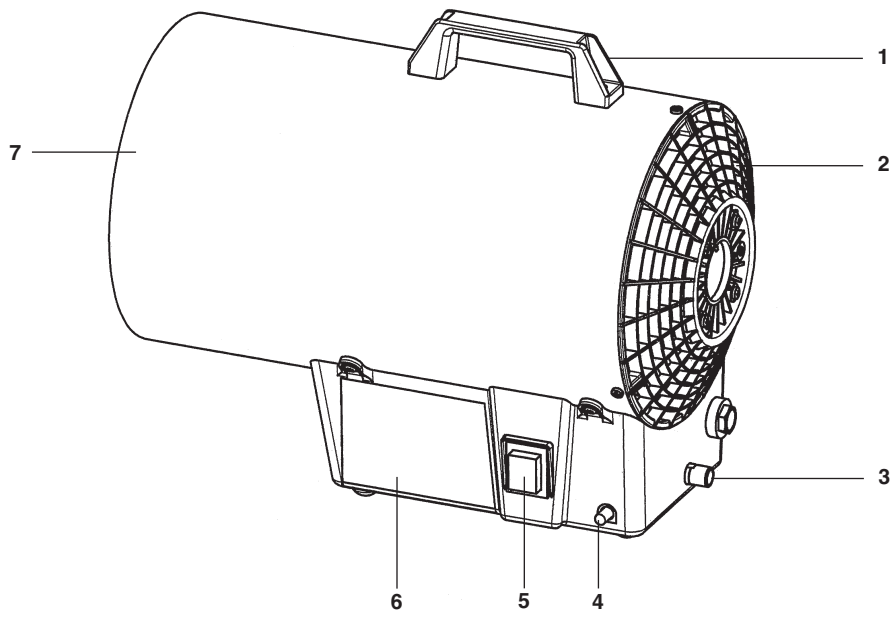


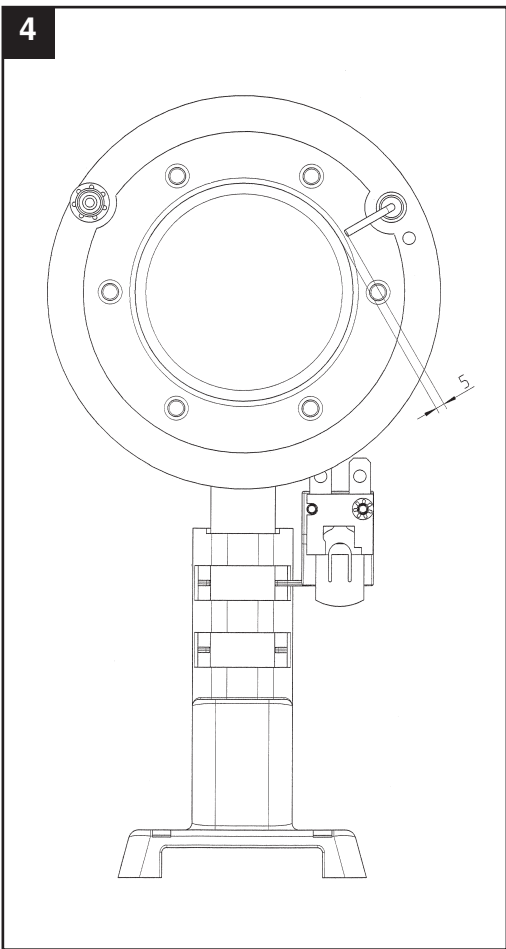
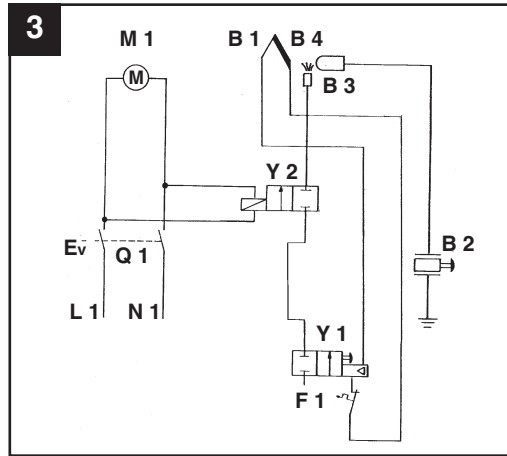
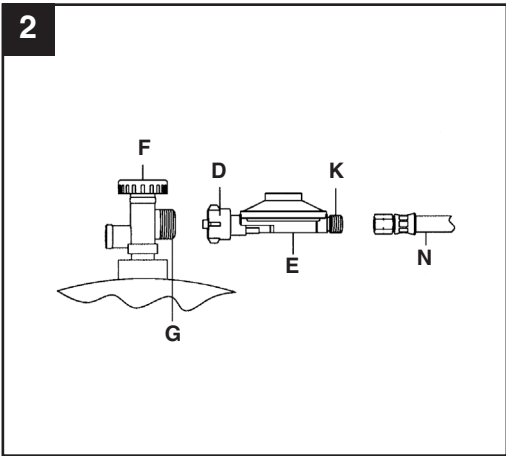
GB IE

Before reading, unfold the page containing the illustrations and familiarise yourself with all functions of the device.

---

1





<b>Table of contents</b>	<b>Page</b>
1. Introduction .....	6
2. Safety information .....	6-7
3. Layout .....	8
4. Items supplied .....	8
5. Intended use .....	8
6. Before starting the equipment .....	8-9
7. Using the equipment .....	9-10
8. Cleaning, maintenance and ordering of spare parts .....	10-11
9. Storage .....	11
10. Connection diagram .....	11
11. Technical data .....	11
12. Disposal and recycling .....	11-12
13. Troubleshooting .....	13
14. Spare parts list .....	14
15. Spare parts drawing .....	15
16. Declaration of conformity .....	16
17. Guarantee certificate .....	17

The reprinting or reproduction by any other means, in whole or in part, of documentation and papers accompanying products is permitted only with the express consent of ISC GmbH.

Subject to technical changes

GB/  
IE

## 1. Introduction

### ⚠ Important.

When using the equipment, a few safety precautions must be observed to avoid injuries and damage. Please read the complete operating instructions and safety information with due care. Keep these operating instructions in a safe place so that the information is available at all times. If you give the equipment to any other person, hand over these operating instructions and the safety information as well. We cannot accept any liability for damage or accidents which arise due to a failure to follow these instructions and the safety information.

## 2. Safety information

### ⚠ CAUTION

**Read all the safety information and instructions.** Any errors made in following the safety information and the instructions set out below may result in an electric shock, fire and/or serious injury.

**Keep all safety information and instructions in a safe place for future use.**

### 2.1 General safety information

- Read the operating instructions before you use the gas fan heater.
- The gas fan heater must be installed in compliance with the regulations in force in your country and as described in these instructions.
- Position the power cable so that there is no danger of tripping over it.
- Do not pass the power cable over hot parts of the equipment during operation.
- Never use the power cable to pull the power plug out of the socket-outlet! Never use the power cable to carry the gas fan heater or try to move it by pulling.
- Never wind the power cable around the gas fan heater.
- Never jam the power cable between objects or pull the cable over sharp edges or

position the cable over hot plates or open flames.

- Never immerse the gas fan heater in water – **danger of fatal accident!**
- Never use the gas fan heater with wet hands.
- Never open the gas fan heater and touch live parts – **danger of fatal accident!**
- Position the gas fan heater in such a way that the power plug is accessible at all times.
- Do not position the gas fan heater directly below a socket-outlet.
- If the gas fan heater is not used for a lengthy period of time, pull out the power plug and remove the gas cylinder! Observe all the information in this manual.
- Do not insert any foreign objects into the equipment's openings – danger of electric shock and damage to the equipment.
- If the power cable for this equipment is damaged, it must be replaced by the manufacturer or its after-sales service or by similarly trained personnel to avoid danger.
- To prevent damage from the effects of heat, do not place any heat-sensitive objects near the gas fan heater.
- Do not touch the housing and safety guards during operation – risk of burns.

### 2.2 Equipment-specific safety information

- Observe the technical regulations concerning liquid gas which are in force in your country (in Germany: TRF 1996).
- You are allowed to operate the gas fan heater only when it is fully assembled.
- The air inlet grille and the air outlet opening must not be reduced in size and must not be covered over – risk of fire -
- Never place the gas cylinder in front of the gas fan heater while it is in operation – risk of fire -
- The gas fan heater must not be operated on an easily combustible surface- risk of fire -
- Operate the gas fan heater on a flat, level, incombustible and stable surface.
- The gas fan heater is designed for private use only.
- The rooms in which the equipment is used must be well ventilated. Ventilation openings

with a total area of at least 450 cm<sup>2</sup> must be provided. A minimum room size of 170 m<sup>3</sup> is compulsory.

- The gas fan heater must never be used in basements or in rooms below ground level.
- The gas fan heater must not be used to heat inhabitable rooms in residential buildings. Usage in public buildings must comply with the regulations in force in your country!
- Do not use the gas fan heater in leisure vehicles such as caravans, motor homes and boats.
- No persons are allowed to remain in the room where the equipment is being used.
- Do not use the gas fan heater in rooms in which there is already a gas cylinder.
- The gas fan heater must not be operated near other heaters (minimum distance 1 m), inflammable materials or explosive materials.
- The gas fan heater must be set up with the following safety distances between its housing and combustible materials or walls: 2 m at the air intake end, 3 m at the air discharge end, 1 m at the sides, 1.50 m at the top.
- Do not move the gas fan heater when it is in operation.
- After the gas fan heater has been in use and each time before you move it, close the valve on the liquid gas cylinder.
- Use only the gas types and the liquid gas cylinders specified by the manufacturer.
- The liquid gas cylinder must be changed in a well ventilated area away from naked flames (candles, cigarettes or other equipment with a naked flame). The gas cylinder valve must be closed for this purpose.
- Check that the seal on the pressure regulator is fitted correctly and that it can perform its function.
- If there is a gas leak, do not use the gas fan heater. If it is already in use, the gas supply must be shut off and the gas fan heater must be inspected and repaired before it can be used again.
- In the event of a leak, close the shut-off valve on the gas cylinder immediately and open the doors and windows.

- If you smell gas, do not switch any lights on or off, actuate no other electrical switches and do not use a telephone or mobile phone in the danger area.
- If you smell gas, do not use a naked flame (e.g. a lighter or match) and do not smoke.
- Check the hose lines (gas hose) at least once a month and every time you change the liquid gas cylinder. If the hose lines show signs of becoming brittle or any other damage, you must replace them with new hoses of the same length and quality.
- The gas hose must be replaced within the specified periods (see section 8.2).
- Check that the seal on the cylinder valve is in good condition and is actually fitted. Do not use additional seals.
- Liquid gas cylinders must be protected from direct sunlight and must be stored only in an upright position.
- The gas fan heater may be used only with a connected pressure regulator with the maximum output pressure as set in the factory and indicated on the rating plate.
- Do not kink or twist the gas hose.
- **Install and ignite in strict** adherence to the instructions.
- If the equipment cannot be left in a safe condition to run unattended, switch it off.

This equipment is not designed to be used by people (including children) with limited physical, sensory or mental capacities or those with no experience and/or knowledge unless they are supervised by a person who is responsible for their safety or they have received instructions from such a person in how to use the equipment safely.

Children must always be supervised in order to ensure that they do not play with the equipment.

### 3. Layout (Fig. 1)

- 1 Carry handle
- 2 Air inlet grille
- 3 Gas connection thread
- 4 Gas valve button
- 5 ON/OFF switch
- 6 Base
- 7 Housing
- 8 Piezo ignition knob
- 9 Air outlet opening

### 4. Items supplied

- Open the packaging and take out the equipment with care.
- Remove the packaging material and any packaging and / or transportation braces (if available).
- Check to see if all items are present.
- Inspect the equipment and accessories for transport damage.
- If possible, keep the packaging until the end of the guarantee period.

#### IMPORTANT

**The equipment and packaging material are not toys! Do not let children play with plastic bags, foils or small parts! There is a danger of swallowing or suffocating!**

- Gas fan heater
- Carry handle with 2 screws
- Gas hose (1m long)
- Pressure regulator 300mbar
- Original operating instructions

### 5. Intended use

The gas fan heater is designed solely for heating, structural drying and thawing purposes in well ventilated rooms and outdoors. Well ventilated rooms have ventilation openings with a total area of at least 450 cm<sup>2</sup>. A minimum room size of 170 m<sup>3</sup> is compulsory. The gas fan heater must never be used in basements or in rooms below ground level. This gas fan heater is not designed for household use.

The gas fan heater may be used only for its intended purpose. Any other use is deemed to be a case of misuse. The user/operator and not the manufacturer will be liable for any damage or injuries of any kind which result from such misuse.

Please note that our equipment has not been designed for use in commercial, trade or industrial applications. Our warranty will be voided if the equipment is used in commercial, trade or industrial businesses or for equivalent purposes.

### 6. Before starting the equipment

#### 6.1. Fitting the carry handle (Fig. 1)

Use a cross-tip screwdriver and the provided screws to screw the carry handle (1) to the housing (7).

#### 6.2 Connecting to the gas cylinder (Fig. 2)

##### 6.2.1 Parts required

**The following parts are required to connect the gas fan heater to the gas cylinder:**

- A conventional 5 kg or 11 kg (max. 13 kg) gas cylinder.
- A pressure regulator compliant with BS EN 13785 for 300mbar operating pressure, max. 1.5 kg/h, for the gas cylinder used (supplied).
- A sufficiently long hose line compliant with BS EN 1763-1 (max. 1.0 m) which can be fitted without kinking (supplied).



- A wrench size 17.
- Approved leak spray or foaming agent.

**Important.** Follow the safety information (section 2)

**Note:** The gas cylinder must be set up in such a way that the hose line is not kinked or twisted, is not subjected to tension and does not touch any hot areas of the gas fan heater.

### 6.2.2 Making the connections

1. (Fig. 1) Use a wrench size 17 to connect the gas hose to the gas connection thread (3) of the gas fan heater. Tighten the connection.
2. (Fig. 2) Connect the union nut (D) of the pressure regulator (E) to the cylinder valve thread (G) by turning it counter-clockwise. Do not use any tools – the cylinder valve gasket could be damaged, resulting in a leak.
3. (Fig. 2) Connect the hose line (N) to the pressure regulator output thread (K) with a suitable wrench size 17, turning it counter-clockwise. To tighten, you must hold a second wrench of the correct size on the pressure regulator (faces are provided on the pressure regulator for this purpose) in order to stop the regulator being turned or to stop too much force being transferred. Tightening the connection as just described will prevent leaks.
4. Use a leak tester to check all the connections under operating pressure. If no bubbles form, the connection is not leaking. It is prohibited to conduct a leak test with a naked flame. Porous or damaged hose lines and fittings must be replaced immediately.

### 6.2.3 Replacing the gas cylinder (Fig. 2)

**Important.** Read the safety information

1. The liquid gas cylinder must be changed in a well ventilated area or outdoors away from naked flames (candles, cigarettes, other devices with a naked flame, etc.).
2. Close the cylinder valve (F)
3. Undo the union nut (D) on the pressure regulator
4. Take the pressure regulator (E) off the cylinder

5. Screw a guard cap onto the cylinder valve thread (G)
6. Connect the new cylinder as described in section 6.2.2

## 7. Using the equipment

### 7.1 Starting up

**Notes:**

- Before starting up the gas fan heater and in particular after a lengthy period of non-use, check the gas carrying parts for blockages caused by insects, etc. If the gas pipes are blocked, a dangerous flashback may occur.
- Do not start up the gas fan heater until you are certain that the gas hose and its connections are not leaking (see section 7.1.1).
- Check that the voltage supply is the same as the voltage details on the rating plate.
- If a leak develops during operation, close the gas cylinder valve immediately and open all the windows and doors.

#### 7.1.1 Testing for leaks

With the gas cylinder valve open and the pressure regulator closed, spray leak detection spray on all the screw connections you have made in order to check for leaks. If there is a leak, bubbles will form at this position. In this case close the cylinder valve immediately and re-tighten the screw connections. Then check for leaks again. If the leak remains after several attempts, please contact Customer Service.

#### 7.1.2 Switching on the gas fan heater (Fig. 1)

**Important.** When you switch on the gas fan heater, always stand behind or on the side of the equipment and never in front of the air outlet opening – risk of burns.

**Notes:**

- Do not move the gas fan heater when it is in operation
- The gas fan heater becomes hot when it is in operation – risk of burns.

GB/  
IE

1. Insert the power plug into the power socket-outlet.
2. Open the gas valve on the gas cylinder.
3. Switch on the ON/OFF switch (5) and check whether the fan behind the air inlet grille (2) is running and whether air is being blown out through the air outlet opening (9).
4. Let the fan run for at least 30 seconds and press the gas valve button (4) and the piezo ignition (8) simultaneously. If necessary, press the piezo ignition (8) several times while you continue to hold the gas valve button (4). After ignition, keep the gas valve button (4) pressed for another 10 seconds.

If the gas fan heater stops burning after you let go of the gas valve button, you must allow the fan to continue running for at least another 1 minute before repeating the ignition operation. This is vital in order to disperse the gas completely.

#### Notes:

- If ignition is difficult or irregular, be sure to check the air throughput before you start the equipment again. The fan must not be blocked and the air inlet end and/or air outlet end must not be covered.
- Lengthy and extreme use can be accompanied by excessive evaporation with icing (hoar frost) on the gas cylinder. In this case connect a new or bigger gas cylinder to the equipment.

## 7.2 Shutting down

### 7.2.1 Switching off the gas fan heater

1. Close the cylinder valve.
2. Allow the fan to continue running for at least another 2 minutes in order to cool the gas fan heater.
3. Press the ON/OFF switch (5) to switch off the fan.
4. Pull the power plug out of the socket-outlet.
5. Disconnect the pressure regulator from the gas cylinder.

## 8. Cleaning, maintenance and ordering of spare parts

### 8.1 Cleaning

- Before carrying out any cleaning and maintenance work, the gas fan heater must be turned off, disconnected from the power supply and cooled down.
- Then disconnect the pressure regulator with gas hose from the gas cylinder.
- Use a damp cloth to clean the casing.
- Remove dust with a vacuum cleaner or with careful use of compressed air.

### 8.2 Maintenance

- Repairs and maintenance work on the equipment may be carried out only by authorized gas fitters.
- Only original spare parts are allowed to be used for repairs.
- Check the power cable at regular intervals for signs of defects or damage.
- A damaged power cable may be replaced only by an electrician or ISC GmbH in compliance with the relevant regulations.
- Check the hose lines (gas hose) at least once a month and every time you change the liquid gas cylinder. If the hose lines show signs of becoming brittle or any other damage, you must replace them with new hoses of the same length and quality.
- After lengthy periods of non-use and each time after any maintenance and repairs you must check that everything is in good working order. This includes testing all the gas carrying connections for leaks (e.g. with leak detection spray or soap solution) and performing an electrical safety test in accordance with VDE 0701.

### 8.3. Ordering spare parts

Please provide the following information on all orders for spare parts:

- Model/type of the equipment
- Article number of the equipment
- ID number of the equipment
- Part number of the required spare part

For our latest prices and information please go to [www.isc-gmbh.info](http://www.isc-gmbh.info)

## 9. Storage

### 9.1 Equipment

Store the equipment and its accessories out of children's reach in a dark and dry place at above freezing temperature. The ideal storage temperature is between 5 and 30 °C. Store the equipment in its original packaging.

### 9.2 Liquid gas cylinder

- Never store the liquid gas cylinder inside the house, in rooms below ground level or in non-ventilated areas!
- The valves on the liquid gas cylinder must have valve guard caps and lock nuts.
- Gas cylinders must be stored upright, even when they are empty.

## 10. Connection diagram (Fig. 3)

Q1 ON/OFF switch  
 F1 Fuse-thermostat  
 M1 Fan motor  
 Y1 Thermoelectrical ignition guard (gas valve)  
 Y2 Safety solenoid valve  
 B1 Thermal element  
 B2 Piezo ignition  
 B3 Ignition electrode  
 B4 Burner

## 11. Technical data

Rated thermal load:	max. (Hi) 17 kW
Air throughput:	500 m <sup>3</sup> /h
Gas consumption:	G 30: 1340 g/h
Equipment category:	I3P
Country of destination:	GB/IE
Type of gas:	Standard propane
Operating pressure P:	300 mbar (propane)
Mains connection:	230 V ~ 50 Hz, 0.17 A, 38 W
Protection type:	IP44
Temperature class:	75°C

## 12. Disposal and recycling

The equipment is supplied in packaging to prevent it from being damaged in transit. The raw materials in this packaging can be reused or recycled. The equipment and its accessories are made of various types of material, such as metal and plastic. Defective components must be disposed of as special waste. Ask your dealer or your local council!



For EU countries only

Never place any electric power tools in your household refuse.

To comply with European Directive 2002/96/EC concerning old electric and electronic equipment and its implementation in national laws, old electric power tools have to be separated from other waste and disposed of in an environment-friendly fashion, e.g. by taking to a recycling depot.

**GB/  
IE**

Recycling alternative to the return request:  
As an alternative to returning the equipment to the manufacturer, the owner of the electrical equipment must make sure that the equipment is properly disposed of if he no longer wants to keep the equipment. The old equipment can be returned to a suitable collection point that will dispose of the equipment in accordance with the national recycling and waste disposal regulations. This does not apply to any accessories or aids without electrical components supplied with the old equipment.

## 13. Troubleshooting

If the equipment is operated properly you should experience no problems with malfunctions or faults. In the event of any malfunctions or faults, please check the following before you contact your customer services.

Fault	Possible cause	Remedy
The fan does not run	– No electricity	– Check the power plug, – Check the voltage supply, if necessary replace the power cable
The equipment does not ignite	– Defective ignition cable  – Loose ignition cable  – The distance between the electrode and the burner is too big	– Check the ignition cable, replace if necessary*.  – Check the ignition cable, connect securely if necessary*.  – Set the distance to 5 mm* (see Fig. 4).
No gas flow	– Gas cylinder empty  – Gas cylinder valve closed  – Safety valve in the equipment has still not released the gas	– Replace the gas cylinder  – Open the valve.  – Try again to switch on (see section 7.1.2)
Gas input too high or flame too big	– Pressure regulator defective	– Replace the pressure regulator
The burner flame goes out during operation	– The thermal element is not warm enough  – The air inlet and/or air outlet are blocked  – No mains voltage  – The flame is blown out by wind or a draught	– Try again to switch on (see section 7.1.2)  – Clean the air inlet grille, remove obstructions to the air intake, check the fan operation  – Check the voltage supply, if necessary replace the power cable  – Set up the equipment out of wind and draughts, allow it to cool for several minutes, then try again to switch on (see section 7.1.2)

### Important.

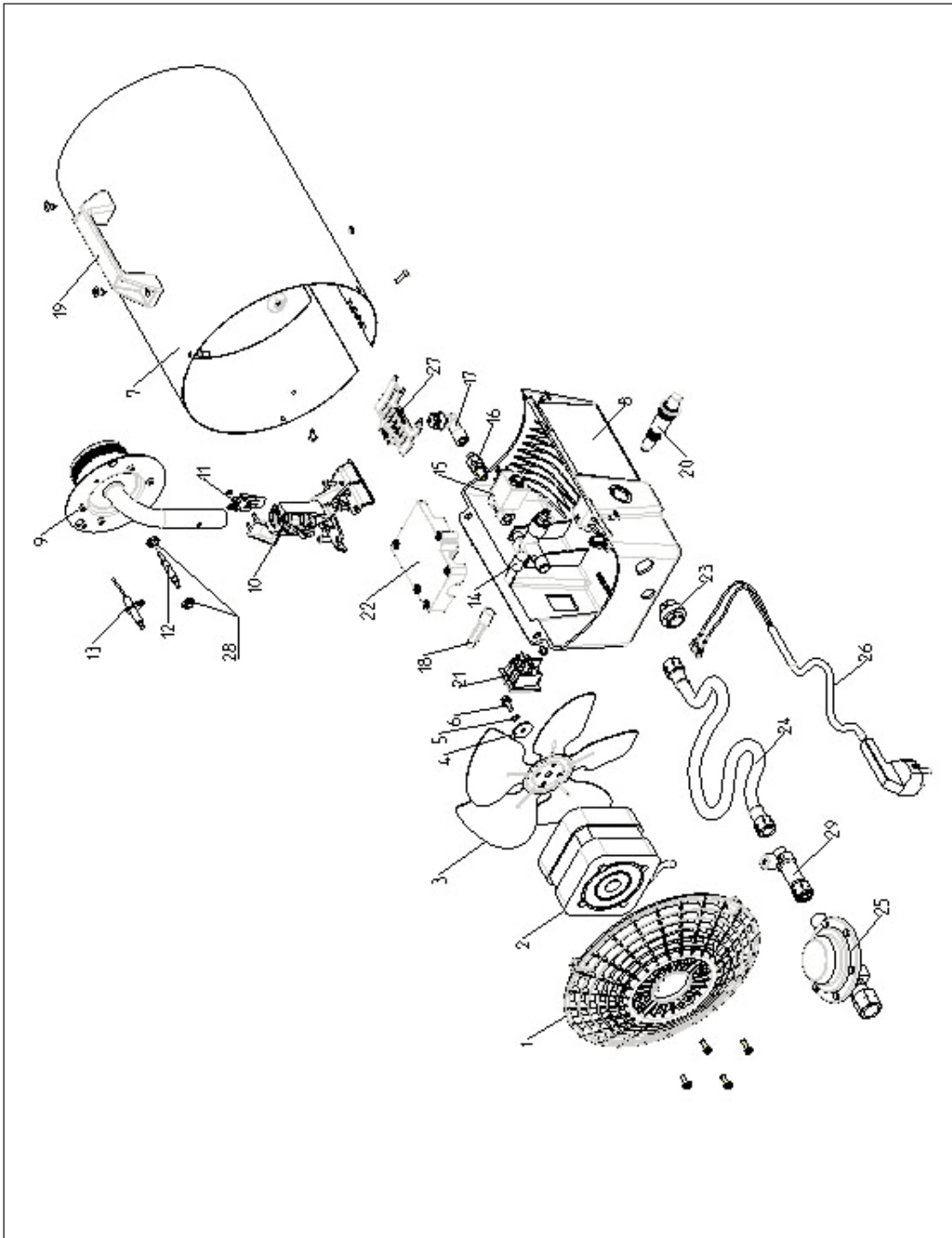
\* This work must be performed by qualified and approved specialists.

GB/  
IE

## 14. Spare parts list

Item	Designation	Replacement part number
1	Motor grille	086.50.008.05
2	Motor	086.84.190.17
3	Fan impeller	086.55.700.05
4	Washer	086.52.029.01
5	Spring washer	086.52.426.02
6	Hexagon head screw	086.50.021.63
7	Complete casing	086.89.721.92
8	Base	086.50.008.03
9	Burner	086.89.061.17
10	Burner holder	086.89.712.30
11	Temperature monitor	086.75.859.02
12	Thermal element	086.75.911.06
13	Ignition electrode	086.75.811.06
14	Ignition guard	086.75.850.04
15	Solenoid valve	086.70.441.01
17	Angle piece with nozzle	086.89.510.07
18	Gas valve button	086.82.403.35
19	Handle	086.89.525.26
20	Piezo ignition	086.75.801.04
21	ON/OFF switch	086.70.038.03
22	Retaining cover	086.82.403.25
23	Stress-relief clip	086.50.008.04
24	Gas hose	086.50.007.83
25	Pressure reducer	086.50.007.82
26	Power cable	086.50.008.08
27	Covering cap	086.82.403.27

### 15. Spare parts drawing



GB/  
IE

## 16. Declaration of conformity

Einhell Germany AG · Wiesenweg 22 · D-94405 Landau/Isar



## Konformitätserklärung

- erklärt folgende Konformität gemäß EU-Richtlinie und Normen für Artikel  
 explains the following conformity according to EU directives and norms for the following product  
 déclare la conformité suivante selon la directive CE et les normes concernant l'article  
 dichiara la seguente conformità secondo la direttiva UE e le norme per l'articolo  
 verklaart de volgende overeenstemming conform EU richtlijn en normen voor het product  
 declara la siguiente conformidad a tenor de la directiva y normas de la UE para el artículo  
 declara a seguinte conformidade, de acordo com a directiva CE e normas para o artigo  
 atterer følgende overensstemmelse i medfør af EU-direktiv samt standarder for artikel  
 förklarar följande överensstämmelse enl. EU-direktiv och standarder för artikeln  
 vakuuttaa, että tuote täyttää EU-direktiivin ja standardien vaatimukset  
 töendab toote vastavust EL direktiivile ja standarditele  
 vydává následující prohlášení o shodě podle směrnice EU a norem pro výrobek  
 potrjuje sledečo skladnost s smernico EU in standardi za izdelek  
 vydáva nasledujúce prehlásenie o zhode podľa smernice EÚ a noriem pre výrobok  
 a cikkekhez az EU-irányvonal és Normák szerint a következő konformitást jelenti ki  
 deklaruje zgodność wymienionego poniżej artykułu z następującymi normami na podstawie dyrektywy WE.  
 декларира съответното съответствие съгласно Директива на ЕС и норми за артикул  
 paskaidro šādu atbilstību ES direktīvai un standartiem  
 apibūdina šj atitikimą EU reikalavimams ir prekės normoms  
 declară următoarea conformitate conform directivei UE și normelor pentru articolul  
 δηλώνει την ακόλουθη συμμόρφωση σύμφωνα με την Οδηγία ΕΚ και τα πρότυπα για το προϊόν  
 potvrđuje sljedeću usklađenost prema smjernicama EU i normama za artikl  
 potvrđuje sljedeću usklađenost prema smjernicama EU i normama za artikl  
 potvrđuje sledeću usklađenost prema smernicama EZ i normama za artikal  
 следующим удостоверяется, что следующие продукты соответствуют директивам и нормам ЕС  
 проголошує про зазначену нижче відповідність виробу директивам та стандартам ЄС на виріб  
 ja izjavува следната сообрзност согласно EУ-директивата и нормите за артикли  
 Ürünü ile ilgili AB direktifleri ve normları gereğince aşağıda açıklanan uygunluğu belirtir  
 erklærer følgende samsvar i henhold til EU-direktivet og standarder for artikkel  
 Lýsir uppfyllingu EU-reglna og annarra staða vöru

## Gasheizgebläse PGH 17 A1 (Powerfix)

- |   |  |
|---|--|
| <input type="checkbox"/> 87/404/EC_2009/105/EC            | <input type="checkbox"/> 2006/42/EC  |
| <input type="checkbox"/> 2005/32/EC_2009/125/EC           | <input type="checkbox"/> Annex IV<br>Notified Body:<br>Notified Body No.:<br>Reg. No.:   |
| <input checked="" type="checkbox"/> 2006/95/EC            |  |
| <input type="checkbox"/> 2006/28/EC                       |  |
| <input checked="" type="checkbox"/> 2004/108/EC           | <input type="checkbox"/> 2000/14/EC_2005/88/EC   |
| <input type="checkbox"/> 2004/22/EC                       | <input type="checkbox"/> Annex V   |
| <input type="checkbox"/> 1999/5/EC                        | <input type="checkbox"/> Annex VI<br>Noise: measured $L_{WA}$ = dB (A); guaranteed $L_{WA}$ = dB (A)<br>P = KW; L/Ø = cm<br>Notified Body: |
| <input type="checkbox"/> 97/23/EC                         |  |
| <input checked="" type="checkbox"/> 90/396/EC_2009/142/EC | <input type="checkbox"/> 2004/26/EC<br>Emission No.:   |
| <input type="checkbox"/> 89/686/EC_96/58/EC               |  |

Standard references: EN 1596; EN 55014-1; EN 55014-2; EN 61000-3-2; EN 61000-3-3;  
Prüf.-Nr. CE0085 BM0524 DVGW Bonn

Landau/Isar, den 21.03.2011

  
Brunhölzl/Leiter Produkt-Management


  
Landauer/Produkt-Management

First CE: 04  
Art.-No.: 23.304.48 I.-No.: 11011  
Subject to change without notice

Archive-File/Record: NAPR003893  
Documents registrar: Josef Landauer  
Wiesenweg 22, D-94405 Landau/Isar



# 17. GUARANTEE CERTIFICATE

## Dear Customer,

All of our products undergo strict quality checks to ensure that they reach you in perfect condition. In the unlikely event that your device develops a fault, please contact our service department at the address shown on this guarantee card. Of course, if you would prefer to call us then we are also happy to offer our assistance under the service number printed below. Please note the following terms under which guarantee claims can be made:

1. These guarantee terms cover additional guarantee rights and do not affect your statutory warranty rights. We do not charge you for this guarantee.
2. Our guarantee only covers problems caused by material or manufacturing defects, and it is restricted to the rectification of these defects or replacement of the device. Please note that our devices have not been designed for use in commercial, trade or industrial applications. Consequently, the guarantee is invalidated if the equipment is used in commercial, trade or industrial applications or for other equivalent activities. The following are also excluded from our guarantee: compensation for transport damage, damage caused by failure to comply with the installation/assembly instructions or damage caused by unprofessional installation, failure to comply with the operating instructions (e.g. connection to the wrong mains voltage or current type), misuse or inappropriate use (such as overloading of the device or use of non-approved tools or accessories), failure to comply with the maintenance and safety regulations, ingress of foreign bodies into the device (e.g. sand, stones or dust), effects of force or external influences (e.g. damage caused by the device being dropped) and normal wear resulting from proper operation of the device. This applies in particular to rechargeable batteries for which we nevertheless issue a guarantee period of 12 months.  
  
The guarantee is rendered null and void if any attempt is made to tamper with the device.
3. The guarantee is valid for a period of 3 years starting from the purchase date of the device. Guarantee claims should be submitted before the end of the guarantee period within two weeks of the defect being noticed. No guarantee claims will be accepted after the end of the guarantee period. The original guarantee period remains applicable to the device even if repairs are carried out or parts are replaced. In such cases, the work performed or parts fitted will not result in an extension of the guarantee period, and no new guarantee will become active for the work performed or parts fitted. This also applies when an on-site service is used.
4. In order to assert your guarantee claim, please send your defective device postage-free to the address shown below. Please enclose either the original or a copy of your sales receipt or another dated proof of purchase. Please keep your sales receipt in a safe place, as it is your proof of purchase. It would help us if you could describe the nature of the problem in as much detail as possible. If the defect is covered by our guarantee then your device will either be repaired immediately and returned to you, or we will send you a new device.

Of course, we are also happy offer a chargeable repair service for any defects which are not covered by the scope of this guarantee or for units which are no longer covered. To take advantage of this service, please send the device to our service address.

Einhell UK Ltd  
Morpeth Wharf  
Twelve Quays  
Birkenhead, Wirral  
**CH41 1LF**  
Tel. 0151 6491500, Fax 0151 6491501



IAN: 66769 PGH 17 A1  
**Einhell Germany AG**  
Wiesenweg 22  
D-94405 Landau/Isar

Last Information Update 06/2011 Ident.-No.: 23.304.48 062011 - 6

6 