

PARKSIDE

PDSS 310 A1



GB CY

PNEUMATIC IMPACT WRENCH

Operation and Safety Notes
Original operating instructions

GR CY

**ΚΡΟΥΣΤΙΚΟ ΚΑΤΣΑΒΙΔΙ
ΠΕΠΙΕΣΜΕΝΟΥ ΑΕΡΑ**

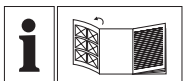
Υποδείξεις χειρισμού και ασφαλείας
Πρωτότυπες Οδηγίες χρήσης

DE AT CH

DRUCKLUFT-SCHLAGSCHRAUBER

Bedienungs- und Sicherheitshinweise
Originalbetriebsanleitung

7+



GB CY

Before reading, unfold the page containing the illustrations and familiarise yourself with all functions of the device.

GR CY

Πριν ξεκινήσετε την ανάγνωση, ανοίξτε τη σελίδα με τις εικόνες και εξοικειωθείτε με όλες τις λειτουργίες της συσκευής.

DE AT CH

Klappen Sie vor dem Lesen die Seite mit den Abbildungen aus und machen Sie sich anschließend mit allen Funktionen des Gerätes vertraut.

GB/CY	Operation and Safety Notes	Page	5
GR/CY	Υποδείξεις χειρισμού και ασφαλείας	Σελίδα	15
DE/AT/CH	Bedienungs- und Sicherheitshinweise	Seite	27

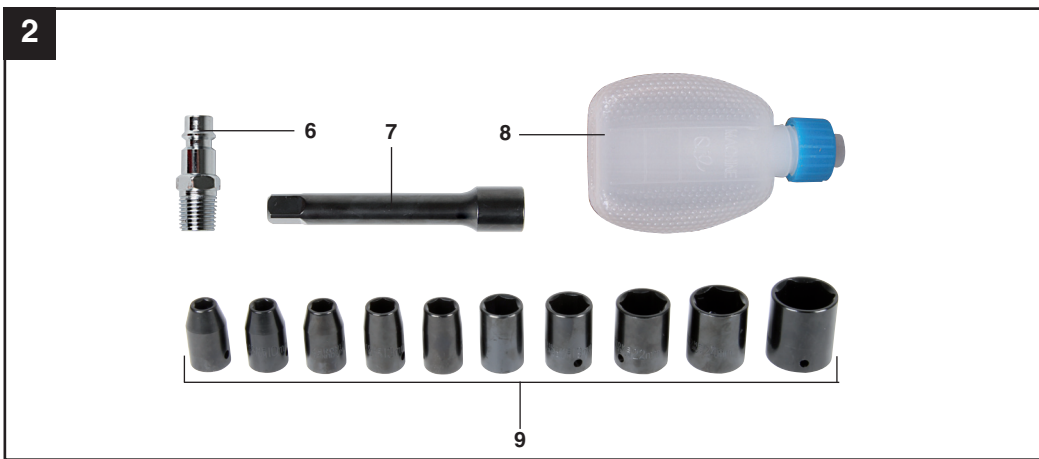






Table of contents:	Page
1. Introduction	7
2. Safety information	7-9
3. Layout	9
4. Items supplied	9
5. Intended use	9-10
6. Technical data	10-11
7. Starting up	11
8. Maintenance and care	11-12
9. Excluded from the guarantee	12
10. Cleaning and ordering of spare parts	12
11. Storage	12
12. Disposal and recycling	12
13. Declaration of conformity	13
14. Warranty certificate	14

The reprinting or reproduction by any other means, in whole or in part, of documentation and papers accompanying products is permitted only with the express consent of ISC GmbH.

Technical changes subject to change

GB/
CY

Additional safety instructions



“Caution - Read the operating instructions to reduce the risk of injury”



Wear ear-muffs.

The impact of noise can cause damage to hearing.



Wear safety goggles.

Sparks generated during working or splinters, chips and dust emitted by the device can cause loss of sight.

1. Introduction

⚠ Important.

When using the equipment, a few safety precautions must be observed to avoid injuries and damage. Please read the complete operating instructions and safety information with due care. Keep these operating instructions in a safe place so that the information is available at all times. If you give the equipment to any other person, hand over these operating instructions and the safety information as well. We cannot accept any liability for damage or accidents which arise due to a failure to follow these instructions and the safety information.

2. Safety information

⚠ CAUTION

Read all the safety regulations and instructions. Any errors made in following the safety information and instructions set out below may result in an electric shock, fire and/or serious injury.

Keep all safety information and instructions in a safe place for future use.

Protect yourself and your environment from accidents by taking the appropriate precautionary measures.

- Do not use the hammer screwdriver for purposes other than that for which it is designed.
- Keep children away from air tools.
- The equipment may only be operated by persons who are rested and concentrated.
- Connect the compressed air supply only over a quick fastener coupling.
- The working pressure must be set on the pressure reducer.
- Do not use oxygen or combustible gases as power source. Danger of fire and explosion.
- Do not exceed the maximum permissible operating pressure.
- Only operate the equipment with the pressure required for the relevant operation. This will help to prevent an unnecessarily high noise level, increased wear and resulting faults.
- Beware of whipping compressed air hoses. When releasing the hose coupling, be sure to hold the hose coupling piece with your hand to protect yourself against injury from the rebounding hose.
- Wear the necessary protective clothing, in particular impact-proof safety goggles, ear muffs and safety gloves, when working with the hammer screwdriver.
- There is a risk of injury from splinters which may be catapulted away at high speed if the installed tool (connector) breaks.
- Make sure that the workpiece is fixed securely.
- Wear suitable clothes. Never wear loose fitting clothes or jewelry. Keep hair, clothing and gloves away from moving parts. Loose-fitting clothing and gloves, jewelry or long hair may be caught by moving parts and cause serious injury.
- Keep your hands away from rotating parts. Never hold the drive, the tool attachment or the extension.
- Rotating parts may catch on slightly rubberized or metal-reinforced gloves.
- Never wear frayed gloves
- Using this equipment can cause bruises, grazes, cuts and burns. Wear suitable gloves.
- The user must be physically capable of operating the equipment.
- Unexpected movements of the hammer screwdriver caused by feedback forces or damage of the installed tools may cause injuries.
- An unexpected movement of the installed tool can cause a dangerous situation.
- Avoid abnormal working postures. Ensure that you are standing securely and always keep your balance to be able to react to the normal or unexpected movements of the hammer screwdriver due to feedback forces.
- Let go of the trigger lever (2) if the air supply is interrupted.
- Never operate the equipment in areas with

**GB/
CY**

limited space. Take care not to jam your fingers between the equipment and the workpiece. This applies in peculiar when loosening screw connections.

- Working with the equipment can result in disorders in the hands, arms, shoulders, neck and other parts of the body.
- Before carrying out repairs and maintenance work or changing and adjusting tools, disconnect the equipment from the compressed air source.
- Use only original replacement parts.
- Only use adapters and attachments that are in good condition and intended for use with the hammer screwdriver.
- Do not use any defective items of equipment.
- Slipping, stumbling and falling are the main reasons for injuries at the workplace. Beware of slippery surfaces which result from using the equipment and also beware of tripping over the air hose.
- Beware of hidden dangers such as electric cables. Ensure that no electrical cables or water pipes are damaged when working with the equipment.
- This equipment is not insulated against contact with an electric cable. It is vital to avoid all contact with electric cables.
- Do not use the hammer screwdriver in a potentially explosive atmosphere.
- Dust may be a health hazard for the person operating the equipment. This applies to dust being created and whirled up during the operation of the equipment. Depending on the material you wish to process, dusts and gases may arise that are a health hazard for the user (for example causing cancer, birth defects, asthma and / or dermatitis).
Wear a breathing mask.
- Make sure that escaping air whirls up as little dust as possible.
- Noise can cause permanent damage to your hearing. Unprotected exposure to high levels of noise can result in loss of hearing and other problems such as tinnitus (ringing, buzzing, whistling or droning noises in your ears). Wear ear-muffs. To keep noise and vibration levels as low as possible, follow the maintenance and operating instructions in the manual. If required by the particular situation, vibration-damping material used as an intermediate layer can also reduce noise.
- Only use suitable plug-on attachments.
- Vibrations can be transferred to the whole body, particularly the arms and hands. Very strong and continuous vibrations can cause neural and vascular disorders. Regular work breaks will minimize the risk of disorders caused by vibrations.
- Hold the equipment with a light but secure grip, noting the reaction forces which arise in the process. The risk of disorders caused by vibrations is always greater with a tight grip.
- Wear warm clothing when you work in cold surroundings. Keep your hands warm and dry.
- If you suffer pains or repeat symptoms while using the equipment, do not ignore them but consult a doctor.
- Do not let cold air flow over your hands.
- Compressed air can cause serious injuries.
- Never direct escaping compressed air at yourself or at any other person.
- Disconnect the compressed air coupling and depressurize the equipment before you service, repair or transport the equipment and before you change tools.
- Do not carry compressed air tools by their hose.
- Never allow the tool to run unloaded at full idle speed for an extended period of time.
- The compressor and lines can become very hot during operation. Touching these parts will burn you.
- The gas and steam sucked in by the compressor must be kept free of impurities that could cause fires or explosions in the compressor.
- Keep your hands away from the installed tool (connector), to prevent injuries.
- Only qualified and trained persons are allowed to use this equipment.
- Do not modify this equipment. Modifications can impair the effect of the safety devices and therefore increase the potential danger

for the user.

- Make the operating instructions available to every user.
- Check the rating plate and markings on the equipment regularly for legibility. If there is any damage, contact our Service Center.
- Use and service the equipment as recommended in the operating instructions. This will help you to minimize dust, gas, noise and vibrations.
- If dust or gas arises, they must be checked as a priority at the moment they arise.
- Select, service and use the consumables / plug-in tools as recommended in the operating instructions. This will help you to prevent unnecessary dust, gas, noise and vibrations. Stop using the equipment if you experience numbness, tingling, pain or whitening of the skin on your fingers or hands and consult a doctor.
- Whipping hoses may cause serious injuries. Always check the equipment for damaged or loose hoses and connections.
- Do not use any quick-lock couplings at the air inlet. Use hose connections with a hardened steel thread (or a material with comparable resistance to vibrations).
- If universal rotary couplings (claw couplings) are used, lock pins must be installed and a retention system for compressed air hoses used in order to protect against possible faulty connections (“hose to tool” or “hose to hose”).

3. Layout (Fig. 1/2)

1. Setting screw (torque)
2. Trigger lever
3. Reverse facility (clockwise/counter-clockwise)
4. Square driver mount for connector
5. Adjusting screw
6. Nipple
7. Extension attachment
8. Special compressed air oil
9. Plug-on attachments (sizes: 9 mm, 10 mm, 11 mm, 13 mm, 14 mm, 17 mm, 19 mm, 22 mm, 24 mm, 27 mm)

4. Items supplied

- Open the packaging and take out the equipment with care.
- Remove the packaging material and any packaging and/or transportation braces (if available).
- Check to see if all items are supplied.
- Inspect the equipment and accessories for transport damage.
- If possible, please keep the packaging until the end of the guarantee period.

IMPORTANT

The equipment and packaging material are not toys. Do not let children play with plastic bags, foils or small parts. There is a danger of swallowing or suffocating!

- Air hammer screwdriver
- Nipple
- Extension attachment
- Special compressed air oil
- Plug-on attachments (10 items)
- Original operating instructions

5. Intended use

The hammer screwdriver is a handy, pneumatically operated tool designed for DIY applications and in the automotive field. It is suitable for fastening and releasing threaded connections on motor vehicles (fitting tyres, etc.), as well as in the agricultural sector.

The exhaust air emerges via the trigger lever (2) towards the bottom.

The plug-on attachments (9) can be changed easily and quickly. The compressed air supply is connected via a nipple and a quick-lock coupling.

The equipment is to be used only for its prescribed purpose. Any other use is deemed to be a case of misuse. The user/operator and not the manufacturer will be liable for any damage or injuries of any kind caused as a result of this.

GB/
CY

Please note that our equipment has not been designed for use in commercial, trade or industrial applications. Our warranty will be voided if the equipment is used in commercial, trade or industrial businesses or for equivalent purposes. Only allow repairs and services to be carried out by authorized professional repair shops.

Remember.

Too small a diameter of the hose and too long a hose line will result in loss of power.

6. Technical data

Max. loosening torque	310 Nm
Working range (max. thread size)	M14
Max. permitted operating pressure	6.3 bar
Idling speed	7,000 min ⁻¹
Square drive mount	12.7 mm (1/2 inch)
Air consumption at 4.0/6.3 bar	210/310 l/min
Recommended hose diameter	Ø 10 mm
Recommended hose length	10 m
Weight	2.2 kg

Sound and vibration

Sound and vibration values were measured in accordance with ISO 15744 and ISO 28927-2.

L _{pA} sound pressure level	84.4 dB(A)
K _{pA} uncertainty	3 dB
L _{WA} sound power level	95.4 dB(A)
K _{WA} uncertainty	3 dB

Wear ear-muffs.

The impact of noise can cause damage to hearing.

Vibrations

Vibration emission value $a_h = 3.3 \text{ m/s}^2$

K uncertainty = 0.82 m/s^2

Additional information**Warning!**

The specified vibration value was established in accordance with a standardized testing method. It may change according to how the equipment is used and may exceed the specified value in exceptional circumstances.

The specified vibration value can be used to compare the equipment with another tool.

The specified vibration value can be used for initial assessment of a harmful effect.

Reduce noise generation and vibration to a minimum!

- Use only equipment that is in perfect condition.
- Maintain and clean the equipment regularly.
- Adopt your way of working to the equipment.
- Do not overload the equipment.
- Have the equipment checked if necessary.
- Switch off the equipment when not in use.
- Wear gloves.

Residual risks

Even if you use the equipment in accordance with the instructions, certain residual risks cannot be eliminated. The following hazards may arise in connection with the equipment's construction and layout:

1. Damage to hearing if no suitable ear protection is used.
2. Health damage caused by hand-arm vibrations if the equipment is used over a longer period or is not properly guided and maintained.

Air supply:

Via a compressed air source with pressure setting function, e.g. a compressor. Before starting up, please also read section 8 "Care and maintenance".

Performance values of the compressor:

The compressor used should have a tank volume of at least 50 liters and a motor rating of approx. 2.2 kW.

Setting values for work with the suction spray gun:

Set a maximum working pressure of 6.3 bar at your compressed air supply.

Remember:

Wear the necessary protective clothing, in particular safety goggles, when working with the screwdriver.

Pay attention to the safety regulations.

7. Starting up (Fig. 3)

Screw the supplied nipple (6) into the air connection after you have wound 2-3 layers of sealing tape around the thread. Plug the required plug-on attachment (9) on the square drive mount.

Select the correct direction of rotation with the reverse facility (3). R = counter-clockwise / loosen screw, F = clockwise / tighten screw. Insert the plug-on attachments onto the screw head.

Activate the trigger lever (2). By pressing down and turning the air setting screw (1) at the same time, the air supply can be regulated. **Mark 4 = max. torque, mark 1 = min. torque.** The connection to the compressed air source is established via a flexible compressed air hose with quick-lock coupling. Your hammer screwdriver will perform best when equipped with a compressed air hose size 10 mm.

Important.

- In case of very tight or rusted wheel nuts, use a wheel spider or a torque wrench to loosen the wheel nut.
- Only use the hammer screwdriver for loosening screws and nuts. If you wish to use the hammer screwdriver to tighten screws and nuts, you must also use the torque limiter which is designed for this purpose. If not, the screw connection may

be damaged. The torque limiter is available from your dealer. It is not included in the scope of this delivery.

- It is important that screws and nuts with special torque specifications (for example provided by the vehicle manufacturer in the automotive sector) are tightened only with a suitable torque limiter.

8. Maintenance and care

Important: Disconnect the equipment from the compressed air supply before you carry out any maintenance or cleaning work.

Compliance with the maintenance instructions listed here will help this quality product provide you with a long service life and trouble-free operation.

Regular lubrication is essential for your hammer screwdriver to work properly for a prolonged period of time. Use only special compressed air oil as supplied. Special compressed air oil is also available from your dealer. Regularly check the speed and the vibration level by simply observing the tool.

Note: Use environmentally friendly compressed air oil if you want to operate the equipment outside the workshop.

The following lubrication options are available:

8.1 Lubrication by mist oiler

Connect a complete conditioning unit with mist oiler between the compressed air source and the chisel hammer. A conditioning unit is available from your dealer. It is not included in the scope of this delivery.

8.2 Lubrication by hand

Each time before using the compressed air tool insert 3-5 drops of special compressed air oil into the compressed air connection. If the compressed air tool has not been used for several days you must insert 5-10 drops of special compressed air oil into the compressed air connection before switching on.

**GB/
CY**

Store your compressed air tool only in a dry room.

8.3 Adjusting the resistance of the reverse facility (3)

By turning the adjustment screw (5) you can adjust the resistance when using the reverse facility (3). The reverse facility is set optimally at the factory and must not be adjusted before using the equipment for the first time.

8.4 Other maintenance

No maintenance work needs to be carried out on the inside of the equipment and at position (A) as shown in Figure 4.

9. Excluded from the guarantee are:

- Wear parts
- Damage caused by too much operating pressure.
- Damage caused by non-conditioned compressed air.
- Damage caused by improper use or unauthorized intervention.

10. Cleaning and ordering of spare parts

10.1 Cleaning

- Keep all safety devices, air vents and the motor housing free of dirt and dust as far as possible. Wipe the equipment with a clean cloth or blow it down with compressed air at low pressure.
- We recommend that you clean the equipment immediately after you use it.
- Clean the equipment regularly with a damp cloth and some soft soap. Do not use cleaning agents or solvents; these may be aggressive to the plastic parts in the equipment. Ensure that no water can get into the interior of the equipment.

10.2 Ordering replacement parts:

Please provide the following information on all orders for spare parts:

- Model/type of the equipment
- Article number of the equipment
- ID number of the equipment

For our latest prices and information please go to www.isc-gmbh.info

11. Storage

Store the equipment and accessories out of children's reach in a dark and dry place at above freezing temperature. The ideal storage temperature is between 5 and 30 °C. Store the equipment in its original packaging.

12. Disposal and recycling

The equipment is supplied in packaging to prevent it from being damaged in transit. The raw materials in this packaging can be reused or recycled. The equipment and its accessories are made of various types of material, such as metal and plastic. Defective components must be disposed of as special waste. Ask your dealer or your local council.

13. Declaration of conformity

Einhell Germany AG · Wiesenweg 22 · D-94405 Landau/Isar



Konformitätserklärung

- (C)** erklärt folgende Konformität gemäß EU-Richtlinie und Normen für Artikel
- (EN)** explains the following conformity according to EU directives and norms for the following product
- (F)** déclare la conformité suivante selon la directive CE et les normes concernant l'article
- (I)** dichiara la seguente conformità secondo la direttiva UE e le norme per l'articolo
- (NL)** verklaart de volgende overeenstemming conform EU richtlijn en normen voor het product
- (E)** declara la siguiente conformidad a tenor de la directiva y normas de la UE para el artículo
- (P)** declara a seguinte conformidade, de acordo com a directiva CE e normas para o artigo
- (DK)** atterer følgende overensstemmelse i medfør af EU-direktiv samt standarder for artikel
- (S)** förklarar följande överensstämmelse enl. EU-direktiv och standarder för artikeln
- (FIN)** vakuuttaa, että tuote täyttää EU-direktiivin ja standardien vaatimukset
- (EL)** төэндab тооте vastavust EL direktiivile ja standarditele
- (CZ)** vydává následující prohlášení o shodě podle směrnice EU a norem pro výrobek
- (SK)** potvrduje sledečo skladnosť s smernico EU in standardi za izdelek
- (HU)** vydáva nasledujúce prehlásenie o zhode podľa smernice EÚ a noriem pre výrobok
- (H)** a cikkekez az EU-irányvonal és Normák szerint a következő konformitást jelenti ki
- (PL)** deklaruje zgodność wymienionego poniżej artykułu z następującymi normami na podstawie dyrektywy WE.
- (BG)** декларира съответното съответствие съгласно Директива на ЕС и норми за артикул
- (HR)** paskaidro šadu atbilstību ES direktīvai un standartiem
- (LV)** apibūdina šj atitikimą EU reikalavimams ir prekės normoms
- (RO)** declară următoarea conformitate conform directivei UE și normelor pentru articolul
- (GR)** δηλώνει την ακόλουθη συμμόρφωση σύμφωνα με την Οδηγία ΕΚ και τα πρότυπα για το προϊόν
- (SI)** potrđuje sljedeću usklađenost prema smjernicama EU i normama za artikl
Izjava o sukladnosti za ovaj proizvod dostupna je na internet stranici www.lidl.hr.
- (MT)** potrđuje sljedeću usklađenost prema smjernicama EU i normama za artikl
- (CY)** potrđuje sledeću usklađenost prema smernicama EZ i normama za artikal
- (BG)** следующим удостоверяется, что следующие продукты соответствуют директивам и нормам ЕС
- (HU)** proglóshuє pro zaznachuє nižčuє vđpovđdnđst' vđrobu dđrektívam ta standartam ES na vđrđb
- (PL)** Źrđnđ ule ilgili AB direktifleri ve normları geređince ařađıda ađıklanan uygunluđu belirtir
- (C)** erklærer følgende samsvar i henhold til EU-direktivet og standarder for artikkel
- (IS)** Lýsir uppfyllingu EU-reglna og annarra stađa vđru

Druckluft-Schlagschrauber PDSS 310 A1 (Parkside)

- 87/404/EC_2009/105/EC
- 2005/32/EC_2009/125/EC
- 2006/95/EC
- 2006/28/EC
- 2004/108/EC
- 2004/22/EC
- 1999/5/EC
- 97/23/EC
- 90/396/EC_2009/142/EC
- 89/686/EC_96/58/EC
- 2006/42/EC
- Annex IV
Notified Body:
Notified Body No.:
Reg. No.:
- 2000/14/EC_2005/88/EC
- Annex V
- Annex VI
Noise: measured L_{WA} = dB (A); guaranteed L_{WA} = dB (A)
P = KW; L \varnothing = cm
Notified Body:
- 2004/26/EC
Emission No.:

Standard references: EN ISO 11148-6

Landau/Isar, den 20.04.2011

Weichselgartner/General Manager

Wang/Product-Management

First CE: 11
Art.-No.: 41.389.45 I.-No.: 11011
Subject to change without notice

Archive-File/Record: NAPR003588
Documents registrar: Siegfried Roider
Wiesenweg 22, D-94405 Landau/Isar

14. WARRANTY CERTIFICATE

Dear Customer,

All of our products undergo strict quality checks to ensure that they reach you in perfect condition. In the unlikely event that your device develops a fault, please contact our service department at the address shown on this guarantee card. Of course, if you would prefer to call us then we are also happy to offer our assistance under the service number printed below. Please note the following terms under which guarantee claims can be made:

1. These guarantee terms cover additional guarantee rights and do not affect your statutory warranty rights. We do not charge you for this guarantee.
2. Our guarantee only covers problems caused by material or manufacturing defects, and it is restricted to the rectification of these defects or replacement of the device. Please note that our devices have not been designed for use in commercial, trade or industrial applications. Consequently, the guarantee is invalidated if the equipment is used in commercial, trade or industrial applications or for other equivalent activities. The following are also excluded from our guarantee: compensation for transport damage, damage caused by failure to comply with the installation/assembly instructions or damage caused by unprofessional installation, failure to comply with the operating instructions (e.g. connection to the wrong mains voltage or current type), misuse or inappropriate use (such as overloading of the device or use of non-approved tools or accessories), failure to comply with the maintenance and safety regulations, ingress of foreign bodies into the device (e.g. sand, stones or dust), effects of force or external influences (e.g. damage caused by the device being dropped) and normal wear resulting from proper operation of the device. This applies in particular to rechargeable batteries for which we nevertheless issue a guarantee period of 12 months.

The guarantee is rendered null and void if any attempt is made to tamper with the device.
3. The guarantee is valid for a period of 3 years starting from the purchase date of the device. Guarantee claims should be submitted before the end of the guarantee period within two weeks of the defect being noticed. No guarantee claims will be accepted after the end of the guarantee period. The original guarantee period remains applicable to the device even if repairs are carried out or parts are replaced. In such cases, the work performed or parts fitted will not result in an extension of the guarantee period, and no new guarantee will become active for the work performed or parts fitted. This also applies when an on-site service is used.
4. In order to assert your guarantee claim, please send your defective device postage-free to the address shown below. Please enclose either the original or a copy of your sales receipt or another dated proof of purchase. Please keep your sales receipt in a safe place, as it is your proof of purchase. It would help us if you could describe the nature of the problem in as much detail as possible. If the defect is covered by our guarantee then your device will either be repaired immediately and returned to you, or we will send you a new device.

Of course, we are also happy offer a chargeable repair service for any defects which are not covered by the scope of this guarantee or for units which are no longer covered. To take advantage of this service, please send the device to our service address.

EINHELL Hellas A. E.
Lasithiou Str. 4
14342 Nea Philadelphia
Tel. 0210 2776871 · Fax 0210 2776871

Περιεχόμενα	Σελίδα
1. Εισαγωγή	17
2. Υποδείξεις ασφαλείας	17-19
3. Περιγραφή συσκευής	20
4. Συμπαραδιδόμενα	20
5. Ενδεικτική χρήση	20
6. Τεχνικά χαρακτηριστικά	21-22
7. Θέση σε λειτουργία	22
8. Συντήρηση και περιποίηση	22-23
9. Από την εγγύηση αποκλείονται	23
10. Καθαρισμός και παραγγελία ανταλλακτικών	23
11. Αποθήκευση	23
12. Διάθεση στα απορρίμματα και ανακύκλωση	24
13. Δήλωση συμμόρφωσης	25
14. Εγγύηση	26

Η ανατύπωση ή άλλη αναπαραγωγή τεκμηριώσεων και συνοδευτικών φυλλαδίων των προϊόντων της εταιρείας, ακόμη και σε αποσπάσματα, επιτρέπεται μόνο μετά από ρητή έγκριση της εταιρείας ISC GmbH.

Ο κατασκευαστής διατηρεί το δικαίωμα τεχνικών αλλαγών

GR/
CY

Πρόσθετες υποδείξεις ασφαλείας



ΠΡΟΕΙΔΟΠΟΙΗΣΗ – Για την ελάττωση του κινδύνου τραυματισμών να διαβάσετε τις Οδηγίες χρήσης



Να χρησιμοποιείτε ωτοασπίδες.

Η επίδραση του θορύβου μπορεί να προκαλέσει την απώλεια της ακοής.



Να φοράτε οπωσδήποτε προστατευτικά γυαλιά.

Οι σπινθήρες που δημιουργούνται κατά την εργασία ή τα εκσφενδονιζόμενα κομμάτια, ροκανίδια και σκόνες μπορούν να προκαλέσουν απώλεια της όρασης.

1. Εισαγωγή

⚠ Προσοχή!

Κατά τη χρήση των συσκευών πρέπει, προς αποφυγή τραυματισμών, να τηρούνται και να λαμβάνονται ορισμένα μέτρα ασφαλείας. Διαβάστε για το λόγο αυτό προσεκτικά τις Οδηγίες χρήσης / Υποδείξεις ασφαλείας. Φυλάξτε τις καλά για να έχετε τις πληροφορίες πάντα στη διάθεσή σας. Εάν παραδώσετε τη συσκευή σε άλλα άτομα, δώστε μαζί και αυτές τις Οδηγίες χρήσης / Υποδείξεις ασφαλείας. Δεν αναλαμβάνουμε καμία ευθύνη για ατυχήματα ή βλάβες που οφείλονται σε μη τήρηση αυτών των Οδηγιών χρήσης και των Υποδείξεων ασφαλείας.

2. Υποδείξεις ασφαλείας

⚠ ΠΡΟΕΙΔΟΠΟΙΗΣΗ

Διαβάστε όλες τις Υποδείξεις ασφαλείας και τις Οδηγίες. Σε περίπτωση παραλείψεων κατά την τήρηση των Υποδείξεων ασφαλείας μπορεί να προκληθεί ηλεκτροπληξία, πυρκαγιά και/ή σοβαροί τραυματισμοί.
Φυλάξτε για μελλοντική χρήση όλες τις Υποδείξεις ασφαλείας και τις οδηγίες.

Προστατέψτε τον εαυτό σας και το περιβάλλον με κατάλληλα μέτρα προστασίας από κινδύνους ατυχημάτων.

- Μην χρησιμοποιείτε το κρουστικό κατσαβίδι για εργασίες για τις οποίες δεν προορίζεται.
- Να κρατάτε τα αεροεργαλεία μακριά από παιδιά.
- Να εργάζεστε μόνο όταν είστε συγκεντρωμένοι και ξεκούραστοι.
- Ρακόρ πεπιεσμένου αέρα μόνο μέσω ταχυσύνδεσμου.
- Η ρύθμιση της πίεσης εργασίας να γίνεται μέσω ρυθμιστή πίεσης.
- Σαν πηγή ενέργειας μη χρησιμοποιείτε οξυγόνο ή εύφλεκτα αέρια. Υφίσταται κίνδυνος πυρκαγιάς και έκρηξης.
- Να μη γίνεται υπέρβαση της μέγιστης επιτρεπτής πίεσης εργασίας.
- Να χρησιμοποιείτε τη συσκευή μόνο με την για την εκάστοτε εργασία απαιτούμενη πίεση προς αποφυγή άσκοπης υψηλής στάθμης θορύβου, αυξημένης φθοράς και πρόκλησης βλάβης.
- Προσοχή στους εκτιναζόμενους σωλήνες πεπιεσμένου αέρα. Κατά το χαλάρωμα του ταχυσύνδεσμου να κρατάτε με το χέρι το τμήμα του σωλήνα με το σύνδεσμο ώστε να αποφύγετε ενδεχόμενους τραυματισμούς από σωλήνα που ξεπετιέται προς τα πίσω.
- Κατά την εργασία με το κρουστικό κατσαβίδι να χρησιμοποιείτε τα εκάστοτε απαιτούμενα προστατευτικά ρούχα, ιδιαίτερα άθραυστα προστατευτικά γυαλιά, ωτοασπίδες και προστατευτικά γάντια.
- Υφίσταται κίνδυνος τραυματισμού από θρίμμата που σε περίπτωση θραύσης του χρησιμοποιούμενου εργαλείου (καρुδάκι) εκτοξεύονται με μεγάλη ταχύτητα.
- Σιγουρευτείτε πως έχει ασφαλιστεί καλά το αντικείμενο που επεξεργάζεστε.
- Να φοράτε πάντα τον κατάλληλο ρουχισμό εργασίας. Μη φοράτε φαρδιά ρούχα ή κοσμήματα. Να κρατάτε τα μαλλιά, τα ρούχα και τα γάντια μακριά από κινούμενα εξαρτήματα. Τα φαρδιά ρούχα, τα κοσμήματα ή τα μακριά μαλλιά θα μπορούσαν να πιαστούν από τα κινούμενα εξαρτήματα και να προκαλέσουν σοβαρούς τραυματισμούς.
- Να κρατάτε τα χέρια σας μακριά από περιστρεφόμενα τμήματα. Μην κρατάτε ποτέ το σύστημα μετάδοσης, το χρησιμοποιούμενο εργαλείο ή την επέκταση.
- Τα περιστρεφόμενα τμήματα μπορεί να πιάσουν τα λαστιχένια ή τα με μέταλλο ενισχυμένα γάντια.
- Μη φοράτε ξεφτισμένα γάντια.
- Η χρήση της συσκευής μπορεί να προκαλέσει θλάσεις, εκδορές, τραύματα και εγκαύματα. Να φοράτε τα κατάλληλα γάντια που ταιριάζουν στα χέρια σας.
- Ο χρήστης πρέπει να είναι σωματικά σε θέση να χειριστεί τη συσκευή.

GR/
CY

- Απρόοπτες κινήσεις του κρουστικού καταβιδιού εξαιτίας αντιδραστικών δυνάμεων ή θραύσης του χρησιμοποιούμενου εργαλείου μπορούν να προκαλέσουν τραυματισμούς.
- Μία αναπάντεχη κίνηση του χρησιμοποιούμενου εργαλείου μπορεί να προκαλέσει μία απρόβλεπτη κατάσταση.
- Να αποφεύγετε τη μη φυσιολογική στάση του σώματος. Φροντίστε την ευστάθειά σας και την ισορροπία σας για να είστε σε θέση να αντιμετωπίσετε τις κανονικές ή απρόβλεπτες κινήσεις του κρουστικού καταβιδιού πεπιεσμένου αέρα σε περίπτωση αντιδραστικών δυνάμεων.
- Σε περίπτωση διακοπής της παροχής του αέρα, αφήστε ελεύθερο το μοχλό της σκανδάλης (2).
- Μη χρησιμοποιείτε τη συσκευή όταν δεν έχετε αρκετό χώρο για τη χρήση της. Προσέξτε να μην πιαστούν τὰ δάκτυλά σας ανάμεσα στη συσκευή και στο κατεργαζόμενο αντικείμενο. Αυτό ισχύει ιδιαίτερα στο λασκάρισμα των βιδωτών συνδέσμων.
- Η εργασία με τη συσκευή μπορεί να προκαλέσει ενοχλήσεις στα χέρια, μπράτσα, στους ώμους, στο σβέρκο και σε άλλα σημεία του σώματος.
- Πριν από την αποκατάσταση βλαβών, την αλλαγή εργαλείου και τις εργασίες ρύθμισης και συντήρησης να βγάζετε το φιλτράρισμα της συσκευής από την παροχή πεπιεσμένου αέρα.
- Να χρησιμοποιείτε μόνο γνήσια ανταλλακτικά.
- Να χρησιμοποιείτε μόνο αντάπτες και εργαλεία που είναι σε καλή κατάσταση και προβλέπονται για τη χρήση με το κρουστικό καταβίδι.
- Μη χρησιμοποιείτε ελαττωματικές συσκευές.
- Οι συχνότεροι τραυματισμοί κατά την εργασία είναι γλίστρημα, σκόνταμα και πτώσεις. Να προσέχετε τις ολισθηρές επιφάνειες που οφείλονται στη χρήση του εργαλείου και να προσέχετε να μην μπερδευτείτε στο σωλήνα του αέρα.
- Να προσέχετε τους όχι εμφανείς κινδύνους όπως τους ηλεκτρικούς αγωγούς. Να προσέχετε κατά τη χρήση της συσκευής να μη καταστρέψετε ηλεκτρικούς αγωγούς ή αγωγούς νερού.
- Αυτή η συσκευή δεν είναι μονωμένη σε περίπτωση επαφής με ηλεκτρικό αγωγό. Να αποφεύγετε οπωσδήποτε κάθε επαφή με ηλεκτρικούς αγωγούς.
- Μην χρησιμοποιείτε το κρουστικό καταβίδι σε εκρηκτική ατμόσφαιρα.
- Οι σκόνες μπορεί να είναι επιβλαβείς για την υγεία ατόμων. Αυτό ισχύει για τις σκόνες που δημιουργούνται κατά την κατεργασία. Ανάλογα με το υλικό που επεξεργάζεστε μπορεί οι σκόνες και τα αέρια να είναι επικίνδυνα για τον χειριστή (π. χ. καρκίνο, επίδραση στο έμβρυο, άσθμα και/ή δερματίτιδα). Να χρησιμοποιείτε μάσκα προστασίας από σκόνη.
- Να προσέχετε ο εξερχόμενος αέρα να κινεί όσο λιγότερη σκόνη γίνεται.
- Οι εκπνεόμενοι θόρυβοι μπορεί να προκαλέσουν μόνιμες βλάβες της υγείας. Η έκθεση χωρίς προστασία σε υψηλές στάθμες θορύβου μπορεί να προκαλέσει την απώλεια της ακοής όπως εμβοές (κουδουνισμό, σφύριγμα ή βουητά στα αυτιά). Να χρησιμοποιείτε ωτοασπίδες. Για να κρατήσετε τον δημιουργούμενο θόρυβο και τις δονήσεις σε όσο πιο χαμηλά επίπεδα γίνεται, ακολουθήστε τις υποδείξεις συντήρησης και εφαρμογής που θα βρείτε στις οδηγίες χρήσης. Υλικό απόσβεσης θορύβων σαν ενδιάμεση στρώση, μπορεί ανάλογα με την περίπτωση, να ελαττώσει επίσης το θόρυβο.
- Να χρησιμοποιείτε τα κατάλληλα εργαλεία για την κατεργασία.
- Οι δονήσεις μπορούν να μεταδοθούν σε όλο το σώμα και ειδικά σε μπράτσα και χέρια. Οι πολύ ισχυρές και μεγάλης διάρκειας δονήσεις μπορεί να προκαλέσουν βλάβες στα νεύρα και τα αγγεία. Τα τακτικά διαλείμματα μειώνουν τον κίνδυνο βλάβης της υγείας που προκαλείται από δονήσεις.
- Να κρατάτε τη συσκευή πιάνοντάς την με ασφαλή τρόπο και να προσέχετε ενδεχόμενες δυνάμεις αντίκρουσης. Ο

- κίνδυνος ενοχλήσεων από δονήσεις είναι μεγαλύτερος όταν κρατάτε τη συσκευή πολύ σφικτά.
- Να φοράτε ζεστά ρούχα όταν εργάζεστε σε κρύο περιβάλλον. Να κρατάτε τα χέρια σας ζεστά και στεγνά.
 - Εάν κατά τη χρήση της συσκευής παρουσιαστούν πόνοι ή επαναλαμβανόμενα συμπτώματα, μη τα αγνοήσετε, αλλά συμβουλευθείτε έναν γιατρό.
 - Μην αφήνετε κρύο ρεύμα αέρα να περάσει στα χέρια σας.
 - Ο πεπιεσμένος αέρας μπορεί να προκαλέσει σοβαρά τραύματα.
 - Μην τείνετε τον εξερχόμενο πεπιεσμένο αέρα προς άλλα πρόσωπα ή προς τον εαυτό σας.
 - Διακόψτε την παροχή πεπιεσμένου αέρα και αποπιέστε τη συσκευή πριν από εργασίες συντήρησης, επισκευής και πριν από μεταφορά ή αλλαγή του εργαλείου.
 - Μην μεταφέρετε τα εργαλεία αέρα κρατώντας τα από το σωλήνα.
 - Μην λειτουργείτε τη μηχανή χωρίς φορτίο με πλήρη αριθμό στροφών κενού για περισσότερο χρονικό διάστημα.
 - Οι αντλίες συμπύκνωσης και οι αγωγοί φτάνουν κατά τη λειτουργία ψηλές θερμοκρασίες. Επαφή μπορεί να προκαλέσει εγκαύματα.
 - Τα από τον συμπυκνωτή αναρροφώμενα αέρια και οι ατμοί να τηρούνται ελεύθεροι/α από πρόσθετες ουσίες που θα μπορούσαν να προξενήσουν στον συμπυκνωτή πυρκαγιές και εκρήξεις.
 - Να κρατάτε τα χέρια σας μακριά από το χρησιμοποιούμενο εργαλείο (καρυδάκι) ώστε να αποφύγετε ενδεχόμενους τραυματισμούς.
 - Η χρήση της συσκευής αυτής επιτρέπεται μόνο σε εξειδικευμένα και ειδικά εκπαιδευμένα άτομα.
 - Μην τροποποιείτε τη συσκευή αυτή. Κάθε επέμβαση μπορεί να μειώσει την ασφάλεια και να αυξήσει τον κίνδυνο για τον χρήστη.
 - Να δίνετε τις οδηγίες χρήσης σε κάθε άτομο που χρησιμοποιεί τη συσκευή.
 - Να ελέγχετε τακτικά την πινακίδα στοιχείων και τις σημάνσεις στη συσκευή εάν είναι ευκρινείς και σε περίπτωση που έχουν υποστεί ζημιά, επικοινωνήστε με το κέντρο μας εξυπηρέτησης πελατών.
 - Να χρησιμοποιείτε και να συντηρείτε τη συσκευή όπως συνιστάται στις οδηγίες χρήσης, ώστε να ελαχιστοποιείτε τη δημιουργία σκόνης ή αερίων, θορύβου και δονήσεων.
 - Εκεί που δημιουργείται σκόνη είναι πολύ σημαντικό να ελέγχεται τη στιγμή που δημιουργείται.
 - Να επιλέγετε, να συντηρείτε και να αντικαταστήτε τα αναλώσιμα/εργαλεία όπως περιγράφεται στις οδηγίες χρήσης ώστε να αποφεύγεται η αύξηση δημιουργίας σκόνης/αερίων, θορύβου και δονήσεων. Να διακόπτετε τη χρήση της συσκευής σε περίπτωση μούδιασματος ή πόνων ή όταν το δέρμα στα δάκτυλα και χέρια πάρει πιο ανοικτό χρώμα και συμβουλευθείτε έναν γιατρό.
 - Εκσφενδονιζόμενοι σωλήνες μπορούν να προκαλέσουν σοβαρούς τραυματισμούς. Να ελέγχετε πάντα τους ελαττωματικούς ή χαλαρούς σωλήνες και συνδέσμους.
 - Μη χρησιμοποιείτε ταχυσυνδέσμους στην είσοδο του αέρα. Να χρησιμοποιείτε συνδέσμους σωλήνα με σπείρωμα από σκληρυμένο ατσάλι (ή από υλικό με παρόμοια αντίσταση σε κραδασμούς).
 - Εάν χρησιμοποιούνται γενικής χρήσης περιστρεφόμενες συνδέσεις (σύμπλεξη με σιαγόνες), πρέπει να τοποθετηθούν πείροι ασφάλισης και σύστημα συγκράτησης των σωλήνων πεπιεσμένου αέρα, για να εξασφαλιστεί προστασία κατά λάθος συνδέσεων σωλήνα σε εργαλείο ή σωλήνα σε σωλήνα.

3. Περιγραφή της συσκευής (εικ. 1/2)

1. Βίδα ρύθμισης (ροπή στρέψης)
2. Σκανδάλη
3. Μπουλόνι αλλαγής κατεύθυνσης δεξιά-αριστερά
4. Τετράγωνη υποδοχή
5. Βίδα ρύθμισης
6. Γλώσσα
7. Επέκταση
8. Ειδικό λάδι πεπιεσμένου αέρα
9. Εργαλεία (μέγεθος: 9 mm, 10 mm, 11 mm, 13 mm, 14 mm, 17 mm, 19 mm, 22 mm, 24 mm, 27 mm)

4. Συμπαραδιδόμενα

- Ανοίξτε τη συσκευασία και βγάλτε προσεκτικά τη συσκευή.
- Απομακρύνετε τα υλικά συσκευασίας καθώς και τα συστήματα προστασίας της συσκευασίας / μεταφοράς (εάν υπάρχουν).
- Ελέγξτε εάν είναι πλήρες το περιεχόμενο.
- Ελέγξτε τη συσκευή και τα αξεσουάρ για ενδεχόμενες ζημιές από τη μεταφορά.
- Φυλάξτε τη συσκευασία αν γίνεται μέχρι την πάροδο της προθεσμίας της εγγύησης.

ΠΡΟΣΟΧΗ

Η συσκευή και τα υλικά συσκευασίας δεν είναι παιχνίδια! Τα παιδιά δεν επιτρέπεται να παίζουν με πλαστικές σακούλες, πλαστικές μεμβράνες και μικροαντικείμενα! Υφίσταται κίνδυνος κατάποσης και ασφυξίας!

- Κρουστικό κατσαβίδι πεπιεσμένου αέρα
- Γλώσσα
- Επέκταση
- Ειδικό λάδι πεπιεσμένου αέρα
- Εργαλεία (10 τεμάχια)
- Πρωτότυπο Οδηγιών χρήσης

5. Ενδεδειγμένη χρήση

Το κρουστικό κατσαβίδι είναι μία εύχρηστη συσκευή πεπιεσμένου αέρα για τη χρήση σε μαστορέματα και στον τομέα αυτοκινήτων. Ενδείκνυται για τη στερέωση και το ξεβίδωμα βιδωτών συνδέσμων στον τομέα αυτοκινήτων (ελαστικά κλπ.) καθώς και στον τομέα γεωργίας.

Ο αέρας εξέρχεται από την σκανδάλη (2) προς τα κάτω.

Η αλλαγή των εργαλείων (9) είναι απλή και γίνεται γρήγορα. Η σύνδεση πεπιεσμένου αέρα γίνεται μέσω γλωσσίσσας και ταχυσυνδέσμου.

Η μηχανή να χρησιμοποιείται μόνο για το σκοπό για τον οποίο προορίζεται. Κάθε πέραν τούτου χρήση δεν είναι ενδεδειγμένη. Για ζημιές ή τραυματισμούς παντός είδους που οφείλονται σε μη ενδεδειγμένη χρήση ευθύνεται ο χρήστης / χειριστής και όχι ο κατασκευαστής.

Παρακαλούμε να προσέξετε, πως οι συσκευές μας δεν έχουν κατασκευαστεί για επαγγελματική, βιοτεχνική και βιομηχανική χρήση. Δεν αναλαμβάνουμε καμία εγγύηση, εάν η συσκευή χρησιμοποιηθεί σε βιοτεχνίες ή βιομηχανίες ή σε παρόμοιες εργασίες. Οι επισκευές και το σέρβις να εκτελούνται μόνο από εξειδικευμένα συνεργεία.

Προσέξτε!

Μία πολύ μικρή εσωτερική διάμετρος σωλήνα και πολύ μακρύς εύκαμπτος σωλήνας μειώνουν την απόδοση της συσκευής.

6. Τεχνικά χαρακτηριστικά

Μέγ. ροπή στρέψης λασκαρίσματος	310 nm
Πεδίο εργασίας (μέγ. μέγεθος σπειρώματος)	M14
Μέγ. επιτρεπτή πίεση λειτουργίας	6,3 bar
Αριθμός στροφών ραλεντί	7000 min ⁻¹
Υποδοχή αρσενικού τετράγωνου	12,7 mm (1/2 ίντσα)
Κατανάλωση αέρα σε 4,0/6,3 bar	210/310 l/min.
Συνιστώμενη διάμετρος σωλήνα	Ø 10 mm
Συνιστώμενο μήκος σωλήνα	10 m
Βάρος	2,2 kg

Θόρυβος και δόνηση

Ο θόρυβος και οι δονήσεις μετρήθηκαν σύμφωνα με το πρότυπο ISO 15744 και ISO 28927-2.

Στάθμη ηχητικής πίεσης L _{PA}	84,4 dB(A)
Αβεβαιότητα K _{PA}	3 dB
Στάθμη ακουστικής ισχύος L _{WA}	95,4 dB(A)
Αβεβαιότητα K _{WA}	3 dB

Να χρησιμοποιείτε ωτοασπίδες.

Η επίδραση του θορύβου μπορεί να προκαλέσει την απώλεια της ακοής.

Δονήσεις:

Εκπομπή δονήσεων a_h = 3,3 m/s²

Αβεβαιότητα K = 0,82 m/s²

Πρόσθετες πληροφορίες

Προσοχή!

Η αναφερόμενη τιμή μετάδοσης δόνησης μετρήθηκε βάσει τυποποιημένης μεθόδου ελέγχου και μπορεί να μεταβληθεί ή και σε εξαιρετικές περιπτώσεις να κυμαίνεται άνω της αναφερόμενης τιμής, ανάλογα από τον τρόπο χρήσης της συσκευής.

Η αναφερόμενη μετάδοση δονήσεων μπορεί να χρησιμοποιηθεί και για σύγκριση με άλλο ηλεκτρικό εργαλείο.

Η αναφερόμενη τιμή μετάδοσης δόνησης μπορεί επίσης να χρησιμοποιηθεί και για αρχική εκτίμηση της έκθεσης.

Περιορίστε τη δημιουργία θορύβου και δόνησης στο ελάχιστο!

- Να χρησιμοποιείτε μόνο συσκευές σε άψογη κατάσταση.
- Να συντηρείτε και να καθαρίζετε τακτικά τη συσκευή.
- Προσαρμόστε τον τρόπο εργασίας σας στη συσκευή.
- Προσέξτε να μην υπερφορτώνετε τη συσκευή.
- Ενδεχομένως δώστε τη συσκευή για έλεγχο.
- Απενεργοποιήστε τη συσκευή όταν δεν χρησιμοποιείται.
- Να φοράτε γάντια.

Υπολειπόμενοι κίνδυνοι

Ακόμη και σε περίπτωση σωστής και κανονικής χρήσης αυτού του ηλεκτρικού εργαλείου, υφίστανται πάντα υπολειπόμενοι κίνδυνοι. Οι ακόλουθοι κίνδυνοι μπορούν να παρουσιαστούν ανάλογα με το είδος κατασκευής και το μοντέλο αυτού του εργαλείου:

1. Βλάβες της ακοής, εάν δεν χρησιμοποιηθούν κατάλληλες ωτοασπίδες.
2. Βλάβες της υγείας που προκαλούνται από δονήσεις χεριού-βραχίονα, εάν η συσκευή χρησιμοποιηθεί για μεγαλύτερο χρονικό διάστημα ή δεν οδηγείται και δεν συντηρείται σωστά.

GR/
CY**Τροφοδοσία αέρα:**

Μέσω πηγής πεπιεσμένου αέρα με δυνατότητα ρύθμισης της πίεσης όπως π.χ. συμπιεστής. Πριν τη θέση σε λειτουργία διαβάστε και το εδάφιο 8. (Συντήρηση και περιποίηση).

Ισχύς του συμπιεστή:

Ο χρησιμοποιούμενος συμπιεστής να έχει όγκο λέβητα τουλάχιστον 50 λίτρων και ισχύ κινητήρα περί 2,2 kW.

Ρύθμιση για την εργασία:

Ρυθμίστε την παροχή πίεσης το ανώτερο σε πίεση εργασίας 6,3 bar.

Προσοχή:

Όταν εργάζεστε με το βιδωτήρα να φοράτε τα απαιτούμενα προστατευτικά ρούχα και ιδιαίτερα προστατευτικά γυαλιά.

Προσέξτε τις υποδείξεις ασφαλείας.

7. Θέση σε λειτουργία (εικ. 3)

Βιδώστε τη συμπαραδιδόμενη γλώσσα (6) στη σύνδεση αέρα αφού τυλίξετε με μονωτική ταινία 2-3 φορές το σπείρωμα. Βάλτε το απαιτούμενο εργαλείο (9) στην υποδοχή. Ρυθμίστε την κατεύθυνση περιστροφής στο μπουλόνι αλλαγής κατεύθυνσης (3).

R=αριστερή κίνηση/λασκάρετε τη βίδα,

F=αριστερή κίνηση/σφίξετε τη βίδα.

Τοποθετήστε το εργαλείο στην κεφαλή της βίδας.

Χειριστείτε τη σκανδάλη (2). Με ελαφριά πίεση και σύγχρονη περιστροφή της βίδας ρύθμισης αέρα (1) μπορείτε να ρυθμίσετε την παροχή του αέρα. **Σήμανση 4 = μέγ. ροπή στρέψης, σήμανση 1 = ελάχ. ροπή στρέψης.** Η σύνδεση με την πηγή πεπιεσμένου αέρα γίνεται μέσω εύκαμπτου σωλήνα πεπιεσμένου αέρα με ταχυσύνδεσμο. Την καλύτερη απόδοση του κρουστικού κατασαβιδιού σας θα την πετύχετε με σωλήνα πεπιεσμένου αέρα LW 10mm.

Προσοχή!

- Εάν τα παξιμάδια του τροχού είναι πολύ σφιχτά ή σκουριασμένα, να τα λασκάρετε με ένα σταυρό ή με κλειδί ροπής στρέψης.
- Το κρουστικό κατασαβίδι να χρησιμοποιείται μόνο για λασκάρισμα βιδών και παξιμαδιών. Εάν όμως το χρησιμοποιήσετε για σφίξιμο βιδών και παξιμαδιών, να χρησιμοποιήσετε και ένα κατάλληλο σύστημα περιορισμού της ροπής στρέψης για να μην υποστούν βλάβες οι βιδωτοί σύνδεσμοι. Το σύστημα αυτό θα το βρείτε στα ειδικά καταστήματα, δεν συμπαράδιδεται.
- Να σφίγγετε τις βίδες και τα παξιμάδια, για τις/τα οποίες/οποία υφίσταται προδιαγραφή ροπής στρέψης (π.χ. στον τομέα αυτοκινήτων από το εργοστάσιο κατασκευής) μόνο με το κατάλληλο κλειδί ροπής στρέψης.

8. Συντήρηση και περιποίηση

Προσοχή: Να διακόπτετε την παροχή πεπιεσμένου αέρα πριν την εκτέλεση εργασιών συντήρησης και καθαρισμού.

Η τήρηση των υποδείξεων συντήρησης που αναφέρονται στις οδηγίες αυτές εξασφαλίζει για αυτό το προϊόν ποιότητας μία μεγάλη διάρκεια ζωής και λειτουργία χωρίς βλάβες. Για άψογη εργασία διάρκειας του κρουστικού κατασαβιδιού σας μία καλή λίπανση αποτελεί απαραίτητη προϋπόθεση. Να χρησιμοποιείτε για το σκοπό αυτό μόνο το ειδικό λάδι πεπιεσμένου αέρα που συμπαράδιδεται. Το ειδικό λάδι θα το βρείτε στα ειδικά καταστήματα.

Να ελέγχετε τακτικά τον αριθμό στροφών και τη στάθμη δονήσεων με απλό οπτικό έλεγχο.

Υπόδειξη: Να χρησιμοποιείτε το φιλικό για το περιβάλλον λάδι πεπιεσμένου αέρα όταν χρησιμοποιείται η συσκευή εκτός συνεργείου.

Για την λίπανση έχετε τις ακόλουθες δυνατότητες:

8.1 μέσω λαδωτήρα

Συνδέστε μεταξύ της πηγής του πεπιεσμένου αέρα και του κρουστικού βιδωτήρα μία πλήρη μονάδα σέρβις με λαδωτήρα. Τη μονάδα συντήρησης θα την βρείτε στα ειδικά καταστήματα, δεν συμπαράδίδεται.

8.2 με το χέρι

Πριν από κάθε θέση σε λειτουργία του εργαλείου πεπιεσμένου αέρα βάζετε 3-5 σταγόνες ειδικό λάδι πεπιεσμένου αέρα στη σύνδεση πεπιεσμένου αέρα. Εάν το εργαλείο σας πεπιεσμένου αέρα δεν χρησιμοποιηθεί για περισσότερες ημέρες, πρέπει πριν την ενεργοποίηση να βάλετε 5-10 σταγόνες λάδι στη σύνδεση πεπιεσμένου αέρα. Να φυλάγετε το εργαλείο πεπιεσμένου αέρα μόνο σε στεγνούς χώρους.

8.3 Ρύθμιση της αντίστασης στο μπουλόνι αλλαγής κατεύθυνσης (3)

Με στρίψιμο της βίδας ρύθμισης (5) μπορεί να ρυθμιστεί η αντίσταση κατά την μεταγωγή του εμβόλου (3). Η αντίσταση έχει ρυθμιστεί από το εργοστάσιο και δεν χρειάζεται να επαναρυθμιστεί πριν τη θέση σε λειτουργία.

8.4 Άλλες εργασίες συντήρησης

Στο εσωτερικό της συσκευής και στη θέση (A), όπως φαίνεται στην εικόνα 4, δεν απαιτούνται εργασίες συντήρησης.

9. Από την εγγύηση αποκλείονται:

- Αναλώσιμα εξαρτήματα
- Βλάβες από μη επιτρεπτή πίεση λειτουργίας.
- Βλάβες από μη κατεργασμένο πεπιεσμένο αέρα.
- Ζημιές που οφείλονται σε όχι σωστή χρήση ή σε ξένη επέμβαση.

10. Καθαρισμός και παραγγελία ανταλλακτικών

10.1 Καθαρισμός

- Να κρατάτε όσο πιο ελεύθερα από σκόνη και ακαθαρσίες γίνεται τα συστήματα προστασίας, τις σχισμές εξαερισμού και το κέλυφος του μοτέρ. Σκουπίζετε τη συσκευή με ένα καθαρό πανί, ή καθαρίστε το με πεπιεσμένο αέρα σε χαμηλή πίεση.
- Συνιστούμε να καθαρίζετε τη συσκευή αμέσως μετά από κάθε χρήση.
- Να καθαρίζετε τη συσκευή τακτικά με ένα νωπό πανί και λίγο μαλακό σαπούνι. Μη χρησιμοποιείτε καθαριστικά ή διαλύτες, γιατί δεν αποκλείεται να καταστρέψουν την επιφάνεια της συσκευής. Προσέξτε να μην περάσει νερό στο εσωτερικό της συσκευής.

10.2 Παραγγελία ανταλλακτικών:

Κατά την παραγγελία ανταλλακτικών να αναφέρετε τα εξής:

- Τύπος της συσκευής
- Αριθμός είδους της συσκευής
- Αριθμός ταύτισης της συσκευής

Θα βρείτε τις ισχύουσες τιμές και πληροφορίες στην ιστοσελίδα www.isc-gmbh.info

11. Αποθήκευση

Να διατηρείτε τη συσκευή και τα αξεσουάρ της σε σκοτεινό, στεγνό χώρο, χωρίς παγετό, και μακριά από παιδιά. Η ιδανική θερμοκρασία αποθήκευσης είναι μεταξύ 5 και 30 °C. Να φυλάξετε τη συσκευή στην πρωτότυπη συσκευασία της.

GR/
CY

12. Διάθεση στα απορρίμματα και ανακύκλωση

Η συσκευή βρίσκεται σε μία συσκευασία προς αποφυγή ζημιών κατά τη μεταφορά. Αυτή η συσκευασία αποτελείται από πρώτες ύλες και έτσι μπορεί να επαναχρησιμοποιηθεί ή να ανακυκλωθεί. Η συσκευή και τα εξαρτήματά της αποτελούνται από διάφορα υλικά, όπως π.χ. μέταλλο και πλαστικά υλικά. Να παραδίδετε τα ελαττωματικά εξαρτήματα σε κέντρα συλλογής ειδικών απορριμμάτων. Ενημερωθείτε στα ειδικά καταστήματα ή στην διοίκηση της κοινότητας!

13. Δήλωση Συμμόρφωσης

Einhell Germany AG · Wiesenweg 22 · D-94405 Landau/Isar



Konformitätserklärung

- erklärt folgende Konformität gemäß EU-Richtlinie und Normen für Artikel
 explains the following conformity according to EU directives and norms for the following product
 déclare la conformité suivante selon la directive CE et les normes concernant l'article
 dichiara la seguente conformità secondo la direttiva UE e le norme per l'articolo
 verklaart de volgende overeenstemming conform EU richtlijn en normen voor het product
 declara la siguiente conformidad a tenor de la directiva y normas de la UE para el artículo
 declara a seguinte conformidade, de acordo com a directiva CE e normas para o artigo
 atterer følgende overensstemmelse i medfør af EU-direktiv samt standarder for artikel
 förklarar följande överensstämmelse enl. EU-direktiv och standarder för artikeln
 vakuuttaa, että tuote täyttää EU-direktiivin ja standardien vaatimukset
 tõendab toote vastavust EL direktiivile ja standarditele
 vydává následující prohlášení o shodě podle směrnice EU a norem pro výrobek
 potrjuje sledečo skladnost s smernico EU in standardi za izdelek
 vydáva nasledujúce prehlásenie o zhode podľa smernice EÚ a noriem pre výrobok
 a cikkekez az EU-irányvonal és Normák szerint a következő konformitást jelenti ki
 deklaruje zgodność wymienionego poniżej artykułu z następującymi normami na podstawie dyrektywy WE.
 декларира съответното съответствие съгласно Директива на ЕС и норми за артикул
 paskaidro šādu atbilstību ES direktīvai un standartiem
 apibūdina šj atitikimą EU reikalavimams ir prekės normoms
 declară următoarea conformitate conform directivei UE și normelor pentru articolul
 δηλώνει την ακόλουθη συμμόρφωση σύμφωνα με την Οδηγία ΕΚ και τα πρότυπα για το προϊόν
 potvrđuje sljedeću usklađenost prema smjernicama EU i normama za artikl
 Izjava o sukladnosti za ovaj proizvod dostupna je na internet stranici www.lidl.hr.
 potvrđuje sljedeću usklađenost prema smjernicama EU i normama za artikl
 potvrđuje sledeću usklađenost prema smernicama EZ i normama za artikal
 следующим удостоверяется, что следующие продукты соответствуют директивам и нормам ЕС
 проголошує про зазначену нижче відповідність виробу директивам та стандартам ЄС на виріб
 Ürünü ile ilgili AB direktifleri ve normları gereğince aşağıda açıklanan uygunluğu belirtir
 erklærer følgende samsvar i henhold til EU-direktivet og standarder for artikkel
 Lýsir uppfyllingu EU-reglna og annarra staða vöru

Druckluft-Schlagschrauber PDSS 310 A1 (Parkside)

- 87/404/EC_2009/105/EC
 2005/32/EC_2009/125/EC
 2006/95/EC
 2006/28/EC
 2004/108/EC
 2004/22/EC
 1999/5/EC
 97/23/EC
 90/396/EC_2009/142/EC
 89/686/EC_96/58/EC
 2006/42/EC
 Annex IV
 Notified Body:
 Notified Body No.:
 Reg. No.:
 2000/14/EC_2005/88/EC
 Annex V
 Annex VI
 Noise: measured L_{WA} = dB (A); guaranteed L_{WA} = dB (A)
 P = KW; LØ = cm
 Notified Body:
 2004/26/EC
 Emission No.:

Standard references: EN ISO 11148-6

Landau/Isar, den 20.04.2011

Weichselgartner/General Manager

Wang/Product-Management

First CE: 11
 Art.-No.: 41.389.45 I.-No.: 11011
 Subject to change without notice

Archive-File/Record: NAPR003588
 Documents registrar: Siegfried Roider
 Wiesenweg 22, D-94405 Landau/Isar

14. ΕΓΓΥΗΣΗ

Αξιότιμη πελάτισσα, αξιότιμε πελάτη,

Τα προϊόντα μας υπόκεινται σε αυστηρούς ελέγχους ποιότητας. Εάν παρ'όλα αυτά κάποτε δεν λειτουργήσουν άψογα, λυπούμαστε πολύ και σας παρακαλούμε να αποτανθείτε προς το τμήμαμας Εξυπηρέτησης Πελατών, στη διεύθυνση που αναφέρετε σε αυτή την εγγύηση. Ευχαρίστως σας βοηθούμε και τηλεφωνικώς στον αριθμό που αναφέρετε πιο κάτω. Για την κατίσχυση των αξιώσεων εγγύησης ισχύουν τα εξής:

1. Αυτοί οι όροι εγγύησης ρυθμίζουν πρόσθετες παροχές εγγύησης. Από την εγγύηση αυτή δεν τίγονται οι νόμιμες αξιώσεις σας για εγγύηση. Η παροχή της εγγύησής μας είναι για σας δωρεάν.
 2. Η εγγύηση καλύπτει αποκλειστικά και μόνο βλάβες που οφείλονται σε ελαττώματα υλικών ή παραγωγής και περιορίζονται στην αποκατάσταση αυτών των ελαττωμάτων ή την αντικατάσταση της συσκευής. Παρακαλούμε να προσέξετε πως οι συσκευές μας δεν προορίζονται για τη βιομηχανία, τη βιοτεχνία και την επαγγελματική χρήση. Για το λόγο αυτό δεν υφίσταται σύμβαση εγγύησης σε περίπτωση χρήσης της συσκευής στη βιομηχανία, βιοτεχνία, για επαγγελματικό ή άλλο παρόμοιο σκοπό. Από την εγγύησή μας αποκλείονται πέραν τούτου αποζημιώσεις για βλάβες μεταφοράς, βλάβες οφειλόμενες σε μη τήρηση της Οδηγίας συναρμολόγησης, ή σε εσφαλμένη εγκατάσταση, μη τήρηση της Οδηγίας χρήσης (π.χ. σύνδεση σε λάθος τάση δικτύου ή είδος ρεύματος), καταχρηστική ή όχι ορθή χρήση (π.χ. υπερφόρτωση ή χρήση μη εγκεκριμένων ανταλλακτικών εργαλείων ή εξαρτημάτων), μη τήρηση των Υποδείξεων συντήρησης και ασφαλείας, είσοδος ξένων αντικειμένων στη συσκευή (όπως π.χ. άμμος ή σκόνη), χρήση βίας ή εξωτερική επίδραση (όπως π.χ. βλάβες από πτώση) καθώς και βλάβες που οφείλονται σε κοινή φθορά.
- Η αξίωση εγγύησης εκπίπτει σε περίπτωση που έγιναν ήδη ξένες επεμβάσεις στη συσκευή.
3. Η διάρκεια της εγγύησης ανέρχεται σε 3 έτη και αρχίζει από την ημερομηνία αγοράς της συσκευής. Οι αξιώσεις εγγύησης πρέπει να κατισχυθούν πριν την πάροδο της προθεσμίας της εγγύησης εντός δύο εβδομάδων από την διαπίστωση του ελαττώματος. Αποκλείεται η κατίσχυση αξιώσεων εγγύησης μετά την πάροδο της προθεσμίας της εγγύησης. Η επισκευή ή η αντικατάσταση της συσκευής δεν συνεπάγεται ούτε την επέκταση της διάρκειας της εγγύησης ούτε την έναρξη νέας προθεσμίας εγγύησης για τη συσκευή ή τα ενδεχομένως τοποθετηθέντα εξαρτήματα. Το ίδιο ισχύει και σε περίπτωση σέρβις επί τόπου.
 4. Για την κατίσχυση της αξίωσης της εγγύησης σας παρακαλούμε να μας αποστείλετε τη συσκευή, χωρίς επιβάρυνσή μας με ταχυδρομικά τέλη, στην πιο κάτω αναφερόμενη διεύθυνση. Μη ξεχάσετε να επισυνάψετε το πρωτότυπο της απόδειξης αγοράς ή άλλο ισχύον αποδεικτικό αγοράς. Για το λόγο αυτό σας παρακαλούμε να φυλάξετε καλά την απόδειξη του ταμείου! Παρακαλούμε επίσης να μας περιγράψετε την αιτία για την διαμαρτυρία σας όσο πιο αναλυτικά γίνεται. Εάν το ελάττωμα της συσκευής σας καλύπτεται από την εγγύησή μας, είτε θα σας επιστραφεί ταχύτατα η επισκευασμένη συσκευή σας, είτε θα λάβετε μία νέα συσκευή.

Φυσικά επισκευάζουμε ευχαρίστως έναντι αμοιβής και ελαττώματα στη συσκευή σας που δεν καλύπτονται ή δεν καλύπτονται πλέον από την εγγύηση. Για το σκοπό αυτό σας παρακαλούμε να αποστείλετε τη συσκευή σας στη διεύθυνση του τμήματος μας για Εξυπηρέτηση Πελατών.

EINHELL Hellas A. E.

Lasithiou Str. 4

14342 Nea Philadelphia

Tel. 0210 2776871 · Fax 0210 2776871

Inhaltsverzeichnis	Seite
1. Einleitung	29
2. Sicherheitshinweise	29-31
3. Gerätebeschreibung	31
4. Lieferumfang	31-32
5. Bestimmungsgemäße Verwendung	32
6. Technische Daten	32-33
7. Inbetriebnahme	33-34
8. Wartung und Pflege	34
9. Von der Garantie ausgeschlossen	34
10. Reinigung und Ersatzteilbestellung	35
11. Lagerung	35
12. Entsorgung und Wiederverwertung	35
13. Konformitätserklärung	36
14. Garantieurkunde	37

Der Nachdruck oder sonstige Vervielfältigung von Dokumentation und Begleitpapieren der Produkte, auch auszugsweise, ist nur mit ausdrücklicher Zustimmung der ISC GmbH zulässig.

Technische Änderungen vorbehalten

DE/AT/
CH

Zusätzliche Sicherheitshinweise



“WARNUNG - Zur Verringerung des Verletzungsrisikos
Bedienungsanleitung lesen”



Tragen Sie einen Gehörschutz.

Die Einwirkung von Lärm kann Hörverlust bewirken.



Tragen Sie eine Schutzbrille.

Während der Arbeit entstehende Funken oder aus dem Gerät heraustretende Splitter,
Späne und Stäube können Sichtverlust bewirken.

1. Einleitung

⚠ Achtung!

Beim Benutzen von Geräten müssen einige Sicherheitsvorkehrungen eingehalten werden, um Verletzungen und Schäden zu verhindern. Lesen Sie diese Bedienungsanleitung / Sicherheitshinweise deshalb sorgfältig durch. Bewahren Sie diese gut auf, damit Ihnen die Informationen jederzeit zur Verfügung stehen. Falls Sie das Gerät an andere Personen übergeben sollten, händigen Sie diese Bedienungsanleitung / Sicherheitshinweise bitte mit aus. Wir übernehmen keine Haftung für Unfälle oder Schäden, die durch Nichtbeachten dieser Anleitung und den Sicherheitshinweisen entstehen.

2. Sicherheitshinweise

⚠ WARNUNG

Lesen Sie alle Sicherheitshinweise und Anweisungen. Versäumnisse bei der Einhaltung der Sicherheitshinweise und Anweisungen können elektrischen Schlag, Brand und/oder schwere Verletzungen verursachen.

Bewahren Sie alle Sicherheitshinweise und Anweisungen für die Zukunft auf.

Schützen Sie sich und Ihre Umwelt durch geeignete Vorsichtsmaßnahmen vor Unfallgefahren.

- Schlagschrauber nicht zweckentfremden.
- Druckluftwerkzeuge vor Kindern sichern.
- Nur ausgeruht und konzentriert zu Werke gehen.
- Druckluftanschluss nur über eine Schnellverschlusskupplung ausführen.
- Arbeitsdruckeinstellung muss über einen Druckminderer erfolgen.
- Als Energiequelle keinen Sauerstoff oder brennbare Gase verwenden. Es besteht Feuer- und Explosionsgefahr.
- Den maximal zulässigen Arbeitsdruck nicht überschreiten.
- Betreiben Sie das Gerät nur mit dem für den jeweiligen Arbeitsgang erforderlichen Druck, um unnötig hohe Geräuschpegel, erhöhten Verschleiß und dadurch entstehende Störungen zu vermeiden.
- Vorsicht vor herumschlagenden Druckluftschläuchen. Beim Lösen der Schlauchkupplung ist das Kupplungsstück des Schlauches mit der Hand festzuhalten, um Verletzungen durch den zurückschnellenden Schlauch zu vermeiden.
- Tragen Sie beim Arbeiten mit dem Schlagschrauber die jeweilig erforderliche Schutzkleidung, insbesondere einschlagsichere Schutzbrille, Gehörschutz und Schutzhandschuhe.
- Es besteht die Gefahr von Verletzungen durch Splitter, die bei einem Bruch des eingesetzten Werkzeuges (Nuss) mit großer Geschwindigkeit wegfliegen.
- Vergewissern Sie sich, dass das Werkstück sicher fixiert ist.
- Tragen Sie geeignete Kleidung. Tragen Sie keine weite Kleidung, oder Schmuck. Halten Sie Haare, Kleidung und Handschuhe fern von sich bewegenden Teilen. Lockere Kleidung, weite Handschuhe, Schmuck oder lange Haare können von sich bewegenden Teilen erfasst werden und zu schweren Verletzungen führen.
- Halten Sie ihre Hände von sich drehenden Teilen fern. Halten Sie niemals den Antrieb, den Werkzeugaufsatz oder die Verlängerung fest.
- Sich drehende Teile können leicht gummierte oder mit Metal verstärkte Handschuhe erfassen.
- Tragen Sie keine ausgefransten Handschuhe
- Die Verwendung des Gerätes kann Prellungen, Abschürfung, Schnitte und Verbrennungen verursachen. Tragen Sie passende Handschuhe.
- Der Anwender muss physisch in der Lage sein, das Gerät zu bedienen.
- Unerwartete Bewegungen des Schlagschraubers infolge von Reaktionskräften oder Bruch des eingesetzten Maschinenwerkzeuges können zu Verletzungen führen.

DE/AT/
CH

- Eine nicht erwartete Bewegung des Einsatzwerkzeuges kann eine gefährdende Situation verursachen.
- Vermeiden Sie eine abnormale Körperhaltung. Sorgen Sie für einen sicheren Stand und halten Sie jederzeit das Gleichgewicht um normalen oder unerwarteten Bewegungen des Druckluft-Schlagschraubers infolge von Reaktionskräften zu begegnen.
- Lassen Sie den Abzugshebel (2) bei einer Unterbrechung der Luftzufuhr los.
- Nicht bei zu wenig Platz verwenden. Achten Sie darauf, dass Ihre Finger nicht zwischen dem Gerät und dem Werkstück eingeklemmt werden. Dies gilt vor allem beim Lösen von Schraubverbindungen.
- Arbeiten mit dem Gerät kann zu Beschwerden in den Händen, Armen, Schultern, Nacken oder anderen Körperteilen führen.
- Vor Störungsbeseitigung, Werkzeugwechsel, Werkzeugeinstellungen und Wartungsarbeiten Gerät von der Druckluftquelle trennen.
- Nur Original-Ersatzteile verwenden.
- Verwenden Sie nur Adapter und Aufsätze, die in gutem Zustand und für den Gebrauch mit dem Schlagschrauber vorgesehen sind.
- Verwenden Sie keine defekten Geräte.
- Ausrutschen, Stolpern und Stürze sind die Hauptursachen von Verletzungen am Arbeitsplatz. Achten Sie auf rutschigem Untergrund, der durch den Einsatz des Werkzeugs verursacht wird und auch auf Stolperfallen durch den Luftschlauch.
- Vorsicht vor versteckten Gefahren wie elektrische Leitungen. Achten Sie darauf, dass durch die Verwendung des Gerätes keine elektrischen Leitungen oder Wasserrohre beschädigt werden.
- Dieses Gerät ist bei einer Berührung mit einer elektrischen Leitung nicht isoliert. Vermeiden Sie unbedingt jegliche Berührung mit elektrischen Leitungen.
- Verwenden Sie den Schlagschrauber nicht in explosionsgefährdeter Atmosphäre.
- Staub kann gesundheitsgefährdend für die Bedienperson sein. Dies gilt für durch die Bearbeitung entstandenen und aufgewirbelten Staub. Abhängig vom zu bearbeitenden Material können Stäube und Gase gesundheitsgefährdend für die Bedienperson sein (z. B. Krebs, Geburtschäden, Asthma und / oder Dermatitis). Tragen Sie eine Staubschutzmaske.
- Achten Sie darauf, dass ausströmende Luft so wenig Staub wie möglich aufwirbelt.
- Lärm kann bleibende Gehörschäden verursachen. Die ungeschützte Aussetzung von hohen Lärmpegeln kann zu Hörverlust und anderen Problemen, wie Tinnitus (Klingeln, Summen, Pfeifen oder Brummen in den Ohren) führen. Tragen Sie einen Gehörschutz. Um den entstehenden Lärm und Vibration so gering wie möglich zu halten, folgen Sie den in der Anleitung beschriebenen Wartungs- und Anwendungshinweisen. Schwingungsdämpfendes Material als Zwischenlage kann, wenn situationsbedingt anwendbar, ebenfalls Lärm verringern.
- Verwenden Sie nur passende Steckaufsätze.
- Vibrationen können sich auf den gesamten Körper und speziell auf Arme und Hände übertragen. Sehr starke, sowie andauernde Vibrationen können Nerven- und Gefäßstörungen verursachen. Regelmäßige Arbeitspausen minimieren das Risiko einer Störung hervorgerufen durch Vibrationen.
- Halten Sie das Gerät mit leichtem aber sicherem Griff, beachten Sie dabei die auftretenden Reaktionskräfte. Das Risiko von Beschwerden durch Vibration ist bei festerem Griff grundsätzlich höher.
- Tragen Sie warme Kleidung, wenn Sie in kalter Umgebung arbeiten. Halten Sie Ihre Hände warm und trocken.
- Wenn bei der Verwendung des Gerätes Schmerzen oder wiederkehrende Symptome auftreten, ignorieren Sie diese nicht und suchen Sie einen Arzt auf.
- Lassen Sie kalte Luft nicht über die Hand strömen.
- Druckluft kann zu ernststen Verletzungen führen.
- Richten Sie ausströmende Druckluft nicht auf andere Personen oder sich selbst.
- Trennen Sie den Druckluftanschluss und

setzen Sie das Gerät drucklos, bevor Sie das Gerät warten, reparieren, transportieren oder einen Werkzeugwechsel durchführen möchten.

- Tragen Sie Druckluftwerkzeuge nicht am Schlauch.
- Nie bei voller Leerlaufdrehzahl unbelastet längere Zeit laufen lassen.
- Verdichter und Leitungen erreichen im Betrieb hohe Temperaturen. Berührungen führen zu Verbrennungen.
- Die vom Verdichter angesaugten Gase oder Dämpfe sind frei von Beimengungen zu halten, die in dem Verdichter zu Bränden oder Explosionen führen können.
- Halten Sie Ihre Hände von dem eingesetzten Werkzeug (Nuss) fern, um Verletzungen zu vermeiden.
- Nur qualifizierte und trainierte Personen dürfen dieses Gerät benutzen.
- Verändern Sie dieses Gerät nicht. Modifikationen können die Wirkung der Sicherheitseinrichtungen beeinträchtigen und somit das Gefahrenpotential für den Benutzer erhöhen.
- Stellen Sie die Bedienungsanleitung jedem Benutzer zur Verfügung.
- Überprüfen Sie regelmäßig das Typenschild und Kennzeichnungen auf dem Gerät auf Lesbarkeit, falls diese beschädigt sind kontaktieren Sie unser Service Center.
- Benutzen und Warten Sie das Gerät wie in der Betriebsanleitung empfohlen, um Stäube oder Gase, Lärm und Vibrationen zu minimieren.
- Wo Stäube oder Gase entstehen, ist es die Priorität, diese zum Zeitpunkt der Entstehung zu kontrollieren.
- Wählen, warten und ersetzen Sie die Verbrauchsmaterialien / Einsatzwerkzeug wie in der Anleitung empfohlen, um eine unnötige Erhöhung der Stäube/Gase Lärm und Vibrationen zu vermeiden. Beenden Sie die Benutzung des Geräts, wenn Sie Taubheitsgefühl, Kribbeln, Schmerzen oder Aufhellen der Haut in den Fingern oder Händen erfahren und konsultieren Sie einen Arzt.
- Umherschlagende Schläuche können schwere Verletzungen verursachen.

Überprüfen Sie immer nach beschädigten oder losen Schläuchen und Verbindungen.

- Verwenden Sie keine Schnellverschlusskupplungen am Lufteinlass. Benutzen Sie Schlauchanschlüsse mit Gewinde aus gehärtetem Stahl (oder einem Material mit vergleichbarem Erschütterungswiderstand).
- Wenn universelle Dreh-Kupplungen (Klauen-Kupplung) verwendet werden, müssen Arretierstifte installiert und ein Rückhaltesystem für Druckluftschläuche verwendet werden, um Schutz gegen mögliche „Schlauch an Werkzeug“ oder „Schlauch an Schlauch“ Fehlverbindungen zu bieten.

3. Gerätebeschreibung (Abb. 1/2)

1. Einstellschraube (Drehmoment)
2. Abzugshebel
3. Umlenbolzen Rechts- Linkslauf
4. Vierkant für Nussaufnahme
5. Justierschraube
6. Stecknippel
7. Verlängerungsaufsatz
8. Spezial-Druckluftöl
9. Steckaufsätze (SW: 9 mm, 10 mm, 11 mm, 13 mm, 14 mm, 17 mm, 19 mm, 22 mm, 24 mm, 27 mm)

4. Lieferumfang

- Öffnen Sie die Verpackung und nehmen Sie das Gerät vorsichtig aus der Verpackung.
- Entfernen Sie das Verpackungsmaterial sowie Verpackungs- / und Transportsicherungen (falls vorhanden).
- Überprüfen Sie, ob der Lieferumfang vollständig ist.
- Kontrollieren Sie das Gerät und die Zubehörteile auf Transportschäden.
- Bewahren Sie die Verpackung nach Möglichkeit bis zum Ablauf der Garantiezeit auf.

DE/AT/
CH**ACHTUNG**

Gerät und Verpackungsmaterial sind kein Kinderspielzeug! Kinder dürfen nicht mit Kunststoffbeuteln, Folien und Kleinteilen spielen! Es besteht Verschluckungs- und Erstickungsgefahr!

- Druckluft-Schlagschrauber
- Stecknippel
- Verlängerungsaufsatz
- Spezial-Druckluftöl
- Steckaufsätze (10 Teile)
- Originalbetriebsanleitung

5. Bestimmungsgemäße Verwendung

Der Schlagschrauber ist ein handliches, druckluftbetriebenes Gerät für den Einsatz beim Heimwerker und im Kfz-Bereich. Er eignet sich zum Befestigen und Lösen von Verschraubungen im Kfz-Bereich (Reifenmontage, usw.) sowie im landwirtschaftlichen Bereich.

Die Abluft tritt über den Abzughebel (2) nach unten aus.

Die Steckaufsätze (9) können einfach und schnell gewechselt werden. Der Druckluftanschluss erfolgt über einen Stecknippel und einer Schnellkupplung.

Die Maschine darf nur nach ihrer Bestimmung verwendet werden. Jede weitere darüber hinausgehende Verwendung ist nicht bestimmungsgemäß. Für daraus hervorgerufene Schäden oder Verletzungen aller Art haftet der Benutzer/Bediener und nicht der Hersteller.

Bitte beachten Sie, dass unsere Geräte bestimmungsgemäß nicht für den gewerblichen, handwerklichen oder industriellen Einsatz konstruiert wurden. Wir übernehmen keine Gewährleistung, wenn das Gerät in Gewerbe-, Handwerks- oder Industriebetrieben sowie bei gleichzusetzenden Tätigkeiten eingesetzt wird. Reparaturen und Service nur von autorisierten Fachwerkstätten ausführen lassen.

Beachten Sie!

Zu geringe Schlauch-Innendurchmesser und zu lange Schlauchleitung führen zu Leistungsverlust am Gerät.

6. Technische Daten

max. Lösedrehmoment	310 Nm
Arbeitsbereich (max. Gewindegröße)	M14
max. zulässiger Arbeitsdruck	6,3 bar
Leerlaufdrehzahl	7000 min ⁻¹
Vierkantaufnahme	12,7 mm (1/2 Zoll)
Luftverbrauch bei 4,0/6,3 bar	210/310 l/min.
empfohlener Schlauchdurchmesser	Ø 10 mm
empfohlene Schlauchlänge	10 m
Gewicht	2,2 kg

Geräusch und Vibration

Die Geräusch- und Vibrationswerte wurden entsprechend ISO 15744 und ISO 28927-2 ermittelt.

Schalldruckpegel L _{pA}	84,4 dB(A)
Unsicherheit K _{pA}	3 dB
Schalleistungspegel L _{WA}	95,4 dB(A)
Unsicherheit K _{WA}	3 dB

Tragen Sie einen Gehörschutz.

Die Einwirkung von Lärm kann Hörverlust bewirken.

VibrationenSchwingungsemissionswert $a_n = 3,3 \text{ m/s}^2$ Unsicherheit $K = 0,82 \text{ m/s}^2$ **Zusätzliche Informationen****Warnung!**

Der angegebene Schwingungsemissionswert ist nach einem genormten Prüfverfahren gemessen worden und kann sich, abhängig von der Art und Weise, in der das Gerät verwendet wird, ändern und in Ausnahmefällen über dem angegebenen Wert liegen.

Der angegebene Schwingungsemissionswert kann zum Vergleich eines Gerätes mit einem anderen verwendet werden.

Der angegebene Schwingungsemissionswert kann auch zu einer einleitenden Einschätzung der Beeinträchtigung verwendet werden.

Beschränken Sie die Geräusentwicklung und Vibration auf ein Minimum!

- Verwenden Sie nur einwandfreie Geräte.
- Warten und reinigen Sie das Gerät regelmäßig.
- Passen Sie Ihre Arbeitsweise dem Gerät an.
- Überlasten Sie das Gerät nicht.
- Lassen Sie das Gerät gegebenenfalls überprüfen.
- Schalten Sie das Gerät aus, wenn es nicht benutzt wird.
- Tragen Sie Handschuhe.

Restrisiken

Auch wenn Sie dieses Gerät vorschriftsmäßig bedienen, bleiben immer Restrisiken bestehen. Folgende Gefahren können im Zusammenhang mit der Bauweise und Ausführung dieses Gerätes auftreten:

1. Gehörschäden, falls kein geeigneter Gehörschutz getragen wird.
2. Gesundheitsschäden, die aus Hand-Arm-Schwingungen resultieren, falls das Gerät über einen längeren Zeitraum verwendet wird oder nicht ordnungsgemäß geführt und gewartet wird.

Luftversorgung:

Über eine Druckluftquelle mit Druckeinstellmöglichkeit wie z.B. Kompressor. Lesen Sie vor Inbetriebnahme auch den Absatz 8. (Wartung und Pflege).

Leistungsgröße des Kompressors:

Der verwendete Kompressor sollte mindestens ein Kesselvolumen von 50 Liter und eine Motorleistung von ca. 2,2 kW haben.

Einstellwerte für das Arbeiten:

Stellen Sie an Ihrer Druckluftversorgung maximal einen Arbeitsdruck von 6,3 bar ein.

Beachten Sie:

Tragen Sie beim Arbeiten mit dem Schrauber die erforderliche Schutzkleidung, insbesondere Schutzbrille. Beachten Sie die Sicherheitsbestimmungen.

7. Inbetriebnahme (Abb. 3)

Schrauben Sie den mitgelieferten Stecknippel (6) in den Luftanschluss, nachdem Sie zuvor 2-3 Lagen Dichtband auf das Gewinde aufgewickelt haben. Stecken Sie den benötigten Steckaufsatz (9) auf den Vierkant. Stellen Sie die richtige Drehrichtung am Umlenkbolzen (3) ein. R=Linkslauf/Schraube lösen, F=Rechtslauf/Schraube anziehen. Stecken Sie den Steckaufsatz auf den Schraubenkopf. Betätigen Sie den Abzughebel (2). Durch leichtes Eindrücken und gleichzeitiges Drehen der Lufteinstellschraube (1) kann die Luftzufuhr reguliert werden **Markierung 4 = max. Drehmoment, Markierung 1 = min. Drehmoment.** Der Anschluss an die Druckluftquelle erfolgt über einen flexiblen Druckluftschlauch mit Schnellkupplung. Die beste Leistung Ihres Schlagschraubers erzielen Sie mit einem Druckluftschlauch LW 10 mm.

DE/AT/
CH**Achtung!**

- Bei stark festsitzenden oder angerosteten Radmutter ist ein „Anlösen“ der Radmutter mit einem Radkreuz oder Drehmomentschlüssel vorzunehmen.
- Der Schlagschrauber sollte nur zum Lösen von Schrauben und Muttern verwendet werden. Sollen jedoch Schrauben und Muttern mit dem Schlagschrauber festgezogen werden, ist ein dafür vorgesehener Drehmomentbegrenzer zu verwenden, da dies sonst zu Beschädigungen an der Schraubverbindung führen kann. Diese sind im Fachhandel erhältlich und nicht im Lieferumfang enthalten.
- Ziehen Sie Schrauben oder Muttern, für die eine Drehmoment-Vorgabe gilt (z.B. im Kfz-Bereich durch Vorgaben des Fahrzeugherstellers) unbedingt nur mit einem dafür vorgesehenen Drehmomentbegrenzer fest.

8. Wartung und Pflege

Achtung: Trennen Sie das Gerät vom Druckluftnetz, bevor Sie Wartungs- und Reinigungsarbeiten durchführen.

Die Einhaltung der hier angegebenen Wartungshinweise sichert für dieses Qualitätsprodukt eine lange Lebensdauer und einen störungsfreien Betrieb zu.

Für eine dauerhafte einwandfreie Funktion Ihres Schlagschraubers ist eine regelmäßige Schmierung Voraussetzung. Verwenden Sie hierfür nur Spezial-Druckluftöl, welches im Lieferumfang enthalten ist. Spezial-Druckluftöl erhalten Sie auch im Fachhandel. Überprüfen Sie regelmäßig die Drehzahl und das Vibrationsniveau durch eine einfache Sichtkontrolle.

Hinweis: Verwenden Sie umweltverträgliches Druckluftöl, wenn das Gerät außerhalb von Werkstätten benutzt wird.

Folgende Möglichkeiten stehen Ihnen in Sachen Schmierung zur Auswahl:

8.1 über einen Nebelöler

Schalten Sie zwischen der Druckluftquelle und dem Schlagschrauber eine komplette Wartungseinheit mit Nebelöler. Eine Wartungseinheit ist im Fachhandel erhältlich und nicht im Lieferumfang enthalten.

8.2 von Hand

Vor jeder Inbetriebnahme des Druckluft-Werkzeuges 3-5 Tropfen Spezial-Druckluftöl in den Druckluftanschluss gegeben werden. Ist das Druckluftwerkzeug mehrere Tage außer Betrieb, müssen Sie vor dem Einschalten 5-10 Tropfen Spezial-Druckluftöl in den Druckluftanschluss geben.

Lagern Sie Ihr Druckluftwerkzeug nur in trockenen Räumen.

8.3 Justierung des Widerstandes am Umlenkbolzen (3)

Durch Drehung der Justierschraube (5) kann der Widerstand beim Umschalten des Bolzens (3) justiert werden. Dieser ist durch das Werk optimal eingestellt und muss vor Inbetriebnahme nicht nachjustiert werden.

8.4 Sonstige Wartung

Im Geräteinneren und an der Position (A), wie in Bild 4 gezeigt, müssen keine Wartungen durchgeführt werden.

9. Von der Garantie ausgeschlossen sind:

- Verschleißteile
- Schäden durch unzulässigen Arbeitsdruck.
- Schäden durch nicht aufbereitete Druckluft.
- Schäden, hervorgerufen durch unsachgemäßen Gebrauch oder Fremdeingriff.

10. Reinigung und Ersatzteilbestellung

10.1 Reinigung

- Halten Sie Schutzvorrichtungen, Luftschlitz und Motorengehäuse so staub- und schmutzfrei wie möglich. Reiben Sie das Gerät mit einem sauberen Tuch ab oder blasen Sie es mit Druckluft bei niedrigem Druck aus.
- Wir empfehlen, dass Sie das Gerät direkt nach jeder Benutzung reinigen.
- Reinigen Sie das Gerät regelmäßig mit einem feuchten Tuch und etwas Schmierseife. Verwenden Sie keine Reinigungs- oder Lösungsmittel; diese könnten die Kunststoffteile des Gerätes angreifen. Achten Sie darauf, dass kein Wasser in das Geräteinnere gelangen kann.

10.2 Ersatzteilbestellung:

Bei der Ersatzteilbestellung sollten folgende Angaben gemacht werden;

- Typ des Gerätes
- Artikelnummer des Gerätes
- Ident-Nummer des Gerätes

Aktuelle Preise und Infos finden Sie unter www.isc-gmbh.info

11. Lagerung

Lagern Sie das Gerät und dessen Zubehör an einem dunklen, trockenen und frostfreiem, sowie für Kinder unzugänglichem Ort. Die optimale Lagertemperatur liegt zwischen 5 und 30 °C. Bewahren Sie das Gerät in der Originalverpackung auf.

12. Entsorgung und Wiederverwertung

Das Gerät befindet sich in einer Verpackung um Transportschäden zu verhindern. Diese Verpackung ist Rohstoff und ist somit wieder verwendbar oder kann dem Rohstoffkreislauf zurückgeführt werden. Das Gerät und dessen Zubehör bestehen aus verschiedenen Materialien, wie z.B. Metall und Kunststoffe. Führen Sie defekte Bauteile der Sondermüllentsorgung zu. Fragen Sie im Fachgeschäft oder in der Gemeindeverwaltung nach!

DE/AT/
CH

13. Konformitätserklärung

Einhell Germany AG · Wiesenweg 22 · D-94405 Landau/Isar



Konformitätserklärung

- erklärt folgende Konformität gemäß EU-Richtlinie und Normen für Artikel
 explains the following conformity according to EU directives and norms for the following product
 déclare la conformité suivante selon la directive CE et les normes concernant l'article
 dichiara la seguente conformità secondo la direttiva UE e le norme per l'articolo
 verklaart de volgende overeenstemming conform EU richtlijn en normen voor het product
 declara la siguiente conformidad a tenor de la directiva y normas de la UE para el artículo
 declara a seguinte conformidade, de acordo com a directiva CE e normas para o artigo
 atterer følgende overensstemmelse i medfør af EU-direktiv samt standarder for artikel
 förklarar följande överensstämmelse enl. EU-direktiv och standarder för artikeln
 vakuuttaa, että tuote täyttää EU-direktiivin ja standardien vaatimukset
 tõendab toote vastavust EL direktiivile ja standarditele
 vydává následující prohlášení o shodě podle směrnice EU a norem pro výrobek
 potrjuje sledečo skladnost s smernico EU in standardi za izdelek
 vydáva nasledujúce prehlásenie o zhode podľa smernice EÚ a noriem pre výrobok
 a cikkekez az EU-irányvonal és Normák szerint a következő konformitást jelenti ki
 deklaruje zgodność wymienionego poniżej artykułu z następującymi normami na podstawie dyrektywy WE.
 декларира съответното съответствие съгласно Директива на ЕС и норми за артикул
 paskaidro šādu atbilstību ES direktīvai un standartiem
 aribūdina šj atitikimā EU reikalavimams ir prekės normoms
 declară următoarea conformitate conform directivei UE și normelor pentru articolul
 δηλώνει την ακόλουθη συμμόρφωση σύμφωνα με την Οδηγία ΕΚ και τα πρότυπα για το προϊόν
 potvrđuje sljedeću usklađenost prema smjernicama EU i normama za artikl
 Izjava o sukladnosti za ovaj proizvod dostupna je na internet stranici www.lidl.hr.
 potvrđuje sljedeću usklađenost prema smjernicama EU i normama za artikl
 potvrđuje sledeću usklađenost prema smernicama EZ i normama za artikal
 следующим удостоверяется, что следующие продукты соответствуют директивам и нормам ЕС
 проголошує про зазначену нижче відповідність виробу директивам та стандартам ЄС на виріб
 Ürünü ile ilgili AB direktifleri ve normları gereğince aşağıda açıklanan uygunluğu belirtir
 erklærer følgende samsvar i henhold til EU-direktivet og standarder for artikkel
 Lýsir uppfyllingu EU-reglna og annarra staða vöru

Druckluft-Schlagschrauber PDSS 310 A1 (Parkside)

- 87/404/EC_2009/105/EC
 2005/32/EC_2009/125/EC
 2006/95/EC
 2006/28/EC
 2004/108/EC
 2004/22/EC
 1999/5/EC
 97/23/EC
 90/396/EC_2009/142/EC
 89/686/EC_96/58/EC
- 2006/42/EC
 Annex IV
 Notified Body:
 Notified Body No.:
 Reg. No.:
- 2000/14/EC_2005/88/EC
 Annex V
 Annex VI
 Noise: measured L_{WA} = dB (A); guaranteed L_{WA} = dB (A)
 P = KW; LØ = cm
 Notified Body:
- 2004/26/EC
 Emission No.:

Standard references: EN ISO 11148-6

Landau/Isar, den 20.04.2011

Weichselgartner/General Manager

Wang/Product-Management

First CE: 11
 Art.-No.: 41.389.45 I.-No.: 11011
 Subject to change without notice

Archive-File/Record: NAPR003588
 Documents registrar: Siegfried Roider
 Wiesenweg 22, D-94405 Landau/Isar

14. GARANTIEURKUNDE

Sehr geehrte Kundin, sehr geehrter Kunde,

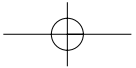
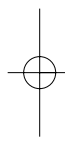
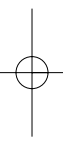
unsere Produkte unterliegen einer strengen Qualitätskontrolle. Sollte dieses Gerät dennoch einmal nicht einwandfrei funktionieren, bedauern wir dies sehr und bitten Sie, sich an unseren Servicedienst unter der auf dieser Garantiekarte angegebenen Adresse zu wenden. Gern stehen wir Ihnen auch telefonisch über die unten angegebene Servicrufnummer zur Verfügung. Für die Geltendmachung von Garantieansprüchen gilt Folgendes:

1. Diese Garantiebedingungen regeln zusätzliche Garantieleistungen. Ihre gesetzlichen Gewährleistungsansprüche werden von dieser Garantie nicht berührt. Unsere Garantieleistung ist für Sie kostenlos.
2. Die Garantieleistung erstreckt sich ausschließlich auf Mängel, die auf Material- oder Herstellungsfehler zurückzuführen sind und ist auf die Behebung dieser Mängel bzw. den Austausch des Gerätes beschränkt. Bitte beachten Sie, dass unsere Geräte bestimmungsgemäß nicht für den gewerblichen, handwerklichen oder industriellen Einsatz konstruiert wurden. Ein Garantievertrag kommt daher nicht zustande, wenn das Gerät in Gewerbe-, Handwerks- oder Industriebetrieben sowie bei gleichzusetzenden Tätigkeiten eingesetzt wird.
Von unserer Garantie sind ferner Ersatzleistungen für Transportschäden, Schäden durch Nichtbeachtung der Montageanleitung oder aufgrund nicht fachgerechter Installation, Nichtbeachtung der Gebrauchsanleitung (wie durch z.B. Anschluss an eine falsche Netzspannung oder Stromart), missbräuchliche oder unsachgemäße Anwendungen (wie z.B. Überlastung des Gerätes oder Verwendung von nicht zugelassenen Einsatzwerkzeugen oder Zubehör), Nichtbeachtung der Wartungs- und Sicherheitsbestimmungen, Eindringen von Fremdkörpern in das Gerät (wie z.B. Sand, Steine oder Staub), Gewaltanwendung oder Fremdeinwirkungen (wie z. B. Schäden durch Herunterfallen) sowie durch verwendungsgemäßen, üblichen Verschleiß ausgeschlossen. Dies gilt insbesondere für Akkus, auf die wir dennoch eine Garantiezeit von 12 Monaten gewähren.
Der Garantieanspruch erlischt, wenn an dem Gerät bereits Eingriffe vorgenommen wurden.
3. Die Garantiezeit beträgt 3 Jahre und beginnt mit dem Kaufdatum des Gerätes. Garantieansprüche sind vor Ablauf der Garantiezeit innerhalb von zwei Wochen, nachdem Sie den Defekt erkannt haben, geltend zu machen. Die Geltendmachung von Garantieansprüchen nach Ablauf der Garantiezeit ist ausgeschlossen. Die Reparatur oder der Austausch des Gerätes führt weder zu einer Verlängerung der Garantiezeit noch wird eine neue Garantiezeit durch diese Leistung für das Gerät oder für etwaige eingebaute Ersatzteile in Gang gesetzt. Dies gilt auch bei Einsatz eines Vor-Ort-Services.
4. Für die Geltendmachung Ihres Garantieanspruches übersenden Sie bitte das defekte Gerät portofrei an die unten angegebene Adresse. Fügen Sie den Verkaufsbeleg im Original oder einen sonstigen datierten Kaufnachweis bei. Bitte bewahren Sie deshalb den Kassenbon als Nachweis gut auf! Beschreiben Sie uns bitte den Reklamationsgrund möglichst genau. Ist der Defekt des Gerätes von unserer Garantieleistung erfasst, erhalten Sie umgehend ein repariertes oder neues Gerät zurück.

Selbstverständlich beheben wir gegen Erstattung der Kosten auch gerne Defekte am Gerät, die vom Garantiefumfang nicht oder nicht mehr erfasst sind. Dazu senden Sie das Gerät bitte an unsere Serviceadresse.



Lined writing area consisting of 20 horizontal lines.





IAN: 64580 PDSS 310 A1

Einhell Germany AG

Wiesenweg 22

D-94405 Landau/Isar

Last Information Update · Έκδοση των πληροφοριών

Stand der Informationen: 04/2011 Ident.-No.: 41.389.45 042011 - 7

7+