

QUALCAST

46cc Petrol Chainsaw

Quick Start Guide



Your Safety is most important. Please read these safety rules before you use this machine

General Safety Rules



Read the user manual before using the machine



On all jobs performed with the saw you must always wear safety goggles to guard your eyes from flying materials/objects and a sound-proof helmet, ear plugs or the like to protect your hearing. Wear a safety helmet if there is a risk of objects falling on you from above.



Wear gloves to protect your hands



Wear safety shoes to protect your feet



Protect yourself from saw kickback. Hold the chain saw securely with both hands during use.



Make sure that the chain brake is released. Pull back the handle/chain brake before operating.

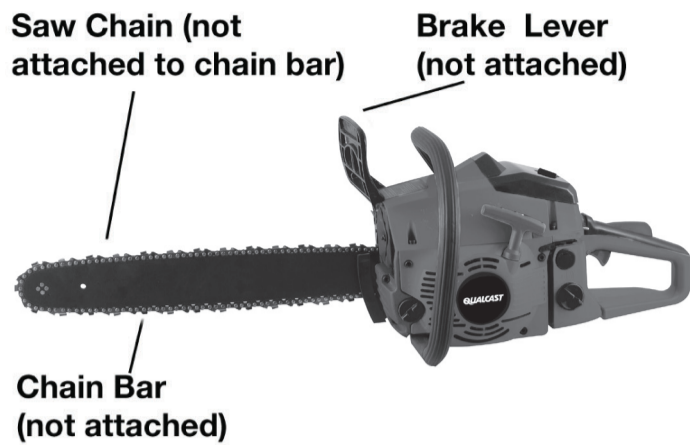


Noise emission complies with Directive 2000/14/EC!



Warning! Danger!

Note – This quick start guide is intended for experienced users who have already assembled the tool, please refer to the manual for further details



Items Included



Do you have questions?
We can help
Call Customer Service
Mon – Thur 08:45 am – 5:00 pm
Friday 08:45 am – 3:15 pm



0151 649 1500
Spare Parts also available

ALWAYS READ THE SAFETY WARNINGS PRIOR TO USE

Assembling the Chainsaw (If in doubt, ALWAYS refer to the user guide before continuing) :-

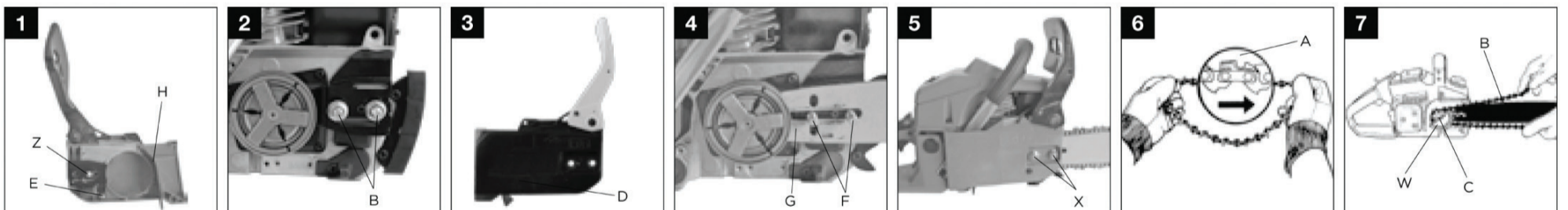
1 Unpack the Chainsaw

- Open the carton carefully and remove all the contents.
- Ensure you have all the items – see above before you discard the packaging.

2 Preparing and Assembling the Chainsaw

- Make sure the chain lever is pulled back into the designated Position (A firm click should be felt and heard when in position) (Fig. 1).
- Remove the 2 fastening nuts (Fig. 2/Item B) from the motor unit.
- Using a screwdriver, turn the adjustment screw (Fig. 3/Item D) anti clockwise until the TANG (Fig. 1/Item E) (projecting prong) is to the end of its travel towards the circular brake band (Fig. 1/Item Z).
- Spread the chain out into a loop with the cutting edges (A) pointing clockwise (Fig. 6/Item A).
- Fit the Chain over the drive gear (Fig. 7/Item C) behind the clutch (Fig. 7/Item W) of the main unit, & place the slotted end of the guide bar over the bar bolts (Fig. 4/Item F) and push the bar fully toward the drive gear. Hook the other end of the chain over the bar drive sprocket and then move the bar to take up the slack in the chain. Position the bar so the adjustment TANG (projecting prong) fits into the lower Hole (Fig. 4/Item G) on the guide BAR.
- Fit the Chain brake lever/front handle guard by aligning the tang (Fig. 1/Item E) with the slot in the chain bar (re-adjust the tang position if it does not line up correctly). Make sure that the rubber strip (Fig. 1/item H) is flat and does not get caught on the engine wall during assembly. The chain must not slip off the bar when you do this. Fit the two nuts (Fig. 5/Item X) and tighten them by hand and adjust the chain tension before fully tightening the chain.
- Tension the chain before use. There should be 2 – 3mm of play between the bar and the chain.

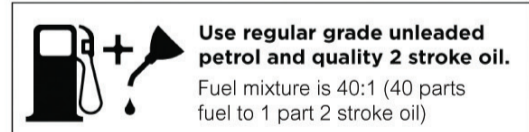
IF YOU ARE UNSURE, ALWAYS REFER TO THE USER GUIDE



3 Fuel / Lubrication

- Mix the fuel in the mixer bottle provided.
- Shake the container gently to ensure that it is properly mixed.

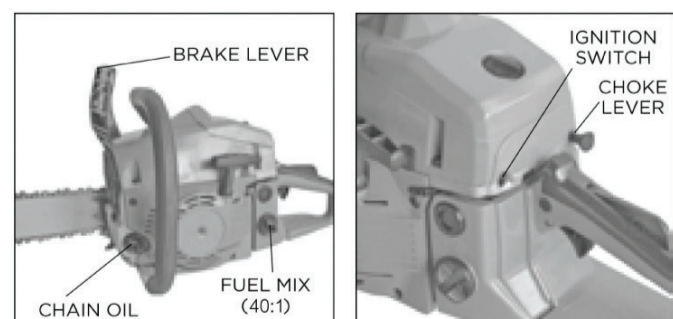
N.B Failure to use the correct oil/fuel mixture will cause the engine to seize.



4 Starting the Chainsaw

WE RECOMMEND YOU WEAR GOGGLES, PROTECTIVE CLOTHING, AND EAR DEFENDERS

- Add the fuel and Chain oil to the saw, push the brake lever back to release the brake and then place the saw on a firm flat surface.
- Set the ignition switch to the STOP (OFF, "0") position.
- Pull the choke fully out until it locks
- Pull starter cord rapidly 4 times.
- Push in the choke as far as it will go.
- Set the ignition switch to "On (I)".
- Pull the starter cord up to 6 more times.



NOTE: the amount of choke will vary slightly depending on the external temperature. (Warm = choke OFF, cold = Choke ON)

- Let the engine run for 10 seconds to warm up. Press the throttle lever briefly & the engine will go to "idling" speed.

THE CHAINSAW WILL NOT START IF THE EMERGENCY STOP HANDLE IS PUSHED FORWARD