



Fan Heater LHL 2000 A1 BL

CE E

Fan Heater

Operation and Safety Notes
Original operating instructions

CE AT CE

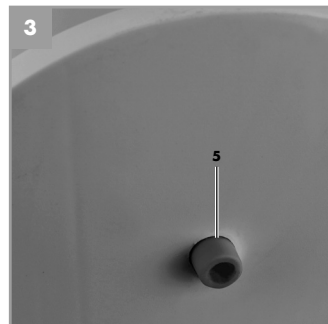
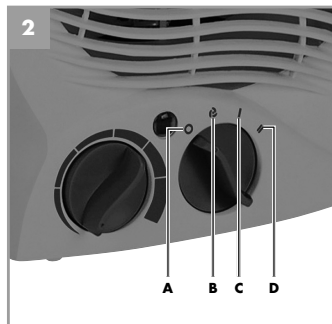
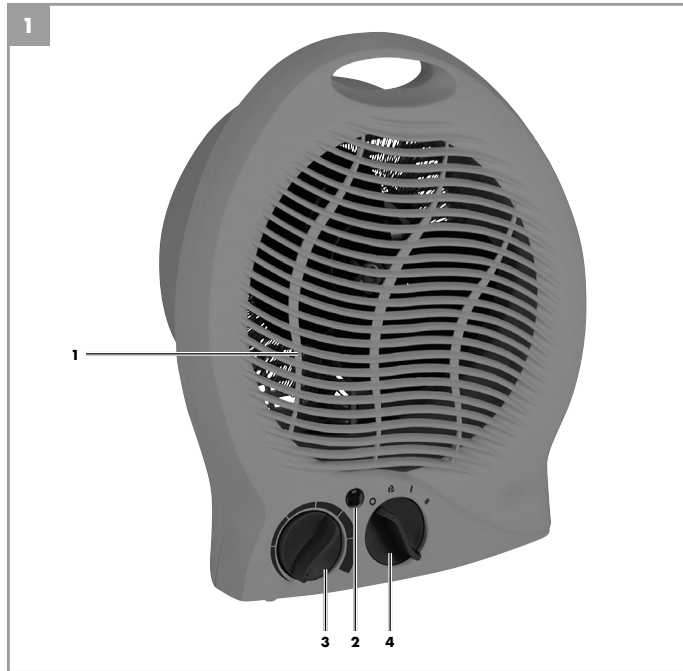
Heizlüfter

Bedienungs- und Sicherheitshinweise
Originalbetriebsanleitung

IAN 77977

GB









GB/IE

Table of contents

1. Introduction.....	6
2. Safety regulations	6
3. Layout and items supplied.....	7
4. Proper use.....	7
5. Technical data.....	7
6. Before starting the equipment	8
7. Operation	8
8. Cleaning, maintenance and ordering of spare parts.....	9
9. Storage	9
10. Disposal and recycling	9
11. Troubleshooting.....	10
12. Declaration of conformity.....	11
13. Warranty certificate.....	12

The reprinting or reproduction by any other means, in whole or in part, of documentation and papers accompanying products is permitted only with the express consent of the iSC GmbH.

Subject to technical changes

1. Introduction

Congratulations on your new purchase. You have decided in favor of a high-quality product. The operating instructions are a part of this product. They contain information of importance for your safety, for the use of the product and for its disposal. Before you use the product, acquaint yourself with all the information concerning its operation and safety. Use the product only as described and only for the listed areas of application. If you hand on the product to other people, give them all the documentation as well.

NOTE!

The equipment has a topple cut-out. For this purpose a switch is installed on the bottom of the equipment (Fig. 3 / Item 5). If this switch is not activated the equipment will not work!

2. Safety regulations

⚠ Caution!

Read all safety regulations and instructions.

Any errors made in following the safety regulations and instructions may result in an electric shock, fire and/or serious injury.

Keep all safety regulations and instructions in a safe place for future use.

- Check that the equipment has been delivered in perfect condition. If it has suffered any damage, do not connect the equipment to the power supply.
- Place the mains cable so that there is no danger of tripping over the cable.
- Do not pass the mains cable over hot parts of the equipment during operation.
- Never use the mains cable to pull the power plug out of the socket-outlet! Never use the mains cable to carry the equipment or try to move the equipment by pulling the mains cable.
- Never wind the mains cable around the fan heater.

- Never jam the mains cable between objects, or pull the cable over sharp edges, or place the cable over hot plates or open flames.
- Use the equipment in enclosed, dry areas only.
- Do not use this heater in the immediate vicinity of a bath, shower or swimming pool.
- Do not use the heater in a bathroom.
- Never immerse the equipment in water – danger of fatal accident!
- Never use the equipment with wet hands.
- Never open the equipment or touch live parts – danger of fatal accident!
- Position the equipment in such a way that the mains plug is accessible at all times.
- If the equipment is not used for a lengthy period of time, disconnect it from the mains supply.
- Do not position the equipment directly below a socket.
- If the equipment is used for a lengthy time the housing can become very hot. Position the equipment in such a way as to prevent accidental touching.
- Never position the equipment on deep pile carpets.
- Do not use the equipment in rooms in which inflammable materials (for example solvents, etc.) or gases are used or stored.
- Keep highly inflammable substances and gases away from the equipment.
- Do not use in areas where there is a fire risk (for example wooden sheds).
- Only use the heater with its mains lead fully extended.
- Do not insert any foreign objects in the equipment's openings – danger of electric shock and damage to the equipment.
- Keep children and people on medication or under the influence of alcohol away from the equipment.
- Warning: Do not cover the heater. If you fail to observe this point, the heater may suffer from overheating. Risk of fire! Pay attention to the symbol on the equipment (Fig. 4).
- Maintenance and repair work may only be carried out by authorized trained personnel.
- Check the power cable at regular intervals for

signs of defects or damage. A damaged power cable may be replaced only by an electrician or ISC GmbH in compliance with the relevant regulations in order to avoid danger.

This equipment is not designed to be used by people (including children) with limited physical, sensory or mental capacities or those with no experience and/or knowledge unless they are supervised by a person who is responsible for their safety or they have received instructions from such a person in how to use the equipment safely. Children must always be supervised in order to ensure that they do not play with the equipment.

Do not lose these safety instructions

3. Layout and items supplied

3.1 Layout (Fig. 1)

1. Air outlet grille
2. Indicator light
3. Thermostat control
4. Heat output switch

3.2 Items supplied

- Open the packaging and take out the equipment with care.
- Remove the packaging material and any packaging and/or transportation braces (if available).
- Check to see if all items are supplied.
- Inspect the equipment and accessories for transport damage.
- If possible, please keep the packaging until the end of the guarantee period.

Important!

The equipment and packaging material are not toys. Do not let children play with plastic bags, foils or small parts. There is a danger of swallowing or suffocating!

- Fan Heater
- Original Operating Instructions

4. Proper use

The equipment is designed exclusively for use as an additional heater in dry, closed rooms. It is designed to be operated only when placed on the floor.

The equipment is to be used only for its prescribed purpose. Any other use is deemed to be a case of misuse. The user / operator and not the manufacturer will be liable for any damage or injuries of any kind caused as a result of this.

Please note that our equipment has not been designed for use in commercial, trade or industrial applications. Our warranty will be voided if the machine is used in commercial, trade or industrial businesses or for equivalent purposes.

5. Technical data

Rated voltage: 220-240 V ~ 50 Hz

Heat output: 1800-2000 W

Thermostat control: Infinitely adjustable

Protection class: II/□

Equipment dimensions: approx.: 24 x 28 x 11 cm

6. Before starting the equipment

The equipment can be used indoors in a free standing position. Keep the equipment housing a minimum distance of 1 m away from any walls and combustible materials (furniture, curtains, etc.). The equipment may only be used completely mounted and in an upright position on a stable surface. It is prohibited to operate the equipment on an instable surface (e.g. on a bed).

Important. Before using the equipment for the first time, check that the voltage supply is the same as the voltage details set out on the rating plate.

Read the safety regulations in section 2.

When the equipment is used for the first time or after a long period of rest it may emit an odor for a short time. This is not a fault.

7. Operation

7.1 Topple cut-out

If the equipment topples during operation, it will be automatically turned off by the switch (Fig. 3/Item 5). When the heater is placed upright again (the switch (Fig. 3/Item 5) must be activated), the appliance restarts immediately.

7.2 Heat output switches (Fig. 2):

- Off setting (Item A)
The appliance is switched off.
- Fan setting (Item B)
The fan runs, no heating output.
Turn the thermostat control (Fig. 1/Item 3) to "MAX".
- Low heating output (Item C)
The fan runs, 1000 W heating output.
- Maximum heating output (Item D)
The fan runs, max. 2000 W heating output.

7.3 Thermostat control (Fig. 1 / Item 3):

Switch on the required heating output. Turn the control to "MAX" and wait until the required room temperature has been reached. Then turn down the control until you hear a clear click. The thermostat control will switch the radiator on and off automatically to maintain the room temperature at an almost constant level. However, this presupposes that the radiator has sufficient output to cover the heating requirements for the room.

7.4 Overheating guard

In case of excessive heating, the heating function shuts down automatically. The fan and the indicator light (Fig. 1/Item 2) remain on.

If this occurs, turn off the equipment, disconnect the mains plug and wait a few minutes for the equipment to cool. After eliminating the cause (e.g. a covered air grille), the equipment can be switched on again. If the overheating guard triggers repeatedly, please contact your customer service center (in Germany ISC GmbH).

8. Cleaning, maintenance and ordering of spare parts

8.1 Cleaning

- Before carrying out any cleaning and maintenance work the equipment must be turned off, disconnected from the power supply and cooled down.
- Use a damp cloth to clean the casing.
- Remove dust pollution with a vacuum cleaner.

8.2 Maintenance

- Maintenance and repair work may only be carried out by an electrical servicing contractor or ISC GmbH.
- Check the mains lead at regular intervals for signs of defects or damage. A damaged mains lead may only be replaced by an electrician or ISC GmbH in compliance with the relevant regulations.
- There are no parts inside the equipment which require additional maintenance.

8.3 Ordering replacement parts:

Please quote the following data when ordering replacement parts:

- Type of machine
- Article number of the machine
- Identification number of the machine

For our latest prices and information please go to www.isc-gmbh.info

9. Storage

Store the equipment and accessories out of children's reach in a dark and dry place at above freezing temperature. The ideal storage temperature is between 5 and 30 °C. Store the electric tool in its original packaging.

10. Disposal and recycling

The unit is supplied in packaging to prevent its being damaged in transit. This packaging is raw material and can therefore be reused or can be returned to the raw material system.

The unit and its accessories are made of various types of material, such as metal and plastic. Defective components must be disposed of as special waste. Ask your dealer or your local council.



For EU countries only

Never place any electric power tools in your household refuse.

To comply with European Directive 2002/96/EC concerning old electric and electronic equipment and its implementation in national laws, old electric power tools have to be separated from other waste and disposed of in an environment-friendly fashion, e.g. by taking to a recycling depot.

Recycling alternative to the return request:


As an alternative to returning the equipment to the manufacturer, the owner of the electrical equipment must make sure that the equipment is properly disposed of if he no longer wants to keep the equipment. The old equipment can be returned to a suitable collection point that will dispose of the equipment in accordance with the national recycling and waste disposal regulations. This does not apply to any accessories or aids without electrical components supplied with the old equipment.

11. Troubleshooting

If the equipment is operated properly you should experience no problems with malfunctions or faults. In the event of any malfunctions or faults, please check the following before you contact your customer services.

Fault	Possible cause	Remedy
Equipment does not work	<ul style="list-style-type: none"> - The power plug is not connected - The topple cut-switch (Fig. 3/Item 5) is not pressed 	<ul style="list-style-type: none"> - Connect the power plug - Place the equipment on a level surface
The equipment does not heat	<ul style="list-style-type: none"> - The thermostat control (Fig. 1/Item 3) is set too low - The overheating guard has been triggered - The switch is set to blowing (Fig. 2/Item B) without heating function 	<ul style="list-style-type: none"> - Turn the thermostat control (Fig. 1/Item 3) to a higher temperature - Note section 7.4 - Adjust the heating function (Fig. 2/Item C-D)

12. Declaration of conformity

Einhell Germany AG · Wiesenweg 22 · D-94405 Landau/Isar		CE	
Konformitätserklärung			
D	erklärt folgende Konformität gemäß EU-Richtlinie und Normen für Artikel	PL	deklaruje zgodność wymienionego poniżej artykułu z następującymi normami na podstawie dyrektywy WE.
GB	explains the following conformity according to EU directives and norms for the following product	BG	декларира съответствието съгласно Директива на ЕС и норми за артикул
F	déclare la conformité suivante selon la directive CE et les normes concernant l'article	LV	paskaidro šādu atbilstību ES direktīvai un standartiem
I	dichiara la seguente conformità secondo la direttiva UE e le norme per l'articolo	LT	apibūdina šį atitikimą EU reikalavimams ir prekės normoms
NL	verklaart de volgende overeenstemming conform EU richtlijn en normen voor het product	RO	declară următoarea conformitate conform directivei UE și normelor pentru articolul
E	declara la siguiente conformidad a tenor de la directiva y normas de la UE para el artículo	GR	δηλώνει την ακόλουθη συμμόρφωση σύμφωνα με την Οδηγία ΕΚ και τα πρότυπα για το προϊόν
P	declara a seguinte conformidade, de acordo com a directiva CE e normas para o artigo	HR	potvrđuje sljedeću usklađenost prema smjernicama EU i normama za artikl
DK	attesterer følgende overensstemmelse i medfør af EU-direktiv samt standarder for artiklet	IS	ljávara o sülkðadnoti za ovaj proizvod dostupna je na internet stranici www.lidl.hr.
S	förlägar följande överensstämmelse enl. EU-direktiv och standarder för artikeln	BIH	potvrđuje sljedeću usklađenost prema smjernicama EU i normama za artikl
FIN	vakuuttaa, että tuote täyttää EU-direktiivin ja standardien vaatimukset	RS	potvrđuje sledeću usklađenost prema smernicama EZ i normama za artikal
EE	tõendab toote vastavust EL direktiivile ja standarditele	RUS	следующим удостоверяется, что следующие продукты соответствуют директивам и нормам ЕС
CZ	vydává následující prohlášení o shodě podle směrnice EU a norem pro výrobek	UKR	проголошує про зазначену нижче відповідність виробу директивам та стандартам ЄС на виріб
SLO	potvrjuje sledečo skladnost s smernico EU in standardi za izdelek	MK	ја изјавува следната сообразност согласно ЕУ-директивата и нормите за артикли
SK	vydáva nasledujúce prehlásenie o zhode podľa smernice EU a noriem pre výrobok	TR	Ürünü ile ilgili AB direktifleri ve normlar gereğince aşağıda açıklanan uygunluğu belirtir
H	a cikkhez az EU-irányvonal és Normák szerint a következő konformitást jelenti ki	N	erklærer følgende samsvar i henhold til EU-direktivet og standarder for artiklet
		IS	Lýsir uppfyllingu EU-reglna og annarra staðla vöru
Heizlüfter LHL 2000 A1 BL			
<input type="checkbox"/> 87/404/EC_2009/105/EC	<input type="checkbox"/> 2006/42/EC		
<input type="checkbox"/> 2005/32/EC_2009/125/EC	<input type="checkbox"/> Annex IV	Notified Body:	
<input checked="" type="checkbox"/> 2006/95/EC		Notified Body No.:	
<input type="checkbox"/> 2006/28/EC		Reg. No.:	
<input checked="" type="checkbox"/> 2004/108/EC	<input type="checkbox"/> 2000/14/EC_2005/88/EC		
<input type="checkbox"/> 2004/22/EC	<input type="checkbox"/> Annex V		
<input type="checkbox"/> 1999/5/EC	<input type="checkbox"/> Annex VI		
<input type="checkbox"/> 97/23/EC		Noise measured: L _{WA} = dB (A); guaranteed L _{WA} = dB (A)	
<input type="checkbox"/> 90/396/EC_2009/142/EC		P = KW; L/O = cm	
<input type="checkbox"/> 89/686/EC_96/58/EC	<input type="checkbox"/> 2006/28/EC	Notified Body:	
<input checked="" type="checkbox"/> 2011/65/EC		Emission No.:	
Standard references: EN 60335-1; EN 60335-2-30; EN 62233; EN 55014-1; EN 5014-2; EN 61000-3-2; EN 61000-3-3			
Landau/Isar, den 07.05.2012			
			
Weichselgartner/General-Manager		Liu/Product-Management	
First CE: 09		Archive/File/Record: NAPP006266	
Art.-No.: 23.282.33 I.-No.: 11012		Documents registrar: Josef Landauer	
Subject to change without notice		Wiesenweg 22, D-94405 Landau/Isar	

13. Warranty certificate

Dear Customer,

All of our products undergo strict quality checks to ensure that they reach you in perfect condition. In the unlikely event that your device develops a fault, please contact our service department at the address shown on this guarantee card. Of course, if you would prefer to call us then we are also happy to offer our assistance under the service number printed below. Please note the following terms under which guarantee claims can be made:

1. These guarantee terms cover additional guarantee rights and do not affect your statutory warranty rights. We do not charge you for this guarantee.
2. Our guarantee only covers problems caused by material or manufacturing defects, and it is restricted to the rectification of these defects or replacement of the device. Please note that our devices have not been designed for use in commercial, trade or industrial applications. Consequently, the guarantee is invalidated if the equipment is used in commercial, trade or industrial applications or for other equivalent activities. The following are also excluded from our guarantee: compensation for transport damage, damage caused by failure to comply with the installation/assembly instructions or damage caused by unprofessional installation, failure to comply with the operating instructions (e.g. connection to the wrong mains voltage or current type), misuse or inappropriate use (such as overloading of the device or use of non-approved tools or accessories), failure to comply with the maintenance and safety regulations, ingress of foreign bodies into the device (e.g. sand, stones or dust), effects of force or external influences (e.g. damage caused by the device being dropped) and normal wear resulting from proper operation of the device. This applies in particular to rechargeable batteries for which we nevertheless issue a guarantee period of 12 months. The guarantee is rendered null and void if any attempt is made to tamper with the device.
3. The guarantee is valid for a period of 3 years starting from the purchase date of the device. Guarantee claims should be submitted before the end of the guarantee period within two weeks of the defect being noticed. No guarantee claims will be accepted after the end of the guarantee period. The original guarantee period remains applicable to the device even if repairs are carried out or parts are replaced. In such cases, the work performed or parts fitted will not result in an extension of the guarantee period, and no new guarantee will become active for the work performed or parts fitted. This also applies when an on-site service is used.
4. In order to assert your guarantee claim, please send your defective device postage-free to the address shown below. Please enclose either the original or a copy of your sales receipt or another dated proof of purchase. Please keep your sales receipt in a safe place, as it is your proof of purchase. It would help us if you could describe the nature of the problem in as much detail as possible. If the defect is covered by our guarantee then your device will either be repaired immediately and returned to you, or we will send you a new device.

Of course, we are also happy offer a chargeable repair service for any defects which are not covered by the scope of this guarantee or for units which are no longer covered. To take advantage of this service, please send the device to our service address.

Einhell UK Ltd
Morpeth Wharf
Twelve Quays
Birkenhead, Wirral
CH41 1LF
Tel. 0151 6491500, Fax 0151 6491501

IAN 77977



DE/AT/CH

Inhaltsverzeichnis

1. Einleitung	14
2. Sicherheitshinweise	14
3. Gerätebeschreibung und Lieferumfang	15
4. Bestimmungsgemäße Verwendung	15
5. Technische Daten	15
6. Vor Inbetriebnahme	16
7. Bedienung	16
8. Reinigung, Wartung und Ersatzteilbestellung	17
9. Lagerung	17
10. Entsorgung und Wiederverwertung	17
11. Hinweise zur Fehlerbeseitigung	18
12. Konformitätserklärung	19
13. Garantiekunde	20

Der Nachdruck oder sonstige Vervielfältigung von Dokumentation und Begleitpapieren der Produkte, auch auszugsweise, ist nur mit ausdrücklicher Zustimmung der iSC GmbH zulässig.

Technische Änderungen vorbehalten

1. Einleitung

Herzlichen Glückwunsch zum Kauf Ihres neuen Gerätes. Sie haben sich damit für ein hochwertiges Produkt entschieden. Die Bedienungsanleitung ist Bestandteil dieses Produkts. Sie enthält wichtige Hinweise für Sicherheit, Gebrauch und Entsorgung. Machen Sie sich vor der Benutzung des Produkts mit allen Bedien- und Sicherheitshinweisen vertraut. Benutzen Sie das Produkt nur wie beschrieben und für die angegebenen Einsatzbereiche. Händigen Sie alle Unterlagen bei Weitergabe des Produkts an Dritte mit aus.

HINWEIS!

Das Gerät verfügt über einen Umkippschutz. An der Geräteunterseite ist dazu ein Schalter angebracht (Abb.3 / Pos. 5). Ist dieser nicht aktiviert, funktioniert das Gerät nicht!

2. Sicherheitshinweise

⚠️ Warnung

Lesen Sie alle Sicherheitshinweise und Anweisungen. Versäumnisse bei der Einhaltung der Sicherheitshinweise und Anweisungen können elektrischen Schlag, Brand und/oder schwere Verletzungen verursachen. **Bewahren Sie alle Sicherheitshinweise und Anweisungen für die Zukunft auf.**

- Überprüfen Sie, ob das Gerät in einem einwandfreien Zustand geliefert wurde. Bei eventuellen Beschädigungen Gerät nicht anschließen.
- Verlegen Sie das Netzkabel so, dass man nicht über das Kabel stolpern kann.
- Netzleitung nicht über bei Betrieb heiße Geräteteile führen.
- Netzstecker nie an der Netzleitung aus der Steckdose ziehen! Gerät nie an der Netzleitung tragen oder durch Ziehen am Kabel bewegen.
- Netzleitung nie um das Gerät wickeln.
- Netzleitung nie einklemmen, über scharfe

Kanten ziehen, über heiße Herdplatten oder offene Flammen legen.

- Gerät nur in geschlossenen, trockenen Räumen verwenden.
- Dieses Heizgerät nicht in unmittelbarer Nähe einer Badewanne, einer Dusche oder eines Schwimmbeckens benutzen.
- Das Heizgerät nicht im Badezimmer verwenden.
- Gerät niemals in Wasser tauchen – Lebensgefahr!
- Niemals Gerät mit nassen Händen bedienen.
- Gerät nie öffnen und Spannung führende Teile berühren – Lebensgefahr!
- Gerät so aufstellen, dass der Netzstecker jederzeit zugänglich ist.
- Ist das Gerät längere Zeit außer Betrieb, Netzstecker ziehen!
- Gerät nicht unmittelbar unter einer Steckdose aufstellen.
- Gehäuse kann sich bei längerem Betrieb stark erwärmen. Das Gerät so aufstellen, dass ein zufälliges Berühren ausgeschlossen ist.
- Gerät niemals auf langflorigen Teppichen aufstellen.
- Gerät darf nicht in Räumen in denen feuergefährliche Stoffe (z.B. Lösungsmittel usw.) oder Gase verwendet oder gelagert werden betrieben werden.
- Leicht entflammbare Stoffe oder Gase vom Gerät fernhalten.
- Nicht in feuergefährdeten Räumen (z.B. Holzschuppen) betreiben.
- Heizgerät nur mit vollständig ausgerollter Netzleitung betreiben.
- Keine Fremdkörper in Geräteöffnungen einführen – Gefahr von Stromschlag und Gerätebeschädigung.
- Kinder und Personen unter Medikamenten- oder Alkoholeinfluss sind vom Gerät fernzuhalten.
- Warnung: Um eine Überhitzung des Heizgerätes zu vermeiden, darf das Heizgerät nicht abgedeckt werden - Brandgefahr! Beachten Sie das Symbol auf dem Gerät (Abb. 4).
- Wartungsarbeiten und Reparaturen dürfen nur vom autorisierten Fachpersonal ausgeführt werden.

- Die Netzleitung muss regelmäßig auf Defekte oder Beschädigungen geprüft werden. Eine beschädigte Netzleitung darf nur vom Elektrofachmann oder der ISC GmbH unter Berücksichtigung der einschlägigen Bestimmungen ausgetauscht werden, um Gefährdungen zu vermeiden.

Dieses Gerät ist nicht dafür bestimmt, durch Personen (einschließlich Kinder) mit eingeschränkten physischen, sensorischen oder geistigen Fähigkeiten oder mangels Erfahrung und/oder mangels Wissen benutzt zu werden, es sei denn, sie werden durch eine für ihre Sicherheit zuständige Person beaufsichtigt oder erhielten von ihr Anweisungen, wie das Gerät zu benutzen ist. Kinder sollten beaufsichtigt werden, um sicherzustellen, dass sie nicht mit dem Gerät spielen.

Bewahren Sie die Sicherheitshinweise gut auf.

3. Gerätebeschreibung und Lieferumfang

3.1 Gerätebeschreibung (Bild 1)

- Luftausblasgitter
- Kontrollleuchte
- Thermostatregler
- Heizleistungsschalter

3.2 Lieferumfang

- Öffnen Sie die Verpackung und nehmen Sie das Gerät vorsichtig aus der Verpackung.
- Entfernen Sie das Verpackungsmaterial sowie Verpackungs- und Transportsicherungen (falls vorhanden).
- Überprüfen Sie, ob der Lieferumfang vollständig ist.
- Kontrollieren Sie das Gerät und die Zubehörteile auf Transportschäden.
- Bewahren Sie die Verpackung nach Möglichkeit bis zum Ablauf der Garantiezeit auf.

Achtung!
Gerät und Verpackungsmaterial sind kein Kinderspielzeug! Kinder dürfen nicht mit Kunststoffbeuteln, Folien und Kleinteilen spielen! Es besteht Verschluckungs- und Erstickungsgefahr!

- Heizlüfter
- Originalbetriebsanleitung

4. Bestimmungsgemäße Verwendung

Das Gerät ist nur als Zusatzheizung in trockenen, geschlossenen Räumen bestimmt. Es ist ausschließlich für die Aufstellung am Boden vorgesehen.

Das Gerät darf nur nach seiner Bestimmung verwendet werden. Jede weitere darüber hinausgehende Verwendung ist nicht bestimmungsgemäß. Für daraus hervorgerufene Schäden oder Verletzungen aller Art haftet der Benutzer/Bediener und nicht der Hersteller.

Bitte beachten Sie, dass unsere Geräte bestimmungsgemäß nicht für den gewerblichen, handwerklichen oder industriellen Einsatz konstruiert wurden. Wir übernehmen keine Gewährleistung, wenn das Gerät in Gewerbe-, Handwerks- oder Industriebetrieben sowie bei gleichzusetzenden Tätigkeiten eingesetzt wird.

5. Technische Daten

Nennspannung: 220-240 V ~ 50 Hz
 Heizleistung: 1800-2000 W
 Thermostatregler: Stufenlos regelbar
 Schutzklasse: II/Ⓜ
 Gerätemaße: ca.: 24 x 28 x 11 cm

6. Vor Inbetriebnahme

Das Gerät kann frei im Raum stehend verwendet werden. Ein Mindestabstand von 1 m von Wänden, brennbaren Materialien (Möbel, Gardinen usw.) zum Gehäuse ist einzuhalten. Das Gerät darf nur in aufrechter Stellung auf einer stabilen Fläche und komplett montiert betrieben werden. Das Betreiben auf einer instabilen Fläche (z. B. Bett) ist nicht zulässig.

Achtung! Vor Inbetriebnahme überprüfen, ob die vorhandene Spannung mit der angegebenen Spannung auf dem Datenschild übereinstimmt.

Beachten Sie die unter Punkt 2 angeführten Sicherheitshinweise.

Bei Erstinbetriebnahme oder nach längerer Betriebspause kann es zu einer kurzzeitigen Geräuschbildung kommen. Dies ist kein Fehler.

7. Bedienung

7.1 Umkippschutz

Sollte das Gerät während des Betriebs umkippen, wird es durch den Schalter (Abb. 3/ Pos. 5) abgeschaltet. Nach Aufstellen des Gerätes (Schalter (Abb. 3/ Pos. 5) muss aktiviert sein) ist das Gerät sofort wieder in Betrieb.

7.2 Schalter für Heizleistung (Abb. 2):

- Aus-Stellung (Pos. A)
Gerät ist ausgeschaltet.
- Lüfter-Stellung (Pos. B)
Ventilator läuft, keine Heizleistung.
Drehen Sie den Thermostatregler (Abb. 1/ Pos. 3) auf „MAX“.
- geringe Heizleistung (Pos. C)
Ventilator läuft, 1000 W Heizleistung.
- maximale Heizleistung (Pos. D)
Ventilator läuft, max. 2000 W Heizleistung

7.3 Thermostatregler/Raumtemperaturregler (Abb. 1 / Pos. 3)

Schalten Sie die gewünschte Heizleistung ein. Drehen Sie den Regler auf „MAX“ und warten Sie, bis die gewünschte Raumtemperatur erreicht ist. Anschließend den Regler zurückdrehen, bis ein deutliches Klicken zu hören ist. Der Thermostatregler, schaltet das Heizgerät automatisch ein- und aus und sorgt für eine annähernd konstante Raumtemperatur. Voraussetzung dafür ist, das Heizgerät ist mit einer ausreichenden Heizleistung für den zu heizenden Raum ausgestattet.

7.4 Überhitzungsschutz

Bei übermäßiger Erwärmung schaltet sich die Heizung des Gerätes automatisch ab. Der Ventilator und die Kontrollleuchte (Abb. 1 / Pos. 2) sind weiter in Betrieb. Ist dies der Fall, Gerät ausschalten, Netzstecker ziehen und einige Minuten abkühlen lassen. Nach Beseitigung der Ursache (z.B. abgedecktes Luftgitter) kann das Gerät wieder eingeschaltet werden. Sollte es zum wiederholten Ansprechen des Überhitzungsschutzes kommen, wenden Sie sich bitte an unseren Kundendienst (in Deutschland ISC GmbH).

8. Reinigung, Wartung und Ersatzteilbestellung

8.1 Reinigung

- Vor Beginn von Reinigungs- und Wartungsarbeiten muss das Gerät ausgeschaltet, vom Stromnetz getrennt und abgekühlt sein.
- Zur Reinigung des Gehäuses ein leicht feuchtes Tuch verwenden.
- Verunreinigungen durch Staub mit einem Staubsauger entfernen.

8.2 Wartung

- Wartungs- und Reparaturarbeiten ausschließlich von einer Elektrowerkstatt oder der ISC GmbH durchführen lassen.
- Die Netzleitung muss regelmäßig auf Defekte oder Beschädigungen geprüft werden. Eine beschädigte Netzleitung darf nur vom Elektrofachmann oder der ISC GmbH unter Berücksichtigung der einschlägigen Bestimmungen ausgetauscht werden.
- Im Geräteinneren befinden sich keine weiteren zu wartenden Teile.

8.3 Ersatzteilbestellung:

Bei der Ersatzteilbestellung sollten folgende Angaben gemacht werden;

- Typ des Gerätes
- Artikelnummer des Gerätes
- Ident-Nummer des Gerätes

Aktuelle Preise und Infos finden Sie unter www.isc-gmbh.info

9. Lagerung

Lagern Sie das Gerät und dessen Zubehör an einem dunklen, trockenen und frostfreiem sowie für Kinder unzugänglichen Ort. Die optimale Lagertemperatur liegt zwischen 5 und 30 °C. Bewahren Sie das Elektrowerkzeug in der Originalverpackung auf.

10. Entsorgung und Wiederverwertung

Das Gerät befindet sich in einer Verpackung um Transportschäden zu verhindern. Diese Verpackung ist Rohstoff und ist somit wieder verwendbar oder kann dem Rohstoffkreislauf zurückgeführt werden. Das Gerät und dessen Zubehör bestehen aus verschiedenen Materialien, wie z.B. Metall und Kunststoffe. Führen Sie defekte Bauteile der Sondermüllentsorgung zu. Fragen Sie im Fachgeschäft oder in der Gemeindeverwaltung nach!



Nur für EU-Länder

Werfen Sie Elektrowerkzeuge nicht in den Hausmüll!

Gemäß europäischer Richtlinie 2002/96/EG über Elektro- und Elektronik-Altgeräte und Umsetzung in nationales Recht müssen verbrauchte Elektrowerkzeuge getrennt gesammelt werden und einer umweltgerechten Wiederverwertung zugeführt werden.

Recycling-Alternative zur Rücksendeaufforderung:


Der Eigentümer des Elektrogerätes ist alternativ anstelle Rücksendung zur Mitwirkung bei der sachgerechten Verwertung im Falle der Eigentumsaufgabe verpflichtet. Das Altgerät kann hierfür auch einer Rücknahmestelle überlassen werden, die eine Beseitigung im Sinne der nationalen Kreislaufwirtschafts- und Abfallgesetze durchführt. Nicht betroffen sind den Altgeräten beifügte Zubehörteile und Hilfsmittel ohne Elektrobestandteile.

11. Hinweise zur Fehlerbeseitigung

Wird das Gerät richtig betrieben, dürfen keine Störungen auftreten. Bei Störungen prüfen Sie die folgenden Möglichkeiten, bevor Sie den Kundendienst verständigen.

Störung	Mögliche Ursache	Abhilfe
Gerät ohne Funktion	<ul style="list-style-type: none">- Netzstecker nicht eingesteckt- Umkippschalter (Abb. 3/Pos. 5) nicht gedrückt	<ul style="list-style-type: none">- Netzstecker einstecken- Gerät auf ebene Fläche stellen
Gerät heizt nicht	<ul style="list-style-type: none">- Thermostatregler (Abb. 1/Pos. 3) ist zu niedrig eingestellt- Überhitzungsschutz hat ausgelöst- Schalter ist auf Gebläse (Abb. 2/Pos. B) ohne Heizfunktion eingestellt	<ul style="list-style-type: none">- Thermostatregler (Abb. 1/Pos. 3) nach rechts auf höhere Temperatur drehen- Abschnitt 7.4 beachten- Heizfunktion (Abb. 2/Pos. C-D) einstellen

12. Konformitätserklärung

Einhell Germany AG · Wiesenweg 22 · D-94405 Landau/Isar		CE	
Konformitätserklärung			
D	erklärt folgende Konformität gemäß EU-Richtlinie und Normen für Artikel	PL	deklaruje zgodność wymienionego poniżej artykułu z następującymi normami na podstawie dyrektywy WE.
GB	explains the following conformity according to EU directives and norms for the following product	BG	декларира съответствието съгласно Директива на ЕС и норми за артикул
F	déclare la conformité suivante selon la directive CE et les normes concernant l'article	LV	paskaidro šādu atbilstību ES direktīvai un standartiem
I	dichiara la seguente conformità secondo la direttiva UE e le norme per l'articolo	LT	apibūdina šį atitikimą EU reikalavimams ir prekės normoms
NL	verklaart de volgende overeenstemming conform EU richtlijn en normen voor het product	RO	declară următoarea conformitate conform directivei UE și normelor pentru articolul
E	declara la siguiente conformidad a tenor de la directiva y normas de la UE para el artículo	GR	δηλώνει την ακόλουθη συμμόρφωση σύμφωνα με την Οδηγία ΕΚ και τα πρότυπα για το προϊόν
P	declara a seguinte conformidade, de acordo com a directiva CE e normas para o artigo	HR	potvrđuje sljedeću usklađenost prema smjernicama EU i normama za artikl
DK	attesterer følgende overensstemmelse i medfør af EU-direktiv samt standarder for artiklet	IT	izjava o sukladnosti za ovaj proizvod dostupna je na internet stranici www.lidl.hr.
S	förlägar följande överensstämmelse enl. EU-direktiv och standarder för artikeln	BIH	potvrđuje sljedeću usklađenost prema smjernicama EU i normama za artikl
FIN	vakuuttaa, että tuote täyttää EU-direktiivin ja standardien vaatimukset	RS	potvrđuje sledeću usklađenost prema smernicama EZ i normama za artikal
EE	tõendab toote vastavust EL direktiivile ja standarditele	RUS	следующим удостоверяется, что следующие продукты соответствуют директивам и нормам ЕС
CZ	vydává následující prohlášení o shodě podle směrnice EU a norem pro výrobek	UKR	проголошує про зазначену нижче відповідність виробу директивам та стандартам ЄС на виріб
SLO	potvrjuje sledečo skladnost s smernico EU in standardi za izdelek	MK	ja изјавува следната сообразност согласно ЕУ-директивата и нормите за артикли
SK	vydáva nasledujúce prehlásenie o zhode podľa smernice EU a noriem pre výrobok	TR	Ürünü ile ilgili AB direktifleri ve normlar gereğince aşağıda açıklanan uygunluğu belirtir
H	a cikkhez az EU-irányvonal és Normák szerint a következő konformitást jelenti ki	N	erklærer følgende samsvar i henhold til EU-direktivet og standarder for artiklet
		IS	Lýsir uppfyllingu EU-reglna og annarra staðla vöru
Heizlüfter LHL 2000 A1 BL			
<input type="checkbox"/> 87/404/EC_2009/105/EC	<input type="checkbox"/> 2006/42/EC		
<input type="checkbox"/> 2005/32/EC_2009/125/EC	<input type="checkbox"/> Annex IV		
<input checked="" type="checkbox"/> 2006/95/EC	Notified Body:		
<input type="checkbox"/> 2006/28/EC	Notified Body No.:		
<input checked="" type="checkbox"/> 2004/108/EC	Reg. No.:		
<input type="checkbox"/> 2004/22/EC	<input type="checkbox"/> 2000/14/EC_2005/88/EC		
<input type="checkbox"/> 1999/5/EC	<input type="checkbox"/> Annex V		
<input type="checkbox"/> 97/23/EC	<input type="checkbox"/> Annex VI		
<input type="checkbox"/> 90/396/EC_2009/142/EC	Noise measured: L _{WA} = dB (A); guaranteed L _{WA} = dB (A)		
<input type="checkbox"/> 89/686/EC_96/58/EC	P = KW; L/O = cm		
<input checked="" type="checkbox"/> 2011/65/EC	Notified Body:		
	<input type="checkbox"/> 2006/28/EC		
	Emission No.:		
Standard references: EN 60335-1; EN 60335-2-30; EN 62233; EN 55014-1; EN 5014-2; EN 61000-3-2; EN 61000-3-3			
Landau/Isar, den 07.05.2012			
			
Weichselgartner/General-Manager		Liu/Product-Management	
First CE: 09		Archive-File/Record: NAPP006266	
Art.-No.: 23.282.33 I.-No.: 11012		Documents registrar: Josef Landauer	
Subject to change without notice		Wiesenweg 22, D-94405 Landau/Isar	



DE/AT/CH

13. Garantiekunde

Sehr geehrte Kundin, sehr geehrter Kunde,
unsere Produkte unterliegen einer strengen Qualitätskontrolle. Sollte dieses Gerät dennoch einmal nicht einwandfrei funktionieren, bedauern wir dies sehr und bitten Sie, sich an unseren Servicedienst unter der auf dieser Garantiekarte angegebenen Adresse zu wenden. Gern stehen wir Ihnen auch telefonisch über die unten angegebene Servicenummer zur Verfügung. Für die Geltendmachung von Garantieansprüchen gilt folgendes:

1. Diese Garantiebedingungen regeln zusätzliche Garantieleistungen. Ihre gesetzlichen Gewährleistungsansprüche werden von dieser Garantie nicht berührt. Unsere Garantieleistung ist für Sie kostenlos.
2. Die Garantieleistung erstreckt sich ausschließlich auf Mängel, die auf Material- oder Herstellungsfehler zurückzuführen sind und ist auf die Behebung dieser Mängel bzw. den Austausch des Gerätes beschränkt. Bitte beachten Sie, dass unsere Geräte bestimmungsgemäß nicht für den gewerblichen, handwerklichen oder industriellen Einsatz konstruiert wurden. Ein Garantievertrag kommt daher nicht zustande, wenn das Gerät in Gewerbe-, Handwerks- oder Industriebetrieben sowie bei gleichzusetzenden Tätigkeiten eingesetzt wird. Von unserer Garantie sind ferner Ersatzleistungen für Transportschäden, Schäden durch Nichtbeachtung der Montageanleitung oder aufgrund nicht fachgerechter Installation, Nichtbeachtung der Gebrauchsanleitung (wie durch z.B. Anschluss an eine falsche Netzspannung oder Stromart), missbräuchliche oder unsachgemäße Anwendungen (wie z.B. Überlastung des Gerätes oder Verwendung von nicht zugelassenen Einsatzwerkzeugen oder Zubehör), Nichtbeachtung der Wartungs- und Sicherheitsbestimmungen, Eindringen von Fremdkörpern in das Gerät (wie z.B. Sand, Steine oder Staub), Gewaltanwendung oder Fremdeinwirkungen (wie z. B. Schäden durch Herunterfallen) sowie durch verwendungsgemäßen, üblichen Verschleiß ausgeschlossen. Dies gilt insbesondere für Akkus, auf die wir dennoch eine Garantiezeit von 12 Monaten gewähren. Der Garantieanspruch erlischt, wenn an dem Gerät bereits Eingriffe vorgenommen wurden.
3. Die Garantiezeit beträgt 3 Jahre und beginnt mit dem Kaufdatum des Gerätes. Garantieansprüche sind vor Ablauf der Garantiezeit innerhalb von zwei Wochen, nachdem Sie den Defekt erkannt haben, geltend zu machen. Die Geltendmachung von Garantieansprüchen nach Ablauf der Garantiezeit ist ausgeschlossen. Die Reparatur oder der Austausch des Gerätes führt weder zu einer Verlängerung der Garantiezeit noch wird eine neue Garantiezeit durch diese Leistung für das Gerät oder für etwaige eingebaute Ersatzteile in Gang gesetzt. Dies gilt auch bei Einsatz eines Vor-Ort-Services.
4. Für die Geltendmachung Ihres Garantieanspruches übersenden Sie bitte das defekte Gerät portofrei an die unten angegebene Adresse. Fügen Sie den Verkaufsbeleg im Original oder einen sonstigen datierten Kaufnachweis bei. Bitte bewahren Sie deshalb den Kassenbon als Nachweis gut auf! Beschreiben Sie uns bitte den Reklamationsgrund möglichst genau. Ist der Defekt des Gerätes von unserer Garantieleistung erfasst, erhalten Sie umgehend ein repariertes oder neues Gerät zurück.

Selbstverständlich beheben wir gegen Erstattung der Kosten auch gerne Defekte am Gerät, die vom Garantieumfang nicht oder nicht mehr erfasst sind. Dazu senden Sie das Gerät bitte an unsere Serviceadresse.

IAN 77977

- 20 -



Handwriting practice lines consisting of multiple horizontal lines. The first two lines are pre-filled with a squiggle from the pencil illustration. The remaining lines are blank for practice.



Two horizontal lines extending from the pencil illustration to the right, followed by a series of horizontal lines for writing.



Handwriting practice lines consisting of multiple horizontal lines for text entry.



IAN: 77977 LHL 2000 A1 BL
Einhell Germany AG
Wiesenweg 22
D-94405 Landau/Isar

Last Information Update - Stand der Informationen:
07/2012 - Ident.-No.: 23.282.33 072012 - 6

IAN 77977

