



**PXCLSS-0182U**

---

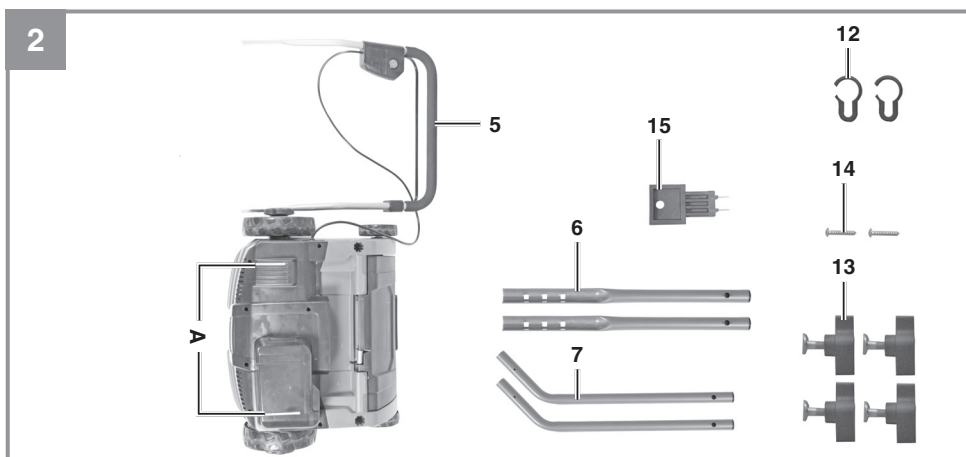
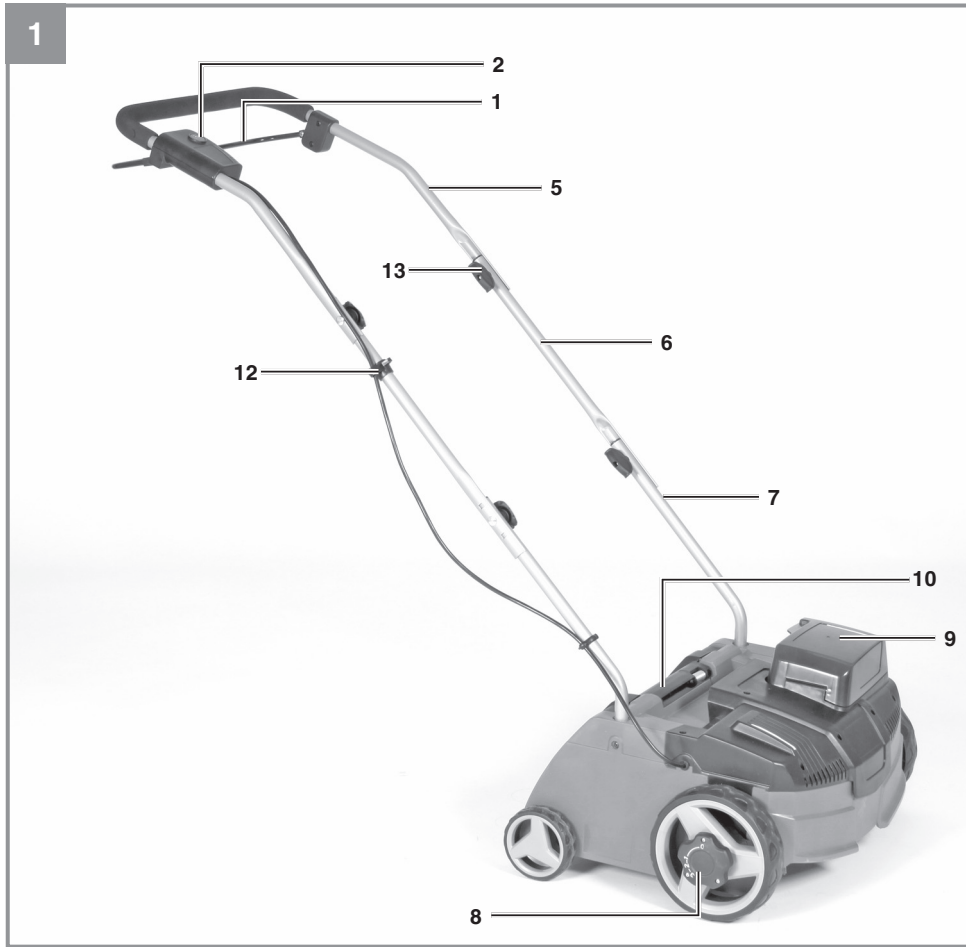
**GB Original operating instructions  
Cordless Scarifier and Lawn Ae-  
rator**

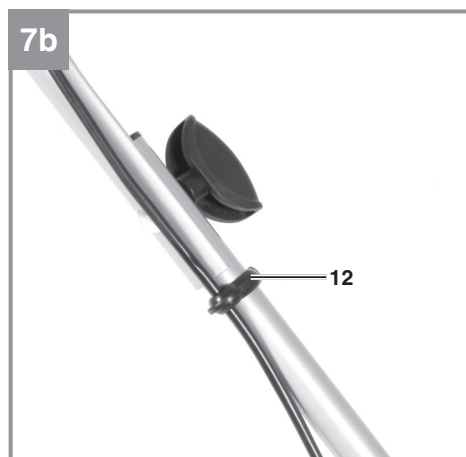
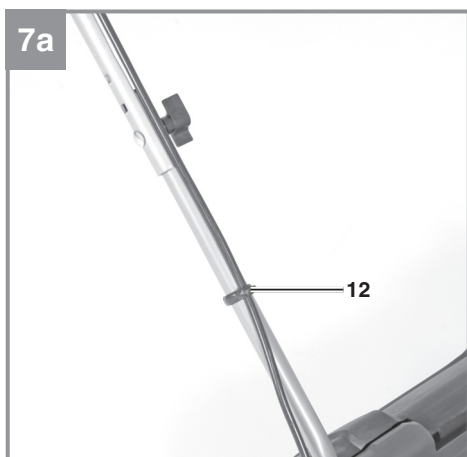
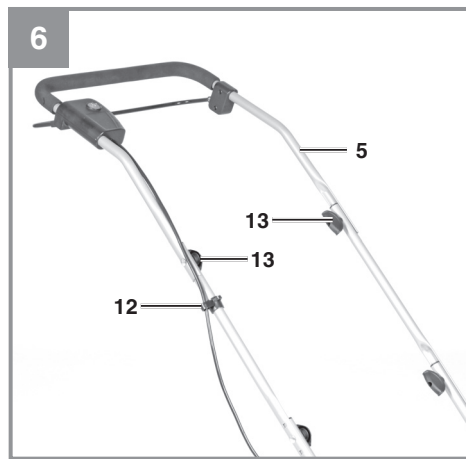
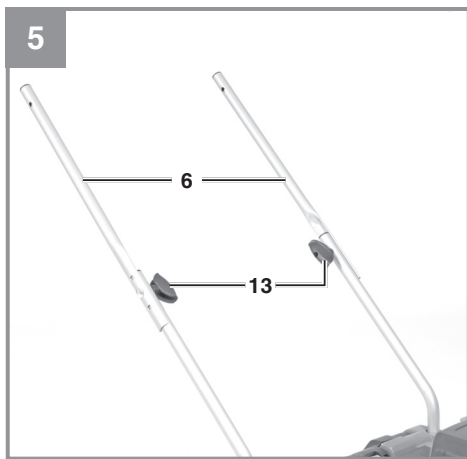
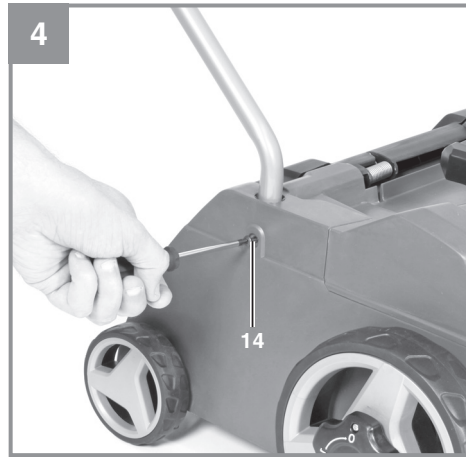
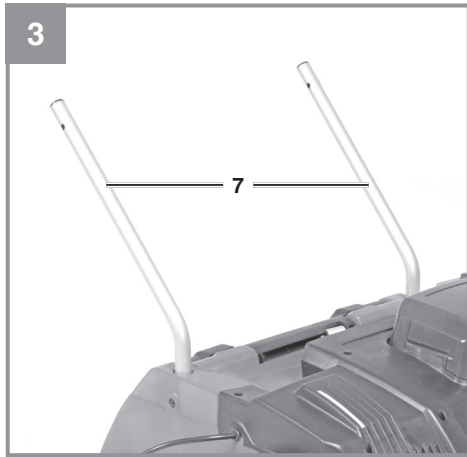


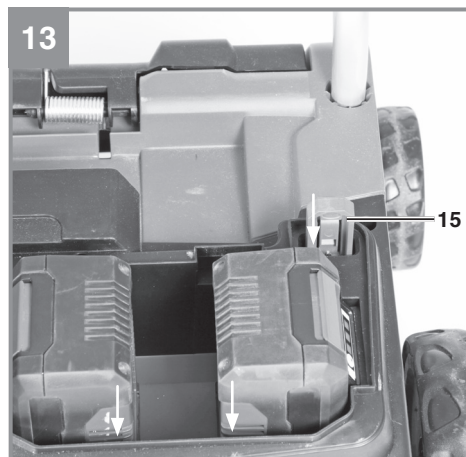
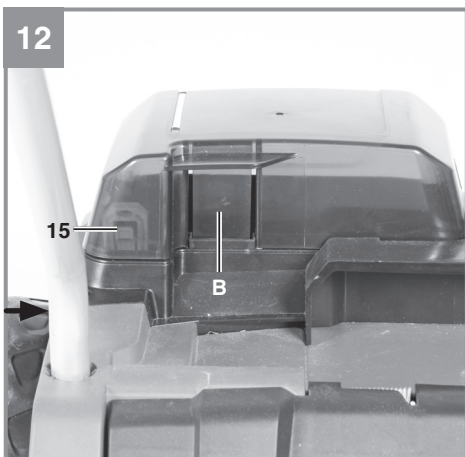
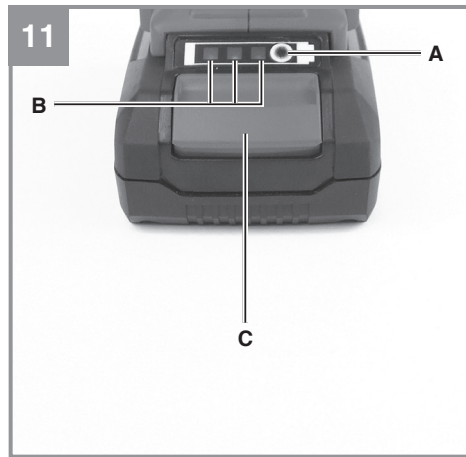
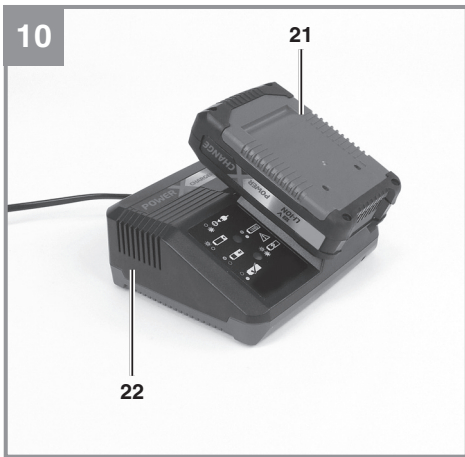
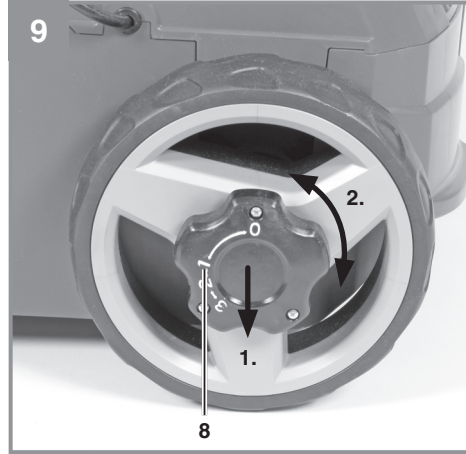
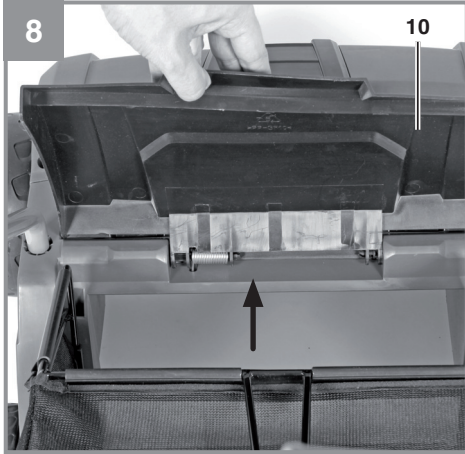
---

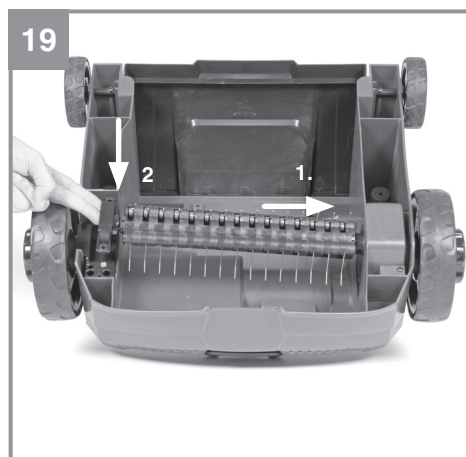
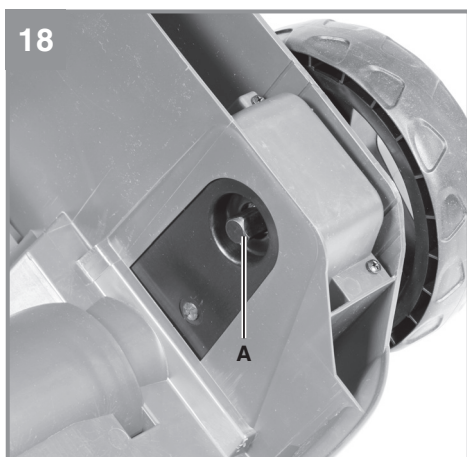
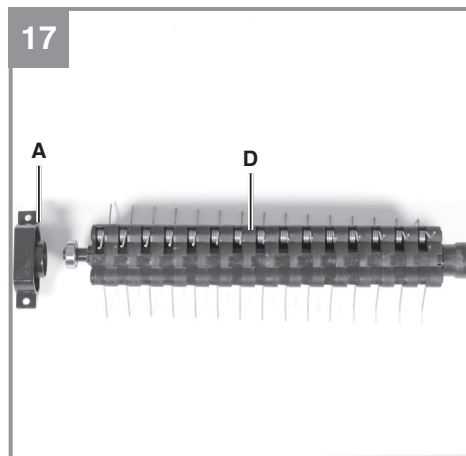
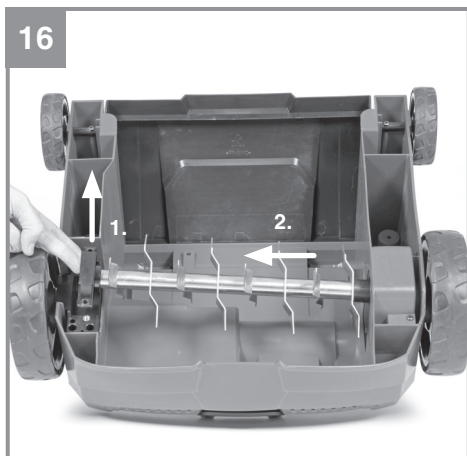
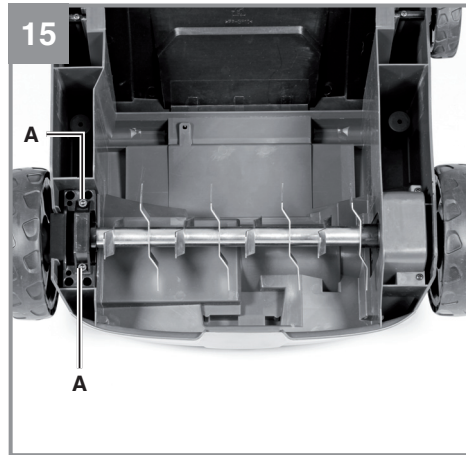
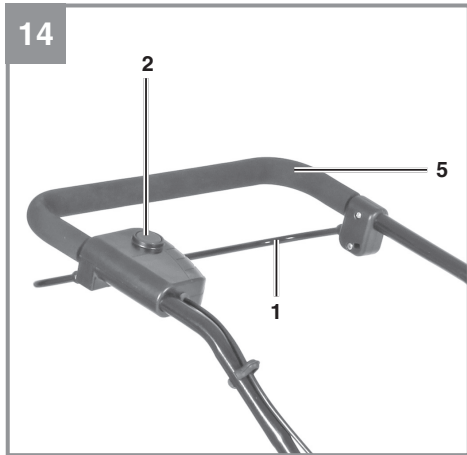
**EH-Art.-No.: 34.206.61**

**I.-No.: 11019**

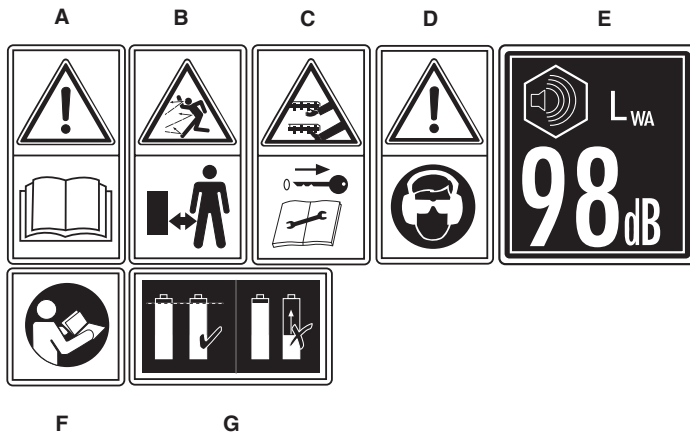








20



**Danger!**

When using the equipment, a few safety precautions must be observed to avoid injuries and damage. Please read the complete operating instructions and safety regulations with due care. Keep this manual in a safe place, so that the information is available at all times. If you give the equipment to any other person, hand over these operating instructions and safety regulations as well. We cannot accept any liability for damage or accidents which arise due to a failure to follow these instructions and the safety instructions.

## 1. Safety regulations

**Danger!****Read all safety regulations and instructions.**

Any errors made in following the safety regulations and instructions may result in an electric shock, fire and/or serious injury.

**Keep all safety regulations and instructions in a safe place for future use.****Safety information****1.1 General safety regulations for this electrical tool**

- The equipment is never allowed to be used by children, persons with reduced physical, sensory or mental capacities or insufficient experience and knowledge, or persons who are not familiar with the instructions.
- Children should be supervised so that they do not play with the equipment. Children are not allowed to carry out the cleaning or maintenance.

**1.2 Safety information for scarifiers**

- Check the equipment for damage each time before use. The equipment must never be used if damaged and must be placed out of service until completion of repairs by a specialist/our customer service.
- If the equipment vibrates excessively during operation, switch it off immediately and pull the safety plug. Tilt the equipment and examine the scarifier roller for anything which may have caused imbalance and remove it if necessary – be sure to wear gloves for this work to protect yourself against cuts. If this is not the cause – have the equipment repaired by our customer service.
- Or examine the equipment for damage and carry out any necessary repairs to damaged

parts. And examine the equipment for loose parts and tighten them well.

- Both hands must be on the handle when you start the equipment, and the equipment must be stood on the ground and must not be tilted.
- Safety components must be checked each time before use and must be replaced by our customer service if damaged.

**Warnings**

**Danger! Do not touch the teeth before the equipment is disconnected from the power supply and the teeth have reached a complete standstill.**

**Danger! Always disconnect from the power supply (e.g. pull out the safety plug)**

- **whenever you leave the equipment unattended;**
- **before unblocking a blocked tool;**
- **before checking, cleaning or carrying out any other work on the equipment;**
- **if a foreign body has been struck; whenever the equipment vibrates abnormally (examine immediately).**

**1.3 Starting up safely for scarifiers and aerators****1.3.1 Instruction**

- a) Read the instructions carefully. Familiarize yourself with the operator controls and proper use of the equipment.
- b) Never allow children or anyone who is not familiar with these instructions to use the equipment. Local regulations may set minimum age requirements for the user.
- c) It should be noted that the user of the equipment is personally responsible for accidents or hazards involving other persons or their property.

**1.3.2 Preparation**

- a) Always wear ear protection and protective goggles when using the equipment, as long as the equipment is in operation.
- b) Always wear sturdy, non-slip footwear and long trousers when using the equipment. Never use the equipment barefoot or in sandals. Avoid wearing loosely fitting clothes or clothing with hanging belts or ties.
- c) Carefully check the ground on which the equipment will be used and remove all objects that could be caught up by the equipment and violently flung out.
- d) Only use the equipment in the recommended

- e) position and only on a firm, level surface. Do not use the equipment on paved or graveled surfaces where material that could be catapulted out could cause injuries.
- f) Before switching on the equipment, always check all screws, nuts, bolts and other fastenings to ensure that they are secure and that all safety devices and protective grilles are in position. Worn or damaged stickers must be replaced.
- g) Never use the equipment in the direct vicinity of persons - especially children - or animals.

### 1.3.3 Operation

- a) Work only in broad daylight or in well-lit conditions.
- b) Do not use the equipment on wet grass.
- c) Always maintain good footing, especially on inclines.
- d) Walk, do not run.
- e) Always guide the equipment across slopes, i.e. never straight up or straight down.
- f) Be particularly careful when you change direction on a slope.
- g) Do not scurry or aerate on overly steep inclines.
- h) Be particularly careful when you turn the equipment around or pull it toward yourself.
- i) Stop the teeth whenever the mower has to be tilted for transporting over areas other than lawns and whenever it has to be moved from or to the area you want to work on.
- j) Never use the equipment if the safety devices or safety grilles are damaged, or without the attached safety devices, e.g. deflectors and/or catch baskets.
- k) Start the motor with caution in accordance with the operating instructions and ensure that your feet are far enough away from the teeth.
- l) Do not tilt the equipment when you start the motor unless the equipment must be raised off of the ground a little in order to start it. In this case, tilt it as little as absolutely necessary and only raise the side opposite to that of the user. Always make sure that both hands are in the working position before the equipment returns to the ground.
- m) Never transport the equipment while the drive is running.
- n) Never move your hands or feet toward or under any rotating parts. Keep clear of the chute opening at all times.
- o) Switch off the motor and pull the safety plug. Make sure that all moving parts have reached a complete standstill:

- 1) whenever you leave the equipment unattended;
- 2) before you remove any blockages or clogs in the chute;
- 3) before carrying out any checks, cleaning or other work on the equipment;
- 4) after the equipment strikes a foreign body. Inspect the equipment for damage and carry out any necessary repairs before you restart and use the equipment; if the equipment begins to experience exceptionally strong vibrations, switch it off immediately and check it;
- 5) search for damage;
- 6) repair the damaged parts as required;
- 7) examine the equipment for loose parts and tighten them well.

Never operate the equipment in poor weather conditions, especially if there is a risk of lightning.

Avoid abnormal working postures and always keep your balance so that you maintain a steady foothold on inclines at all times.

Warning! Do not touch any dangerous moving parts before you have pulled out the safety plug and the dangerous moving parts have come to a complete standstill.

Warning! Risk of injury from dangerous moving parts!

### 1.3.4 Maintenance and storage

- a) Make sure that all nuts, bolts and screws are tightened securely and that the equipment is in a safe working condition.
- b) Routinely check the catch basket for signs of wear and impaired functionality.
- c) For your own safety, replace worn or damaged parts without delay.
- d) Remember that on equipments with teeth units, the movement of one teeth unit may result in the other teeth units starting to rotate.
- e) While you are adjusting the equipment, take care not to jam your fingers between moving teeth and stationary parts of the equipment.
- f) Allow the motor to cool before you put the equipment away for any extended period of time.
- g) While you are carrying out maintenance work on the teeth, it is important to remember that the teeth can still be moved even if the drive has been switched off.



- h) For your own safety, replace worn or damaged parts without delay. Use only original spare parts and original accessories.
- i) If the equipment is stopped for maintenance, inspection or storage purposes or in order to replace an accessory, you must switch off the drive, pull the safety plug from the equipment and make sure that all moving parts have come to a complete standstill. Allow the equipment to cool before carrying out any inspections, adjustments, etc. Treat the equipment with care and keep it clean.
- j) Keep the equipment where it is out of children's reach.

### Service

**Have your power tool repaired only by trained personnel using only genuine spare parts.**

This will ensure that your power tool remains safe to use.

### CAREFUL HANDLING AND USE OF CORDLESS EQUIPMENT

- **Ensure that the equipment is switched off before you insert the battery.** Inserting a battery into an electric tool that is switched on can cause accidents.
- **Only charge the batteries in chargers that are recommended by the manufacturer.** A charger that is designed for a certain type of batteries may pose a fire risk if it is used with other types of batteries.
- **Use only the correct batteries in the electric tools.** The use of other batteries may result in injuries and a fire risk.
- **Keep unused batteries away from paper clips, coins, keys, nails, screws and other metallic objects that could cause a short circuit between the contacts.** A short circuit between the battery contacts may cause burns or a fire.
- **In case of incorrect use, fluid may escape from the battery. Avoid contact with it. If you touch it by mistake, rinse the affected area with water. If you get the fluid in your eyes, also seek medical advice.** Leaking battery fluid can cause skin irritation or burns.

### Additional safety instructions

We pay a great deal of attention to the design of every battery pack to ensure that we supply you with batteries which feature maximum power density, durability and safety. The battery cells have a wide range of safety devices. Each individual cell is initially formatted and its electrical charac-

teristic curves are recorded. These data are then used exclusively to be able to assemble the best possible battery packs. **Despite all the safety precautions, caution must always be exercised when handling batteries. The following points must be obeyed at all times to ensure safe use.**

**Safe use can only be guaranteed if undamaged cells are used. Incorrect handling can cause cell damage.**

**Important:** Analyses confirm that incorrect use and poor care are the main causes of the damage caused by high performance batteries.

### Information about the battery

1. The battery pack supplied with your cordless tool is not charged. The battery pack has to be charged before you use the tool for the first time.
2. For optimum battery performance avoid low discharge cycles. Charge the battery pack frequently.
3. Store the battery pack in a cool place, ideally at 15°C and charged to at least 40%.
4. Lithium-ion batteries are subject to a natural ageing process. The battery pack must be replaced at the latest when its capacity falls to just 80% of its capacity when new. Weakened cells in an aged battery pack are no longer capable of meeting the high power requirements and therefore pose a safety risk.
5. Do not throw battery packs into an open fire. There is a risk of explosion!
6. Do not ignite the battery pack or expose it to fire.
7. **Do not exhaustively discharge batteries.** Exhaustive discharge will damage the battery cells. The most common cause of exhaustive discharge is lengthy storage or non-use of partly discharged batteries. Stop working as soon as the performance of the battery falls noticeably or the electronic protection system triggers. Place the battery pack in storage only after it has been fully charged.
8. **Protect batteries and the tool from overloads.** Overloads will quickly result in overheating and cell damage inside the battery housing without this overheating actually being apparent externally.
9. **Avoid damage and shocks.** Replace batteries which have been dropped from a height of more than one meter or which have been exposed to violent shocks without delay, even if the housing of the battery pack appears to

be undamaged. The battery cells inside the battery may have suffered serious damage. In this respect, please also read the waste disposal information.

10. If the battery pack suffers overloading and overheating, the integrated protective cut-off will switch off the equipment for safety reasons. **Important.** Do not press the ON/OFF switch any more if the protective cut-off has actuated. This may damage the battery pack.
11. Use only original battery packs. The use of other batteries may result in injuries, explosion and a fire risk.

#### Information on chargers and the charging process

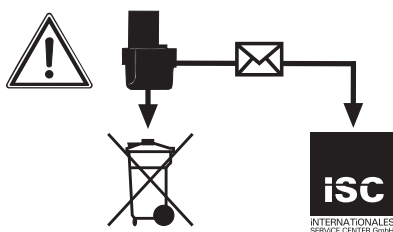
1. Please check the data marked on the rating plate of the battery charger. Be sure to connect the battery charger to a power supply with the voltage marked on the rating plate. Never connect it to a different mains voltage.
2. Protect the battery charger and its cable from damage and sharp edges. Have damaged cables repaired without delay by a qualified electrician.
3. Keep the battery charger, batteries and the cordless tool out of children's reach.
4. Do not use damaged battery chargers.
5. Do not use the supplied battery charger to charge other cordless tools.
6. In heavy use the battery pack will become warm. Allow the battery pack to cool to room temperature before commencing with the charging.
7. **Do not over-charge batteries.** Do not exceed the maximum charging times. These charging times only apply to discharged batteries. Frequent insertion of a charged or partly charged battery pack will result in over-charging and cell damage. Do not leave batteries in the charger for days on end.
8. **Never use or charge batteries if you suspect that the last time they were charged was more than 12 months previously.** There is a high probability that the battery pack has already suffered dangerous damage (exhaustive discharge).
9. Charging batteries at a temperature below 10°C will cause chemical damage to the cell and may cause a fire.
10. Do not use batteries which have heated during the charging process, as the battery cells may have suffered dangerous damage.
11. Do not use batteries which have suffered curvature or deformation during the charging

process or which show other non-typical symptoms (gassing, hissing, cracking,...)

12. Never fully discharge the battery pack (recommended depth of discharge max. 80%)  
A complete discharge of the battery pack will lead to premature ageing of the battery cells.
13. Never charge the batteries unsupervised.

#### Protection from environmental influences

1. Wear suitable work clothes. Wear safety goggles.
2. **Protect your cordless tool and the battery charger from moisture and rain.** Moisture and rain can cause dangerous cell damage.
3. Do not use the cordless tool or the battery charger near vapors and inflammable liquids.
4. Use the battery charger and cordless tools only in dry conditions and an ambient temperature of 10-40°C.
5. Do not keep the battery charger in places where the temperature is liable to reach over 40°C. In particular, do not leave the battery charger in a car that is parked in the sunshine.
6. **Protect batteries from overheating.** Overloads, over-charging and exposure to direct sunlight will result in overheating and cell damage. Never charge or work with batteries which have been overheated – replace them immediately if possible.
7. **Storage of batteries, battery chargers and cordless tools.** Store the charger and your cordless tool only in dry places with an ambient temperature of 10-40°C. Store your lithium-ion battery pack in a cool, dry place at a temperature of 10-20°C. Protect them from humidity and direct sunlight. Only place fully charged batteries in storage (charged at least 40%).
8. Prevent the lithium-ion battery pack from freezing. Battery packs which were stored below 0°C for more than 60 minutes must be disposed of.
9. When handling batteries beware of electrostatic charge: Electrostatic discharges cause damage of the electronic protection system and the battery cells. Avoid electrostatic charging and never touch the battery poles.



Rechargeable batteries and cordless electric machines and tools contain materials that are potentially harmful to the environment. Never place any cordless electric machines or tools in your household refuse. When cordless electric machines or tools become defective or worn, remove the rechargeable batteries and return them to iSC GmbH (address: Eschenstrasse 6, D-94405, Germany). If the rechargeable batteries cannot be removed, return the complete cordless machine or tool.

You can then be sure that the equipment will be correctly disposed of by the manufacturer.

**When shipping or disposing of batteries and cordless tools, always ensure that they are packed individually in plastic bags to prevent short circuits and fires.**

#### Do not lose these safety instructions

#### Explanation of the symbols used (see Fig. 20)

A = Important! Read the instructions before using for the first time.

B = Keep other persons away

C = Caution, sharp teeth, keep your hands and feet away. Pull out the safety plug before performing any maintenance, adjusting or cleaning work. The teeth continue running for a while after the motor has been switched off.

D = Wear hearing and eye protection.

E = Guaranteed sound power level

F = Important! Read the instructions before using for the first time.

G = Use only batteries which are charged to the same level

## 2. Layout and items supplied

### 2.1 Layout (Fig. 1/2)

1. ON/OFF switching bar
2. Safety lock-off
5. Top push bar
6. Bottom push bar
7. Push bar bracket
8. Depth adjustment
9. Battery cover
10. Ejector flap
12. Cable clips
13. Fastening screws for push bar
14. Retaining screws for push bar
15. Safety plug (Fig. 12,13)

### 2.2 Items supplied

Please check that the article is complete as specified in the scope of delivery. If parts are missing, please contact our service center or the sales outlet where you made your purchase at the latest within 5 working days after purchasing the product and upon presentation of a valid bill of purchase. Also, refer to the warranty table in the service information at the end of the operating instructions.

- Open the packaging and take out the equipment with care.
- Remove the packaging material and any packaging and/or transportation braces (if available).
- Check to see if all items are supplied.
- Inspect the equipment and accessories for transport damage.
- If possible, please keep the packaging until the end of the guarantee period.

#### Danger!

**The equipment and packaging material are not toys. Do not let children play with plastic bags, foils or small parts. There is a danger of swallowing or suffocating!**

- Cordless scarifier and lawn aerator
- Original operating instructions

### 3. Proper use

The basic version of the equipment is a scarifier intended for private use, i.e. for use in home and gardening environments. The scarifier roller is designed for ripping moss and weeds - complete with their roots - out of the soil and for loosening the soil. As a result your lawn can absorb nutrients better and is cleaned. We recommend you to scarify your lawn in the spring (April) and autumn (October).

With the additional aerator roller (Art. No. 3405572), available as an option, the equipment can be converted to a lawn aerator in just a few steps.

The aerating roller scratches the surface of the lawn, helping water to drain off more easily as well as promoting oxygen intake. Aerate your lawn throughout the growing period.

The equipment is intended for private use i.e. for use in home and gardening environments.

Scarifiers for private use are machines whose annual operating time generally does not exceed 10 hours, during which the machine is primarily used to maintain small-scale, residential lawns and home/hobby gardens. Public facilities, sporting halls, and agricultural/forestry applications are excluded.

The operating instructions as supplied by the manufacturer must be kept and referred to in order to ensure that the equipment is properly used and maintained. The instructions contain valuable information on operating, maintenance and servicing conditions.

**Warning!** Due to the high risk of bodily injury to the user, the equipment may not be used to grind up branch or hedge clippings. Moreover, the equipment may not be used as a power cultivator to level out high areas such as mole hills.

For safety reasons, the scarifier may not be used as a drive unit for other equipment or toolkits of any kind, unless specifically advised to do so by the manufacturer.

The equipment is to be used only for its prescribed purpose. Any other use is deemed to be a case of misuse. The user / operator and not the manufacturer will be liable for any damage or injuries of any kind caused as a result of this.

ries of any kind caused as a result of this.

Please note that our equipment has not been designed for use in commercial, trade or industrial applications. Our warranty will be voided if the machine is used in commercial, trade or industrial businesses or for equivalent purposes.

### 4. Technical data

Idle speed: .....3100/min  
 Protection class: .....III  
 Voltage: ..... 36 V DC  
 Working width: .....31 cm  
 Number of blades: ..... 8 double blades  
 Scarifying depth: .....-3 / 3 / 6 / 9 mm  
 $L_{pA}$  sound pressure level : ..... 80.5 dB(A)  
 Uncertainty K ..... 3 dB(A)  
 $L_{WA}$  sound power level : ..... 95.36 dB(A)  
 $L_{WA}$  sound power level guaranteed ..... 98 dB(A)  
 Uncertainty K: ..... 1.66 dB(A)  
 Vibration at the handlebars, max.: .....1.043 m/s<sup>2</sup>  
 Uncertainty K .....1.5 m/s<sup>2</sup>  
 Protection type: .....IPX1  
 Weight .....10.9 kg

#### Danger!

##### Sound and vibration

Sound and vibration values were measured in accordance with the standards EN ISO 3744, EN ISO 11201, ISO 11094 and EN ISO 20643.

#### Important!

The equipment is supplied without batteries and without a charger is allowed to be used only with the lithium-ion batteries of the Power-X-Change series!

The lithium-ion batteries of the Power-X-Change series are allowed to be charged only with the Power-X charger.

#### Keep the noise emissions and vibrations to a minimum.

- Only use appliances which are in perfect working order.
- Service and clean the appliance regularly.
- Adapt your working style to suit the appliance.
- Do not overload the appliance.
- Have the appliance serviced whenever necessary.

- Switch the appliance off when it is not in use.
- Wear protective gloves.

**Caution!****Residual risks**

**Even if you use this electric power tool in accordance with instructions, certain residual risks cannot be ruled out. The following hazards may arise in connection with the equipment's construction and layout:**

1. Damage to hearing if no suitable ear protection is used.
2. Health damage caused by hand-arm vibrations if the equipment is used over a prolonged period or is not properly guided and maintained.

**Danger!**

The electric power tool generates an electromagnetic field during operation. Under certain circumstances this field may actively or passively impede medical implants. To reduce the risk of serious or fatal injuries, we recommend persons with medical implants to consult their doctor and the manufacturer of the medical implant prior to using the equipment.

**5. Before starting the equipment****Warning!**

Always pull out the safety plug before performing any adjusting, repair, maintenance or cleaning work on the equipment.

The scarifier is delivered unassembled. The complete push bar must be assembled and mounted before using the scarifier.

Follow the operating instructions step-by-step and use the pictures provided as a visual guide to easily assemble the machine.

**Fitting the push bar holders (see Figs. 3 and 4)**

Slide the push bar holders (Fig. 3/Item 7) into the provided openings (Fig. 3) and fasten them with the retaining screws (Fig. 4/Item 14).

**Fitting the lower push bars (see Fig. 5)**

- Slide the lower push bars (Fig. 5/Item 6) onto the push bar holders.
- Screw the tubes together, using the screws supplied (Fig. 5/Item 13).

There are 3 assembly holes so that the height of the push bar can be adjusted to specific user requirements at any time. Use the hole which is best suited for you, making sure that you use the same hole on both sides.

**Fitting the upper push bar (see Fig. 6)**

- Position the upper push bar (Fig. 1/Item 5) such that its holes line up with the holes of the lower bar.
- Use the two socket head screws (Fig. 2/Item 13) to screw the tubes together.
- Use the cable clips (Fig. 7a/7b) to attach the power cable to the tubes of the push bars so that it is possible to open and shut the ejector flap.

Please ensure that the ejector flap can be opened and closed easily!

**Fitting the optional catch basket (see Fig. 8)**

The basic version of the equipment does not include a catch basket. This is available separately (Art. No. 3405577).

- To hang the grass basket on the scarifier you must lift the ejector flap (Item 10) with one hand and with the other hand take hold of the grass bag by the handle and hook it onto the scarifier from above.

**Danger!**

Before you ever hook the grass basket to the scarifier you must ensure that the motor is switched off and the cutting unit is not rotating.

**Adjusting the working depth (see Fig. 9)**

The scarifier depth is adjusted at the two front wheels using the adjustment mechanism. For this, pull out the adjusting screw and turn the wheel to the left or right into one of the available positions (0/1/2/3).

The scarifier depth must always be identically set on both sides!

- 0 = drive/transport position
- 1 = scarifier depth 3 mm
- 2 = scarifier depth 7 mm
- 3 = scarifier depth 9 mm

**Charging the battery (Fig. 10)**

The equipment is supplied without batteries and without a charger!

1. Take the battery pack out of the equipment. Do this by pressing the pushlock buttons (Fig. 11/Item C).
2. Check that your mains voltage is the same as that marked on the rating plate of the battery charger. Insert the power plug of the charger (22) into the socket outlet. The green LED will then begin to flash.
3. Insert the battery pack (21) into the battery charger (22).
4. In the section entitled „Charger indicator“ you will find a table with an explanation of the LED indicator on the charger.

The battery pack can become a little warm during the charging. This is normal.

If the battery pack fails to charge, check:

- whether there is voltage at the socket outlet
- whether there is good contact at the charging contacts

If the battery pack still fails to charge, send

- the charging unit
- and the battery pack

to our customer service center.

To ensure that the battery pack provides long service, you should take care to recharge it promptly. You must recharge the battery pack when you notice that the performance of the device drops. Never allow the battery pack to become fully discharged. This will cause it to develop a defect.

**Battery capacity indicator (Fig. 11)**

Press the switch for the battery capacity indicator (Item A). The battery capacity indicator (Item B) shows the charge status of the battery using 3 LEDs.

**All 3 LEDs are lit:**

The battery is fully charged.

**2 or 1 LED(s) are lit:**

The battery has an adequate remaining charge.

**1 LED flashes:**

The battery is empty, recharge the battery.

**All LEDs flash:**

The battery pack has undergone exhaustive discharge and is defective. Do not use or charge a defective battery pack.

**Installing the battery (Fig. 12-13)**

Open the battery cover. This is done by pressing the lock (B) as shown in Fig. 12 and swinging up the cover. Then insert the two batteries in the mounts as shown in Fig. 13 and push them forward until the batteries audibly latch into place.

**Note!**

Use only batteries which are charged to the same level. Never combine full and half-full batteries. Always charge the two batteries simultaneously. The equipment's operating time depends on the battery with the lower charge level. The two batteries must always be fully charged before use.

**6. Operation****Caution!**

The scarifier is equipped with a safety switch to prevent unauthorized use. Directly before starting up the scarifier insert the safety plug (Fig. 13/Item 15) and remove the safety plug again when interrupting or terminating your work.

To prevent accidental start-up of the scarifier, the push bar (Fig. 14/Item 5) is equipped with a safety lock-off (Fig. 14/Item 2) which must be pressed before the lever switch (Fig. 14/Item 1) can be pressed. The start time for the equipment can amount to several seconds. If the lever switch is released, the scarifier switches off. Repeat this process several times so that you are sure that your equipment functions properly. Always pull out the safety plug before performing any adjusting, repair, maintenance or cleaning work on the equipment. Make sure that the spike drum is not rotating.

**Danger!** Never open the ejector flap when the motor is running. A rotating cutting unit can cause injuries. Always fasten the ejector flap carefully. The flap flips back to the "Closed" position by the tension springs! Always ensure that a safe distance (provided by the long handles) is maintained between the user and the housing. Be especially careful when scarifying and changing direction on slopes and inclines. Maintain a solid footing and wear sturdy, non-slip footwear and

long trousers. Always scarify along the incline (not up and down). For safety reasons, the scarifier may not be used to scarify inclines whose gradient exceeds 15 degrees.

Use special caution when backing up and pulling the scarifier (tripping hazard)!

#### Tips for proper working

It is recommended that you overlap scarifying paths a little.

There are two markings on the housing (Fig. 2/ Item A) which correspond to the width of the scarifier and aerator rollers.

Try to scarify in straight lines for a nice, clean look. Insodoing, the aeration swaths should always overlap each other by a few centimeters in order to avoid bare strips.

If you use the catch bag which is available as an option, it has to be emptied as soon as grass clippings start to trail behind during scarifying.

**Danger! Before taking off the grass basket, switch off the motor and wait until the roller has come to a stop.**

To remove the grass basket, lift up the ejector flap with one hand, while unhooking the basket with the other.

How frequently you should scarify your lawn is determined primarily by the speed at which the grass grows and the hardness of the soil. Keep the underside of the equipment clean and remove soil and grass build-up. Deposits make it more difficult to start the aerator and decrease the quality of the scarifying.

Always scarify along inclines (not up and down). Switch off the motor before doing any checks on the roller.

#### Danger!

The roller rotates for a few seconds after the motor is switched off. Never attempt to stop the roller. In the event that the rotating roller strikes an object, immediately switch off the equipment and wait for the roller to come to a complete stop. Then inspect the condition of the roller. Replace any parts that are damaged (see section 7.3).

#### Tips on aerating properly with the aerator roller available as an option.

The way of working for aerating is the same as for scarifying.

You should therefore observe these safety instructions and notes on working practice.

## 7. Cleaning, maintenance and ordering of spare parts

### Danger!

Always pull out the safety plug before performing any adjusting, repair, maintenance or cleaning work on the equipment. Make sure that the spike drum is not rotating.

#### 7.1 Cleaning

- Keep all safety devices, air vents and the motor housing free of dirt and dust as far as possible. Wipe the equipment with a clean cloth or blow it with compressed air at low pressure.
- We recommend that you clean the device immediately each time you have finished using it.
- Clean the equipment regularly with a moist cloth and some soft soap. Do not use cleaning agents or solvents; these could attack the plastic parts of the equipment. Ensure that no water can seep into the device. The ingress of water into an electric tool increases the risk of an electric shock.

#### 7.2 Maintenance

- A worn out or damaged cutting unit should be replaced by an authorised expert (see address on the warranty certificate).
- Take care that all fastening elements (screws, nuts, etc.) are firmly tightened, so that you can work safely with the scarifier.
- Store the scarifier in a dry place.
- For longer life, all screw-fastened parts, such as wheels and axles should be cleaned and subsequently oiled.
- Regular servicing of the scarifier not only secures longer endurance and performance, but also contributes to an accurate and simple scarification of your lawn.
- At the end of the season, carry out a general check of the scarifier, and remove all residue collected. Before the start of every season, it is absolutely necessary to check the state of the scarifier. Contact our Customer Service

(see address on the warranty certificate) if repair work is necessary.

### 7.3 Changing the roller (see Figures 15-19)

Be sure to wear work gloves!

Only replace the roller with a genuine Einhell roller, as this will ensure top performance and safety under all conditions.

To change the scarifier roller or the optionally available aerator roller (Fig. 17/Item D, Art. No.: 34.055.72), proceed as follows: Remove the two socket head screws (Fig. 15/Item A). Lift the roller on this side and pull out in the direction of the arrow (Fig. 16). Pull the holder (Fig. 17/Item A) off the roller used before and then fit it to the roller to be used now. Slide the new roller in the direction of the arrow (Fig. 19) onto the square-ended drive (Fig. 18/Item A) and press into the holder (Fig. 19). Use the two socket head screws (Fig. 18/Item A) to secure the roller again.

Apply grease to the square-ended drive from time to time so that the rollers can be changed easily.

### 7.4 Ordering replacement parts:

Please quote the following data when ordering replacement parts:

- Type of machine
- Article number of the machine
- Identification number of the machine
- Replacement part number of the part required

For our latest prices and information please go to [www.isc-gmbh.info](http://www.isc-gmbh.info)

**Replacement cutting unit Art. No.: 34.055.82**

## 8. Storage and transport

### Storage

Store the equipment and accessories out of children's reach in a dark and dry place at above freezing temperature. The ideal storage temperature is between 5 and 30 °C. Store the machine in its original packaging.

### Transport

- Switch the machine off and isolate it from the power supply before transporting it.
- Fit the shipping protectors, if any.
- Protect the machine from damage and the strong vibrations that can occur particularly when transporting in vehicles.
- Secure the machine against slipping and tipping over.

## 9. Disposal and recycling

The equipment is supplied in packaging to prevent it from being damaged in transit. The raw materials in this packaging can be reused or recycled. The equipment and its accessories are made of various types of material, such as metal and plastic. Never place defective equipment in your household refuse. The equipment should be taken to a suitable collection center for proper disposal. If you do not know the whereabouts of such a collection point, you should ask in your local council offices.



## 10. Charger indicator

Indicator status		Explanations and actions
Red LED	Green LED	
Off	Flashing	<p><b>Ready for use</b> The charger is connected to the mains and is ready for use; there is no battery pack in the charger</p>
On	Off	<p><b>Charging</b> The charger is charging the battery pack in quick charge mode. The charging times are shown directly on the charger. Important! The actual charging times may vary slightly from the stated charging times depending on the existing battery charge.</p>
Off	On	<p><b>The battery is charged and ready for use.</b> The unit then changes over to gentle charging mode until the battery is fully charged. To do this, leave the rechargeable battery on the charger for approx. 15 minutes longer. <b>Action:</b> Take the battery pack out of the charger. Disconnect the charger from the mains supply.</p>
Flashing	Off	<p><b>Adapted charging</b> The charger is in gentle charging mode. For safety reasons the charging is performed less quickly and takes more time. The reasons can be: - The rechargeable battery has not been used for a very long time. - The battery temperature is outside the ideal range. <b>Action:</b> Wait for the charging to be completed; you can still continue to charge the battery pack.</p>
Flashing	Flashing	<p><b>Fault</b> Charging is no longer possible. The battery pack is defective. <b>Action:</b> Never charge a defective battery pack. Take the battery pack out of the charger.</p>
On	On	<p><b>Temperature fault</b> The battery pack is too hot (e.g. due to direct sunshine) or too cold (below 0° C). <b>Action:</b> Remove the battery pack and keep it at room temperature (approx. 20° C) for one day .</p>

## 11. Troubleshooting guide

Fault	Possible causes	Rectification
Motor does not start	<ul style="list-style-type: none"> <li>a) Internal terminals disconnected</li> <li>b) Safety lock-off defective</li> <li>c) Scarifier housing clogged</li> <li>d) Safety plug is not connected</li> <li>e) Battery is not correctly inserted</li> </ul>	<ul style="list-style-type: none"> <li>a) By customer service workshop</li> <li>b) By customer service workshop</li> <li>c) Change the scarifying depth if necessary; clean the housing so that the spike drum can move freely</li> <li>d) Connect safety plug (see 6.)</li> <li>e) Remove battery and insert again (see 5.)</li> </ul>
Engine performance drops	<ul style="list-style-type: none"> <li>a) Soil is too firm</li> <li>b) Housing clogged</li> <li>c) Roller badly worn</li> </ul>	<ul style="list-style-type: none"> <li>a) Change working depth</li> <li>b) Clean housing</li> <li>c) Replace roller</li> </ul>
Imprecise scarifying result	<ul style="list-style-type: none"> <li>a) roller worn</li> <li>b) Wrong working depth</li> </ul>	<ul style="list-style-type: none"> <li>a) Replace roller</li> <li>b) Correct working depth</li> </ul>
Motor is running, roller is not rotating	<ul style="list-style-type: none"> <li>a) Toothed belt is torn</li> </ul>	<ul style="list-style-type: none"> <li>a) By customer service workshop</li> </ul>

**Important notice! To protect the motor it is equipped with a thermal overload switch which cuts out when overloaded and starts again automatically after a short cooling-down period.**



For EU countries only

Never place any electric power tools in your household refuse.

To comply with European Directive 2012/19/EC concerning old electric and electronic equipment and its implementation in national laws, old electric power tools have to be separated from other waste and disposed of in an environment-friendly fashion, e.g. by taking to a recycling depot.

Recycling alternative to the return request:

As an alternative to returning the equipment to the manufacturer, the owner of the electrical equipment must make sure that the equipment is properly disposed of if he no longer wants to keep the equipment. The old equipment can be returned to a suitable collection point that will dispose of the equipment in accordance with the national recycling and waste disposal regulations. This does not apply to any accessories or aids without electrical components supplied with the old equipment.

The reprinting or reproduction by any other means, in whole or in part, of documentation and papers accompanying products is permitted only with the express consent of the iSC GmbH.

Subject to technical changes

## Service information

We have competent service partners in all countries named on the guarantee certificate whose contact details can also be found on the guarantee certificate. These partners will help you with all service requests such as repairs, spare and wearing part orders or the purchase of consumables.

Please note that the following parts of this product are subject to normal or natural wear and that the following parts are therefore also required for use as consumables.

Category	Example
Wear parts*	V-belt, Roller, Battery
Consumables*	
Missing parts	

\* Not necessarily included in the scope of delivery!

In the event of defects or faults, please register the problem on the internet at [www.isc-gmbh.info](http://www.isc-gmbh.info). Please ensure that you provide a precise description of the problem and answer the following questions in all cases:

- Did the equipment work at all or was it defective from the beginning?
- Did you notice anything (symptom or defect) prior to the failure?
- What malfunction does the equipment have in your opinion (main symptom)?  
Describe this malfunction.

## Warranty certificate

Dear Customer,

All of our products undergo strict quality checks to ensure that they reach you in perfect condition. In the unlikely event that your device develops a fault, please contact our service department at the address shown on this guarantee card. You can also contact us by telephone using the service number shown.

Please note the following terms under which guarantee claims can be made:

1. These guarantee terms apply to consumers only, i.e. natural persons intending to use this product neither for their commercial activities nor for any other self-employed activities. These warranty terms regulate additional warranty services, which the manufacturer mentioned below promises to buyers of its new products in addition to their statutory rights of guarantee. Your statutory guarantee claims are not affected by this guarantee. Our guarantee is free of charge to you.
2. The warranty services cover only defects due to material or manufacturing faults on a product which you have bought from the manufacturer mentioned below and are limited to either the rectification of said defects on the product or the replacement of the product, whichever we prefer.  
Please note that our devices are not designed for use in commercial, trade or professional applications. A guarantee contract will not be created if the device has been used by commercial, trade or industrial business or has been exposed to similar stresses during the guarantee period.
3. The following are not covered by our guarantee:
  - Damage to the device caused by a failure to follow the assembly instructions or due to incorrect installation, a failure to follow the operating instructions (for example connecting it to an incorrect mains voltage or current type) or a failure to follow the maintenance and safety instructions or by exposing the device to abnormal environmental conditions or by lack of care and maintenance.
  - Damage to the device caused by abuse or incorrect use (for example overloading the device or the use of unapproved tools or accessories), ingress of foreign bodies into the device (such as sand, stones or dust, transport damage), the use of force or damage caused by external forces (for example by dropping it).
  - Damage to the device or parts of the device caused by normal or natural wear or tear or by normal use of the device.
4. The guarantee is valid for a period of 24 months starting from the purchase date of the device. Guarantee claims should be submitted before the end of the guarantee period within two weeks of the defect being noticed. No guarantee claims will be accepted after the end of the guarantee period. The original guarantee period remains applicable to the device even if repairs are carried out or parts are replaced. In such cases, the work performed or parts fitted will not result in an extension of the guarantee period, and no new guarantee will become active for the work performed or parts fitted. This also applies if an on-site service is used.
5. To make a claim under the guarantee, please register the defective device at: [www.isc-gmbh.info](http://www.isc-gmbh.info). Please keep your bill of purchase or other proof of purchase for the new device. Devices that are returned without proof of purchase or without a rating plate shall not be covered by the guarantee, because appropriate identification will not be possible. If the defect is covered by our guarantee, then the item in question will either be repaired immediately and returned to you or we will send you a new replacement.

Of course, we are also happy offer a chargeable repair service for any defects which are not covered by the scope of this guarantee or for units which are no longer covered. To take advantage of this service, please send the device to our service address.

Also refer to the restrictions of this warranty concerning wear parts, consumables and missing parts as set out in the service information in these operating instructions.

**Konformitätserklärung**

- D** erklårt folgende Konformität gemäß EU-Richtlinie und Normen für Artikel
- GB** explains the following conformity according to EU directives and norms for the following product
- F** déclare la conformité suivante selon la directive CE et les normes concernant l'article
- I** dichiara la seguente conformità secondo la direttiva UE e le norme per l'articolo
- NL** verklaart de volgende overeenstemming conform EU richtlijn en normen voor het product
- E** declara la siguiente conformidad a tenor de la directiva y normas de la UE para el artículo
- P** declara a seguinte conformidade, de acordo com as diretiva CE e normas para o artigo
- DK** attesterer følgende overensstemmelse i medfør af EU-direktiv samt standarder for artikel
- S** förklarar följande överensstämmelse enl. EU-direktiv och standarder för artikeln
- FIN** vakuuttaa, että tuote täyttää EU-direktiivin ja standardien vaatimukset
- EE** tõendab toote vastavust EL direktiivile ja standarditele
- CZ** vydává následující prohlášení o shodě podle směrnice EU a norem pro výrobek
- SLO** potrjuje sledečo skladnost s smernico EU in standardi za izdelek
- SK** vydáva nasledujúce prehlásenie o zhode podľa smernice EÚ a noriem pre výrobok
- H** a cikkekhez az EU-irányvonal és Normák szerint a következő konformitást jelenti ki
- PL** deklaruje zgodność wymienionego ponizej artykułu z następującymi normami na podstawie dyrektywy WE.
- BG** декларира съответното съответствие съгласно Директива на ЕС и норми за артикул
- LV** paskaidro šādu atbilstību ES direktīvai un standartiem
- LT** apibūdina šį atitikimą EU reikalavimams ir prekės normoms
- RO** declară următoarea conformitate conform directivei UE și normelor pentru articolul
- GR** δηλώνει την ακόλουθη συμμόρφωση σύμφωνα με την Οδηγία ΕΚ και τα πρότυπα για το προϊόν
- HR** potvrđuje sljedeću usklađenost prema smjernicama EU i normama za artikl
- BIH** potvrđuje sljedeću usklađenost prema smjernicama EU i normama za artikl
- RS** potvrđuje sledeću usklađenost prema smernicama EZ i normama za artikal
- RUS** следующим удостоверяется, что следующие продукты соответствуют директивам и нормам ЕС
- UKR** проголошує про зазначену нижче відповідність виробу директивам та стандартам ЄС на виріб
- MK** ja izjavува следната сообразност согласно EU-директивата и нормите за артикли
- TR** Ürünü ile ilgili AB direktifleri ve normları gereğince aşağıda açıklanan uygunluğu belirtir
- N** erklærer følgende samsvar i henhold til EU-direktivet og standarder for artikkel
- IS** Lýsir uppfyllingu EU-reglna og annarra staðla vöru

**Cordless Scarifier and Lawn Aerator PXCLSS-0182U (Ozito)**

- 2014/29/EU
- 2005/32/EC\_2009/125/EC
- 2014/35/EU
- 2006/28/EC
- 2014/30/EU
- 2014/32/EU
- 2014/53/EU
- 2014/68/EU
- (EU)2016/426  
Notified Body:
- (EU)2016/425
- 2011/65/EU\_(EU)2015/863
- 2006/42/EC
- Annex IV  
Notified Body:  
Reg. No.:
- 2000/14/EC\_2005/88/EC
- Annex V
- Annex VI  
Noise: measured L<sub>WA</sub> = 95,36 dB (A); guaranteed L<sub>WA</sub> = 98 dB (A)  
P = KW; L/Ø = 31 cm  
Notified Body:
- 2012/46/EU\_(EU)2016/1628  
Emission No.:

**Standard references: EN 60335-1; EN 50636-2-92; EN 62233; EN 55014-1; EN 55014-2;**

Landau/Isar, den 23.07.2019

Andreas Weichselgartner/General-Manager

Gao/Product-Management

First CE: 18  
Art.-No.: 34.206.61 I.-No.: 11019  
Subject to change without notice

Archive-File/Record: NAPR021928  
Documents registrar: Scheifl Alexander  
Wiesenweg 22, D-94405 Landau/Isar



A series of horizontal lines for writing, starting from the top right and extending down to the bottom of the page.



A series of 20 horizontal lines for writing, starting from the line where the pencil is positioned and extending down the page.





A series of horizontal lines for writing, starting from the top right and extending down to the bottom of the page.



EH 08/2019 (01)

