



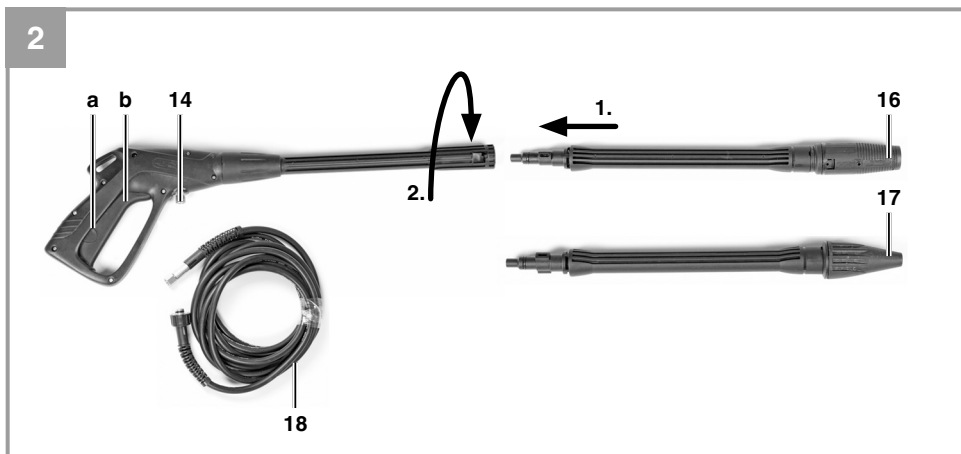
BHP 1435

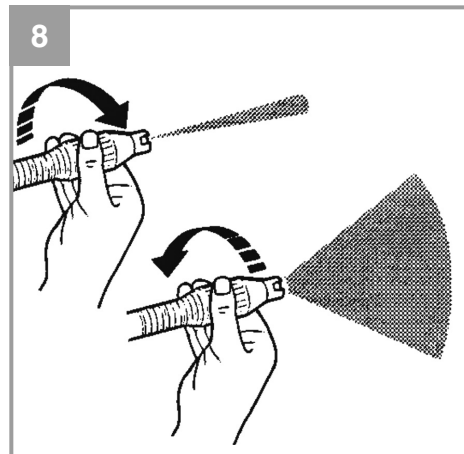
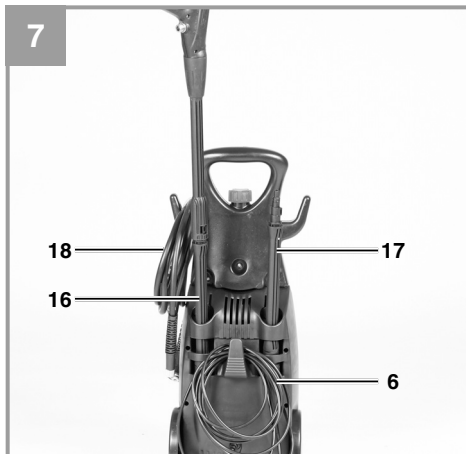
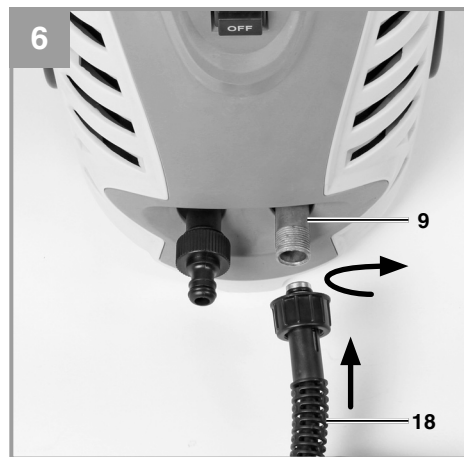
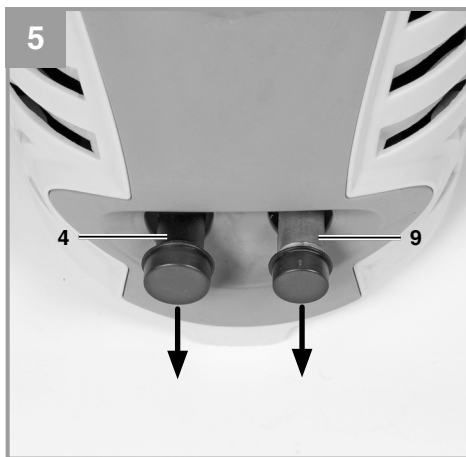
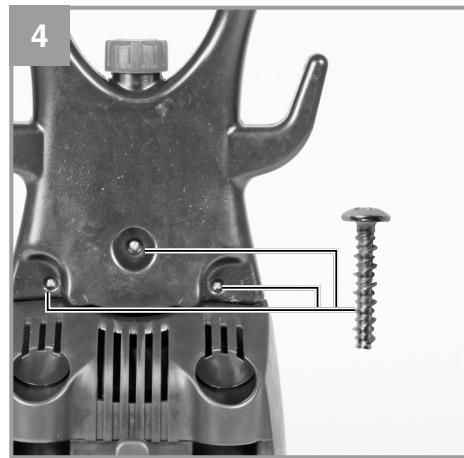
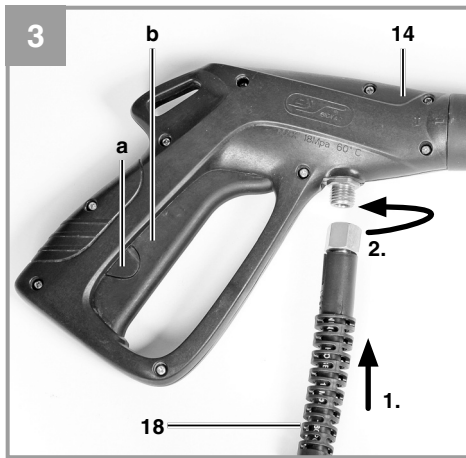
GB Original operating instructions
High Pressure Cleaner

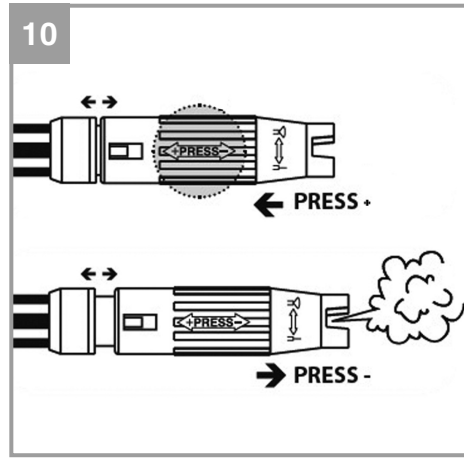
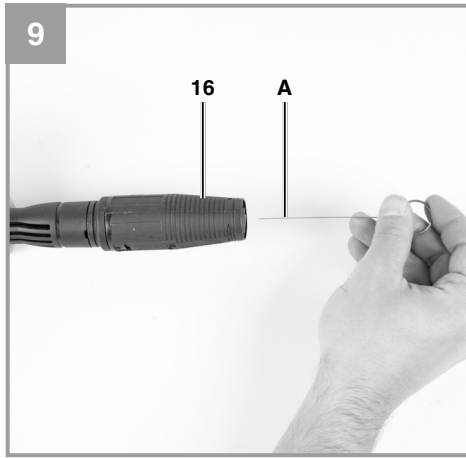


Art.-Nr.: 41.404.87

I.-Nr.: 11013









GB



Please read these instructions carefully before installing and operating the equipment!



Wear ear-muffs. The impact of noise can cause damage to hearing.



Wear safety goggles. Sparks generated during working or splinters, chips and dust emitted by the device can cause loss of sight.



Warning! High-pressure jets can be dangerous if not used properly. Do not direct the jet at persons, animals, live electrical equipment or the pressure cleaner itself.



This machine is not suitable for connecting to the drinking water network (see 5.2.2).



⚠ Important!

When using the equipment, a few safety precautions must be observed to avoid injuries and damage. Please read the complete operating instructions and safety regulations with due care. Keep this manual in a safe place, so that the information is available at all times. If you give the equipment to any other person, hand over these operating instructions and safety regulations as well. We cannot accept any liability for damage or accidents which arise due to a failure to follow these instructions and the safety instructions.

1. Safety regulations

The corresponding safety information can be found in the enclosed booklet.

⚠ Caution!

Read all safety regulations and instructions.

Any errors made in following the safety regulations and instructions may result in an electric shock, fire and/or serious injury.

Keep all safety regulations and instructions in a safe place for future use.

2. Layout and items supplied

2.1 Layout (Fig. 1-2)

1. Handle
2. Accessory mount
3. On/Off switch
4. Water inlet connector
5. Pressure cleaner
6. Power cable
7. Seal
8. Power plug
9. Connector for high-pressure hose
10. Cleaning agent tank
11. Transport wheels
12. Gun
13. Solid cone/flat fan lance
14. Lance with rotating nozzle
15. High-pressure hose

A. Wire

2.2 Items supplied

Please check that the article is complete as specified in the scope of delivery. If parts are missing, please contact our service center or the nearest branch of the DIY store where you made your purchase at the latest within 5 work days after purchasing the article and upon presentation of a valid bill of purchase. Also, refer to the warranty table in the warranty provisions at the end of the operating instructions.

- Open the packaging and take out the equipment with care.
- Remove the packaging material and any packaging and/or transportation braces (if available).
- Check to see if all items are supplied.
- Inspect the equipment and accessories for transport damage.
- If possible, please keep the packaging until the end of the guarantee period.

Important!

The equipment and packaging material are not toys. Do not let children play with plastic bags, foils or small parts. There is a danger of swallowing or suffocating!

- Original operating instructions
- Safety instructions

3. Proper use

The pressure cleaner is designed to clean vehicles, machines, buildings, facades, etc. in the private sector.

The equipment is to be used only for its prescribed purpose. Any other use is deemed to be a case of misuse. The user / operator and not the manufacturer will be liable for any damage or injuries of any kind caused as a result of this.

Please note that our equipment has not been designed for use in commercial, trade or industrial applications. Our warranty will be voided if the machine is used in commercial, trade or industrial businesses or for equivalent purposes.

This appliance is not intended for use by persons (including children) with reduced physical, sensory or mental capabilities, or lack of experience and knowledge, unless they have been given supervision or instruction concerning use of the



appliance by a person responsible for their safety. Children should be supervised to ensure that they do not play with the appliance.

4. Technical data

Mains voltage: 230 V ~ 50 Hz
 Power input: 2000 W
 Rated pressure: 9.5 MPa (95 bar)
 Permissible pressure: max. 14 MPa (140 bar)
 Delivery rate: 6 l/min
 Max. water inlet pressure: 0.6 MPa (6 bar)
 Totally insulated: II /
 Weight: 6.7 kg

Sound and vibration

Sound and vibration values were measured in accordance with EN 60335-1.

L_{pA} sound pressure level 77 dB(A)
 K_{pA} uncertainty 3 dB
 L_{WA} sound power level 94 dB(A)
 K_{WA} uncertainty 3 dB

Wear ear-muffs.

The impact of noise can cause damage to hearing.

Total vibration values (vector sum of three directions) determined in accordance with EN 60335-1.

Vibration emission value $a_h \leq 2.5 \text{ m/s}^2$
 K uncertainty = 1.5 m/s^2

Warning!

The specified vibration value was established in accordance with a standardized testing method. It may change according to how the electric equipment is used and may exceed the specified value in exceptional circumstances.

The specified vibration value can be used to compare the equipment with other electric power tools.

The specified vibration value can be used for initial assessment of a harmful effect.

Keep the noise emissions and vibrations to a minimum.

- Only use appliances which are in perfect working order.
- Service and clean the appliance regularly.
- Adapt your working style to suit the appliance.
- Do not overload the appliance.
- Have the appliance serviced whenever necessary.
- Switch the appliance off when it is not in use.
- Wear protective gloves.

Residual risks

Even if you use this electric power tool in accordance with instructions, certain residual risks cannot be ruled out. The following hazards may arise in connection with the equipment's construction and layout:

1. Lung damage if no suitable protective dust mask is used.
2. Damage to hearing if no suitable ear protection is used.
3. Health damage caused by hand-arm vibrations if the equipment is used over a prolonged period or is not properly guided and maintained.

5. Before starting the equipment

5.1 Using the equipment correctly

- The pressure cleaner must be stood on a level, stable surface.
- It is recommended that you adopt the correct operating position every time you use the equipment, with one hand on the gun and the other on the lance.
- Never direct the water jet at electrical lines or the equipment itself.
- So that the pump does not suffer any damage when it is not in use, a small amount of leakage from the pump is normal.
- Never use the machine in potentially explosive areas under any circumstances!
- The operating temperature must be between +5 and + 60°C.
- Do not cover or modify the lance or the spray nozzles in any way.
- The pressure cleaner is designed to be used with cold or lukewarm water (max. 40 °C); higher temperatures can damage the pump.
- Do not use water that is dirty, gritty or contains any chemical products, as these could impair operation and shorten the life of the

equipment.

Caution: Risk of explosion

Do not spray flammable liquids.

Warning

Water that has passed through the non-return valve is not drinkable.

Warning

If cleaning agent gets into contact with your skin or into your eye, rinse immediately with lots of clean water. Then consult a doctor or follow the steps described on the safety data sheet or provided by the manufacturer of the cleaning agent.

5.2 Assembly

5.2.1 Assembling the equipment

Assemble the pressure cleaner as shown in Figure 2-6.

5.2.2 Water inlet connector (Fig. 1/4)

The connection for the water inlet (4) is equipped with a connector for standard hose coupling systems. Plug the hose coupling on the supply hose (min. Ø 1/2") to the water inlet connector (4).

A backflow preventer must be installed between the drinking water and the pressure cleaner! Ask your local plumber about this.

5.2.3 Connecting the high-pressure hose (Fig. 1-3; 5-6)

Remove the transport brace as shown in Figure 5 from the high-pressure hose connector (9). Connect the high-pressure hose (18) to the connector on the pressure cleaner (9) and to the connector on the spray gun (14).

5.2.4 Fitting the gun attachments

You can attach either the normal lance or the lance with rotating nozzle (Fig. 2) before the pressure cleaner is used.

Solid cone / flat fan lance (16)

The shape of the water jet can be changed from solid cone to flat fan by turning the nozzle (Fig. 8).

Lance with rotating nozzle (17)

To remove particularly stubborn dirt, use the lance with the rotating nozzle (17).

5.2.5 Electrical connections (Fig. 1)

- Before you connect the equipment to the power supply make sure that the data on the rating plate are identical to the supply voltage.
- If you use any extension cables, make sure that they are suitable for outdoor use and have large enough wires:
1 – 10 m: 1.5 mm²
10-30m: 2.5 mm²
- Insert the power plug (8) on the power cable (6) into the socket outlet.

6. Operation

The equipment consists of an assembly with a pump, which is encased in a shock absorbing housing. For an optimal working position the equipment comes with a lance and a non-slip gun, whose shape and configuration comply with the applicable regulations.

6.1 Using for the first time

Once you have completely assembled the pressure cleaner and made all the connections, proceed as follows:

Open the water inlet. Press safety pin „a“ (Fig. 2) on the spray gun and pull back trigger lever „b“ (Fig. 2) in order to bleed the trapped air out of the equipment.

Turn on the equipment by switching the On/Off switch (Fig. 1/3) to "ON".

To turn off, release the trigger lever (b). The equipment will then go into standby. As soon as you press the trigger lever (b) again, the pressure cleaner will restart.

To turn off the pressure cleaner completely, set the On/Off switch (Fig. 1/3) to "OFF".

6.2 Using detergent

- Fill the detergent tank (10) with a suitable cleaning agent.
- The detergent will be added automatically in low-pressure mode.
- Detergent may be used only together with the following accessories.

6.2.1 Using detergent with the solid cone / flat fan lance

Set the solid cone / flat fan lance (Fig. 10) to low-pressure mode (n).

6.3 Holder for the gun/accessories (Fig. 7)

To save space when not in use, the gun and accessories can be kept in the holder provided.

Caution! Before using the pressure cleaner, make sure that the high-pressure hose is completely unwound.

7. Replacing the power cable

If the power cable for this equipment is damaged, it must be replaced by the manufacturer or its after-sales service or similarly trained personnel to avoid danger.

8. Cleaning, maintenance and ordering of spare parts

Always pull out the mains power plug before starting any cleaning work.

8.1 Cleaning

- Keep all safety devices, air vents and the motor housing free of dirt and dust as far as possible. Wipe the equipment with a clean cloth or blow it with compressed air at low pressure.
- We recommend that you clean the device immediately each time you have finished using it.
- Clean the equipment regularly with a moist cloth and some soft soap. Do not use cleaning agents or solvents; these could attack the plastic parts of the equipment. Ensure that no water can seep into the device.

8.2 Maintenance

8.2.1 Testing the water intake filter

Periodically check the intake filter in order to prevent clogging, which could jeopardize operation of the pump.

To do this, unscrew the coupling for the water inlet hose from the device and clean the exposed inlet sieve under running water.

8.2.2 Long periods of nonuse (electric pump)

If the equipment is going to be stored for longer periods of time (i.e. over three months) in a room where the temperature could drop below freezing point, it is recommended that the equipment be filled with an antifreeze solution (similar to the antifreeze solutions used for vehicles).

If the device is not used for an extended period of time, lime deposits will begin to form in the electric pump, which in turn can lead to starting difficulties.

8.2.3 Cleaning the nozzle (Fig. 9)

Use the supplied wire (A) to clean clogged nozzles.

8.3 Ordering replacement parts:

Please quote the following data when ordering replacement parts:

- Type of machine
- Article number of the machine
- Identification number of the machine
- Replacement part number of the part required

Please call 1300 922 271 for any enquiries.

9. Transport

Before transporting the equipment to a different location, remove all connections. The equipment is then free for transport.

10. Disposal and recycling

The unit is supplied in packaging to prevent its being damaged in transit. This packaging is raw material and can therefore be reused or can be returned to the raw material system.

The unit and its accessories are made of various types of material, such as metal and plastic. Defective components must be disposed of as special waste. Ask your dealer or your local council.

11. Storage

Store the equipment and accessories out of children's reach in a dark and dry place at above freezing temperature. The ideal storage temperature is between 5 and 30 °C. Store the electric tool in its original packaging.

12. Possible causes of failure

Fault	Cause	Remedy
The equipment does not work	<ul style="list-style-type: none"> - No electrical voltage at the equipment - The cross section of the extension cable is not large enough and/or the extension cable is too long - The mains voltage is lower than that specified - The pump is frozen 	<ul style="list-style-type: none"> - Check the fuse, power cable and power plug and have them replaced by qualified personnel if necessary - Use extension cables with larger cross sections and/or use shorter extension cables - Contact the power supply company if necessary - Check and thaw if necessary
The motor starts but there is no pressure build-up	<ul style="list-style-type: none"> - The water intake filter is clogged - Air intake in the water inlet - The discharge nozzle is too large 	<ul style="list-style-type: none"> - Clean the water intake filter (see 8.2.1) - Check the supply hose and hose connectors and replace if necessary - Check and replace if necessary
The operating pressure is irregular	<ul style="list-style-type: none"> - Air intake in the water inlet 	<ul style="list-style-type: none"> - Check the supply hose and hose connectors and replace if necessary

The guarantee provided in this Guarantee Certificate is given by Einhell Australia Pty Limited
ACN 134 632 858 of 6/166 Wellington Street, Collingwood, Victoria (Telephone number 1300 922 271)
(Einhell Express Guarantee).

GB GUARANTEE CERTIFICATE

Dear Customer,

All of our products undergo strict quality checks. In the unlikely event that your device develops a fault, please contact our service department at the address shown on this guarantee certificate. Of course, if you would prefer to call us then we are also happy to offer our assistance under the service number printed below. Please note the following terms under which claims under the Einhell Express Guarantee can be made:

1. The benefits conferred by the Einhell Express Guarantee are in addition to all rights and remedies which you may be entitled to under the Australian Consumer Law, and any other statutory rights you may have under other applicable laws. This Einhell Express Guarantee does not exclude, restrict or modify any such rights or remedies.

We do not charge you for the Einhell Express Guarantee.

2. Our goods come with guarantees that cannot be excluded under the Australian Consumer Law. You are entitled to a replacement or refund for a major failure and for compensation for any other reasonably foreseeable loss or damage. You are also entitled to have the goods repaired or replaced if the goods fail to be of acceptable quality and the failure does not amount to a major failure.
3. The Einhell Express Guarantee only covers problems caused by material or manufacturing defects, and our liability under the Einhell Express Guarantee is limited, at our discretion, to the rectification of these defects or replacement of the product. Please note that the product has not been designed for use in commercial, trade or industrial applications. Consequently, the Einhell Express Guarantee will not apply if the product is used in commercial, trade or industrial applications or for other equivalent activities.
4. The following are also excluded from the Einhell Express Guarantee: compensation for transport damage, damage caused by failure to comply with the installation/assembly instructions or damage caused by unprofessional installation, failure to comply with the operating instructions (e.g. connection to the wrong mains voltage or current type), misuse or inappropriate use (such as overloading of the product or use of non-approved tools or accessories), failure to comply with the maintenance and safety regulations, ingress of foreign bodies into the product (e.g. sand, stones or dust), effects of force or external influences (e.g. damage caused by the product being dropped) and normal wear resulting from proper operation of the product. The Einhell Express Guarantee will also not apply if any attempt is made to tamper with the product.
5. The Einhell Express Guarantee is valid for a period of 2 years starting from the purchase date of the product. Claims made under the Einhell Express Guarantee should be submitted before the end of this guarantee period and within two weeks of the defect being noticed. No claims under the Einhell Express Guarantee will be accepted if submitted after the end of this guarantee period. The original guarantee period remains applicable to the device even if repairs are carried out or parts are replaced. In such cases, the work performed or parts fitted will not result in an extension of the guarantee period for the Einhell Express Guarantee, and the Einhell Express Guarantee will not apply for the work performed or parts fitted. This also applies when an on-site service is used.
6. To make a claim under the Einhell Express Guarantee, please send the relevant product postage-free to the address shown below and enclose either the original or a copy of your sales receipt or another dated proof of purchase. It would help us if you could describe the nature of the problem in as much detail as possible. If the defect is covered by the Einhell Express Guarantee, your product will be repaired immediately and returned to you, or we will send you a new device (at our election).

Any costs incurred by you in making a claim under this Einhell Express Guarantee, unless specified otherwise in this guarantee certificate, must be borne by you.

Of course, we are also happy to offer a chargeable repair service for any defects which are not covered by the scope of the Einhell Express Guarantee or for products which are no longer covered by the Einhell Express Guarantee. To take advantage of this service, please send the product to our service address.

EINHELL AUSTRALIA PTY LTD
6/166 Wellington Street
Collingwood VIC 3066
Australia
Phone: 1300 922 271



EH 05/2013(01)