

Ⓞ **Original operating instructions**
Wet and Dry Vacuum Cleaner

Einhell®

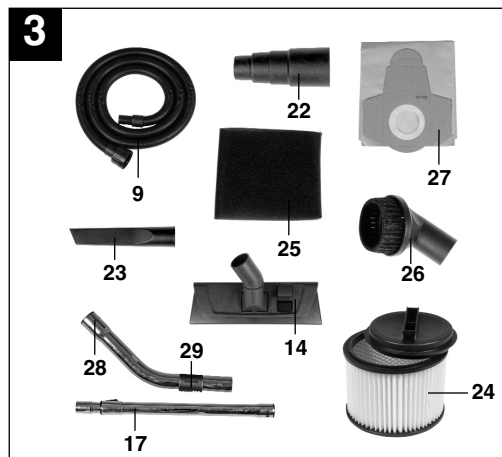
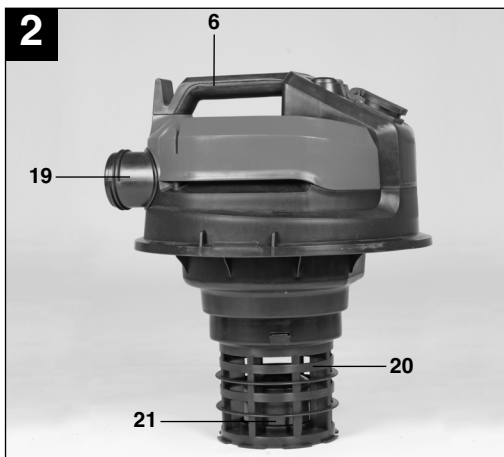
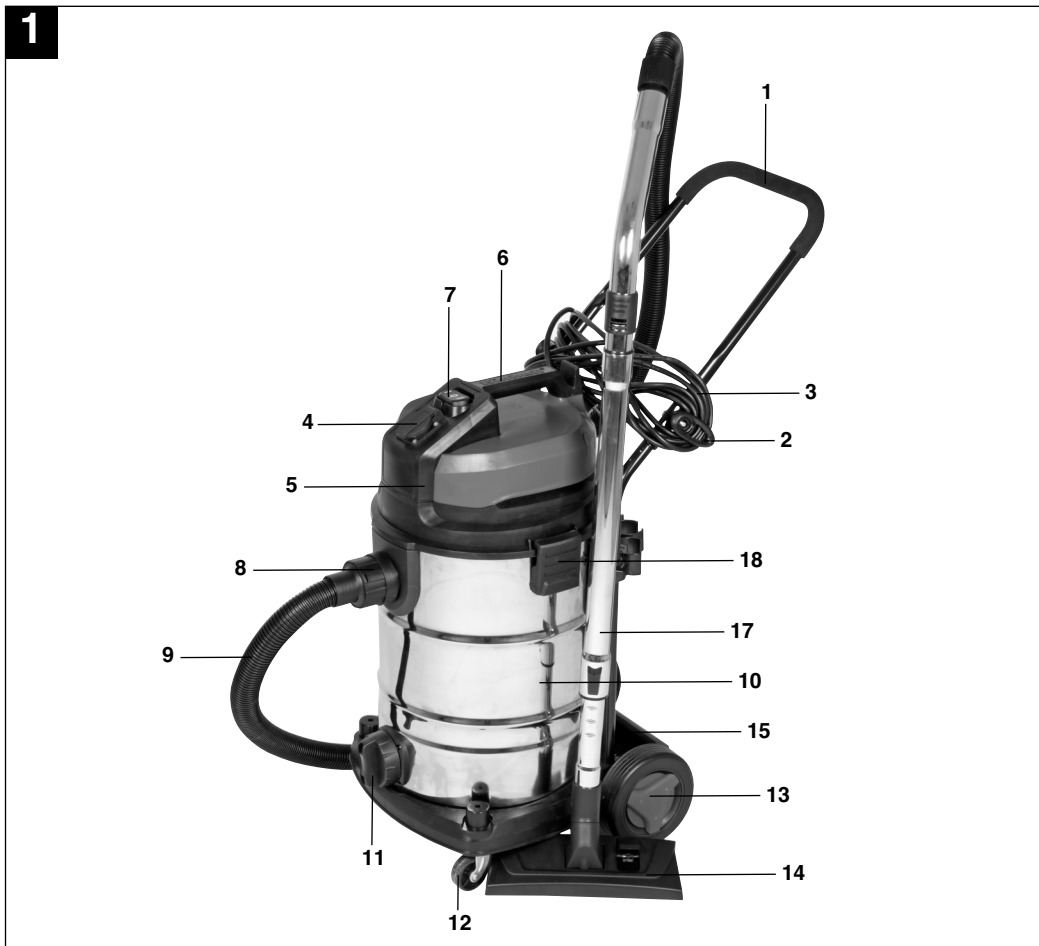
7

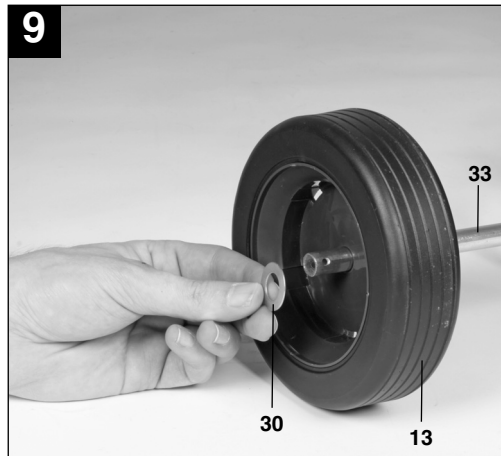
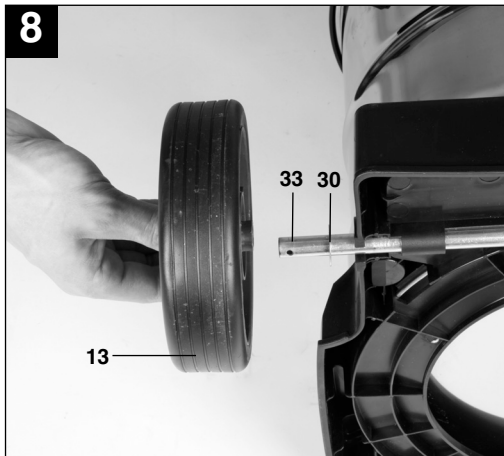
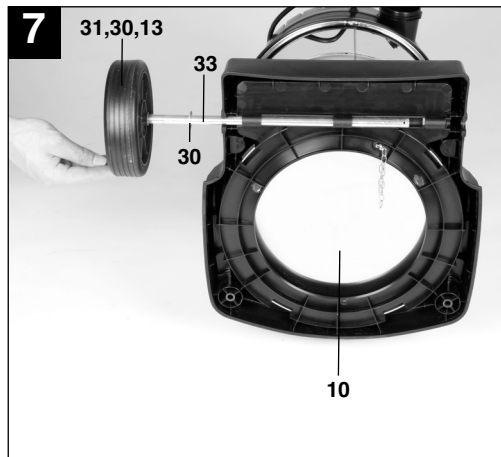
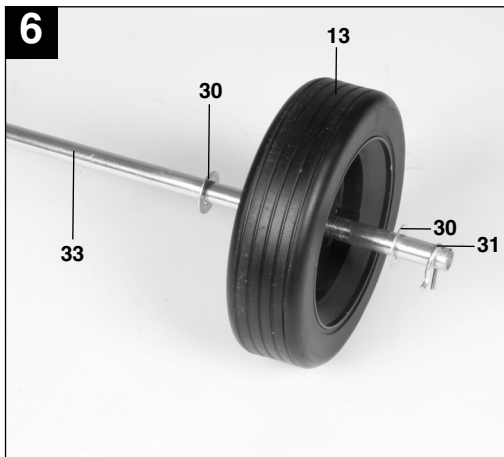
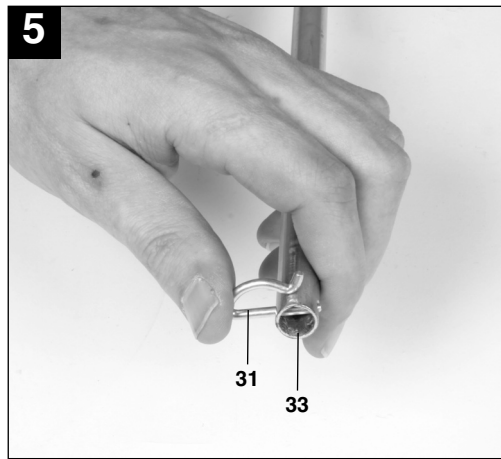
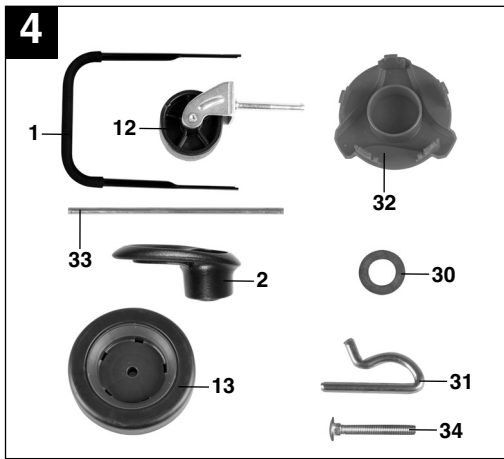
CE

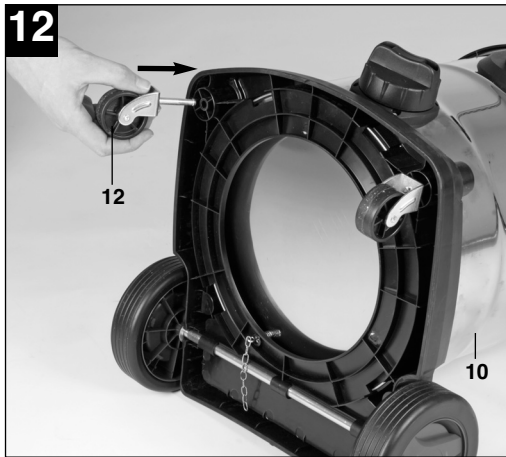
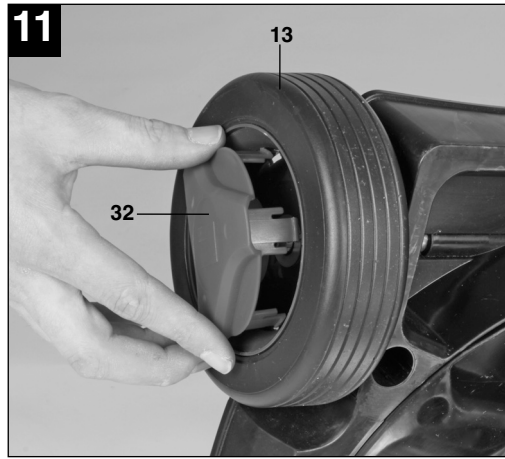
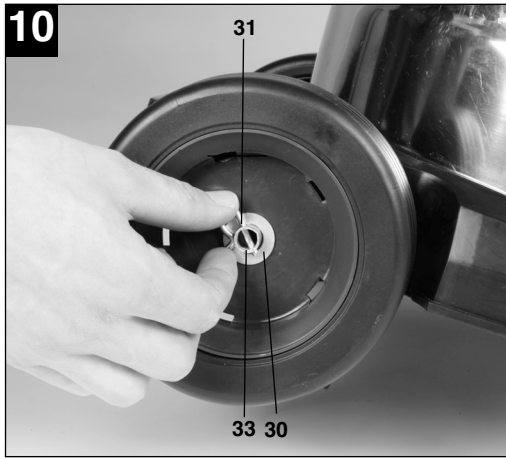
Art.-Nr.: 23.423.62

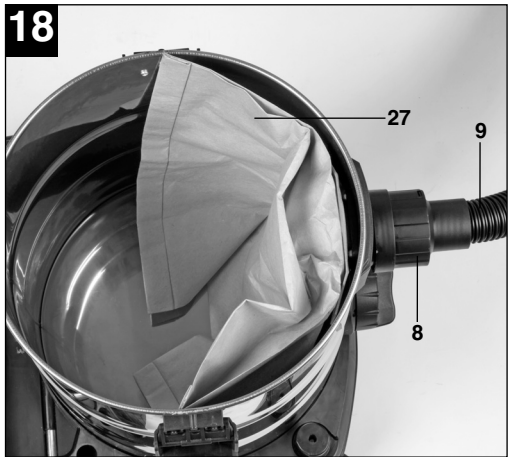
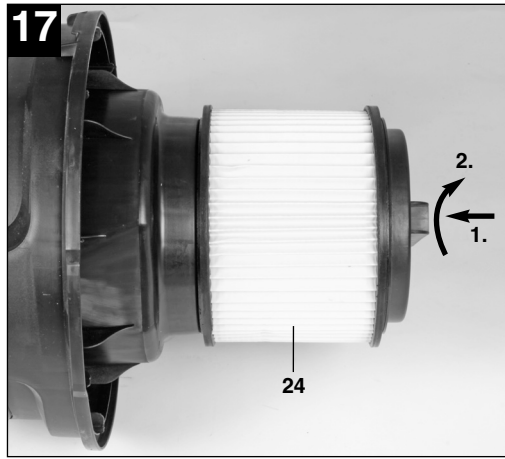
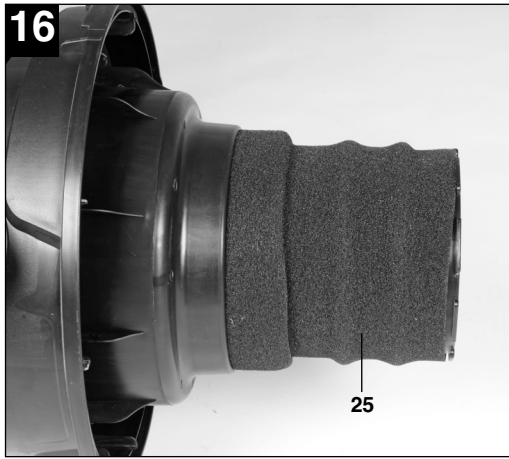
I.-Nr.: 11011

RT-VC 1630 SA









GB**⚠ Important!**

When using equipment, a few safety precautions must be observed to avoid injuries and damage. Please read the complete operating manual with due care. Keep this manual in a safe place, so that the information is available at all times. If you give the equipment to any other person, give them these operating instructions as well.

We accept no liability for damage or accidents which arise due to non-observance of these instructions and the safety information.

1. Safety information

- Important: Read the operating instructions before assembling and using the appliance for the first time.
- Check that the mains voltage is the same as the mains voltage specified on the rating plate.
- Only connect the appliance to a properly fitted 230 V, ~ 50 Hz shock-proof socket.
- Pull out the power plug in the following circumstances: Whenever the appliance is not in use, before opening the appliance and before all cleaning and maintenance work.
- Never clean the appliance with solvents.
- Never pull the plug out of the socket by pulling the cable.
- Never leave the appliance unattended when operational.
- Keep away from children.
- Take care to ensure that the power cable does not get damaged by being run over, crushed, pulled or suchlike.
- Do not use the machine if the power cable is in a less than perfect condition.
- If the power cable has to be replaced, the replacement must comply with the design specifications of the manufacturer. Power cable: H 05 VV - F 3 x 1.5 mm²
- Never vacuum the following: Burning matches, smoldering ash and cigarette butts, combustible, caustic, inflammable or explosive substances, vapor or liquids.
- This appliance is not suitable for vacuuming dust which can be harmful to health.
- Store the appliance in a dry indoor location.
- Never use the appliance if it is damaged.
- Only allow the appliance to be serviced by an authorized after sales service outlet.
- Only use the appliance to carry out work for which it has been designed.

- Take extra care when cleaning steps.
- Use only genuine accessories and spare parts.

This appliance is not intended for use by persons (including children) with reduced physical, sensory or mental capabilities, or lack of experience and knowledge, unless they have been given supervision or instruction concerning use of the appliance by a person responsible for their safety. Children should be supervised to ensure that they do not play with the appliance.

2. Layout and items supplied (Fig. 1-4 & 15)

1. Handle
2. Hook for cable store
3. Power cable
4. Automatic socket-outlet for electric tools
5. Head
6. Handle
7. ON/OFF/Automatic switch
8. Suction hose connection
9. Flexible suction hose
10. Tank
11. Water drain screw
12. Castors
13. Wheels
14. Dual purpose nozzle
15. Accessory compartment
16. Holder for handle
17. Suction tube
18. Locking hook
19. Blow connector
20. Filter cage
21. Safety float valve
22. Electric tool adapter
23. Crevice nozzle
24. Pleated filter with cover
25. Foam filter
26. Upholstery nozzle
27. Dirt bag
28. Handle
29. Air regulator
30. 4 x Washers for fitting the wheels
31. 2 x Split pins for fitting the wheels
32. 2 x Covers for fitting the wheels
33. Axle for fitting the wheels
34. 2 x Screws for fitting the handle

3. Intended use

The wet and dry vacuum cleaner is designed for wet and dry vacuuming using the appropriate filter. The appliance is not suitable for the vacuuming of combustible, explosive or harmful substances.

The machine is to be used only for its prescribed purpose. Any other use is deemed to be a case of misuse. The user / operator and not the manufacturer will be liable for any damage or injuries of any kind caused as a result of this.

Please note that our equipment has not been designed for use in commercial, trade or industrial applications. Our warranty will be voided if the machine is used in commercial, trade or industrial businesses or for equivalent purposes.

4. Technical data

Mains voltage:	230 V ~ 50 Hz
Power input:	1150 watts
Max. power consumption of the automatic socket-outlet:	1450 watts
Max. total power consumption:	2600 watts
Container volume:	30 l
Weight:	11,1 kg

5. Before starting

Important!

- Before you connect the appliance to the mains supply make sure that the data on the rating plate is identical to the mains data.
- The appliance may only be connected to a shock-proof socket.

5.1 Assembling the appliance

Fitting the wheels (Fig. 4-11)

Place a split pin for fitting the wheels (31) through the appropriate hole in the axle (33) and fit a washer (30) and a wheel (13) and a second washer (30) to the axle (33) (Fig. 5-6). Now slide the axle (33) through the guides provided for it on the underside of the tank (10) (Fig. 7). Fit the third washer (30) and fit the second wheel (13) to the empty end of the axle (33) and secure it with the fourth washer (30) and the split

pin (31) (Fig. 8-10). Push the covers (32) on to the outside of the wheels (13) so that the detents engage on the covers (32) for the wheel (13) (Fig. 11).

Fitting the castors (Fig. 12/12)

Fit the castors (12) into the appropriate mountings on the underside of the tank (10). Push the castors (12) firmly into the mounting until they engage with a clicking noise (Fig. 12).

Fitting the handle (Fig. 13/1)

Place the handle (1) into the handle mounts (a) of the tank and secure the handle with the supplied screws (34) as shown in Figure 13.

Fitting the appliance head (Fig. 1&14-15)

The appliance head (5) is fastened to the container (10) by the locking hook (18). To remove the appliance head (5), open the locking hook (18) and remove the appliance head (5). When fitting the appliance head (5), make sure that the locking hook (18) locks into place correctly.

5.2 Fitting the filter

Important!

Never use the wet and dry vacuum cleaner without a filter.

Check that the filter is securely fitted at all times.

Fitting the foam filter (Fig. 16/25)

For wet vacuuming, slip the supplied foam filter (25) over the filter basket (Fig. 2/20). The pleated filter (Fig. 17/24) already fitted upon delivery is not suitable for wet vacuuming.

Fitting the pleated filter (Fig. 17/24)

For dry-vacuuming, slip the pleated filter (Fig. 3/24) over the filter basket (Fig. 2/20). The pleated filter (24) is suitable for dry-vacuuming only.

5.3 Fitting the tank bag (Fig. 3/27)

Fit the dirt bag (27) as shown in Figure 18.

5.4 Fitting the suction hose (Fig. 1-3&18)

Connect the suction hose (9) to the corresponding connector on the wet and dry vacuum cleaner, depending on the application required.

Vacuuming

Connect the suction hose (9) to the suction hose connector (8).

Blowing

Connect the suction hose (9) to the blow connector (19).

GB**Air regulator (Fig. 3/29)**

The air regulator (29) can be fitted between the suction hose (9) and the suction tube (17). The suction power of the nozzle can be infinitely adjusted using the air regulator (29).

When wet vacuuming, make selective use of the air regulator to suck in air as well as liquids. This will help to take some strain off the equipment when vacuuming liquids.

5.5 Suction nozzles**Dual-purpose nozzle (Fig. 3/14)**

The dual-purpose nozzle (14) is for vacuuming solids and liquids over medium to large areas.

Various attachments can be fitted to the combination nozzle depending on what sort of work you wish to carry out.

Ensure that the attachments are perfectly secure.

Crevice nozzle (Fig. 3)

The crevice nozzle (23) is designed for vacuuming solids and liquids in corners, edges and other areas that are difficult to access.

Upholstery nozzle (Fig. 3)

The upholstery nozzle (26) is specially designed for vacuuming solids on upholstery and carpets.

6. Operation**6.1 ON/OFF switch (Fig. 2/7)**

Switch position 0: Off
Switch position I: Normal operation
Switch position II: Automatic mode

6.2 Dry vacuuming

Use the pleated filter (24) for dry vacuuming (see point 5.2). The dirt bag (27) can be fitted in addition when removing particularly stubborn dirt (see point 5.3).

Always ensure that the filters are perfectly secure.

6.3 Wet vacuuming

For wet-vacuuming, use the foam filter (25) (see point 5.2).

Check that the filter is securely fitted at all times.

Water drain screw (Fig. 1/11)

To make the tank (10) easier to empty after wet vacuuming, it is fitted with a water drain screw (11). Open the water drain screw (11) by turning it anti-clockwise and drain the liquid. Re-tighten the water drain screw clockwise prior to re-using the cleaner.

⚠ Important!

When wet vacuuming, the floating safety switch (21) closes when the maximum tank level is reached. In doing so, the suction noise of the equipment will change and become louder.

You must then switch off the equipment and empty the tank.

⚠ Important!

The wet and dry vacuum cleaner is not suitable for the vacuuming of combustible liquids.
For wet vacuuming, use only the supplied foam filter.

6.4 Automatic mode

Connect the power cable on your electric tool to the automatic socket-outlet (4) and connect the suction hose (9) to the extractor connector on your electric tool. Check that the connections are secure and airtight.

You can use the supplied electric tool adaptor (22) to connect the suction hose (9) to the electric tool. To do so, fit it between the suction hose and the extractor port on the electric tool.

Set the switch (7) on the wet and dry vacuum cleaner to position II, automatic mode. The moment you switch on the electric tool, the wet and dry vacuum cleaner switches on as well. When you switch off the electric tool, the wet and dry vacuum cleaner switches off as well after a pre-set delay.

6.5 Blowing

Connect the suction hose (9) to the blow connector (19) on the wet and dry vacuum cleaner.

7. Cleaning, maintenance and ordering of spare parts

Important!

Always pull out the mains power plug before starting any cleaning work.

7.1 Cleaning

- Keep all safety devices, air vents and the motor housing free of dirt and dust as far as possible.
- We recommend that you clean the appliance immediately after you use it.

7.2 Cleaning the appliance head (5)

Clean the appliance regularly with a damp cloth and some soft soap. Do not use cleaning agents or solvents; these may be aggressive to the plastic parts in the appliance.

7.3 Cleaning the container (10)

The container can be cleaned with a damp cloth and some soft soap or under running water, depending on the amount of dirt.

7.4 Cleaning the filters

Cleaning the pleated filter (24)

Clean the pleated filter (24) regularly by carefully patting it and cleaning it with a fine brush or hand brush.

Cleaning the foam filter (25)

Clean the foam filter (25) with a little soft soap under running water and allow it to air-dry.

7.5 Maintenance

At regular intervals and before each use, check that the filters in the wet and dry vacuum cleaner are securely fitted.

7.6 Ordering replacement parts

Please quote the following data when ordering replacement parts:

- Type of machine: RT-VC 1630 SA
- Article number of the machine: 23.423.62
- Identification number of the machine: 11011
- Replacement part number of the part required

For our latest prices and information please go to www.einhell.co.uk

8. Disposal and recycling

The unit is supplied in packaging to prevent its being damaged in transit. This packaging is raw material and can therefore be reused or can be returned to the raw material system.

The unit and its accessories are made of various types of material, such as metal and plastic.

Defective components must be disposed of as special waste. Ask your dealer or your local council.

ISC GmbH · Eschenstraße 6 · D-94405 Landau/Isar



Konformitätserklärung

- erklart folgende Konformitat gema EU-Richtlinie und Normen fur Artikel
 explains the following conformity according to EU directives and norms for the following product
 dclare la conformit suivante selon la directive CE et les normes concernant l'article
 dichiara la seguente conformit secondo la direttiva UE e le norme per l'articolo
 verklaart de volgende overeenstemming conform EU richtlijn en normen voor het product
 declara la siguiente conformidad a tenor de la directiva y normas de la UE para el artculo
 declara a seguinte conformidade, de acordo com a directiva CE e normas para o artigo
 attesterer flgende overensstemmelse i medfr af EU-direktiv samt standarder for artikel
 frklarar fljande verensstammelse enl. EU-direktiv och standarder fr artikeln
 vakuuttaa, ett tuote tytta EU-direktiivin ja standardien vaatimukset
 tendab toote vastavust EL direktiivile ja standarditele
 vydav nsledujc prohlaen o shod podle smrnice EU a norem pro vrobek
 potrjuje sledeo skladnost s smernico EU in standardi za izdelak
 vydava nasledujce prehlasenie o zhode podl'a smernice EU a noriem pre vrobok
 a cikkekhez az EU-iranyvonal s Normak szerint a kvetkez konformitast jelenti ki
 deklaruje zgodnoc wymienionego ponizej artykuu z nastpujacymi normami na podstawie dyrektywy WE.
 deklariра сответното сответствие сгласно Директива на ЕС и норми за артикул
 paskaidro adu atbilstbu ES direktvai un standartiem
 apibdina j atitikim EU reikalavimams ir preks normoms
 declar urmatoarea conformitate conform directivei UE i normelor pentru articolul
 dlwnei την ακλουθη συμfρωση σύμφωνα με την Οδηγa EK και τα πρτυπα για το προϊον
 potvruje sljedecu uskladenost prema smjernicama EU i normama za artikl
 potvruje sljedecu uskladenost prema smjernicama EU i normama za artikl
 potvruje sledecu uskladenost prema smernicama E i normama za artikl
 слeдующим удoстoверяется, что слeдующие прoдукты сoотвeтствуют директивам и нормам ЕС
 проголoшує про зазначену нижче вдповднсть виробу директивам та стандартам ЄС на вирб
 ja izjavуva slednata soobrznost согласно EU-direktivata i normite za artikli
 rn ile ilgili AB direktifleri ve normlari gereince aaıda aıklanan uygunluu belirtir
 erklerer flgende samsvar i henhold til EU-direktivet og standarder for artikkel
 Lysir uppfyllingu EU-reglna og annarra stala vru

Wet and Dry Vacuum Cleaner RT-VC 1630 SA (Einhell)

- 87/404/EC_2009/105/EC
 2005/32/EC_2009/125/EC
 2006/95/EC
 2006/28/EC
 2004/108/EC
 2004/22/EC
 1999/5/EC
 97/23/EC
 90/396/EC_2009/142/EC
 89/686/EC_96/58/EC
 2006/42/EC
 Annex IV
 Notified Body:
 Notified Body No.:
 Reg. No.:
 2000/14/EC_2005/88/EC
 Annex V
 Annex VI
 Noise: measured L_{WA} = dB (A); guaranteed L_{WA} = dB (A)
 $P = KW$; $L/\varnothing = cm$
 Notified Body:
 2004/26/EC
 Emission No.:

Standard references: EN 60335-1; EN 60335-2-2; EN 62233;
EN 55014-1; EN 55014-2; EN 61000-3-2; EN 61000-3-3

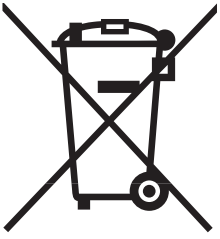
Landau/Isar, den 04.03.2011

Weichselgartner/General Manager

Wang/Product-Management

First CE: 11
 Art.-No.: 23.423.62 I.-No.: 11011
 Subject to change without notice

Archive-File/Record: NAPR003820
 Documents registrar: Siegfried Roider
 Wiesenweg 22, D-94405 Landau/Isar



Ⓢ For EU countries only

Never place any electric tools in your household refuse.

To comply with European Directive 2002/96/EC concerning old electric and electronic equipment and its implementation in national laws, old electric tools have to be separated from other waste and disposed of in an environment-friendly fashion, e.g. by taking to a recycling depot.

Recycling alternative to the demand to return electrical devices:

As an alternative to returning the electrical device, the owner is obliged to cooperate in ensuring that the device is properly recycled if ownership is relinquished. This can also be done by handing over the used device to a returns center, which will dispose of it in accordance with national commercial and industrial waste management legislation. This does not apply to the accessories and auxiliary equipment without any electrical components which are included with the used device.

Ⓢ The reprinting or reproduction by any other means, in whole or in part, of documentation and papers accompanying products is permitted only with the express consent of ISC GmbH.

Ⓢ Technical changes subject to change

GUARANTEE CERTIFICATE

Dear Customer,

In the unlikely event that your device develops a fault, please contact our Customer service department on the telephone number shown below.

1. These guarantee terms cover additional guarantee rights and do not affect your statutory warranty rights. Claims must be accompanied by Proof of Purchase. This must be in the form of a Sales receipt or Bank statement and must show that the product has been purchased within 2 years prior to the claim from the retailer that it was originally sold to.
2. Our guarantee covers problems caused by material or manufacturing defects, and will result in the repair of these defects or replacement of the device with a like for like or similar article. Please note that our devices have not been designed for use in commercial, trade or industrial applications. Consequently, the guarantee is invalidated if the equipment is used in commercial, trade or industrial applications or for other equivalent activities.
3. The following are also excluded from our guarantee:
 - A) Faults due to accidents, customer misuse, or unauthorized repairs
 - B) Consumable Parts such as Blades/Chains/Trimmer lines/Spools/Vacuum bags/Spark plugs or Filters
 - C) Failure due to lack of routine maintenance
 - D) Failure as a result of not using the equipment in accordance with the manual and safety instructions
 - E) The adjustment or lubrication cables, drive belts, or recoil starters
4. The guarantee is valid for a period of 2 years starting from the purchase date of the device. Guarantee claims should be submitted before the end of the guarantee period within two weeks of the defect being noticed. No guarantee claims will be accepted after the end of the guarantee period. The original guarantee period remains applicable to the device even if repairs are carried out or parts are replaced. In such cases, the work performed or parts fitted will not result in an extension of the guarantee period, and no new guarantee will become active for the work performed or parts fitted. This also applies when an on-site Service is used.
5. Please keep your sales receipt in a safe place. If the defect is covered by our guarantee your device will either be repaired under the terms of guarantee or we will send you a replacement device. This device may be re-conditioned or Like for like replacement.

Einhell UK Ltd
Morpeth Wharf
Twelve Quays
Birkenhead, Wirral
CH41 1LF
Tel. 0151 6491500, Fax 0151 6491501

EH 03/2011 (01)