



Wet and Dry Vacuum Cleaner HPS 30 A INOX

Art.-No.: **23.420.53**

bar code: 4006825507942

sales unit: 1 pc

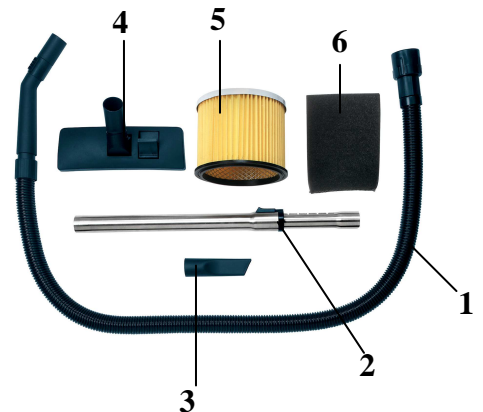
Wet and dry cleaner with **integrated power socket for automatically cleaning** (5 sec. release delay), 1.5 m flexible tube system Ø 36 mm, 30 ltr. stainless steel vessel, a lot of accessories, 4 castors, carrying handle, 4 m mains cable.

Technical data:

- Mains: 230 V ~ 50 Hz
- Input power: 1400 watts + 2000 watts (for power supply)
- Water gage: 1500 mm
- Weight: 7.5 kg
- Verpackungsmaße: 355 x 355x 645 mm

Standard accessory:

- 1 suction hose Ø 36 mm (1)
- 1 telescopic tube Ø 36 mm (2)
- 1 groove nozzle (3)
- 1 combi nozzle (4)
- 1 long-term filter (5)
- 1 foam filter (6)
- **1 integrated power socket (7)**



As special accessory available:

- Long-term filter Art.-No.: **23.511.11**
bar code: 4006825236279
- Foam filter Art.-No.: **23.511.30**
bar code: 4006825236132