



Original operating instructions
Cordless Circular Saw

Einhell[®]



7

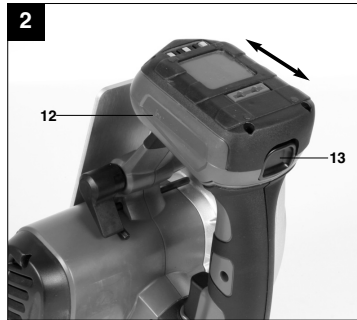
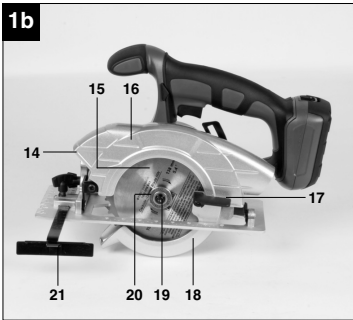
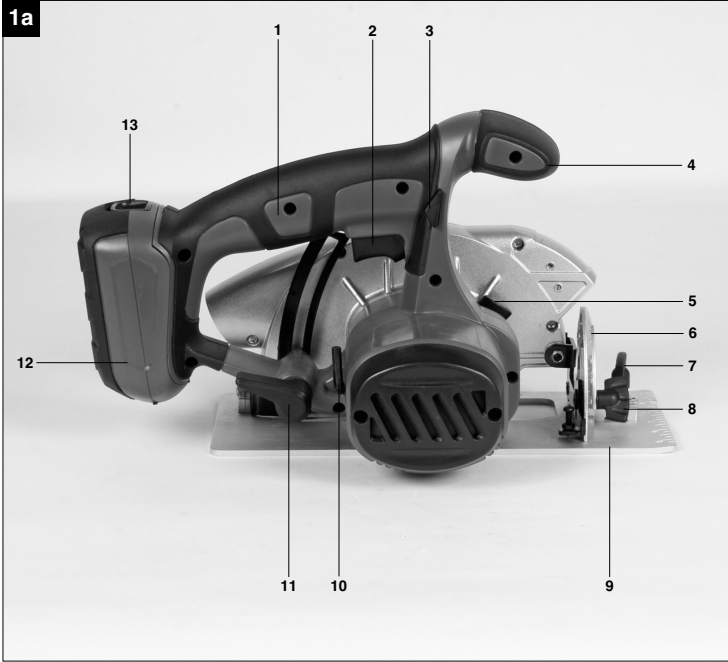


Art.-Nr.: 43.309.85

I.-Nr.: 11011

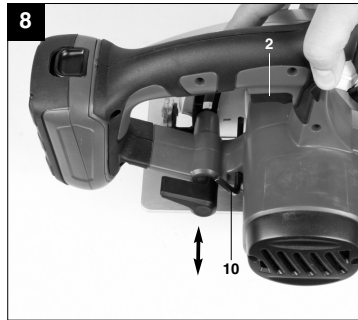
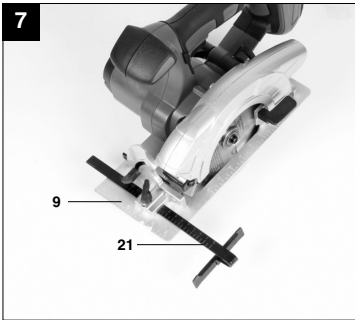
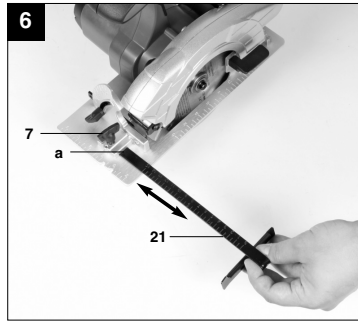
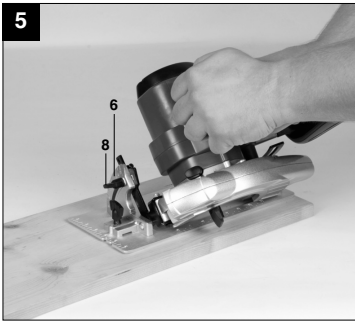
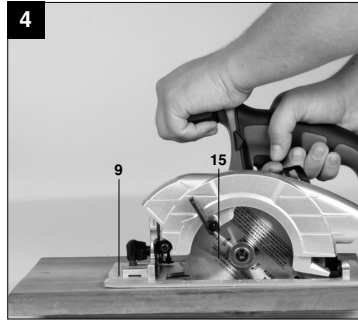
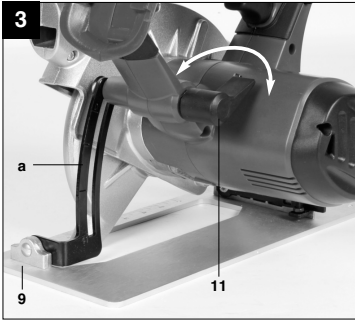
BT-CS **18 Li**

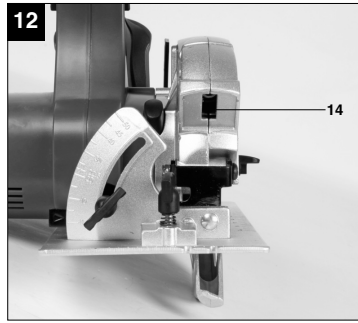
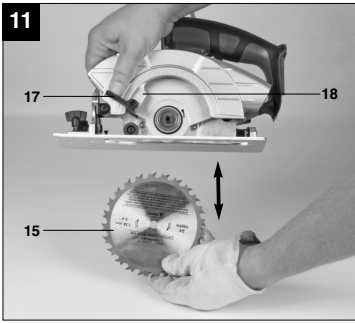
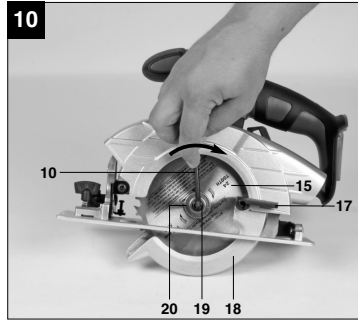
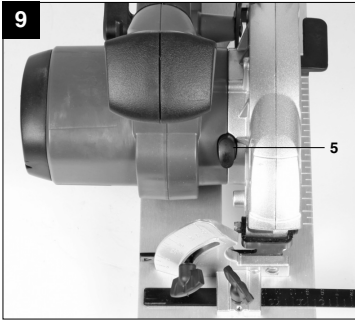




2









"Caution - Read the operating instructions to reduce the risk of injury"



Wear ear-muffs.
The impact of noise can cause damage to hearing.



Wear a breathing mask.
Dust which is injurious to health can be generated when working on wood and other materials.
Never use the device to work on any materials containing asbestos!



Wear safety goggles.
Sparks generated during working or splinters, chips and dust emitted by the device can cause loss of sight.



GB**⚠ Important!**

When using equipment, a few safety precautions must be observed to avoid injuries and damage. Please read the complete operating manual with due care. Keep this manual in a safe place, so that the information is available at all times. If you give the equipment to any other person, give them these operating instructions as well.

We accept no liability for damage or accidents which arise due to non-observance of these instructions and the safety information.

1. Safety regulations

The corresponding safety information can be found in the enclosed booklet.

⚠ CAUTION!**Read all safety regulations and instructions.**

Any errors made in following the safety regulations and instructions may result in an electric shock, fire and/or serious injury.

Keep all safety regulations and instructions in a safe place for future use.**Safety instructions for all circular saws****Danger:**

- a) **Do not reach into the sawing area or touch the saw blade. Hold the additional handle or the motor casing with your other hand.** If you hold the circular saw in both hands, the saw blade cannot injure them.
- b) **Do not reach under the workpiece.** The guard hood cannot protect you from the saw blade under the workpiece.
- c) **Adjust the cutting depth to the thickness of the workpiece.** Less than one full tooth height should be visible under the workpiece.
- d) **Never hold the workpiece you wish to saw in your hand or on your leg. Secure the workpiece on a sturdy surface.** It is important that you secure the workpiece well to minimize the danger of body contact, the saw blade jamming or loss of control.
- e) **Hold the appliance only by the insulated handles when carrying out work during which the cutting tool could strike concealed power cables or its own cable.** Contact with a live cable will also make the metal parts of the appliance live and will cause an electric shock.
- f) **Always use a stop or a straight edge when carrying out longitudinal cuts.** This will improve your cutting accuracy and reduce the possibility of the saw blade jamming.

- g) **Always use saw blades of the correct size and with a suitable mounting hole (diamond-shaped or round).** Saw blades that do not match the mounting parts of the saw will not rotate truly and will result in a loss of control.
- h) **Never use damaged or incorrect saw blade washers or screws.** The saw blade washers and screws have been specially designed for your saw to ensure perfect performance and operational safety.

Additional safety instructions for all saws

Causes of and ways to avoid recoil:

- A recoil is the sudden reaction resulting from a caught, jammed or incorrectly aligned saw blade which may result in the saw leaping out of the workpiece out of control and towards the operator.
- If the saw blade becomes caught or jammed in closing saw gap, it will block and the power of the motor will cause the saw to leap backwards towards the operator.
- If the saw blade is twisted or incorrectly aligned in the cut, the teeth in the rear saw blade edge may become caught in the surface of the workpiece, which results in the saw blade leaping out of the saw gap and the saw leaping towards the operator.

A recoil is the result of incorrect or wrong use of the saw. It can be prevented by suitable precautions, as described below.

- a) **Hold the saw firmly in both hands and hold your arms in a position in which you can withstand the recoil forces. Always hold the saw blade to one side. Never hold the saw blade in a straight line with your body.** In the event of a recoil the circular saw may leap backwards, but the user can still overcome the recoil forces if he has taken suitable precautions.
- b) **If the saw blade jams or the sawing operating is interrupted for another reason, release the ON/OFF switch and hold the saw steady in the workpiece until the saw blade has reached a complete standstill. Never attempt to take the saw out of the workpiece or to pull it backwards whilst the saw blade is moving or there is a possibility of a recoil.** Find the reason for the blade jamming and rectify it by suitable means.
- c) **If you wish to restart a saw that is already in the workpiece, center the saw blade in the saw gap and check that the saw's teeth are not caught in the workpiece.** If the saw blade is jammed it may move out of the workpiece or cause a recoil when the saw is restarted.

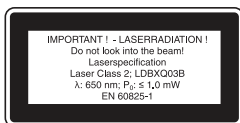
- d) **Support large panels to reduce the risk of a recoil by a jammed saw blade.** Large panels may sag under their own weight. Panels must be supported on both sides both near the saw gap and also at the edge.
- e) **Do not use blunt or damaged saw blades.** Saw blades with blunt or incorrectly aligned teeth will create increased friction due to the saw gap being too small. In addition the saw blade may also jam and cause recoil.
- f) **Secure the cutting depth and cutting angle settings before starting to saw.** If the settings change as you are sawing, the saw blade may jam and cause recoil.
- g) **Be particularly careful when carrying out a "plunge cut" in a concealed area such as an existing wall.** The plunge-cutting saw blade may block when sawing into concealed objects and thus cause recoil.

Safety instructions for saws with a swing guard hood

- a) **Check that the bottom safety hood closes perfectly before using the appliance. Do not use the saw if the bottom safety hood does not move freely and does not close immediately. Never clamp or tie the bottom guard hood in open position.** If you drop the saw by accident the bottom guard hood may become bent. Open the safety hood with the lever and ensure that it moves freely and will not come into contact with the saw blade or other parts regardless of the cutting angle and depth.
- b) **Check the function of the spring on the bottom safety hood. Have the appliance serviced before you use it if the bottom safety hood and spring are not in perfect working order.** Damaged parts, sticky deposits or accumulations of chips will result in the bottom guard hood working with a delay.
- c) **Open the bottom safety hood by hand only for special cuts, such as "immersion and angle cuts". Open the bottom safety hood using the lever and release the lever again as soon as the saw blade has engaged in the workpiece.** The bottom safety hood must operate automatically for all other sawing work.
- d) **Do not place the saw on a workbench or on the floor unless the bottom guard hood is covering the blade.** An unprotected, moving saw blade will cause the saw to move opposite to the sawing direction and saw through anything in its way. Remember that the saw takes a little time to slow down and stop.



Important: Laser radiation
Do not look into the beam
Laser class 2



Protect yourself and your environment from accidents by taking the appropriate precautionary measures.

- Never look directly into the laser path.
- Never direct the laser beam at reflecting surfaces or persons or animals. Even a low output laser beam can inflict injury on the eye.
- Caution: It is vital to follow the work procedures described in these instructions. Using the equipment in any other way may result in hazardous exposure to laser radiation.
- Never open the laser module.

2. Layout / Items supplied (Fig. 1a/1b)

2.1 Layout

1. Handle
2. ON/OFF switch
3. Locking button for ON/OFF switch
4. Additional handle
5. Spindle lock
6. Scale for mitre angle
7. Locking lever for parallel stop
8. Locking lever for mitre setting
9. Soleplate
10. Allen key
11. Locking lever for cutting depth setting
12. Battery pack
13. Pushlock button
14. Laser
15. Saw blade
16. Guard hood
17. Lever for opening the swing guard hood
18. Swing guard hood
19. Screw for securing the saw blade
20. Flange
21. Parallel stop

GB**2.2 Items supplied**

- Open the packaging and take out the equipment with care.
- Remove the packaging material and any packaging and/or transportation braces (if available).
- Check to see if all items are supplied.
- Inspect the equipment and accessories for transport damage.
- If possible, please keep the packaging until the end of the guarantee period.

IMPORTANT

The equipment and packaging material are not toys. Do not let children play with plastic bags, foils or small parts. There is a danger of swallowing or suffocating!

- Cordless Circular Saw
- Saw blade
- Parallel stop
- Allen key
- Original operating instructions
- charger (1x in set included)
- Battery Pack (2x in set included)

3. Proper use

The hand-held circular saw is designed for sawing straight cuts in wood, wood-type materials and plastics.

The equipment is to be used only for its prescribed purpose. Any other use is deemed to be a case of misuse. The user / operator and not the manufacturer will be liable for any damage or injuries of any kind caused as a result of this.

Please note that our equipment has not been designed for use in commercial, trade or industrial applications. Our warranty will be voided if the machine is used in commercial, trade or industrial businesses or for equivalent purposes.

4. Technical data

Voltage supply:	18V d.c.
Idling speed:	3600 rpm
Cutting depth at 90°:	41mm
Cutting depth at 45°:	25 mm
Saw blade:	Ø 138mm
Blade holder:	Ø 10mm
Blade thickness:	1,2 mm
Weight:	2.5 kg

Sound and vibration

Sound and vibration values were measured in accordance with EN 60745.

L_{pA} sound pressure level	83 dB(A)
K_{pA} uncertainty	3 dB
L_{WA} sound power level	94 dB(A)
K_{WA} uncertainty	3 dB

Wear ear-muffs.

The impact of noise can cause damage to hearing.

Total vibration values (vector sum of three directions) determined in accordance with EN 60745.

Handle

Vibration emission value $a_h = 10.749 \text{ m/s}^2$

K uncertainty = 1.5 m/s^2

Additional handle

Vibration emission value $a_h = 8.259 \text{ m/s}^2$

K uncertainty = 1.5 m/s^2

Additional information for electric power tools**Warning!**

The specified vibration value was established in accordance with a standardized testing method. It may change according to how the electric equipment is used and may exceed the specified value in exceptional circumstances.

The specified vibration value can be used to compare the equipment with other electric power tools.

The specified vibration value can be used for initial assessment of a harmful effect.

Keep the noise emissions and vibrations to a minimum.

- Only use appliances which are in perfect working order.
- Service and clean the appliance regularly.
- Adapt your working style to suit the appliance.
- Do not overload the appliance.
- Have the appliance serviced whenever necessary.
- Switch the appliance off when it is not in use.
- Wear protective gloves.

Residual risks

Even if you use this electric power tool in accordance with instructions, certain residual risks cannot be ruled out. The following hazards may arise in connection with the equipment's construction and layout:

1. Lung damage if no suitable protective dust mask is used.
2. Damage to hearing if no suitable ear protection is used.
3. Health damage caused by hand-arm vibrations if the equipment is used over a prolonged period or is not properly guided and maintained.

5. Before starting the equipment

Charge the battery pack with the charger supplied. An empty battery pack requires a charging period of approximately 1 hours.

For more details about charging the battery pack please read the operating instructions of the 1-hour charger.

Always remove the battery pack before making adjustments to the equipment.

5.1 Mounting and removing the battery pack (Fig. 2/Item 12)**Mounting:**

Push the battery pack (12) onto the equipment until it latches in place.

Removing:

Press the pushlock button (13) and pull the battery pack (12) out of the equipment.

5.2 Setting the cutting depth (Figure 3)

- Release the lever on the rear of the guard hood for adjusting the cutting depth (11).
- Place the soleplate (9) flat on the surface of the workpiece you wish to saw. Raise the saw until the saw blade (15) is at the required cutting depth (a).
- Refasten the lever for adjusting the cutting depth (11). Check the lever is securely fastened.

5.3 Miter stop (Figure 4/5)

- The preset standard angle between the soleplate (9) and saw blade (15) is 90°. You can adjust this angle to carry out angled cuts.
- Release the locking lever for miter setting (8) on the front of the soleplate (9).
- You can now adjust the cutting angle to around 45°. Keep an eye on the cutting angle scale (6) as you do so.
- Refasten the locking lever for miter setting (8). Check the lever is securely fastened.

5.4 Parallel stop (Figure 6/7)

- The parallel stop (21) enables you to saw parallel lines.
- Loosen the locking lever for the parallel stop (7) on the soleplate (9).
- To assemble, slide the parallel stop (21) into the guide (a) on the soleplate (9) (see Figure 6)
- Set the required spacing and then tighten the locking lever (7) again.
- Using the parallel stop: Position the parallel stop (21) flat on the edge of the workpiece and start the cut.

⚠ Important! Carry out a trial cut in a piece of waste wood



6. Operation

Important. For safety reasons the hand-held circular saw must not be operated with the Allen key (10) inserted in it.

6.1 Working with the hand-held circular saw

- Always hold the circular saw firmly.
- The swing guard hood (18) is pushed back automatically by the workpiece.
- Do not use force!
Push forwards gently and evenly with the circular saw.
- The work piece should be on the left-hand side of the circular saw so that the wide section of the support bench supports its full area.
- If you are sawing down a line that has been drawn, guide the circular saw along the corresponding notch.
- Clamp small pieces of wood securely before sawing them. Never hold them with your hand.
- Always follow the safety instructions. Wear safety goggles.
- Do not use defective saw blades or blades that are cracked or broken.
- Do not use any flanges / flange nuts whose bore hole is larger or smaller than those in the saw blade.
- The saw blade must not be decelerated by hand or by applying lateral pressure to the blade.
- The swing guard hood must not jam and must return to its initial position after the operation has been completed.
- Before you use the circular saw, check the function of the swing guard hood with the battery disconnected.
- Before you use the machine, ensure that the safety equipment such as the swing guard hood, flanges and adjustment devices are in working order and are correctly adjusted and secure.
- The moving swing guard hood must not be fixed in the retracted guard hood when the saw is in use.

⚠ Important. Always remove the battery pack before doing any work on the circular saw!

6.2 Using the circular saw (Fig. 1a)

- Adjust the cutting depth, cutting angle and parallel stop (see section 5.2, 5.3 and 5.4)
- Ensure that the ON/OFF switch (2) is not depressed. Push on the battery pack.
- Do not switch on the circular saw until you have fitted a saw blade.
- Place the soleplate (9) flat on the workpiece you wish to saw. The saw blade must not be in

contact with the workpiece.

- Hold the circular saw firmly with both hands.

6.3 Switching ON/OFF (Fig. 1)

To switch on:

- Press the locking button (3) and the ON/OFF switch (2) at the same time
- Allow the saw blade to accelerate until it reaches full speed. Then slowly move the saw blade along the cutting line. Only exert gentle pressure on the saw blade as you do so.

To switch off:

- Release the locking button (3) and ON/OFF switch (2)
- If you release the ON/OFF switch (2) the equipment will shut down automatically which means that it cannot operate accidentally.
 - Ensure that you do not cover or block the ventilation openings whilst working with the tool.
 - Do not slow down the saw blade after you switch it off by pressing it sideways.
 - Important! Do not put down the machine until the saw blade has reached a complete standstill.

⚠ Important. Carry out a trial cut in a piece of waste wood

6.4 Changing the saw blade (Fig. 8-11)

⚠ Important. Always remove the battery pack before doing any work on the circular saw!

Only use saw blades of the same type as the saw blade supplied with this circular saw. Ask your dealer for advice.

- To change the saw blade (15), use the Allen key (10) supplied with the equipment. The Allen key (10) is stored in the equipment housing. Pull the Allen key (10) out of the housing when you need it. (See Fig. 8)
- Push back and secure the moving swing guard hood (18) using the lever for the swing guard hood (17).
- Undo the screw to secure the saw blade (19) using the Allen key (10).
- Remove the flange (20) and the saw blade (15) in a downwards direction.
- Clean the flange (20) and insert the new saw blade. Pay attention to the running direction (see arrow on the guard hood and saw blade).
- Tighten the screw to secure the saw blade (19), check it runs smooth.
- Before you press the On/Off switch (2), make sure that the saw blade is correctly fitted and that

moving parts run smoothly and the clamping screws are tightened securely.

6.5 Using the laser (Fig. 12 / Item 14)

The laser (14) switches on automatically when the On/Off switch (2) is pressed.

7. Cleaning, maintenance and ordering of spare parts

Always remove the battery pack before starting any cleaning work!

7.1 Cleaning

- Keep all safety devices, air vents and the motor housing free of dirt and dust as far as possible. Wipe the equipment with a clean cloth or blow it with compressed air at low pressure.
- We recommend that you clean the device immediately each time you have finished using it.
- Clean the equipment regularly with a moist cloth and some soft soap. Do not use cleaning agents or solvents; these could attack the plastic parts of the equipment. Ensure that no water can seep into the device.

7.2 Maintenance

There are no parts inside the equipment which require additional maintenance.

7.3 Ordering replacement parts:

Please quote the following data when ordering replacement parts:

- Type of machine
- Article number of the machine
- Identification number of the machine
- Replacement part number of the part required

For our latest prices and information please go to www.einhell.com.au

8. Disposal and recycling

The unit is supplied in packaging to prevent its being damaged in transit. This packaging is raw material and can therefore be reused or can be returned to the raw material system.

The unit and its accessories are made of various types of material, such as metal and plastic. Defective components must be disposed of as special waste. Ask your dealer or your local council.

9. Storage

Store the equipment and accessories out of children's reach in a dark and dry place at above freezing temperature. The ideal storage temperature is between 5 and 30 °C. Store the electric tool in its original packaging.



©

The reprinting or reproduction by any other means, in whole or in part, of documentation and papers accompanying products is permitted only with the express consent of ISC GmbH.





• Technical changes subject to change





The guarantee provided in this Guarantee Certificate is given by Einhell Australia Pty Limited
 ACN 134 632 858 of 6/166 Wellington Street, Collingwood, Victoria (Telephone number 1300 922 271)
 (Einhell Express Guarantee)

GB **GUARANTEE CERTIFICATE**

Dear Customer,

All of our products undergo strict quality checks. In the unlikely event that your device develops a fault, please contact our service department at the address shown on this guarantee certificate. Of course, if you would prefer to call us then we are also happy to offer our assistance under the service number printed below. Please note the following terms under which claims under the Einhell Express Guarantee can be made:

1. The benefits conferred by the Einhell Express Guarantee are in addition to all rights and remedies which you may be entitled to under the Australian Consumer Law, and any other statutory rights you may have under other applicable laws. This Einhell Express Guarantee does not exclude, restrict or modify any such rights or remedies.
We do not charge you for the Einhell Express Guarantee.
2. Our goods come with guarantees that cannot be excluded under the Australian Consumer Law. You are entitled to a replacement or refund for a major failure and for compensation for any other reasonably foreseeable loss or damage. You are also entitled to have the goods repaired or replaced if the goods fail to be of acceptable quality and the failure does not amount to a major failure.
3. The Einhell Express Guarantee only covers problems caused by material or manufacturing defects, and our liability under the Einhell Express Guarantee is limited, at our discretion, to the rectification of these defects or replacement of the product. Please note that the product has not been designed for use in commercial, trade or industrial applications. Consequently, the Einhell Express Guarantee will not apply if the product is used in commercial, trade or industrial applications or for other equivalent activities.
4. The following are also excluded from the Einhell Express Guarantee: compensation for transport damage, damage caused by failure to comply with the installation/assembly instructions or damage caused by unprofessional installation, failure to comply with the operating instructions (e.g. connection to the wrong mains voltage or current type), misuse or inappropriate use (such as overloading of the product or use of non-approved tools or accessories), failure to comply with the maintenance and safety regulations, ingress of foreign bodies into the product (e.g. sand, stones or dust), effects of force or external influences (e.g. damage caused by the product being dropped) and normal wear resulting from proper operation of the product. The Einhell Express Guarantee will also not apply if any attempt is made to tamper with the product.
5. The Einhell Express Guarantee is valid for a period of 2 years starting from the purchase date of the product. Claims made under the Einhell Express Guarantee should be submitted before the end of this guarantee period and within two weeks of the defect being noticed. No claims under the Einhell Express Guarantee will be accepted if submitted after the end of this guarantee period. The original guarantee period remains applicable to the device even if repairs are carried out or parts are replaced. In such cases, the work performed or parts fitted will not result in an extension of the guarantee period for the Einhell Express Guarantee, and the Einhell Express Guarantee will not apply for the work performed or parts fitted. This also applies when an on-site service is used.
6. To make a claim under the Einhell Express Guarantee, please send the relevant product postage-free to the address shown below and enclose either the original or a copy of your sales receipt or another dated proof of purchase. It would help us if you could describe the nature of the problem in as much detail as possible. If the defect is covered by the Einhell Express Guarantee, your product will be repaired immediately and returned to you, or we will send you a new device (at our election). Any costs incurred by you in making a claim under this Einhell Express Guarantee, unless specified otherwise in this guarantee certificate, must be borne by you.

Of course, we are also happy to offer a chargeable repair service for any defects which are not covered by the scope of the Einhell Express Guarantee or for products which are no longer covered by the Einhell Express Guarantee. To take advantage of this service, please send the product to our service address.

EINHELL AUSTRALIA PTY LTD
 6/166 Wellington Street- Collingwood VIC 3066
 Australia - Phone: 1300 922 271





EH 04/2012 (02)

