



**1050W**

**IMPACT DRILL**



**INSTRUCTION MANUAL**

**MODEL NUMBER KCSB 1102**

**AFTER SALES SUPPORT**

**TEL: 1300 922 271**

**EMAIL: [service.australia@einhell.com](mailto:service.australia@einhell.com)**

**✓ N26704**

# Impact Drill

## What your 1 year warranty means

Great care has gone into the manufacture of this product and it should therefore provide you with years of good service when used properly. In the event of product failure within its intended use over the course of the first 1 year after the date of purchase, we will remedy the problem as quickly as possible once it has been brought to our attention. In the unlikely event of such an occurrence, or if you require any information about the product, please contact us via our after sales support services, details of which can be found in this manual and on the product itself.

## Welcome Section

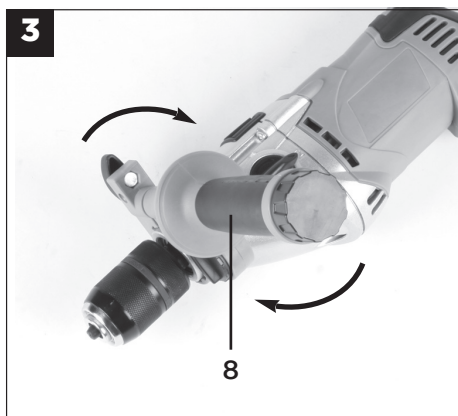
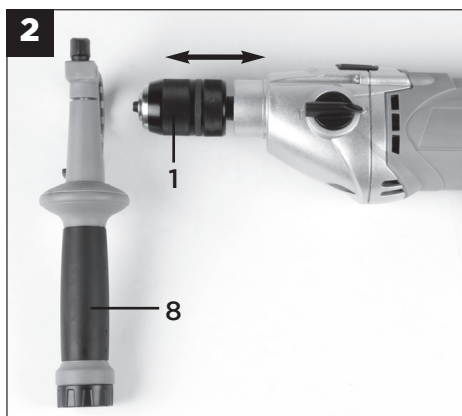
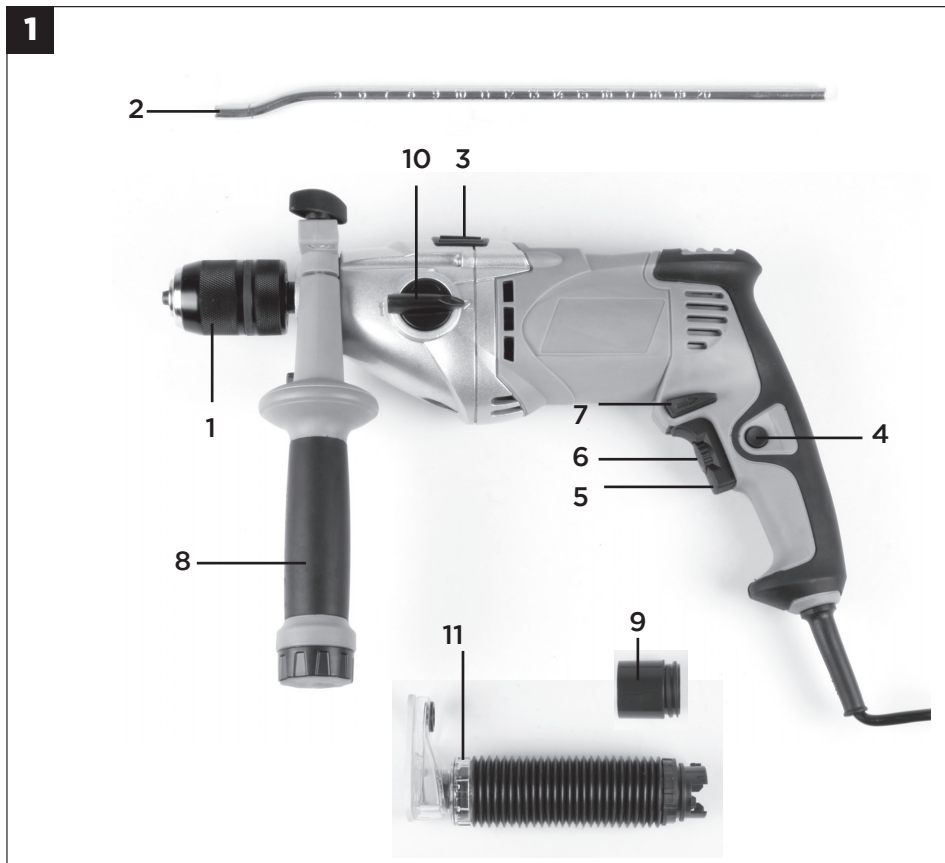
Congratulations on choosing to buy a TAURUS® product.

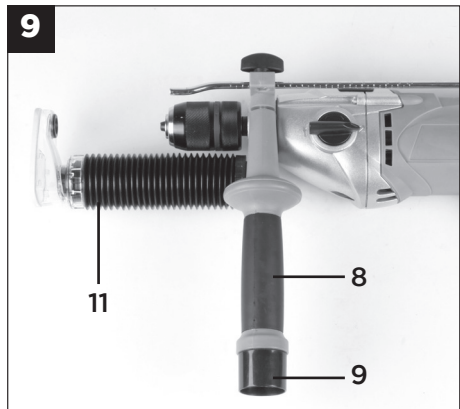
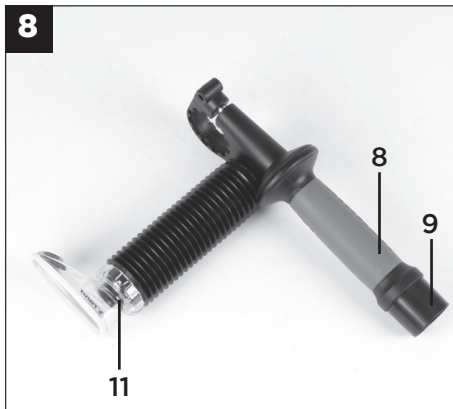
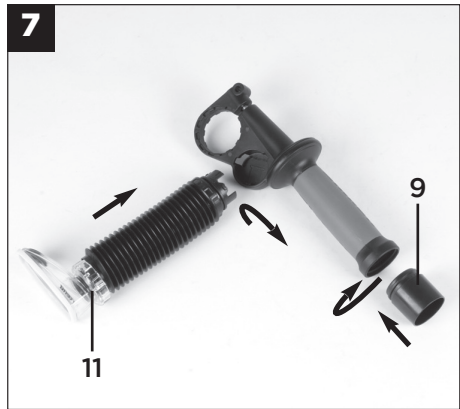
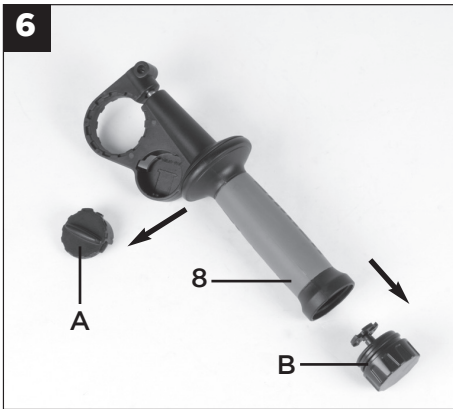
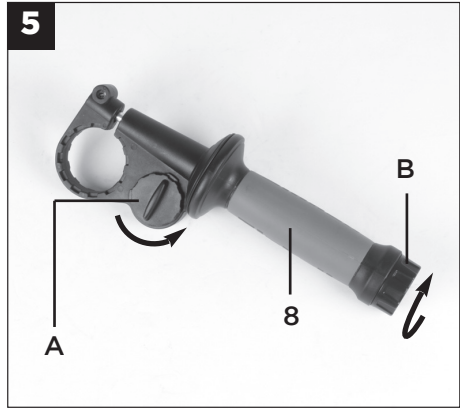
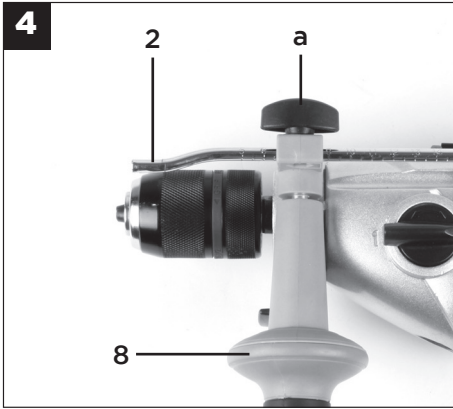
All products brought to you by TAURUS® are manufactured to the highest standards of performance and safety, and, as part of our philosophy of customer service and satisfaction, are backed by our comprehensive 1 Year Warranty.

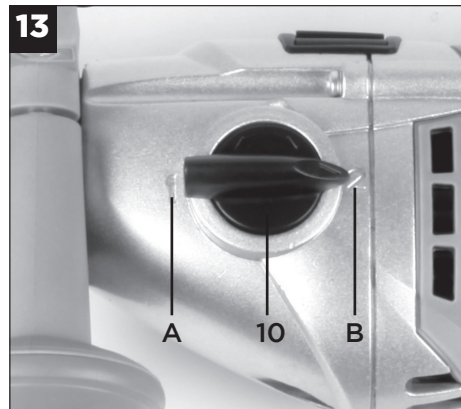
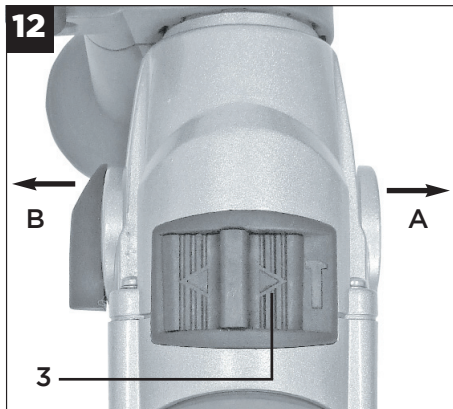
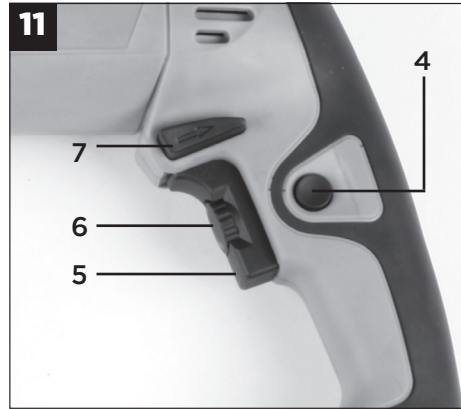
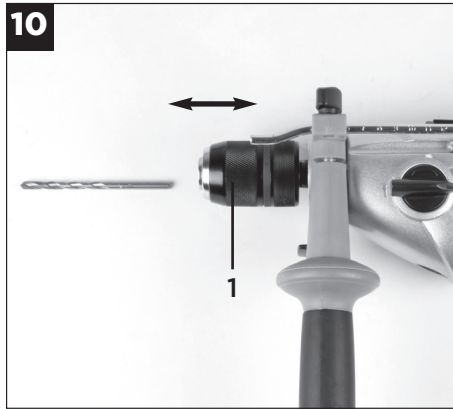
We hope you will enjoy using your purchase for many years to come.

## Table of Contents

1. General safety rules
2. Safety regulations
3. Layout
4. Items supplied
5. Proper use
6. Technical data
7. Before starting the machine
8. Operation
9. Replacing the power cable
10. Cleaning, maintenance and ordering of spare parts
11. Disposal and recycling
12. Storage







# 1. GENERAL SAFETY RULES

**WARNING!** Read all instructions. *Failure to follow all instructions listed below may result in electric shock, fire and/or serious injury. The term "power tool" in all of the warnings listed below refers to your mains-operated (corded) power tool or battery-operated (cordless) power tool.*

## SAVE THESE INSTRUCTIONS

### 1. Work area

- a. **Keep work area clean and well lit.** *Cluttered and dark areas invite accidents.*
- b. **Do not operate power tools in explosive atmospheres,** such as in the presence of flammable liquids, gases or dust. *Power tools create sparks which may ignite the dust or fumes.*
- c. **Keep children and bystanders away while operating a power tool.** *Distractions can cause you to lose control.*

### 2. Electrical safety

- a. **Power tools plugs must match the outlet.** *Never modify the plug in any way. Do not use any adapter plugs with earthed (grounded) power tool. Unmodified plugs and matching outlets will reduce risk of electric shock.*
- b. **Avoid body contact with earthed or grounded surfaces** such as pipes, radiators, ranges and refrigerators. *There is an increased risk of electric shock if your body is earthed or grounded.*
- c. **Do not expose power tools to rain or wet conditions.** *Water entering a power tool will increase the risk of electric shock.*
- d. **Do not abuse the cord.** *Never use the cord for carrying, pulling or unplugging the power tool. Keep cord away from heat, oil, sharp edges or moving parts. Damaged or entangled cords increase the risk of electric shock.*
- e. **When operating a power tool outdoors,** use an extension cord suitable for outdoor use. *Use of a cord suitable for outdoor use reduces the risk of electric shock.*

### 3. Personal safety

- a. **Stay alert, watch what you are doing and use common sense when operating a power tool.** *Do not use a power tool while you are tired or under the influence of drugs, alcohol or medication. A moment of inattention while operating power tools may result in serious personal injury.*
- b. **Use safety equipment.** *Always wear eye protection. Safety equipment such as dust mask, non-skid safety shoes, hard hat, or hearing protection used for appropriate conditions will reduce personal injuries.*
- c. **Avoid accidental starting.** *Ensure the switch is in the off-position before plugging in. Carrying power tools with your finger on the switch or plugging in power tools that have the switch on invites accidents.*

- d. **Remove any adjusting key or wrench before turning the power tool on.** *A wrench or a key left attached to rotating part of the power tool may result in personal injury.*
- e. **Do not overreach.** *Keep proper footing and balance at all times. This enables better control of the power tool in unexpected situations.*
- f. **Dress properly.** *Do not wear loose clothing or jewellery. Keep your hair, clothing and gloves away from moving parts. Loose clothes, jewellery or long hair can be caught in moving parts.*
- g. **If devices are provided for the connection of dust extraction and collection facilities,** ensure these are connected and properly used. *Use of these devices can reduce dust-related hazards.*

### 4. Power tool use and cars

- a. **Do not force the power tool.** *Use the correct power tool for your application. The correct power tool will do the job better and safer at the rate for which it was designed.*
- b. **Do not use the power tool if the switch does not turn it on and off.** *Any power tool that cannot be controlled with the switch is dangerous and must be repaired.*
- c. **Disconnect the plug from the power source and/or the battery pack from the power tool before making any adjustments, changing accessories, or storing power tools.** *Such preventive safety measures reduce the risk of starting the power tool accidentally.*
- d. **Store idle power tools out of the reach of children and do not allow persons unfamiliar with the power tool or these instructions to operate the power tool.** *Power tools are dangerous in the hands of untrained users.*
- e. **Maintain power tools.** *Check for misalignment or binding of moving parts, breakage of parts and any other condition that may affect the power tools operation. If damaged, have the power tool repaired before use. Many accidents are caused by poorly maintained power tools.*
- f. **Keep cutting tools sharp and clean.** *Properly maintained cutting tools with sharp cutting edges are less likely to bind and are easier to control.*
- g. **Use the power tool, accessories and tool bits etc. in accordance with these instructions and in the manner intended for the particular type of power tool,** taking into account the working conditions and the work to be performed. *Use of the power tool for operations different from those intended could result in a hazardous situation.*

### 5. Service

- a. **Have your power tool serviced by a qualified repair person using only identical replacement parts.** *This will ensure that the safety of the power tool is maintained.*



**Caution** - Read the operating instructions to reduce the risk of injury.



**Wear ear-muffs.**  
The impact of noise can cause damage to hearing.



**Wear a breathing mask.**  
Dust which is injurious to health can be generated when working on wood and other materials.  
Never use the device to work on any materials containing asbestos!



**Wear safety goggles.**  
Sparks generated during working or splinters, chips and dust emitted by the device can cause loss of sight.



To avoid damaging the gearbox, the drill / hammer drill selector switch should only be moved when the machine is at a standstill.



Change the gear only when the drill is at a standstill. If you fail to observe this point, the gearing may be damaged.

## Important!

When using equipment, a few safety precautions must be observed to avoid injuries and damage. Please read the complete operating manual with due care. Keep this manual in a safe place, so that the information is available at all times. If you give the equipment to any other person, give them these operating instructions as well. We accept no liability for damage or accidents which arise due to non-observance of these instructions and the safety information.

## 2. Safety regulations:

The corresponding safety information can be found in the enclosed booklet.

### CAUTION

Read all safety regulations and instructions. Any errors made in following the safety regulations and instructions may result in an electric shock, fire and/or serious injury. Keep all safety regulations and instructions in a safe place for future use.

- 1. Keep your work area tidy.** Untidiness in the workplace can lead to risk of accidents.
- 2. Take into account influences from the surrounding environment.** Do not expose electrical appliances to rain. Do not use electric tools in damp or wet environments. Provide good lighting. Do not use electric tools near flammable liquids or gases.
- 3. Protect against electric shock.** Avoid bodily contact with earthed parts, for example pipes, heaters, ovens and fridges.
- 4. Keep other people away!** Do not let other people gain access to the tool or cable, keep them away from your workplace.
- 5. Store the equipment safely and securely.** Unused equipment must be stored in a dry, locked room, out of the reach of children.
- 6. Do not overburden the tool.** It will work better and safer when used within its quoted capacity range.
- 7. Use the correct tool.** Do not use weak tools or attachments for heavy duty work. Never use the electric tool for purposes other than that for which it is designed, for example do not use the hand-held circular saw to fell trees or cut branches.
- 8. Wear suitable work clothes.** Do not wear loose clothing or jewellery. It could get caught in moving parts. Rubber gloves and non-slip shoes are recommended when working outdoors. If you have long hair, wear a hair-net.
- 9. Wear safety goggles.** Use a dust mask when working on dusty jobs.
- 10. Do not use the cable for purposes other than that for which it is designed.** Do not carry the tool by the cable and do not use it to pull the plug out of the socket. Do not carry the charger by the cable and do not use it to pull the plug out of the socket.
- 11. Secure the workpiece.** Use clamps or a vice to hold the workpiece securely. This is safer than using your hand, and also makes it possible to use the machine with both hands.
- 12. Take care that your feet are a stable distance apart.** Avoid abnormal working postures. Make sure you stand squarely and keep your balance at all times.
- 13. Take good care of your tools.** Keep your tools sharp and clean to keep them working safely and efficiently. Observe the maintenance instructions and the notes about changing tools. Check the plug and cable regularly, and if they are damaged, have them replaced by a certified expert. Check extension leads regularly and replace these if damaged. Keep handles dry, clean and free from oil and grease.
- 14. Pull the power plug.** When not in use, before maintenance work or when changing tools, such as saw blade, drill and machine tools of any kind.

15. **Always remove keys and wrenches after use.** Before switching on, make sure that all keys and wrenches have been removed from the tool.
16. **Avoid unsupervised operation.** Never carry mains-powered tools with your finger on the switch. Make sure the switch is OFF when connecting the tool to the mains.
17. **Outdoor use of extension cables.** For outdoor use, only use approved and appropriately labelled extension cables.
18. **Be alert at all times.** Observe your work. Work carefully. Never use the electric tool when you are distracted.
19. **Check the appliance for damage.** Before using the equipment further, check that safety equipment or slightly damaged parts are in good working order and function correctly. Check that the moving parts are working correctly, that they do not jam, and that no parts are damaged. Make sure that all parts are fitted correctly, to ensure that the equipment remains safe to use. Damaged safety devices and parts must be repaired or replaced by experts in a customer service workshop, unless otherwise stated in the manual. Damaged switches must be replaced by a customer service workshop. Do not use equipment for which the on-off switch does not correctly function.
20. **Important!** For your own safety, only use accessories and auxiliaries which are stated in the operating instructions or which have been recommended or indicated by the manufacturer. Use of any other attachments or accessories than those stated in the operating instructions or in the catalogue could lead to personal injury.
21. **Repairs should only be done by an expert.** This electric tool complies with the pertinent safety regulations. Repair work may only be carried out by an electrician. Otherwise there is a risk of accidents for the operator.
22. **Attach the dust extraction system.** If there are apparatuses available for the attachment of the dust extraction system, make sure these are connected and used.

### 3. Layout

1. Drill chuck
2. Drill depth stop
3. Drill/hammer drill selector switch
4. Locking button
5. ON/OFF switch
6. Speed controller
7. Clockwise/Counter-clockwise switch
8. Additional handle
9. Dust extraction adapter
10. Gear selector switch
11. Dust extraction

### 4. Items supplied

- Open the packaging and take out the equipment with care.
- Remove the packaging material and any packaging and/or transportation braces (if available).
- Check to see if all items are supplied.
- Inspect the equipment and accessories for transport damage.
- If possible, please keep the packaging until the end of the guarantee period.

#### IMPORTANT

**The equipment and packaging material are not toys. Do not let children play with plastic bags, foils or small parts. There is a danger of swallowing or suffocating!**

- Hammer drill
- Drill depth stop
- Dust extraction adapter
- Dust extraction
- Original operating instructions
- Safety instructions

### 5. Proper use

The drill is designed for drilling holes into wood, iron, non-ferrous metals and rock using the appropriate bits.

The equipment is to be used only for its prescribed purpose. Any other use is deemed to be a case of misuse. The user / operator and not the manufacturer will be liable for any damage or injuries of any kind caused as a result of this.

Please note that our equipment has not been designed for use in commercial, trade or industrial applications. Our warranty will be voided if the machine is used in commercial, trade or industrial businesses or for equivalent purposes.



## 9 6. Technical data

Mains voltage:	230 V - 50Hz
Power input:	1050W
Idling speed 1:	0 - 1,100 min <sup>-1</sup>
Idling speed 2:	0 - 3,000 min <sup>-1</sup>
Drilling capacity:	Concrete 16 mm Steel 13 mm Wood 40 mm
Protection class:	II / □
Weight:	3.5 kg

### Sound and vibration (drilling)

Sound and vibration values were measured in accordance with EN 6074

L <sub>DA</sub> sound pressure level	88 dB(A)
K <sub>DA</sub> uncertainty	3 dB
L <sub>WA</sub> sound power level	99 dB(A)
K <sub>WA</sub> uncertainty	3 dB

### Sound and vibration (hammer drilling)

Sound and vibration values were measured in accordance with EN 6074

L <sub>DA</sub> sound pressure level	94 dB(A)
K <sub>DA</sub> uncertainty	3 dB
L <sub>WA</sub> sound power level	105 dB(A)
K <sub>WA</sub> uncertainty	3 dB

### Wear ear-muffs.

The impact of noise can cause damage to hearing.

Total vibration values (vector sum of three directions) determined in accordance with EN 60745.

### Hammer drilling in concrete

Vibration emission value  $a_{h, ID} = 13.8 \text{ m/s}^2$   
K uncertainty =  $1.5 \text{ m/s}^2$

### Drilling in metal

Vibration emission value  $a_{h, D} = 3.8 \text{ m/s}^2$   
K uncertainty =  $1.5 \text{ m/s}^2$

### Additional information for electric power tools Warning!

The specified vibration value was established in accordance with a standardized testing method. It may change according to how the electric equipment is used and may exceed the specified value in exceptional circumstances.

The specified vibration value can be used to compare the equipment with other electric power tools. The specified vibration value can be used for initial assessment of a harmful effect.

### Keep the noise emissions and vibrations to a minimum.

- Only use appliances which are in perfect working order.
- Service and clean the appliance regularly.
- Adapt your working style to suit the appliance.
- Do not overload the appliance.
- Have the appliance serviced whenever necessary.
- Switch the appliance off when it is not in use.
- Wear protective gloves.

### Residual risks

**Even if you use this electric power tool in accordance with instructions, certain residual risks cannot be ruled out. The following hazards may arise in connection with the equipment's construction and layout:**

1. Lung damage if no suitable protective dust mask is used.
2. Damage to hearing if no suitable ear protection is used.
3. Health damage caused by hand-arm vibrations if the equipment is used over a prolonged period or is not properly guided and maintained.

**Warning!** The electric power tool generates an electromagnetic field during operation. Under certain circumstances this field may actively or passively impede medical implants. To reduce the risk of serious or fatal injuries, we recommend persons with medical implants to consult their doctor and the manufacturer of the medical implant prior to using the equipment.

## 7. Before starting the equipment

Before you connect the equipment to the mains supply make sure that the data on the rating plate are identical to the mains data.

Always pull the power plug before making adjustments to the equipment.

### 7.1. Fitting the additional handle (Fig. 2-3/Item 8)

The additional handle (8) enables you to achieve better stability whilst using the hammer drill. Do not use the tool without the additional handle. The additional handle (8) is secured to the hammer drill by a clamp. During the handle clockwise tightens this clamp. Turning it anti-clockwise will release the clamp.

- The supplied additional handle (8) must first be fitted. To do this, the clamp must be opened by turning the handle until it is wide enough for the additional handle to be slid over the chuck (1) and on to the hammer drill.
- After you have positioned the additional handle (8), turn it to the most comfortable working position for you.
- Now turn the handle in the opposite direction again until the additional handle is secure.
- The additional handle (8) is suitable for both lefthanded and right-handed users.

### 7.2 Fitting and adjusting the depth stop (Fig. 4/Item 2)

- Undo the thumb screw (a) on the additional handle (8) and insert the depth stop (2) in the hole of the additional handle.
- Set the depth stop and retighten the thumb screw.
- Now drill the hole until the depth stop touches the workpiece.

### 7.3 Fitting the drill bit (Fig. 10)

- Always pull the power plug before making adjustments to the equipment.
- Release the depth stop as described in 6.2 and push it towards the additional handle. This provides free access to the chuck (1).
- This hammer drill is fitted with a keyless chuck (1).
- Open the chuck (1). The drill bit opening must be large enough to fit the drill bit into.
- Select a suitable drill bit. Push the drill bit as far as possible into the chuck opening.
- Close the chuck (1). Check that the drill bit is secure in the chuck (1).
- Check at regular intervals that the drill bit or tool is secure (pull the mains plug).

### 7.4 Fitting the dust extraction system (Fig. 5-9)

- The dust extraction system (11) is fitted on the additional handle (8). It can also be used in combination with the depth stop (2). This prevents the work area becoming very dirty.
- Release the cover (A) and the sealing cap (B) by turning the additional handle (8). Several drill bits can be stored in the sealing cap (B) to save space (Fig. 5-6).
- Screw the dust extractor adapter (9) on to the additional handle (8) from underneath.
- Now place the dust extraction system (11) on to the additional handle (8) as shown in Fig. 7 - 8 and secure it by turning it.
- **Important. There are detents on the cover (A) and the dust extraction system (11) which must be engaged in the corresponding recesses on the additional handle (8) before the cover (A) or dust extraction system (11) can be turned and locked.**

- Remove the dust extraction system (11) by following the above in reverse.
- Fit the additional handle (8) on the machine as described in 6.1. Please note that the additional handle (8) must be fitted to the left-hand side of the machine if the dust extraction system (11) is also fitted (Fig. 9).
- The dust extraction system (11) can be fitted to the machine even if the additional handle (8) is fitted.
- If the dust extraction system (11) is not required, the cover (A) and the sealing cap (B) must be fitted to the additional handle (8).

## 8. Operation

### 8.1 ON/OFF switch (Fig. 11/Item 5)

- First fit a suitable drill bit into the tool (see 7.3).
- Connect the mains plug to a suitable socket.
- Position the drill in the position you wish to drill.

#### To switch on:

Press the ON/OFF switch (5)

#### Continuous operation:

Secure the ON/OFF switch (5) with the locking button (4).

#### To switch off:

Press the ON/OFF switch (5) briefly.

### 8.2 Adjusting the speed (Fig. 11/Item 5)

- You can infinitely vary the speed whilst using the tool.
- Select the speed by applying a greater or lesser pressure to the ON/OFF switch (5).
- Select the correct speed: The most suitable speed depends on the workpiece, the type of use and the drill bit used.
- Low pressure on the ON/OFF switch (5): Lower speed (suitable for: small screws and soft materials)
- Greater pressure on the ON/OFF switch (5):
- Higher speed (suitable for large/long screws and hard materials)

**Tip:** Start drilling holes at low speed. Then increase the speed in stages.

#### Benefits:

- The drill bit is easier to control when starting the hole and will not slide away.
- You avoid drilling messy holes (for example in tiles).

### 8.3 Preselecting the speed (Fig. 11/Item 6)

- The speed setting ring (6) enables you to define the maximum speed. The ON/OFF switch (5) can only be pressed to the defined maximum speed setting.
- Set the speed using the setting ring (6) on the ON/OFF switch (5).
- Do not attempt to make this setting whilst the drill is in use.

#### 8.4 Clockwise/Counter-clockwise switch (Fig. 11/Item 7)

- Change switch position only when the drill is at a standstill!
- Switch the direction of the hammer drill using the clockwise/counter-clockwise switch (7):

Direction	Switch Position
Clockwise (forwards and drill)	Pushed in to the right
Counter-clockwise (reverse)	Pushed in to the left

#### 8.5 Drill / hammer drill selector switch (Fig. 12/Item 3)

Change switch position only when the drill is at a standstill!

##### Drill

Drill / hammer drill selector switch (3) in the drill position. (Position A)  
Use for: Wood, metal, plastic

##### Hammer drill

Drill / hammer drill selector switch (3) in the hammer drill position. (Position B)  
Use for: Concrete, rock, masonry

#### 8.6 Defining the speed range (Fig.13)

The speed selector switch (9) enables you to work within a specific speed range.

##### Switch position, setting 1 (A)

**Speed range:** High torque, low speed

##### Switch position, setting 2 (B)

**Speed range:** Low torque, high speed

**Important.** Do not attempt to make this setting whilst the drill is in use.

#### 8.7 Tips for working with your hammer drill

##### 8.7.1 Drilling concrete and masonry

- Switch the Drill/Hammer drill selector switch (3) to position B (Hammer drill).
- Always use carbide drill bits and a high speed setting for drilling into masonry and concrete.

##### 8.7.2 Drilling steel

- Switch the drill / hammer drill selector switch (3) to position A (drill).
- Always use HSS drill bits (HSS = high speed steel) and a low speed setting for drilling steel.
- We recommend that you lubricate the hole with a suitable cutting fluid to prevent unnecessary drill bit wear.

##### 8.7.3 Starting holes

If you wish to drill a deep hole in a hard material (such as steel), we recommend that you start the hole with a smaller drill bit.

##### 8.7.4 Drilling tiles

- To start the hole, switch the drill / hammer drill selector switch (3) to position A (drill).
- Switch the drill / hammer drill selector switch (3) to position B (hammer drill) as soon as the drill bit has passed through the tiles.

#### 8.8 Drilling with the dust extraction system (11)

Use the dust extraction system only for drilling into concrete, bricks and masonry since wood or plastic chips may block the extraction system. Do not drill into metallic materials since hot metal chips can damage the dust extraction system.

- Fit the dust extraction system (11); see point 7.4.
- Connect the dust extractor adapter (9) to the suction hose of a suitable vacuum cleaner. The vacuum cleaner must be suitable for handling the substance that will be extracted. Harmful dust must not be extracted using the dust extraction system (11). **Use on materials containing asbestos is prohibited!**
- Set the required drilling depth (see point 7.2).
- Mark the drilling position.
- Tip: To prevent the wall being soiled, you can mask the area around the transparent extraction opening with masking tape. Before you use the masking tape, test whether the tape can be removed easily from the wall again in a place that it not easily visible.
- Switch on the vacuum cleaner and place the transparent cover on the front of the dust extraction system (11) over the drilling point so that the drill bit is in front of the mark. Ensure that the transparent cover is in contact with the workpiece or wall.
- Press the drill bit and machine gently against the mark whilst the ON/OFF switch (5) is still set to off.
- Then drill the hole. See the instructions in point 8.7 for more details.
- The dust extraction system (11) must be cleaned after at least every 15 holes. For this purpose remove the dust extraction system (11) and the additional handle (8) as described in points 7.4 and 7.1. Clean the dust extraction system (11) and the interior of the additional handle (8) by carefully tapping them or blowing them through with low pressure compressed air.
- If the extraction performance is poor, check the dust extraction system (11) for possible blockages or dirt. ssions of wood dust when used in closed rooms.
- The transparent cover is enclosed in a protective ring to prevent it from suffering damage. This protective ring should be replaced as soon as it is damaged or worn.

## 9. Replacing the power cable

If the power cable for this equipment is damaged, it must be replaced by the manufacturer or its aftersales service or similarly trained personnel to avoid danger.

## 10. Cleaning, maintenance and ordering of spare parts

Always pull out the mains power plug before starting any cleaning work.

### 10.1 Cleaning

- Keep all safety devices, air vents and the motor housing free of dirt and dust as far as possible.
- Wipe the equipment with a clean cloth or blow it with compressed air at low pressure.
- We recommend that you clean the device immediately each time you have finished using it.
- Clean the equipment regularly with a moist cloth and some soft soap. Do not use cleaning agents or solvents; these could attack the plastic parts of the equipment. Ensure that no water can seep into the device.

### 10.2 Carbon brushes

In case of excessive sparking, have the carbon brushes checked only by a qualified electrician. Important! The carbon brushes should not be replaced by anyone but a qualified electrician.

### 10.3 Maintenance

There are no parts inside the equipment which require additional maintenance.

## 11. Disposal and recycling

The unit is supplied in packaging to prevent its being damaged in transit. This packaging is raw material and can therefore be reused or can be returned to the raw material system.

The unit and its accessories are made of various types of material, such as metal and plastic. Defective components must be disposed of as special waste. Ask your dealer or your local council.

## 12. Storage

Store the equipment and accessories out of children's reach in a dark and dry place at above freezing temperature. The ideal storage temperature is between 5 and 30 °C. Store the electric tool in its original packaging.

06/2012

Art.Nr: 42.598.75\_11021