



User Manual



BENCH DRILL

WZ-TB 13 L

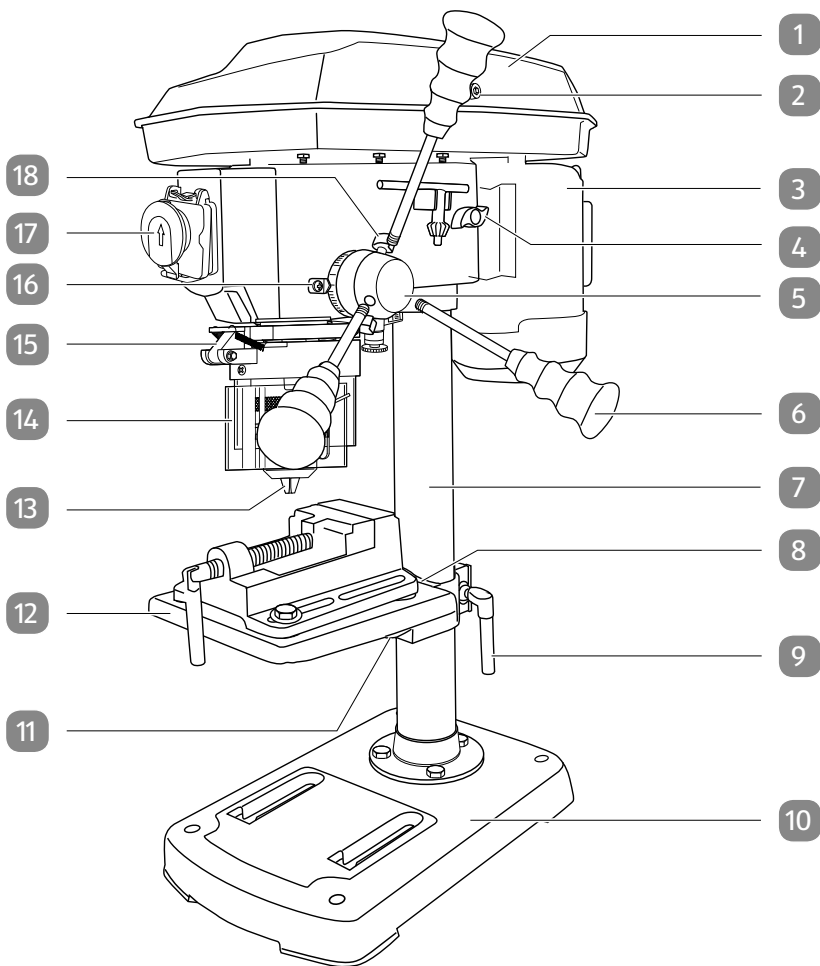


Original instructions

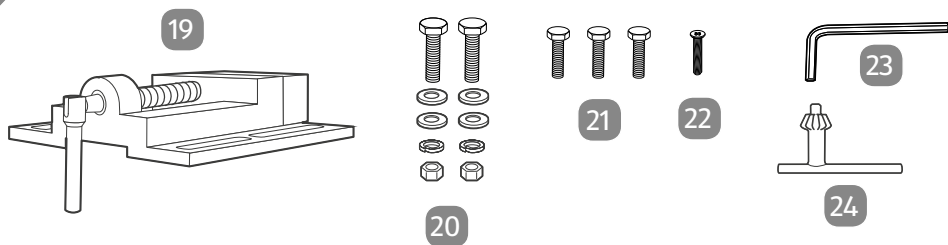
Contents

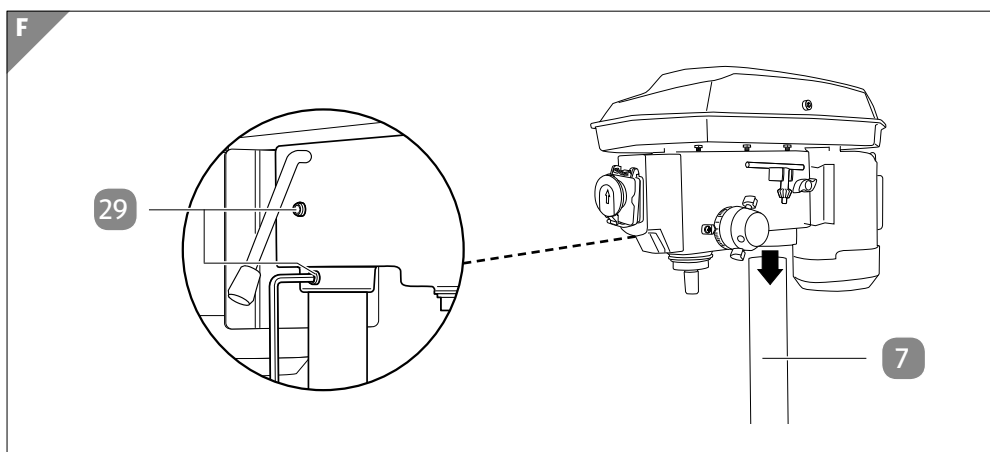
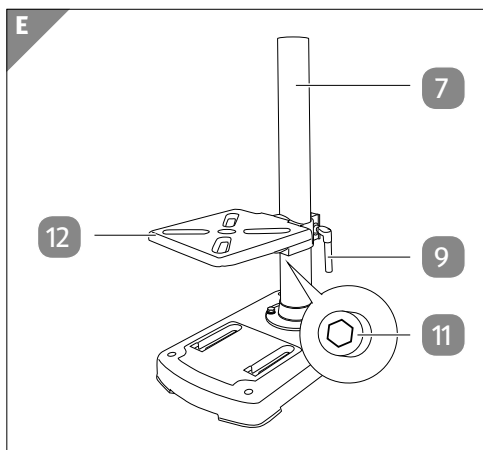
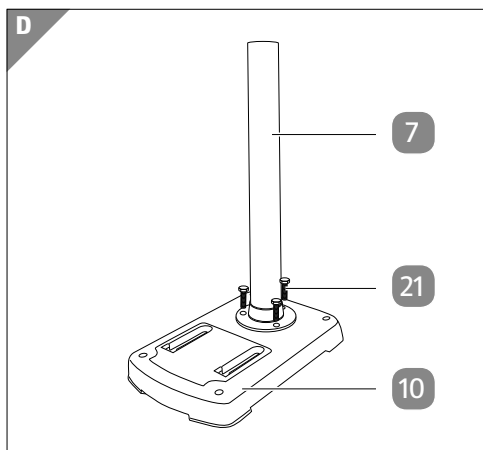
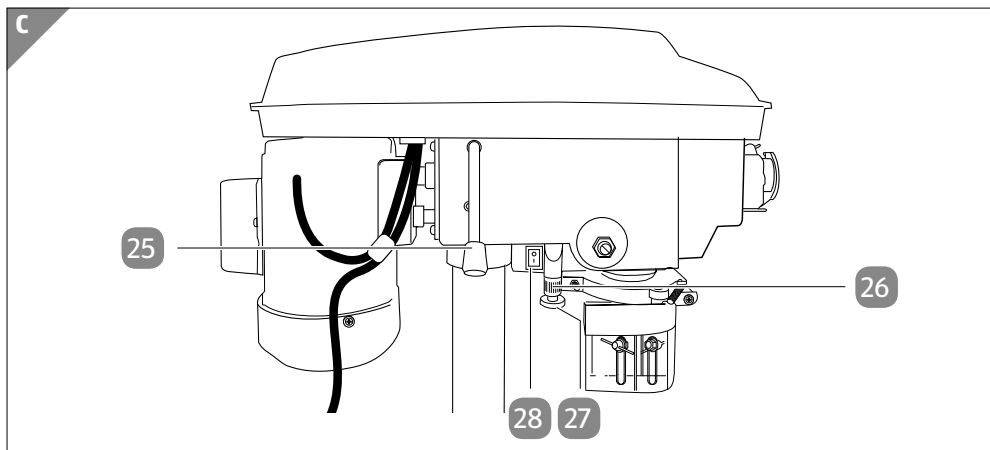
Overview	3
Use.....	4
Pack contents/device parts	6
General information.....	7
Reading and storing the user manual	7
Explanation of symbols	7
Safety	8
Proper use.....	8
Residual risks.....	9
General safety notes for power tools.....	9
Safety notes for drills.....	12
Safety notes for the line laser	13
Safety instructions for batteries.....	13
Supplementary safety instructions	14
Check the drill and package contents.....	16
Assembly	16
First use.....	17
Operation.....	17
Preparations.....	18
Emergency stop switch.....	18
Setting the speed	19
Speed table.....	21
Setting the height of the protective hood	22
Clamping the workpiece in the vice	22
Adjusting the drilling table	22
Setting the drill depth.....	23
Switching on and setting the line laser.....	23
Drilling workpieces.....	24
Tips for best results when drilling.....	25
Removing blockages.....	26
Cleaning and maintenance.....	26
Storage	28
Transport	28
Troubleshooting.....	29
Technical data	29
Noise information	30
Disposal.....	31
Declaration of conformity	32

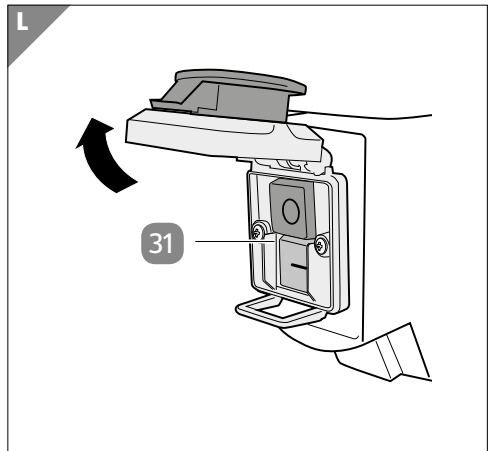
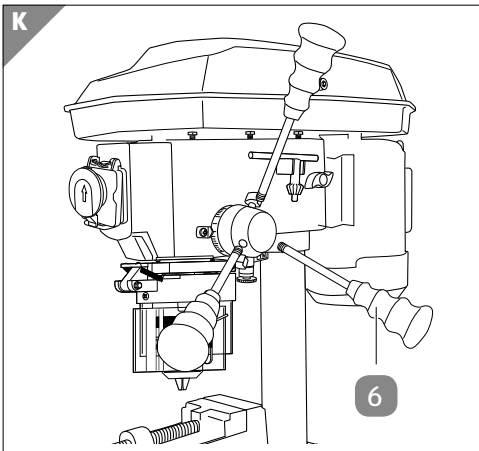
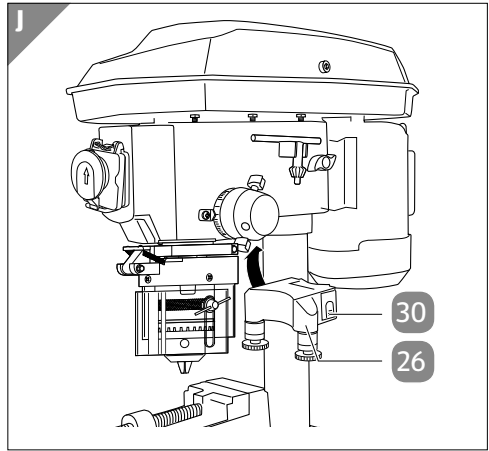
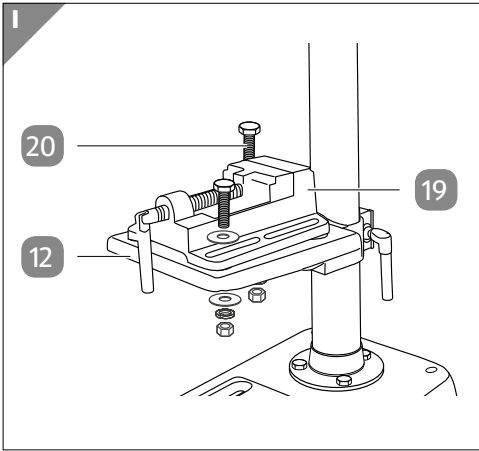
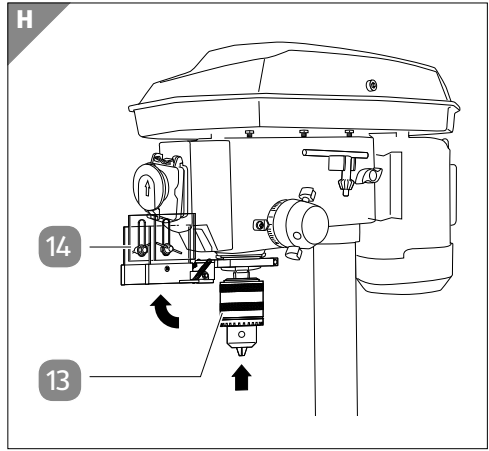
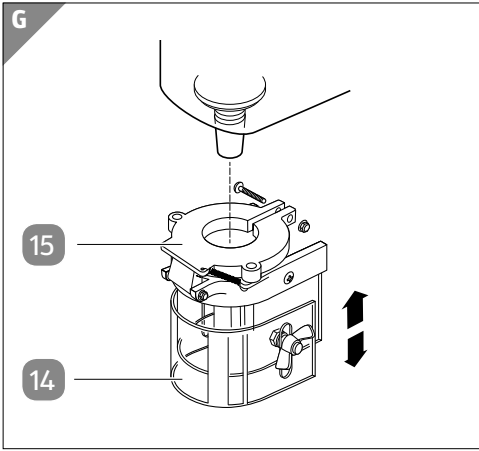
A



B







Product contents/device parts

- | | | | |
|----|--|----|--|
| 1 | Protective hood | 17 | Emergency stop switch |
| 2 | Locking screw | 18 | Clamping screw for setting the drilling depth, 2× |
| 3 | Motor | 19 | Vice |
| 4 | Tensioning screw for the motor | 20 | Fixing screw, 2×; washer, 4×; spring washer, 2×; nut, 2× |
| 5 | Handle fixture | 21 | Hexagon screw, 3× |
| 6 | Handle, 3× | 22 | Screw for line laser |
| 7 | Drill column | 23 | Hex key |
| 8 | Scale for setting the incline | 24 | Chuck key |
| 9 | Rotary knob for setting the height | 25 | Tension lever for V-belt |
| 10 | Base plate | 26 | Line laser |
| 11 | Screw for setting the incline | 27 | Rotating bezel, 2× |
| 12 | Drilling table | 28 | On/Off switch for the line laser |
| 13 | Chuck | 29 | Grub screw, 2× |
| 14 | Protective hood | 30 | Battery compartment cover |
| 15 | Foldable chip guard | 31 | On/Off switch I/O (On switch I : green; Off switch O : red) |
| 16 | Arrow mark for setting the drill depth | | |



The product contents include two R03 1.5 V batteries (AAA).

General information

Reading and storing the user manual



This user manual accompanies this bench drill WZ-TB 13 L (hereinafter referred to simply as “drill”). It contains important information on safety, usage and care.

Read the user manual carefully before using the drill. Pay particular attention to the safety instructions and warnings. Failure to follow the instructions in this user manual may result in serious injury or damage to the drill.

You must comply with applicable local or national regulations concerning the use of this product. Keep this user manual in a safe place for future reference. If you pass the drill on to third parties, please be absolutely sure to include this user manual.

Explanation of symbols

The following symbols and signal words are used in this user manual, on the drill or on the packaging.



Indicates a hazardous situation that, if not avoided, could result in death or serious injury.



Warns of possible damage to property.



This symbol provides you with useful supplementary information on assembly or use.



Declaration of conformity (see chapter “Declaration of conformity”): Products marked with this symbol meet all applicable Community regulations for the European Economic Area.



Read the user manual.



Wear suitable, tight fitting clothing.



Wear protective goggles.



Wear a dust mask.



Wear ear protection.



If applicable, wear a hair net or cap to prevent your hair from getting caught in rotating parts.



This device complies with protection class I.



Products marked with this warning notice are laser devices of class 2 with a wavelength of 650 nm and comply with EN 60825-1:2014. You may not look directly into the beam emitted by these products or use optical instruments to view them.

Safety

Proper use

The drill is only suitable for hobby and DIY tasks for drilling materials such as stone, wood and metal. It must not be used to drill into work materials that are hazardous to health such as asbestos.

The chuck is suitable for drill bits and tools with a shank diameter from 1.5 up to a maximum of 13 millimetres and cylindrical tool shank. Tools with a taper shank (MK2) can also be used.

The drill must not be operated continuously for more than 15 minutes. Afterwards, the drill must cool off before it is used again.

The drill may only be used by adults.

Any other applications are expressly prohibited and are deemed improper use.

Neither the manufacturer nor the retailer can accept any responsibility for injury, loss or damage caused by misuse of this product of any kind.

Examples of misuse are given in the following non-exhaustive list:

- Using the drill for other purposes than those which are intended;
- Failure to observe the safety instructions and warnings as well as the assembly, operating, maintenance and cleaning instructions contained in this user manual;
- Failure to comply with any regulations relating to accident prevention, occupational medicine or safety which specifically and/or generally apply to the use of this drill;

- Usage of accessories and spare parts which are not intended for the drill;
- Modifications to the drill;
- Repairs to the drill by parties other than the manufacturer or a qualified professional;
- Use of the drill for commercial or industrial applications as well as in connection with the trades;
- Operation or maintenance of drill by persons not familiar with how to handle the drill and/or who are not aware of or do not understand the associated risks.


Residual risks

Despite proper use, inconspicuous residual risks cannot be completely ruled out.

Depending on the type of drill, the following hazards may occur:

- Lung injury if a suitable dust mask is not worn;
- Hearing loss if suitable ear protection is not worn;
- Injury to health if the drill is not used or maintained properly;
- Injury to health attributed to hand and arm vibration if the drill is used over a prolonged period of time, is not guided in a controlled manner and maintained properly;
- risk of injury if long hair, loose-fitting clothing or jewellery get caught by rotating device parts.

General safety notes for power tools

 WARNING Read all the safety notes, instructions, illustrations and technical details supplied with this power tool. Failure to follow the safety notices and instructions may result in an electric shock, fire and/or severe injury.

Keep all safety notes and instructions for future reference.

The term “power tool” used in the safety instructions refers to mains-operated power tools (corded) and battery-powered power tools (cordless).

Work place safety

- a) **Keep your work area clean and well lit.** *Cluttered or dark areas invite accidents.*
- b) **Do not work with the power tool in areas with a risk of explosion where flammable liquids, gases or dusts are present.** *Power tools create sparks which may ignite the dust or fumes.*

- c) **Keep children and other persons away from the power tool while you are using it.** *If you are distracted, you could lose control of the power tool.*

Electrical safety

- a) **The connector plug for the power tool must fit in the socket. The plug must not be modified in any way. Do not use any adapter plugs in combination with power tools with protective earthing.** *Unmodified plugs and matching outlets will reduce the risk of electric shock.*
- b) **Avoid body contact with earthed surfaces like pipes, heaters, stoves and refrigerators.** *There is an increased risk of electric shock if your body is earthed or grounded.*
- c) **Keep power tools away from rain or moisture.** *Water entering a power tool will increase the risk of electric shock.*
- d) **Do not use the cord for improper purposes such as for carrying the power tool, for hanging it up or for pulling or unplugging it from the socket. Keep cord away from heat, oil, sharp edges and moving parts.** *Damaged or entangled cords increase the risk of electric shock.*
- e) **When operating a power tool outdoors, use only extension cords that are suitable for outdoor use.** *Use of a cord suitable for outdoor use reduces the risk of electric shock.*
- f) **If operating the power tool in a damp environment cannot be avoided, use a RCD.** *Use of an RCD reduces the risk of electric shock.*

Safety of persons

- a) **Be careful, pay attention to what you are doing and approach work with a power tool in a reasonable manner. Do not use any power tool if you are tired or under the influence of drugs, alcohol or medication.** *A moment of inattention while operating power tools may result in serious personal injury.*
- b) **Wear personal protective gear and always wear safety glasses.** *Protective equipment such as dust mask, non-skid safety shoes, hard hat, or hearing protection used for appropriate conditions will reduce personal injuries.*

- c) **Avoid accidentally activating the device. Make sure that the power tool is turned off before you connect it to the power supply and/or the rechargeable battery, pick it up or carry it.** *Carrying power tools with your finger on the switch or connecting the power tool to a power supply while the switch is set to “on” may lead to accidents.*
- d) **Remove all adjusting tools or spanners before you switch the power tool on.** *A wrench or a key left attached to a rotating part of the power tool may result in personal injury.*
- e) **Avoid an abnormal posture. Keep proper footing and balance at all times.** *This enables better control of the power tool in unexpected situations.*
- f) **Wear suitable clothing. Do not wear loose clothing or jewellery. Keep your hair and clothing away from moving parts.** *Loose clothes, jewellery or long hair can be caught in moving parts.*
- g) **If there is an option for installing dust suction devices and dust containers, these should be attached and used correctly.** *Use of dust collection can reduce dust-related hazards.*
- h) **Do not be lulled into a false sense of security and ignore the safety rules for power tools, even if you are well acquainted with power tools, having used them frequently.** *Using power tools without due care and attention can cause serious injuries in a split second.*

Using and handling the power tool

- a) **Do not overload the power tool. Use the right power tool for your work.** *The correct power tool will do the job better and safer at the rate for which it was designed.*
- b) **Do not use a power tool if its switch is defective.** *Any power tool that cannot be controlled with the switch is dangerous and must be repaired.*
- c) **Disconnect the plug from the power source and/or remove the rechargeable battery from the power tool before making any adjustments, changing insertion tools or storing the power tool.** *Such preventive safety measures reduce the risk of starting the power tool accidentally.*

- d) **Keep unused power tools out of the reach of children. Do not let any individual who is not familiar with the power tool or who has not read these instructions operate this power tool.** *Power tools are dangerous in the hands of untrained users.*
- e) **Maintain power tools and insertion tools with care. Check to make sure that the moving parts are functioning properly and not stuck, whether parts are broken or damaged so as to affect the function of the power tool. If any parts of the power tool are damaged, have them repaired before use.** *Many accidents are caused by poorly maintained power tools.*
- f) **Keep cutting tools sharp and clean.** *Properly maintained cutting tools with sharp cutting edges are less likely to bind and are easier to control.*
- g) **Use the power tool, accessories, insertion tools etc. in accordance with these instructions. At the same time, consider the working conditions and the work to be performed.** *Use of the power tool for operations different from those intended could result in a hazardous situation.*
- h) **Keep handles and handle surfaces dry, clean and free from oil and grease.** *Slippery handles and handle surfaces will prevent you from operating and controlling the power tools safely in unforeseen situations.*

Service

- a) **Only have your power tool repaired by a qualified professional and only with original spare parts.** *This will ensure that the safety of the power tool is maintained.*

Safety notes for drills

- a) **The drill must be secured.** *A drill that has not been mounted can move or tip over. This could result in injury.*
- b) **The workpiece must be clamped or mounted to a workpiece support. Do not drill workpieces that are too small for secure clamping.** *Holding the workpiece by hand may result in injury.*
- c) **Do not wear gloves.** *Gloves can get caught in turning parts or drill chips, which can lead to injuries.*
- d) **Keep your hands away from the area where you are drilling while the power tool is running.** *Contact with turning parts or drill chips can lead to injuries.*

- e) **The drill must be rotating before you guide it towards the workpiece.** *Otherwise, the drill can get caught in the workpiece, thus causing the workpiece to move unexpectedly as well as injuries.*
- f) **If the drill jams, stop pushing it down and turn off the power tool. Check and eliminate the cause for it jamming.** *Jamming can lead to the tool moving unexpectedly, causing injury.*
- g) **Avoid long drill chips by interrupting the downward pressure at regular intervals.** *Sharp metal chips can get caught and lead to injuries.*
- h) **Never remove drill chips from the area where you are drilling while the power tool is running. To remove chips, move the drill away from the workpiece, switch off the power tool and wait for the drill to stop. Use tools such as a brush or hook to remove chips.** *Contact with turning parts or drill chips can lead to injuries.*
- i) **The permissible speed of fitted tools with a rated speed must be at least as high as the maximum speed specified on the power tool.** *Accessories that rotate faster than permissible may break and be projected.*

Safety notes for the line laser

- Do not point the laser beam at persons, animals or reflective surfaces and do not look into the laser beam yourself. This laser emits a class 2 laser beam in accordance with DIN EN 60825-1. You could blind people with it.
- A laser is not a toy and does not belong in the hands of children. Using it incorrectly may result in irreparable damage to the eyes.
- It is forbidden to manipulate the laser so as to increase its power in any way. No liability will be assumed for any damages caused as the result of failure to comply with these safety instructions.
- The laser does not contain any serviceable parts. Therefore, do not open the housing. Otherwise, you will render the warranty void.
- **Warning!** Do not swap the laser with another type of laser. Only the manufacturer of the laser or an authorised representative may perform repairs.

Safety instructions for batteries

- Attention: Danger of explosion due to improper replacement of the batteries. Only replace the batteries with the same type or an equivalent battery type. Observe the “Technical data”.

- Batteries must not be charged, opened, thrown into fire, short circuited or reactivated by other means.
- Avoid contact with skin, eyes and mucus membranes. In the event of contact with battery acid, the affected area must be rinsed immediately with plenty of clean water and a doctor must be consulted immediately.
- If batteries are swallowed or if they are inside the body for any reason, seek medical advice immediately. Keep batteries away from children and animals.
- Take the batteries out of the battery compartment if they are empty or if you do not use the drill for a prolonged period of time. This avoids damage that could be caused by battery leakage.
- Do not expose the batteries to extreme conditions by, for example, placing them on radiators or exposing them to direct sunlight.
- If necessary, clean the contacts of the batteries and device before inserting them, e.g. with a piece of emery cloth.
- Make sure that the polarity is correct when inserting the batteries.
- Do not use old and new batteries of different types.

Supplementary safety instructions

- The drill may only be used by adults.
- Children must be supervised to make sure that they do not play with the drill.
- Keep children away from the packaging material and small parts. There is a choking hazard if swallowed.
- Only connect the drill if the mains voltage of the socket corresponds to the specification on the nameplate.
- Only connect the drill to an easily accessible socket so that you can quickly disconnect it from the mains in case of a failure.
- Do not operate the drill if it exhibits visible damages or the mains cord or mains plug is defective.
- If the mains cord for the drill is damaged, it must be replaced by the manufacturer, its After Sales Support department or a similarly qualified person in order to prevent risks.

-
- Only open the housing to the extent described in this user manual. Have qualified professionals perform repairs. Contact a qualified workshop for this. Liability and warranty claims are waived in the event of repairs performed by the user, improper connection or incorrect operation.
 - Only parts that comply with the original device data may be used for repairs. Electrical and mechanical parts, which are essential for providing protection against sources of danger, are located in this drill.
 - Protect the drill against moisture and only use it in dry indoor rooms.
 - Do not immerse the drill, the mains cord and the mains plug in water or other liquids.
 - Never touch the drill or the mains plug with damp hands.
 - Never pull the mains plug out of the socket by the mains cord; instead, always do so by taking hold of the mains plug.
 - Keep the drill, mains plug and mains cord away from open flames and hot surfaces.
 - Lay the power cable so that it does not pose a tripping hazard.
 - Do not kink the mains cord and do not lay it over sharp edges.
 - Always switch the drill off and pull the mains plug out of the socket when you are not using the drill, cleaning it, making settings or in the event of a fault.
 - When working with the drill, stand in front of it so that you can easily operate it and have an eye on everything.
 - Only use sharp, undamaged drill bits that are suitable for the respective material.
 - Always use the chip guard when drilling. If applicable, adjust its length for optimal protection.
 - Never touch the chuck or fitted drill bit or tool while it is still rotating. After you have switched the device off, the clamping chuck will not come to an immediate stop, but continue to rotate for a while.
 - Only use the accessories included in the product contents or those recommended by the manufacturer.
 - Wear suitable work gloves or wait until the drill bit or fitted tool have cooled off before changing them.
 - Do not exert excessive pressure while drilling. Always drill at the speed that suits the drill bit and the material you are drilling into.

Check the drill and package contents



Parts of the drill are greased to provide protection against corrosion.

- Wear suitable work clothing. Place all parts on a piece of cardboard or similar.

1. Lift the drill out of the packaging using both hands.
2. Place the drill on a level, stable base, e.g. on a workbench.
3. Check whether the drill or the individual parts exhibit any damage. If this is the case, do not use the drill. Contact the manufacturer at the service address specified on the warranty card.
4. Check to make sure that all parts are included (see **Fig. A,B, C and L**).

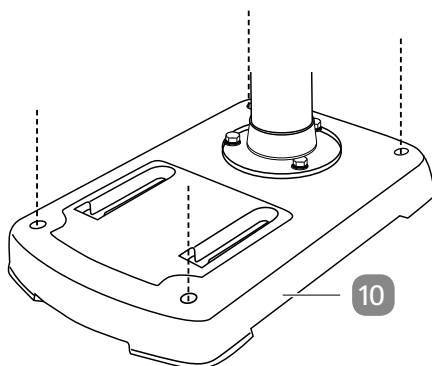
Assembly



- You will need an AF 13 open-ended spanner to mount the drill column **7**.
- Make sure that the drill is completely and properly assembled before you start it.

1. Place the base plate **10** on a solid and stable base such as a workbench. Use the three hexagon screws **21** to tightly screw the drill column to the base plate (see **Fig. D**).
2. Slide the drilling table **12** onto the drill column and fix it in place with the rotary knob for setting the height **9** (see **fig. E**).
3. Place the entire machine head on the drill column (see **fig. F**).
Screw the two grub screws **29** tight to secure the machine head.
4. Insert the foldable chip guard **15** with the screw mounted protective hood **14** on the spindle and screw it in place (see **fig. G**).
5. With a jerk and applying some force, fold the protective hood upwards and place the chuck **13** onto the spindle (see **Fig. H**). The chuck must audibly and noticeably lock into place. Use a rubber mallet for this.
6. Fix the line laser **26** using the screw for the line laser **22** onto the machine head (see **Fig. J**).

7. Screw all three handles **6** into the handle fixture **5** (see **fig. K**).
8. Use 4 screws and washers (not included in the product contents) to secure the base plate on the base. The type and size of the screws differ depending on the base used. If necessary, consult a qualified outlet.



First use

- Check the drill and its protective devices for damages and impairments. Only operate the drill if no damages or impairments can be found.

Operation



Risk of injury!

Accidentally starting the drill may result in severe injury.

- Pull the mains plug out of the socket before you make any adjustments to the drill's settings or change tools.



Risk of injury!

Using unsuitable tools poses a high risk of injury.

- Only use tools (drill bits, countersinks etc.) that are not damaged and suitable for use with the drill in accordance with this user manual.

Preparations

1. Fold the protective hood **14** up.
2. Use the enclosed chuck key **24** to loosen the jaws of the chuck **13**.
3. From below, insert the drill bit/tool vertically in the chuck opening and use the chuck key to tighten the chuck jaws. **Then be absolutely sure to pull out the chuck key.**

The drill bit/tool must be clamped in place in a central position.



- Only use drill bits and tools with a shank diameter of 1.5 to max. 13 millimetres with a cylindrical tool shank or taper shank.

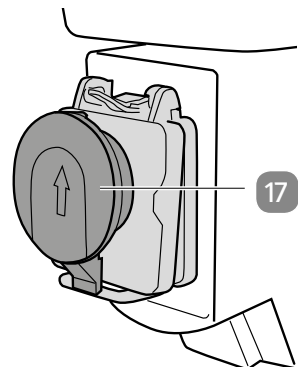
4. Clamp the workpiece in the vice **19** included in the product contents.
5. Place the vice on the drilling table **12**.
6. Use the fixing screws, washers, spring washers and nuts **20** to secure the vice (see chapter “Clamping the workpiece in the vice”).
7. Position the drilling table at the required height (see chapter “Adjusting the drilling table”).
8. Fold the protective hood down again.
9. If applicable, adjust the length of the protective hood (see **Fig. G**) so that it offers optimal protection (see chapter “Setting the height of the protective hood”).
10. Set the speed so that it corresponds to the workpiece and the fitted drill bit/tool (see chapter “Setting the speed”).
11. Unlock the emergency stop switch **17** by pushing it upwards.

The drill is now ready for operation.

Emergency stop switch

The emergency stop switch **17** is a safety fixture. It is not intended to increase convenience of use. Normally, you should always switch the drill off with the red off switch **O 31** (see **Fig. L**).

If you press the emergency stop switch with a small amount of pressure, the spindle will stop in place. The chuck **13** and the fitted tool will stop rotating. After the emergency stop switch has been pushed, it must be manually unlocked. Otherwise, the drill cannot be switched on again.



- Unlock the emergency stop switch by pushing it upwards.
- Only operate the drill again after the risk leading to the activation of the emergency stop switch has been rectified.
- Only switch the drill back on once you are convinced that the drill is in proper working condition.

Setting the speed



Risk of injury!

The rotating drive discs can cause serious injury.

- Never attempt to adjust the speed when the drill is operating.
- Always close the protective hood after making an adjustment.



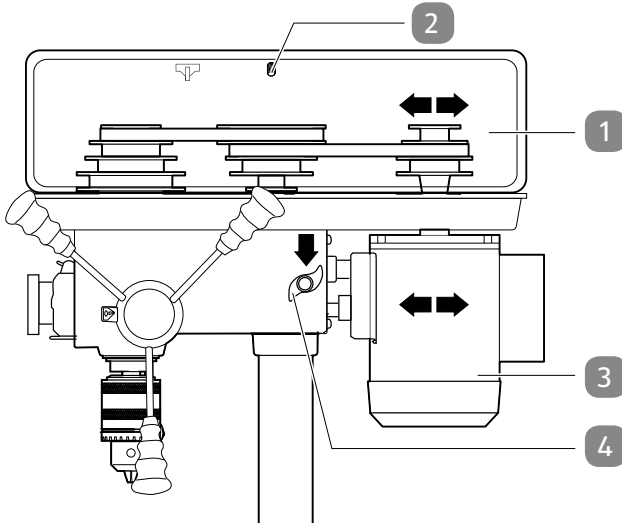
Risk of injury!

The V-belts must be tensioned with a certain amount of force, which poses a risk of catching oneself.

- Wear protective gloves.

The drill can be set to nine different speeds. They are set by changing the position of two V-belts. The V-belts are tensioned between three pairs of drive discs; the middle pair of discs can be pivoted.

1. Switch the drill off (push the red off switch **0 31**) and pull the mains plug out of the socket.



2. Loosen the locking screw **2** of the protective hood **1** by turning it anticlockwise with the hex key **23**.
3. Fold the protective hood up.
4. Loosen the two tensioning screws for the motor **4**.
5. Push the tension lever for the V-belt **25** to the side so that the motor **3** is pushed towards the machine body.
This will release the tension on the V-belts.

The following figure shows the possible positions for the V-belts:

SPINDEL		MOTOR	
1	2	A	B
3	4	C	
① A-4 300	② B-4 480	③ A-3 640	
④ C-4 600	⑤ A-2 790	⑥ B-3 1030	
⑦ C-2 1600	⑧ B-1 1930	⑨ C-1 2410	

Example **A-4** means that the right V-belt is located in position **A** and the left V-belt is located in position **4**. The speed thus amounts to 300 rpm.

6. Set the required speed according to the following table. Please also observe the recommended speeds (see the "Speed table").

Position	Revolutions per minute	Position	Revolutions per minute
A-4	300	B-4	480
A-3	640	C-4	600
A-2	790	B-3	1030
C-2	1600	B-1	1930
C-1	2410		

7. To tension the V-belts, push the tension lever for the V-belt to the other side so that the motor is pushed back again.
8. Tighten the two tensioning screws for the motor **4** again.
9. Check the V-belt tension.
The tension has been set correctly if you can push the middle of the V-belt in approx. 1 cm.
10. Close the protective hood and tighten the locking screw **2** again.



The protective hood is equipped with a safety switch.

If the protective hood is not closed and locked, the drill cannot be switched on.

Speed table

Make sure the speed is correct when drilling. This depends on the drill bit diameter and the workpiece you intend to drill. The following table will help you select the right speed for the different work materials.

The specified speeds (in rpm) are reference values.

Drill ø	Steel	Aluminium	Wood	plastic
1.5	max. speed	max. speed	max. speed	1930
3	1930	max. speed	max. speed	1930
4	1930	max. speed	max. speed	1600
5	1600	max. speed	1930	1030
6	1030	max. speed	1930	1030
7	1030	max. speed	1600	790
8	790	1930	1030	600
9	600	1600	790	480
10	480	1030	640	300
11	480	1030	640	300
12	300	790	480	300
13	300	790	480	300

Setting the height of the protective hood

The protective hood **14** protects you against projectile chips. Before you start drilling, it must be set in such a way that the point where you intend to drill is closed off as much as possible.

The protective hood is not a substitute for wearing suitable protective clothing such as protective goggles.

1. Switch the drill off (push the red off switch **0 31**) and pull the mains plug out of the socket.
2. Loosen the lateral wing screws on the protective hood slightly (see **Fig. G**).
3. Set the height of the bottom part of the protective hood to the correct height and tighten the two lateral wing screws again.

Clamping the workpiece in the vice



Risk of injury!

Improper handling may result in severe injury.

- Never attempt to hold the workpiece with your hands.
 - Always clamp the workpiece in the enclosed vice.
 - If the workpiece cannot be clamped in the vice, it is too large and must not be processed with this drill.
1. Screw the vice **19** into an open position and insert the workpiece.
 2. Clamp the tool in place.
 3. Place the vice on the drilling table **12** (see **Fig. I**).
 4. Use the fixing screws, washers, spring washers and nuts **20** to secure the vice diagonally on the drilling table.
 5. Only hand tighten the nuts so that you are still able to slide the vice with the workpiece clamped in place on the drilling table and to position it precisely. It will also self-centre while drilling.

Adjusting the drilling table

There must always be sufficient space between the top edge of the workpiece and the tip of the drill bit.

- Switch the drill off (push the red off switch **0 31**) and pull the mains plug out of the socket.

Adjusting the height

1. Hold the drilling table **12** in place with one hand.
2. With the other hand, loosen the rotary knob for setting the height **9** which fixes the drilling table on the drill column **7** somewhat.
3. Position the drilling table at the desired height.
4. Tighten the rotary knob again.

Adjusting the incline

The drilling table **12** can be inclined at an angle of no more than 45° to either the left or right. To set the incline you will need a 10 mm hex key (not included in the package contents).

1. Using the 10 mm hex key, loosen the screw for setting the incline **11** (see **Fig. E**).
2. Turn the drilling table to the right or left.

You can determine the set angle with the scale for setting the incline **8**.

For exact adjustment, the drilling table is marked so you can set the exact number of degrees.

3. Tighten the screw for setting the incline again.

Setting the drill depth

You can set the desired drill depth with the scale ring.

1. Switch the drill off (push the red off switch **0** **31**) and pull the mains plug out of the socket.
2. Loosen the clamp screw for setting the drill depth **18** which is used to fix the scale in place.
3. Lower the chuck **13** with the fitted tool onto the workpiece.
4. Turn the scale forward to the stop point until the arrow mark for setting the drilling depth **16** is pointing towards the zero line of the scale.
5. Turn the scale to the desired drill depth. If you would like to drill a hole with a depth of 20 millimetres for example, turn the scale to “20”.
6. Tighten the clamp screw for setting the drill depth again.
7. Move the spindle back to the home position.

Switching on and setting the line laser

1. Open the battery compartment cover **30**, insert the batteries with correct polarity and close the battery compartment cover again.
2. To switch then line laser **26** on, push the On/Off switch for the line laser **28** (see **Fig. C**).

3. To set the two line lasers in such a way that they form a laser cross precisely on the drilling location, lower the drill bit onto the workpiece before start-up.
4. Set the two line lasers with the rotating bezels **27** in such a way that the two line lasers cross on the workpiece, directly on the supporting surface of the drill bit.

You have now pre-set the line laser for the next time you drill.

If you change the workpiece or use a shorter or longer drill bit, the line laser will need to be reset.

Drilling workpieces



Risk of injury!

Improper handling may result in severe injury.

- Before you switch the device on, check whether the chuck key has been removed. The chuck key, if it becomes projectile, may inflict serious injury.
- Keep your hands away from the work area.
- Never attempt to remove drill chips while a drill bit or tool is still rotating. Always switch the drill off first and wait until it comes to a stop.
- Never remove drill chips with your bare hands as they may have very sharp edges and may be hot.
- Never touch the drill bit, the tool or the chuck while it is still rotating.



Risk of injury!

When drilling, projectile chips and rotating parts pose a serious risk of injury.

- Wear suitable protective clothing. In particular, protect your eyes by wearing suitable protective goggles.
- Before working with the device, take off any jewellery (rings, chains etc.).
- If applicable, wear a hair net or cap to prevent your hair from getting caught in rotating parts.



Burn hazard!

The drill bit or fitted tool may be very hot directly after drilling.

- Wear suitable work gloves or wait a moment until the drill bit or fitted tool have cooled off before changing them.



Health hazard!

Some work materials pose a health hazard.

- Do not drill any materials that pose a health hazard, e.g. asbestos.
 1. Follow the steps described in the chapter “Preparations”.
 2. Insert the mains plug in a properly installed socket.
 3. To switch the drill on, push the green ON switch **I** **31**.
 4. To lower the spindle with the chuck **13**, turn the handle fixture **5** on one of the handles **6** anticlockwise to lower. Turn it until the drill bit/tool penetrates the workpiece to the desired depth.
 5. Then guide the handle in the opposite direction up to the stop point and back to the home position.
 6. Switch the drill off by pushing the red off switch **0** **31**.

Tips for best results when drilling

Lubricants

- To prevent the drill from overheating, use lubricants customary for this drill bit. These are available in every DIY store.

Drilling in metal

- Select a low speed for hard metals or large drilling diameters.

Drilling in wood

- Make sure that dust can be extracted properly.
- Wear a dust mask, as dust from wood is harmful to health.
- Drill at a low speed.

Drilling in ceramics/tiles

- Use a suitable drill bit with a centring tip.

Chip breaking

- In many cases, excessively long drill chips can be broken. Whilst drilling, guide the chuck (13) using the fitted drill bit out of the drilling hole so that the drilling chip comes out by itself.

Removing blockages

- You should generally select a suitable feed rate so that chips can be broken down without any disruptions.
- If the tool gets caught in the workpiece, turn off the drill and pull the mains plug out of the socket. Turn the tool fitted in the chuck (13) counterclockwise with a small jerk to break the chips and release the tool again.
- If a piece breaks off when working on the workpiece, switch off the drill and pull the mains plug out of the socket. Use pliers to help remove the fragment to prevent it from being uncontrollably projected.

Cleaning and maintenance



Risk of injury!

Accidentally starting the drill may result in severe injury.

- Pull the mains plug out of the socket before you clean the drill, change tools or perform maintenance.



Burn hazard!

The drill bit or fitted tool may be very hot directly after drilling. Hot, sharp-edged metal chips pose a risk of injury.

- Wear suitable protective gloves or wait a moment until the drill bit/fitted tool has cooled off before removing this parts to clean the drill.

NOTICE!**Risk of damage!**

Improperly cleaning the drill may damage it.

- Do not use any aggressive cleaners, brushes with metal or nylon bristles or sharp or metallic cleaning utensils such as knives, hard scrapers and the like. They could damage the surfaces.
- Never immerse the drill in water or other liquids.
- Make sure that no water or other liquids penetrate the housing.

Cleaning

1. Switch the drill off by pushing the red off switch **0 31** and pull the mains plug out of the socket.
2. Wait a moment until the drill and fitted drill bit or tool have cooled off.
3. Remove the drill bit and the tool.
4. Remove the chips and other parts with a brush or similar.
5. Clean the drill with a damp, soft cloth. You can use a mild soap for dirt that sticks to the device.
6. Let all parts dry completely before using the drill again or putting it into storage.

Maintenance

- Check that the safety-relevant components of the drill are working properly at regular intervals.
- If you replace safety-relevant parts, they must be checked to make sure they work without any problems before the next start-up.
- To avoid possible assembly errors during maintenance, follow all the instructions in the chapter "Assembly".

There are no other parts within the device that need to be maintained.

Greasing

- From time to time, grease the drill column **7** with commercially available acid-free lubricating grease (available in supply stores).

Checking the condition of the grinder

Regularly check the condition of the drill. Among other things, check to make sure:

- that the switches are not damaged,
- that the accessories are in proper condition,
- that the mains cord and the mains plug are not damaged,
- the housing of the motor **3** is free and clean. If necessary, use a soft brush to clean it.

If you identify any damages, you must have them repaired by a specialist workshop to prevent risks.

Storage

1. Clean the drill thoroughly before you put it into storage (see chapter “Cleaning”).
2. If possible, store the clean drill and the accessories in the original packaging.
3. Make sure that the storage room should is not accessible for children and the storage temperature is between 5 and 30 °C.

Transport

- The drill is heavy. If possible, carry it with two people. With one hand, grasp under the base plate **10** and hold the drill column **7** of the drill with the other.
Do not carry the drill by the motor **3 or the machine head.**
- If you transport the drill with a vehicle, you secure it using tension straps to prevent slipping.
- When transporting it over larger distances, disassemble the drill and transport it in the original packaging.

Troubleshooting

Problem	Possible cause	Solution
The drill cannot be switched on.	The mains plug has not been inserted in a socket.	– Connect the mains plug with a properly installed socket.
	The protective hood 1 is not closed and locked in place.	– Make sure that the protective hood is closed properly and locked.
The drill bit / the tool hardly penetrates the workpiece that is clamped in place.	The drill bit / the tool is not suitable and/or is not in good order and condition.	– Use a suitable drill bit / a suitable tool.
	The right speed has not been selected.	– Set the correct speed.

Technical data

Model:	WZ-TB 13 L
Article number:	97015
Operating voltage:	230 V~, 50 Hz
Output:	S1 300 W · S2 500 W
Short operation:	S2 15 minutes; then the drill has to cool off
Protection class:	I
Weight:	16.4 kg
Motor speed:	1450 rpm
Output speed:	300-2410 min ⁻¹
Speeds:	9
Chuck adapter:	B 16
Toothed ring drill chuck:	1.5-13 mm
Max. drill depth:	50 mm
Throat depth:	115 mm
Drill column diameter:	∅ 46 mm
Height:	625 mm
Drilling table (W × H):	182 × 170 mm
Base plate (W × H):	314 × 200 mm

Noise information



Health hazard!

Working without ear protection and suitable protective clothing poses a health hazard.

- Wear ear protection and suitable protective clothing when working with the device.

Measured as per EN ISO 3744. The noise at your workplace may exceed 85 dB(A); protective measures are necessary in this case (wear suitable ear protection).

- Sound pressure level L_{pA} : 88.5 dB(A)
- Sound power level L_{WA} : 101.5 dB(A)
- Uncertainty K: 3 dB(A)

The aforementioned values are noise emission values and therefore, do not necessarily represent safe values for the workplace. The correlation between emission and imission levels cannot reliably provide for a conclusion as to whether additional precautionary measures are necessary or not.

Factors that could affect the respective imission level present at the workplace involve the specification of the work area, the surrounding area, the duration of exposure, other noise sources etc.

You must also observe any divergences in national regulations with respect to permissible workplace levels. The aforementioned information does, however, allow the user to better assess dangers and risks.

The specified noise emission values have been measured on the basis of a standardised test procedure and can be used to compare power tools with one another.

The specified noise emission values can also be used for a provisional assessment of the load.

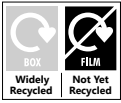
Warning!

While actually using the power tool, the noise emission values may differ from the levels specified depending on how the power tool is used, in particular which type of workpiece is being worked on.

Safety measures to protect the operator must be put in place, which are based on an estimation of the load during actual conditions of use.

Disposal

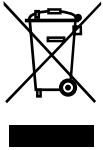
Disposing of the packaging



Dispose of the packaging separated into single type materials. Dispose of paperboard and cardboard with wastepaper and plastics with recyclable waste.

Disposing of the drill

- Dispose of the drill in accordance with the regulations in your country.



Old devices must not be disposed of with household waste!

This symbol indicates that this product must not be disposed of together with domestic waste in compliance with the Directive (2012/19/EU) pertaining to waste electrical and electronic equipment (WEEE). This product must be handed in at a collection point intended for the purpose. This can occur, for example, by handing it in at an authorised collecting point for the recycling of waste electrical and electronic equipment. Owing to potentially hazardous substances that are frequently contained in waste electronic equipment, incorrect handling of waste equipment may have a negative impact on the environment and on the health of human beings. By disposing of this product correctly, you are also contributing towards an efficient use of natural resources. Information on collecting points for waste equipment can be obtained from your municipal authorities, the public law disposal authorities, an authorised institution for the disposal of waste electrical and electronic equipment or the waste collection services.



Batteries and rechargeable batteries do not belong in the household waste!

As the end user you are required by law to bring all batteries and rechargeable batteries, regardless whether they contain harmful substances* or not, to a collection point run by the communal authority or borough or to a retailer, so that they can be disposed of in an environmentally friendly manner.

- Remove the battery from the line laser before disposal.

*labeled with: Cd = cadmium, Hg = mercury, Pb = lead

Declaration of conformity

Einhell Germany AG · Wiesenweg 22 · D-94405 Landau/Isar
EU
Konformitätserklärung

D erklärt folgende Konformität gemäß EU-Richtlinie und Normen für Artikel

GB explains the following conformity according to EU directives and norms for the following product

F déclare la conformité suivante selon la directive CE et les normes concernant l'article

I dichiara la seguente conformità secondo la direttiva UE e le norme per l'articolo

NL verklaart de volgende overeenstemming conform EU richtlijn en normen voor het product

E declara la siguiente conformidad a tenor de la directiva y normas de la UE para el artículo

P declara a seguinte conformidade, de acordo com as diretiva CE e normas para o artigo

DK attesterer følgende overensstemmelse i medfør af EU-direktiv samt standarder for artikel

S förklarar följande överensstämmelse enl. EU-direktiv och standarder för artikeln

FIN vakuuttaa, että tuote täyttää EU-direktiivin ja standardien vaatimukset

EE tõendab toote vastavust EL direktiivile ja standarditele

CZ vydává následující prohlášení o shodě podle směrnice EU a norem pro výrobek

SLO potrjuje sledečo skladnost s smernico EU in standardi za izdelek

SK vydáva nasledujúce prehlásenie o zhode podľa smernice EÚ a noriem pre výrobok

H a cikkekhez az EU-irányvonal és Normák szerint a következő konformitást jelenti ki

PL deklaruje zgodność wymienionego ponizej artykułu z następującymi normami na podstawie dyrektywy WE.

BG декларира съответното съответствие съгласно Директива на ЕС и норми за артикул

LV paskaidro šādu atbilstību ES direktīvai un standartiem arībūšana šī atbilstīgā EU reikalavimams ir prekės normoms

LT deklarą atitiktumą su atitinkama ES reikalavimams ir prekės normoms

RO declară următoarea conformitate conform directivei UE și normelor pentru articolul

GR δηλώνει την ακόλουθη συμμόρφωση σύμφωνα με την Οδηγία ΕΚ και τα πρότυπα για το προϊόν

HR potvrđuje sledeću usklađenost prema smjernicama EU i normama za artikl

BIH potvrđuje sledeću usklađenost prema smjernicama EU i normama za artikl

RS potvrđuje sledeću usklađenost prema smernicama EZ i normama za artikal

RUS следующим удостоверяется, что следующие продукты соответствуют директивам и нормам ЕС

UKR проголошує про зазначену нижче відповідність виробу директивам та стандартам ЄС на виріб

MK ja izjavуva следната сообразност согласно ЕУ-директивата и нормите за артикли

TR Ürünü ile ilgili AB direktifleri ve normları gereğince aşağıda açıklanan uygunluğu belirtir

N erklærer følgende samsvar i henhold til EU-direktivet og standarder for artikkel

IS Lýsir uppfyllingu EU-reglna og annarra staðla vöru

Bench Drill WZ-TB 13 L (WORKZONE)
 2014/29/EU

 2005/32/EC_2009/125/EC

 2014/35/EU

 2006/28/EC

 2014/30/EU

 2014/32/EU

 2014/53/EC

 2014/68/EU

 EU/2016/426

Notified Body:

 EU/2016/425

 2011/65/EU

 2006/42/EC

 Annex IV

 Notified Body:
Reg. No.:

 2000/14/EC_2005/88/EC

 Annex V

 Annex VI

 Noise: measured L_{WA} = dB (A); guaranteed L_{WA} = dB (A)
P = KW; L/Ø = cm
Notified Body:

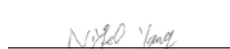
 2012/46/EU

Emission No.:

**Standard references: EN 55014-1; EN 55014-2; EN 61000-3-2; EN 61000-3-3;
EN 60825-1; EN 62841-1; EN 62841-3-13**

Landau/Isar, den 08.06.2018


Weichselgartner/General-Manager


Yang/Product-Management

First CE: 17

Art.-No.: 42.507.38 I.-No.: 11018

Subject to change without notice

 Archive-File/Record: NAPR018934
Documents registrar: Patrick Willnecker
Wiesenweg 22, D-94405 Landau/Isar



Great care has gone into the manufacture of this product and it should therefore provide you with years of good service when used properly. In the event of product failure within its intended use over the course of the first 3 years after date of purchase, we will remedy the problem as quickly as possible once it has been brought to our attention. In the unlikely event of such an occurrence, or if you require any information about the product, please contact us via our helpline support services, details of which are to be found both in this manual and on the product itself.



PRODUCED IN CHINA FOR:

ALDI STORES LTD. PO BOX 26, ATHERSTONE
WARWICKSHIRE, CV9 2SH.

ALDI STORES (IRELAND) LTD.
PO BOX 726, NAAS, CO. KILDARE.
Visit us at www.aldi.com

AFTER SALES SUPPORT

97015



0044 151 649 1500



0044 1890 946 244



www.einhell.co.uk

MODEL:
WZ-TB 13 L

11/2018

3
YEAR
WARRANTY