

GARDENLINE®

Electric Pole Pruner User Guide



After Sales Support

Now you have purchased a Gardenline® product you can rest assured in the knowledge that as well as your 3 year parts and labour guarantee you have the added peace of mind of dedicated helplines and web support.



GARDENLINE[®]

Electric Pole Pruner

Warranty Details

The product is guaranteed to be free from defects in workmanship and parts for a period of 36 months from the date of purchase. Defects that occur within this warranty period, under normal use and care, will be repaired, replaced or refunded at our discretion. There will be no returns accepted with products containing fuel. The benefits conferred by this warranty are in addition to all rights and remedies in respect of the product that the consumer has under the Competition and Consumer Act and similar state and territory laws.

Our goods come with guarantees that cannot be excluded under the Australian Consumer Law. You are entitled to a replacement or refund for a major failure and for compensation for any other reasonably foreseeable loss or damage. You are also entitled to have the goods repaired or replaced if the goods fail to be acceptable quality and the failure does not amount to a major failure.

Please note: No returns to stores will be accepted with products containing fuel.

After Sales Support

Telephone: 1300 922 271
Email: service.australia@einhell.com



AFTER SALES SUPPORT



1300 922 271



service.australia@einhell.com

Contents

08	General Safety Regulations
11	Layout and Items Supplied
12	Intended Use
12	Assembly
13	Operation
13	Working with the Pruner
14	Technical Data
15	Maintenance
15	Cleaning and Storing
16	Notes on Environmental Protection / Disposal
16	Ordering Spare Parts
17	Troubleshooting

What your 3 year warranty means

Congratulations on choosing to buy a Gardenline® product. By doing so you now have the assurance and peace of mind that comes with purchasing a product made by one of Australia's leading suppliers.

All products brought to you by Gardenline® are manufactured to the highest standards of performance and safety, and, as part of our philosophy of customer service and satisfaction, are backed by our comprehensive 3 Year Guarantee.

Please fill in and return the Guarantee Card to the address provided.

We hope you will enjoy using your purchase for many years to come.

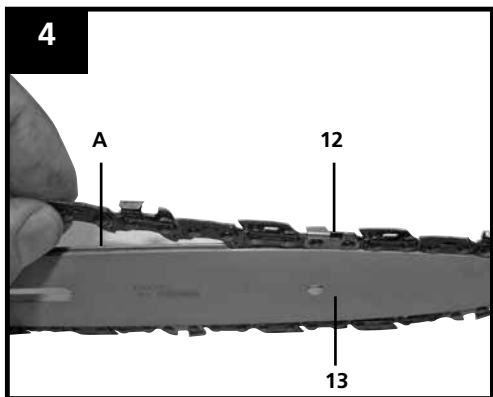
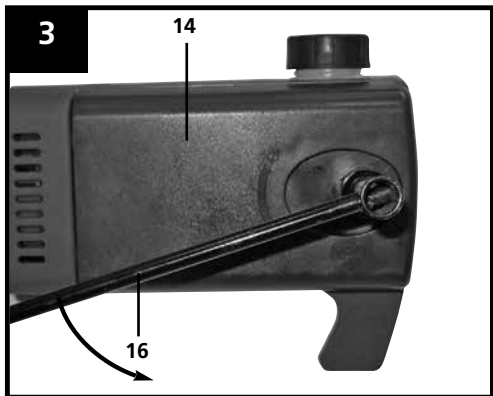
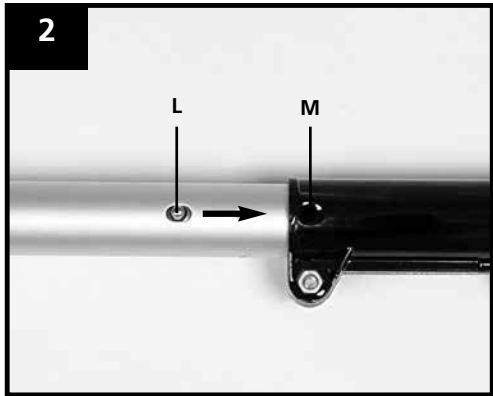
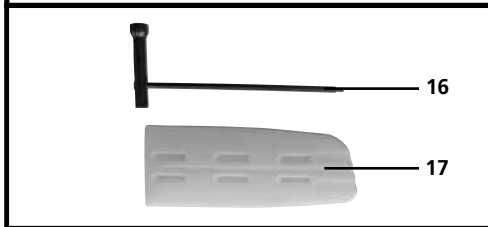
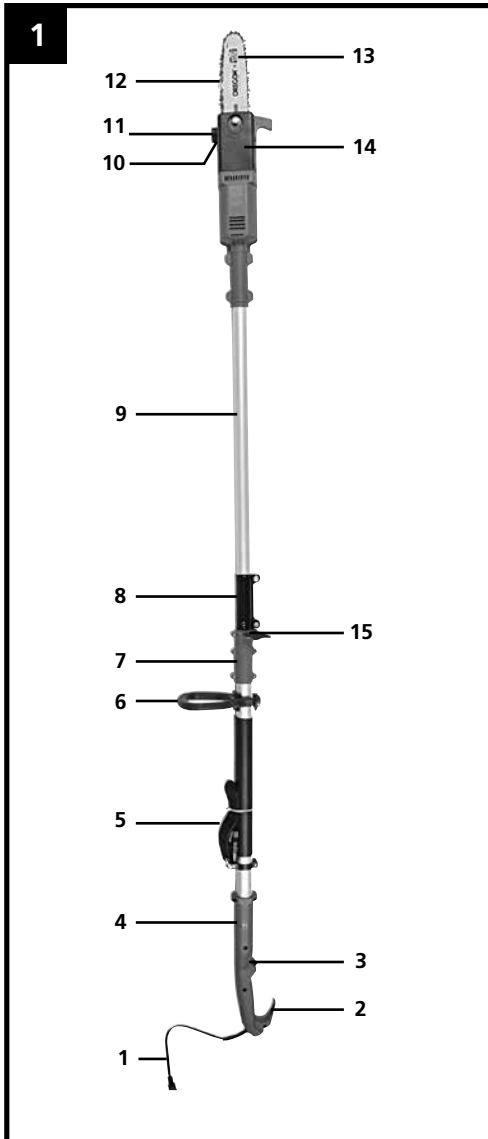
AFTER SALES SUPPORT



1300 922 271



service.australia@einhell.com



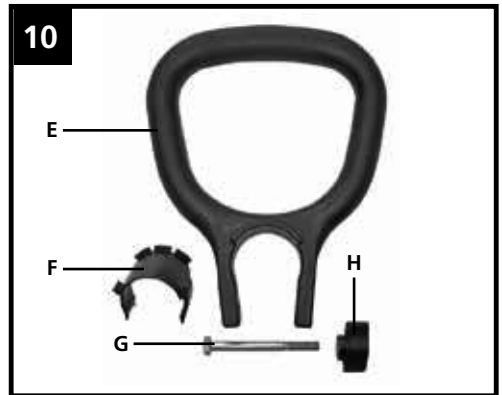
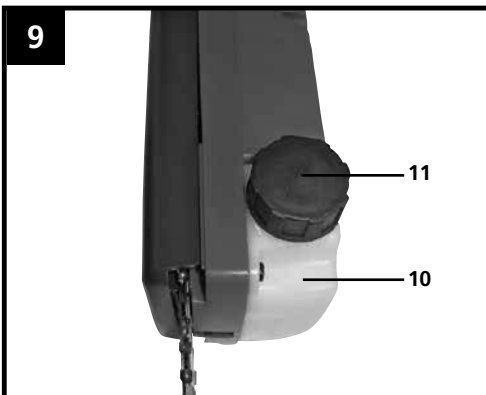
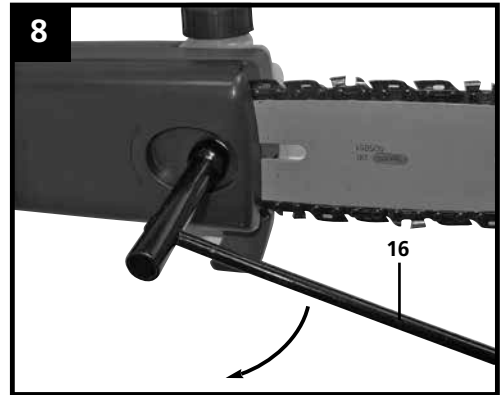
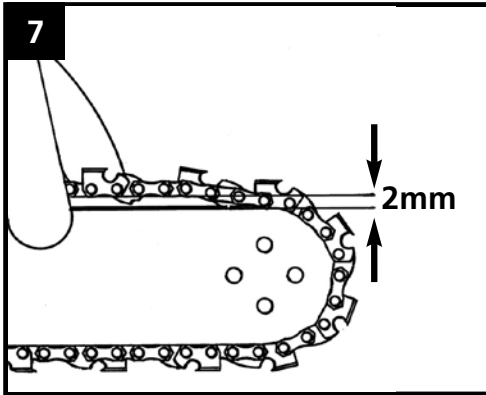
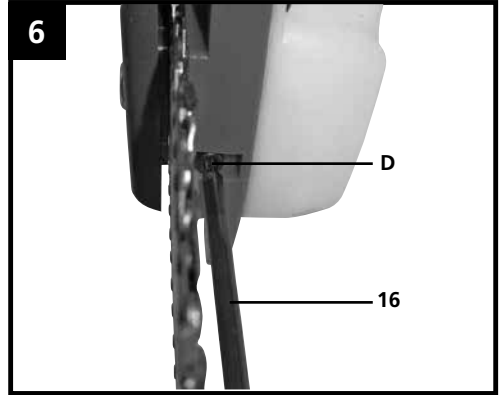
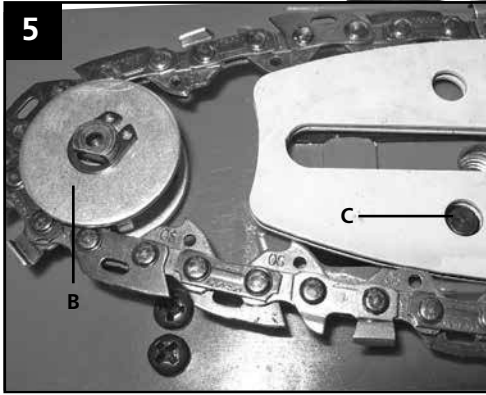
AFTER SALES SUPPORT



1300 922 271



service.australia@einhell.com



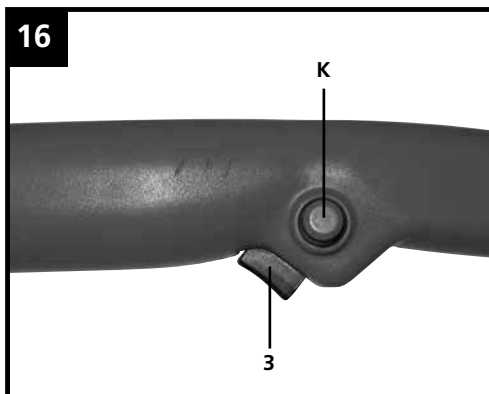
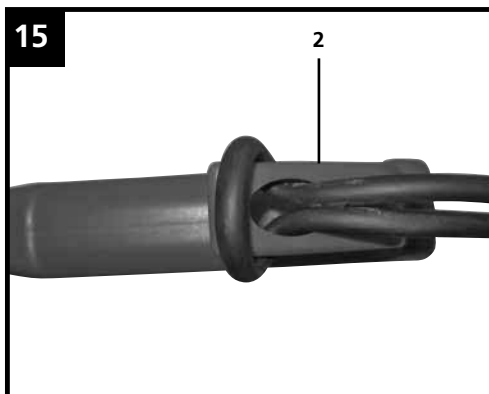
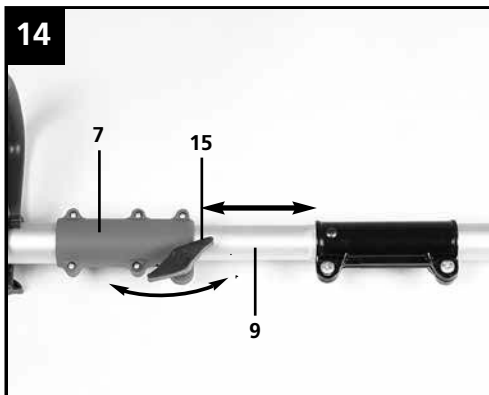
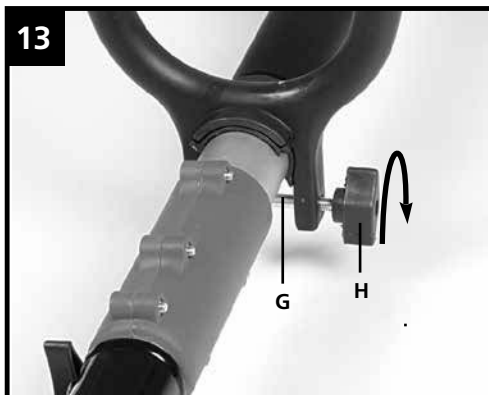
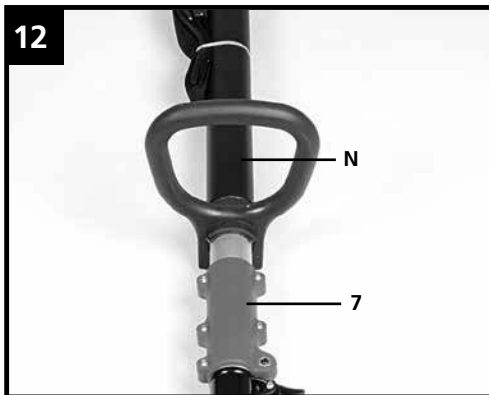
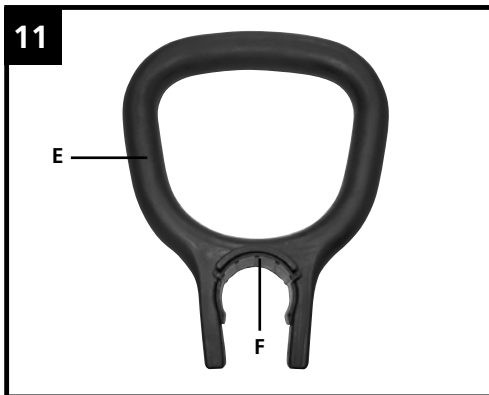
AFTER SALES SUPPORT

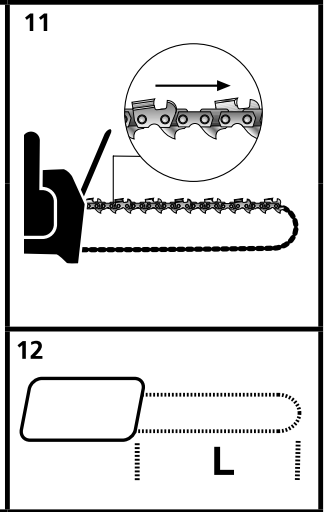
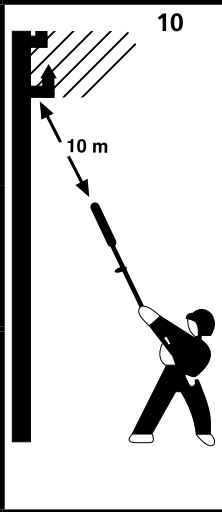
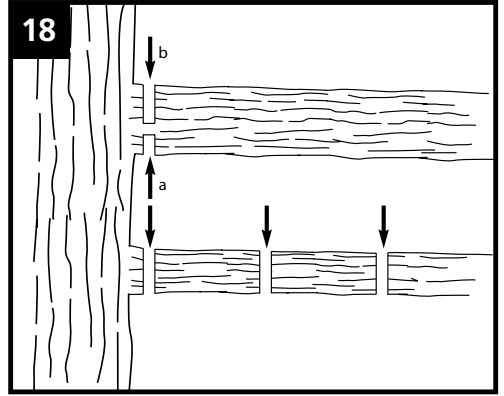
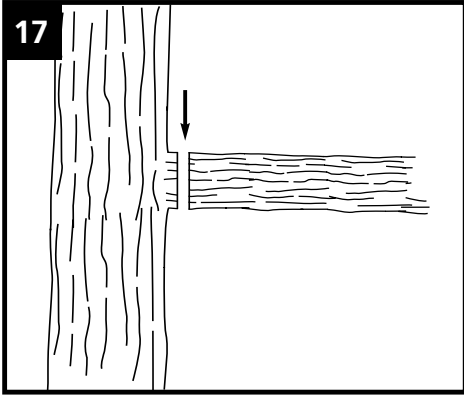


1300 922 271



service.australia@einhell.com





Important!

When using the equipment, a few safety precautions must be observed to avoid injuries and damage. Please read the complete operating instructions and safety regulations with due care. Keep this manual in a safe place so that the information is available at all times. If you give the equipment to any other person, hand over these operating instructions and safety regulations as well. We cannot accept any liability for damage or accidents which arise due to a non-observance of these instructions and the safety instructions.

Packaging:

The equipment is supplied in packaging to prevent it from being damaged in transit. The raw materials in this packaging can be reused or recycled.

When using the equipment, a few safety precautions must be observed to avoid injuries and damage.

- Read the operating instructions carefully and comply with them. It is important to consult these instructions in order to acquaint yourself with the equipment, its proper use and the important safety regulations.
- Keep this manual in a safe place so that the information is available at all times.
- If you give the equipment to any other person, give them these operating instructions as well.

We can accept no liability for damage or accidents which arise due to non-compliance with these instructions.

General Safety Regulations **1**

CAUTION!

Read all safety regulations and instructions.

Any errors made in following the safety regulations and instructions may result in an electric shock, fire and/or serious injury.

Keep all safety regulations and instructions in a safe place for future use.

This equipment is not designed to be used by people (including children) with limited physical, sensory or mental capacities or those with no experience and/or knowledge unless they are supervised by a person who is responsible for their safety or they have received instructions from such a person in how to use the equipment safely. Children must always be supervised in order to ensure that they do not play with the equipment.

Explanation of the symbols on the machine (Fig. 19)

1. Warning!
2. Protect the equipment from rain and damp.
3. Watch out for falling and catapulting parts.
4. Keep your distance.
5. Read the directions for use before operating the equipment.
6. Wear protective headgear, goggles and ear muffs
7. Wear safety gloves.
8. Wear sturdy, non-slip footwear.
9. If the cable is damaged or cut, disconnect the power plug from the mains immediately.
10. Electric shock can cause fatal injury. Keep a distance of at least 10 m from power cables.
11. Direction of the chain movement and teeth.
12. Maximum cutting length.

General safety instructions for electric tools

CAUTION: Read all safety regulations and instructions. Any failures made in following the safety regulations and instructions may result in an electric shock, fire and/or serious injury.

Keep all safety regulations and instructions in a safe place for future use.

The term "electric tool" used in the safety instructions refers to electric tools operated from the mains power supply (with a power cable) and to battery operated electric tools (without a power cable).

1. Workplace safety

- a) **Keep your work area clean and well illuminated.** Untidy or unlit work areas can result in accidents.
- b) **Do not operate the electric tool in an environment where there is a risk of risk of explosions and where there are inflammable liquids, gases or dust.** Electric tools produce sparks which could set the dust or vapours alight.
- c) **Keep the electric tool out of the reach of children and other persons.** If there is a distraction, you may lose control of the appliance.

2. Electrical safety

- a) **The connector plug from this electric tool must fit into the socket. The plug should never be altered in any way. Never use adapter plugs together with earthed electric tools.** Unaltered plugs and correct sockets reduce the risk of an electric shock.
- b) **Avoid bodily contact with earthed surfaces such as pipes, heating, ovens and fridges.** The risk of electric shock is increased if your body is earthed.
- c) **Keep the tool out of the rain and away from moisture.** The ingress of water into an electric tool increases the risk of an electric shock.



- d) **Do not use the cable to carry the electric tool, to hang it up or to pull it out of the socket. Keep the cable away from heat, oil, sharp edges and moving parts of the appliance.** Damaged or entangled cables increase the risk of an electric shock.
- e) **If you are working outdoors with an electric tool, only use Electric cables which are designed specifically for this purpose.** Using specially designed outdoor Electric cables, the risk of electric shock is reduced.
- f) **If operation of the electric tool in a damp environment can not be avoided, use a earth leakage circuit-breaker.** The earth-leakage circuit-breaker reduces the risk of an electric shock.

3. Safety of persons

- a) **Be careful, watch what you are doing and use an electric tool sensibly. Do not use the tool if you are tired or under the influence of drugs, alcohol or medication.**
A moment of inattention when using the electric tool can result in serious injuries.
- b) **Wear personal protection equipment and always wear safety goggles.** Wearing personal protection (such as dust masks, non-slip safety shoes, safety helmet or ear protection, depending upon the type and use of the electric tool) reduces the risk of injury.
- c) **Make sure that the appliance cannot start up accidentally. Ensure that the electric tool is switched off before you connect it to the power supply and/or insert the battery, or pick up or carry the tool.** If your finger is on the switch whilst carrying the electric tool or if you connect the appliance to the mains when it is switched on, this can lead to accidents.
- d) **Remove keys and wrenches before switching on the electric tool.** A tool or key which comes into contact with rotating parts of the appliance can lead to injuries.
- e) **Avoid abnormal working postures. Make sure you stand squarely and keep your balance at all times.** In this way, you can control the electric tool better in unexpected circumstances.
- f) **Wear suitable work clothes. Do not wear loose clothing or jewellery. Keep hair, clothes and gloves away from moving parts. Loose clothing, jewellery or long hair can get trapped in moving parts.**
- g) **If vacuuming devices and draining devices can be fitted, make sure that these are correctly attached and correctly used.** The use of a dust extraction system can reduce the danger posed by dust.

4. Usage and treatment of the electric tool

- a) **Do not overload the appliance. Use the correct tool for your work.** You will be able to work better and more safely within the given performance boundaries.
- b) **Do not use an electric tool with a defective switch.** An electric tool that cannot be switched on or off is dangerous and must be repaired.
- c) **Pull the plug out of the socket and/or remove the battery before making any adjustments to the appliance, changing accessories or put the appliance down.** This safety measure prevents starting the electric tool unintentionally.
- d) **Keep unused electric tools out of the reach of children. Do not allow people who are not familiar with the appliance or who have not read these instructions to use the appliance.** Electric tools are dangerous if they are used by inexperienced people.
- e) **Clean your electric tool carefully. Check whether moving parts are functioning properly and not jamming, whether parts are broken or damaged enough that the functioning of this electric tool is affected. Have damaged parts repaired before using the appliance.** Many accidents are caused by badly maintained electric tools.
- f) **Keep your cutting tools sharp and clean.** Carefully maintained cutting tools with sharp cutting edges will jam less and are easier to control.
- g) **Make sure to use electric tools, accessories, attachments, etc. in accordance with these instructions. Take the conditions in your work area and the job in hand into account.**
Using electric tools for any purpose other than the one for which they are intended can lead to dangerous situations.

5. Service

- a) **Have your electric tool repaired only by trained personnel using only genuine spare parts.** This will ensure that your electric tool remains safe to use.

6. Recommendation

We recommend that the tool always be supplied via residual current device with a rated residual current of 30 mA or less.

Special safety instructions for pruners

- **Always disconnect the mains plug before performing any maintenance work, when the pruner is not in use and before changing any tools.**
- **When the pruner is running make sure that you keep all parts of your body away**



from the pruner. Before starting up the pruner make sure that it is not touching anything. When you are working with a pruner, a single moment of carelessness is all it takes to catch up clothing or parts of your body in the pruner.

- **Do not use the pruner while up a tree unless you are specially trained to do this.** Otherwise you risk injuring yourself if you use the pruner inappropriately whilst up a tree.
- **When cutting through a branch which is under tension, take into account how it will spring back once the cut has been made.** Once the tension in the wood fibers is released the cut branch could hit the operator and/or seize control of the pruner.
- **Carry the pruner with the chain stationary and the guide rail facing backwards. Always it the protective cover when transporting the pruner or putting it into storage.** Careful handling of the pruner reduces the likelihood of accidental contact with the saw chain while it is running.
- **Follow the instructions for lubrication, chain tension and replacement of accessories.** A chain which is not properly tensioned or lubricated can break or increase the risk of kickback.
- **Keep the handles dry, clean and free from oil and grease.** Greasy or oily handles are slippery and will result in loss of control.
- **Only use the pruner to cut wood. The chain must only be used to perform the work for which it is intended. For example: Never use the pruner to cut plastic or brickwork, or building materials which are not made of wood.** Use of the pruner for non-intended or non-approved work can create dangerous situations.
- **Hold the saw firmly with both hands, with fingers and thumbs hooked around the handles. Steady yourself with your body and arms in a position in which you can control the kickback forces.** Provided appropriate measures are taken, an operator should be capable of controlling the kickback forces. Never let go of the chain saw.
- **Avoid abnormal working postures. Never cut above shoulder height.** This prevents accidental contact with the tip of the rail and offers better control over the pruner in unexpected situations.
- **Always use the correct replacement rails and saw chains recommended by the manufacturer.** The use of incorrect replacement rails or saw chains may result in breakage of the chain or kickback.
- **Follow the manufacturer's instructions for sharpening and maintaining the saw chain.** The risk of kickback is increased if the depth limiter is set too low.
- Take special care when cutting undergrowth and young trees. The thin material can become caught in the saw chain and whip back towards you or make you lose your balance.
- Do not cut into the ground, metal fences or similar unsuitable items and materials.
- We recommend that people who are using a pruner for the first time should arrange for a well-versed person to instruct them on how to work with a pruner and the safety equipment, for example in the form of practical exercises (cutting wood on a sawing trestle, etc.).
- Keep your working area free of obstacles and ensure that you have adequate freedom of movement. Do not work in constricted areas in which you could continuously get too close to the operating saw chain.
- Keep your working area tidy and free of off-cuts and other obstacles over which you could stumble.
- Ensure that you maintain a steady foothold. Only use the pruner on flat surfaces where you have a firm footing. Never work on ladders or on slippery surfaces on which you could lose your balance or otherwise lose control of the pruner.
- Saw small round timber only on a sawing trestle in order to secure it from rolling away.
- Before you start felling branches: Make sure that there is nobody within a range of at least two and a half times the length of the branch.
- Take the weather conditions into account when felling trees. Do not fell trees in strong or gusting wind. Do not fell trees in frost conditions or on frozen, icy ground. Do not fell trees in rain or if visibility is poor.
- Comply with local regulations.
- Always hold the pruner with your right hand on the rear handle and your left hand on the front handle. Holding the pruner with your hands in the wrong positions increases the risk of injury and must therefore be avoided.
- Wear safety goggles and ear protection. Other safety equipment for the head, hands, legs and feet is recommended. Correct safety equipment reduces the risk of injury caused by catapulted foreign bodies or in the event of accidental contact with the pruner.
- Always maintain a steady standing position and only work with the pruner if you are standing on a solid, safe and flat surface. Slippery or unsafe surfaces such as ladders can cause you to lose your balance or control over the pruner.
- Plan an escape route from falling trees or branches in advance. Make sure that this escape route is free of obstacles which could restrict or prevent free movement. Keep in mind that freshly cut grass or bark is slippery.
- Ensure that somebody is in the vicinity (but at a safe distance) in case of an accident.



- When the chain is moving, do not let the tip of the chain bar come into contact with any objects.
- Start sawing only after the chain has reached full speed.
- Never try to target a previous cut. Always start a new cut.
- Watch out for moving branches or other forces which could interfere with a cut and impact with the chain.
- Never try to cut a branch with a larger diameter than the cutting length of the equipment.
- Contact your local government offices for information regarding minimum age requirements for operating the equipment.
- Keep the equipment at a minimum distance from overhead power cables.

Causes of and ways to avoid recoil

Recoil can occur if the tip of the chain bar touches an item or if the wood bends and jams the saw chain in the cut.

In many cases contact with the bar tip can result in an unexpected reaction aimed backwards in which the chain bar is catapulted upwards towards the operator.

Jamming the saw chain on the top of the chain bar can catapult the bar towards the operator at high speed.

Any of these reactions can result in you losing control over the saw and possibly suffering serious injuries. You should therefore not rely totally on the safety equipment fitted to the pruner. When using a pruner you should take various precautions to enable you to work without suffering accidents or injuries.

Recoil is the result of incorrect or inappropriate use of the electric tool. It can be prevented by suitable precautions, as described below.

- **Hold the saw firmly with both hands, with fingers and thumbs gripped around the handles. Steady yourself with your body and arms in a position in which you can control the kickback forces.** Provided appropriate measures are taken, an operator should be capable of controlling the kickback forces. Never let go of the pruner.
- **Avoid abnormal working postures.** This prevents accidental contact with the tip of the rail and offers better control over the pruner in unexpected situations.
- **Always use the correct replacement rails and saw chains recommended by the manufacturer.** The use of incorrect replacement rails or saw chains may result in breakage of the chain and/or kickback.
- **Follow the manufacturer's instructions**

for sharpening and maintaining the saw chain. The risk of kickback is increased if the depth limiter is set too low.

Further important information:

- Use a residual current device circuit-breaker with maximum of 30 mA release current.
- Lay the power cable so that it will not come into contact with branches or similar objects.

Residual risks

Even if you use this electric power tool in accordance to instructions, certain residual risks cannot be eliminated. The following hazards may arise in connection with the equipment's construction and layout:

- Cut injuries if no safety clothing is used.
- Lung damage if no suitable protective dust mask is applied.
- Damage to hearing if no suitable ear protection is applied.
- Health damage caused by hand-arm vibrations if the equipment is used over a longer period or is not properly guided and maintained.

Warning! The electric power tool generates an electromagnetic field during operation. Under certain circumstances this field may actively or passively impede medical implants. To reduce the risk of serious or fatal injuries, we recommend persons with medical implants to consult their doctor and the manufacturer of the medical implant prior to using the equipment.

Do not lose these safety instructions

Layout and Items Supplied

2

1. Power cable
2. Cable strain-relief clamp
3. ON/OFF switch
4. Handle
5. Carrying belt
6. Additional handle
7. Telescopic tube mount
8. Connecting piece
9. Top telescopic tube
10. Oil tank
11. Oil tank cover
12. Saw chain
13. Cutter rail
14. Chain wheel cover
15. Thumb screw
16. Multifunction Accessory
17. Blade cover

AFTER SALES SUPPORT



1300 922 271



service.australia@einhell.com

Intended Use

3

The pruner with telescopic handle is designed for lopping off tree branches. The equipment is not suitable for extensive sawing work, felling trees or sawing any materials other than wood.

The machine is to be used only for its prescribed purpose. Any other use is deemed to be a case of misuse. The user / operator and not the manufacturer will be liable for any damage or injuries of any kind caused as a result of this.

Please note that our equipment has not been designed for use in commercial, trade or industrial applications. Our warranty will be voided if the equipment is used in commercial, trade or industrial businesses or for equivalent purposes.

Assembly

4

Important! Do not connect the pruner to the power supply until it has been fully assembled and the chain tension has been adjusted. Always wear protective gloves when working on the pruner to protect yourself against injury. Carefully unpack all parts and check that they are complete (Figs. 1 and 10).

4.1 Assembling the telescopic handle

Slide the top telescopic tube (Fig. 1/Item 9) into the connecting piece (Fig. 1/Item 8). Ensure that the spring-loaded bolt (Fig. 2/Item L) latches into the relevant hole (Fig. 2/Item M) in the connecting piece.

4.2 Assembly of the cutter rail and the saw chain

- Undo the fixing screw of the chain wheel cover (Fig. 3/Item 14) using the provided multifunction accessory (Fig. 2/Item 16).
- Take off the chain wheel cover (Fig. 3/Item 14).
- As shown in Fig. 4, lay the saw chain (12) in the groove (A) which runs around the cutter rail (13).
- Insert the cutter rail and chain as shown in Fig. 5. At the same time guide the chain around the chain wheel (Fig. 5/Item B) and hook the cutter rail into the chain tensioning bolt (Fig. 5/Item C).
- Attach the chain wheel cover (Fig. 3/Item 14) and fasten it by hand with the fixing screw.

Important! Do not fully tighten the fixing screw until after adjusting the chain tension (refer to point 4.3).

4.3 Tensioning the saw chain

Important! Always disconnect the mains plug before performing any checks or adjustments. Always wear protective gloves when working on the pruner to protect yourself against injury.

- Undo the fixing screw of the chain wheel cover (Fig. 3/Item 14) a few turns using the multifunction accessory (Fig. 3/Item 16).
- Adjust the chain tension with the chain tensioning screw (Fig. 6/Item D) using the multifunction accessory (Fig. 6/Item 16). Turning the screw clockwise increases the tension, turning it counter-clockwise decreases the chain tension. The saw chain is correctly tensioned if it can be lifted around 2 mm in the middle of the cutter rail (Fig. 7).
- Tighten the fixing screw of the chain wheel cover using the multifunction accessory (Fig. 8/Item 16).

Important! All of the chain links must lie properly in the guide groove of the cutter rail.

Notes on tensioning the chain:

The saw chain must be properly tensioned to ensure safe operation. You can tell that the chain tension is perfect if the saw chain can be lifted by around 2 mm in the middle of the cutter rail. As the saw chain heats up during cutting and thus changes in length, check the chain tension no less than every 10 minutes and adjust it again as required. This applies in particular to new saw chains. When you have finished working slacken the chain again, as the chain will shorten when it cools down. This will prevent the chain from being damaged.

4.4 Saw chain lubrication

Important! Always disconnect the mains plug before performing any checks or adjustments. Always wear protective gloves when working on the pruner to protect yourself against injury.

Important! Never operate the chain if it is not lubricated with **saw chain** oil. Use of the pruner without saw chain oil or if the oil level is below the "min" mark will damage the pruner. **Note:** Ensure you use **saw chain** oil, not engine oil.

Important! Be aware of the temperature conditions: different lubricants with completely different viscosities are required at different ambient temperatures. At lower temperatures you will need low viscosity oils in order to achieve a sufficient lubricating film. However, if the same low viscosity oil is used during the summer it will become even thinner due to the ambient temperatures alone, and as a result the lubricating film could break down, causing the chain to overheat and become damaged. In addition, the chain oil would burn and produce unnecessary pollutants.

Filling the oil tank (Fig. 9)

- Place the pruner on a flat surface.
- Clean the area around the oil tank cover (11) and

AFTER SALES SUPPORT



1300 922 271



service.australia@einhell.com

- then clean the oil tank cover.
- Fill the tank (10) with saw chain oil. In the process, make sure that no dirt enters the tank, as this could cause the oil nozzle to become blocked.
- Close the oil tank cover (11).

4.5 Mounting the additional handle

As shown in Fig. 10, the additional handle (Fig. 1/Item 6) consists of the handle (E), the adapter sleeve (F), the hexagon screw (G) and the wing nut (H).

1. As shown in Fig. 11, push the adapter sleeve (F) into the handle (E).
2. As shown in Fig. 12, push the pre-assembled handle onto the tube between the telescopic tube mount (7) and the tube cover (N).
3. As shown in Fig. 13, push the hexagon screw (G) into the handle, adjust it as shown in Fig. 1 and use the wing nut (H) to securely fasten the handle.

Operation

5

5.1 Using the carrying belt (Fig. 1/Item 5)

Important! Always use the carrying belt when working with the equipment. Switch off the equipment before you take off the carrying belt (risk of injury).

1. Slip the carrying belt over your shoulder.
2. Adjust the length of the carrying belt so that the strap attachment is at waist level.

5.2 Setting the telescopic handle (Fig. 14)

1. Open the thumb screw (15) on the telescopic tube mount (7).
2. Pull out the top telescopic tube (9) until it reaches the required working height.
3. Tighten the thumb screw (15) again.

5.3 Setting the additional handle

Undo the wing nut (Fig. 3/Item H) and slide the additional handle until it reaches the required position. Retighten the wing nut.

5.4 Connecting to the mains supply

- Connect the power cable (Fig. 1/Item 1) to a suitable Electric cable. Make sure that the Electric cable is designed for the power rating of the pruner.
- Secure the Electric cable as shown in Fig. 15/Item 2 to protect it against pulling forces and accidental disconnection.
- Connect the Electric cable to a professionally installed safety mains outlet with ground contact. We recommend using an extension cable with a bright and highly visible color, e.g. red or yellow. This will reduce the risk of accidentally damaging it with the pruner.

5.5 On/Off switch

Switching on

- Hold the pruner by the handles with both hands (thumbs under the additional handle).
- Press and hold the safety lock-off (Fig. 16/Item K).
- To switch on the pruner, activate the ON/OFF switch (Fig. 16/Item 3). You can then release the safety lock-off.

Switching off

Release the ON/OFF switch (Fig. 16/Item 3). Always disconnect the mains plug when you stop working, even if it is only for a short time.

Working with the pruner

6

Preparations

To ensure that you can work safely, check the following points before every use:

Condition of the pruner

Inspect the pruner before the start of work for damage to the housing, the power cable, the saw chain and the cutter rail. Never use a pruner which is obviously damaged.

Oil container

Fill level of the oil container (Section 4.4). Even while working, keep checking that sufficient oil is in the system. To avoid damaging the pruner, never run the saw if there is no oil in the system or if the oil drops below the "min" mark. On average, a single filling will last around 10 minutes depending on the number of pauses in cutting and the loads involved.

Saw chain

Tension of the saw chain, condition of the cutting elements. The sharper the pruner, the easier and more controllable it is to operate the pruner. Refer to section 8.3 for more information on sharpening the saw chain. The same also applies to the chain tension. Also while working you should check the chain tension no less than every 10 minutes in order to increase your safety. New saw chains in particular often tend to expand more.

Safety clothing

Always wear appropriate tight-fitting safety clothing like special trousers which protect against cuts, protective gloves and safety shoes.

Hearing protection and protective goggles

Wear a protective helmet with integral face and hearing protection. This will offer protection against falling branches and any branches if they spring back.



Safe working

- To ensure that you can work in safety you must use the equipment at a working angle of max. 60°.
- Never stand under the branch you want to saw.
- Use special caution when working with branches under tension and splintered wood.
- Possible risk of injury caused by falling branches and catapulting pieces of wood.
- When the equipment is in operation keep other persons and animals away from the danger zone.
- The equipment is not protected from electric shock through contact with high-voltage cables. Keep a minimum distance of 10 m from live cables. Electric shock can cause fatal injury.
- When working on slopes always stand to the upper or left or right side of the branch you wish to cut.
- Hold the equipment as close as possible to your body. This will help you to keep your balance.

Cutting techniques

- When removing branches, hold the equipment at an angle of max. 60° to the horizontal to avoid being hit by a falling branch.
- Start with the bottom branches on the tree. This will make it easier for the cut branches to drop.
- After completing a cut, the weight of the pruner will abruptly increase for the operator as the pruner is no longer supported by the branch. This can result in you losing control over the pruner.
- Remove the pruner from the cut only with the saw chain still running. This will prevent the pruner from getting jammed.
- Never cut with the tip of the pruner.
- Never cut into the bulging branch collar. This will prevent the tree from healing.

Sawing off smaller branches (Fig. 17)

Place the contact surface of the saw onto the branch. This will prevent the pruner from making jerky movements when you begin a cut. Exerting slight pressure, guide the pruner from the top to the bottom through the branch.

Sawing off larger and longer branches (Fig. 18)

Carry out a relief cut when working on larger branches.

Start by sawing through 1/3 of the branch diameter (a) from the bottom to the top with the top side of the cutter rail. Then saw towards the first cut (b) from the top to the bottom with the bottom side of the cutter rail.

Saw off longer branches in several steps to keep control over the impact location.

Kick-back!

The term "kickback" describes what happens when the running pruner suddenly kicks upward and backward. Usually, this is caused by contact between

the tip of the cutter rail and the workpiece or the saw chain becoming trapped.

In the event of kickback, large forces occur suddenly and violently. As a result, the pruner usually reacts uncontrollably. This can often result in very serious injuries to the worker or persons in the vicinity. The risk of kickback is at its greatest when the pruner is positioned for a cut in the region of the tip of the cutter rail, as the leverage effect is greatest there. It is therefore safest to position the pruner as flat as possible.

Important!

- Make sure that the chain tension is always correctly adjusted (Section 4.3).
- Only use a pruner if it is in perfect working order.
- Only work with a saw chain that has been properly sharpened in accordance with the instructions (Section 8.3).
- Never cut with the upper edge or the tip of the cutter rail.
- Always hold the pruner firmly with both hands.

Cutting wood which is under tension

Special care is required when cutting wood which is under tension. Wood which is under tension from which it is released by cutting may in some cases react completely unpredictably and uncontrollably. In the worst case this could result in extremely severe or even fatal injuries. This type of work must only be performed by persons who have been specially trained.

Technical Data

7

Mains voltage:	240 V~50 Hz
Power rating:	600 W
Cutter rail length:	200 mm
Cutting length, max:	180 mm
Cutting speed at rated rpm:	13 m/s
Oil tank capacity:	110 ml
Weight with cutter rail and chain:	4.6 kg
Chain:	Oregon 90JG033X, 91P033X
Cutter rail:	Oregon 080NATAA041, 080NDEA041, 084LNEA041
Protection class:	II /

AFTER SALES SUPPORT



1300 922 271



service.australia@einhell.com

Sound and vibration

Sound and vibration values were measured in accordance with EN 60745.

L_{PA} sound pressure level	83 dB(A)
K_{PA} uncertainty	1 dB
L_{WA} sound power level	103 dB(A)
K_{WA} uncertainty	3 dB

Wear ear-muffs.

The impact of noise can cause damage to hearing.

Total vibration values (vector sum of three directions) determined in accordance with EN 60745.

Handle under load

Vibration emission value $a_h = 3.47 \text{ m/s}^2$
K uncertainty = 1.5 m/s^2

Warning!

The specified vibration value was established in accordance with a standardised testing method. It may change according to how the electric equipment is used and may exceed the specified value in exceptional circumstances.

The specified vibration value can be used to compare the equipment with other electric power tools.

The specified vibration value can be used for initial assessment of a harmful effect.

Reduce noise generation and vibration to a minimum!

- Use only equipment that is in perfect condition.
- Maintain and clean the equipment regularly.
- Adopt your way of working to the equipment.
- Do not overload the equipment.
- Have the equipment checked if necessary.
- Switch off the equipment when not in use.
- Wear gloves.

Maintenance

8

Important! Always disconnect the mains plug before performing any checks or adjustments. Always wear protective gloves when working on the pruner to protect yourself against injury.

8.1 Replacing the saw chain and cutter rail

The cutter rail needs to be replaced if the guide groove of the cutter rail is worn. Proceed as described in Section 4.2.

8.2 Checking the automatic chain lubrication

You should check the operation of the automatic chain lubrication system on a regular basis in order to guard against overheating and the associated damage to the cutter rail and the saw chain.

Important! Do not actually touch the surface with the tip of the cutter rail when performing the following test. Keep a safe distance (approx. 20 cm).

To check the automatic chain lubrication, point the tip of the cutter rail towards a smooth surface (board, section of a cut tree) and allow the pruner to run. If an increasing oil trace becomes evident during this process then the automatic chain lubrication system is working properly. If no clear oil trace is evident then please refer to the corresponding instructions in "Troubleshooting". If the information contained there still fails to remedy the situation then please contact our After Sales Support on 1300 922 271 or another similarly qualified workshop.

8.3 Sharpening the saw chain

Effective working with the pruner is only possible if the saw chain is in good condition and sharp. This also reduces the risk of kickback. The saw chain can be re-sharpened by any dealer. Do not attempt to sharpen the saw chain yourself unless you have the necessary special tools and experience. The file needs to be 4.8mm if the chain is new or the chain tooth is used up not more than 50%. If the chain tooth is used up more than 50% you need a 4.5mm file.

8.4 Power Cable

If the power cable for this equipment is damaged, it must be replaced by the manufacturer or its aftersales service or similarly trained personnel to avoid danger.

Cleaning and Storing

9

Important!

- Always disconnect the mains plug before cleaning the pruner.
- Never immerse the unit in water or other liquids in order to clean it.
- Store the pruner in a safe and dry place out of the reach of children.
- Always wear protective gloves when working on the pruner to protect yourself against injury.
- Regularly clean the clamping mechanism by blowing it out with compressed air or cleaning it with a brush. Do not use tools for cleaning.

AFTER SALES SUPPORT



1300 922 271



service.australia@einhell.com

- Keep the handles free of grease so that you can maintain a firm grip.
- Clean the equipment as required with a damp cloth and, if necessary, mild washing up liquid.
- If the pruner is not to be used for an extended period of time then you should remove the chain oil from the tank. Briefly immerse the saw chain and the cutter rail in an oil bath and then wrap them in oil paper.

Notes on Environmental Protection / Disposal **10**

The equipment must be properly disposed of when it reaches the end of its service life. Cut off the power cable to prevent it being used by mistake. The equipment must not be disposed of as domestic waste. Instead, in the interests of the environment it should be disposed of via a designated recycling or disposal point for electrical equipment. Please contact your local authorities for information about proper disposal of the equipment in your area. Packaging materials and worn accessory parts should also be disposed of at the designated recycling or disposal points.

Ordering Spare Parts **11**

Please call our After Sales Support on 1300 922 271 and quote the following data when ordering spare parts:

- Model/type of the equipment
- Article number of the equipment
- ID number of the equipment
- Part number of the required spare part



Caution!

Before troubleshooting, switch off the equipment and disconnect the mains plug.

The table below contains a list of fault symptoms and explains what you can do to remedy the problem if your equipment fails to work properly. If the problem still persists after working through the list then please contact our After Sales Support on 1300 922 271.

Cause	Fault	Remedy
Pruner does not work at all	No power supply Defective mains outlet Power extension cable damaged Defective fuse	Check the power supply Try an alternative source of electrical power, replace if necessary Check the cable and replace as required Replace the fuse
Pruner operates intermittently	Power cable damaged Loose connection (external) Loose connection (internal) ON/OFF switch defective	Call our After Sales Support on 1300 922 271.
Saw chain dry	No oil in the tank Oil tank cap breather blocked Oil outlet blocked	Fill up with oil (Section 4.4, p. 12) Clean the oil tank cap (Section 4.4, p. 12) Clear the oil outlet (Section 4.4, p. 12)
Chain/guide rail hot	No oil in the tank Oil tank cap breather blocked Oil outlet blocked Blunt chain	Fill up with oil (Section 4.4, p. 12) Clean the oil tank cap (Section 4.4, p. 12) Clear the oil outlet (Section 4.4, p. 12) Re-sharpen or replace the chain (Section 8.3, p. 15 or call 1300 922 271)
Pruner juddering, vibrating or not sawing properly	Chain tension too loose Blunt chain Worn chain Saw teeth pointing in the wrong direction	Adjust the chain tension (Section 4.3, p. 12) Re-sharpen or replace the chain (Section 8.3, p. 15 or call 1300 922 271) Replace the chain, call 1300 922 271 Reinstall the saw chain with the teeth facing in the correct direction, (Section 4.2, p. 12)

GARDENLINE® is a registered trademark of ALDI Stores.

ALDI Guarantee

Specially made for ALDI Stores to our stringent quality specifications. If you are not entirely satisfied with this product, please return it to your nearest ALDI store, within 60 days from the date of purchase, for a full refund or replacement, or take advantage of our after sales support by calling the Customer Service Hotline.

ALDI STORES
1 SARGENTS ROAD
MINCHINBURY NSW 2770
AUSTRALIA
www.aldi.com.au



AFTER SALES SUPPORT



1300 922 271



service.australia@einhell.com

AFTER SALES SUPPORT



1300 922 271



service.australia@einhell.com

11/2012

Art.Nr: 45.015.95_11022

AFTER SALES SUPPORT



1300 922 271



service.australia@einhell.com

20

MODEL NUMBER: BG-EC 620T, 11/12