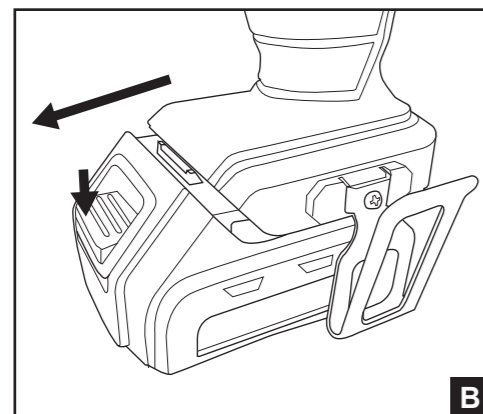
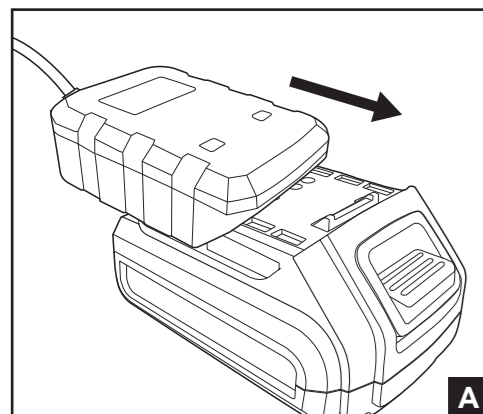
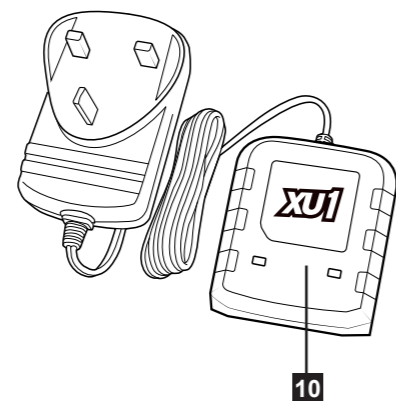


- |                            |                              |                      |
|----------------------------|------------------------------|----------------------|
| 1 10mm Keyless Chuck       | 5 Forward / Reverse Selector | 9 18V Li-Ion Battery |
| 2 Torque Adjustment Collar | 6 Variable Speed Trigger     | 10 Charging Adaptor  |
| 3 LED Worklight            | 7 Battery Release Tab        |                      |
| 4 Drill Driver             | 8 Belt Clip                  |                      |



## SPECIFICATIONS

<b>Input Voltage:</b>	18V
<b>Battery Capacity:</b>	1.5Ah Li-Ion
<b>Chuck Size:</b>	10mm
<b>No Load Speed:</b>	0-700/min
<b>Torque Settings:</b>	21
<b>Max. Torque:</b>	16Nm
<b>Drilling Capacity (Timber):</b>	19mm
<b>Drilling Capacity (Metal):</b>	6mm
<b>Tool Weight:</b>	1.26kg
<b>Charge Time:</b>	3-5hours
<b>Charger Input:</b>	100-240V~50-60Hz, 15W
<b>Charger Output:</b>	22V DC, 370mA
<b>Charger Protection Class</b>	II

## ITEMS SUPPLIED

Please check that the article is complete as specified in the scope of delivery. If parts are missing, please contact our service centre or the sales outlet where you made your purchase at the latest within 5 working days after purchasing the product and upon presentation of a valid bill of purchase. Also, refer to the warranty table in the service information at the end of the operating instructions.

- Open the packaging and take out the equipment with care.
- Remove the packaging material and any packaging and/or transportation braces (if available).
- Check to see if all items are supplied.
- Inspect the equipment and accessories for transport damage.
- If possible, please keep the packaging until the end of the guarantee period.

**! DANGER!** The equipment and packaging material are not toys. Do not let children play with plastic bags, foils or small parts. There is a danger of swallowing or suffocating!

### Caution! Residual risks

**Even if you use this electric power tool in accordance with instructions, certain residual risks cannot be ruled out. The following hazards may arise in connection with the equipment's construction and layout:**

1. Lung damage if no suitable protective dust mask is used.
2. Damage to hearing if no suitable ear protection is used.
3. Health damage caused by hand-arm vibrations if the equipment is used over a prolonged period or is not properly guided and maintained.

## USING YOUR DRILL DRIVER

The cordless drill is designed for tightening and undoing screws, as well as for drilling in wood, metal and plastic.

The equipment is to be used only for its prescribed purpose. Any other use is deemed to be a case of misuse. The user / operator and not the manufacturer will be liable for any damage or injuries of any kind caused as a result of this.

Please note that our equipment has not been designed for use in commercial, trade or industrial applications. Our warranty will be voided if the machine is used in commercial, trade or industrial businesses or for equivalent purposes.

Before attempting to operate the machine, familiarise yourself with the controls and make sure you know how to stop the machine quickly in an emergency.

Save these instructions and the other documents supplied with this machine for future reference.

**! WARNING!** Ensure the tool is turned off and disconnected from the power supply before performing any of the following operations.

**! WARNING!** The power supply for this charger should be protected by a residual current device (rated at 30mA or less).

### Charging Your Battery

1. Attach the charging adaptor into the battery pack. **FIG. A**
2. Connect the charging adaptor to the power supply.
3. The red battery light will illuminate indicating the battery is charging.
4. Once the battery is charged, the green LED light will illuminate.

### Charger LED Indicator

**Red (Illuminated):** Battery is charging

**Green (Illuminated):** Battery is fully charged

**Red & Green (Flashing):** Battery or charger fault

**Red & Green (Illuminated):** Battery pack is too hot or cold (remove battery from charger and store at room temperature 20°C. Insert battery again when at correct charging temperature). If this happens again, the battery is defective and needs to be replaced.

### Fitting the Battery Pack

1. Slide the battery into the base of the tool until it clicks into place.
2. To remove the battery, press and hold the battery release tab down then remove the battery. **FIG. B**

## DRILL DRIVER OPERATION

### Installing a Bit Into Your Drill

1. Rotate the chuck collar anti-clockwise to open the chuck
2. Insert the drill bit, making sure it is centred in the chuck
3. Tighten the chuck by turning the collar clockwise.
4. Pull on the bit to ensure it is firmly secured.

### Removing a Drill Bit

1. Rotate the chuck collar anti-clockwise to open the chuck
2. Remove the bit from the drill chuck.

**! CAUTION:** Do not handle drill bits or other accessories without gloves as they are sharp and can become hot after use.

### Forward Reverse Selector

1. For forward rotation, push the fwd/rev selector towards the left side of the tool.
2. For reverse rotation, push the fwd/rev selector towards the right side of the tool.

### Variable Speed Trigger

1. To start drilling, squeeze the variable speed trigger.
2. To stop drilling, release the trigger

Note: The more the variable speed trigger is depressed, the faster the drill will rotate.

### Drill Driver Torque Settings

1. Rotate the torque collar on your drill driver to select the desired setting.

Note: Selecting a higher torque setting will allow the drill to use more torque to drive the screw in or out. To prevent damaging the screw head, it is recommended to start at a low torque setting and increase when necessary.

## OPERATING TIPS

1. Depress and release the variable speed trigger to ensure it is not locked.
2. Check the forward/reverse selector is in the desired setting.
3. Ensure the workpiece is secured to stop it turning whilst drilling or driving.
4. Hold the tool firmly and then press the variable speed trigger.
5. Once complete, release the variable speed trigger.

Note: Do not force the tool or apply side pressure to elongate the hole. Let the tool do all the work.

## MAINTENANCE

**! WARNING!** Ensure the tool is turned off and disconnected from the power supply before performing any of the following operations.

Keep the ventilation slots of the tool clean at all times using a soft brush or dry cloth. If possible prevent foreign matter from entering the vents.

After each use, blow air through the tool housing to ensure it is free from all dust particles that may build up. If the enclosure of the tool requires cleaning, use a soft, moist cloth only. Do not use solvents.

**CAUTION: Never immerse any part of the tool in liquid.**

If the charger's supply cord is damaged, it must be replaced by the manufacturer or an authorized service agent in order to avoid a hazard.

**Note:** XU1 will not be responsible for any damage or injuries caused by the repair of the tool by an unauthorised person or by mishandling of the tool.

## SERVICE INFORMATION

Please note that the following parts of this product are subject to normal or natural wear and that the following parts are therefore also required for use as consumables.

Category	Example
Wear parts*	Drill chuck, Battery
Consumables*	Bit Inserts / drill bits
Missing parts	

\* Not necessarily included in the scope of delivery!

## WARRANTY

All of our products undergo strict quality checks to ensure that they reach you in perfect condition. In the unlikely event that your device develops a fault, please contact our service department at the address shown on this guarantee card. You can also contact us by telephone using the customer service number shown. Please note the following terms under which guarantee claims can be made:

1. These warranty terms regulate additional warranty services, which the manufacturer mentioned below promises to buyers of its new products in addition to their statutory guarantee claims are not affected by this guarantee. Our guarantee is free of charge to you.

2. The warranty services only covers defects due to material or manufacturing faults on a product which you have bought from the manufacturer mentioned below are limited to either the rectification of said defects on the product or the replacement of the product, whichever we prefer.

Please note that our devices are not designed for use in commercial, trade or professional applications. A guarantee contract will not be created if the device has been used by commercial, trade or industrial business or has been exposed to similar stresses during the guarantee period.

3. The following are not covered by our guarantee:

- Damage to the device caused by a failure to follow the assembly instructions or due to incorrect installation, a failure to follow the operating instructions (for example connecting it to an incorrect mains voltage or current type) or a failure to follow the maintenance and safety instructions or by exposing the device to abnormal environmental conditions or by lack of care and maintenance.
- Damage to the device caused by abuse or incorrect use (for example overloading the device or the use of unapproved tools or accessories), ingress of foreign bodies into the device (such as sand, stones or dust, transport damage), the use of force or damage caused by external forces (for example by dropping it).
- Damage to the device or parts of the device caused by normal or natural wear or tear or by normal use of the device.

4. Your Product is guaranteed for a period of 12 months from the original date of purchase and is intended for DIY (Do It Yourself) use only. Warranty excludes consumable parts, for example: cutting blade. Guarantee claims should be submitted before the end of the guarantee period within two weeks of the defect being noticed. No guarantee claims will be accepted after the end of the guarantee period. The original guarantee period remains applicable to the device even if repairs are carried out or parts are replaced. In such cases, the work performed or parts fitted will not result in an extension of the guarantee period, and no new guarantee will become active for the work performed or parts fitted. This also applies if an on-site service is used.

IN ORDER TO MAKE A CLAIM UNDER THIS WARRANTY YOU MUST RETURN THE PRODUCT TO THE PLACE OF PURCHASE WITH YOUR REGISTER RECEIPT.

Please refer to the restrictions of this warranty concerning wearing parts, consumables and missing parts as set out in the service information in these operating instructions.

CUSTOMER SERVICE HELPLINE

GB: 0151 294 4488

IRL: 1850 882711

### XU1

Champion's Business Park, Unit 10, 1st Floor, Arroe Brook Road, Upton, Wirral, Merseyside, CH49 0AB