

Eccentric Orbital Sander ES 125 E – Electronic

Art.-No.: **44.621.21**

Bar code: 4006825530100

Sales unit: 10 pcs

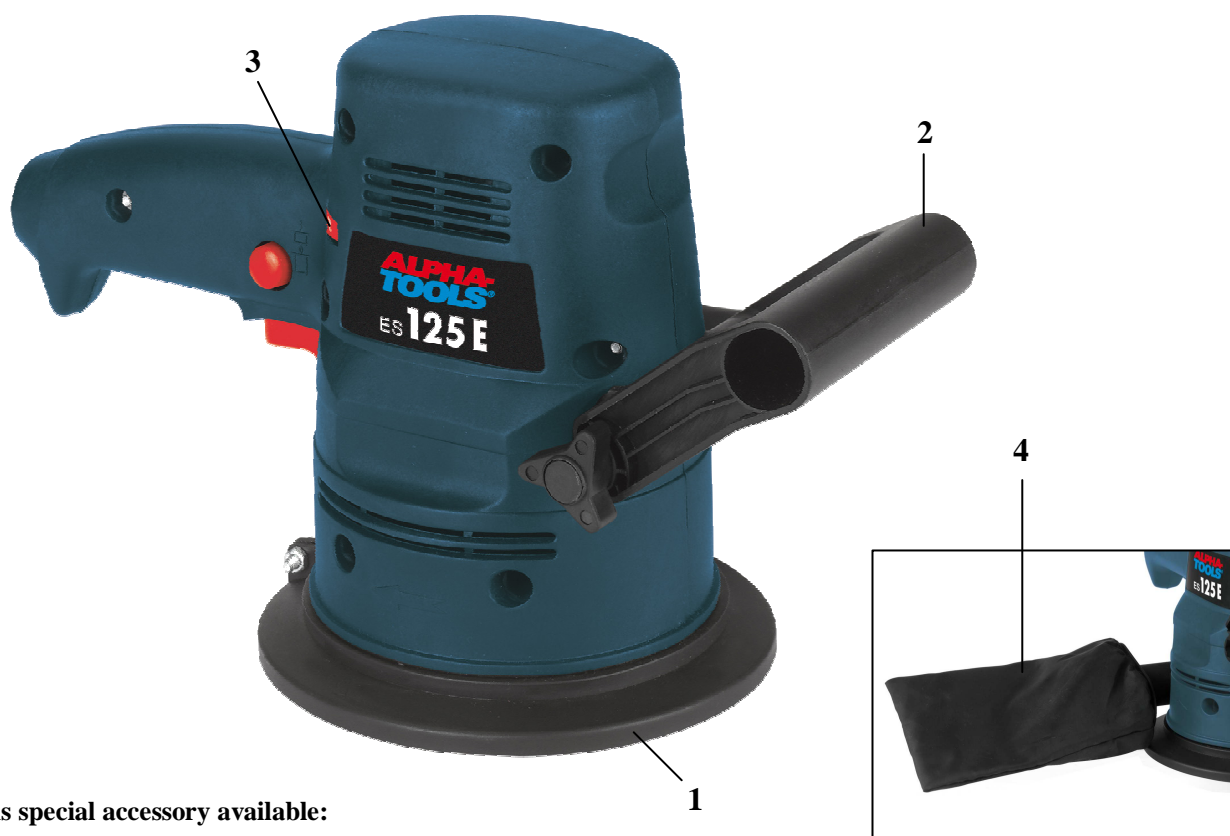
Very compact, robust and powerful orbital sander for sanding of wood, plastics and metals.

Features:

- Powerful 380 watts motor
- Quick and easy change of disc by velcro fastening (1)
- Additional handle for optimal working (2)
- 6-steps electronic speed control (3)
- Integrated dust extraction by dust collection bin (4)

Technical data:

- Mains: 230 V ~ 50 Hz
- Power: 380 watts
- Idle speed: 6000 – 11000 min⁻¹
- Grinding disc-Ø: 125 mm
- Disk wheel-Ø: 120 mm
- Double insulated
- Weight: 2.3 kg
- Packing dimensions: 290 x 155 x 180 mm



As special accessory available:

10 pcs. grinding paper set
60 grains

Art.-No.: **44.602.64**
Bar-Code: 4006825443332

10 pcs. grinding paper set
120 grains

Art.-No.: **44.602.65**
Bar-Code: 4006825443349

10 pcs. grinding paper set
220 grains

Art.-No.: **44.602.66**
Bar-Code: 4006825443356

10 pcs. grinding paper set
4 x G 60, 3 x G 120, 3 x G 240

Art.-No.: **44.602.67**
Bar-Code: 4006825443363

Abbildungen können nicht im Serien-Lieferumfang enthaltenes Zubehör darstellen / Illustrations can contain accessories, which are not included in standard extent of delivery.

Abbildungen ähnlich, produktionsbedingte Abweichung vorbehalten / Illustration similar (in design), production-wise modifications reserved

File: S:\shared-pool\Product-Dokumentation\T-Produktbeschreibung\30_n0t\Originale_Englisch_PA04\4462121_01016.doc

Erstelldatum / create date: 23.08.2006 10:12:00

Aktualisiert / up dated: 28.08.2006