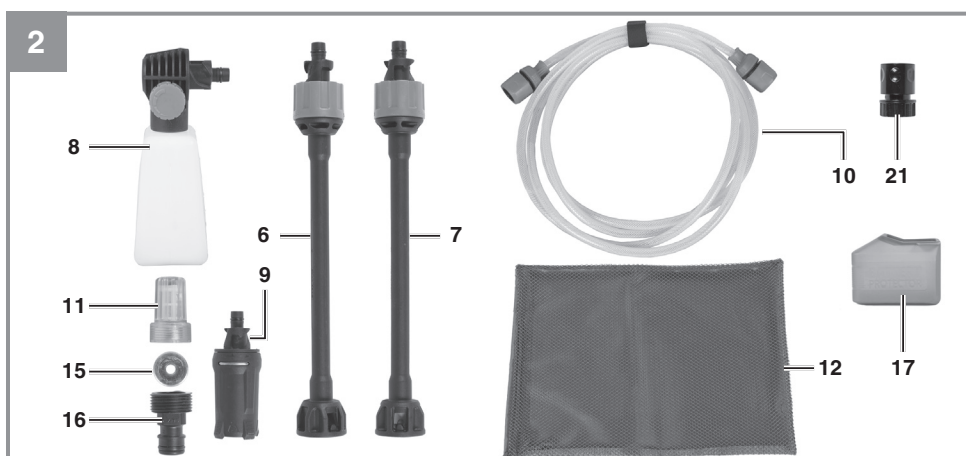
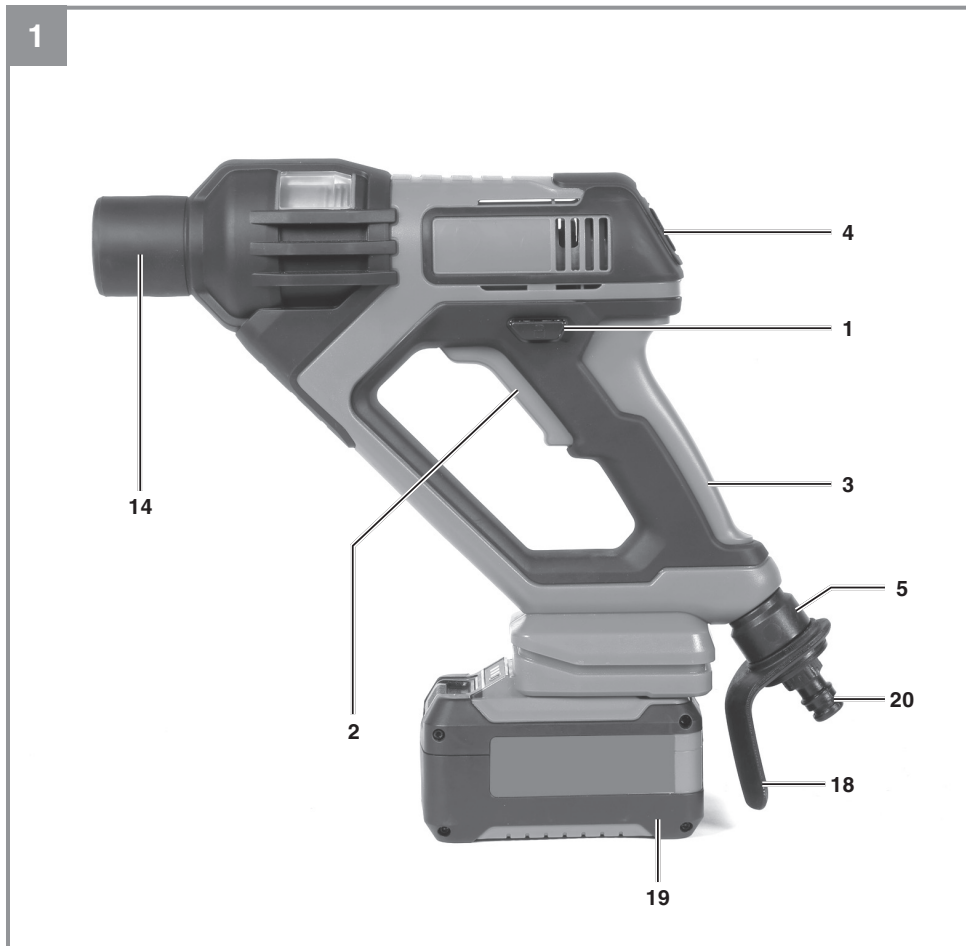


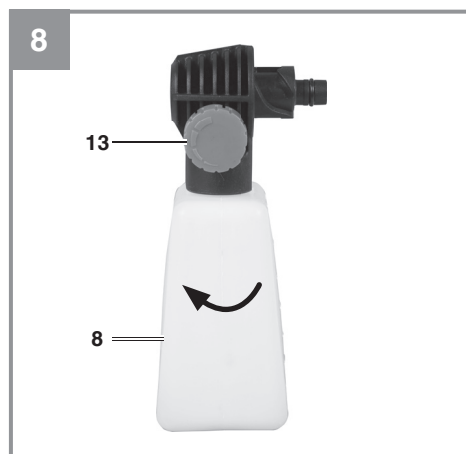
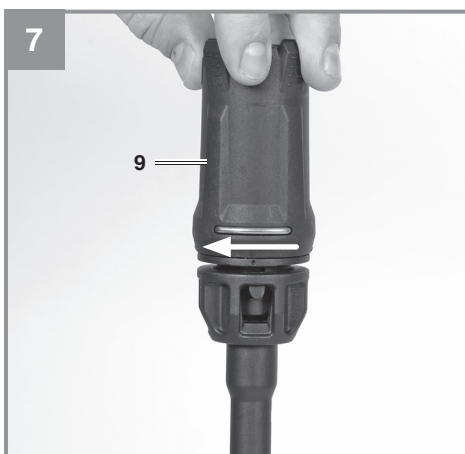
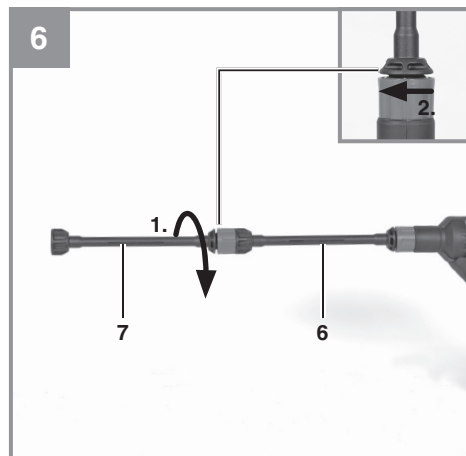
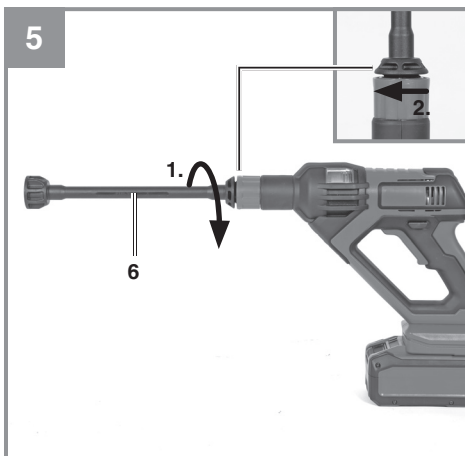
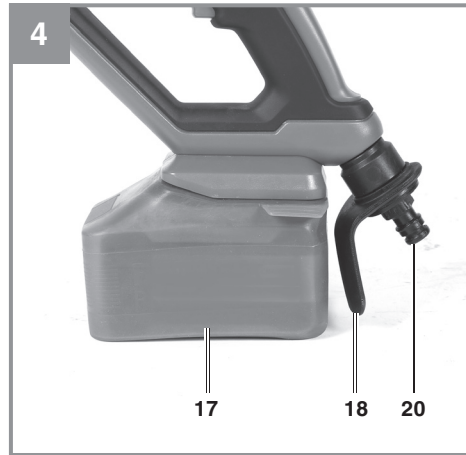
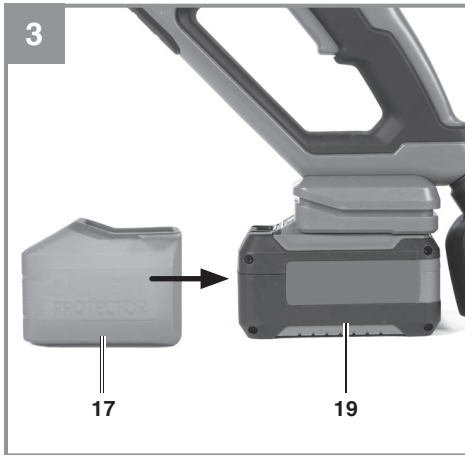
- EN** Operating instructions
Cordless Pressure Washer
- FR** Mode d'emploi
Laveuse à pression sans fil
- SP** Manual de instrucciones
Pistola limpiadora a presión
inalámbrica

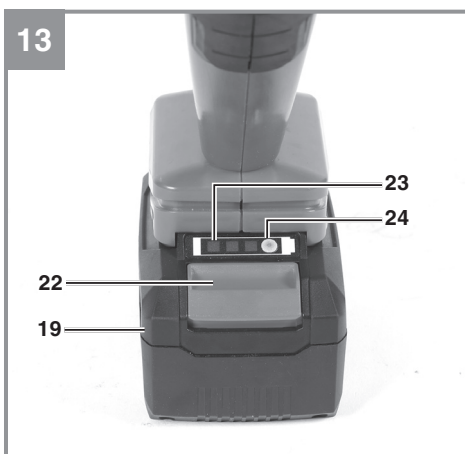
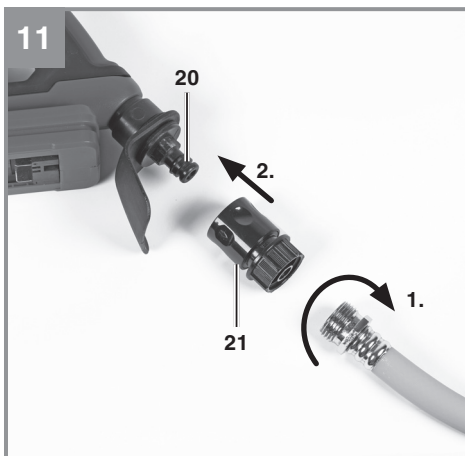
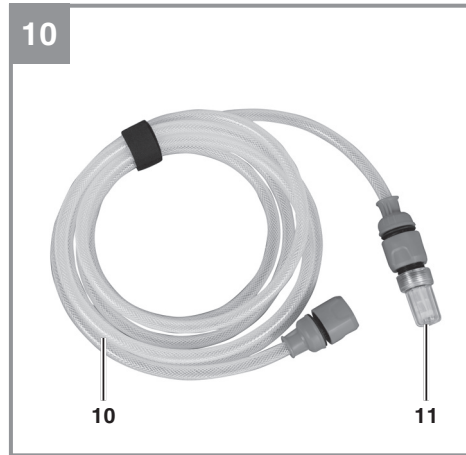
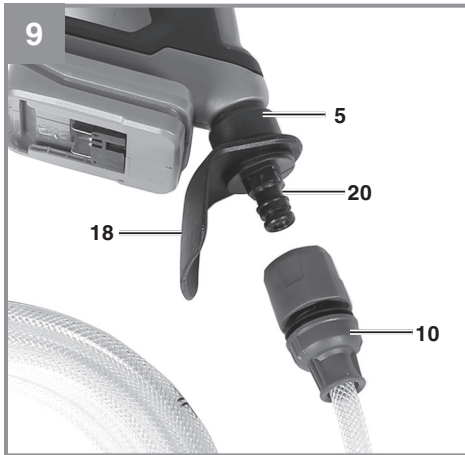


Art.-Nr.: 4140145
Art.-Nr.: 4140146

I.-Nr.: 21013
I.-Nr.: 21013









Danger! - Read the operating instructions to reduce the risk of injury.



Caution! Wear ear-muffs. The impact of noise can cause damage to hearing.



Caution! Wear safety goggles. Sparks generated during work or splinters, chips and dust emitted by the equipment can cause loss of sight.



Warning! High-pressure jets can be dangerous if not used properly. Do not direct the jet at persons, animals, live electrical equipment or the pressure cleaner itself.



This machine is not designed to connecting to the drinking water network without a backflow device (see 5.3)



Protect against moisture.



Store the batteries only in dry rooms with an ambient temperature of 50°F to 104°F (+10°C to +40°C). Place only fully charged batteries in storage (charged at least 40%).

DANGER!

When using the equipment, a number of safety precautions must be observed to avoid injuries and damage. Please read the complete operating instructions and safety information with due care. Keep these operating instructions in a safe place so that the information is available at all times. If you give the equipment to any other person, hand over these operating instructions and the safety information as well. We cannot accept any liability for damage or accidents which arise due to failure to follow these instructions and the safety information.

1. Safety information**DANGER!**

Read all the safety information and instructions. Failure to adhere to the safety information and instructions set out below may result in electric shock, fire and/or serious injury. **Keep all the safety information and instructions in a safe place for future use.**

General safety information for power tools

The term "power tool" used in the safety regulations refers to power tools operated from the mains power supply (with a power cable) and to battery operated power tools (without a power cable).

1) Work area safety

- a) **Keep work area clean and well lit.**
Cluttered and dark areas invite accidents.
- b) **Do not operate power tools in explosive atmospheres, such as in the presence of flammable liquids, gases or dust.** *Power tools create sparks which may ignite the dust or fumes.*
- c) **Keep children and bystanders away while operating a power tool.** *Distractions can cause you to lose control.*

2) Electrical safety

- a) **Power tool plugs must match the outlet. Never modify the plug in any way. Do not use any adapter plugs with earthed (grounded) power tools.** *Unmodified plugs and matching outlets will reduce risk of electric shock.*
- b) **Avoid body contact with earthed or grounded surfaces such as pipes, radiators, ranges and refrigerators.** *There*

is an increased risk of electric shock if your body is earthed or grounded.

- c) **Do not expose power tools to rain or wet conditions.** *Water entering a power tool will increase the risk of electric shock.*
 - d) **Do not abuse the cord. Never use the cord for carrying, pulling or unplugging the power tool. Keep cord away from heat, oil, sharp edges or moving parts.** *Damaged or entangled cords increase the risk of electric shock.*
 - e) **When operating a power tool outdoors, use an extension cord suitable for outdoor use.** *Use of a cord suitable for outdoor use reduces the risk of electric shock.*
 - f) **If operating a power tool in a damp location is unavoidable, use a ground fault circuit interruptor (GFCI) protected supply.** *Use of an GFCI reduces the risk of electric shock.*
- 3) Personal safety**
- a) **Stay alert, watch what you are doing and use common sense when operating a power tool. Do not use a power tool while you are tired or under the influence of drugs, alcohol or medication.** *A moment of inattention while operating power tools may result in serious personal injury.*
 - b) **Use personal protective equipment. Always wear eye protection.** *Protective equipment such as dust mask, non-skid safety shoes, hard hat, or hearing protection used for appropriate conditions will reduce personal injuries.*
 - c) **Prevent unintentional starting. Ensure the switch is in the Off-position before connecting to power source and/or BATTERY pack, picking up or carrying the tool.** *Carrying power tools with your finger on the switch or energizing power tools that have the switch on invites accidents.*
 - d) **Remove any adjusting key or wrench before turning the power tool on.** *A wrench or a key left attached to a rotating part of the power tool may result in personal injury.*
 - e) **Do not overreach. Keep proper footing and balance at all times.** *This enables better control of the power tool in unexpected situations.*
 - f) **Dress properly. Do not wear loose clothing or jewellery. Keep your hair, clothing and gloves away from moving parts.** *Loose clothes, jewelry or long hair*

- can be caught in moving parts.
- g) **If devices are provided for the connection of dust extraction and collection facilities, ensure these are connected and properly used.** *Use of these devices can reduce dust related hazards.*
- h) **Do not let familiarity gained from frequent use of tools allow you to become complacent and ignore tool safety principles.** *A careless action can cause severe injury within a fraction of a second.*
- 4) Power tool use and care**
- a) **Do not force the power tool. Use the correct power tool for your application.** *The correct power tool will do the job better and safer at the rate for which it was designed.*
- b) **Do not use the power tool if the switch does not turn it on and off.** *Any power tool that cannot be controlled with the switch is dangerous and must be repaired.*
- c) **Disconnect the plug from the power source and/or remove the battery pack, if detachable, from the power tool before making any adjustments, changing accessories, or storing power tools.** *Such preventive safety measures reduce the risk of starting the power tool accidentally.*
- d) **Store idle power tools out of the reach of children and do not allow persons unfamiliar with the power tool or these instructions to operate the power tool.** *Power tools are dangerous in the hands of untrained users.*
- e) **Maintain power tools and accessories. Check for misalignment or binding of moving parts, breakage of parts and any other condition that may affect the power tool's operation. If damaged, have the power tool repaired before use.** *Many accidents are caused by poorly maintained power tools.*
- f) **Keep cutting tools sharp and clean.** *Properly maintained cutting tools with sharp cutting edges are less likely to bind and are easier to control.*
- g) **Use the power tool, accessories and tool bits etc., in accordance with these instructions and in the manner intended for the particular type of power tool, taking into account the working conditions and the work to be performed.** *Use of the power tool for operations different from intended could result in a hazardous situation.*
- h) **Keep handles and grasping surfaces dry, clean and free from oil and grease.** *Slippery handles and grasping surfaces do not allow for safe handling and control of the tool in unexpected situations.*
- 5) Battery tool use and care**
- a) **Recharge only with the charger specified by the manufacturer.** *A charger that is suitable for one type of battery pack may create a risk of fire when used with another battery pack.*
- b) **Use power tools only with specifically designated battery packs.** *Use of any other battery packs may create a risk of injury and fire.*
- c) **When battery pack is not in use, keep it away from other metal objects, like paper clips, coins, keys, nails, screws or other small metal objects that can make a connection from one terminal to another.** *Shorting the battery terminals together may cause burns or a fire.*
- d) **Under abusive conditions, liquid may be ejected from the battery; avoid contact. If contact accidentally occurs, flush with water. If liquid contacts eyes, additionally seek medical help.** *Liquid ejected from the battery may cause irritation or burns.*
- e) **Do not use a BATTERY pack or tool that is damaged or modified.** *Damaged or modified batteries may exhibit unpredictable behavior resulting in fire, EXPLOSION or risk of injury.*
- f) **Do not expose a BATTERY pack or tool to fire or excessive temperature.** *Exposure to fire or temperature above 266°F (130°C) may cause explosion.*
- g) **Follow all charging instructions and do not charge the BATTERY pack or tool outside the temperature range specified in the instructions.** *Charging improperly or at temperatures outside the specified range may damage the BATTERY and increase the risk of fire.*
- 6) Service**
- a) **Have your power tool serviced by a qualified repair person using only identical replacement parts.** *This will ensure that the safety of the power tool is maintained.*
- b) **Never service damaged BATTERY packs.** *Service of BATTERY packs should only be*

performed by the manufacturer or authorized service providers.

Additional safety instructions

We pay a great deal of attention to the design of every battery pack to ensure that we supply you with batteries which feature maximum power density, durability and safety. The battery cells have a wide range of safety devices. Each individual cell is initially formatted and its electrical characteristic curves are recorded. These data are then used exclusively to be able to assemble the best possible battery packs.

Despite all the safety precautions, caution must always be exercised when handling batteries. The following points must be obeyed at all times to ensure safe use. Safe use can only be guaranteed if undamaged cells are used. Incorrect handling can cause cell damage.

Caution! Analyses confirm that incorrect use and poor care are the main causes of the damage caused by high performance batteries.

Information about the battery

1. The battery pack supplied with your cordless tool is not charged. The battery pack has to be charged before you use the tool for the first time.
2. For optimum battery performance avoid low discharge cycles. Charge the battery pack frequently.
3. Store the battery pack in a cool place, ideally at 59°F (15°C) and charged to at least 40%.
4. Lithium-Ion batteries are subject to a natural ageing process. The battery pack must be replaced at the latest when its capacity falls to just 80% of its capacity when new. Weakened cells in an aged battery pack are no longer capable of meeting the high power requirements and therefore pose a safety risk.
5. Do not throw battery packs into an open fire. There is a risk of explosion!
6. Do not ignite the battery pack or expose it to fire.
7. **Do not exhaustively discharge batteries.** Exhaustive discharge will damage the battery cells. The most common cause of deep discharge is lengthy storage or non-use of partly discharged batteries. Stop working as soon as the performance of the battery falls noticeably or the electronic protection system triggers. Place the battery pack in storage only after it has been fully charged.

8. **Protect batteries and the tool from overloads.** Overloads will quickly result in overheating and cell damage inside the battery housing without this overheating actually being apparent externally.
9. **Avoid damage and shocks.** Replace batteries which have been dropped from a height of more than one meter or which have been exposed to violent shocks without delay, even if the housing of the battery pack appears to be undamaged. The battery cells inside the battery may have suffered serious damage. In this respect, please also read the waste disposal information.
10. If the battery pack suffers overloading and overheating, the integrated protective cut-off will switch off the equipment for safety reasons. Caution! Do not press the ON/OFF switch any more if the protective cut-off has actuated. This may damage the battery.
11. Use only original battery packs. The use of other batteries may result in injuries, explosion and a fire risk.
12. **Protect your rechargeable battery against moisture, rain and high humidity.** Moisture, rain and high humidity can cause dangerous cell damage. Never charge or work with batteries which have been exposed to moisture, rain or high humidity – replace them immediately.
13. If your equipment is fitted with a detachable battery, remove the battery for safety reasons after you have finished your work.

Information on chargers and the charging process

1. Please check the data marked on the rating plate of the battery charger. Be sure to connect the battery charger to a power supply with the voltage marked on the rating plate. Never connect it to a different mains voltage.
2. Protect the battery charger and its cable from damage and sharp edges. Have damaged cables repaired without delay by a qualified electrician.
3. Keep the battery charger, batteries and the cordless tool out of children's reach.
4. Do not use damaged battery chargers.
5. Do not use the supplied battery charger to charge other cordless tools.
6. In heavy use the battery pack will become warm. Allow the battery pack to cool to room temperature before commencing with the charging.
7. **Do not over-charge batteries.** Do not

exceed the maximum charging times. These charging times apply only to discharged batteries. Frequent insertion of a charged or partly charged battery pack will result in over-charging and cell damage. Do not leave batteries in the charger for more than 48 hours.

8. **Never use or charge batteries if you suspect that the last time they were charged was more than 12 months previously.** There is a high probability that the battery pack has already suffered dangerous damage (exhaustive discharge).
9. Charging batteries at a temperature below 50°F (10°C) will cause chemical damage to the cell and may cause a fire.
10. Do not use batteries which have heated during the charging process, as the battery cells may have suffered dangerous damage.
11. Do not use batteries which have suffered curvature or deformation during the charging process or which show other non-typical symptoms (gassing, hissing, cracking,...)
12. Never fully discharge the battery pack (recommended depth of discharge max. 80%) A complete discharge of the battery pack will lead to premature ageing of the battery cells.
13. Never charge the batteries unsupervised.

Protection from environmental influences

1. Wear suitable work clothes. Wear safety goggles.
2. **Protect your cordless tool and the battery charger from moisture and rain.** Moisture and rain can cause dangerous cell damage.
3. Do not use the cordless tool or the battery charger near vapors and inflammable liquids.
4. Use the battery charger and cordless tools only in dry conditions and an ambient temperature of 50°F to 104°F (10°C to 40°C).
5. Do not keep the battery charger in places where the temperature is liable to reach over 104°F (40°C). In particular, do not leave the battery charger in a car that is parked in the sunshine.
6. **Protect batteries from overheating.** Overloads, over-charging and exposure to direct sunlight will result in overheating and cell damage. Never charge or work with batteries which have been overheated – replace them immediately if possible.
7. **Storage of batteries, battery chargers and cordless tools.** Store the charger and your cordless tool only in dry places with an

ambient temperature of 50°F to 104°F (10°C to 40°C). Store the Lithium-Ion rechargeable battery in a cool and dry place at 50°F to 68°F (10°C to 20°C). Protect them from humidity and direct sunlight! Place only fully charged batteries in storage (charged at least 40%).

8. Prevent the Lithium-Ion battery pack from freezing. Battery packs which were stored below 32°F (0°C) for more than 60 minutes must be disposed of.
9. When handling batteries beware of electrostatic charge: Electrostatic discharges cause damage of the electronic protection system and the battery cells. Avoid electrostatic charging and never touch the battery poles.

Battery Caution + Disposal

Disposal

Should your appliance need replacement after extended use, do not dispose of it with the household refuse, but in an environmentally safe way.



Waste produced by electrical machine items should not be handled like normal household rubbish. Please recycle where recycle facilities exist. Check with your local authority or retailer for recycling advice.

Always dispose of your battery pack according to federal, state, provincial and local regulations. Contact a recycling agency in your area for recycling locations.

⚠ CAUTION! Even discharged battery packs contain some energy. Before disposing, use electrical tape to cover the terminals to prevent the battery pack from shorting, which could cause a fire or explosion.

⚠ WARNING! To reduce the risk of injury or explosion, never burn or incinerate a battery pack even if it is damaged, dead, or completely discharged. When burned, toxic fumes and materials are emitted into the surrounding atmosphere.

1. Batteries vary according to device. Consult your manual for specific information.
2. Install only new batteries of the same type in your product (where applicable).
3. Failure to insert batteries in the correct polarity, as indicated in the battery compartment or manual, may shorten the life of the batteries or cause batteries to leak.
4. Do not mix old and new batteries.
5. Do not mix Alkaline, Standard (Carbon-Zinc),

- or Rechargeable (Nickel Cadmium, Nickel Metal Hydride, or Lithium-Ion) batteries.
- 6. Do not dispose of batteries in fire.
- 7. Batteries should be recycled or disposed of as per state, provincial and local guidelines.

When shipping or disposing of batteries and cordless tools, always ensure that they are packed individually in plastic bags to prevent short circuits and fires.

General safety regulations and accident prevention

It is essential that you read the safety regulations and operating instructions in their entirety and follow the information contained therein in order to eliminate the possibility of an accident or potentially dangerous situation from occurring while working with the high pressure washer.

- Warning! Do not use the device when other persons or animals are in the near vicinity unless they are wearing appropriate protective clothing.
- Warning! High-pressure jets can be dangerous if not used properly. Do not direct the jet at persons, animals, live electrical equipment or the tool itself.
- Warning! Do not direct the jet toward yourself or others in order to clean clothes and footwear.
- Warning! Do not allow the tool to be used by children or unauthorized persons.
- Warning! In order to ensure the operational safety of the device, only use genuine manufacturer's replacement parts or parts that have been approved by the manufacturer.
- Wear suitable work clothes.
- The appliance is not to be used if it has been dropped, if there are visible signs of damage or if it is leaking.
- Check that the tool is in good working order. If the tool fails to work properly, have it checked by a qualified electrician. Have all maintenance and inspection work carried out only by a qualified electrician.
- The water jet that emerges from the nozzle produces a "kickback" on the spray gun. Make sure that you have a solid footing and are holding the spray gun firmly. To protect yourself from objects catapulted by the high pressure jet, wear suitable protection gear.
- The high pressure jet can damage vehicle tires and tire parts. Keep a distance of at least 11-3/4" (30 cm) from the object being cleaned.

- The electric pump must always be able to draw on a sufficient supply of water. Dry operation causes severe damage to the seals.

This equipment must not be used by children. Children must always be supervised to ensure that they do not play with this equipment.

Keep the appliance out of reach of children when it is energized or cooling down.

WARNING! When using this product basic precautions should always be followed, including the following:

1. Read all the instructions before using the product.
2. To reduce the risk of injury, close supervision is necessary when a product is used near children.
3. Know how to stop the product and bleed pressures quickly. Be thoroughly familiar with the controls.
4. Stay alert – watch what you are doing.
5. Do not operate the product when fatigued or under the influence of alcohol or drugs.
6. Keep operating area clear of all persons.
7. Do not overreach or stand on unstable support. Keep good footing and balance at all times.
8. Follow the maintenance instructions specified in the manual.
9. Risk of injury– do not direct discharge stream at persons.
10. Do not spray electrical apparatus and wiring.
11. Read all safety warnings and instructions. Failure to follow the warnings and instructions may result in electric shock, fire and/or serious injury.
12. Prevent unintentional starting. Ensure the switch is in the off position before connecting to battery pack, picking up or carrying the appliance. Carrying the appliance with your finger on the switch or energizing appliance that have the switch on invites accidents.
13. Disconnect the battery pack from the appliance before making any adjustments, changing accessories, or storing appliance. Such preventive safety measures reduce the risk of starting the appliance accidentally.
14. Recharge only with the charger specified by the manufacturer. A charger that is suitable for one type of battery pack may create a risk of fire when used with another battery pack.
15. Use appliances only with specifically

designated battery packs. Use of any other battery packs may create a risk of injury and fire.

16. When battery pack is not in use, keep it away from other metal objects, like paper clips, coins, keys, nails, screws or other small metal objects, that can make a connection from one terminal to another. Shorting the battery terminals together may cause burns or a fire.
17. Under abusive conditions, liquid may be ejected from the battery; avoid contact. If contact accidentally occurs, flush with water. If liquid contacts eyes, additionally seek medical help. Liquid ejected from the battery may cause irritation or burns.
18. Do not use a battery pack or appliance that is damaged or modified. Damaged or modified batteries may exhibit unpredictable behavior resulting in fire, explosion or risk of injury.
19. Do not expose a battery pack or appliance to fire or excessive temperature. Exposure to fire or temperature above 265°F (130°C) may cause an explosion.
20. Follow all charging instructions and do not charge the battery pack or appliance outside of the temperature range specified in the instructions. Charging improperly or at temperatures outside of the specified range may damage the battery and increase the risk of fire.
21. Have servicing performed by a qualified repair person using only identical replacement parts. This will ensure that the safety of the product is maintained.
22. Do not modify or attempt to repair the appliance or the battery pack (as applicable) except as indicated in the instructions for use and care.

SAVE THESE INSTRUCTIONS

2. Layout and items supplied

2.1 Layout

1. Release button for trigger lever
2. Trigger lever
3. Handle switch
4. Eco button
5. Water inlet
6. Extension A
7. Extension B
8. Detergent nozzle
9. Nozzle attachment

10. Suction hose
11. Suction hose filter
12. Transport bag
13. Detergent nozzle adjuster
14. Connector for extension A
15. Weight
16. Connector for filter
17. PXC battery protector
18. Splash guard
19. Battery pack (not supplied)
20. Connector water inlet
21. Hose coupling adaptor
22. Pushlock button
23. Battery capacity indicator
24. Battery capacity indicator button

2.2 Items supplied

Please check that the article is complete as specified in the scope of delivery. If parts are missing, please contact our service center or the store where you made your purchase at the latest within 5 work days after purchasing the article and upon presentation of a valid bill of purchase.

- Open the packaging and take out the equipment with care.
- Remove the packaging material and any packaging and/or transportation braces (if present).
- Check to see if all the items are supplied.
- Inspect the equipment and accessories for transport damage.
- If possible, keep the packaging until the end of the guarantee period.

Danger!

The equipment and packaging material are not toys. Do not let children play with plastic bags, plastic sheets and small parts. There is a risk of choking and suffocating!

- Connector
- Nozzle attachment
- 2x Extension
- Detergent nozzle
- Suction hose
- Suction hose filter
- Weight
- Hose coupling adaptor
- PXC battery protector
- Original operating instruction with safety information

Separately available accessories

18V 1.5Ah PXC Lithium-Ion battery
 18V 2.0Ah PXC Lithium-Ion battery
 18V 2.5Ah PXC Lithium-Ion battery
 18V 3.0Ah PXC Lithium-Ion battery
 18V 4.0Ah PXC Lithium-Ion battery
 18V 3.0Ah PXC Plus Lithium-Ion battery
 18V 4.0Ah PXC Plus Lithium-Ion battery
 18V 5.2Ah PXC Plus Lithium-Ion battery
 18V 4.0Ah/6.0Ah PXC Plus Lithium-Ion battery
 18V 5.0Ah/8.0Ah PXC Plus Lithium-Ion battery
 18V PXC Dual Port Fast Charger
 18V PXC Fast Charger

Contact your local retailer for more specific models of batteries and charger available in your area. You can also explore battery + charger options at Einhell.com.

3. Intended use


This tool is designed to clean vehicles, machines, buildings, facades, etc. in the private sector.

The equipment is allowed to be used only for its prescribed purpose. Any other use is deemed to be a case of misuse. The user/operator and not the manufacturer will be liable for any damage or injuries of any kind resulting from such misuse.

Please note that our equipment has not been designed for use in commercial, trade or industrial applications. Our warranty will be voided if the equipment is used in commercial, trade or industrial businesses or for equivalent purposes.

This machine is not allowed to be used by persons (including children) with reduced physical, sensory, or mental capacities or those with a lack of experience and knowledge.

4. Technical data

Motor power supply: 18V 
 Maximum pressure: 348 PSI
 Maximum flow per minute: 1.0 GPM
 Max. water inlet pressure: 72.5 PSI
 Water inlet temperature: 41°F – 104°F
 Weight (Tool only): 4.6 lbs

Wear ear-muffs.

The impact of noise can cause damage to hearing.

Reduce noise generation and vibration to a minimum!

- Use only equipment that is in perfect condition.
- Maintain and clean the equipment regularly.
- Adapt your way of working to the equipment.
- Do not overload the equipment.
- Have the equipment checked if necessary.
- Switch off the equipment when not in use.

CAUTION!**Residual risks**

Even if you use this electric power tool in accordance with the instructions, certain residual risks cannot be eliminated. The following hazards may arise in connection with the equipment's construction and layout:

1. Lung damage if no suitable protective dust mask is used.
2. Damage to hearing if no suitable ear protection is applied.
3. Health damage caused by hand-arm vibrations if the equipment is used over a longer period or is not properly guided and maintained.

Limit the operating time.

All stages of the operating cycle must be considered (for example, times in which the electric tools are switched off and times in which the tool is switched on but operates without load).

5. Before starting the equipment**Caution!**

Protect your battery pack against moisture, rain and high humidity. Make sure that no water runs over the battery pack or its contacts during operation.

Use the PXC battery protector (17) supplied with the tool. First insert the battery in your PXC tool (Fig. 3/ Item 19). As you do so, make sure that the contacts on the tool and on the battery are dry. Now pull the PXC battery protector (17) over the battery (Fig. 4). Make sure that PXC battery protector is not damaged, is correctly seated and seals off every contact surface from the tool.

Always remove the PXC battery protector before you take the battery out of the tool.

Warning!

Always pull out the battery before making any settings on the equipment.

5.1 Using the equipment correctly

- The tool must be stood on a level, stable surface.
- It is recommended that you adopt the correct operating position every time you use the equipment, i.e. one hand on the gun and the other hand on the lance.
- Never direct the water jet at electric cables or at the equipment itself.
- So that the pump does not suffer any damage when it is not in use, a small amount of leakage from the pump is normal.
- Never use the machine in potentially explosive areas under any circumstances!
- The operating temperature must be between 41°F (5°C) and 104°F (40°C).
- Do not cover or modify the lance or the spray nozzles in any way.
- The tool is designed to be used with cold or lukewarm water (max. 104°F (40°C)); higher temperatures will result in damage to the pump.
- Do not use water that is dirty, gritty or contains any chemical products, as these could impair operation and shorten the life of the equipment.

Warning – Risk of explosion

Do not spray flammable liquids.

Warning

Water that has passed through the non-return valve is not drinkable.

Warning

If cleaning agent gets into contact with your skin or into your eye, rinse immediately with lots of clean water. Then consult a doctor or follow the steps described on the safety data sheet or provided by the manufacturer of the cleaning agent.

5.2 Assembly

Fitting the extensions/nozzles (Fig. 5-8)

Important!

Only extension A (6) can be fitted to the gun.

First fit the extension A (6) to the connector (14) as shown in Fig. 5. Turn it clockwise until the extension latches in place. Then you must lock the extension by turning the fastener lock as shown in Fig. 5/Item 2. The extension B (7) must be connected to the extension A (6) likewise by turning it clockwise and locking it with the fastener lock (Fig. 6/Item 2). Now you can push the attachments (detergent bottle, nozzle attachment) into the extension (B) and secure them by turning clockwise.

Important! Check that the attachments and extensions A+B are secure before you begin with the cleaning.

Nozzle attachment

By turning the nozzle (9) clockwise (Fig. 5/ Item 9) you can change the shape of the water jet from a solid cone to a narrow flat fan, a wide flat fan or rotation (Fig. 4).

Detergent bottle nozzle with container

Open the detergent bottle nozzle (Fig. 6) by turning it, then fill in the detergent bottle. You can select the quantity of detergent by turning the foam adjuster (13).

5.3 Water inlet connection (Fig. 9-11)

The connection for the water inlet (5) is equipped with a connector (20) for standard hose coupling systems. Connect the 3/4" GHT hose coupling adaptor (21) onto the garden hose. Connect coupling adaptor (21) to the water inlet connector (20).

Attention! The splash guard (18) additionally protects the battery against splashing water and must therefore always be used. The splash guard (18) must be mounted between the water inlet (5) and the water inlet connector (20).

Warning!

A backflow stop must be installed between the drinking water and the tool! Ask your local plumber about this.

To use water from a container, always use the suction hose (10) and the suction hose filter (11) as shown in Fig. 11. Connect suction hose (10)

to the water inlet connector (20). Attention! The splash guard (18) additionally protects the battery against splashing water and must therefore always be used. The splash guard (18) must be mounted between the water inlet (5) and the water inlet connector (20).

6. Operation

6.1 Charging the Lithium-Ion battery (not included)

The corresponding instructions can be found in the original operating instructions for your charger.

6.2 Battery capacity indicator (Fig. 13 / item 23)

Press the battery capacity indicator switch (24). The battery capacity indicator (23) shows the charge status of the battery using 3 LEDs.

All 3 LEDs lit:

The battery is fully charged.

2 or 1 LED(s) lit:

The battery has an adequate remaining charge.

1 LED flashing:

The battery is empty, recharge the battery.

All LEDs flashing:

The temperature of the battery is too low. Remove the battery from the device and leave it at room temperature for a day. If the error occurs again, this means that the battery has been completely depthdischarged and is defective. Remove the battery from the device. Never use or charge a defective battery.

6.3 Using for the first time

Once you have completely assembled the tool and made all the required connections, you can proceed as follows: Open the water inlet. Press the release (Fig. 1/Item 1) on the pressure washer to unlock the trigger and the grip switch. Press the grip switch (Fig. 1/Item 3) so that any air still inside the tool can escape. Now actuate the trigger (2) and the grip switch (3) simultaneously in order to start the cleaning. To switch it off you must release the trigger (2). The tool will then go into standby mode. As soon as you press the trigger (2), the tool will start again. You can choose between two pressure levels by pressing on the Eco button (Fig. 12 / Item 4).

7. Cleaning and maintenance

HAZARD!

Always take the battery out of the equipment before starting any cleaning work.

7.1 Cleaning

- Keep all safety devices, air vents and the motor housing free of dirt and dust as far as possible. Wipe the equipment with a clean cloth or blow it down with compressed air at low pressure.
- We recommend cleaning the equipment immediately each time after use.
- Clean the equipment regularly with a damp cloth and some soft soap. Do not use cleaning agents or solvents; these may be aggressive to the plastic parts in the equipment. Ensure that no water can get into the interior of the equipment. The ingress of water into an electric power tool increases the risk of an electric shock.
- Use detergents designed for power washers. Hardware stores or home centers also have power washer detergents for different cleaning projects. The cleaning solution should be the consistency of water in order to prevent clogging your detergent bottle and nozzle.

7.2 Maintenance

Testing the intake hose filter

Periodically check the intake filter in order to prevent clogging that could jeopardize the pump's operation.

Unscrew the water inlet connector (16) from the intake hose filter (11) and clean the exposed inlet sieve under running water.

Prolonged non-use of the electric pump

The equipment should be completely emptied of water each time after it is used. This requires you to switch on the equipment without a connected water supply and to press the trigger lever (2) (max. 1 min.) until no more water emerges. Then you must switch off the equipment.

If the equipment is not used for a prolonged period of time, lime deposits will begin to form in the electric pump, which in turn can lead to starting difficulties.

Cleaning the nozzle (Fig. 7)

Use e.g. a safety pin to clean a clogged nozzle.

8. Disposal and recycling

The equipment is supplied in packaging to prevent it from being damaged in transit. The raw materials in this packaging can be reused or recycled. The equipment and its accessories are made of various types of material, such as metal and plastic. Never place defective equipment in your household refuse. The equipment should be taken to a suitable collection center for proper disposal. If you do not know the whereabouts of such a collection point, you should ask in your local council offices.

9. Storage

Store the equipment and its accessories out of children's reach in a dark and dry place at above freezing temperature. The ideal storage temperature is between 41°F and 86°F (5°C and 30°C). Keep the electric tool in its original packaging. Drain the pressure washer of excess water before storage and do not allow freezing.

The reprinting or reproduction by any other means, in whole or in part, of documentation and papers accompanying the products is strictly subject to the express consent of Einhell Germany AG.

Subject to technical changes.

10. Troubleshooting

Problem	Cause	Solution
The equipment does not work.	<ul style="list-style-type: none"> - No electrical voltage at the equipment. - The pump is frozen. 	<ul style="list-style-type: none"> - The battery is not charged. - The battery is not correctly connected. - Check and thaw if necessary.
The motor starts but there is no pressure build-up.	<ul style="list-style-type: none"> - The water intake filter is clogged. - Air intake in the water inlet. - The discharge nozzle is too large. - The water cock is closed. 	<ul style="list-style-type: none"> - Clean the water intake filter. (see 7.2) - Check the supply hose and hose connectors and replace them if necessary. - Check and replace if necessary. - Turn open the water cock.
The operating pressure is irregular.	<ul style="list-style-type: none"> - Air intake in the water inlet. 	<ul style="list-style-type: none"> - Check the supply hose and hose connectors and replace them if necessary.



Danger! - Lire le mode d'emploi pour diminuer le risque de blessures.



Attention ! Portez une protection auditive. Le bruit peut provoquer une perte d'acuité auditive.



Attention ! Portez des lunettes de protection. Les étincelles créées pendant le travail ou les éclats, les copeaux et les poussières sortant de l'appareil peuvent entraîner la perte de la vue.



Avertissement ! Les jets d'eau peuvent être dangereux en cas d'utilisation non conforme. Le jet ne doit pas être dirigé sur des personnes, des animaux, des équipements électriques en fonctionnement ou sur l'appareil lui-même.



Cette machine n'est pas prévue pour être raccordée au réseau d'eau potable sans un clapet anti-retour (voir 5.3)



Protégez l'appareil contre l'humidité !



Conservez les batteries uniquement dans des locaux secs et à une température ambiante de 50-104 °F (+10-+40 °C). Conservez les batteries uniquement en état chargé (au moins 40 % de charge).

Danger !

Certaines mesures de sécurité doivent être respectées pendant l'utilisation des appareils pour empêcher les blessures et les dommages. Par conséquent, lisez attentivement le présent mode d'emploi / les consignes de sécurité. Conservez-les bien pour avoir les informations toujours à la portée de la main. Si vous devez passer l'appareil à d'autres personnes, veuillez leur remettre également le présent mode d'emploi / les consignes de sécurité. Nous ne sommes pas tenus des accidents ou dommages survenus à cause de non-respect du présent mode d'emploi et des consignes de sécurité.

1. Consignes de sécurité**Danger !**

Lisez toutes les consignes de sécurité et instructions. Le non-respect des consignes de sécurité et des instructions peut causer une électrocution, un incendie et / ou de graves blessures. **Conservez toutes les consignes de sécurité et instructions pour l'avenir.**

Consignes générales de sécurité pour les outils électriques

Le terme « outil électrique » utilisé dans les consignes de sécurité se réfère à des outils électriques alimentés par le secteur (avec câble d'alimentation) et à des outils électriques alimentés par la batterie (sans câble d'alimentation).

1. Sécurité du lieu de travail

- a) **Maintenez votre espace de travail propre et bien éclairé.** *Le désordre ou les espaces de travail non éclairés peuvent provoquer des accidents.*
- b) **Ne travaillez pas avec l'outil électrique dans une atmosphère explosible contenant des liquides, des gaz ou des poussières combustibles.** *Les appareils électriques génèrent des étincelles pouvant enflammer la poussière ou les vapeurs.*
- c) **Tenez à distance les enfants et autres personnes lors de l'utilisation de l'appareil électrique.** *En cas de distraction, vous pouvez perdre le contrôle de l'appareil.*

2. Sécurité électrique

- a) **La fiche de raccordement de l'appareil électrique doit être adaptée à la prise. La fiche ne doit être modifiée en aucune façon. N'utilisez pas de fiche d'adaptateur avec les outils électriques mis à la terre.** *Les fiches non modifiées et les prises adaptées diminuent le risque d'une électrocution.*
 - b) **Évitez le contact physique avec les surfaces mises à la terre, comme celles de conduits, des chauffages, des cuisinières et des réfrigérateurs.** *Il existe un risque élevé d'électrocution lorsque votre corps est mis à la terre.*
 - c) **Gardez les appareils électriques à l'abri de la pluie ou de l'humidité.** *La pénétration de l'eau dans un appareil électrique augmente le risque d'une électrocution.*
 - d) **Ne détournez pas le câble de sa fonction pour porter ou pour accrocher l'appareil électrique ou pour retirer la fiche de la prise. Gardez le câble à l'abri de la chaleur, de l'huile, des bords coupants ou des éléments mobiles de l'appareil.** *Les câbles endommagés ou enchevêtrés augmentent le risque d'une électrocution.*
 - e) **Si vous travaillez avec un appareil électrique dehors, utilisez uniquement une rallonge adaptée à l'usage à l'extérieur.** *L'utilisation d'une rallonge adaptée à l'usage à l'extérieur diminue le risque d'une électrocution.*
 - f) **Si l'appareil électrique doit être utilisé dans un environnement humide, utilisez un Disjoncteur de fuite à la terre.** *L'utilisation d'un disjoncteur de fuite à la terre diminue le risque d'une électrocution.*
- 3. Sécurité des personnes**
- a) **Soyez attentif, prenez garde à ce que vous faites et soyez raisonnable en travaillant avec un outil électrique. N'utilisez pas un appareil électrique si vous êtes fatigué ou si vous vous trouvez sous l'effet de drogues, d'alcool ou de médicaments.** *Un instant d'inattention lors de l'utilisation de l'appareil électrique peut entraîner de graves blessures.*
 - b) **Utilisez l'équipement de protection individuelle. Porter toujours une protection des yeux.** *L'équipement de protection, tel que le masque anti-poussière, les chaussures de sécurité antidérapantes, le casque protecteur ou la protection auditive utilisés dans des conditions appropriées, permet de réduire les*

- dommages corporels.*
- c) **Évitez tout démarrage non intentionnel. S'assurer que le bouton marche-arrêt est en position Arrêt (Off) avant de connecter la source de courant et/ou la BATTERIE, de prendre et de transporter l'outil. Transporter des outils électriques avec votre doigt sur le bouton marche-arrêt ou mettre sous tension des outils électriques dont le bouton marche-arrêt est position Marche (On) peut causer des accidents.**
- d) **Avant d'allumer l'outil électrique, retirez les outils de réglage ou les clés. Un outil ou une clé se trouvant dans un élément tournant de la machine peut entraîner des blessures.**
- e) **Évitez une posture anormale. Ayez un appui stable et gardez l'équilibre en permanence. Vous pouvez ainsi mieux contrôler l'outil électrique dans des situations imprévues.**
- f) **Portez des vêtements appropriés. Ne portez pas de vêtements amples ni de bijoux. Gardez les cheveux, les vêtements et les gants à distance des éléments mobiles. Des vêtements amples, bijoux ou longs cheveux peuvent être happés par les éléments mobiles.**
- g) **Si des dispositifs d'aspiration ou de récupération des poussières peuvent être montés, assurez-vous qu'ils sont connectés et peuvent être utilisés correctement. L'utilisation d'une aspiration des poussières peut diminuer les risques causés par la poussière.**
- h) **La familiarité acquise par l'utilisation fréquente des outils ne doit pas laisser place à la complaisance et à l'ignorance des principes de sécurité de l'outil. Une action imprudente peut causer de graves blessures en une fraction de seconde.**
- 4. Utilisation et traitement de l'outil électrique**
- a) **Ne surchargez pas l'appareil. Utilisez l'outil électrique adapté à votre application. Vous travaillez mieux et de manière plus sûre avec un outil électrique approprié dans la gamme de puissance indiquée.**
- b) **N'utilisez pas un outil électrique avec un interrupteur défectueux. Un outil électrique qui ne peut plus être allumé ou éteint est dangereux et doit être réparé.**
- c) **Débranchez la fiche de la source électrique et / ou retirez la batterie de l'outil électrique, si elle est amovible, avant de procéder à des ajustements, remplacer des accessoires ou ranger les outils électriques. De telles mesures préventives réduisent le risque de démarrage accidentel de l'outil électrique.**
- d) **Conservez les outils électriques non utilisés hors la portée des enfants. Ne permettez pas aux personnes qui ne sont pas familiarisées avec cet appareil ou qui n'ont pas lu ces instructions de l'utiliser. Les outils électriques sont dangereux lorsqu'ils sont utilisés par des personnes inexpérimentées.**
- e) **Entretenez les outils électriques et les accessoires. Vérifiez la dérive d'alignement ou l'attache des pièces mobiles, la rupture des pièces et s'assurer qu'aucun autre problème peut affecter le bon fonctionnement de l'outil électrique. Faire réparer l'outil endommagé avant l'utilisation. De nombreux accidents sont dus au mauvais entretien des outils électriques.**
- f) **Maintenez vos outils de coupe aiguisés et propres. Les outils de coupe aux bords tranchants bien soignés se coincent moins et sont plus aisés à guider.**
- g) **Utilisez l'outil électrique, les accessoires, les outils utilisés, etc. conformément au présent mode d'emploi. Tenez compte des conditions de travail et de l'activité à réaliser. L'utilisation des outils électriques pour des usages autres que prévus peut entraîner des situations dangereuses.**
- h) **Gardez les poignées et les surfaces de prise sèches, propres et exemptes d'huile et de graisse. Les poignées et surfaces de prise glissantes ne permettent pas d'effectuer une manipulation et un contrôle de l'outil en toute sécurité dans des situations imprévues.**
- 5. Utilisation et traitement de l'outil sans fil**
- a) **Chargez les batteries uniquement dans les chargeurs recommandés par le fabricant. L'utilisation d'un chargeur pour des batteries non appropriées présente un risque d'incendie.**
- b) **Utilisez dans les outils électriques uniquement les batteries prévues à cet effet. L'utilisation d'autres batteries peut entraîner des blessures et le risque d'incendie.**
- c) **Conservez la batterie non utilisée à distance des trombones, pièces de monnaie, clés, clous, vis ou autres menus objets en métal susceptibles de provoquer un**

pontage des contacts. *Un court-circuit entre les contacts de la batterie peut entraîner des brûlures ou le feu.*

- d) **En cas d'utilisation incorrecte, un liquide peut s'échapper de la batterie. Ne le touchez pas. Rincez à l'eau en cas de contact fortuit. Si le liquide entre en contact avec les yeux, consultez également le médecin.** *Le liquide s'échappant de la batterie peut causer des irritations cutanées ou des brûlures.*
- e) **Ne pas utiliser une BATTERIE ou un outil endommagé(e) ou modifié(e).** *Les batteries endommagées ou modifiées peuvent agir de manière imprévisible et donner lieu à un incendie, une EXPLOSION ou un risque de blessure.*
- f) **Ne pas exposer une BATTERIE ou un outil au feu ou à une température excessive.** *Une exposition au feu ou à une température supérieure à 266°F (130°C) peut causer une explosion.*
- g) **Suivre toutes les instructions de charge et ne pas charger la BATTERIE ou l'outil en dehors de la gamme de température spécifiée dans les instructions.** *Un mauvais chargement ou un chargement à des températures en dehors de la gamme spécifiée peut endommager la BATTERIE et augmenter les risques d'incendie.*
- 6. Service**
- a) **Faites réparer votre outil électrique uniquement par des spécialistes qualifiés et uniquement avec des pièces de rechange d'origine.** *Cela garantit le maintien de la sécurité de l'outil électrique.*
- b) **Ne jamais entretenir des BATTERIES endommagées.** *L'entretien des BATTERIES doit être effectué uniquement par le fabricant ou par des prestataires de service autorisés.*

Consignes spécifiques de sécurité

Nous construisons chaque batterie avec le plus grand soin possible pour pouvoir vous transmettre les batteries avec la densité énergétique, la durabilité et la sécurité maximales. Les cellules de batterie sont munies de dispositifs de sécurité de plusieurs niveaux. Chaque cellule individuelle est d'abord formatée, et leurs courbes caractéristiques sont enregistrées. Ensuite, ces données sont utilisées pour pouvoir regrouper les meilleures batteries possible.

Malgré toutes les mesures de sécurité, il faut toujours être prudent en maniant les

batteries. Les points suivants doivent être impérativement respectés pour assurer le fonctionnement sûr.

Le fonctionnement sûr n'est possible qu'avec des cellules intactes ! Une manipulation incorrecte endommage les cellules.

Attention ! Des analyses confirment que l'utilisation gravement inappropriée et des soins incorrects constituent la cause principale des dommages dus aux batteries haute performance.

Consignes concernant les batteries

1. La batterie de l'appareil sans fil n'est pas chargée à la livraison. Par conséquent, la batterie doit être chargée avant la première mise en service.
2. Évitez des cycles de décharge à plat pour garantir la performance maximale de la batterie ! Chargez souvent votre batterie.
3. Conservez votre batterie au frais, au mieux à 59 °F (+15 °C), et chargée d'au moins à 40%.
4. Les batteries Lithium-Ion sont sujettes au vieillissement naturel. La batterie doit être remplacée au plus tard lorsque la capacité de la batterie ne correspond plus qu'à 80 % de l'état neuf. Les cellules affaiblies dans une batterie vieillie ne tiennent plus la tête aux exigences élevées en terme de performance et présentent ainsi un risque de sécurité.
5. Ne jetez pas les batteries usées dans le feu ouvert. Risque d'explosion !
6. Ne pas allumer la batterie et ne pas l'exposer à la combustion.
7. **Ne pas décharger complètement la batterie !** La décharge complète endommage les cellules de la batterie. La cause la plus fréquente de la décharge complète de la batterie constitue un stockage ou non-utilisation prolongés des batteries à moitié chargées. Terminez l'opération dès que la puissance diminue visiblement ou la protection électronique réagit. Ne conservez la batterie que complètement chargée.
8. **Protéger les batteries et l'appareil contre la surcharge !** Une surcharge provoque rapidement la surchauffe et l'endommagement des cellules à l'intérieur du boîtier de batterie, sans que cela puisse se voir de l'extérieur.
9. **Évitez les détériorations et les chocs !** Remplacez sur-le-champ les batteries ayant chuté d'une hauteur de plus d'un mètre ou ayant été exposées à des coups violents, même si le boîtier de la batterie semble intact.

Les cellules de la batterie peuvent être sérieusement endommagées à l'intérieur. Respectez à cet égard également les consignes d'élimination.

10. En cas de surcharge et de surchauffe, le circuit de protection intégré éteint l'appareil pour des raisons de sécurité.
Attention ! N'actionnez plus l'interrupteur marche / arrêt lorsque le circuit de protection a éteint l'appareil. Cela peut endommager la batterie.
11. N'utilisez que des batteries d'origine. L'utilisation d'autres batteries peut entraîner des blessures, une explosion et le risque d'incendie.
12. **Protégez votre batterie de l'humidité, de la pluie et de l'humidité de l'air élevée.** L'humidité, la pluie et l'humidité de l'air élevée peuvent endommager dangereusement les cellules. En aucun cas, ne chargez ni ne travaillez avec la batterie qui a été exposée à l'humidité, à la pluie ou à l'humidité de l'air élevée – remplacez-les immédiatement !
13. Si votre appareil est équipé d'une batterie amovible, retirez-la de votre appareil à la fin de votre travail pour des raisons de sécurité.

Consignes concernant le chargeur et la charge

1. Tenez compte des informations indiquées sur la plaque signalétique du chargeur. Raccordez le chargeur uniquement à la tension d'alimentation indiquée sur la plaque signalétique.
2. Protégez le chargeur et le fil contre l'endommagement et les bords coupants. Les câbles endommagés doivent être immédiatement remplacés par un électricien.
3. Protéger le chargeur, les batteries et l'appareil sans fil contre les enfants.
4. Ne pas utiliser des chargeurs endommagés.
5. N'utilisez pas le chargeur fourni pour charger d'autres appareils sans fil.
6. En cas de forte sollicitation, la batterie se réchauffe. Laissez refroidir la batterie à la température ambiante avant le chargement.
7. **Ne pas surcharger les batteries !** Respectez les durées maximales du chargement. Ces durées de chargement s'appliquent uniquement aux batteries déchargées. Le branchement répété d'une batterie chargée ou partiellement chargée entraîne la surcharge et l'endommagement des cellules. Ne pas laisser les batteries insérées dans le chargeur pendant plus que 48 heures.

8. **N'utilisez ni chargez pas les batteries que vous supposez avoir été chargées pour la dernière fois depuis plus de 12 mois.** Il est hautement probable que la batterie est déjà dangereusement endommagée (déchargement complet).
9. Un chargement à une température inférieure à 50 °F (10 °C) entraîne une détérioration chimique de la cellule et peut provoquer un incendie.
10. N'utilisez pas de batteries qui se sont réchauffées pendant le chargement, car les cellules de la batterie pourraient être dangereusement endommagées.
11. N'utilisez plus les batteries qui se sont bombées ou déformées pendant le chargement ou qui présentent des symptômes inhabituels (dégazage, sifflement, grésillement, ...).
12. Ne déchargez pas complètement la batterie (déchargement maximal recommandé max. 80 %). Le déchargement complet entraîne un vieillissement précoce des cellules de la batterie.
13. Ne chargez jamais les batteries sans surveillance !

Protection contre l'impact environnemental

1. Portez des vêtements de travail appropriés. Porter des lunettes de protection.
2. **Protégez votre appareil sans fil et le chargeur contre l'humidité et la pluie.** L'humidité et la pluie peuvent entraîner des endommagements dangereux des cellules.
3. Ne pas utiliser l'appareil sans fil et le chargeur dans un espace contenant des vapeurs et des liquides combustibles.
4. Utilisez le chargeur et les appareils sans fil uniquement en état sec et à une température ambiante de 50-104 °F (10-40 °C).
5. Ne conservez pas la batterie dans des endroits où la température peut être supérieure à 104 °F (40 °C), en particulier dans un véhicule garé au soleil.
6. **Protégez les batteries contre la surchauffe !** Une surcharge, un chargement excessif ou le rayonnement solaire entraînent la surchauffe et détériorent les cellules. Ne chargez ni travaillez en aucun cas avec les batteries qui ont été surchauffées, remplacez-les sans tarder.
7. **Conservation des batteries, des chargeurs et de l'appareil sans fil.** Conservez le chargeur et votre appareil sans fil uniquement dans des locaux secs à une température ambiante de 50-104 °F (10-40 °C).

- Conservez la batterie Lithium-Ion au frais et au sec à 50-68 °F (10-20 °C). Protégez contre l'humidité de l'air et le rayonnement solaire direct ! Conservez les batteries uniquement en état chargé (au moins 40 % de charge).
- Empêchez que la batterie Lithium-Ion gèle. Les batteries qui ont été conservées plus de 60 minutes au-dessous de 32 °F (0 °C) doivent être éliminées.
 - Attention lors de la manipulation des batteries en rapport avec la charge électrostatique : les décharges électrostatiques endommagent la protection électronique et les cellules de la batterie ! Par conséquent, évitez les décharges électrostatiques et ne touchez jamais les pôles de la batterie !

Mise en garde concernant les batteries et informations sur leur élimination

Élimination

Si votre outil doit être remplacé après une période d'utilisation prolongée, ne le jetez pas avec les ordures ménagères, mais éliminez-le d'une manière respectueuse pour l'environnement.



Les déchets produits par les éléments d'un outil ou d'une machine électrique ne doivent pas être traités comme des déchets ménagers. Veuillez les recycler dans les installations prévues à cet effet.

Pour obtenir des conseils sur le recyclage, communiquez avec les services publics locaux ou avec votre revendeur.

Éliminez toujours les batteries en vous conformant aux réglementations fédérales, provinciales ou territoriales et locales.

Communiquez avec un organisme de recyclage de votre région pour obtenir la liste des sites de recyclage.

⚠ MISE EN GARDE! Même déchargée, une batterie emmagasine une certaine énergie. Avant de l'éliminer, utilisez du ruban isolant pour couvrir les bornes et empêcher ainsi la batterie de provoquer un court-circuit, ce qui pourrait causer un incendie ou une explosion.

⚠ AVERTISSEMENT! Pour réduire le risque de blessure ou d'explosion, ne jamais brûler ou incinérer une batterie, même si elle est endommagée, à plat ou complètement déchargée. En brûlant, des vapeurs et des matières toxiques sont émises dans l'atmosphère environnante.

- Les batteries varient selon le type d'outils ou de machines. Consulter le manuel pour des

- renseignements spécifiques.
- Le cas échéant, insérez uniquement des batteries neuves de même type dans l'outil ou la machine.
 - Si, en l'insérant, la polarité de la batterie n'est pas respectée, comme indiqué dans le compartiment à batterie ou dans le manuel, sa durée de vie pourrait être réduite ou elle pourrait fuir.
 - Ne pas mélanger des batteries anciennes et des neuves.
 - Ne pas mélanger des batteries alcalines, standard (carbone/zinc) ou rechargeables (au nickel-cadmium, au nickel-métal-hydrure ou au lithium-ion).
 - Ne jeter aucune batterie au feu. Les cellules de batterie peuvent exploser.
 - Les batteries doivent être recyclées ou éliminées en observant les directives provinciales ou territoriales et locales.

Pour expédier ou éliminer les batteries ou l'appareil sans fil, veillez à ce qu'ils soient emballés individuellement dans un sac en plastique pour empêcher les courts-circuits ou les incendies !

Consignes de sécurité d'ordre général et protection contre les accidents

Seul le fait de lire complètement les consignes de sécurité et ce mode d'emploi et d'en respecter les consignes peut vous assurer un travail sans accident et sans risque avec la laveuse haute pression.

- ⚠ Avertissement!** N'employez pas l'appareil lorsque d'autres personnes ou des animaux se trouvent à sa portée, à moins que ceux-ci n'aient des habits de protection.
- ⚠ Avertissement !** Les jets d'eau peuvent être dangereux en cas d'utilisation non conforme. Le jet ne doit pas être dirigé sur des personnes, des animaux, des équipements électriques en fonctionnement ou sur l'appareil lui-même.
- ⚠ Avertissement !** Ne dirigez pas le jet sur vous-même ni sur d'autres personnes dans l'intention de nettoyer les habits ou les chaussures.
- ⚠ Avertissement !** L'appareil ne doit pas être exploité par des enfants ou par des personnes non instruites.
- ⚠ Avertissement !** Pour assurer la sécurité de l'appareil, n'utilisez que des pièces de rechange originales du fabricant ou des pièces dûment autorisées par le fabricant.

- **Portez une tenue de travail appropriée.**
- **L'appareil ne doit pas être utilisé lorsqu'il a fait une chute, lorsqu'il présente des dommages visibles ou lorsqu'il n'est pas étanche.**
- **Vérifiez le bon fonctionnement de l'appareil.** En cas de dysfonctionnement, faites vérifier l'appareil. Tous les travaux de maintenance et d'inspection doivent uniquement être effectués par un spécialiste en électricité.
- **Le jet d'eau sortant au niveau de la buse provoque un recul du pistolet.** Faites en sorte d'avoir une position stable et tenez bien le pistolet. Portez un équipement de protection adapté pour vous protéger des pièces projetées.
- **Le jet d'eau peut endommager les pneus de véhicules et éléments de pneus.** Maintenez une distance d'au moins 30 cm (11-3/4") lors du nettoyage.
- **La pompe électrique doit être continuellement alimentée d'eau en quantité suffisante.** Le fonctionnement à sec entraîne des dommages importants des joints.

L'appareil ne doit pas être utilisé par les enfants. Surveillez les enfants afin de vous assurer qu'ils ne jouent pas avec l'appareil.

Conservez l'appareil hors de portée des enfants lorsqu'il est allumé ou en cours de refroidissement.

AVERTISSEMENT ! Lors de l'utilisation de ce produit, des précautions de base doivent toujours être suivies, notamment les suivantes :

1. Lisez toutes les instructions avant d'utiliser le produit.
2. Pour réduire le risque de blessure, une surveillance étroite est nécessaire lorsqu'un produit est utilisé à proximité d'enfants.
3. Il est important de savoir comment arrêter le produit et purger rapidement les pressions. Familiarisez-vous parfaitement avec les commandes.
4. Restez vigilant – surveillez ce que vous faites.
5. N'utilisez pas le produit lorsque vous êtes fatigué ou sous l'influence d'alcool ou de drogues.
6. Maintenez la zone d'opération à l'écart de toute personne.
7. Ne vous penchez pas trop ou ne vous tenez pas debout sur un support instable. Gardez une bonne assise et un bon équilibre à tout moment.
8. Suivez les instructions d'entretien spécifiées dans le manuel.
9. Risque de blessure – ne dirigez pas le jet de décharge vers des personnes.
10. Ne vaporisez pas d'appareils électriques et du fillage.
11. Lisez tous les avertissements et instructions de sécurité. Le non-respect des avertissements et des instructions peut entraîner un choc électrique, un incendie et/ou des blessures graves.
12. Empêchez tout démarrage involontaire. Assurez-vous que l'interrupteur est en position d'arrêt avant de brancher la batterie, de ramasser ou de transporter l'appareil. Le transport de l'appareil avec votre doigt sur l'interrupteur ou l'alimentation de l'appareil dont l'interrupteur est activé peut provoquer des accidents.
13. Débranchez la batterie de l'appareil avant d'effectuer tout réglage, de changer d'accessoire ou de ranger l'appareil. Ces mesures de sécurité préventives réduisent le risque de démarrage accidentel de l'appareil.
14. Rechargez uniquement avec le chargeur spécifié par le fabricant. Un chargeur adapté à un type de batterie peut créer un risque d'incendie lorsqu'il est utilisé avec une autre batterie.
15. N'utilisez les appareils qu'avec des batteries spécifiquement désignées. L'utilisation de toute autre batterie peut créer un risque de blessure et d'incendie.
16. Lorsque la batterie n'est pas utilisée, tenez-la à l'écart d'autres objets métalliques, tels que des trombones, des pièces de monnaie, des clés, des clous, des vis ou d'autres petits objets métalliques, qui peuvent établir une connexion d'une borne à une autre. Court-circuiter les bornes de la batterie peut provoquer des brûlures ou un incendie.
17. Dans des conditions abusives, du liquide peut être éjecté de la batterie ; évitez les contacts. En cas de contact accidentel, rincer à l'eau. Si le liquide entre en contact avec les yeux, consultez également un médecin. Le liquide éjecté de la batterie peut provoquer des irritations ou des brûlures.
18. N'utilisez pas une batterie ou un appareil endommagé ou modifié. Les batteries endommagées ou modifiées peuvent présenter un comportement imprévisible entraînant un incendie, une explosion ou un risque de blessure.
19. N'exposez pas une batterie ou un appareil au

feu ou à une température excessive. L'exposition au feu ou à une température supérieure à 130°C (265°F) peut provoquer une explosion.

20. Suivez toutes les instructions de charge et ne chargez pas la batterie ou l'appareil en dehors de la gamme de température spécifiée dans les instructions. Une charge incorrecte ou à des températures en dehors de la gamme spécifiée peut endommager la batterie et augmenter le risque d'incendie.
21. Faites effectuer l'entretien par un réparateur qualifié utilisant uniquement des pièces de rechange identiques. Cela garantira que la sécurité du produit est maintenue.
22. Ne modifiez pas ou n'essayez pas de réparer l'appareil ou la batterie (selon le cas) sauf comme indiqué dans les instructions d'utilisation et d'entretien.

CONSERVEZ CES INSTRUCTIONS

2. Description de l'appareil et contenu de l'emballage

2.1 Description de l'appareil

1. Bouton de déverrouillage du levier de déclenchement
2. Levier de détente
3. Poignée
4. Touche Eco
5. L'alimentation en eau
6. Rallonge A
7. Rallonge B
8. Bouteille de détergent
9. Embout de buse
10. Boyau d'aspiration
11. Filtre du boyau d'aspiration
12. Sac de transport
13. Régulateur de détergent
14. Raccord rallonge/buse
15. Poids
16. Raccord pour filtre
17. Protecteur de batterie PXC
18. Protection contre les éclaboussures
19. Batterie au Lithium-Ion (non inclus)
20. Raccord pour de l'alimentation en eau
21. L'adaptateur de raccord de tuyau
22. Touche d'arrêt
23. Témoin de charge de la batterie
24. Bouton de témoin de charge de la batterie

2.2 Contenu d'emballage

Veillez contrôler l'intégralité de l'article au moyen du contenu d'emballage décrit. En cas de pièces manquantes, veuillez contacter notre centre de service à la clientèle ou le point de vente où vous avez acheté l'appareil au plus tard dans les 5 jours ouvrables à compter de l'achat de l'article en présentant un ticket de caisse valable.

- Ouvrez l'emballage et retirez prudemment l'appareil.
- Enlevez le matériau d'emballage ainsi que les sécurités d'emballage et de transport (le cas échéant).
- Vérifiez l'intégralité du contenu d'emballage.
- Vérifiez si l'appareil et les accessoires présentent des dommages dus au transport.
- Si possible, conservez l'emballage jusqu'à l'expiration de la durée de garantie.

Danger !

L'appareil et le matériau d'emballage ne sont pas un jouet ! Les enfants ne doivent pas jouer avec des sachets en plastique, des films ou de petites pièces ! Il existe le risque d'ingestion et de suffocation !

- Raccord
- Embout de buse
- 2x Rallonge
- Bouteille de détergent
- Boyau d'aspiration
- Filtre du boyau d'aspiration
- Poids
- L'adaptateur de raccord de tuyau
- Protecteur de batterie PXC
- Mode d'emploi d'origine avec consignes de sécurité

Accessoires disponibles séparément

- 18V 1,5Ah PXC batterie Lithium-Ion
- 18V 2,0Ah PXC batterie Lithium-Ion
- 18V 2,5Ah PXC batterie Lithium-Ion
- 18V 3,0Ah PXC batterie Lithium-Ion
- 18V 4,0Ah PXC batterie Lithium-Ion
- 18V 3,0Ah PXC Plus batterie Lithium-Ion
- 18V 4,0Ah PXC Plus batterie Lithium-Ion
- 18V 5,2Ah PXC Plus batterie Lithium-Ion
- 18V 4,0Ah/6,0Ah PXC Plus batterie Lithium-Ion
- 18V 5,0Ah/8,0Ah PXC Plus batterie Lithium-Ion
- 18V PXC chargeur rapide à double raccord
- 18V PXC chargeur rapide

Contactez votre détaillant pour les modèles plus spécifiques de batteries et de chargeurs disponibles dans votre région. Vous pouvez également explorer les options de batterie + chargeur sur Einhell.com.

3. Utilisation conforme


L'appareil est destiné à l'utilisation dans le domaine privé pour le nettoyage des véhicules, des machines, des bâtiments, des façades, etc.

La machine ne doit être utilisée que conformément à sa destination. Toute autre utilisation dépassant ce cadre n'est pas conforme. C'est l'utilisateur / l'opérateur qui est responsable de tous les dommages ou blessures de toute nature en résultant et non pas le fabricant.

Veillez noter que nos appareils n'ont pas été conçus pour une utilisation commerciale, artisanale ou industrielle. Nous n'accordons aucune garantie si l'appareil est utilisé dans des entreprises commerciales, artisanales ou industrielles ou pour des activités équivalentes.

Cette machine ne doit pas être utilisée par des personnes (y compris les enfants) ayant des capacités physiques, sensorielles ou mentales diminuées ou manquant d'expérience et de connaissances.

4. Caractéristiques techniques

Alimentation électrique du moteur: 18V 
 Pression maximale:24 Bar (348 lb/po²)
 Débit maximum par minute: .3,78 l/min (1,0 GPM)
 Pression d'entrée d'eau max.:...5 Bar (72,5 lb/po²)
 Température
 d'entrée d'eau: 5°C - 40°C (41°F - 104°F)
 Poids (outil seulement):.....2,1 kg (4,6 lb)

Portez une protection auditive.

Le bruit peut provoquer une perte d'acuité auditive.

Limitez à un minimum l'émission de bruit et les vibrations !

- Utilisez uniquement des appareils irréprochables.
- Entretenez et nettoyez l'appareil régulièrement.

- Adaptez votre méthode de travail à l'appareil.
- Ne surchargez pas l'appareil.
- Faites examiner l'appareil le cas échéant.
- Éteignez l'appareil lorsqu'il n'est plus utilisé.
- Portez des gants.

Attention !

Risques résiduels

Il existe toujours des risques même si vous vous servez correctement de cet outil électrique. Les risques suivants peuvent se produire en rapport avec la structure et la réalisation de cet outil électrique :

1. Lésions pulmonaires, si vous ne portez pas de masque anti-poussières approprié.
2. Lésions auditives, si vous ne portez pas de protection auditive appropriée.
3. Dommages pour la santé résultant des vibrations mains-bras, si votre appareil est utilisé d'une manière prolongée ou tenu et entretenu de manière incorrecte.

Limitez la durée de travail.

À cet égard, toutes les parties du cycle de fonctionnement doivent être respectées (par exemple, les périodes pendant lesquelles l'outil électrique est éteint et celles pendant lesquelles il reste allumé mais fonctionne sans charge).

5. Avant la mise en service

Prudence !

Protégez votre batterie de l'humidité, de la pluie et d'une humidité de l'air élevée. Veillez à ce qu'aucune eau ne coule sur la batterie ou ses contacts pendant le fonctionnement.

Utilisez le protecteur de batterie PXC (17) fourni. Insérez d'abord la batterie dans votre appareil PXC (fig. 3). Veillez à ce que les contacts sur l'appareil et sur la batterie soient secs. Tirez maintenant le protecteur de batterie PXC (17) au-dessus de la batterie (fig. 4). Veillez à ce que le protecteur de batterie PXC ne soit pas endommagé, soit fixé correctement et étanchéifie chaque surface de contact sur l'appareil. Commencez toujours par retirer le protecteur de batterie PXC avant d'enlever la batterie de l'appareil.

Avertissement !

Retirez systématiquement la batterie avant de paramétrer l'appareil.

5.1 Utilisation correcte de l'appareil

- L'appareil doit être placé sur une surface plane et sûre.
- À chaque actionnement de la machine, il est recommandé de respecter la position de commande correcte : une main sur le pistolet et la seconde main sur la lance.
- Le jet d'eau ne doit jamais être dirigé sur les conduites électriques ou sur la machine.
- Pour éviter que la pompe ne s'endommage à l'arrêt, une légère perméabilité de celle-ci est normale.
- La machine ne doit en aucun cas être utilisée dans des pièces exposées à un danger d'explosion.
- La température de travail doit être comprise entre +5°C (41°F) et + 40°C (104°F).
- Il est interdit de recouvrir ou de modifier la lance ou les buses.
- L'appareil est conçu pour fonctionner avec de l'eau froide ou moyennement chaude (max. 40°C (104°F)), des températures plus élevées entraînent des dommages sur la pompe.
- L'eau entrant dans la machine ne doit pas être sale, elle ne doit pas contenir de sable ni être polluée avec des produits chimiques, cela pourrait entraîner une altération du fonctionnement et raccourcir la durée de vie de la machine.

Avertissement – Risque d'explosion !

Ne pulvérisez pas de liquides inflammables.

Avertissement

L'eau qui est passée par un clapet de non-retour, n'est pas considérée comme potable.

Avertissement

Si du produit nettoyant entre en contact avec la peau ou les yeux, rincez immédiatement et abondamment avec de l'eau propre. Consultez ensuite un médecin ou suivez les indications de la fiche de données de sécurité ou du fabricant de détergent.

5.2 Montage

Montage des rallonges/buses (Fig. 5-8)

Important !

Seule la rallonge A (6) peut être montée sur le pistolet.

Montez d'abord la rallonge A (6) sur le connecteur (14) comme indiqué à la Fig. 5. Tournez-la dans le sens horaire jusqu'à ce que la rallonge s'enclenche. Ensuite, vous devez verrouiller la rallonge en tournant le verrou de fixation comme indiqué à la Fig. 5/pos. 2. La rallonge B (7) doit être connectée à la rallonge A (6) de la même manière en la tournant dans le sens horaire et en la verrouillant avec le verrou de fixation (Fig. 6/pos. 2). Vous pouvez maintenant pousser les accessoires (bouteille de détergent, buse) dans la rallonge (B) et fixez-les en tournant dans le sens horaire.

Important! Vérifiez que les accessoires et rallonges A et B sont bien fixés avant de commencer le nettoyage.

Buse

En tournant la buse (9) dans le sens horaire (Fig. 5/Pos. 9), vous pouvez changer la forme du jet d'eau d'un cône solide à un éventail plat étroit, un éventail plat large ou une rotation (Fig. 7).

Bouteille de détergent avec conteneur

Ouvrez la buse de la bouteille de détergent (Fig. 6) en la tournant, puis remplissez la bouteille de détergent. Vous pouvez sélectionner la quantité de détergent en tournant le régulateur de détergent (13).

5.3 Connexion de l'eau d'entrée (Fig. 9-11)

Le raccord pour l'eau d'entrée (5) est équipé d'un connecteur (20) pour les systèmes de raccord de boyau standard. Vissez l'adaptateur de raccord de boyau GHT de 3/4" (21) sur le boyau d'arrosage. Branchez l'adaptateur de raccord (21) au connecteur d'entrée d'eau (20).

Attention! La protection anti-éclaboussures (18) protège la batterie contre les projections d'eau et doit donc toujours être utilisée. La protection anti-éclaboussures (18) doit être montée entre le raccord pour l'eau d'entrée (5) et le connecteur (20).

Avertissement!

Un clapet anti-retour doit être installé entre l'eau potable et l'outil ! Demandez à votre plombier local à ce sujet.

Pour utiliser de l'eau d'un récipient, utilisez toujours le boyau d'aspiration (10) et le filtre du boyau d'aspiration (11) comme indiqué à la Fig. 11. Branchez le boyau d'aspiration (10) au connecteur (20). Attention! La protection anti-éclaboussures (18) protège la batterie contre les projections d'eau et doit donc toujours être utilisée. La protection anti-éclaboussures (18) doit être montée entre le raccord pour l'eau d'entrée (5) et le connecteur (20).

6. Fonctionnement

6.1 Chargement de la batterie au Lithium-Ion (non inclus)

Vous trouverez les instructions correspondantes dans le mode d'emploi d'origine de votre chargeur.

6.2 Affichage de la capacité de la batterie (image 13/Pos. 23)

Appuyez sur l'interrupteur de l'affichage de la capacité de la batterie (24). L'affichage de la capacité de la batterie (23) signale l'état de charge de la batterie au moyen de 3 DEL.

Les 3 DEL s'allument:

La batterie est complètement chargée.

2 ou 1 DEL s'allument:

La batterie a une charge résiduelle suffisante.

1 DEL clignote:

La batterie est déchargée, chargez la batterie.

Tous les voyants clignotent :

La température de la batterie est trop basse. Retirez la batterie de l'appareil, laissez-la à température ambiante pendant une journée. Si le défaut se reproduit, cela signifie que la batterie rechargeable a subi une décharge complète et est défectueuse. Retirez la batterie de l'équipement. N'utilisez ou ne chargez jamais une batterie défectueuse.

6.3 Utilisation pour la première fois

Une fois que vous avez complètement assemblé l'outil et effectué toutes les connexions nécessaires, vous pouvez procéder comme suit : Ouvrez l'arrivée d'eau. Appuyez sur le bouton de déverrouillage du levier de déclenchement (Fig. 1/Pos. 1) de la laveuse à pression pour déverrouiller la gâchette et l'interrupteur de la poignée.

Appuyez sur l'interrupteur de la poignée (Fig. 1/ pos. 3) afin que l'air encore présent à l'intérieur de l'outil puisse s'échapper. Actionnez maintenant simultanément la gâchette (2) et l'interrupteur de la poignée (3) pour commencer le nettoyage. Pour éteindre, vous devez relâcher la gâchette (2). L'outil passera alors en mode veille. Dès que vous appuyez sur la gâchette (2), l'outil redémarre. Vous pouvez choisir entre deux niveaux de pression en appuyant sur le bouton Eco (Fig. 12 / Pos. 4).

7. Nettoyage et entretien

Danger !

Avant tout travail de nettoyage, retirez la batterie de l'appareil.

7.1 Nettoyage

- Maintenez les dispositifs de protection, les fentes d'aération et les carters de moteur aussi exempt de poussières et de saletés que possible. Frottez l'appareil avec un linge propre et nettoyez-le à l'air comprimé à basse pression.
- Nous recommandons de nettoyer l'appareil directement après chaque utilisation.
- Nettoyez l'appareil régulièrement avec un linge humide et un peu de savon doux. N'utilisez pas de détergeant ni de solvants ; ils peuvent détériorer les éléments en plastique de l'appareil. Veillez à ce que l'eau ne puisse pas pénétrer à l'intérieur de l'appareil. La pénétration de l'eau dans un appareil électrique augmente le risque d'une électrocution.
- Utilisez des détergents conçus pour les laveuses à pression. Les quincailleries ou les centres de rénovation proposent également des détergents pour laveuses à pression pour différents projets de nettoyage. La solution de nettoyage doit avoir la consistance de l'eau afin d'éviter de boucher la bouteille et la buse de détergent.

7.2 Entretien

Vérification du filtre de boyau d'aspiration

Nettoyez le filtre d'aspiration périodiquement afin d'éviter qu'il ne se bouche, ce qui pourrait altérer le bon fonctionnement de la pompe. Dévissez le raccord (16) du filtre du boyau d'aspiration (11) et nettoyez le tamis d'entrée sous l'eau courante.

Arrêt prolongé de la pompe électrique

La machine devrait être complètement vidée de son eau après chaque utilisation. Allumez l'appareil sans que l'alimentation en eau ne soit raccordée et appuyez sur le levier de détente (2) (max. 1 min) jusqu'à ce qu'il n'y ait plus d'eau qui sorte. Éteignez ensuite l'appareil.

Lorsque l'appareil n'a pas été employé pendant une période prolongée, des dépôts de calcaire commenceront à se former dans la pompe électrique ; ceux-ci peuvent entraîner des difficultés de démarrage.

Nettoyage de la buse (fig. 7)

Pour nettoyer une buse bouchée, utilisez par exemple, une épingle de sécurité.

Une réimpression ou toute autre reproduction de la documentation et des documents accompagnant les produits, même par extraits, ne sont autorisées qu'avec accord exprès d'Einhell Germany AG.

Sous réserve des modifications techniques.

8. Élimination et recyclage

L'appareil se trouve dans un emballage pour empêcher les dommages dus au transport. Cet emballage constitue une matière première et peut par conséquent être réutilisé ou peut être recyclé. L'appareil et ses accessoires sont fabriqués à partir de différents produits, comme par exemple le métal et les matières plastiques. Ne jetez pas les appareils défectueux dans les déchets ménagers. Pour être éliminé de façon appropriée, l'appareil devrait être déposé à un lieu de collecte approprié. Si vous ne connaissez aucun lieu de collecte, informez-vous auprès de l'administration municipale.

9. Entreposage

Entreposez l'appareil et ses accessoires dans un endroit sombre, sec et exempt de gel ainsi que hors la portée des enfants. La température d'entreposage optimale se situe entre 5 °C et 30 °C (41 °F et 86 °F). Entreposez l'outil électrique dans l'emballage d'origine. Videz la laveuse à pression de l'excès d'eau avant de la ranger et ne la laissez pas geler.

10. Guide de dépannage

Problème	Cause probable	Solution
L'appareil ne fonctionne pas.	<ul style="list-style-type: none"> - Pas de tension électrique sur l'appareil. - Pompe gelée. 	<ul style="list-style-type: none"> - Batterie non chargée. - Branchement incorrect de la batterie. - Vérifiez et décongelez si nécessaire.
Le moteur fonctionne, mais il n'y a pas de pression.	<ul style="list-style-type: none"> - Filtre d'aspiration d'eau bouché. - Aspiration d'air dans l'alimentation en eau. - Buse de sortie trop grande. - Robinet d'eau fermé. 	<ul style="list-style-type: none"> - Nettoyez le filtre d'aspiration d'eau. (voir 7.2) - Vérifiez le boyau d'alimentation et les raccords de boyau, remplacez-les le cas échéant. - Vérifiez et remplacez si nécessaire. - Ouvrez le robinet d'eau.
Pression de service irrégulière.	<ul style="list-style-type: none"> - Aspiration d'air dans l'alimentation en eau. 	<ul style="list-style-type: none"> - Vérifiez le boyau d'alimentation et les raccords de boyau, remplacez-les le cas échéant.



Peligro! - Leer el manual de instrucciones para reducir cualquier riesgo de sufrir daños



Cuidado! Usar protección para los oídos. La exposición al ruido puede ser perjudicial para el oído.



Cuidado! Llevar gafas de protección. Durante el trabajo, la expulsión de chispas, astillas, virutas y polvo por el aparato pueden provocar pérdida de vista.



¡Aviso! Los chorros de agua pueden ser peligrosos si se hace un uso inapropiado. Bajo ningún pretexto se dirigirá el chorro a personas, animales, equipo eléctrico activo o al propio aparato.



Esta máquina no está diseñada para conectarse a la red de agua potable sin un dispositivo antirretorno (véase 5.3)



Proteger el aparato de la humedad.



Almacenamiento de las baterías sólo en espacios secos con una temperatura ambiente de 50°F to 104°F (+10°C to +40°C). Guardar las baterías únicamente cuando estén cargadas (mín. al 40%).

Peligro!

Al usar aparatos es preciso tener en cuenta una serie de medidas de seguridad para evitar lesiones o daños. Por este motivo, es preciso leer atentamente este manual de instrucciones/advertencias de seguridad. Guardar esta información cuidadosamente para poder consultarla en cualquier momento. En caso de entregar el aparato a terceras personas, será preciso entregarles, asimismo, el manual de instrucciones/advertencias de seguridad. No nos hacemos responsables de accidentes o daños provocados por no tener en cuenta este manual y las instrucciones de seguridad.

1. Instrucciones de seguridad**Peligro!**

Lea todas las instrucciones de seguridad e indicaciones. El incumplimiento de dichas instrucciones e indicaciones puede provocar descargas, incendios y/o daños graves. **Guarde todas las instrucciones de seguridad e indicaciones para posibles consultas posteriores.**

Instrucciones generales de seguridad para herramientas eléctricas

El término de "herramienta eléctrica" que se usa en las instrucciones de seguridad se refiere a las herramientas que funcionan en red (con cable de conexión) y con batería (sin cable de conexión).

1. Seguridad en el lugar de trabajo

- a) **Mantener limpia y bien iluminada la zona de trabajo.** *Las zonas de trabajo desordenadas o sin luz pueden conllevar accidentes.*
- b) **No trabajar con este aparato eléctrico en un entorno explosivo en el que se hallen líquidos, gases o polvos inflamables.** *Las herramientas eléctricas generan chispas que pueden inflamar el polvo o los vapores.*
- c) **Mantener alejados a niños y a otras personas fuera del alcance de la herramienta eléctrica.** *Las distracciones pueden hacer perder el control sobre el aparato.*

2. Seguridad eléctrica

- a) **El enchufe del aparato eléctrico debe ser el adecuado para la toma de corriente. El enchufe no debe ser modificado de ningún modo. No emplear adaptadores de enchufe con aparatos eléctricos puestos a tierra.** *Los enchufes sin modificar y las*

tomas de corriente adecuadas reducen el riesgo de una descarga eléctrica.

- b) **Evitar el contacto corporal con superficies con toma de tierra como tubos, calefacciones, fogones y frigoríficos.** *Existe un gran riesgo de descarga eléctrica si su cuerpo se halla puesto a tierra.*
 - c) **Mantener los aparatos eléctricos alejados de la lluvia o la humedad.** *Si entra agua en el aparato eléctrico existirá mayor riesgo de una descarga eléctrica.*
 - d) **No utilizar el cable de forma inadecuada, no utilizarlo para transportar el aparato, colgarlo o retirarlo de la toma de corriente. Mantener el cable alejado del calor, aceites, cantos afilados o partes del aparato en movimiento.** *Los cables dañados o mal enrollados aumentan el riesgo de descarga eléctrica.*
 - e) **Si se trabaja con una herramienta eléctrica al aire libre, emplear sólo alargaderas que también sean adecuadas para el exterior.** *El empleo de una alargadera apropiada para trabajos en el exterior reduce el riesgo de descarga eléctrica.*
 - f) **Si no se puede evitar tener que utilizar la herramienta eléctrica en un entorno húmedo, utilizar un dispositivo de protección diferencial.** *El uso de un dispositivo de protección diferencial reduce el riesgo de sufrir una descarga eléctrica.*
- 3. Seguridad de personas**
- a) **Prestar atención al trabajo, comprobar lo que se está haciendo y proceder de forma razonable durante el trabajo de una herramienta eléctrica. No emplear la herramienta eléctrica si se está cansado o bajo la influencia de drogas, alcohol o medicamentos.** *Una mínima falta de atención durante el uso de la herramienta eléctrica puede causar lesiones graves.*
 - b) **Llevar equipo de protección personal. Llevar siempre gafas protectoras.** *El equipo de protección (como mascarilla antipolvo, calzado de seguridad antideslizante, casco o protección auditiva) usado en las condiciones adecuadas sirve para reducir las lesiones personales.*
 - c) **Prevenir un arranque no intencionado. Asegurarse de que el interruptor se encuentre en la posición OFF antes de conectar la herramienta a la fuente eléctrica y/o BATERÍA, alzarla o transportarla.** *El transporte de herramientas eléctricas con el*

dedo en el interruptor o la activación de herramientas eléctricas con el interruptor en ON puede provocar accidentes.

- d) **Retirar las herramientas de ajuste o la llave antes de conectar la herramienta eléctrica.** *Una herramienta o llave que se haya olvidado en partes giratorias del aparato puede producir lesiones.*
 - e) **Evitar trabajar en una posición corporal inadecuada. Adoptar una posición segura y mantener en todo momento el equilibrio.** *Ello permite controlar mejor la herramienta eléctrica en situaciones inesperadas.*
 - f) **Llevar ropa de trabajo adecuada. No llevar ropa holgada ni joyas durante el trabajo. Mantener el cabello, la ropa y los guantes alejados de las piezas en movimiento.** *La ropa holgada, las joyas o los cabellos largos pueden ser atrapados por las piezas en movimiento.*
 - g) **Si el aparato permite instalar dispositivos de aspiración y recogida del polvo, es preciso asegurarse de que estén conectados y se empleen de forma correcta.** *La utilización de un aspirador de polvo puede reducir los peligros provocados por el mismo.*
 - h) **A pesar de estar muy familiarizado con el uso de las herramientas, no confiarse en exceso ni ignorar las normas de seguridad de la herramienta.** *Un descuido puede conllevar una lesión grave en milésimas de segundo.*
- 4. Empleo y tratamiento de la herramienta eléctrica**
- a) **No sobrecargar el aparato. Usar la herramienta eléctrica específica para cada trabajo.** *Con la herramienta eléctrica adecuada se trabaja mejor y con más seguridad permaneciendo dentro de la potencia indicada.*
 - b) **No usar ninguna herramienta eléctrica cuyo interruptor esté defectuoso.** *Una herramienta eléctrica que ya no pueda conectarse o desconectarse conlleva peligros y debe repararse.*
 - c) **Desconectar el enchufe de la toma de corriente y/o retirar la batería, si es desmontable, de la herramienta eléctrica antes de realizar cualquier ajuste, cambiar accesorios o almacenarla.** *Este tipo de medidas de seguridad preventivas sirve para reducir el riesgo de poner en marcha la herramienta eléctrica de manera involuntaria.*
 - d) **Guardar las herramientas eléctricas que no se usen fuera del alcance de los niños.**

No permitir el uso del aparato a personas que no estén familiarizadas con él o no hayan leído estas instrucciones. *Las herramientas eléctricas son peligrosas si las usan personas sin experiencia.*

- e) **Realizar el mantenimiento de las herramientas eléctricas y los accesorios. Comprobar que las piezas móviles no estén desajustadas ni atascadas, que las piezas no presenten rotura ni otras condiciones que puedan afectar al funcionamiento de la herramienta eléctrica.** *En caso de que la herramienta eléctrica esté dañada, es preciso que sea reparada antes de utilizarla de nuevo.* *Muchos accidentes se provocan a causa de un mantenimiento deficiente de la herramienta eléctrica.*
 - f) **Mantener limpias y afiladas las herramientas de corte.** *Las herramientas de corte bien cuidadas con cantos afilados se bloquean con menor frecuencia y pueden manejarse de forma más sencilla.*
 - g) **Respetar estas instrucciones cuando se desee utilizar la herramienta eléctrica, los accesorios, piezas de recambio, etc. Para ello, tener en cuenta las condiciones de trabajo y la tarea a ejecutar.** *El uso de herramientas eléctricas para otros fines diferentes a los previstos puede originar situaciones peligrosas.*
 - h) **Mantener asas y empuñaduras secas, limpias y libres de aceite y grasa.** *Las asas y empuñaduras resbaladizas impiden manejar con seguridad y controlar la herramienta en situaciones inesperadas.*
- 5. Empleo y tratamiento de la herramienta eléctrica**
- a) **Cargar la batería sólo en cargadores recomendados por el fabricante.** *Existe el peligro de incendio si se utiliza un cargador, indicado sólo para un tipo concreto de baterías, para otro tipo de baterías.*
 - b) **Utilizar sólo las baterías indicadas para la herramienta eléctrica en cuestión.** *El uso de otras baterías puede provocar daños y conllevar peligro de incendio.*
 - c) **Mantener cualquier batería que no se esté utilizando alejada de grapas, monedas, llaves, clavos, tornillos u otros objetos metálicos pequeños que podrían provocar un puenteo de los contactos.** *Un cortocircuito entre los contactos de la batería puede tener como consecuencia quemaduras o provocar fuego.*

- d) **Si se utiliza incorrectamente podría salir líquido de la batería. Evitar el contacto con el líquido. En caso de tocar accidentalmente el líquido, lavar la zona afectada con agua. Si el líquido penetra en los ojos, acudir a un médico. El líquido de la batería puede provocar irritaciones en la piel o quemaduras.**
- e) **No utilizar BATERÍAS ni herramientas que estén dañadas o modificadas. Las baterías dañadas o modificadas pueden manifestar comportamientos impredecibles que pueden dar lugar a incendio, EXPLOSIÓN o riesgo de lesión.**
- f) **No exponer una BATERÍA ni herramienta al fuego o a una temperatura excesiva. La exposición al fuego o a una temperatura superior a los 266°F (130°C) puede provocar una explosión.**
- g) **Seguir todas las instrucciones de carga y no cargar la BATERÍA ni herramienta fuera del margen de temperatura especificado en las instrucciones. Una carga inadecuada o a temperaturas fuera del margen especificado puede dañar la batería e incrementar el riesgo de incendio.**
- 6. Servicio**
- a) **Sólo especialistas cualificados deben reparar la herramienta eléctrica, empleando para ello únicamente piezas de repuesto originales. Esta forma de proceder garantiza la seguridad de la herramienta eléctrica.**
- b) **No reparar nunca BATERÍAS dañadas. La reparación de las BATERÍAS dañadas solo la puede llevar a cabo el fabricante o un distribuidor autorizado.**

Instrucciones de seguridad especiales

Con el fin de ofrecerte baterías con la máxima densidad de energía, larga duración y seguridad, prestamos el mayor cuidado en su montaje. Las celdas de la batería disponen de dispositivos de seguridad de varios niveles. En primer lugar se asigna el formato a cada celda y se registran sus características eléctricas. A continuación, estos datos se utilizan para agrupar las celdas y crear la mejores baterías. **A pesar de todas las medidas de seguridad, siempre es necesario tener precaución al utilizar baterías. Para un funcionamiento seguro es obligatorio tener en cuenta los siguientes puntos.**
¡El funcionamiento seguro sólo está garantizado si las celdas no están dañadas! Un manejo inadecuado puede dañar las celdas.

¡Atención! Los análisis confirman que un uso y un cuidado inadecuados son la principal causa de los daños provocados por baterías de alta potencia.

Advertencias sobre la batería

1. La batería del aparato no se suministra cargada. Antes de la primera puesta en marcha, es preciso recargarla por completo.
2. ¡Para que la batería trabaje de forma óptima evitar ciclos de descarga prolongados! Recargar la batería con frecuencia.
3. Guardar la batería en un lugar fresco, lo ideal son 59°F (15°C), y como mínimo cargada al 40%.
4. Las baterías de iones de litio están sujetas a un desgaste natural. ¡La batería debe ser sustituida como muy tarde cuando su rendimiento sea menor al 80% respecto a su estado cuando era nueva! Las celdas deterioradas de un conjunto de baterías envejecido no cumplen con los altos requisitos de rendimiento, representando un riesgo para la seguridad.
5. No tirar las baterías usadas al fuego. ¡Peligro de explosión!
6. No prender la batería ni exponerla al fuego.
7. **¡Evitar una descarga total de las baterías!** Este tipo de descarga daña las celdas de la batería. La causa más frecuente de la descarga total de la batería es el largo almacenamiento o la no utilización de baterías parcialmente descargadas. Terminar el trabajo en cuanto se aprecie que la potencia disminuye o se activa el sistema electrónico de protección. Almacenar la batería sólo tras haberla cargado completamente.
8. **¡Proteger las baterías y el aparato contra sobrecarga!** La sobrecarga conduce rápidamente a un sobrecalentamiento y daño de las celdas del interior de la carcasa de batería, sin que el sobrecalentamiento se perciba externamente.
9. **¡Evitar daños y golpes!** Sustituir inmediatamente las baterías que hayan caído desde una altura superior a un metro o que hayan sufrido golpes fuertes, incluso aunque la carcasa de la batería no parezca dañada. Las celdas que se encuentren en su interior podrían estar gravemente dañadas. Tener en cuenta también las indicaciones de eliminación.
10. En caso de sobrecarga y sobrecalentamiento, el circuito de protección integrado desconecta el aparato por motivos de seguridad.

¡Atención! Dejar de pulsar el interruptor On/Off cuando el circuito de protección haya desconectado el aparato. Podría dañar la batería.

11. Utilizar exclusivamente baterías originales. El uso de otras baterías puede provocar daños, así como explosión y peligro de incendio.
12. **Proteger la batería de la humedad, la lluvia y la humedad ambiental elevada.** La humedad, la lluvia y la humedad ambiental elevada pueden provocar daños peligrosos en las celdas. No cargar ni trabajar nunca con baterías que hayan estado expuestas a la humedad, la lluvia o humedad ambiental elevada, ¡reemplazarlas de inmediato!
13. Si el aparato está dotado de una batería extraíble, por motivos de seguridad será preciso extraerla una vez finalizado el trabajo.

Advertencias sobre el cargador y el proceso de carga

1. Observar los datos indicados en la placa de identificación del cargador. Conectar el cargador sólo a la tensión nominal indicada en la placa de características.
2. Proteger el cargador y el cable de daños y cantos afilados. Los cables dañados deben ser cambiados exclusivamente por un electricista profesional.
3. Mantener el cargador, las baterías y el aparato fuera del alcance de niños.
4. No emplear cargadores dañados.
5. No emplear el cargador suministrado para cargar otros aparatos a batería.
6. La batería se calienta bajo condiciones extremas de aplicación. Dejar que la batería se enfríe hasta alcanzar la temperatura ambiental antes de empezar a cargar.
7. **¡No cargar demasiado las baterías!** Respetar los tiempos de carga máximos. Estos tiempos de carga se aplican únicamente a baterías descargadas. Si una batería cargada o parcialmente cargada se conecta varias veces al cargador se produce una sobrecarga y un daño de las celdas. No deje las baterías en el cargador por más de 48 horas.
8. **No utilizar ni cargar nunca baterías si se tiene la sospecha de que la última carga de la batería puede haberse realizado hace más de 12 meses.** Existe una alta probabilidad de que la batería ya esté gravemente dañada (descarga total).
9. Cargar la batería a una temperatura de menos de 50°F (10°C) provoca daños químicos en las celdas y puede conllevar peligro de

incendio.

10. No utilizar baterías que se hayan calentado durante la carga, ya que sus celdas podrían dañarse peligrosamente.
11. Dejar de usar baterías que se hayan deformado o abombado durante la carga, o aquellas que presenten síntomas inusuales (desprendimiento de gases, zumbidos, chasquidos,...)
12. No descargar la batería por completo (nivel de descarga recomendado: máx. 80%). La descarga total provoca un envejecimiento prematuro de las celdas de la batería.
13. ¡No cargar nunca las baterías sin supervisión!

Protección contra influencias ambientales

1. Ponerse ropa de trabajo adecuada. Ponerse gafas de protección.
2. **Proteger el aparato y el cargador de la humedad y la lluvia.** Éstas podrían provocar daños peligrosos en las celdas.
3. No utilizar el aparato y el cargador cerca de vapores y líquidos inflamables.
4. Utilizar el cargador y el aparato a batería sólo si están secos y a una temperatura ambiente de 50°F-104°F (10-40 °C).
5. No guardar la batería en lugares que puedan alcanzar una temperatura superior a 104°F (40 °C), especialmente no en un vehículo aparcado al sol.
6. **¡Proteger las baterías contra un sobrecalentamiento!** La sobrecarga, carga excesiva o la radiación solar conducen a un sobrecalentamiento y al daño de las celdas. No cargar ni trabajar en ningún caso con baterías que se hayan sobrecalentado. Sustituirlas inmediatamente.
7. **Almacenamiento de baterías, cargadores y del aparato.** Guardar siempre el cargador y el aparato en habitaciones secas con una temperatura ambiente de 50°F-104°F (10-40°C). Guardar la batería de iones de litio en un lugar fresco y seco a 50°F-68°F (10-20°C). ¡Proteger de la humedad ambiental y de la radiación solar! Guardar las baterías únicamente cuando estén cargadas (mín. al 40%).
8. Evitar que la batería de iones de litio se hiele. Deshacerse de las baterías que hayan estado guardadas a 32°F (0°C) durante más de 60 minutos.
9. Llevar cuidado con la carga electrostática al manipular baterías: las descargas electrostáticas provocan daños en el sistema electrónico de protección y las celdas de la batería. ¡Evitar por ello la carga electrostática y no tocar nunca los polos de la batería!

Precaución y eliminación de la batería

Eliminación

Si su artefacto necesita ser reemplazado luego de un uso prolongado, no lo arroje a la basura doméstica. Hágalo de una forma ecológica y segura.



Los desechos producidos por máquinas eléctricas no deben ser manipulados como basura doméstica común. Recíclelos donde hayan emplazamientos de reciclaje. Consulte con las autoridades o tienda

minorista de su localidad para obtener información sobre reciclaje.

Deshágase de su batería de acuerdo con los reglamentos federales, estatales y locales. Para encontrar lugares de reciclaje, comuníquese con un servicio de reciclaje en su localidad.

⚠ ¡PRECAUCIÓN! Incluso las baterías descargadas contienen algo de energía. Antes de deshacerse de éstas, use cinta aislante para cubrir los terminales y evitar que la batería haga cortocircuito, lo cual puede causar una explosión o incendio.

⚠ ¡ADVERTENCIA! Para reducir el riesgo de lesiones personales o explosión, nunca queme o incinere una batería incluso si está dañada, inservible o completamente descargada. Al ser quemada, los humos y materiales tóxicos son emitidos a la atmósfera circundante.

1. Las baterías varían de acuerdo al dispositivo. Consulte su manual para obtener la información específica.
2. Instale solo nuevas baterías del mismo tipo en su producto (donde corresponda).
3. No insertar las baterías con la polaridad correcta, tal como se indica en el compartimiento de la batería o en el manual, puede reducir el ciclo de vida útil de las baterías o causar fugas en las baterías.
4. No combine baterías nuevas con antiguas.
5. No combine baterías alcalinas, estándar (de zinc-carbono) o recargables (de níquel-cadmio, de níquel-hidruro metálico o de iones de litio).
6. No arroje las baterías al fuego. Pueden llegar a explotar.
7. Las baterías deben ser recicladas o desechadas según los reglamentos locales y estatales.

Para el envío o la eliminación de baterías o del aparato, estos deben embalsarse por separado en bolsas de plástico para evitar cortocircuitos o incendios.

Instrucciones de seguridad generales y prevención de accidentes

Sólo será posible garantizar un trabajo seguro con la limpiadora a alta presión y sin riesgo de accidente si se leen detenidamente y se respetan las instrucciones de seguridad y de uso.

- ¡Aviso! No utilice el aparato si se encuentran otras personas o animales dentro del radio de alcance, a no ser que lleven la protección necesaria.
- ¡Aviso! Los chorros de agua pueden ser peligrosos si se hace un uso inapropiado. Bajo ningún pretexto se dirigirá el chorro a personas, animales, equipo eléctrico activo o al propio aparato.
- Aviso! Tampoco se dirigirá el chorro a sí mismo ni a otros a fin de limpiar ropa o calzado.
- ¡Aviso! No se permite el uso del aparato a niños o a personas que no hayan sido instruidas al respecto.
- Aviso! Para garantizar la seguridad del aparato, utilice únicamente las piezas de recambio originales o autorizadas por el fabricante.
- Póngase ropa de trabajo adecuada.
- No utilizar el aparato si se ha caído, si presenta daños visibles o si no está hermético.
- Comprobar que el aparato funcione de forma correcta. En caso de funcionamiento defectuoso, encárguese de que el aparato sea revisado. La totalidad de los trabajos de inspección y mantenimiento serán llevados a cabo únicamente por electricistas profesionales.
- El chorro de agua que sale de la boquilla provoca un efecto de retroceso sobre la pistola pulverizadora. Adopte una posición segura y sujete bien la pistola pulverizadora. Se ha de llevar puesto un equipo de protección apropiado para evitar ser alcanzado por piezas que pudieran salir despedidas.
- El chorro de agua puede deteriorar neumáticos de vehículos, así como piezas de los mismos. Mientras esté limpiando, mantenga una distancia mínima de 11-3/4" (30 cm).
- La bomba eléctrica ha de presentar un suministro de agua suficiente y continuo. El funcionamiento en seco provoca serios deterioros en las juntas.

Los niños no deben usar el aparato. Vigilar a los niños para asegurarse de que no jueguen con el aparato.

Conservar el aparato fuera del alcance de los niños si está encendido o se está enfriando.

¡ADVERTENCIA! A la hora de usar este producto, es preciso tener en cuenta una serie de medidas básicas, incluyendo las siguientes:

1. Leer todas las instrucciones antes de usar el producto.
2. Para reducir el riesgo de sufrir lesiones, se precisa vigilancia estrecha si el producto se usa cerca de los niños.
3. Es preciso saber cómo detener el producto y purgar presiones de forma rápida. Familiarizarse a fondo con los controles.
4. Estar alerta: observar siempre lo que se hace.
5. No operar el producto estando cansados o bajo los efectos del alcohol o de drogas.
6. Mantener el área de operación despejada de toda persona.
7. No sobreextenderse ni ponerse de pie sobre un apoyo inestable. Mantener siempre bien apoyados los pies y un buen equilibrio.
8. Seguir las instrucciones de mantenimiento especificadas en el manual.
9. Riesgo de lesión: no dirigir el chorro de descarga hacia personas.
10. No pulverizar sobre aparatos eléctricos ni cables.
11. Leer todas las instrucciones y advertencias de seguridad. Si no se siguen todas las instrucciones y advertencias, se pueden producir descargas eléctricas, incendios y/o lesiones graves.
12. Evitar un arranque inesperado. Asegurarse de que el interruptor se encuentre en la posición OFF antes de conectar la batería, alzar el aparato o transportarlo. El transporte de aparatos con el dedo en el interruptor o la activación de aparatos eléctricos con el interruptor en ON puede provocar accidentes.
13. Desconectar la batería del aparato antes de realizar ajustes, cambiar accesorios o almacenar el aparato. Este tipo de medidas de seguridad preventivas sirve para reducir el riesgo de poner en marcha el aparato de manera involuntaria.
14. Recargar solo con el cargador especificado por el fabricante. Un cargador adecuado para un tipo de batería puede conllevar el riesgo de provocar un incendio si se usa con otro tipo de batería.
15. Utilizar los aparatos solo con las baterías designadas específicamente. El uso de cualquier otro tipo de batería puede suponer un riesgo de sufrir lesiones y de provocar un incendio.
16. Si no se está usando la batería, mantenerla alejada de otros objetos metálicos, como clips, monedas, llaves, clavos, tornillos u otros objetos pequeños de metal que puedan realizar una conexión de un terminal al otro. Si se cortocircuitan los terminales de la batería, se pueden provocar quemaduras o un incendio.
17. En caso de uso excesivo, es posible que algo de líquido gotee de la batería. Evitar el contacto. En caso de contacto accidental, lavar con agua. Si el líquido entra en contacto con los ojos, buscar atención médica. El líquido que sale de la batería puede causar irritación o quemaduras.
18. No utilizar baterías ni aparatos que estén dañados o modificados. Las baterías dañadas o modificadas pueden manifestar comportamientos impredecibles que den lugar a incendio, explosión o riesgo de lesión.
19. No exponer una batería ni un aparato al fuego o a una temperatura excesiva. La exposición al fuego o a una temperatura superior a 130 °C puede provocar una explosión. La temperatura de 130 °C puede ser sustituida por la temperatura de 265 °F.
20. Seguir todas las instrucciones de carga y no cargar la batería ni el aparato fuera del margen de temperatura especificado en las instrucciones. Una carga inadecuada o a temperaturas fuera del margen especificado puede dañar la batería e incrementar el riesgo de incendio.
21. Encargar el servicio exclusivamente a una persona cualificada que use solo piezas de repuesto idénticas. Solo así se podrá mantener la seguridad del producto.
22. No modificar ni intentar reparar el aparato o la batería (si aplicable) de forma distinta a lo que se indique en las instrucciones de uso y conservación.

GUARDE ESTAS INSTRUCCIONES

2. Descripción del aparato y volumen de entrega

2.1 Descripción del aparato

1. Fusible
2. Disparador
3. Interruptor de manija
4. Tecla Eco
5. Entrada de agua
6. Alargadera A
7. Alargadera B
8. Boquilla espumante
9. Boquilla
10. Manguera de aspiración
11. Filtro de la manguera de aspiración
12. Bolsa de transporte
13. Regulación de espuma
14. Conexión para alargadera A
15. Peso
16. Pieza de empalme por filtro
17. Protector de batería PXC
18. Protección antisalpicaduras
19. Batería (no incluida)
20. Pieza de empalme por entrada de agua
21. Adaptador de acoplamiento de manguera
22. Presione el botón de bloqueo
23. Indicador de capacidad de batería
24. Pulsador para indicar la capacidad de batería

2.2 Volumen de entrega

Sirviéndose de la descripción del volumen de entrega, comprobar que el artículo esté completo. Si faltase alguna pieza, dirigirse a nuestro Service Center o a la tienda especializada más cercana en un plazo máximo de 5 días laborales tras la compra del artículo presentando un recibo de compra válido.

- Abrir el embalaje y extraer cuidadosamente el aparato.
- Retirar el material de embalaje, así como los dispositivos de seguridad del embalaje y para el transporte (si existen).
- Comprobar que el volumen de entrega esté completo.
- Comprobar que el aparato y los accesorios no presenten daños ocasionados durante el transporte.
- Si es posible, almacenar el embalaje hasta que transcurra el periodo de garantía.

Peligro!

¡El aparato y el material de embalaje no son un juguete! ¡No permitir que los niños jueguen con bolsas de plástico, láminas y piezas pequeñas! ¡Riesgo de ingestión y asfixia!

- Pieza de empalme
- Boquilla
- Alargadera 2x
- Boquilla espumante
- Manguera de aspiración
- Filtro de la manguera de aspiración
- Peso
- Adaptador de acoplamiento de manguera
- Protector de batería PXC
- Manual de instrucción original con instrucción de seguridad

Accesorios disponibles por separado

18V 1.5Ah PXC batería Li-Ion
 18V 2.0Ah PXC batería Li-Ion
 18V 2.5Ah PXC batería Li-Ion
 18V 3.0Ah PXC batería Li-Ion
 18V 4.0Ah PXC batería Li-Ion
 18V 3.0Ah PXC Plus batería Li-Ion
 18V 4.0Ah PXC Plus batería Li-Ion
 18V 5.2Ah PXC Plus batería Li-Ion
 18V 4.0Ah/6.0Ah PXC Plus batería Li-Ion
 18V 5.0Ah/8.0Ah PXC Plus batería Li-Ion
 18V PXC cargador rápido de doble Puerto
 18V PXC cargador rápido

Comuníquese con su distribuidor local para obtener modelos más específicos de baterías y cargadores disponibles en su área. Explorar las opciones de batería y cargador en einhell.com.

3. Uso adecuado

El aparato ha sido previsto para el uso privado en la limpieza de vehículos, máquinas, edificios, fachadas, etc.


Utilizar la máquina sólo en los casos que se indican explícitamente como de uso adecuado. Cualquier otro uso no será adecuado. En caso de uso inadecuado, el fabricante no se hace responsable de daños o lesiones de cualquier tipo; el responsable es el usuario u operario de la máquina.

Tener en consideración que nuestro aparato no está indicado para un uso comercial, industrial o en taller. No asumiremos ningún tipo de garantía

cuando se utilice el aparato en zonas industriales, comerciales o talleres, así como actividades similares.

Esta máquina no podrá ser utilizada por personas (incluidos niños) cuyas capacidades estén limitadas física, sensorial o psíquicamente o que no dispongan de la experiencia o los conocimientos necesarios.

4. Características técnicas

Alimentación de tensión de motor: 18V 
 Presión máxima:348 PSI (24 bar)
 Flujo máximo:..... 1.0 GPM (3.78 LPM)
 Máx. presión entrada de agua:72.5 PSI (5 bar)
 Temperatura de entrada
 del agua: 41°F – 104°F (5°C to 40°C)
 Peso (solo herramienta):4.6 lb (2.1 kg)

Usar protección para los oídos.

La exposición al ruido puede ser perjudicial para el oído.

¡Reducir la emisión de ruido y las vibraciones al mínimo!

- Emplear sólo aparatos en perfecto estado.
- Realizar el mantenimiento del aparato y limpiarlo con regularidad.
- Adaptar el modo de trabajo al aparato.
- No sobrecargar el aparato.
- En caso necesario dejar que se compruebe el aparato.
- Apagar el aparato cuando no se esté utilizando.

Cuidado!

Riesgos residuales

Incluso si esta herramienta se utiliza adecuadamente, siempre existen riesgos residuales. En función de la estructura y del diseño de esta herramienta eléctrica pueden producirse los siguientes riesgos:

1. Lesiones pulmonares en caso de que no se utilice una mascarilla de protección antipolvo.
2. Lesiones auditivas en caso de que no se utilice una protección para los oídos adecuada.
3. Daños a la salud derivados de las vibraciones de las manos y los brazos si el aparato se utiliza durante un largo periodo tiempo, no se sujeta del modo correcto o si no se realiza un mantenimiento adecuado.

Limitar el tiempo de trabajo.

Al hacerlo deben tenerse en cuenta todas las partes del ciclo de servicio (por ejemplo los tiempos en los que la herramienta eléctrica está desconectada y los tiempos en los que está conectada pero funciona sin carga).

5. Antes de la puesta en marcha

¡Cuidado!

Proteger la batería de la humedad, la lluvia y la humedad ambiental elevada. Es preciso evitar que durante el funcionamiento pase agua por la batería o sus contactos.

Utilizar el protector de batería PXC suministrado (17). Conectar primero la batería al aparato PXC (fig.3/pos. 19). Asegurarse de que los contactos en el aparato y la batería estén secos. Colocar el protector de batería PXC (17) sobre la batería (fig.4). Asegurarse de que el protector de batería PXC no esté dañado, esté bien asentado y hermético en todas las superficies de contacto con el aparato. Retirar siempre el protector de batería PXC antes de retirar la batería del aparato.

¡Aviso!

Extraer siempre la batería antes de realizar ajustes en el aparato.

5.1 Aplicación correcta del aparato

- El aparato ha de encontrarse sobre una superficie lisa y segura.
- Cada vez que active la máquina, cerciórese de mantener la posición de manejo correcta: una mano en la pistola y la otra en la lanza.
- El chorro de agua no se dirigirá jamás a cables eléctricos o a la máquina.
- Para evitar dañar la bomba cuando esté parada, asegurarse de que no esté completamente estanca.
- Bajo ninguna circunstancia se podrá utilizar el aparato en recintos donde haya peligro de explosión.
- La temperatura de trabajo ha de oscilar entre 41°F (5°C) y 104°F (40°C).
- Está prohibido llevar a cabo modificaciones o aplicar cubiertas a la lanza o a las boquillas pulverizadoras.
- El aparato ha sido concebido para un funcionamiento con agua fría o caliente (máx. hasta 104°F (40°C)); unas temperaturas superiores producen daños en la bomba.
- El agua usada deberá ser limpia y no deberá

contener arena o productos químicos que puedan repercutir negativamente en el funcionamiento y acortar la vida útil del aparato.

Aviso-Peligro de explosión

No pulverizar líquidos inflamables.

Aviso

El agua que ha fluído por el dispositivo antirretorno se considera no potable.

Aviso

Si el producto de limpieza entra en contacto con la piel o los ojos, aclarar inmediatamente con abundante agua la zona afectada. Después, ponerse en contacto con un médico y seguir las indicaciones de la hoja de datos de seguridad o del fabricante del producto de limpieza.

5.2 Montaje

Montaje de las alargaderas/boquillas (fig. 5-8)

¡Aviso! En la pistola solo se puede montar la alargadera A (6).

Montar primero la alargadera A (6) en la conexión (14) como se muestra en la figura 5. Girarla en sentido horario hasta que la alargadera quede encajada. A continuación se debe bloquear la alargadera girando el seguro de cierre, como se muestra en fig. 6/pos. 2. La alargadera B (7) debe unirse a la alargadera A (6) también mediante un giro en sentido horario y asegurarse con el seguro de cierre (fig. 6/pos. 6).

Ahora se pueden presionar los accesorios (boquilla espumante, boquilla) en la alargadera (B) y asegurarlos girándolos en sentido horario.

¡Aviso! Antes de comenzar con la limpieza, asegurarse de que las alargaderas A+B y los accesorios estén bien fijados.

Boquilla

Girando la boquilla (9) en sentido horario (fig. 5/ pos. 9), el chorro puntual puede cambiarse a chorro en abanico estrecho, chorro en abanico ancho y rotación (fig. 7).

Boquilla espumante con recipiente

Abrir la boquilla espumante (fig. 8) girándola y llenar de producto espumante. Girando la regulación de espuma (13) se puede ajustar la cantidad de espuma.

5.3 Conexión de entrada de agua (fig. 9-11)

La conexión para la entrada de agua (5) está equipada con una pieza de empalme (20) para sistemas de acoplamiento de manguera estándares. Poner el adaptador de acoplamiento de manguera 3/4" GHT (21) a la manguera de jardín. Poner el adaptador de acoplamiento (21) en la pieza de empalme de la entrada de agua (20). **¡Atención!** La protección contra salpicaduras (18) protege adicionalmente la batería frente a salpicaduras de agua y por lo tanto se deberá utilizar siempre. La protección contra salpicaduras (18) deberá montarse entre la entrada de agua (5) y la pieza de empalme de la entrada de agua (20).

¡Advertencia!

¡Deberá instalarse un dispositivo antirretorno entre el agua potable y la herramienta! Preguntar a un fontanero local.

Para usar agua de un recipiente, utilizar siempre la manguera de aspiración (10) y el filtro de la manguera de aspiración (11) como se muestra en la figura 11. Poner la manguera de aspiración (10) en la pieza de empalme de la entrada de agua (20). **¡Atención!** La protección contra salpicaduras (18) protege adicionalmente la batería frente a salpicaduras de agua y por lo tanto se deberá utilizar siempre. La protección contra salpicaduras (18) deberá montarse entre la entrada de agua (5) y la pieza de empalme de la entrada de agua (20).

6. Manejo

6.1 Cómo cargar la batería de litio (no incluido en el volumen de entrega)

Las instrucciones correspondientes se encuentran en el manual de instrucciones original del cargador.

6.2 Indicador de capacidad de batería (fig. 13/pos. 23)

Pulsar el interruptor para acceder al indicador de capacidad de la batería (24). El indicador de capacidad de batería (23) le indica el estado de carga de la batería sirviéndose de 3 LEDs.

Los 3 LED están iluminados:

La batería está completamente cargada.

2 o 1 LED están iluminados

La batería dispone de suficiente carga residual.

1 LED parpadea:

La batería está vacía, es preciso cargarla.

Si todos los LED parpadean:

La temperatura de la batería es demasiado baja. Quitar la batería del aparato y dejarla durante un día a temperatura ambiente. Si vuelve a aparecer el fallo, la batería se ha descargado completamente y está defectuosa. Quitar la batería del aparato. Está prohibido emplear o cargar una batería defectuosa.

6.3 Puesta en marcha

Una vez se haya montado por completo el aparato y se hayan establecido todas las conexiones requeridas, proceder del modo siguiente: Abrir la entrada de agua. Pulsando el desbloqueo (fig. 1/ pos. 1) en la pistola pulverizadora, se desbloquea el disparador, así como el interruptor de la empuñadura. Pulsar el interruptor de la empuñadura (fig. 1/pos. 3) para que pueda salir el aire que aún quede en el aparato.

A continuación, accionar el disparador (2) y el interruptor de la empuñadura (3) al mismo tiempo para iniciar la limpieza.

Para apagar, soltar el disparador (2); el aparato se pone en modo "stand-by". En cuanto se accione el disparador (2), el aparato se vuelve a poner en marcha. Pulsando la tecla Eco (fig. 11/pos. 4) se puede elegir entre 2 niveles de presión.

7. Mantenimiento y limpieza**Peligro!**

Desenchufar la batería antes de realizar trabajos de limpieza.

7.1 Limpieza

- Reducir al máximo posible la suciedad y el polvo en los dispositivos de seguridad, las rendijas de ventilación y la carcasa del motor. Frotar el aparato con un paño limpio o soplarlo con aire comprimido manteniendo la presión baja.
- Se recomienda limpiar el aparato tras cada uso.
- Limpiar el aparato con regularidad con un paño húmedo y un poco de jabón blando. No utilizar productos de limpieza o disolventes ya que se podrían deteriorar las piezas de plástico del aparato. Es preciso tener en cuenta

que no entre agua en el interior del aparato. Si entra agua en el aparato eléctrico existirá mayor riesgo de una descarga eléctrica.

- Usar detergentes diseñados para limpiadores a presión eléctricos. En ferreterías o tiendas de materiales para el hogar se pueden encontrar detergentes de limpiadores a presión eléctricos para distintos proyectos de limpieza. La solución limpiadora deberá tener la consistencia del agua a fin de evitar el atasco de la boquilla y del bote de detergente.

7.2 Mantenimiento**Comprobación del filtro de la manguera de aspiración**

Se ha de comprobar periódicamente el filtro de absorción a fin de evitar posibles obstrucciones que pudieran poner en peligro el funcionamiento de la bomba.

Desatornillar la pieza de empalme para entrada de agua (16) del filtro de la manguera de aspiración (11) y limpiar con agua corriente el filtro de entrada que se encuentra detrás.

Largos periodos de inactividad de la bomba eléctrica

El agua de la máquina debería vaciarse completamente tras cada uso. Para ello, encender el aparato sin la entrada de agua conectada y activar el disparador (2) (máx. 1 min.) hasta que deje de salir agua. A continuación, apagar el aparato.

Si el aparato ha estado parado por un espacio de tiempo prolongado, se habrán generado acumulaciones de cal en la bomba eléctrica que pueden dificultar la puesta en marcha.

Limpieza de la boquilla (fig. 7)

Para limpiar una boquilla atascada, utilizar, por ejemplo, una aguja de seguridad.

8. Eliminación y reciclaje

El aparato está protegido por un embalaje para evitar daños producidos por el transporte. Este embalaje es materia prima y, por eso, se puede volver a utilizar o llevar a un punto de reciclaje. El aparato y sus accesorios están compuestos de diversos materiales, como, p. ej., metal y plástico. Los aparatos defectuosos no deben tirarse a la basura doméstica. Para su eliminación adecuada, el aparato debe entregarse a una entidad recolectora prevista para ello. En caso de no conocer ninguna, será preciso informarse en el organismo responsable del municipio.

9. Almacenamiento

Guardar el aparato y sus accesorios en un lugar oscuro, seco, protegido de las heladas e inaccesible para los niños. La temperatura de almacenamiento óptima se encuentra entre los 41°F y 86°F (5 y 30 °C). Guardar la herramienta eléctrica en su embalaje original. Drene el exceso de agua de la hidrolimpiadora antes de guardarla y no permita que se congele.

Sólo está permitido copiar la documentación y documentos anexos del producto, o extractos de los mismos, con autorización expresa de Einhell Germany AG.

Nos reservamos el derecho a realizar modificaciones técnicas.

10. Posibles causas de fallo

Avería de funcionamiento	Causa	Solución
El aparato no funciona.	<ul style="list-style-type: none"> - Sin tensión eléctrica en el aparato. - La bomba se ha congelado. 	<ul style="list-style-type: none"> - La batería no está cargada - La batería no está conectada correctamente - Comprobar y, en caso necesario, descongelar.
Motor en marcha, aunque no se genera presión.	<ul style="list-style-type: none"> - Filtro de aspiración de agua atascado. - Aspiración de aire en la entrada de agua. - Boquilla de salida demasiado grande. - Grifo de agua cerrado. 	<ul style="list-style-type: none"> - Limpiar filtro de aspiración de agua. (véase 7.2) - Comprobar manguera de alimentación y conexiones de manguera, en caso necesario, cambiar. - Comprobar y, en caso necesario, sustituir. - Abrir el grifo de agua.
Presión de servicio irregular.	<ul style="list-style-type: none"> - Aspiración de aire en la entrada de agua. 	<ul style="list-style-type: none"> - Comprobar manguera de alimentación y conexiones de manguera, en caso necesario, cambiar.



A series of horizontal lines for writing, starting from the pencil tip and extending across the page.



Two horizontal lines are positioned to the right of the pencil illustration. Below these, there are 20 additional horizontal lines, evenly spaced, extending across the width of the page. These lines are intended for writing or drawing.





www.Einhell.com

EH 11/2023 (01)