

# Tile cutting machine HFS 518/2

Art.-No.: **43.011.62**

Bar code: **4006825535457**

Sales unit: **1 pc**

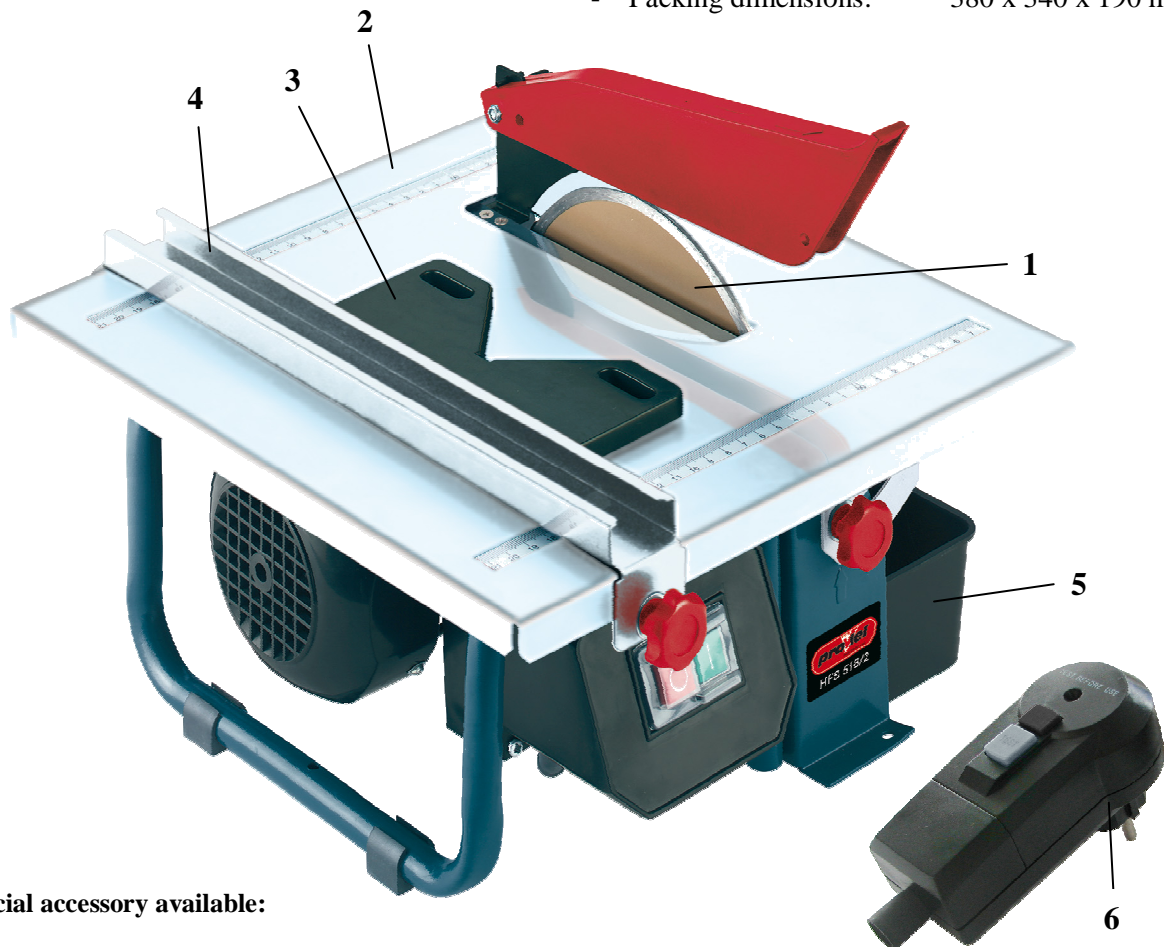
The tile cutting machine HFS 518/2 is an easy transportable unit for cutting small and medium sized wall- or floor tiles with water cooled cutting disc for dust-free cutting. The zinc-coated working table can be tilted continuously up to 45° incl. parallel guide for endless length and jolly cuts.

## Features:

- Diamond cutting disc (1)
- Working table (2)
- Mitre cut guide (3)
- Parallel guide (4)
- Water tank (5)
- Toolings
- **RCD-Plug (6)**

## Technical data:

- Mains: 230 V ~ 50 Hz
- Motor: AC motor
- Power: 600 W S2 10 min
- No-load speed  $n_0$ : 3,000  $\text{min}^{-1}$
- Cutting height 90° / 45°: 35 mm / 12 mm
- Table size: 330 x 360 mm
- Diamond cutting disc: Ø 180 x Ø 25.4 mm
- Weight: 10.8 kg
- Packing dimensions: 380 x 340 x 190 mm



## As special accessory available:

Diamond cutting disc  
Ø 180 x Ø 25.4

Art.-No.: **43.011.70**  
Bar code: **4006825432015**