

## Organizer-Set IAS 18/350 Set

Art.-No.: **42.570.30**

Bar Code: 4006825513967

Sales Unit: 2 pc

### Cordless Screwdriver BAS 18 A:

Cordless Screwdriver for multi-purpose use. Smooth running, electronic speed control and an ergonomic design allows fatigueless working.

#### Features:

- 17 step torque settings (1)
- Quick chuck (2)
- Right-/Left-Rotation (3)
- Electronic speed control (4)
- 1 NiCd changeable accu 18 volts (5)
- 3-5 hour charger (6)

#### Technical data cordless screwdriver:

- Battery voltage: 18 volts
- Battery capacity: 1,2 Ah
- Idle speed: 0-550 min<sup>-1</sup>
- Torque setting: 17 steps

#### Technical data charger:

- Charging time: 3-5 h
- Charging current: 400 mA



### Standard accessory (7):

- 7x jig saw blade (3 pcs metal, 4 pcs wood)
- 3m tape measure
- 1x metal angle
- 1x compass saw (25 to 63 mm)
- 6x drill bits (1 drill each Ø 6 mm and Ø 8 mm for wood / stone / metal)
- 8x screw bits
- 2x pencils
- 50x universal wall pins (25 pcs each Ø 6 / Ø 8 mm)
- 75x wood screws (Spax) (25 pcs each Ø 3x35, Ø 4x40 and Ø 5x50 mm)

### Jig Saw BS 350 E:

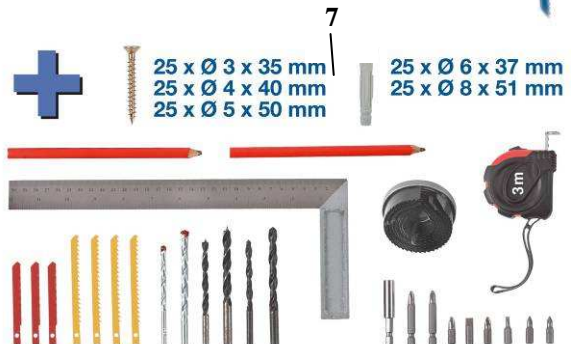
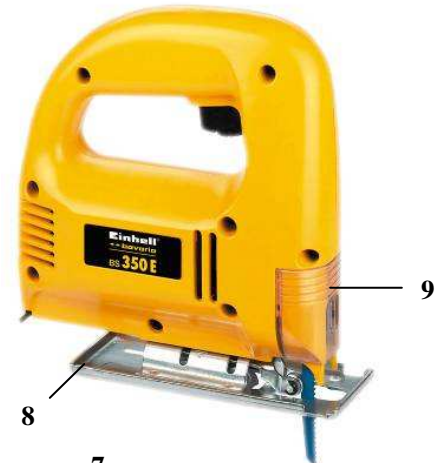
Laser Jig Saw for multi-purpose use. An adjustable saw plate allows you to set various angles of tilt. Additional equipped with electronic speed control and variable pendulum action.

#### Features:

- Stroke rate – electronic speed control
- Saw plate tiltable up to 45° to the left and right (8)
- Screen view (9)
- 3-settings pendulum 0/1/2
- Allan key
- Integrated dust extractor

#### Technical data:

- Mains: 230 V ~ 50 Hz
- Power: 350 watts
- Number of strokes n<sub>0</sub>: 500 – 3000 min<sup>-1</sup>
- Cutting depth: wood max. 55 mm  
iron max. 6 mm  
plastics max. 10 mm
- Mitre cut: up to 45°
- Weight Set: 7.2 kg
- Packing dimensions Set: 360 x 260 x 325 mm



Abbildungen können nicht im Serien-Lieferumfang enthaltenes Zubehör darstellen / Illustrations can contain accessories, which are not included in standard extent of delivery.

Abbildungen ähnlich, produktionsbedingte Abweichung vorbehalten / Illustration similar (in design), production-wise modifications reserved

File: S:\shared-pool\Product-Dokumentation\T-Produktbeschreibung\60\Originale\_Englisch\_PA04\4257030\_01015.doc

Erstelldatum / create date: 06.06.2005 3:38

Aktualisiert / up dated: 03.02.2006