

Precision working with dual function laser technology!

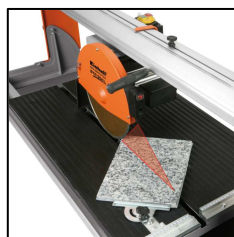
**Einhell**®

**NEW GENERATION**



With four standard legs which are quick and easy to fit the rugged STR 300 L stone cutting machine is ideally suitable for both stationary and mobile work. It offers a wide range of possibilities and is therefore a highly versatile tool for professional applications. The stone cutting machine can be used for the precise cutting of all kinds of concrete slabs, cobblestones, marble and granite slabs, and bricks and tiles, in a diversity of shapes and sizes. Only a few movements are required to perform both mitre and double mitre cuts and jolly cuts. An integrated coolant pump ensures that the diamond cutting wheel is perfectly cooled at all times while enabling you to work without interference from dust. **The swiveling cutting head enables workpieces of up to 920 mm in length to be cut with ease.**

The machine is equipped with a laser which shows the exact cutting line on the material to be cut. **In addition, the laser unit, which is fastened to the machine by a magnetic adapter, can also be removed from the machine and used as a laser level when laying flooring materials or similar.** The laser unit is therefore equipped with two spirit levels for the purpose.



## STR 300 L Stone Cutting Machine

### Logistic Information:

<b>Type:</b>	<b>STR 300 L</b>	<b>Sales unit:</b>	1 pc
<b>Art. No.:</b>	43.014.30	<b>20``:</b>	48 pcs
<b>Ident No.:</b>	01016	<b>40``:</b>	96 pcs
<b>Bar code:</b>	4006825 531015	<b>40``HC:</b>	-- pcs
<b>Packaging:</b>	1435 x 687 x 482 mm	<b>Weight:</b>	77 kg (gross)



Abbildungen können nicht im Serien-Lieferumfang enthaltenes Zubehör darstellen / Illustrations can contain accessories, which are not included in standard extent of delivery. Abbildungen ähnlich, produktionsbedingte Abweichung vorbehalten / Illustration similar (in design), production-wise modifications reserved.

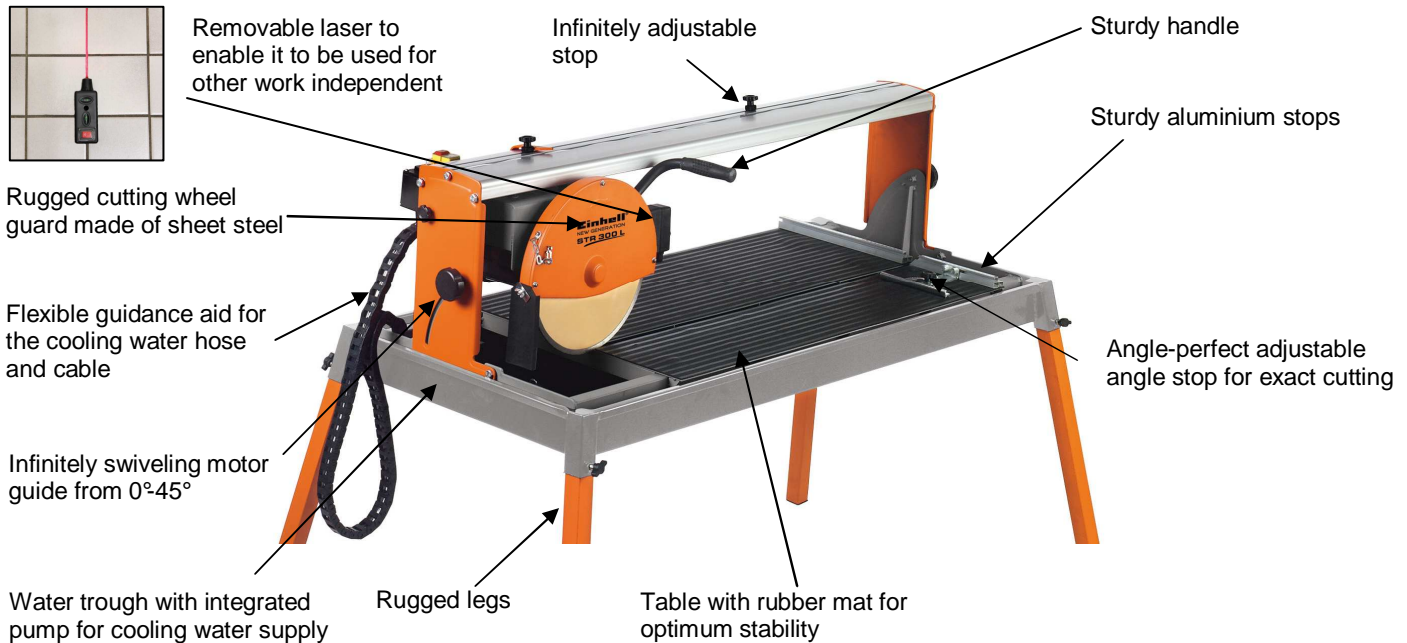
File: S:\shared-pool\Product-Dokumentation\T-Produktbeschreibung\30\_n0t\Originale\_Englisch\_PA04\4301430\_01016.doc

Erstelldatum/create date: 08.09.2006 08:10:00Aktualisiert / up dated: 27.03.2008

# Precision working with dual function laser technology!

# Einhell®

## NEW GENERATION



Ininitely swiveling motor guide from 0°-45°



Angle-perfect adjustable angle stop for exact cutting



Integrated pump for cooling water supply



RCD plug for machine safety

### Features:

- Removable laser which can be used for other work independent of the machine
- RCD plug for machine safety
- 4-way ball bearing-mounted motor guide
- Ininitely swiveling motor guide from 0°-45°
- Angle-perfect adjustable angle stop
- Sturdy handle
- Large work table with rubber mat and sturdy aluminium stop
- Solid cutting wheel guard made of sheet steel
- Large water trough with integrated pump for cooling water supply
- Rugged legs

### Technical Data:

- Alternating current motor: 230 V ~ 50 Hz
- Power: 2,200 W S2 20 min
- Rotation speed  $n_0$ : 3,000  $\text{min}^{-1}$
- Cutting depth 90°: max. 70 mm
- Cutting depth 45°: max. 55 mm
- Cutting length: max. 920 mm
- Bevel cuts: 0° - 45°
- Diamond wheel: Ø 300 x Ø 25.4 mm
- Protection class: IP 54
- Work table: 920 x 450 mm

### Logistic Information:

<b>Type:</b>	<b>STR 300 L</b>	<b>Tool:</b>	<b>Stone cutting machine</b>
<b>Art. No.</b>	43.014.30	<b>Sales unit:</b>	1 pc
<b>Ident No.:</b>	01016	<b>20`:</b>	48 pcs
<b>Bar code:</b>	4006825 531015	<b>40`:</b>	96 pcs
<b>Packaging:</b>	1435 x 687 x 482 mm	<b>40`HC:</b>	-- pcs
		<b>Weight:</b>	77 kg (gross)

