



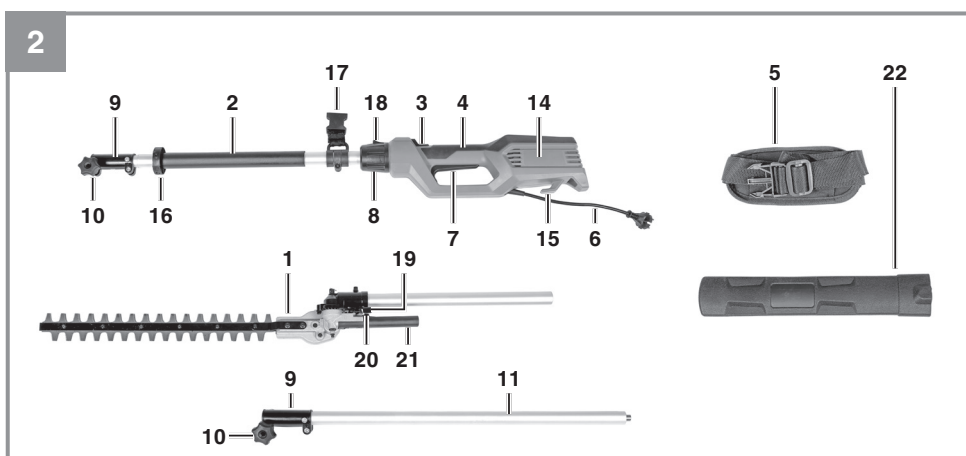
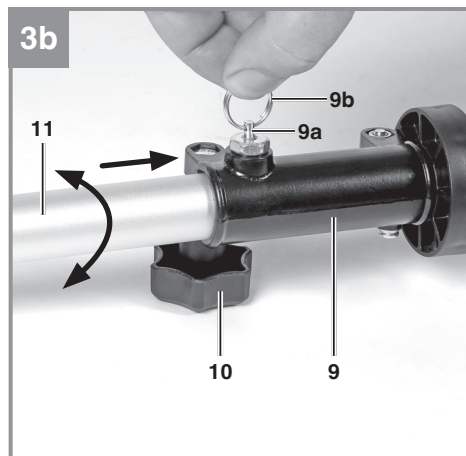
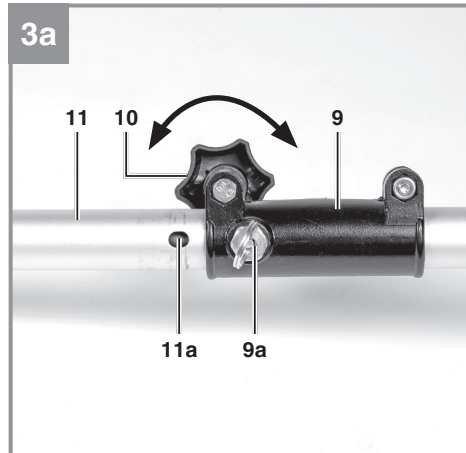
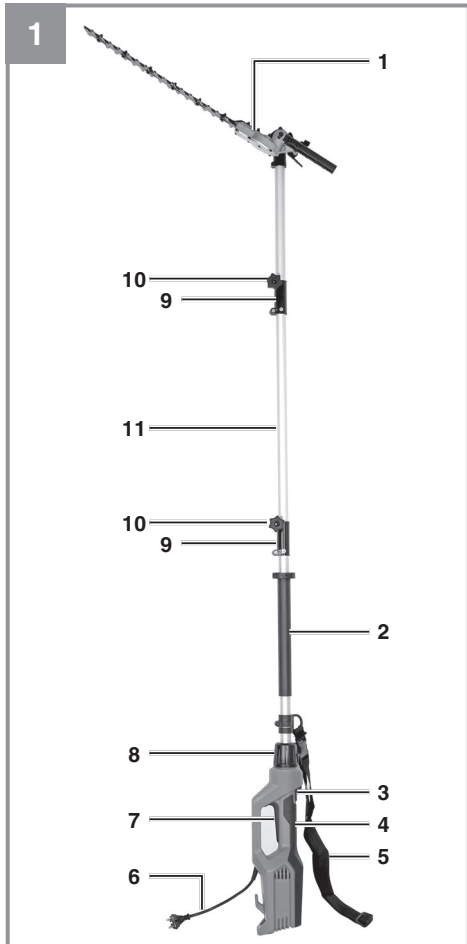
GC-HH 9046

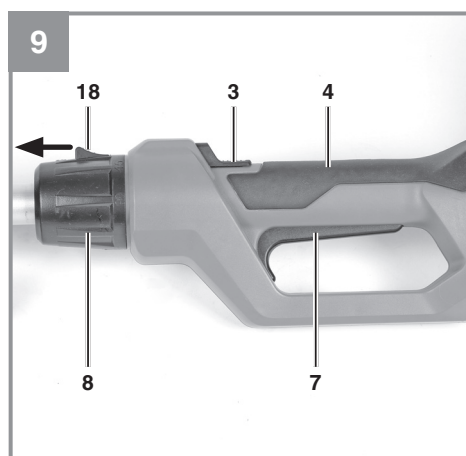
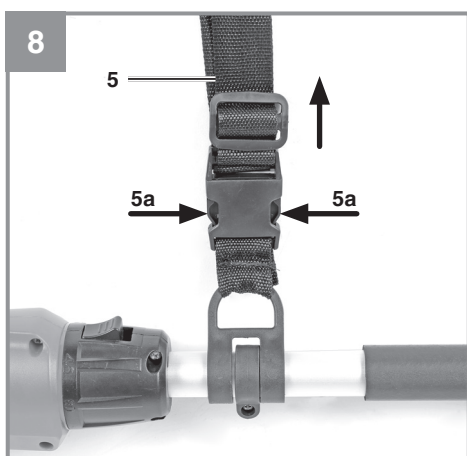
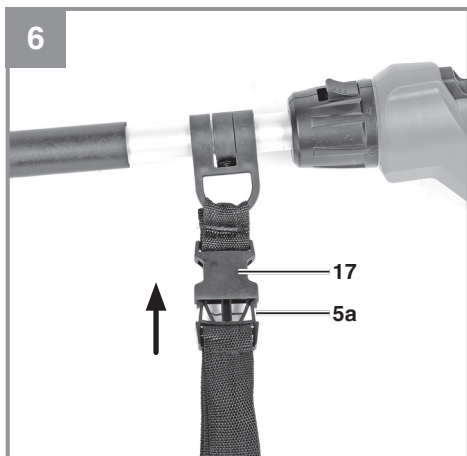
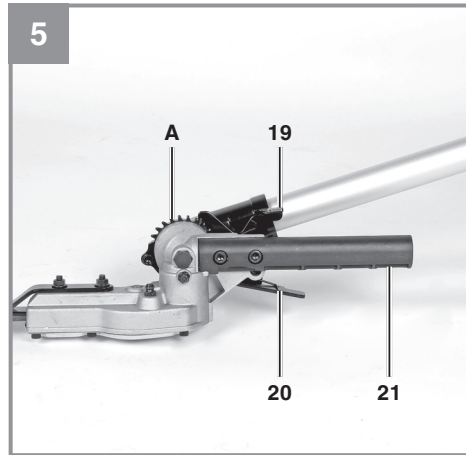
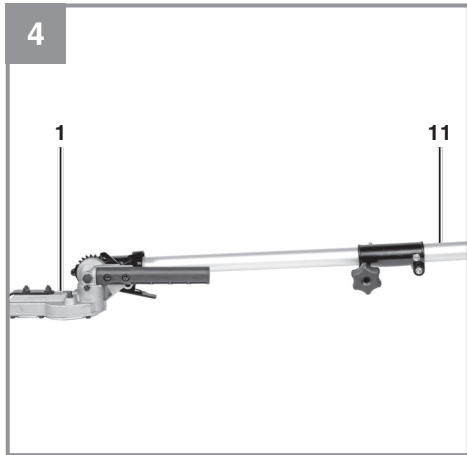
GB Original operating instructions
Electric pole hedge trimmer

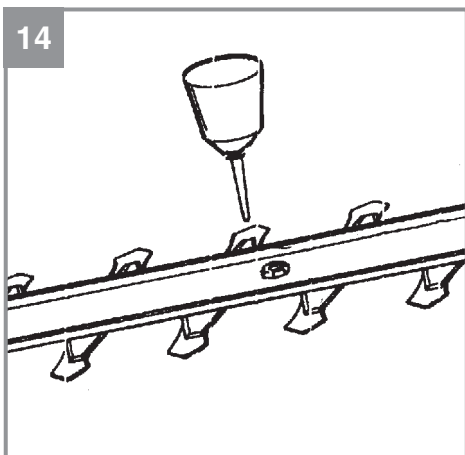
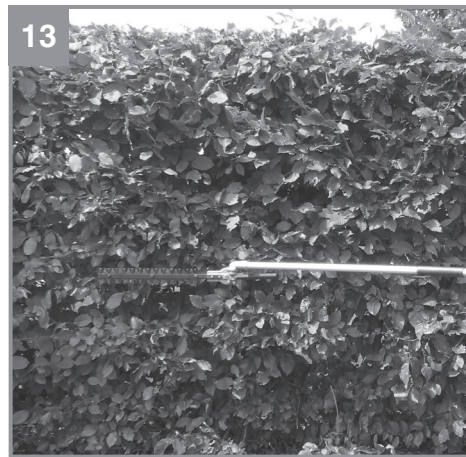
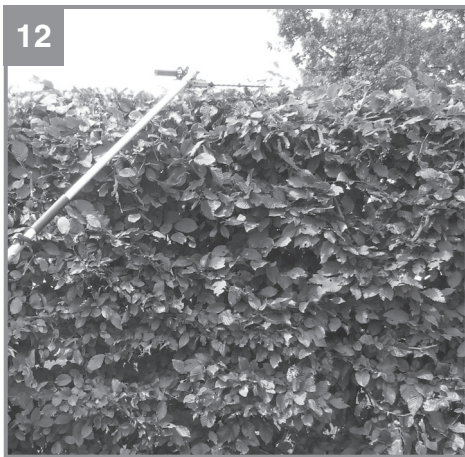
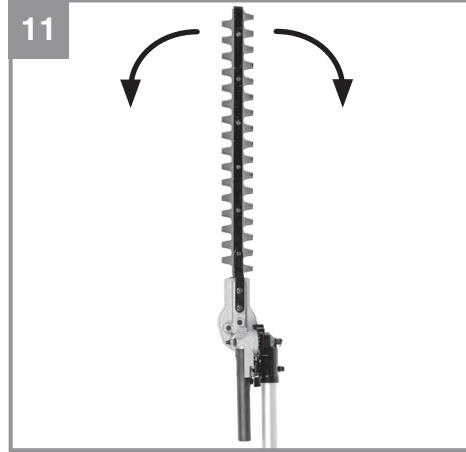
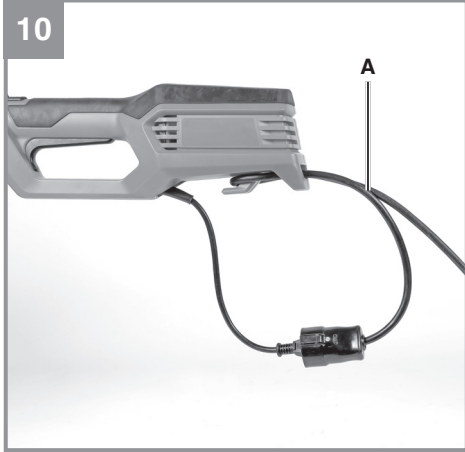


Art.-Nr.: 34.038.81

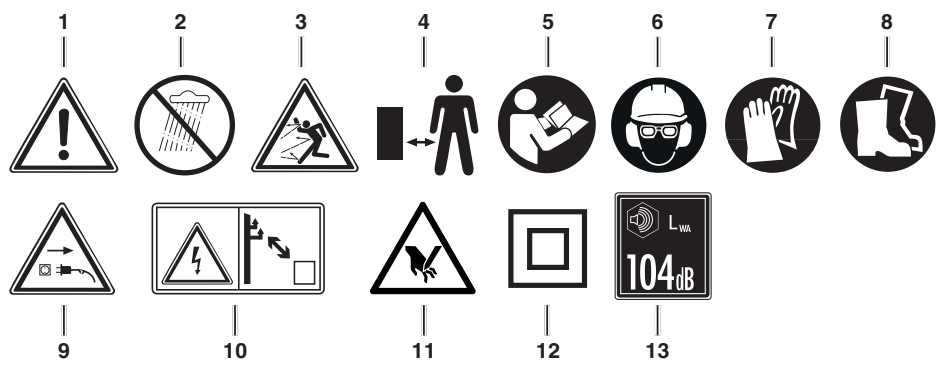
I.-Nr.: 21013







15



Danger!

When using the equipment, a few safety precautions must be observed to avoid injuries and damage. Please read the complete operating instructions and safety regulations with due care. Keep this manual in a safe place, so that the information is available at all times. If you give the equipment to any other person, hand over these operating instructions and safety regulations as well. We cannot accept any liability for damage or accidents which arise due to a failure to follow these instructions and the safety instructions.

1. Safety regulations**WARNING!**

Read all safety warnings, instructions, illustrations and specifications provided with this power tool. Failure to follow all instructions listed below may result in electric shock, fire and/or serious injury.

Save all warnings and instructions for future reference.

This appliance is not intended for use by persons (including children) with reduced physical, sensory or mental capabilities, or lack of experience and knowledge, unless they have been given supervision or instruction concerning use of the appliance by a person responsible for their safety. Children should be supervised to ensure that they do not play with the appliance.

Explanation of the symbols on the tool (Fig. 15):

1. Warning!
2. Protect the tool from rain and damp!
3. Watch out for falling and catapulting parts.
4. Keep your distance.
5. Read the directions for use before operating the tool!
6. Wear protective headgear, goggles and ear muffs.
7. Wear safety gloves!
8. Wear sturdy, non-slip footwear.
9. If the cable is damaged or cut, disconnect the power plug from the mains immediately.
10. Electric shock can cause fatal injury. Hold the hedge trimmer well away from overground high-voltage cables.
11. Keep your hands away from the blade.
12. This tool complies with Protection Class II (double-insulated)

13. Guaranteed sound power level: 104 dB

General safety information for power tools

The term „power tool“ used in the safety information and instructions refers to power tools operated from the mains power supply (with a power cable) and to battery operated power tools (without a power cable).

1. Workplace safety

- a) **Keep your work area clean and well lit.** Untidy or unlit work areas can result in accidents.
- b) **Do not use this power tool in an area where there is a risk of explosion and where there are inflammable liquids, gases or dust.** Power tools generate sparks that can ignite dust or vapors.
- c) **Keep children and other people away from the power tool while you are using it.** If you are distracted you may lose control of the power tool.

2. Electrical safety

- a) **The plug on the power tool must fit into the socket. The socket must not be modified in any way. Do not use adapter plugs together with power tools with a protective earth.** Unmodified plugs and matching sockets will reduce the risk of an electric shock.
- b) **Avoid body contact with earthed surfaces such as pipes, heating systems, stoves and refrigerators.** There is an increased risk of suffering an electric shock if your body is earthed.
- c) **Keep the power tool out of the rain and away from moisture.** The ingress of water into an electric power tool increases the risk of an electric shock.
- d) **Do not use the power cable for a purpose for which it is not designed, for example to carry the power tool, hang it up or to pull the plug out of the socket. Keep the power cable away from heat, oil, sharp edges and moving parts.** Power cables that are damaged or tangled increase the risk of an electric shock.
- e) **If you use an electric power tool outdoors, use only extension cables that are suitable for outdoor use.** The use of an extension cable which is suitable for outdoor use reduces the risk of an electric shock.
- f) **If you cannot avoid using the power tool in a damp location, use a residual current**

device (RCD) circuit breaker. The use of a residual current device (RCD) circuit breaker will reduce the risk of suffering an electric shock.

3. Safety of persons

- a) **Be careful, watch what you are doing and be sensible and responsible when using an electric power tool. Never use the power tool if you are tired or under the influence of drugs, alcohol or medication.** One moment of inattention when using the electric tool can result in serious injuries.
 - b) **Wear personal safety equipment and always wear safety goggles.** Wearing personal safety equipment such as dust masks, non-slip safety shoes, a helmet or ear plugs, depending on the type and application of the tool, reduces the risk of injury.
 - c) **Make sure that the tool cannot start up accidentally. Ensure that the power tool is switched off before you connect it to the power supply and/or connect the battery pack, pick it up or carry it.** If you have your finger on the switch while carrying the power tool or if you connect the power tool to the power supply while it is switched on, this may cause accidents.
 - d) **Remove all adjusting tools or wrenches before you switch on the power tool.** Any tool or wrench in a rotating part of the power tool could cause injuries.
 - e) **Avoid abnormal working postures. Make sure you stand squarely and keep your balance at all times.** This will enable you to control the power tool better in unexpected situations.
 - f) **Wear suitable clothes. Never wear loose fitting clothes or jewelry. Keep hair and clothing away from moving parts.** Loose clothing, jewelry or long hair can be caught by moving parts.
 - g) **If dust extraction devices and dust collection devices can be fitted, they must be connected and must be used correctly.** The use of a dust extractor can reduce the dangers posed by dust.
 - h) **Do not allow yourself to be lulled into a false sense of security and do not ignore the safety regulations covering electric power tools, even if you are familiar with the power tool after having used it many times.** Carelessness can lead to serious injuries in just a fraction of a second.
4. **Using and handling the power tool**
 - a) **Do not overload your power tool. Use the correct electric tool for the job in hand.** The correct tool will enable you to work better and more safely within the specific performance range.
 - b) **Do not use an electric power tool if the switch is defective.** An electric power tool that cannot be switched on or off is dangerous and must be repaired.
 - c) **Pull the plug out of the socket and/or remove the removable battery pack before making any adjustments to the tool, changing plug-in tool parts or putting the power tool down.** These precautions will prevent the power tool starting accidentally.
 - d) **Keep unused electric tools out of the reach of children. Do not allow people who are not familiar with the power tool or who have not read these instructions to use the power tool.** Electric tools are dangerous if they are used by inexperienced people.
 - e) **Look after power tools and plug-in tools with care. Check that moving parts function correctly and do not jam, and whether any parts are broken or damaged such that they adversely affect the function of the power tool. Have damaged parts repaired before you use the power tool.** Many accidents are caused by poorly maintained electric tools.
 - f) **Keep cutting tools sharp and clean.** Carefully maintained cutting tools with sharp cutting edges will jam less and are easier to control.
 - g) **Use the power tool, plug-in tools, etc. as set out in these instructions. Take account of the conditions in your work area and the job in hand.** Using electric tools for purposes other than the one for which they are designed can result in dangerous situations.
 - h) **Keep the handles and grip surfaces dry, clean and free from oil and grease.** If the handles and grip surfaces are slippery, it will not be possible to operate and control the power tool safely in unforeseen situations.
 5. **Service**
 - a) **Have your power tool repaired only by trained personnel using only genuine spare parts.** This will ensure that your power tool remains safe to use.

Hedge trimmer safety warnings:

- a) **Keep all parts of the body away from the blade. Do not remove cut material or hold material to be cut when blades are moving.** Blades continue to move after the switch is turned off. A moment of inattention while operating the hedge trimmer may result in serious personal injury.
- b) **Carry the hedge trimmer by the handle with the blade stopped and taking care not to operate a power switch.** Proper carrying of the hedge trimmer will decrease the risk of inadvertent starting and resultant personal injury from the blades.
- c) **When transporting or storing the hedge trimmer, always fit the blade over.** Proper handling of the hedge trimmer will decrease the risk of personal injury from the blades.
- d) **When clearing jammed material or servicing the unit, make sure all power switches are off and the power cord is disconnected.** Unexpected actuation of the hedge trimmer while clearing jammed material or servicing may result in serious personal injury.
- e) **Hold the hedge trimmer by insulated gripping surfaces only, because the blade may contact hidden wiring or its own cord.** Blades contacting a „live“ wire may make exposed metal parts of the hedge trimmer „live“ and could give the operator an electric shock.
- f) **Keep all power cords and cables away from cutting area.** Power cords or cables may be hidden in hedges or bushes and can be accidentally cut by the blade.
- g) **Do not use the hedge trimmer in bad weather conditions, especially when there is a risk of lightning.** This decreases the risk of being struck by lightning.

Pole hedge trimmer safety warnings:

- a) **To reduce the risk of electrocution, never use the extended-reach hedge trimmer near any electrical power lines.** Contact with or use near power lines may cause serious injury or electric shock resulting in death.
- b) **Always use two hands when operating the extended-reach hedge trimmer.** Hold the extended-reach hedge trimmer with both hands to avoid loss of control.
- c) **Always use head protection when operating the extended-reach hedge trimmer overhead.** Falling debris can result in serious personal injury.

Additional safety instructions

- It is recommended to search the hedges and bushes for hidden objects such as wire fencing and cables.
- To further reduce the danger of electric shock, we recommend that you use a residual current device (RCD) with a trip current of 30 mA or less.
- Hold the hedge trimmer correctly, for example with both hands if it is fitted with two handles.
- The hedge trimmer is designed for work which the user can do when standing on the ground and not on a ladder or any other unstable surface.
- Before the hedge trimmer is used it is recommended that the user makes sure that the locking devices for any moving parts provided (e.g. the extended shaft and the swivel component) are in the locked position.
- The hedge trimmer is designed for work which the user can do when standing on the ground and not on a ladder or any other unstable surface.
- Before the hedge trimmer is used it is recommended that the user makes sure that the locking devices for any moving parts provided (e.g. the extended shaft and the swivel component) are in the locked position.
- If the cutting mechanism becomes jammed in thick branches, etc., stop using the hedge trimmer immediately. Disconnect the power plug before you start looking for the cause of the blockage.
- Proper inspection and maintenance of the hedge trimmer is required at regular intervals. Damaged blades should only be replaced as pairs. If the trimmer is damaged by falling or impact, it must be inspected by a qualified person.
- Do not use the hedge trimmer if it has a damaged or excessively worn cutter.
- Ensure that all handles and protective equipment are properly fitted when you are using the hedge trimmer.

This equipment is not designed to be used by people (including children) with limited physical, sensory or mental capacities or those with no experience and/or knowledge unless they are supervised by a person who is responsible for their safety or they have received instructions from such a person in to how to use the equipment safely. Children must always be supervised in order to ensure that they do not play with the equipment.

Keep this safety information in a safe place.

2. Layout and items supplied

2.1 Layout (Fig. 1/2)

1. Hedge trimmer unit
2. Grip area
3. Safety lock-off
4. Handle
5. Shoulder strap
6. Mains power cable
7. On/Off switch
8. Turning element
9. Tube mount
10. Fastening screw
11. Extension pipe
14. Motor unit
15. Cable strain-relief clip
16. Hand guard
17. Harness holder
18. Lock release to allow handle adjustment
19. Locking lever
20. Safety lever
21. Handle
22. Cutter rail guard

2.2 Items supplied

Please check that the article is complete as specified in the scope of delivery. If parts are missing, please contact our service center or the sales outlet where you made your purchase at the latest within 5 working days after purchasing the product and upon presentation of a valid bill of purchase. Also, refer to the warranty table in the service information at the end of the operating instructions.

- Open the packaging and take out the equipment with care.
- Remove the packaging material and any packaging and/or transportation braces (if available).
- Check to see if all items are supplied.
- Inspect the equipment and accessories for transport damage.
- If possible, please keep the packaging until the end of the guarantee period.

Danger!

The equipment and packaging material are not toys. Do not let children play with plastic bags, foils or small parts. There is a danger of swallowing or suffocating!

- Electric pole hedge trimmer
- Cutter rail guard
- Original operating instructions
- Safety instructions

3. Proper use


Important! This electric hedge trimmer is suitable for cutting hedges, bushes and shrubs.

Important! Do not use this tool to cut grass.

The equipment is to be used only for its prescribed purpose. Any other use is deemed to be a case of misuse. The user / operator and not the manufacturer will be liable for any damage or injuries of any kind caused as a result of this.

Please note that our equipment has not been designed for use in commercial, trade or industrial applications. Our warranty will be voided if the machine is used in commercial, trade or industrial businesses or for equivalent purposes.

4. Technical data

| | |
|-------------------------------------|--|
| Mains voltage: | 230-240 V~ 50 Hz |
| Power rating: | 900 W |
| Cutter bar length: | 460 mm |
| Tooth spacing | 20 mm |
| Cuts/min | 2100 |
| Weight excluding accessories: | 4.5 kg |
| Protection class: | II /  |

Danger!

Sound and vibration

Sound and vibration values were measured in accordance with ISO 22868.

| | |
|---|-------------|
| L_{pA} sound pressure level | 97.5 dB(A) |
| K_{pA} uncertainty | 3 dB |
| L_{WA} sound power level | 101.7 dB(A) |
| K_{WA} uncertainty | 2.45 dB |
| Guaranteed sound power level L_{WA} | 104 dB |

Wear ear-muffs.

The impact of noise can cause damage to hearing.

Handle under load

Vibration emission value

- Front handle $a_{h_1} = 1.488 \text{ m/s}^2$

- Rear handle $a_{h_2} = 1.574 \text{ m/s}^2$

Uncertainty $K = 1.5 \text{ m/s}^2$

The stated vibration emission levels and stated noise emission values were measured in accordance with a set of standardized criteria and can be used to compare one power tool with another.

The stated vibration emission levels and stated noise emission values can also be used to make an initial assessment of exposure.

Warning:

The vibration and noise emission levels may vary from the level specified during actual use, depending on the way in which the power tool is used, especially the type of workpiece it is used for.

Take appropriate measures to protect yourself against vibration stress. Take the entire work sequence into consideration including times at which the tool is not working under load or is switched off. Appropriate measures include among other things regular care and maintenance of the tool and tool attachments, keeping your hands warm, taking regular breaks and good work sequence planning.

Keep the noise emissions and vibrations to a minimum.

- Only use appliances which are in perfect working order.
- Service and clean the appliance regularly.
- Adapt your working style to suit the appliance.
- Do not overload the appliance.
- Have the appliance serviced whenever necessary.
- Switch the appliance off when it is not in use.
- Wear protective gloves.

Caution!**Residual risks**

Even if you use this electric power tool in accordance with instructions, certain residual risks cannot be ruled out. The following hazards may arise in connection with the equipment's construction and layout:

1. Cut injuries are possible if no protective clothing is used.
2. Lung damage if no suitable protective dust mask is used.

3. Damage to hearing if no suitable ear protection is used.
4. Health damage caused by hand-arm vibrations if the equipment is used over a prolonged period or is not properly guided and maintained.

5. Before starting the equipment

Before you connect the equipment to the mains supply make sure that the data on the rating plate are identical to the mains data.

Each day before use and after being dropped or suffering other types of impact, the tool must be examined for significant damage or defects.

Warning!

Always pull the power plug before making adjustments to the equipment.

Warning! The hedge trimmer must be fully assembled before you connect it to the power supply. To protect yourself against injury, always wear protective gloves when working on the hedge trimmer. Carefully unpack all parts and check that they are complete.

5.1 Fitting the extension tube and the hedge trimming unit

Depending on the height you need to reach, you can use the electric hedge trimmer with or without the extension tube (Fig. 2/Item 11).

5.1.1 Fitting the extension tube (Fig. 3a-3b)

- a) Slacken the fastening screw (Item 10) at the tube mount (Item 9) of the motor unit (Fig. 2/Item 14).
- b) Insert the extension tube (Item 11) into the tube mount (Item 9) on the motor unit.
- c) Pull the spring-loaded bolt ring (Item 9b) and push the extension tube (Item 11) a distance of approx. 45 mm into the tube mount (Item 9). Let go of the spring-loaded bolt ring (Item 9b).
- d) Turn the extension tube (Item 11) until you hear the spring-loaded bolt (Item 9a) latch in the locking hole (Item 11a). To secure, tighten the fastening screw (Item 10) again.

5.1.2 Fitting the saw unit (Fig. 4)

To fit the saw unit (Fig. 2/Item 1) on the extension tube (Fig. 2/Item 11), proceed as described in section 5.1.1. Fig. 4 shows the saw unit when fully fitted.

To dismantle the extension tube and the saw unit, proceed in reverse order.

If you do not need the extension tube (Fig. 2/Item 11), fit the saw unit (Fig. 2/Item 1) directly on the motor unit (Fig. 2/Item 14). Proceed with the fitting as described in section 5.1.1.

5.1.2 Fitting the hedge trimming unit (Fig. 4)

To fit the hedge trimming unit (Fig. 2/Item 1) on the extension tube (Fig. 2/Item 11), proceed as described in section 5.1.1. Fig. 4 shows the hedge trimming unit when fully fitted.

To dismantle the extension tube and the hedge trimming unit, proceed in reverse order.

If you do not need the extension tube (Fig. 2/Item 11), fit the hedge trimming unit (Fig. 2/Item 1) directly on the motor unit (Fig. 2/Item 14). Proceed with the fitting as described in section 5.1.1.

5.2 Adjusting the angle of tilt (Fig. 5)

Important! Disconnect the power plug before you adjust the tilt angle.

Press up the safety lever (Item 20), grip the handle (Item 21) and press down the locking lever (Item 19). Tilt the hedge trimmer blade (Item 19) and release the safety lever (Item 20) when the required angle of tilt is reached. Make sure that the locking lever engages correctly on the saw blade crown (Item A).

Important! The gear unit can become hot during operation.

6. Operation

Please note that the statutory regulations governing noise abatement may differ from one location to another.

6.1 Using the shoulder strap

Warning! Always use a shoulder strap when working with the tool. Always switch off the tool before you release the shoulder strap. Otherwise there is a risk of injury.

1. Fig. 6: Attach the hooks (Item 5a) of the shoulder strap fastener to the harness holder (Item 17).
2. Fig. 7: Place the shoulder strap (Item 5) over your shoulder and adjust the length of the

strap so that the strap holder is at waist level.

3. Important!

Fig. 8: The shoulder strap is equipped with a quick release. Press the hooks together (Item 5a) and pull the shoulder strap (Fig. 5) out of the harness holder if you need to put down the tool quickly.

6.2 Adjusting the handle (Fig. 9)

Important! Disconnect the power plug before you adjust the handle.

Push forward the release (Item 18) on the turning element (Item 8) and turn the handle (Item 4) to the required position (-90°/-45°/0°/45°/90°).

Make sure that the lock release latches in place correctly!

6.3 Connecting to the power supply

- Connect the power cable to a suitable extension cable. Make sure that the extension cable is designed for the power rating of the electric hedge trimmer.
- Secure the extension cable (Item A) as shown in Fig. 10 to protect it against pulling forces and accidental disconnection.
- Connect the extension cable to a professionally installed safety mains socket with ground contact. We recommend using a cable with a bright and highly visible color (red or yellow). This will reduce the risk of accidentally damaging it with the electric hedge trimmer.

6.4 Switching On/Off (Fig. 9)

a) Switching on

- Hold the electric hedge trimmer firmly with one hand on the handle (Item 4) and the other hand on the grip area (Fig. 1/Item 2).
- Push forward the safety lock-off (Item 3) and press the On/Off switch (Item 7). Let go of the safety lock-off (Item 3).

b) Switching off

- Release the On/Off switch (Item 7).
- Always disconnect the mains plug when you stop working, even if it is only for a short time.

Check that the blades work properly and make sure that they come to a standstill.

7. Working with the electric hedge trimmer

- An electric hedge trimmer can be used to cut shrubs and bushes as well as hedges.
- The twin-bladed cutters rotate in opposite directions, thus enabling cutting in both directions (see Figure 11).
- It is recommended to tie a guide line along the hedge so that you cut the hedge to a level height. Cut off all branches which protrude beyond the guide line (see Figure 12).
- Cut the sides of the hedge with curve-shaped movements from the bottom up (see Figure 13).
- Be sure to comply with noise protection regulations and local ordinances. Use of the hedge trimmer may be restricted or prohibited on certain days (e.g. Sundays and holidays), at certain times of the day (midday, nighttime) or in particular areas (e.g. health resorts, clinics, etc.).
- When you are cutting, ensure that you do not come into contact with any objects such as wire fences or plant supports. This may damage the cutter bar.
- Firmly hold the hedge trimmer in both hands, with one hand on the rear handle and the other hand on the front handle. Your fingers and thumbs should be wrapped around the handles.
- If a solid object blocks the cutter, immediately switch off the hedge trimmer, disconnect the power plug and remove the object.
- Always continue moving away from the power outlet as you work. Decide on the direction of cut before you start working.
- Make sure that the extension cable stays out of the work area. Never route the cable over the hedge where it could easily be caught by the cutter blades.
- Avoid subjecting the hedge trimmer to excessive stress while you are working.
- Cutting hedges in the shape of a trapezoid is recommended to prevent the lower branches from going bare. This corresponds to natural plant growth and allows your hedge to flourish. If you only cut back the new seasonal shoots when you are trimming, you will have a dense hedge which provides good privacy.

8. Replacing the power cable

Danger!

If the power cable for this equipment is damaged, it must be replaced by the manufacturer or its after-sales service or similarly trained personnel to avoid danger.

9. Cleaning, maintenance and ordering of spare parts

Danger!

Always pull out the mains power plug before starting any cleaning work.

9.1 Cleaning

- Keep all safety devices, air vents and the motor housing free of dirt and dust as far as possible. Wipe the equipment with a clean cloth or blow it with compressed air at low pressure.
- We recommend that you clean the device immediately each time you have finished using it.
- Clean the equipment regularly with a moist cloth and some soft soap. Do not use cleaning agents or solvents; these could attack the plastic parts of the equipment. Ensure that no water can seep into the device. The ingress of water into an electric tool increases the risk of an electric shock.

9.2 Carbon brushes

In case of excessive sparking, have the carbon brushes checked only by a qualified electrician.

Danger! The carbon brushes should not be replaced by anyone but a qualified electrician.

9.3 Maintenance

- To ensure best performance at all times you should clean and lubricate the blades when the job is finished or as and when required. Remove deposits with a brush and apply a thin film of oil (see Fig. 14).
- Clean all parts of the tilt angle adjuster (Fig. 5) when the job is finished or as and when required. Remove deposits with a brush and keep all moving parts running smoothly by then applying a thin film of oil.
- There are no other parts inside the tool which require maintenance.

9.4 Ordering replacement parts:

Please quote the following data when ordering replacement parts:

- Type of machine
- Article number of the machine
- Identification number of the machine
- Replacement part number of the part required

For our latest prices and information please go to www.Einhell-Service.com

10. Faults

The tool does not work:

Check that the power cable is connected properly and check the mains fuses. If the tool will not work in spite of the voltage supply being OK, please send it to the customer service address provided.

11. Disposal and recycling

The equipment is supplied in packaging to prevent it from being damaged in transit. The raw materials in this packaging can be reused or recycled. The equipment and its accessories are made of various types of material, such as metal and plastic. Never place defective equipment in your household refuse. The equipment should be taken to a suitable collection center for proper disposal. If you do not know the whereabouts of such a collection point, you should ask in your local council offices.

12. Storage and transportation

- Store the tool and its accessories out of the reach of children in a dark and dry place at above freezing temperature. The ideal storage temperature is between 5 and 30°C.
- Always hold the tool with one hand on the main handle and the other hand on the additional handle.
- Do not carry the tool by its motor housing.
- Secure the tool against slipping if you transport it in a vehicle.
- If possible, use the original packaging for transporting the tool.
- Clean the electric hedge trimmer and carry out its maintenance before you put it into storage.
- During storage or transportation, use the supplied safety guard for the hedge trimmer blade.

Disposal

Power tools, rechargeable batteries, accessories and packaging should be sorted for environmental-friendly recycling.

Do not dispose of power tools and batteries/rechargeable batteries into household waste!

Only for EU countries:

According to the Directive 2012/19/EU on waste electrical and electronic equipment and its transposition into national law, power tools that are no longer usable, and, according to the Directive 2006/66/EC, defective or drained batteries must be collected separately and disposed of in an environmentally correct manner.

If disposed incorrectly, waste electrical and electronic equipment may have harmful effects on the environment and human health, due to the potential presence of hazardous substances.

Only for United Kingdom:

According to The Waste Electrical and Electronic Equipment Regulations 2013 (SI 2013/3113) (as amended) and the Waste Batteries and Accumulators Regulations 2009 (SI 2009/890) (as amended), products that are no longer usable must be collected separately and disposed of in an environmentally friendly manner.

The reprinting or reproduction by any other means, in whole or in part, of documentation and papers accompanying products is permitted only with the express consent of the Einhell Germany AG.

Subject to technical changes

Service information

We have competent service partners in all countries named on the guarantee certificate whose contact details can also be found on the guarantee certificate. These partners will help you with all service requests such as repairs, spare and wearing part orders or the purchase of consumables.

Please note that the following parts of this product are subject to normal or natural wear and that the following parts are therefore also required for use as consumables.

| Category | Example |
|---------------|-----------------------------|
| Wear parts* | Blade guide, Carbon brushes |
| Consumables* | Blade |
| Missing parts | |

* Not necessarily included in the scope of delivery!

In the event of defects or faults, please register the problem on the internet at www.Einhell-Service.com. Please ensure that you provide a precise description of the problem and answer the following questions in all cases:

- Did the equipment work at all or was it defective from the beginning?
- Did you notice anything (symptom or defect) prior to the failure?
- What malfunction does the equipment have in your opinion (main symptom)?
Describe this malfunction.

Warranty certificate

Dear Customer,

All of our products undergo strict quality checks to ensure that they reach you in perfect condition. In the unlikely event that this equipment develops a fault, please contact our service department at the address shown on this guarantee card. You can also contact us by telephone using the service number shown. Please note the following terms under which guarantee claims can be made:

1. These guarantee terms apply solely to consumers, i.e. natural persons, who do not want to use this product in connection with either their commercial or other self-employed activities. These guarantee terms regulate additional guarantee services which the undermentioned manufacturer promises to buyers of its new products in addition to their statutory rights of guarantee. Your statutory rights of guarantee are not affected by this guarantee. Our guarantee is free of charge to you.
2. The guarantee services cover only defects due to material or manufacturing faults on the new product which you have bought in the European Union from the undermentioned manufacturer and are limited to either the rectification of said defects or the replacement of the product, whichever we prefer. Please note that only equipment under the brand name "Professional" has been designed for use in commercial, trade or professional applications. For all other products the guarantee is invalidated if the equipment is used within the guarantee period in commercial, trade or industrial applications or for other equivalent activities.
3. Our guarantee does not cover:
 - Damage to the equipment caused by failure to comply with the installation/assembly instructions or by unprofessional installation; damage caused by failure to comply with the operating instructions (e.g. connection to the wrong mains voltage or current type); damage caused by failure to comply with the maintenance and safety regulations; damage caused by exposing the equipment to abnormal environmental conditions; damage resulting from poor care and maintenance.
 - Damage to the equipment caused by misuse or incorrect applications (e.g. overloading the equipment or using non-approved attachments or accessories); damage caused by foreign bodies (e.g. sand, stones, dust, ...) getting inside the equipment. Damage in transit; damage caused by force or external influences (e.g. by dropping the equipment).
 - Damage to the equipment or parts of the equipment which is owed to use-related, normal or otherwise natural wear. For example, batteries and battery packs are manufactured with a cycle limit for design-related reasons. Wear is negatively influenced in particular by load demands and charging speeds as well as exposure to heat, cold, vibration and impact.
4. The guarantee is valid for a period of 2 years starting from the purchase date of the equipment. Guarantee claims must be submitted before the end of the guarantee period and within two weeks of the defect being noticed. No guarantee claims will be accepted after the end of the guarantee period. The original guarantee period remains applicable to the equipment even if repairs are carried out or parts are replaced. In such cases, the work performed or parts fitted will not result in an extension of the guarantee period, and no new guarantee will become active for the work performed or for any replacement parts fitted. This also applies if on-site service is used.
5. To assert your guarantee claim, register the defective equipment at: www.Einhell-Service.com. You will need to provide proof of purchase of the new item of equipment. Equipment returned without such proof or without a rating plate are excluded from the guarantee services because of the lack of traceability. If the defect is covered by our guarantee, then either the item in question will be repaired immediately and returned to you or we will send you a new replacement.
6. If you have taken the equipment with you to a different EU country than where you bought it, we will arrange for a local service partner to provide the guarantee services. If you take the equipment outside the EU, the guarantee will not apply.

Of course, we are also happy to offer a chargeable repair service for any defects which are not covered or no longer covered by the scope of this guarantee. To take advantage of this service, please send the equipment to our service address. We draw attention to the restrictions of this guarantee concerning wear parts, consumables and missing parts as presented in the service information included in this operating manual.

Warrantor/ Service:

Einhell UK Ltd, Unit 10, 1st Floor, Champion's Business Park, Arrowe Brook Road, Upton, Wirral, CH49 0UQ



- D** Konformitätserklärung: Wir erklären Konformität gemäß EU-Richtlinie und Normen für Artikel
- GB** Declaration of conformity: We declare conformity in accordance with the EU directive and standards for article
- F** Déclaration de conformité : Nous déclarons la conformité conformément aux directives et normes UE pour l'article
- I** Dichiarazione di conformità: dichiariamo la conformità secondo la direttiva UE e le norme per l'articolo
- DK** Overensstemmelseerklæring: Vi attesterer overensstemmelse iht. EU-direktiv samt standarder for artikel
- S** Försäkran om överensstämmelse: Vi förklarar följande överensstämmelse enl. EU-direktiv och standarder för artikeln
- CZ** Prohlášení o shodě: Prohlašujeme shodu podle směrnice EU a norem pro výrobek
- SK** Vyhlásenie o zhode: Vyhlasujeme zhodu podľa smernice EÚ a noriem pre výrobok
- NL** Conformiteitsverklaring: wij verklaren conformiteit conform EU-richtlijn en normen voor artikel
- E** Declaración de conformidad: declaramos la conformidad a tenor de la directiva y normas de la UE para el artículo
- FIN** Standardinmukaisuus todistus: Me vakuutamme, että EU-direktiivin ja standardien vaatimukset täyttyvät tuotteelle
- SLO** IZJAVA O SKLADNOSTI potrjuje sledečo skladnost s smernico EU in standardi za izdelek
- H** Konformitási nyilatkozat: Az EU-irányvonal és normák szerinti konformitást jelentjük ki a cikkhez
- RO** Declarație de conformitate: Declaram conformitate conform directivei și normelor UE pentru articolul
- GR** Δήλωση συμμόρφωσης: Δηλώνουμε συμμόρφωση σύμφωνα με Οδηγία Εε και πρότυπα για τα προϊόντα
- P** Declaração de conformidade: Declaramos a conformidade de acordo com a diretiva CE e normas para o artigo
- HR** IZJAVA O SUKLADNOSTI potvrđuje sljedeću usklađenost prema smjernicama EU i normama za artikl
- BIH** IZJAVA O SUKLADNOSTI potvrđuje sljedeću usklađenost prema smjernicama EU i normama za artikl
- RS** DEKLARACIJA O USUGLAŠENOST potvrđuje sledeću usklađenost prema smernicama EZ i normama za artikl
- TR** Uygunluk Deklarasyonu: AB direktifi ve ürün standartları uyarınca uygunluğunu beyan ederiz
- RUS** Заявление о соответствии товара: Настоящим удостоверяется, что следующие продукты соответствуют директивам и нормам ЕС
- EE** Vastavusdeklaratsioon: Tõendame toote vastavust EL direktiivile ja standarditele
- LV** Atbilstības deklarācija: Mēs apliecinām atbilstību ES direktīvai un standartiem tālāk minētajām precēm
- LT** Atitikties deklaracija: deklaruojame, kad gaminyms atitinka ES direktyvą ir standartus
- PL** Deklaracja Zgodności - deklarujemy zgodność wymienionego poniziej artykułu z następującymi normami na podstawie dyrektywy EU
- BG** Декларация за съответствие: Ние декларираме съответствие на Директивите и нормите (ЕС) за изделия
- UKR** Декларація відповідності: ми заявляємо про відповідність згідно з Директивою ЄС та стандартами стосовно артикула
- MK** Izjava za soobraznost: Izjavуvаme soobraznost со регулативата и со нормите на EY за артикли
- N** Samsvarserklæring: Vi erklærer samsvar i henhold til EU-direktiv og standarder for artikkel
- IS** Samræmisýfirlýsing: Við útskúrdum samræmi við EU-reglugerð og stöðlum fyrir vörutegund

Elektro-Heckenschere* GC-HH 9046 (Einhell)

- 2014/29/EU
- 2005/32/EC_2009/125/EC
- (EU)2015/1188
- 2014/35/EU
- 2006/28/EC
- 2014/30/EU
- 2014/32/EU
- 2014/53/EU
- 2014/68/EU
- (EU)2016/426
- Notified Body:
- (EU)2016/425
- 2011/65/EU_(EU)2015/863
- 2006/42/EC
- Annex IV
- Notified Body:
- Reg. No.:
- 2000/14/EC_2005/88/EC
- Annex V
- Annex VI
- Noise: measured $L_{WA} = 101,7$ dB (A); guaranteed $L_{WA} = 104$ dB (A)
- P = 0,9 kW; L/Ø = cm
- Notified Body:
- 2012/46/EU_(EU)2016/1628
- Emission No.:

Standard references: EN 62841-1; EN 62841-4-2; EN IEC 55014-1; EN IEC 55014-2; EN IEC 61000-3-2; EN 61000-3-3

Einhell Germany AG · Wiesenweg 22 · D-94405 Landau/Isar

Landau/Isar, den 03.08.2023

Andreas Weichselgartner/General-Manager

Shao Wei/Product-Management

First CE: 22
Art.-No.: 34.038.81 I.-No.: 21013
Subject to change without notice

Archive-File/Record: NAPR030496
Documents registrar: Hofner Felix
Wiesenweg 22, D-94405 Landau/Isar

* GB Electric hedge trimmer - F Taille-haies électrique - I Cesioie per siepi elettriche - DK/N Eldreven haekkeklipper - S Elektrisk häcksax - CZ Elektrické plotové nůžky - SK Elektrické záhradnicke nožnice - NL Elektrische heggenchaar - E Tjeras recortasetos eléctricas - FIN Sähkökäyttöiset pensassaaksat - SLO Električne škarje za živo mejo - H Elektromos-kerti olló - RO Foarfeca printru gard viu electric - GR Ηλεκτρικός Φυλλοκοπτής - P Corta-sebes eléctrico - HR/BIH Električne škarje za živo me - RS Električne makaze za živo me - PL Elektryczne nożyce do żywoplotu - TR Elektrikli çim makası - RUС Электрические садовые ножицы - EE Elektriline heklõikur - LV Elektrišās dzīvžogu šķēres - LT Elektrinės sodo žirklės - BG Электрическа градинска ножица - UKR Електричні садові ножиці - MK Електро-ножица за жива ограда



Declaration of conformity

We, Einhell UK Ltd

Champions Business Park, First Floor Unit 10, Arrowe Brook Rd, Upton, Wirral CH49 0AB,
United Kingdom

declare the conformity to UK standards and legislation was assessed for:

Electric Hedge Trimmer GC-HH 9046 (Einhell)

UK legislation

- | | |
|--|--|
| <input type="checkbox"/> Simple Pressure Vessels (Safety) Regulation | <input checked="" type="checkbox"/> Electromagnetic Compatibility Regulation |
| <input type="checkbox"/> Electrical Equipment (Safety) Regulation | <input type="checkbox"/> Measuring Instruments Regulation |
| <input type="checkbox"/> Radio Equipment Regulation | <input type="checkbox"/> Pressure Equipment (Safety) Regulation |
| <input type="checkbox"/> Personal Protective Equipment Regulation | |
| <input type="checkbox"/> The Ecodesign for Energy-Related Products and Energy Information Regulation | |
| <input checked="" type="checkbox"/> The Restriction of the Use of Certain Hazardous Substances in Electrical and Electronic Equipment Regulation | |
| <input checked="" type="checkbox"/> Noise Emission in the Environment by Equipment for use Outdoors Regulation | |
| <input checked="" type="checkbox"/> Annex V | |
| <input type="checkbox"/> Annex VI | |
| Noise: measured $L_{WA} = 101.7$ dB (A); guaranteed $L_{WA} = 104$ dB (A) P = 0.9 kW; L/Ø = cm UK Approved Body: | |
| <input checked="" type="checkbox"/> Supply of Machinery (Safety) Regulation | |
| <input type="checkbox"/> Annex IV | |
| UK Approved Body: UKTE Certificate No.: | |

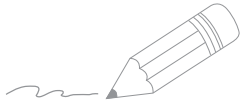
**Standards: BS EN 62841-1; BS EN 62841-4-2; BS EN IEC 55014-1; BS EN IEC 55014-2;
BS EN IEC 61000-3-2; BS EN 61000-3-3**

Wirral, 2023.08.03


Tom Chambers, Managing Director Einhell UK Ltd.

Article Number: 34.038.81 I-No.: 21013
Subject to change without notice

Archive-File/Record: NAPR030496
Documents registrar: Hofner Felix
Wiesenweg 22, 94405 Landau/Isar, Germany





EH 09/2023 (01)

