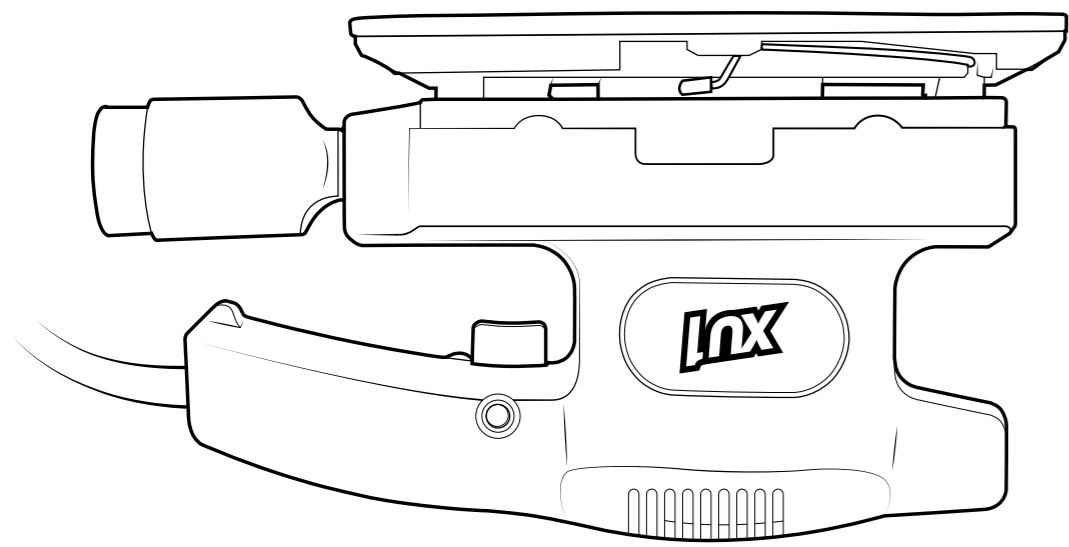


REPLACEMENT WARRANTY
12 MONTHS HOME USE



135W
Orbital Sander
IXO

XU1 Power tools

iSC GmbH, Eschenstraße 6, D-94405 Landau, Germany

Telephone: GB: 0151 294 4488 / IRL: 1850 882711

SAFETY INSTRUCTIONS

ALWAYS WEAR EYE, FACE AND EAR PROTECTION

Description of symbols

- Read instruction manual
- Do not expose to rain
- Wear dust mask
- Wear ear protection
- Wear eye protection
- Double insulated
- V** Volts
- ~** Alternating current
- /min** Revolutions, reciprocations or strokes per minute
- no** No load speed
- Hz** Hertz
- W** Watts
- Warning

GENERAL POWER TOOL SAFETY WARNINGS

WARNING! Read all safety warnings and all instructions. Failure to follow the warnings and instructions may result in electric shock, fire and/or serious injury. **Save all warnings and instructions for future reference.** The term "power tool" in all of the warnings refers to your mains-operated (corded) power tool or battery-operated (cordless) power tool.

1) Work area safety

- a) Keep work area clean and well lit.** Cluttered and dark areas invite accidents.
- b) Do not operate power tools in explosive atmospheres, such as in the presence of flammable liquids, gases or dust.** Power tools create sparks which may ignite the dust or fumes.
- c) Keep children and bystanders away while operating a power tool.** Distractions can cause you to lose control.

2) Electrical safety

- a) Power tool plugs must match the outlet. Never modify the plug in any way. Do not use any adapter plugs with earthed (grounded) power tools.** Unmodified plugs and matching outlets will reduce risk of electric shock.
- b) Avoid body contact with earthed or grounded surfaces such as pipes, radiators, ranges and refrigerators.** There is an increased risk of electric shock if your body is earthed or grounded.
- c) Do not expose power tools to rain or wet conditions.** Water entering a power tool will increase the risk of electric shock.
- d) Do not abuse the cord. Never use the cord for carrying, pulling or unplugging the power tool. Keep cord away from heat, oil, sharp edges or moving parts.** Damaged or entangled cords increase the risk of electric shock.
- e) When operating a power tool outdoors, use an extension cord suitable for outdoor use.** Use of a cord suitable for outdoor use reduces the risk of electric shock.
- f) If operating a power tool in a damp location is unavoidable, use a residual current device (RCD) protected supply.** Use of an RCD reduces the risk of electric shock.

3) Personal safety

- a) Stay alert, watch what you are doing and use common sense when operating a power tool. Do not use a power tool while drugs, alcohol or medication.** A moment of inattention while operating power tools may result in serious personal injury.
- b) Use personal protective equipment. Always wear eye protection.** Personal protective equipment such as dust mask, non-skid safety shoes, hard hat, or hearing protection used for appropriate conditions will reduce personal injuries.

c) Prevent unintentional starting. Ensure the switch is in the off-position before connecting to power source and/or battery pack, picking up or carrying the tool. Carrying power tools with your finger on the switch or energising power tools that have the switch on invites accidents.

d) Remove any adjusting key or wrench before turning the power tool on. A wrench or a key left attached to a rotating part of the power tool may result in personal injury.

e) Do not overreach. Keep proper footing and balance at all times. This enables better control of the power tool in unexpected situations.

f) Dress properly. Do not wear loose clothing or jewellery. Keep your hair, clothing and gloves away from moving parts. Loose clothes, jewellery or long hair can be caught in moving parts.

g) If devices are provided for the connection of dust extraction and collection facilities, ensure these are connected and properly used. Use of dust collection can reduce dust-related hazards.

4) Power tool use and care

- a) Do not force the power tool. Use the correct power tool for your application.** The correct power tool will do the job better and safer at the rate for which it was designed.
- b) Do not use the power tool if the switch does not turn it on and off.** Any power tool that cannot be controlled with the switch is dangerous and must be repaired.
- c) Disconnect the plug from the power source and/or the battery pack from the power tool before making any adjustments, changing accessories, or storing power tools.** Such preventive safety measures reduce the risk of starting the power tool accidentally.
- d) Store idle power tools out of the reach of children and do not allow persons unfamiliar with the power tool or these instructions to operate the power tool.** Power tools are dangerous in the hands of untrained users.
- e) Maintain power tools. Check for misalignment or binding of moving parts, breakage of parts and any other condition that may affect the power tools operation. If damaged, have the power tool repaired before use.** Many accidents are caused by poorly maintained power tools.
- f) Keep cutting tools sharp and clean.** Properly maintained cutting tools with sharp cutting edges are less likely to bind and are easier to control.
- g) Use the power tool, accessories and tool bits etc. in accordance with these instructions and in the manner intended for the particular type of power tool, taking into account the working conditions and the work to be performed.** Use of the power tool for operations different from those intended could result in a hazardous situation.

5) Service

a) Have your power tool serviced by a qualified repair person using only identical replacement parts. This will ensure that the safety of the power tool is maintained.

ADDITIONAL SAFETY INSTRUCTIONS FOR SANDERS

WARNING! This appliance is not intended for use by persons (including children) with reduced physical, sensory or mental capabilities, or lack of experience and knowledge, unless they have been given supervision or instruction concerning use of the appliance by a person responsible for their safety.

Safety Warnings common for Sanding Operations:

- a) This power tool is intended to function as a sander. Read all safety warnings, instructions, illustrations and specifications provided with this power tool.** Failure to follow all instructions listed below may result in electric shock, fire and/or serious injury.
- b) Operations such as grinding, wire brushing or cutting-off are not recommended to be performed with this power tool.** Operations for which the power tool was not designed may create a hazard and cause personal injury.
- c) Do not use accessories which are not specifically designed and recommended by the tool manufacturer.** Just because the accessory can be attached to your power tool, it does not assure safe operation.
- d) The rated speed of the accessory must be at least equal to the maximum speed marked on the power tool.** Accessories running faster than their rated speed can break and fly apart.
- e) The outside diameter and the thickness of your accessory must be within the capacity rating of your power tool.** Incorrectly sized accessories cannot be adequately guarded or controlled.
- f) Threaded mounting of accessories must match the spindle thread.** Accessories that do not match the mounting hardware of the power tool will run out of balance, vibrate excessively and may cause loss of control.
- g) Do not use a damaged accessory. Before each use inspect the accessory such as a backing pad for cracks, tears or excess wear. If power tool or accessory is dropped, inspect for damage or install an undamaged accessory. After inspecting and installing an accessory, position yourself and bystanders away from the plane of the rotating accessory and run the power tool at maximum no-load speed for one minute.** Damaged accessories will normally break apart during this test time.
- h) Wear personal protective equipment. Depending on application, use face shield, safety goggles or safety glasses. As appropriate, wear dust mask, hearing protectors, gloves and workshop apron capable of stopping small abrasive or work piece fragments.** The eye protection must be capable of stopping flying debris generated by various operations. The dust mask or respirator must be

capable of filtering particles generated by your operation. Prolonged exposure to high intensity noise may cause hearing loss.

- i) Keep bystanders a safe distance away from work area. Anyone entering the work area must wear personal protective equipment.** Fragments of work piece or of a broken accessory may fly away and cause injury beyond immediate area of operation.
 - k) Position the cord clear of the spinning accessory.** If you lose control, the cord may be cut or snagged and your hand or arm may be pulled into the spinning accessory.
 - l) Never lay the power tool down until the accessory has come to a complete stop.** The spinning accessory may grab the surface and pull the power tool out of your control.
 - m) Do not run the power tool while carrying it at your side.** Accidental contact with the spinning accessory could snag your clothing, pulling the accessory into your body.
 - n) Regularly clean the power tool's air vents.** The motor's fan will draw the dust inside the housing and excessive accumulation of powdered metal may cause electrical hazards.
 - o) Do not operate the power tool near flammable materials.** Sparks could ignite these materials.
 - p) Do not use accessories that require liquid coolants.** Using water or other liquid coolants may result in electrocution or shock.
- Kickback and Related Warnings**
Kickback is a sudden reaction to a pinched or snagged rotating wheel, backing pad, brush or any other accessory. Pinching or snagging causes rapid stalling of the rotating accessory which in turn causes the uncontrolled power tool to be forced in the direction opposite of the accessory's rotation at the point of the binding.
For example, if an abrasive wheel is snagged or pinched by the work piece, the edge of the wheel that is entering into the pinch point can dig into the surface of the material causing the wheel to climb out or kick out. The wheel may either jump toward or away from the operator, depending on direction of the wheel's movement at the point of pinching. Abrasive wheels may also break under these conditions.
Kickback is the result of power tool misuse and/or incorrect operating procedures or conditions and can be avoided by taking proper precautions as given below.
- a) Maintain a firm grip on the power tool and position your body and arm to allow you to resist kickback forces. Always use auxiliary handle, if provided, for maximum control over kickback or torque reaction during start-up.** The operator can control torque reactions or kickback forces, if proper precautions are taken.
 - b) Never place your hand near the rotating accessory.** Accessory may kickback over your hand.
 - c) Do not position your body in the area where power tool will move if kickback occurs.** Kickback will propel the tool in

direction opposite to the wheel's movement at the point of snagging.

- d) Use special care when working corners, sharp edges etc. Avoid bouncing and snagging the accessory.** Corners, sharp edges or bouncing have a tendency to snag the rotating accessory and cause loss of control or kickback.
- e) Do not attach a saw chain woodcarving blade or toothed saw blade.** Such blades create frequent kickback and loss of control.

Safety Warnings Specific for Sanding Operations

a) Do not use excessively oversized sanding disc paper. Follow manufacturers recommendations, when selecting sanding paper. Larger sanding paper extending beyond the sanding pad presents a laceration hazard and may cause snagging, tearing of the disc or kickback.

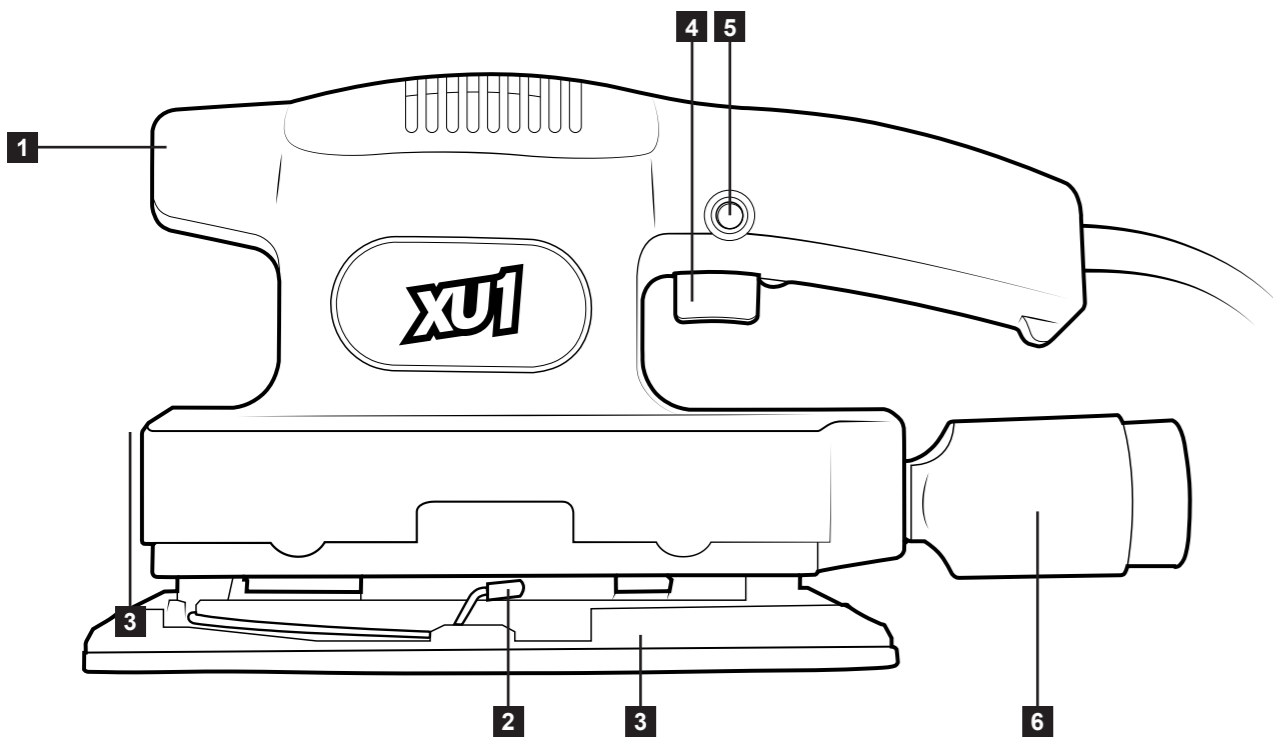
Unplug the sander before changing accessories. Accidental start-ups may occur if the sander is plugged in while changing an accessory.

Disposing of dust. Be extremely careful of dust disposal, materials in fine particle form may be explosive. Do not throw sanding dust on an open fire. Spontaneous combustion, may in time, result from a mixture of oil or water with dust particles.

WARNING! Some dust created by power sanding, sawing, grinding, drilling and other construction activities contain chemicals known to cause cancer, birth defects or other reproductive harm.

- Some examples of these chemicals are:
- Lead from lead-based paints;
 - Crystalline silica from bricks, cement and other masonry products, and;
 - Arsenic and chromium from chemically-treated timber.

The risk from such exposures vary depending on how often you do this type of work. To reduce your exposure to these chemicals; work in a well ventilated area, and work with approved safety equipment, such as those dust masks that are specifically designed to filter out microscopic particles.



- 1 Front Handle
- 2 Metal Clamp
- 3 1/3 Sheet Base Plate
- 4 On/Off Trigger
- 5 Lock-On Button
- 6 Dust Extraction Adaptor

SPECIFICATIONS

Input Voltage:	220-240V~ 50Hz
Input Power:	135W
No Load Speed:	12,000/min
Sheet Size:	1/3 Sheet
Pad Size:	187x90mm
Weight:	1.16kg

USING YOUR ORBITAL SANDER

WARNING! Before use always read the safety instructions given on the rear of this manual. Failure to comply with the precautions stated could lead to a fire, serious injury or death.

WARNING! Never use the tool without sandpaper fitted. It will damage the base plate and void the warranty.

Your XU1 1/3 Sheet Orbital Sander has been designed to sand all types of material when used in a DIY (Do It Yourself) context or for hobbyist purposes. It is not built for continuous daily use in a trade or professional capacity.

You will need to select the appropriate sandpaper depending on the finish and type of work piece, and attach it to the base plate of the tool.

The electric motor of the tool drives the base plate with a continuous tight elliptical motion which simulates the orbital action used when sanding by hand. This causes some vibration but produces excellent sanding results.

Channels within the tool connect the holes in the base plate to the rear of the tool to keep the dust from flying in your face and to help prevent the sandpaper from becoming clogged. A dust extraction adaptor supplied can be used to connect a dust bag to the tool to reduce the amount of dust falling on furniture or being inhaled. For greater efficiency of dust extraction you can connect a vacuum cleaner to the adaptor.

We recommend that nearby furnishings are covered and a dust mask is worn whilst sanding.

Selecting the correct sandpaper

40 Grit	Very coarse
60 Grit	Coarse
80 Grit	Coarse / medium
100 Grit	Medium / fine
150 Grit	Fine
240 Grit	Very fine

Coarse sandpaper is suitable for sanding sawn softwood like pine and other rough work.

Medium to fine grades produce good finish ready for light hand sanding and for smoothing old paint ready for the next coat. On veneers, use only very fine sandpaper.

Fitting sandpaper

WARNING! Be sure to disconnect the Sander from the power supply before attaching or removing sandpaper.

1. Soften the sandpaper by rubbing its non-abrasive side over the edge of a workbench a few times.

2. Press the sandpaper clamp lever at the front and rear of the tool upwards to release them from their retaining grooves then press them down to open the clamps. **Fig A**

3. Place the sandpaper on to the base plate ensuring that the edge of the sandpaper lines up with the base plate.

4. Insert the front edge of the sandpaper into the front sandpaper clamp and press the front clamp lever down until it locates in its retaining groove. **Fig B**

5. While keeping a slight tension on the sandpaper, insert the rear edge into the rear sandpaper clamp and press down the rear sandpaper clamp lever until it locates into its retaining groove.

Dust extraction

With the adaptor fitted to the tool it is possible to connect the sander to a dust extractor such as a vacuum cleaner to remove dust from the work piece.

1. Push the dust extraction adaptor into the back of the sander. **Fig C**

Starting your sanding

Note: Always use sandpaper that is not over worn. Worn sandpaper can damage the pad of the base plate. These pads are not covered under warranty.

1. Ensure that the work piece is secured to avoid movement while operating.

2. Clean your work area before you begin a project. An uncluttered work area reduces the chance of accident and injury when using power tools.

3. Place the sander lightly on the surface, firmly grip the sander and squeeze the On/Off trigger switch to switch on the motor. **Fig D**

4. Starting the motor with the sander away from the material may cause scratching when you make contact.

Sanding

1. Keeping the On/Off trigger switch engaged, move the sander in long, overlapping movements, avoiding tipping to one side or staying in the one spot.

2. For sustained sanding you can press the lock-on switch to keep the On/Off trigger switch engaged. **Fig E**
To release the lock-on switch, press the trigger switch then release it.

3. Keep the sander moving at all times. Leaving it one place even for a few seconds can cause an uneven finish.

4. Let the sander do the sanding. Do not lean heavily or apply excessive pressure. It will wear out your sandpaper much quicker and may damage the motor.

5. Try not to remove too much material at one time as this may cause excessive wear on your sander.

6. Sanding with the grain of the wood gives the smoothest final finish.

7. Turn off your sander whilst you still have contact with the sanded surface and then lift it off the work piece.

8. Make sure that the base plate has stopped moving before you set it down again.

9. Regularly check the condition of the sandpaper and replace it when worn.

10. Change to a finer sandpaper as soon as the scratches left by the previous grade disappear.

11. Remove dust between changing sandpaper.

12. Finish with a light hand sanding.

13. Carefully brush off all the loose dust before

WARNING! Do not use the same sandpaper for wood and metal. Metal particles become embedded in the sandpaper and will scour a wooden surface.

MAINTENANCE

WARNING! Ensure the tool is turned off and disconnected from the power supply before performing any of the following operations.

1. When not in use the Orbital Sander should be stored in a dry, frost free location not within reach of children.

2. Keep ventilation slots of the Orbital Sander clean at all times and prevent any foreign matter from entering them. 3. If the enclosure of the Orbital Sander requires cleaning do not use solvents but a moist soft cloth only.

4. The grease in the gearbox will require replacement/ replenishment after extensive use of the Orbital Sander. Please see your authorised service agent to provide this service.

5. Regularly check the carbon brushes. Brushes should be replaced before they wear out. Both brushes should be replaced at the same time.

6. If the supply cord of this power tool is damaged, it must be replaced by a specially prepared cord available through the service organization. should be replaced before they wear out. Both brushes should be replaced at the same time.

NOTE: XU1 Tools will not be responsible for any damage or injuries caused by repair of the Orbital Sander by an unauthorised person or by mishandling of the tool.

WARRANTY

All of our products undergo strict quality checks to ensure that they reach you in perfect condition. In the unlikely event that your device develops a fault, please contact our service department at the address shown on this guarantee card. You can also contact us by telephone using the customer service number shown. Please note the following terms under which guarantee claims can be made:

1. These warranty terms regulate additional warranty services, which the manufacturer mentioned below promises to buyers of its new products in addition to their statutory guarantee claims are not affected by this guarantee. Our guarantee is free of charge to you.

2. The warranty services only covers defects due to material or manufacturing faults on a product which you have bought from the manufacturer mentioned below are limited to either the rectification of said defects on the product or the replacement of the product, whichever we prefer. Please note that our devices are not designed for use in commercial, trade or professional applications. A guarantee contract will not be created if the device has been used by commercial, trade or industrial business or has been exposed to similar stresses during the guarantee period.

3. The following are not covered by our guarantee:
- Damage to the device caused by a failure to follow the assembly instructions or due to incorrect installation, a failure to follow the operating instructions (for example connecting it to an incorrect mains voltage or current type) or a failure to follow the maintenance and safety instructions or by exposing the device to abnormal environmental conditions or by lack of care and maintenance.
- Damage to the device caused by abuse or incorrect use (for example overloading the device or the use or unapproved tools or accessories), ingress of foreign bodies into the device (such as sand, stones or dust, transport damage), the use of force or damage caused by external forces (for example by dropping it).
- Damage to the device or parts of the device caused by normal or natural wear or tear or by normal use of the device.

4. Your Product is guaranteed for a period of 12 months from the original date of purchase and is intended for DIY (Do It Yourself) use only. Warranty excludes consumable parts. Guarantee claims should be submitted before the end of the guarantee period within two weeks of the defect being noticed. No guarantee claims will be accepted after the end of the guarantee period. The original guarantee period remains applicable to the device even if repairs are carried out or parts are replaced. In such cases, the work performed or parts fitted will not result in an extension of the guarantee period, and no new guarantee will become active for the work performed or parts fitted. This also applies if an on-site service is used.

IN ORDER TO MAKE A CLAIM UNDER THIS WARRANTY YOU MUST RETURN THE PRODUCT TO THE PLACE OF PURCHASE WITH YOUR REGISTER RECEIPT.

Please refer to the restrictions of this warranty concerning wearing parts, consumables and missing parts as set out in the service information in these operating instructions.

CUSTOMER SERVICE HELPLINE
GB: 0151 294 4488
IRL: 1850 882711

XU1
Unit 9 Stadium Court, Wirral International Business Park, Plantation Road, Bromborough, Wirral, CH62 3QG