

Ⓢ Assembling the base frame

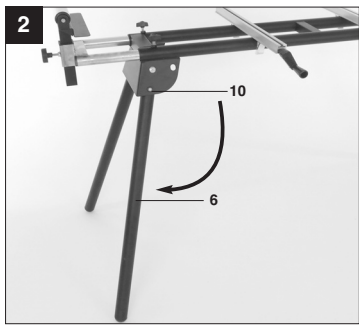
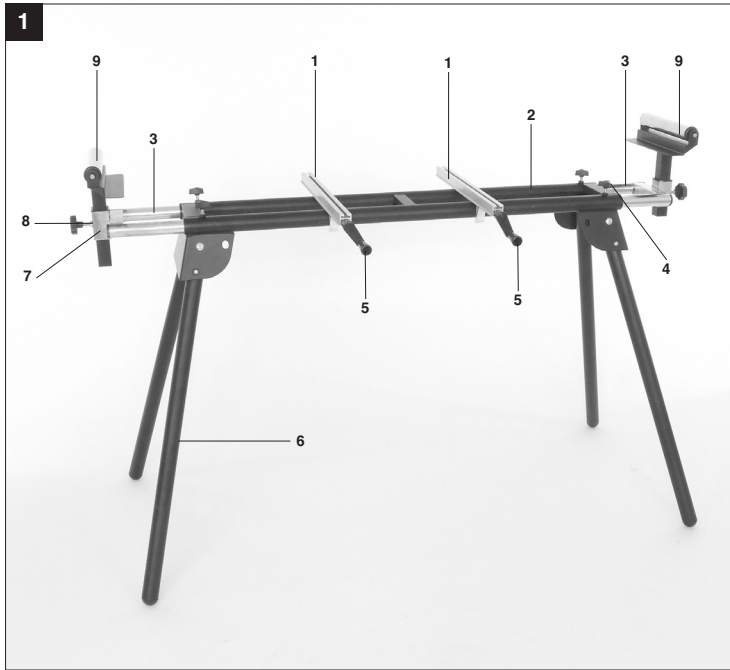
Einhell[®]

7

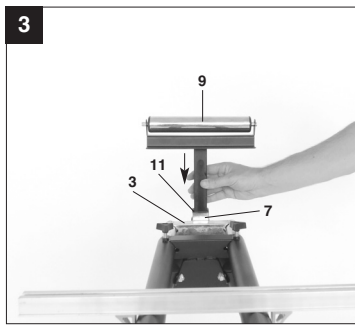
Art.-Nr.: 43.106.11

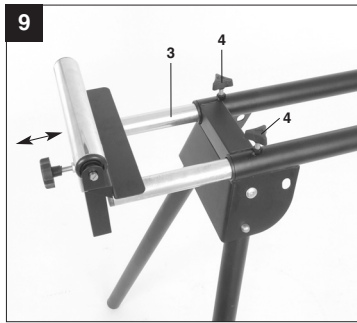
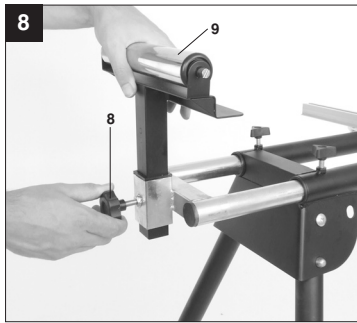
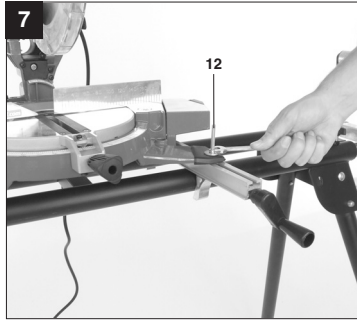
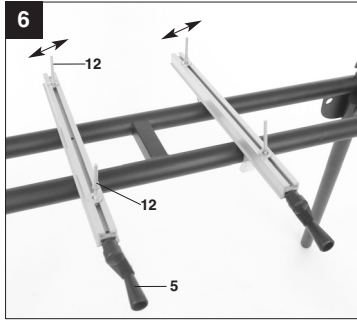
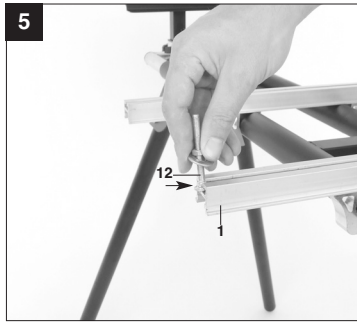
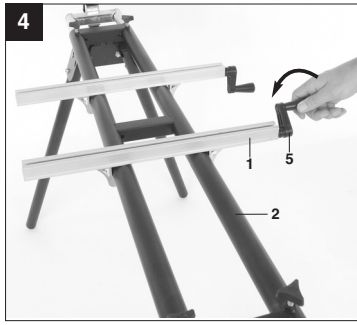
I.-Nr.: 11012

Mitre Saw Stand



2





GB

1. General Safety Remarks

Attention! To avoid injury, follow this general safety advice:

This underframe is designed for fixing mitre saws/sliding mitre saws and supporting longer workpieces. The underframe must be used on an even and tidy ground.

When using this mitre saw underframe, always fix the saw well with all 4 screws.

Do not overload the base frame.

Follow the general safety principles for woodworking tools.

Follow the instruction manual and safety advice of the mitre saw that you use with this base frame

2. Assembling the base frame (Fig. 1-4)

- Place the item on a support with its underside facing upwards. Push the button (10) and turn the feet (6) to the automatic fixing position. The button will lock with a noise.
- Turn the frame over and insert the supporting rollers (9) on the left and right into the mounts (7) on the side extension arms (3). In doing so, make sure the plastic guides (11) are positioned in the mounts (7).
- Place both adjustable fixing bars (1) on the two tubes (2) of the frame and secure with the aid of the crank (5).

3. Attaching the device to the base frame (Fig. 5-7)

Important: Before attaching the machine to the base frame, the base frame must be tightly screwed to the floor!

- To attach the saw, insert the 4 fixing screws (12) into the adjustable fixing bars (1).
- Slacken both fixing bars (1) by cranking towards the left, adjust the saw to the distance of the mounting holes and then re-secure the fixing bars by cranking towards the right.
- Align the fixing screws (12) in such a way that they correspond to the mounting holes of the saw (see Figure 6).
- Place the saw on the base frame in such a way that the screws fit through the mounting holes.
- Secure the saw to the base frame with the aid of the hexagonal nuts and washers provided (Fig. 7).

4. Adjusting the supports (Fig. 8-9)

- The supporting rollers for the workpiece must be adjusted to the support height of the saw. To do this, slacken the knurled screw (8), adjust the supporting roller (9) to the desired height and re-secure with the knurled screw (8).
- The extension arms (3) for the supporting rollers (9) can also be adjusted in length in order for them to match the workpiece optimally. To do this, slacken the thumb screws (4), pull out the extension arm (3) to the desired length (approximately 45 cm each) and re-secure with the thumb screws (4).

5. Maintenance

- In order to ensure good mobility of the components, dirt must be removed regularly and all moving parts (rollers, extension arms) must be lubricated at regular intervals. Cleaning is best carried out with compressed air or a rag.
- Never use caustic agents to clean plastic parts.

6. Ordering replacement parts

Please quote the following data when ordering replacement parts:

- Type of machine
- Article number of the machine
- Identification number of the machine
- Replacement part number of the part required

The guarantee provided in this Guarantee Certificate is given by Einhell Australia Pty Limited
ACN 134 632 858 of 6/166 Wellington Street, Collingwood, Victoria (Telephone number 1300 922 271)
(Einhell Express Guarantee).

GUARANTEE CERTIFICATE

Dear Customer,

All of our products undergo strict quality checks. In the unlikely event that your device develops a fault, please contact our service department at the address shown on this guarantee certificate. Of course, if you would prefer to call us then we are also happy to offer our assistance under the service number printed below. Please note the following terms under which claims under the Einhell Express Guarantee can be made:

1. The benefits conferred by the Einhell Express Guarantee are in addition to all rights and remedies which you may be entitled to under the Australian Consumer Law, and any other statutory rights you may have under other applicable laws. This Einhell Express Guarantee does not exclude, restrict or modify any such rights or remedies.
We do not charge you for the Einhell Express Guarantee.
2. Our goods come with guarantees that cannot be excluded under the Australian Consumer Law. You are entitled to a replacement or refund for a major failure and for compensation for any other reasonably foreseeable loss or damage. You are also entitled to have the goods repaired or replaced if the goods fail to be of acceptable quality and the failure does not amount to a major failure.
3. The Einhell Express Guarantee only covers problems caused by material or manufacturing defects, and our liability under the Einhell Express Guarantee is limited, at our discretion, to the rectification of these defects or replacement of the product. Please note that the product has not been designed for use in commercial, trade or industrial applications. Consequently, the Einhell Express Guarantee will not apply if the product is used in commercial, trade or industrial applications or for other equivalent activities.
4. The following are also excluded from the Einhell Express Guarantee: compensation for transport damage, damage caused by failure to comply with the installation/assembly instructions or damage caused by unprofessional installation, failure to comply with the operating instructions (e.g. connection to the wrong mains voltage or current type), misuse or inappropriate use (such as overloading of the product or use of non-approved tools or accessories), failure to comply with the maintenance and safety regulations, ingress of foreign bodies into the product (e.g. sand, stones or dust), effects of force or external influences (e.g. damage caused by the product being dropped) and normal wear resulting from proper operation of the product. The Einhell Express Guarantee will also not apply if any attempt is made to tamper with the product.
5. The Einhell Express Guarantee is valid for a period of 2 years starting from the purchase date of the product. Claims made under the Einhell Express Guarantee should be submitted before the end of this guarantee period and within two weeks of the defect being noticed. No claims under the Einhell Express Guarantee will be accepted if submitted after the end of this guarantee period. The original guarantee period remains applicable to the device even if repairs are carried out or parts are replaced. In such cases, the work performed or parts fitted will not result in an extension of the guarantee period for the Einhell Express Guarantee, and the Einhell Express Guarantee will not apply for the work performed or parts fitted. This also applies when an on-site service is used.
6. To make a claim under the Einhell Express Guarantee, please send the relevant product postage-free to the address shown below and enclose either the original or a copy of your sales receipt or another dated proof of purchase. It would help us if you could describe the nature of the problem in as much detail as possible. If the defect is covered by the Einhell Express Guarantee, your product will be repaired immediately and returned to you, or we will send you a new device (at our election).

Any costs incurred by you in making a claim under this Einhell Express Guarantee, unless specified otherwise in this guarantee certificate, must be borne by you.

Of course, we are also happy to offer a chargeable repair service for any defects which are not covered by the scope of the Einhell Express Guarantee or for products which are no longer covered by the Einhell Express Guarantee. To take advantage of this service, please send the product to our service address.

EINHELL AUSTRALIA PTY LTD
6/166 Wellington Street
Collingwood VIC 3066
Australia
Phone: 1300 922 271