

 **Operating Instructions**  
**Refuse shredder**



7



**Art.-Nr.: 921258**

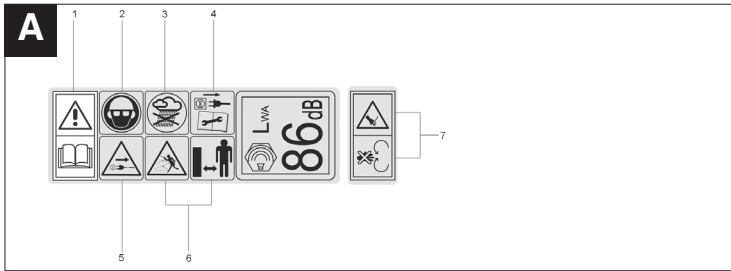
**EH-Art.-No.: 34.305.23**

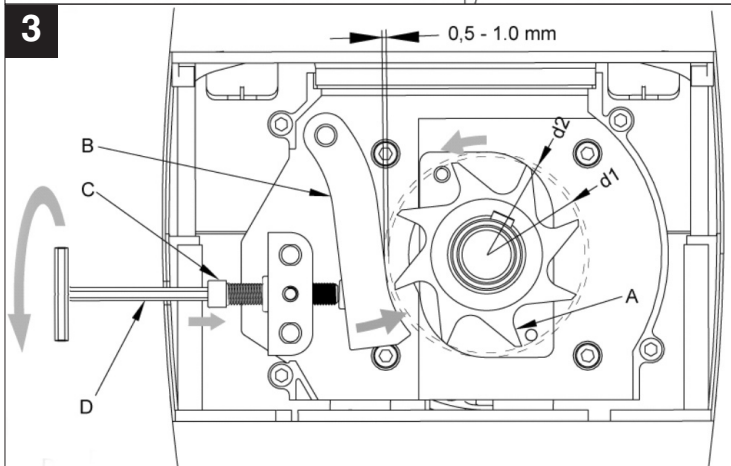
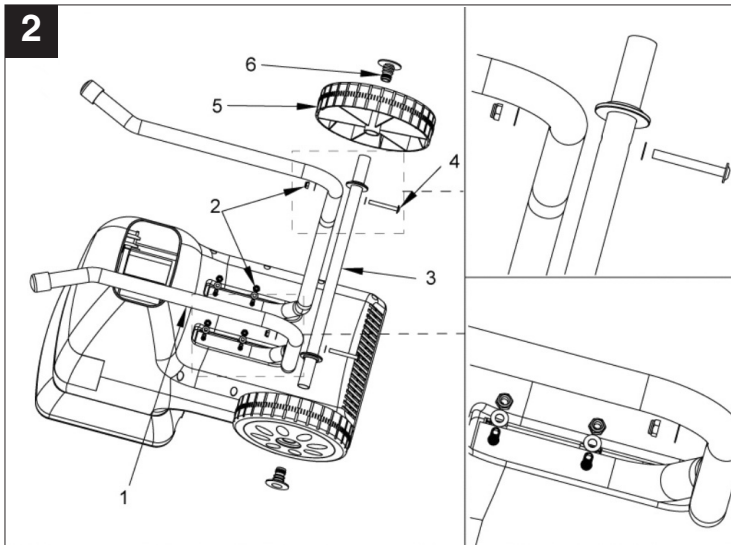
**I.-No.:01025**

**SQS 2500**



Ⓢ For your own safety, please read these instructions before trying to use your new equipment. Mistakes in following these instructions may lead to serious injury. Before every use, take the time to familiarise yourself with your hedge trimmer.





## 1. Important information

Please read the directions for use carefully and observe the information provided. It is important to consult these instructions in order to acquaint yourself with the machine, its proper use and safety precautions.

### Keep these instructions in a safe place.

Improper operation of the electric garden refuse shredder can lead to serious injuries.

This electric garden refuse shredder is designed only for shredding organic garden waste.

### Important!

**For safety reasons, the electric garden refuse shredder may not be operated by individuals under 16 years of age.**

### Safety information

**Caution!** The ON/OFF switch must be set to OFF and the power plug removed from the socket-outlet before cleaning or doing any other work on the shredder and whenever the cable becomes tangled. The shredder will continue to run briefly after it is switched off.

- The shredder is not to be used by individuals under 16 years of age or any other persons who are not acquainted with these directions for use.
- The operator is responsible for the safety of third parties within the working radius of the shredder.
- The shredder must be placed on a flat and firm surface where it can stand securely.
- Always wear gloves and safety goggles when working with the shredder.
- Each time before you leave the shredder, switch it off and or remove the plug.
- Maintenance and cleaning work on the shredder as well as the removal or adjustment of any safety devices may only be performed when the motor is at a standstill and the power plug has been pulled out.
- The safety devices supplied with the shredder (e.g. the ejector) must be used.
- Before starting or switching on the motor, the funnel inlet must be fully mounted and secure.
- Ear protection is recommended.
- Do not reach with your hands into the funnel inlet or discharge opening.

## Additional Safety information

- The shredder must be assembled correctly before it is put into operation.
- Examine the shredder each time before you use it. Do not use the shredder if any safety devices are damaged or worn. Never put safety devices out of operation.
- Use the shredder only for the purpose specified in these instructions.
- Work only in good visibility.
- Always make sure of your footing while working.
- Never leave the shredder unattended at your work place. Store the shredder in a safe place during interruptions.
- If you interrupt your work to move to a different position it is imperative to switch off the shredder whilst you are moving there.
- Never use the shredder in the rain or in moist or wet conditions.
- Protect the shredder from the damp and rain.
- Always wear suitable clothing to protect your head, hands and feet from injury. Wear a helmet, goggles or visor, high boots or strong shoes, long trousers made of tough material, and work gloves.
- Keep the shredder away from other persons, particularly children and pets.

**⚠ CAUTION! The guard is vital for your safety and for the safety of others, and it is also essential for the shredder to work correctly. Failure to observe this instruction will not only create a potential hazard, it will also result in the loss of your rights under the warranty.**

- After use, unplug the machine and check it for damage.
- When you are not using the shredder, keep it in a dry place out of the reach of children.
- Check the screws regularly to see that they are properly tightened.
- The mains voltage must be the same as the voltage specified on the rating plate.
- Power cables used with the shredder must not be of a lighter duty class than HO7RN-F rubber-insulated flexible cables according to DIN 57282 / VDE 0282 with a minimum diameter of 1.5 mm<sup>2</sup>. Plug connectors must be equipped with earthing contacts and the coupling must be rain-water-protected.
- Use only original replacement parts for repair and maintenance purposes.

**GB**

- Have repairs carried out only by a qualified electrician.
- Examine the shredder for signs of wear or damage each time before you use it and after any collisions. Have essential repairs carried out without delay.
- Never use replacement parts or accessories which are not foreseen or recommended by the manufacturer.
- Pull out the power plug before carrying out any inspection, cleaning or other work on the shredder and whenever it is not being used.
- Before you begin your work, examine the material you want to shred. Remove any foreign bodies. Continue to watch out for foreign bodies while you are working. If you come across any foreign bodies while shredding, shut down the machine and remove the items in question.
- Keep the machine away from other persons, particularly children and pets.
- Use the machine only in the way described in these operating instructions.
- The electric circuit must be protected at least by a 10A fuse.
- The efficiency of the machine will be greatly reduced if a connecting cable with too small a cross section is used. A conductor cross section of at least  $3 \times 1.5 \text{ mm}^2$  is required for cables up to 25 m long, and one of at least  $3 \times 2.5 \text{ mm}^2$  for cables longer than 25 m.
- If the machine has to be lifted for transporting, be sure to switch off the motor first and wait for the cutter to come to a standstill. Each time before you leave the machine, switch off the motor and pull out the power plug. Before you connect the machine to the power supply, make sure that the funnel inlet is properly connected to the motor housing.
- If the garden refuse shredder vibrates excessively, turn off the motor, pull out the power plug, and find out immediately what is causing the vibrations. Intensive vibration is usually a sign that something is wrong.
- If the connection lead for this machine is damaged, it must be replaced by the manufacturer or its after-sales service or similarly trained personnel to avoid danger.

**Caution! The cutters continue to run for a few seconds after the motor is switched off.**

#### Plug replacement

Your shredder was fit with a fitted plug, however, if

you need to replace the fitted plug then follow the instructions below.

#### IMPORTANT

The wires in the mains lead are coloured in accordance with the following code.

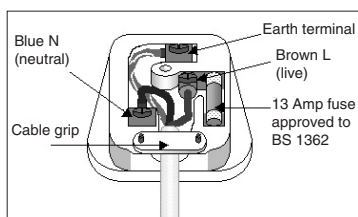
**Blue - Neutral      Brown Live**

As the colours of the wires in the mains lead of this appliance may not correspond with the coloured markings identifying the terminals in your plug, proceed as follows.

The wire which is coloured **blue** must be connected to the terminal which is marked with **N**. The wire which is coloured **brown** must be connected to the terminal which is marked with the letter **L**.

**Warning:** Never connect live or neutral wires to the earth terminal of the plug. Only fit an approved 13 Amp BS1363/A plug and a 13 Amp fuse.

**Note:** If a moulded plug is fitted and has to be removed take great care in disposing of the plug and severed cable. It must be destroyed to prevent engaging into a socket. If the supply cord is damaged it must be replaced by a service agent or a similarly qualified person in order to avoid hazard.



**Caution! The cutters continue to run for a few seconds after the motor is switched off.**

#### 2. Description of the warning sign (see Fig. A) on the machine

1. **Important! Read the operating instructions and follow the warnings and safety instructions**
2. **Important! Always wear safety goggles, ear protection, protective gloves and heavy-duty work clothes. We recommend that you wear a helmet with a face guard.**

3. **Important! Protect the machine from the damp and never expose it to rain.**
4. **Always set the ON/OFF switch to OFF and pull the power plug out of the socket-outlet before doing any work on the shredder, e.g. cleaning the shredder and making adjustments, or if the power cable becomes damaged.**
5. **Important! If the mains lead is damaged or cut, pull out the power plug immediately.**
6. **Caution! Pieces of shredded material may be thrown out of the shredder during operation. Keep a safe distance between yourself and the machine.**
7. **Caution! The cutters continue to run after the motor is switched off. Wait for the cutters to come to a standstill. Risk of injury!**

### 3. Technical data

Voltage:	230 V ~ 50 Hz
Power rating:	2500 W (S6-40%) 2000 W (S1)
Cutting unit idling speed	40 min <sup>-1</sup>
Branch diameter:	max. 40 mm
LPA sound pressure level:	81 dB (A)
LWA sound power level:	91 dB (A)
Weight:	26 kg

S6 (40%) stands for a duty cycle based on 4 minutes on-load and 6 minutes off-load operation. Maximum power consumption depends on the consistency of the material being shredded.

### 4. Layout of the (Figure 1)

- 1 Funnel inlet
- 2 Motor protection switch
- 3 ON/OFF switch
- 4 Switch for selecting the direction of rotation
- 5 Integral mains plug
- 6 Knob for setting the counter blade
- 7 Chassis
- 8 Discharge opening

### 5. Proper use

This electric garden refuse shredder is designed only for shredding organic garden waste. Place biologically degradable material, e.g. leaves, branches, dead flowers etc., into the loading funnel inlet.

#### Collecting the shredded material

A container can be placed underneath the ejector opening to catch the shredded material.

### 6. Before starting up

#### 6.1 Assembly (Fig. 2)

- Take all the parts out of the packaging.
- Fit the chassis to the housing using the two lock nuts (item 2). Use the assembly tool provided for this purpose.
- Fit the axle (item 3) to the chassis using the two M6 x 50 screws (item 4) and nuts (item 2). Use the assembly tool provided for this purpose.
- Push the wheels (item 5) on to the axle.
- Secure the wheel cover (item 6) on the axle using a hammer.

### 7. Starting up

#### 7.1 ON/OFF switch (Fig. 1 / item 3)

- Press the green knob to switch on the shredder.
- Press the red knob to switch it off.

**Important:** The machine has a zero voltage switch. This prevents the machine restarting unintentionally after a power failure.

#### 7.2 Switch for selecting the direction of rotation (Fig. 1 / Item 4)

**Important! The switch for selecting the direction of rotation can only be moved when the shredder is switched off.**

#### Position "1"

The material is automatically drawn in by the blade and shredded.

#### Position "0"

The blade rotates in the opposite direction to release jammed material. After moving the selector switch to the "0" position, press and hold the green knob of the ON/OFF switch. The blade will start to rotate in the

GB

opposite direction. As soon as you release the ON/OFF switch, the shredder will stop automatically.

**Important! Always wait until the shredder has reached a standstill before you switch it on again.**

Large items or pieces of wood will be discharged both in the cutting and in the release direction after the blade has been started and reversed several times.

### 7.3 Motor protection (Fig. 1 / Item 2)

An overload (for example if the blade is jammed) will cause the machine to cut out after a few seconds. To protect the motor from damage the motor protection switch stops the power supply automatically. Wait for at least one minute before you press the reset knob so that you can restart the machine.

Then press the ON/OFF switch.

If the blade becomes jammed, turn the switch for selecting the direction of rotation to the left to position "1" before you switch on the shredder again.

### 7.4 Practical tips

- Read the special and general safety instructions (section 1).
- Wear work gloves, goggles and ear protection.
- Place the material you wish to shred into the opening on the right-hand side (the blade rotates anti-clockwise).
- The material is drawn into the shredder automatically. CAUTION! Long pieces of material projecting out of the funnel inlet may spring back when it is drawn in – keep a safe distance between yourself and the machine.
- Judge the quantity of material which you put into the funnel inlet so that the funnel does not clog.
- If you want to shred withered, damp material that has been lying in the garden for several days, alternate between putting in this material and branches. This will help to prevent the loading funnel becoming clogged with material.
- Do not shred soft waste (e.g. kitchen waste) – put it straight in the compost box.
- Entangled branches and leaves should be thoroughly shredded before loading any more material.
- Do not allow the discharge opening to become clogged with shredded material.
- Do not cover the ventilation slits.
- Do not place heavy material or thick branches into the machine continuously. This may cause the blade to jam.

- Use a plunger or hook to remove jammed objects from the funnel or discharge openings.

**Important:** The material will be crushed, mashed and shredded by the cutting unit, thus accelerating the decomposition process for composting.

### 7.5 Adjusting the cutter blade (Fig. 3)

The cutter blade and cutting unit are perfectly adjusted at the factory. Only if it suffers wear does the cutter blade require adjustment (switch the machine on for this purpose). To ensure the best possible results from your shredder, the gap between the cutter blade (item B) and the shredding blade (item A) should be approx. 0.50 mm.

There is an adjustment device on the right-hand side of the plastic housing for this purpose. Turn the knob clockwise so that the screw (item C) moves towards the shredding blade. After a half-turn the counter blade will have moved 0.50 mm closer to the shredding blade. After completing this adjustment check whether the blade produces the desired results.

**IMPORTANT:** If the shredding blade is touching the cutter blade, it may cause damage. So if metal fragments fall out of the discharge opening then you must check the cutter blade adjustment.

## 8. Troubleshooting

### Motor does not run

- The motor protection switch has tripped. Move the switch for selecting the direction of rotation to position "0" and press the reset knob. Press and hold the ON/OFF switch to switch on the shredder after a brief delay. Once the blockage has been cleared, return the switch for selecting the direction of rotation to position "1".
- Power failure  
Check the mains lead, plug and fuse.

### Material is not drawn in by the shredder

- The shredding blade rotates backwards  
Check the direction of rotation
- Material blockage in the funnel  
Move the switch for selecting the direction of rotation to position "0" and switch on the shredder. Pull the material out of the funnel. Feed in thick branches again so that the blade does not immediately engage again in the notches it previously cut.



- The shredding blade is jammed  
Move the switch for selecting the direction of rotation to position "0" and switch on the shredder. The blade will now rotate in the opposite direction and release the jammed material.

**Important! Do not change the direction of rotation until the shredder has reached a complete standstill.**

## 9. Care and maintenance

Caution! Interrupt the power supply by pulling the plug out of the socket-outlet before you carry out any checks or maintenance work on the machine.

- Clean the machine regularly. This will help to keep the machine in good working order and is the basis for a long working life.
- Keep the vent slots clean while you work.
- Clean the plastic body and other plastic parts with a mild household cleaning agent and a damp cloth. Do not use any aggressive agents or solvents for cleaning purposes.
- Never clean the shredder by spraying with water.
- Prevent water getting inside the machine at all cost.
- Check the chassis securing screws from time to time to ensure that they are tight.
- If you do not intend to use the shredder for a lengthy period, protect it from corrosion using environmentally friendly oil.

## 10. Ordering replacement parts

Please quote the following data when ordering replacement parts:

- Type of machine
- Article number of the machine
- Identification number of the machine
- Replacement part number of the part required

For our latest prices and information please go to [www.isc-gmbh.info](http://www.isc-gmbh.info)

## 11. Waste disposal

Accessories and packaging should be disposed of in an environment-friendly fashion, i.e. by taking them to a recycling depot. Plastic parts are coded for purposes of separation when recycling.

ISC GmbH  
Eschenstraße 6  
D-94405 Landau/Isar

## Konformitätserklärung



- D** erklärt folgende Konformität gemäß EU-Richtlinie und Normen für Artikel  
**GB** declares conformity with the EU Directive and standards marked below for the article  
**F** déclare la conformité suivante selon la directive CE et les normes concernant l'article  
**NL** verklaart de volgende conformiteit in overeenstemming met de EU-richtlijn en normen voor het artikel  
**E** declara la siguiente conformidad a tenor de la directiva y normas de la UE para el artículo  
**P** declara a seguinte conformidade de acordo com a directiva CE e normas para o artigo  
**S** förklarar följande överensstämmelse enl. EU-direktiv och standarder för artikeln  
**FIN** ilmoittaa seuraavaa Euroopan unionin direktiivien ja normien mukaista yhdenmukaista tuoteelle  
**DK** erklærer herved følgende samsvar med EU-direktiv og standarder for artikkel  
**RU** заявляет о соответствии товара следующим директивам и нормам ЕС  
**HR** izjavljuje sljedeću uskladenost s odredbama i normama EU za artikl.  
**RO** declară următoarea conformitate cu linia directoare CE și normele valabile pentru articolul.
- TR** ürün ile ilgili olarak AB Yönetmelikleri ve Normları gereğince aşağıdaki uygunluk açikla masini sunar.  
**GR** δηλώνει την ακόλουθη συμφωνία σύμφωνα με την Οδηγία ΕΕ και τα πρότυπα για το προϊόν  
**I** dichiara la seguente conformità secondo la direttiva UE e le norme per l'articolo  
**UK** attesterer følgende overensstemmelse i henhold til EU-direktiv og standarder for produkt  
**CZ** prohlašuje následující shodu podle směrnice EU a norem pro výrobek.  
**H** a következő konformitást jelenti ki a termékek-re vonatkozó EU-irányvonalak és normák szerint  
**SU** rojasnjuje sledečo skladnost po smernici EU in normah za artikel.  
**PL** deklaruje zgodność wymienionego poniżej artykułu z następującymi normami na podstawie dyrektywy WE.  
**SK** vydáva nasledujúce prehlásenie o zhode podľa smernice EÚ a noriem pre výrobok.  
**BD** декларира следното съответствие съгласно директивите и нормите на ЕС за продукта.

### Shredder SQS 2500

- |  |   |
|--|---|
| <input checked="" type="checkbox"/> 98/37/EG             | <input type="checkbox"/> 87/404/EWG   |
| <input checked="" type="checkbox"/> 73/23/EWG_93/68/EEC  | <input type="checkbox"/> R&TTD 1999/5/EG  |
| <input type="checkbox"/> 97/23/EG                        | <input checked="" type="checkbox"/> 2000/14/EG: L <sub>WM</sub> = 88 dB; L <sub>WA</sub> = 91 dB<br>P = 2,5 kW S <sub>6</sub> 40% |
| <input checked="" type="checkbox"/> 89/336/EWG_93/68/EEC | <input type="checkbox"/> 95/54/EG:  |
| <input type="checkbox"/> 90/396/EWG                      | <input type="checkbox"/> 97/68/EG:  |
| <input type="checkbox"/> 89/686/EWG                      |   |

EN 13683: 2003; EN 60335-1+A11+A12+A16; EN 55014-1;  
EN 55014-2; EN 61000-3-2; EN 61000-3-11; KBV V

Landau/Isar, den 18.05.2005

Wechsengartner  
Leiter QS Konzern

Ensing  
Leiter Technik EC

Art.-Nr.: 34.305.23 I.-Nr.: 01025 Archivierung: 3430520-04-4155050-E  
Subject to change without notice

## GARANTIEURKUNDE

Auf das in der Anleitung bezeichnete Gerät geben wir 2 Jahre Garantie, für den Fall, dass unser Produkt mangelhaft sein sollte. Die 2-Jahres-Frist beginnt mit dem Gefahrenübergang oder der Übernahme des Gerätes durch den Kunden. Voraussetzung für die Geltendmachung der Garantie ist eine ordnungsgemäße Wartung entsprechend der Bedienungsanleitung sowie die bestimmungsgemäße Benutzung unseres Gerätes.

**Selbstverständlich bleiben Ihnen die gesetzlichen Gewährleistungsrechte innerhalb dieser 2 Jahre erhalten.** Die Garantie gilt für den Bereich der Bundesrepublik Deutschland oder der jeweiligen Länder des regionalen Hauptvertriebspartners als Ergänzung der lokal gültigen gesetzlichen Vorschriften. Bitte beachten Sie Ihren Ansprechpartner des regional zuständigen Kundendienstes oder die unten aufgeführte Serviceadresse.

Sovereign Customer Helpline 0044 (0) 151 649 1500

### Ⓢ WARRANTY CERTIFICATE

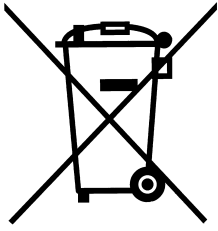
The product described in these instructions comes with a 2 year warranty covering defects. This 2-year warranty period begins with the passing of risk or when the customer receives the product. Please retain receipt as proof of purchase. For warranty claims to be accepted, the product has to receive the correct maintenance and be put to the proper use as described in the operating instructions. **Your statutory rights of warranty are naturally unaffected during these 2 years.**

This warranty applies in Germany, or in the respective country of the manufacturer's main regional sales partner, as a supplement to local regulations. Please note the details for contacting the customer service center responsible for your region or the service address listed below.

### Ⓢ Recycling alternative to the demand to return electrical devices:

As an alternative to returning the electrical device, the owner is obliged to cooperate in ensuring that the device is properly recycled if ownership is relinquished. This can also be done by handing over the used device to a returns center, which will dispose of it in accordance with national commercial and industrial waste management legislation. This does not apply to the accessories and auxiliary equipment without any electrical components which are included with the used device.

Ⓢ Technical specifications subject to change



Ⓢ For EU countries only

Never place any electric tools in your household refuse.

To comply with European Directive 2002/96/EC concerning old electric and electronic equipment and its implementation in national laws, old electric tools have to be separated from other waste and disposed of in an environment-friendly fashion, e.g. by taking to a recycling depot.

Recycling alternative to the demand to return electrical devices:

As an alternative to returning the electrical device, the owner is obliged to cooperate in ensuring that the device is properly recycled if ownership is relinquished. This can also be done by handing over the used device to a returns center, which will dispose of it in accordance with national commercial and industrial waste management legislation. This does not apply to the accessories and auxiliary equipment without any electrical components which are included with the used device.

Ⓢ

The reprinting or reproduction by any other means, in whole or in part, of documentation and papers accompanying products is permitted only with the express consent of ISC GmbH.

EH 05/2005