

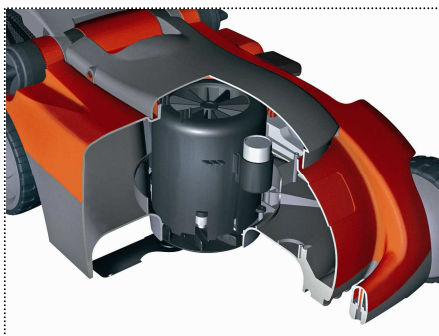


RED

RG-EM 1742

Electric Lawn Mower

The electric lawn mower for clean-cut lawns in any garden. The blade is driven by a powerful induction motor for high torques, the perfect solution for cutting even higher grass. Optimized design for best handling in difficult-to-reach areas such as shrubbery, bushes, trees etc. Completely closed base frame for a perfect air flow, to guarantee perfect cutting results every time!



Features

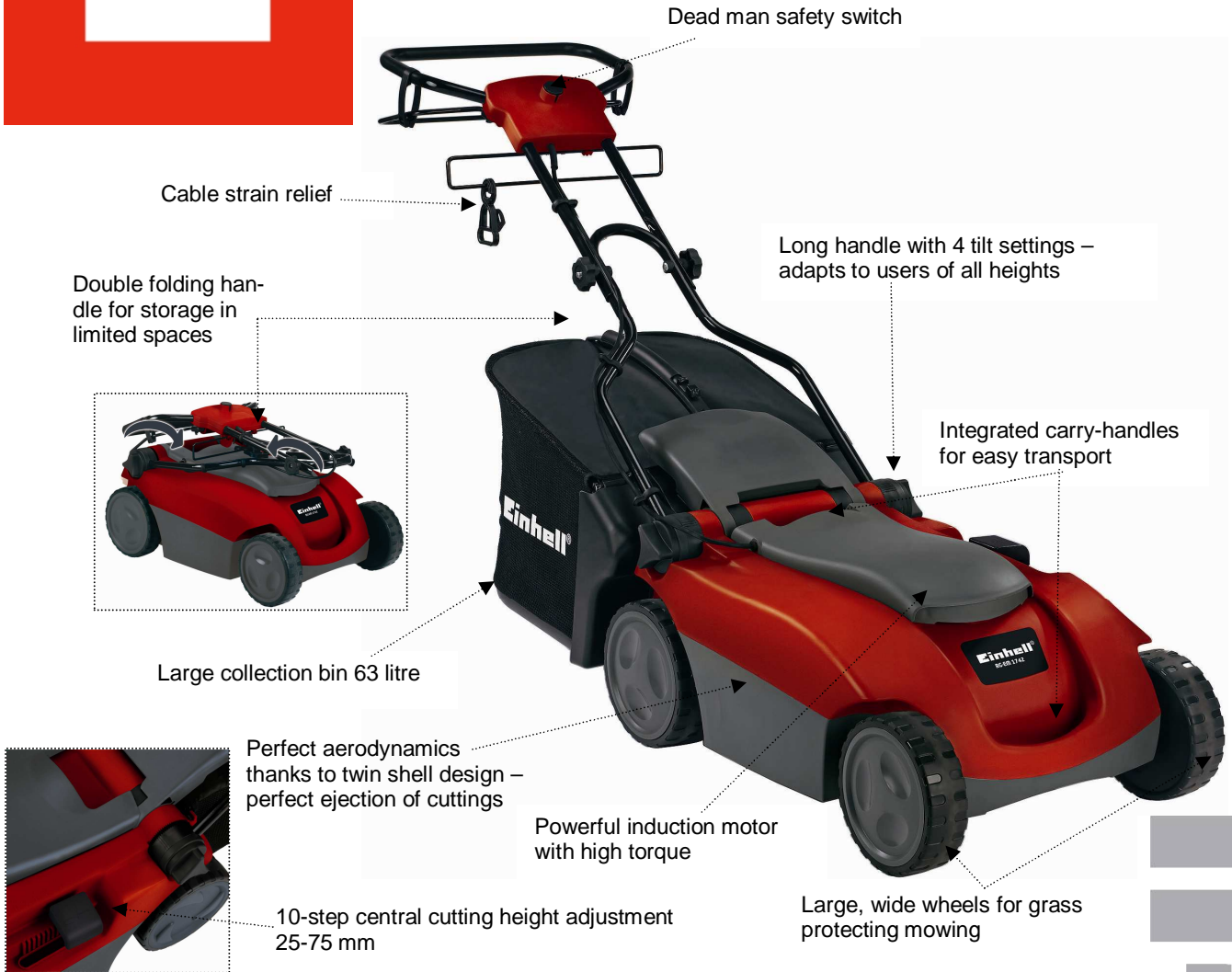
- Powerful induction motor with high torque
- 10-steps central cutting height adjustment 25 - 75 mm
- Double folding handle for storage in very limited spaces
- Ergonomically designed guide handle for fatigue-free operation
- Large collection bin 63 ltr.
- Perfect aerodynamics thanks to twin shell design – perfect ejection of cuttings
- Long handle with 4 tilt settings – adapts to users of all heights
- Recommended for lawn area up to 800 m²



RED

RG-EM 1742

Electric Lawn Mower



Dead man safety switch

Cable strain relief

Double folding handle for storage in limited spaces



Large collection bin 63 litre

Long handle with 4 tilt settings – adapts to users of all heights

Integrated carry-handles for easy transport

Perfect aerodynamics thanks to twin shell design – perfect ejection of cuttings

Powerful induction motor with high torque

10-step central cutting height adjustment 25-75 mm

Large, wide wheels for grass protecting mowing



As special accessory available:
Spare knife

Art.No.:
34.054.91

Logistic information

Technical Data

Type:	RG-EM 1742
Art.-No.:	34.004.15
Ident-No.:	01018
Bar code:	4006825 5491226
Packing:	765 x 490 x 435 mm
Sales unit:	1 pc
20'':	165 pcs
40'':	360 pcs
40'' HC:	432 pcs
Net weight:	20 kg
Gross weight:	23.5 kg

■ Mains:	230 V ~ 50 Hz
■ Power:	1,730 W
■ Cutting height adjustment:	10- steps 25 – 75 mm
■ Cutting width:	42 cm
■ Capacity collection bin:	63 ltr
■ Wheels front:	Ø 186 mm
■ Wheels rear:	Ø 197 mm