



# GLPW160 ELECTRIC PRESSURE WASHER

2000W ELECTRIC PRESSURE WASHER

**W**  
2000W

Maximum Operating Pressure  
**BAR**  
160

**5M**  
PRESSURE HOSE

**360**  
L/H  
Delivery Rate

Now you have purchased a Gardenline® product you can rest assured in the knowledge that as well as your 3 year parts and labour warranty you have the added peace of mind of dedicated helplines and web support

## AFTER SALES SUPPORT

UK / N.IRELAND HELPLINE NO 0151 649 1500  
REP IRELAND HELPLINE NO 1980 946 6244  
AFTER SALES SUPPORT [www.einhell-uk.co.uk](http://www.einhell-uk.co.uk)

MODEL NUMBER: 7944

THIS BOX INCLUDES:  
1 x PRESSURE WASHER,  
1 x DETERGENT BOTTLE



# THE POWER GUIDE

- 03 Introduction
- 04 Assembly and Parts List
- 10 Getting Started
- 11 Instructions
- 14 Other Useful Information
- 15 FAQ
- 16 Warranty Card

## Packaging

The unit is supplied in packaging to prevent its contents being damaged in transit. This packaging is raw material and can therefore be reused or can be returned to the raw material system.

## Congratulations on choosing to buy a Gardenline product.

By doing so you now have the assurance and peace of mind that comes with purchasing a product made by one of Europe's leading manufacturers.

All products brought to you by Gardenline are manufactured to the highest standards of performance and safety, and, as part of our philosophy for customer service and satisfaction, are backed by our comprehensive 3 Year Warranty.

We hope you will enjoy using your purchase for many years to come.

# Assembly & Parts List

# 2

**Important!** When using equipment, a few safety precautions must be observed to avoid injuries and damage. Please read the complete operating manual with due care. Keep this manual in a safe place so that the information is available at all times. If you give the equipment to any other person, give them these operating instructions as well.

We accept no liability for damage or accidents which arise due to non-observance of these instructions and the safety information.

## Layout and items supplied (see Fig.1-2)

- 1 Handle
  - 2 Accessory mount
  - 3 Swing-out push bar
  - 4 Carry handle
  - 5 High-pressure cleaner
  - 6 Power cable
  - 7 Foam nozzle
  - 8 Mains plug
  - 9 Connector for high-pressure hose to device
  - 10 Holder for gun/accessories
  - 11 Transportation wheels
  - 12 ON/OFF switch
  - 13 Water inlet connector
  - 14 Gun
  - 15 Cleaning agent tank
  - 16 Lance point/wide cone
  - 17 Lance with rotating nozzle
  - 18 High-pressure hose
  - 19 Water intake filter (Fig. 11)
- A Wire

## Assembling the equipment

Assemble the high-pressure cleaner as shown in Fig. 2-7.

### Water inlet connector (Fig. 1/13)

The connection for the water inlet (13) is equipped with a connector for standard hose coupling systems. Remove the transport cap (fig.5) and attach the hose coupling on the supply hose (min. diameter 1/2") to the connector for the water inlet (13).

### Connecting the high-pressure hose (Fig. 1-2; 5-6/18)

Remove the transport cap as shown in Fig. 5 from the connection for the high-pressure hose (9). Connect the high-pressure hose (18) to the connection on the high-pressure cleaner (9) (Fig. 6) and on the spray gun (14) (Fig. 2).

### Fitting the gun attachments

The normal lance, the lance with rotating nozzle or the foam nozzle can be attached prior to using the high-pressure cleaner (Fig. 2).

### Lance point/wide cone (16)

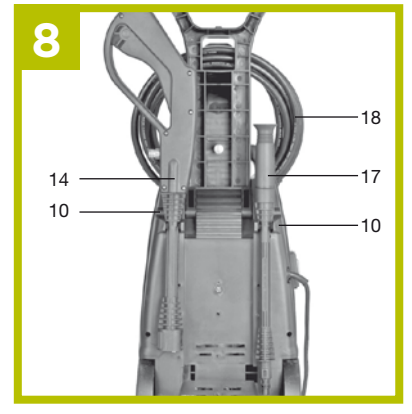
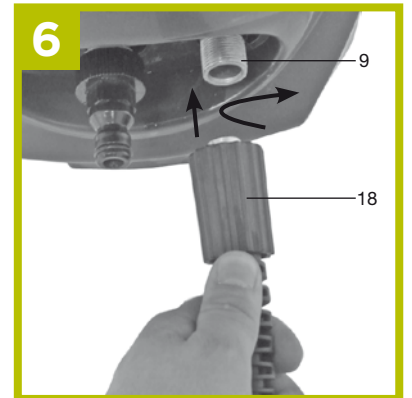
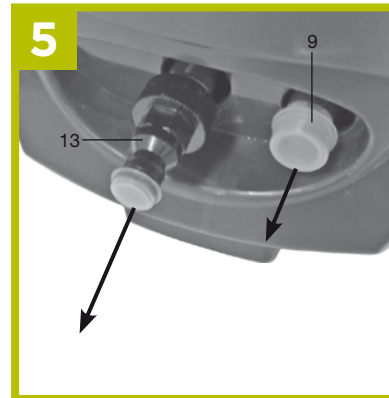
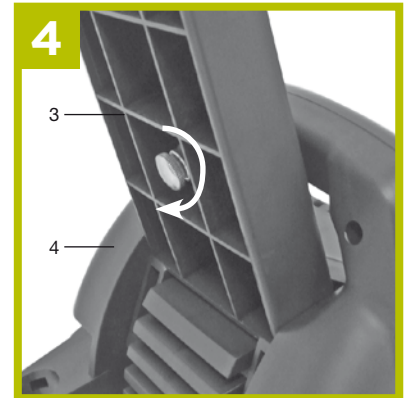
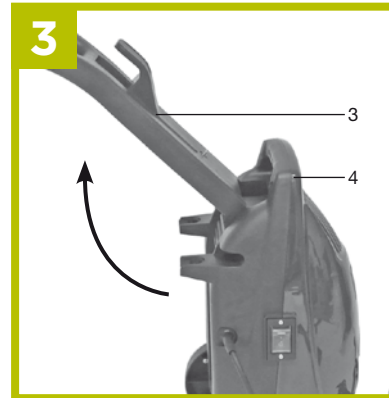
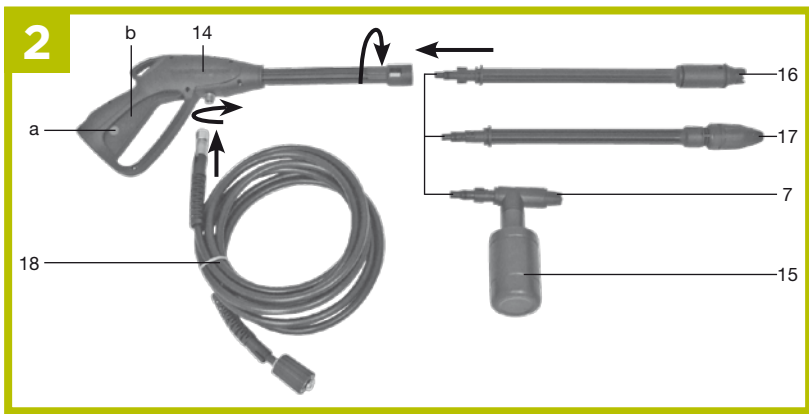
The shape of the water jet can be changed from concentrated to flat jet by turning the nozzle (Fig. 9).

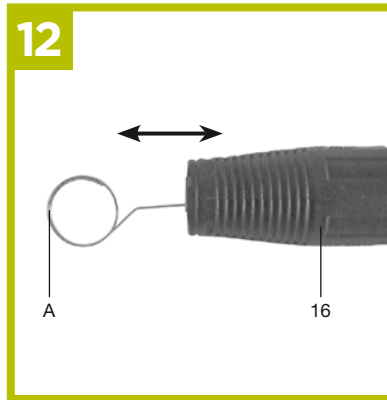
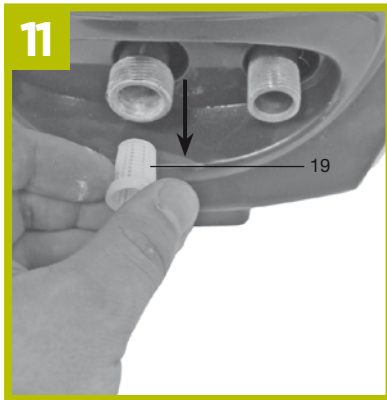
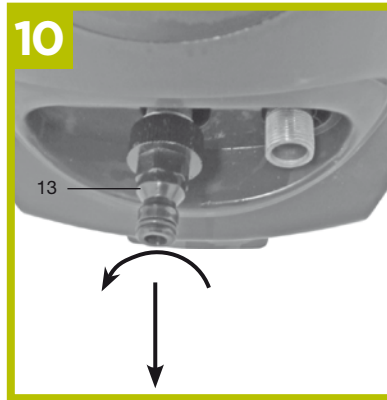
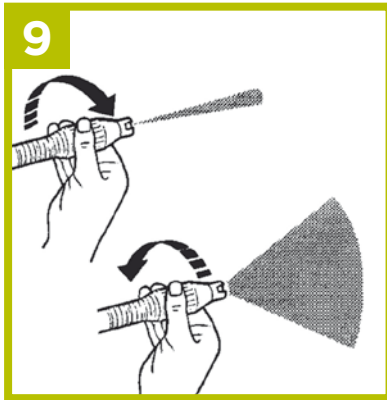
### Lance with rotating nozzle (17)

To remove particularly stubborn dirt, use the lance with rotating nozzle (17).

### Electrical connections (Fig. 1)

- Before you connect the appliance to the mains supply make sure that the data on the rating plate is identical to the mains data.
- If you use any extension cables, make sure that they are suitable for outdoor use and have large enough wires:
  - 1 - 10m: 1.5 mm<sup>2</sup>
  - 10 - 30m: 2.5 mm<sup>2</sup>
- Plug the mains plug (8) on the power cable (6) into the mains socket outlet.





### Proper use

The high-pressure cleaner is designed to clean vehicles, machines, buildings, facades, etc. in the private sector.

The equipment is to be used only for its prescribed purpose. Any other use is deemed to be a case of misuse. The user/operator and not the manufacturer will be liable for any damage or injuries of any kind caused as a result of this.

Please note that our equipment has not been designed for use in commercial, trade or industrial applications. Our warranty will be voided if the machine is used in commercial, trade or industrial businesses or for equivalent purposes.



**Warning!** High-pressure jets can be dangerous if not used properly. Do not direct the jet at persons, animals, live electrical equipment or the unit itself.

## Before putting the machine into operation

### Correctly using the device

- The high-pressure cleaner must be set on a level, stable surface.
- It is recommended that you maintain the correct operating position every time you use the machine by placing one hand on the pistol and the other on the lance.
- Never direct the water jet toward electrical lines or the machine itself.
- It is normal for the pump to leak a little; this is necessary to avoid damage to the pump when it is at a standstill.
- Never use the equipment in potentially explosive areas under any circumstances!
- The operating temperature must be between +5 and + 60°C.
- Do not cover or modify the lance or the spray nozzles in any way.
- The high-pressure cleaner is designed to be used with cold or lukewarm water (max. 60°C); higher temperatures can damage the pump.
- Do not use water that is dirty, gritty or contains any chemical products, as these could impair operation and shorten the life of the equipment.
- When using the pressure washer, we recommend you wear safety goggles to guard your eyes from flying debris/water spray.

### Operation

The equipment consists of an assembly with a pump, which is encased in a shock absorbing housing. The equipment comes with a lance and a non-slip gun (for an optimal working position), whose shape and configuration comply with the applicable regulations.

### Using for the first time

Once you have completely assembled the high-pressure cleaner and connected all connections, proceed as follows:

Turn on the water inlet supply. Press safety pin “a” (Fig. 2) on the spray gun and pull back trigger lever “b” (Fig. 2) in order to bleed the trapped air out of the device.

Turn on the device by switching the ON/OFF switch (Fig. 1/12) to “I”.

To temporarily turn off, release the trigger lever (b), at which point the device goes to standby. As soon as you press the trigger lever again (b), the high-pressure cleaner restarts.

To completely turn off the high-pressure cleaner, switch the ON/OFF switch (Fig. 1/12) to “0”.

### Using cleaning agent (Fig. 2;7)

Unscrew and remove the foam nozzle (7) from the cleaning agent tank (15) (Fig. 7). Fill a suitable cleaning agent into the cleaning agent tank (15) and replace the foam nozzle (7). Fit the foam nozzle (7) to the pistol (14) as shown in Fig. 2. The cleaning agent will be added automatically.

### Holder for the gun/accessories (Fig. 1;8)

The gun and accessories can be kept in the provided holder (10) (Fig. 8) in order to save space when not in use.

## Cleaning, maintenance and ordering of spare parts

**Important!** Always pull out the mains power plug before starting any cleaning work.

### Cleaning

- Keep all safety devices, air vents and the motor housing free of dirt and dust as far as possible. Wipe the equipment with a clean cloth or blow it with compressed air at low pressure.
- We recommend that you clean the device immediately each time you have finished using it.
- Clean the equipment regularly with a moist cloth and some soft soap. Do not use cleaning agents or solvents; these could attack the plastic parts of the equipment. Ensure that no water can seep into the device.

### Maintenance

#### Checking the water intake filter (Fig. 10-11/19)

Periodically check the intake filter in order to prevent clogging, which could jeopardise operation of the pump.

To do this, unscrew the connection coupling for the water inlet hose from the device and clean the exposed inlet sieve by placing it under running water. Then re-fit the filter and connection coupling.

#### Long periods of non-use (electric pump)

If the machine is going to be stored for longer periods of time (i.e. over 3 months) in a room where frost could develop, it is recommended that the machine be filled with an antifreeze solution (similar to the antifreeze solutions used for vehicles).

When the device is not used for an extended period of time, lime deposits begin to form in the electric pump, which in turn can lead to starting difficulties.

## Cleaning the nozzle (Fig. 12)

Use the supplied wire (A) to clean clogged nozzles.

### Ordering replacement parts

Please quote the following data when ordering replacement parts:

- Type of machine
- Article number of the machine
- Identification number of the machine
- Replacement part number of the part required

For our latest prices and information please go to [www.isc-gmbh.info](http://www.isc-gmbh.info)



### Disposal and recycling

The unit is supplied in packaging to prevent its being damaged in transit. This packaging is raw material and can therefore be reused or can be returned to the raw material system.

The unit and its accessories are made of various types of material, such as metal and plastic. Defective components must be disposed of as special waste. Ask your dealer or your local council.

# Useful Information

# 5

## Technical data

Mains voltage:	230-240 V ~ 50 Hz
Power input:	2000 W
Working pressure:	9 MPa (90 bar)
Operating pressure (EW bar):	max. 16 MPa (160 bar)
Delivery rate:	6 l/min
Max. water inlet pressure:	0.4 MPa (4 bar)
Totally insulated:	II/☐
Sound pressure level $L_{pA}$ :	75 dB
Sound power level $L_{WA}$ :	97 dB
Weight	8.6 kg

# FAQ

# 6

FAULT	POSSIBLE CAUSES	TROUBLESHOOTING
Device does not work	No electrical voltage at the device	Check the fuse, power cable and power plug and have them replaced by qualified personnel if necessary
	Cross section of the extension cable not large enough and/or the extension cable is too long	Use extension cables with larger cross sections and/or use shorter extension cables
	The mains voltage is lower than that specified	Contact the power supply company if necessary
The motor starts but there is no build up of pressure	The pump is frozen	Check and thaw if necessary
	The water intake filter is clogged	Clean the water intake filter (see 7.2.1)
	Air intake in the water inlet	Check the supply hose and hose connection and replace if necessary
Irregular operating pressure	Discharge nozzle is too large	Check and replace if necessary
	Air intake in the water inlet	Check the supply hose and hose connection and replace if necessary



**GB For EU countries only**

Never place any electric tools in your household refuse.

To comply with European Directive 2002/96/EC concerning old electric and electronic equipment and its implementation in national laws, old electric tools have to be separated from other waste and disposed of in an environment-friendly fashion, e.g. by taking to a recycling depot.

Recycling alternative to the demand to return electrical devices:  
As an alternative to returning the electrical device, the owner is obliged to cooperate in ensuring that the device is properly recycled if ownership is relinquished. This can also be done by handing over the used device to a returns centre, which will dispose of it in accordance with national commercial and industrial waste management legislation. This does not apply to the accessories and auxiliary equipment without any electrical components which are included with the used device.

ISC GmbH · Eschenstraße 6 · D-94405 Landau/Isar



**Konformitätserklärung**

- erklärt folgende Konformität gemäß EU-Richtlinie und Normen für Artikel
- explains the following conformity according to EU directives and norms for the following product
- déclare la conformité suivante selon la directive CE et les normes concernant l'article
- dichiara la seguente conformità secondo la direttiva UE e le norme per l'articolo
- verklaart de volgende overeenstemming conform EU richtlijn en normen voor het product
- declara la siguiente conformidad a tenor de la directiva y normas de la UE para el artículo
- declara a seguinte conformidade, de acordo com a directiva CE e normas para o artigo
- attesterer følgende overensstemmelse i medfør af EU-direktiv samt standarder for artikel
- förklarar följande överensstämmelse enl. EU-direktiv och standarder för artikeln
- vakuuttaa, että tuote täyttää EU-direktiivin ja standardien vaatimukset
- tõendab toote vastavust EL direktiivile ja standarditele
- vydává následující prohlášení o shodě podle směrnice EU a norem pro výrobek
- potvrjuje sledečo skladnost s smernico EU in standardi za izdelak
- vydáva nasledujúce prehlásenie o zhode podľa smernice EÚ a noriem pre výrobok
- a cikkekhez az EU-irányvonal és Normák szerint a következő konformitást jelenti ki
- deklaruje zgodność wymienionego poniżej artykułu z następującymi normami na podstawie dyrektywy WE.
- декларира съответното съответствие съгласно Директива на ЕС и норми за артикул
- paskaidro šādu atbilstību ES direktīvai un standartiem
- aribūdina šį atitikimą EU reikalavimams ir prekės normoms
- declară următoarea conformitate conform directivei UE și normelor pentru articolul
- δηλώνει την ακόλουθη συμμόρφωση σύμφωνα με την Οδηγία ΕΚ και τα πρότυπα για το προϊόν
- potvrđuje sljedeću usklađenost prema smjernicama EU i normama za artikl
- potvrđuje sljedeću usklađenost prema smjernicama EU i normama za artikl
- potvrđuje sledeću usklađenost prema smernicama EZ i normama za artikla
- следующим удостоверяется, что следующие продукты соответствуют директивам и нормам ЕС
- проголошує про зазначену нижче відповідність виробу директивам та стандартам ЄС на виріб
- ja izjavuva slednata soobraznost согласно EУ-директивата и нормите за артикли
- Ürünün ile ilgili AB direktifleri ve normları gereğince aşağıda açıklanan uygunluğu belirtir
- erklærer følgende samsvar i henhold til EU-direktivet og standarder for artikkel
- Lýsir uppyflingu EU-reglna og annarra staðla vöru

**Pressure Washer GLPW-160 (Gardenline)**

- |   |   |
|---|---|
| <input type="checkbox"/> 2009/105/EC            | <input checked="" type="checkbox"/> 2006/42/EC  |
| <input type="checkbox"/> 2006/95/EC             | <input type="checkbox"/> Annex IV<br>Notified Body:<br>Notified Body No.:<br>Reg. No.:  |
| <input type="checkbox"/> 2006/28/EC             |   |
| <input type="checkbox"/> 2005/32/EC             | <input checked="" type="checkbox"/> 2000/14/EC_2005/88/EC   |
| <input checked="" type="checkbox"/> 2004/108/EC | <input checked="" type="checkbox"/> Annex V   |
| <input type="checkbox"/> 2004/22/EC             | <input type="checkbox"/> Annex VI<br>Noise: measured L <sub>WA</sub> = 101 dB (A); guaranteed L <sub>WA</sub> = 102 dB (A)<br>P = 2.0 KW; L <sub>Ø</sub> = cm<br>Notified Body: TÜV Rheinland Product Safety GmbH |
| <input type="checkbox"/> 1999/5/EC              | <input type="checkbox"/> 2004/26/EC<br>Emission No.:  |
| <input type="checkbox"/> 97/23/EC               |   |
| <input type="checkbox"/> 90/396/EC              |   |
| <input type="checkbox"/> 89/686/EC_96/58/EC     |   |

Standard references: EN 60335-1; EN 60335-2-79; EN 55014-1; EN 55014-2; EN 50366; EN 61000-3-2; EN 61000-3-3

Landau/Isar, den 02.12.2009

Weichselgartner/General Manager

Wang/Product-Management

First CE: 06  
Art.-No.: 41.404.67 I.-No.: 01019  
Subject to change without notice

Archive-File/Record: 4140463-07-4155050-09  
Documents registrar: Daniel Protschka  
Wiesenweg 22, D-94405 Landau/Isar

