



Einhell[®]

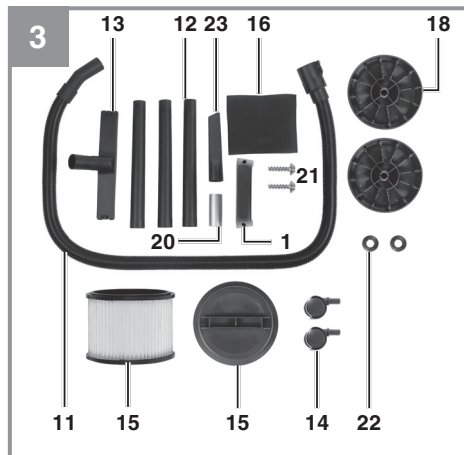
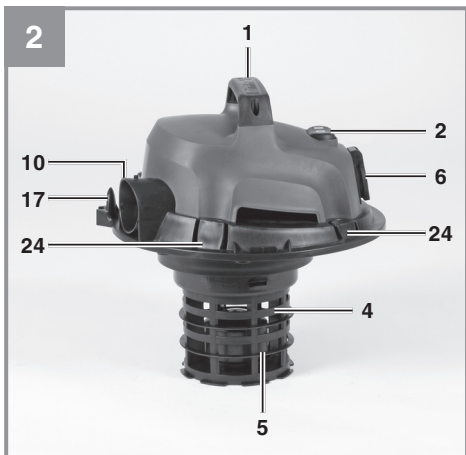
TE-VC 1930 SA

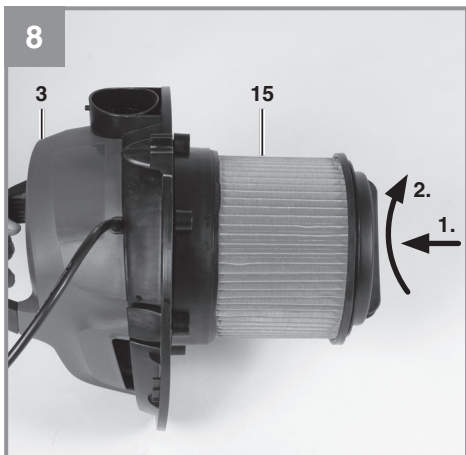
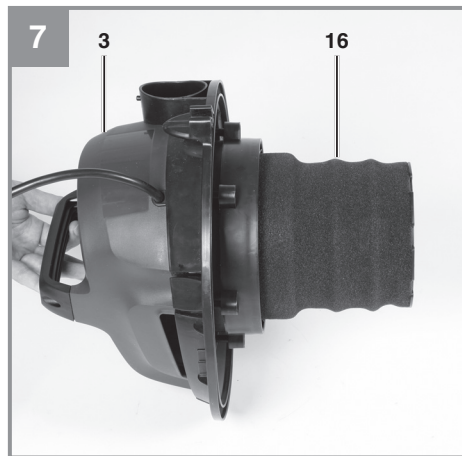
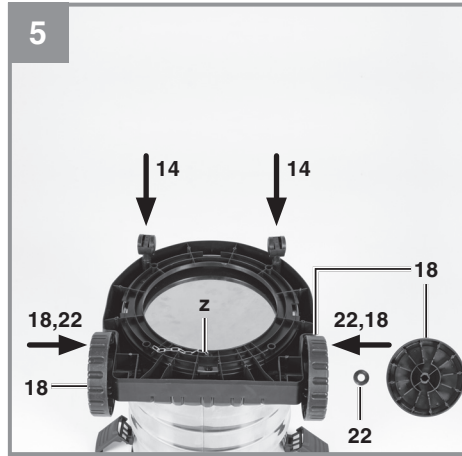
GB Original operating instructions
Wet and dry vacuum cleaner

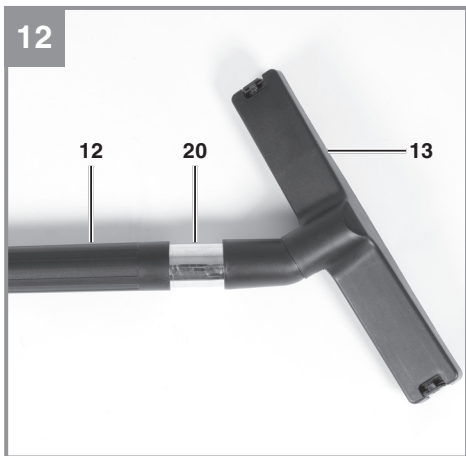
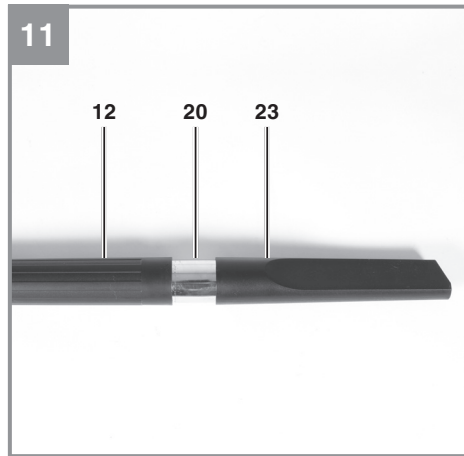
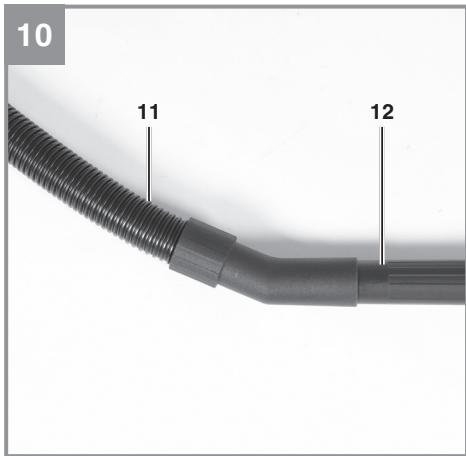


Art.-Nr.: 23.421.95

I.-Nr.: 11013









GB

⚠ Important!

When using the equipment, a few safety precautions must be observed to avoid injuries and damage. Please read the complete operating instructions and safety regulations with due care. Keep this manual in a safe place, so that the information is available at all times. If you give the equipment to any other person, hand over these operating instructions and safety regulations as well. We cannot accept any liability for damage or accidents which arise due to a failure to follow these instructions and the safety instructions.

1. Safety regulations

⚠ Caution!

Read all safety regulations and instructions.

Any errors made in following the safety regulations and instructions may result in an electric shock, fire and/or serious injury.

Keep all safety regulations and instructions in a safe place for future use.

- Important: Read the operating instructions before assembling and using for the first time.
- Check that the mains voltage is the same as the mains voltage specified on the rating plate.
- Pull out the power plug in the following circumstances: Whenever the equipment is not in use, before opening the equipment and before all cleaning and maintenance work.
- Never clean the equipment with solvents.
- Never pull the plug out of the socket by pulling the cable.
- Never leave the equipment unattended when ready for use.
- Keep away from children.
- Take care to ensure that the power cable does not get damaged by being run over, crushed, pulled or similar.
- Do not use the equipment if the power cable is in less than perfect condition.
- If the power cable has to be replaced, the replacement must comply with the design specifications of the manufacturer.
- Never vacuum the following: Burning matches, smoldering ash and cigarette butts, combustible, caustic, inflammable or explosive substances, vapor or liquids.
- This equipment is not suitable for vacuuming dust which can be harmful to health.
- Store the equipment in a dry indoor location.

- Never use the equipment if it is damaged.
- Have the equipment serviced only by an authorized after sales service outlet.
- Use the equipment only to carry out work for which has been designed.
- Take extra care when cleaning steps.
- Use only genuine accessories and spare parts.

This equipment is not designed to be used by people (including children) with limited physical, sensory or mental capacities or those with no experience and/or knowledge unless they are supervised by a person who is responsible for their safety or they have received instructions from such a person in to how to use the equipment safely. Children must always be supervised in order to ensure that they do not play with the equipment.

2. Layout and items supplied

2.1 Layout (Fig. 1-3)

1. Handle
2. ON/OFF/Automatic switch
3. Head
4. Filter cage
5. Safety float valve
6. Automatic socket-outlet for electric tools
7. Locking hook
8. Tank
9. Suction hose connection
10. Blow connector
11. Flexible suction hose
12. 3-piece suction tube
13. Dual purpose nozzle
14. Castors
15. Pleated filter
16. Foamed plastic filter
17. Hook for cable store
18. Wheels
19. Water drain screw
20. Adapter
21. Fastening screws on the handle
22. Washer
23. Crevice nozzle
24. Accessory holder



GB

2.2 Items supplied

Please check that the article is complete as specified in the scope of delivery. If parts are missing, please contact our service center or the sales outlet where you made your purchase at the latest within 5 working days after purchasing the product and upon presentation of a valid bill of purchase. Also, refer to the warranty table in the service information at the end of the operating instructions.

- Open the packaging and take out the equipment with care.
- Remove the packaging material and any packaging and/or transportation braces (if available).
- Check to see if all items are supplied.
- Inspect the equipment and accessories for transport damage.
- If possible, please keep the packaging until the end of the guarantee period.

Important!

The equipment and packaging material are not toys. Do not let children play with plastic bags, foils or small parts. There is a danger of swallowing or suffocating!

- Handle
- Suction hose
- 3-piece suction tube
- Dual purpose nozzle
- Castor (2x)
- Pleated filter with cover
- Foamed plastic filter
- Wheel (2x)
- Adapter
- Fastening screw for handle (2x)
- Washer (2x)
- Crevice nozzle
- Original operating instructions

The equipment comes with a chain (Fig. 5/z) on the tank bottom. The chain helps to prevent static charging during use.

3. Proper use

The wet and dry vacuum cleaner is designed for wet and dry vacuuming using the appropriate filter. The equipment is not suitable for the vacuuming of combustible, explosive or harmful substances.

The equipment is to be used only for its prescribed purpose. Any other use is deemed to be a case of misuse. The user / operator and not the manufacturer will be liable for any damage or injuries of any kind caused as a result of this.

Please note that our equipment has not been designed for use in commercial, trade or industrial applications. Our warranty will be voided if the machine is used in commercial, trade or industrial businesses or for equivalent purposes.

4. Technical data

Mains voltage.....230V ~ 50 Hz
Power consumption: 1500 W
Max. power consumption
Automatic socket-outlet: 1490 W
Max. total power consumption: 2990 W
Tank volume:30 l
Weight:6.3 kg
Wet vacuuming - max. water temperature 40°C

5. Before starting the equipment

Before you connect the equipment to the mains supply make sure that the data on the rating plate are identical to the mains data.

The equipment may be connected only to a shock-proof socket-outlet.

5.1 Assembling the equipment Fitting the equipment head (Fig. 6)

The equipment head (3) is fastened to the tank (8) by the locking hooks (7). To remove the equipment head (3), open both of the locking hooks (7) and take off the equipment head (3). When fitting the equipment head (3), make sure that both of the locking hooks (7) lock into place correctly.



GB

Fitting the wheels (Fig. 5)

Fit the wheels in accordance with Fig. 5.

Fitting the handle (Fig. 4)

Use a screwdriver to fit the handle (1) using both screws (21).

5.2 Fitting the filters

⚠ Caution!

Never use the wet and dry vacuum cleaner without a filter.

Always ensure that the filters are securely seated.

Fitting the foam filter (Fig. 7)

For wet vacuuming, slip the supplied foam filter (16) over the filter basket (Fig. 2/4). The pleated filter (15) already fitted upon delivery is not suitable for wet vacuuming.

Fitting the pleated filter (Fig. 8)

For dry-vacuuming, slip the pleated filter (Fig. 15) over the filter basket (Fig. 2/4). The pleated filter (15) is suitable for dry-vacuuming only.

Fitting the dirt bag

(not supplied)

For vacuuming fine, dry dirt it is recommended that you also fit the dirt bag. This will ensure that the pleated filter (15) does not clog up so quickly and help maintain the vacuuming power. It also makes it easier to dispose of the dust. Slip the dirt bag over the vacuuming hole. The dirt bag is suitable for dry-vacuuming only.

5.3 Fitting the suction hose (Fig. 9-12)

Connect the suction hose (11) to the corresponding connector on the wet and dry vacuum cleaner, depending on the application required.

Vacuuming

Connect the suction hose (11) to the suction hose connector (9).

Blowing

Connect the suction hose (11) to the blow connector (10).

To extend the suction hose (11) you can attach one or more of the elements which make up the 3-part suction tube (12) to the suction hose (11).

5.4 Suction nozzles

Combination nozzle (13)

The dual-purpose nozzle (13) is for vacuuming solids and liquids over medium to large areas.

6. Operation

6.1 ON/OFF switch (Fig. 2/2)

Switch position 0: Off

Switch position I: Normal mode

Switch position AUTO: Automatic mode

6.2 Dry vacuuming

For dry-vacuuming, use the pleated filter (15). In addition, you can also fit the dirt bag. (See point 5.2)

Always ensure that the filters are securely seated.

6.3 Wet vacuuming

For wet-vacuuming, use the foam filter (16) (see point 5.2).

Check that the filter is securely seated at all times.

Water drain screw (Fig. 1)

To make the tank (8) easier to empty after wet vacuuming, it is fitted with a water drain screw (19). Open the water drain screw (19) by turning it anti-clockwise and drain the liquid.

⚠ Caution!

When wet vacuuming, the floating safety switch (5) closes when the maximum tank level is reached. At the same time, the suction noise of the equipment will change and become louder. You must then switch off the equipment and empty the tank.

⚠ Caution!

The wet and dry vacuum cleaner is not suitable for the vacuuming of combustible liquids. For wet vacuuming, use only the supplied foam filter. Do not vacuum liquids with a temperature above 40°C.

6.4 Automatic mode

Connect the power cable of your electric tool to the automatic socket-outlet (6) and connect the suction hose (11) to the vacuuming connector of your electric tool. Check that the connections are secure and air-tight.



GB

Set the switch (2) on the wet and dry vacuum cleaner to position „AUTO“ (automatic mode). The moment you switch on the electric tool, the wet and dry vacuum cleaner switches on as well. When you switch off the electric tool, the wet and dry vacuum cleaner switches off as well after a pre-set delay.

6.5 Blowing

Connect the suction hose (11) to the blow connector (10) on the wet and dry vacuum cleaner.

7. Cleaning, maintenance and ordering of spare parts

Always pull out the mains power plug before starting any cleaning work.

7.1 Cleaning

- Keep all safety devices, air vents and the motor housing free of dirt and dust as far as possible.
- We recommend that you clean the equipment immediately after you use it.

7.2 Cleaning the equipment head (3)

Clean the equipment regularly with a damp cloth and some soft soap. Do not use cleaning agents or solvents; these may be aggressive to the plastic parts in the equipment.

7.3 Cleaning the tank (8)

The tank can be cleaned with a damp cloth and some soft soap or under running water, depending on the amount of dirt.

7.4 Cleaning the filters

Cleaning the pleated filter (15)

Clean the pleated filter (15) regularly by carefully patting it and cleaning it with a fine brush or hand brush.

Cleaning the foam filter (16)

Clean the foam filter (16) with a little soft soap under running water and allow it to air-dry.

7.5 Maintenance

At regular intervals and before each use, check that the filters in the wet and dry vacuum cleaner are securely fitted.

7.6 Ordering replacement parts:

Please quote the following data when ordering replacement parts:

- Type of machine
- Article number of the machine
- Identification number of the machine
- Replacement part number of the part required

For our latest prices and information please go to www.isc-gmbh.info

8. Disposal and recycling

The equipment is supplied in packaging to prevent it from being damaged in transit. The raw materials in this packaging can be reused or recycled. The equipment and its accessories are made of various types of material, such as metal and plastic. Never place defective equipment in your household refuse. The equipment should be taken to a suitable collection center for proper disposal. If you do not know the whereabouts of such a collection point, you should ask in your local council offices.

9. Storage

Store the equipment and accessories out of children's reach in a dark and dry place at above freezing temperature. The ideal storage temperature is between 5 and 30 °C. Store the electric tool in its original packaging.



GB



For EU countries only

Never place any electric power tools in your household refuse.

To comply with European Directive 2002/96/EC concerning old electric and electronic equipment and its implementation in national laws, old electric power tools have to be separated from other waste and disposed of in an environment-friendly fashion, e.g. by taking to a recycling depot.

Recycling alternative to the return request:

As an alternative to returning the equipment to the manufacturer, the owner of the electrical equipment must make sure that the equipment is properly disposed of if he no longer wants to keep the equipment. The old equipment can be returned to a suitable collection point that will dispose of the equipment in accordance with the national recycling and waste disposal regulations. This does not apply to any accessories or aids without electrical components supplied with the old equipment.

The reprinting or reproduction by any other means, in whole or in part, of documentation and papers accompanying products is permitted only with the express consent of the iSC GmbH.

Subject to technical changes



GB

Service information

Please contact Einhell UK Ltd, from the details on the guarantee certificate whose contact details can also be found on the guarantee certificate. Einhell UK Ltd will help you with all service requests such as repairs, spare and wearing part orders or the purchase of consumables.

Please note that the following parts of this product are subject to normal or natural wear and that the following parts are therefore also required for use as consumables.

Category	Example
Wear parts*	Combination nozzle, crevice nozzle, upholstery nozzle, electric tool adapter, etc.
Consumables*	Pleated filter, foam filter, dirt bag, additional filter, etc.
Missing parts	

* Not necessarily included in the scope of delivery!

In the event of defects or faults, please register the problem on the internet at www.einhell.co.uk or by telephone on 0151 649 1500 (GB) or 1890 946244 (IRE). Please ensure that you provide a precise description of the problem and answer the following questions in all cases:

- Did the equipment work at all or was it defective from the beginning?
- Did you notice anything (symptom or defect) prior to the failure?
- What malfunction does the equipment have in your opinion (main symptom)?
Describe this malfunction.



GB

Warranty certificate

Dear Customer,

All of our products undergo strict quality checks to ensure that they reach you in perfect condition. In the unlikely event that your device develops a fault, please contact our service department at the address shown on this guarantee card. You can also contact us by telephone using the service number shown. Please note the following terms under which guarantee claims can be made:

1. These guarantee conditions regulate additional guarantee services. Your statutory guarantee claims are not affected by this guarantee. Our guarantee is free of charge to you.
2. Our guarantee only covers defects suffered by the device which have been verifiably caused by a material or manufacturing fault and is limited to the rectification of such defects or the replacement of the device at our discretion.

Please note that our devices are not designed for use in commercial, trade or professional applications. A guarantee contract will not be created if the device has been used by commercial, trade or industrial business or has been exposed to similar stresses during the guarantee period.

3. The following are not covered by our guarantee:
 - Damage to the device caused by a failure to follow the assembly instructions or due to incorrect installation, a failure to follow the operating instructions (for example connecting it to an incorrect mains voltage or current type) or a failure to follow the maintenance and safety instructions or by exposing the device to abnormal environmental conditions or by lack of care and maintenance.
 - Damage to the device caused by abuse or incorrect use (for example overloading the device or the use of unapproved tools or accessories), ingress of foreign bodies into the device (such as sand, stones or dust, transport damage), the use of force or damage caused by external forces (for example by dropping it).
 - Damage to the device or parts of the device caused by normal or natural wear or tear or by normal use of the device.
4. The guarantee is valid for a period of 24 months starting from the purchase date of the device. Guarantee claims should be submitted before the end of the guarantee period within two weeks of the defect being noticed. No guarantee claims will be accepted after the end of the guarantee period. The original guarantee period remains applicable to the device even if repairs are carried out or parts are replaced. In such cases, the work performed or parts fitted will not result in an extension of the guarantee period, and no new guarantee will become active for the work performed or parts fitted. This also applies if an on-site service is used.
5. Please report the defective device on the following internet address to register your guarantee claim: www.einhell.co.uk or by telephone on 0151 649 1500 (GB) or 1890 946244 (IRE). If the defect is covered by our guarantee, then the item in question will either be repaired immediately and returned to you or we will send you a new replacement device.

Of course, we are also happy offer a chargeable repair service for any defects which are not covered by the scope of this guarantee or for units which are no longer covered. To take advantage of this service, please send the device to our service address.

Also refer to the restrictions of this warranty concerning wear parts, consumables and missing parts as set out in the service information in these operating instructions.



ISC GmbH · Eschenstraße 6 · D-94405 Landau/Isar



Konformitätserklärung

- | | |
|--|--|
| <p>D erklärt folgende Konformität gemäß EU-Richtlinie und Normen für Artikel</p> <p>GB explains the following conformity according to EU directives and norms for the following product</p> <p>F déclare la conformité suivante selon la directive CE et les normes concernant l'article</p> <p>I dichiara la seguente conformità secondo la direttiva UE e le norme per l'articolo</p> <p>NL verklaart de volgende overeenstemming conform EU richtlijn en normen voor het product</p> <p>E declara la siguiente conformidad a tenor de la directiva y normas de la UE para el artículo</p> <p>P declara a seguinte conformidade, de acordo com a directiva CE e normas para o artigo</p> <p>DK attesterer følgende overensstemmelse i medfør af EU-direktiv samt standarder for artikel</p> <p>S förklarar följande överensstämmelse enl. EU-direktiv och standarder för artikeln</p> <p>FIN vakuuttaa, että tuote täyttää EU-direktiivin ja standardien vaatimukset</p> <p>EE tõendab toote vastavust EL direktiivile ja standarditele</p> <p>CZ vydává následující prohlášení o shodě podle směrnice EU a norem pro výrobek</p> <p>SLO potrjuje sledečo skladnost s smernico EU in standardi za izdelke</p> <p>SK vydáva nasledujúce prehlásenie o zhode podľa smernice EÚ a noriem pre výrobok</p> <p>H a cikkekhez az EU-irányvonal és Normák szerint a következő konformitást jelenti ki</p> | <p>PL deklaruje zgodność wymienionego poniżej artykułu z następującymi normami na podstawie dyrektywy WE.</p> <p>BG декларира съответното съответствие съгласно Директива на ЕС и норми за артикул</p> <p>LV paskaidro šādu atbilstību ES direktīvai un standartiem</p> <p>LT apibūdina šį atitikimą EU reikalavimams ir prekės normoms</p> <p>RO declară următoarea conformitate conform directivei UE și normelor pentru articolul</p> <p>GR δηλώνει την ακόλουθη συμμόρφωση σύμφωνα με την Οδηγία ΕΚ και τα πρότυπα για το προϊόν</p> <p>HR potvrđuje sljedeću usklađenost prema smjernicama EU i normama za artikl</p> <p>BIH potvrđuje sljedeću usklađenost prema smjernicama EU i normama za artikl</p> <p>RS potvrđuje sledeću usklađenost prema smernicama EZ i normama za artikl</p> <p>RUS следующим удостоверяется, что следующие продукты соответствуют директивам и нормам ЕС</p> <p>UKR проголошує про зазначену нижче відповідність виробу директивам та стандартам ЄС на виріб</p> <p>MK ja izjavuва следната сообразност согласно ЕУ-директивата и нормите за артикли</p> <p>TR Ürünü ile ilgili AB direktifleri ve normları gereğince aşağıda açıklanan uygunluğu belirtir</p> <p>N erklærer følgende samsvar i henhold til EU-direktivet og standarder for artikkel</p> <p>IS Lýsir uppfyllingu EU-reglna og annarra staðla vöru</p> |
|--|--|

Wet and Dry Vacuum Cleaner TE-VC 1930 SA (Einhell)

- | | |
|--|---|
| <input type="checkbox"/> 87/404/EC_2009/105/EC | <input type="checkbox"/> 2006/42/EC |
| <input checked="" type="checkbox"/> 2005/32/EC_2009/125/EC | <input type="checkbox"/> Annex IV
Notified Body:
Notified Body No.:
Reg. No.: |
| <input checked="" type="checkbox"/> 2006/95/EC | |
| <input type="checkbox"/> 2006/28/EC | |
| <input checked="" type="checkbox"/> 2004/108/EC | <input type="checkbox"/> 2000/14/EC_2005/88/EC |
| <input type="checkbox"/> 2004/22/EC | <input type="checkbox"/> Annex V |
| <input type="checkbox"/> 1999/5/EC | <input type="checkbox"/> Annex VI
Notified Body: L _{wa} = dB (A); guaranteed L _{wa} = dB (A)
P = KW; L/Ø = cm |
| <input type="checkbox"/> 97/23/EC | Notified Body: |
| <input type="checkbox"/> 90/396/EC_2009/142/EC | <input type="checkbox"/> 2004/26/EC
Emission No.: |
| <input type="checkbox"/> 89/686/EC_96/58/EC | |
| <input checked="" type="checkbox"/> 2011/65/EC | |

Standard references: EN 60335-1; EN 60335-2-2; EN 62233;
EN 55014-1; EN 55014-2; EN 61000-3-2; EN 61000-3-3

Landau/Isar, den 03.09.2013


Weichselgartner/General-Manager


Schunk/Product-Management

First CE: 12
Art.-No.: 23.421.95 I.-No.: 11013
Subject to change without notice

Archive-File/Record: NAPR008970
Documents registrar: Daniel Protschka
Wiesenweg 22, D-94405 Landau/Isar



A series of horizontal lines for writing, starting with two lines that are slightly indented from the left margin, followed by a series of evenly spaced lines extending across the page.



A series of horizontal lines for writing, starting with two lines that are connected to the pencil icon, followed by 20 more parallel lines extending across the page.



A series of 20 horizontal lines for writing, starting from the top of the page and extending downwards. The lines are evenly spaced and cover most of the page's width.

