

QUALCAST



30cc Petrol Brush Cutter

Original Operating Instructions



**POWERFUL 30CC 2 STROKE
PETROL ENGINE WITH TWIN
HEAD ATTACHMENT**
Can be used as a Grass Trimmer
or Brush Cutter



TWIN HEAD ATTACHMENT
With Automatic line feed for
continuous trimming



**23CM CUTTING WIDTH
WHEN BRUSH CUTTING,
43CM CUTTING WIDTH
WHEN GRASS TRIMMING**
Large cutting area for efficiency



**EASY PULL STARTING
SYSTEM WITH ROTOCHOKE**
Quick and easy to start



**CARRY STRAP /
HARNESSES INCLUDED**
For greater control and comfort



AFTER SALES SUPPORT

UK / IRELAND HELPLINE NO 0151 6491500
REP. IRELAND HELPLINE NO 1890 946244
WEB SUPPORT www.einhell-uk.co.uk

MODEL NUMBER: HQ-BC30
HOMEBASE ARTICLE NUMBER: 351571



Contents

- 03. Safety Guide
- 06. Assembly and Parts list
- 14. Getting Started
- 16. Operation
- 21. Trouble Shooting
- 23. Declaration of Conformity
- 24. Guarantee Certificate



1



2



3



4



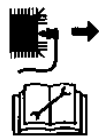
5



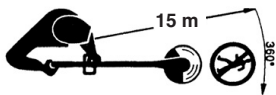
6



7



8



9



10



11

Explanation of the information signs on the equipment:

1. Warning!
2. Read the instructions for use before operating the equipment.
3. Wear safety goggles, a face guard and ear defenders.
4. Wear sturdy, non-slip footwear.
5. Wear safety gloves.
6. Protect the equipment from rain and damp.
7. Be careful of objects being thrown out!
8. Always switch off the equipment and pull out the spark boot plug before carrying out any maintenance work.
9. All bystanders must be kept at least 15 m from the equipment.
10. The tool continues to rotate!
11. Caution: Hot parts. Keep your distance.

Safety Information

1. Read the instructions with due care. Familiarize yourself with the settings and proper operation of the machine.
2. Never allow children or other persons who are not familiar with the operating instructions to use the petrol grass trimmer.
3. Never mow in the direct vicinity of persons - especially children - or animals.

Warning: Maintain a safety distance of 15m. If approached, switch off the appliance immediately. Always keep in mind that the machine operator or user is responsible for accidents involving other persons and/or their property.

Preliminary measures

1. Always wear sturdy, non-slip footwear and long trousers when operating the machine. Never operate the machine barefoot or in sandals.
2. Check the grounds on which the machine will be used and remove all objects that could be caught up and violently flung out.
3. Warning: Petrol is highly flammable!
 - Only store petrol in containers designed to hold petroleum-based liquids.
 - Only refuel out in the open and do not smoke during the refueling process.
 - Always refuel before starting the engine. Do not open fuel tank cap and do not refuel when the engine is running or when the brush cutter is hot.
 - If petrol has overflowed, do not under any circumstances attempt to start the engine. Instead, remove the machine from the affected area. Avoid starting the engine until the petrol fumes have completely evaporated.
 - For safety reasons, the petrol tank and other tank closures must be replaced if they are damaged.
4. Replace defective exhausts.
5. Before using the petrol brush cutter, visually inspect it to ensure that the mounting bolts and the entire cutting apparatus are in good working order (i.e. not worn out or damaged). To prevent any imbalance, replace worn out blades or damaged mounting bolts as a set only (if applicable).

Handling

1. Wear close fitting, tough work clothing that will provide protection, such as long slacks or trousers, protective footwear, heavy duty work gloves, hard hat, a safety face shield, or safety glasses for eye protection and a good grade of ear defenders or other sound barriers for hearing protection.
2. Store in a safe place. Open fuel cap slowly to release any pressure which may have formed in fuel tank. To prevent a fire hazard, move at least 10 feet (3 meters) from fueling area before starting.
3. Turn unit off before setting it down.
4. Always hold unit firmly with both hands, the thumb and fingers encircling the handles.
5. Keep all screws and fasteners tight. Never operate your equipment when it is improperly adjusted or not completely and securely assembled.
6. Keep handles dry, clean and free of fuel mixture.
7. Keep the cutting head as close to ground as practical. Avoid hitting small objects with the line spool. When cutting on a slope, stand below stringhead. NEVER cut or trim on a hill or slope, etc. if there is the slightest chance of slipping, sliding or losing firm footing.
8. Check the area you will be trimming for debris that may be struck or thrown during operation.
9. Keep all parts of your body and clothing away from the cutting head when starting or running engine. Before starting the engine, make sure the cutting head will not come in contact with any obstructions.
10. Stop the engine before examining cutting line.
11. Store equipment away from possible flammable materials, such as gas-powered water heaters, clothes dryers, or oil-fired furnaces, portable heaters, etc.
12. Always keep the safety guard, the cutting head, and engine free of debris build-up.
13. Operation of equipment should always be restricted to mature and properly instructed individuals.
14. If unfamiliar with trimming techniques, practice the procedures with engine in "OFF" position.
15. Always clear work area of debris such as cans, bottles, rocks, etc. Striking objects can cause serious injury to the operator or bystanders and also damage equipment. If an object is hit accidentally, turn the

engine off immediately and examine the equipment. Never operate unit with damaged or defective equipment.

16. Always trim or cut at high engine speeds. Do not run engine slowly at start or during trimming operations.
17. Do not use equipment for purposes other than trimming or mowing weeds.
18. Never raise the cutting head above knee height during operation.
19. Do not operate unit with other people or animals in the immediate vicinity. Allow a minimum of 50 feet (15 meters) between operator and other people and animals when trimming or mowing. Allow a distance of 100 feet (30 meters) between operator and other people and animals when operating the petrol grass trimmer.
20. If operating on a slope, stand below the cutting attachment. Do not operate on a slope or hilly incline if there is the slightest chance of slipping or losing your footing.

Additional instructions

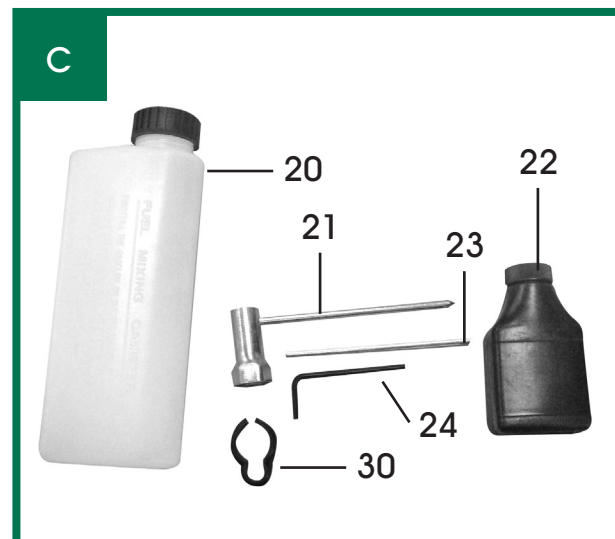
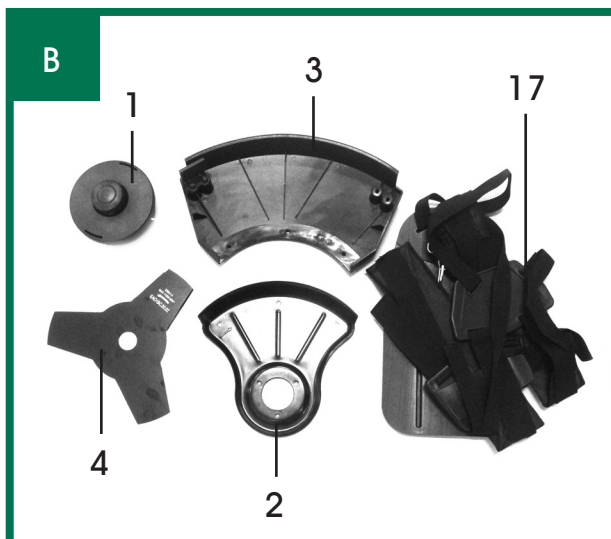
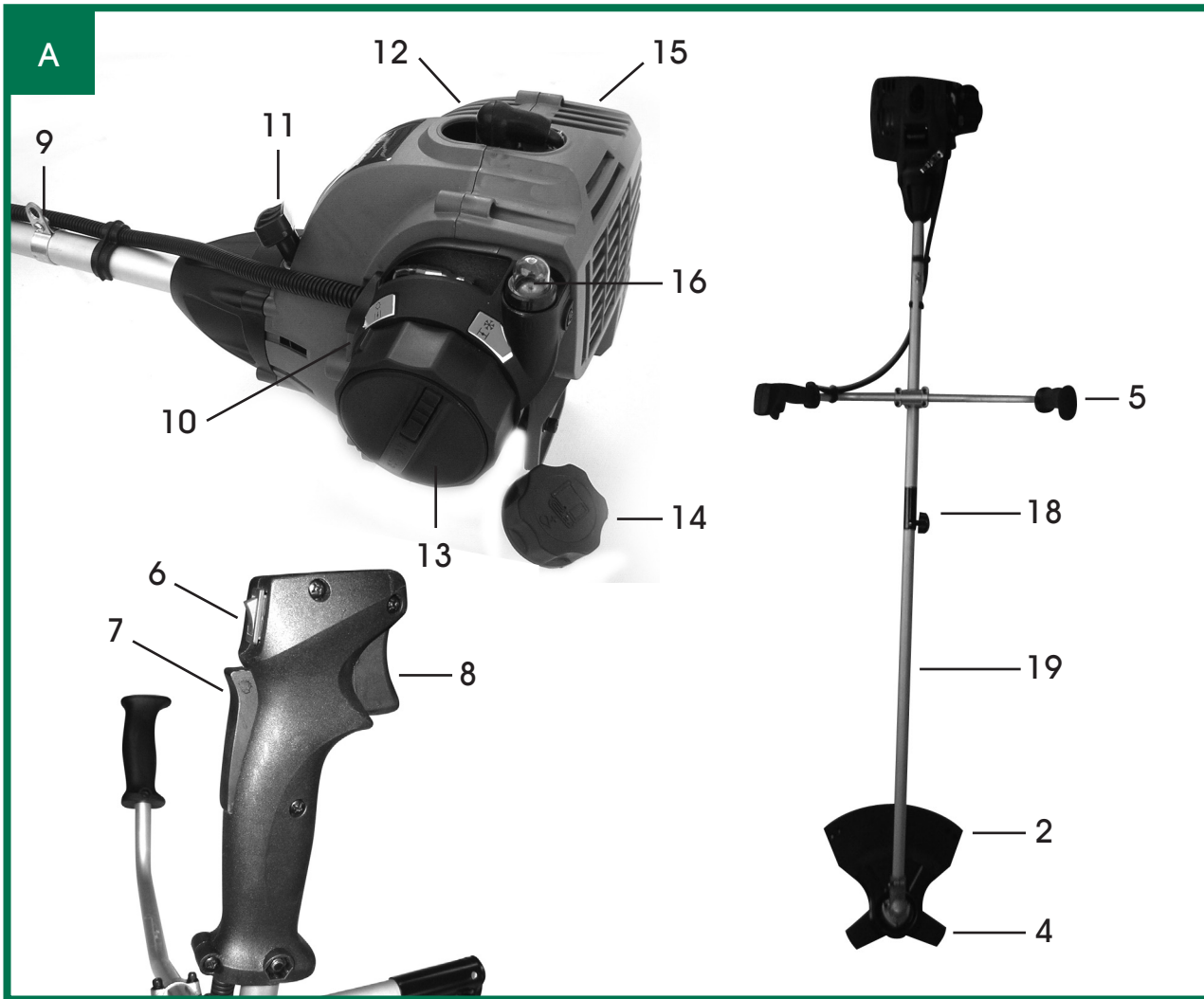
1. DO NOT USE ANY OTHER FUEL other than that recommended in your manual. Always follow instructions in the Fuel and Oil section of this manual. Never use petrol unless it is properly mixed with 2-stroke engine oil. Permanent damage to engine will result, voiding manufacturer's warranty.
2. DO NOT SMOKE while refueling or operating equipment.
3. DO NOT OPERATE UNIT WITHOUT AN EXHAUST and properly installed exhaust shield.
4. DO NOT TOUCH or let your hands or body come in contact with the exhaust. Hold unit with thumbs and fingers encircling the handles.
5. DO NOT OPERATE UNIT IN AWKWARD POSITIONS, off balance, outstretched arms, or one-handed. Always use two hands when operating unit with thumbs and fingers encircling the handles.
6. DO NOT RAISE THE LINE SPOOL above ground level while unit is operating. Injury to operator could result.
7. DO NOT USE UNIT FOR ANY PURPOSES OTHER than trimming lawn or garden areas.
8. DO NOT OPERATE UNIT FOR PROLONGED PERIODS. Rest periodically.
9. DO NOT OPERATE UNIT WHILE UNDER THE

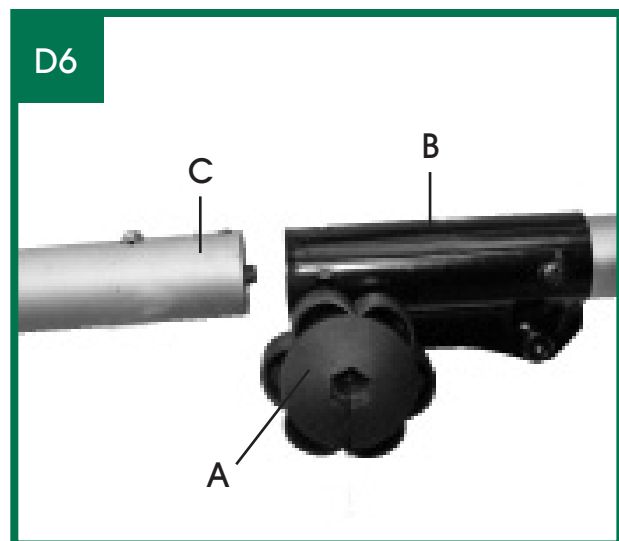
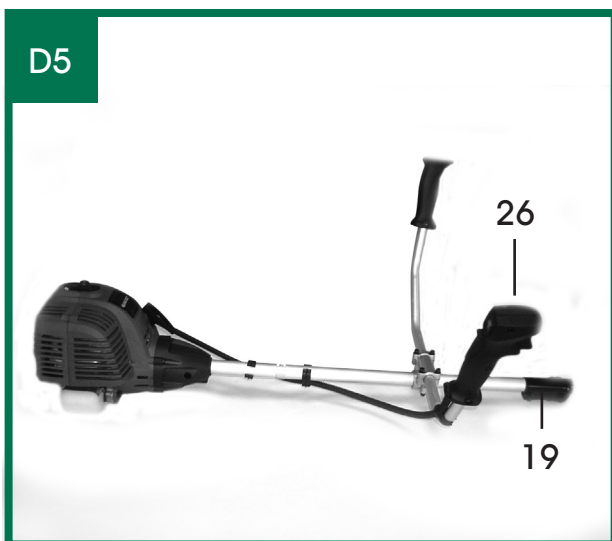
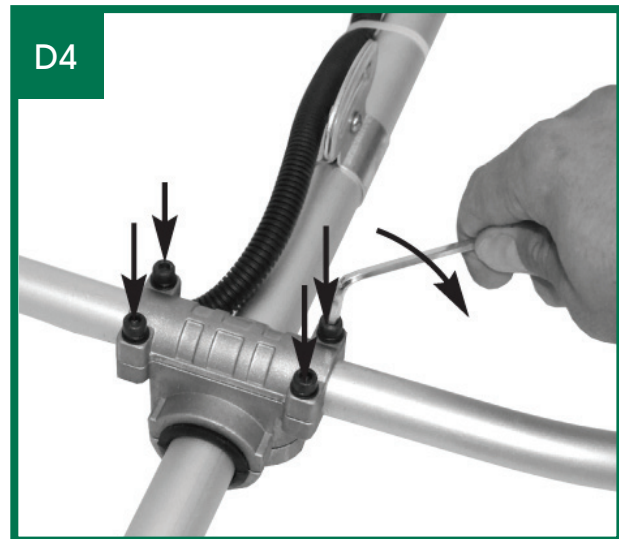
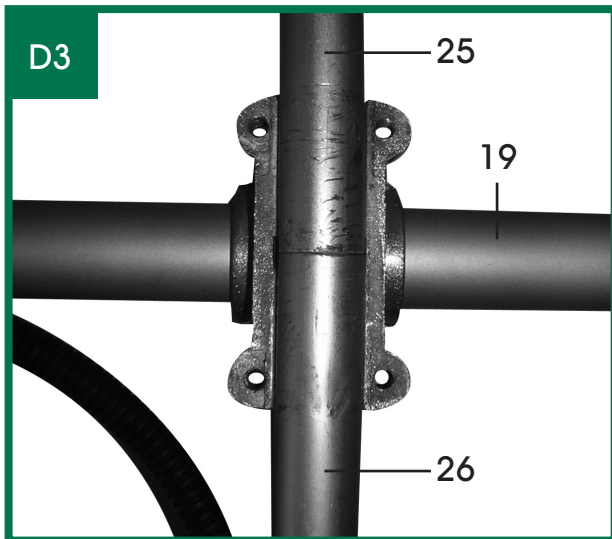
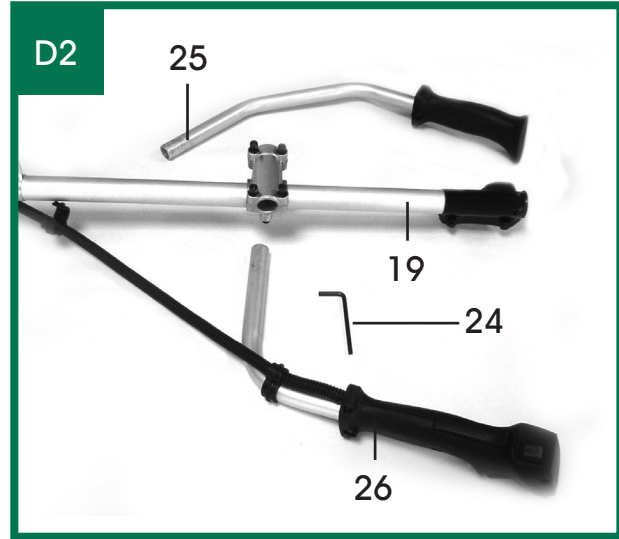
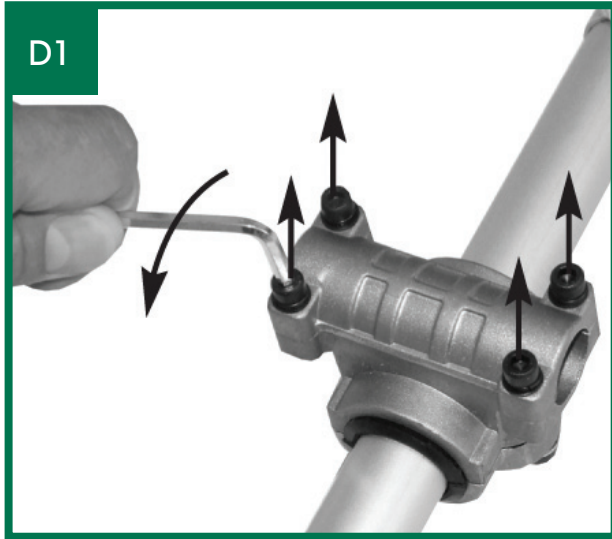
INFLUENCE OF ALCOHOL OR DRUGS.

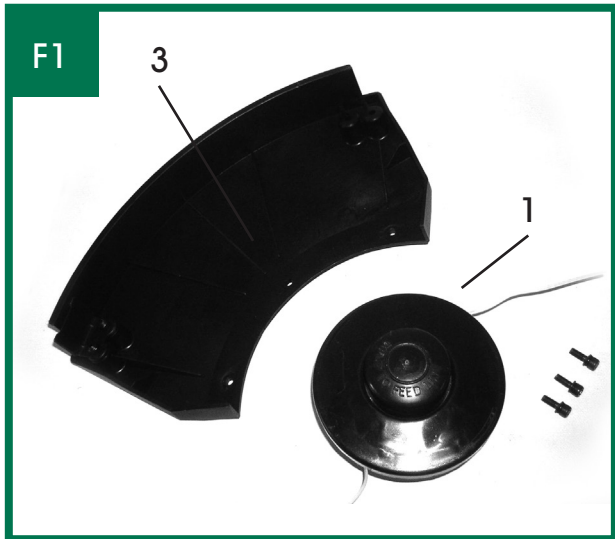
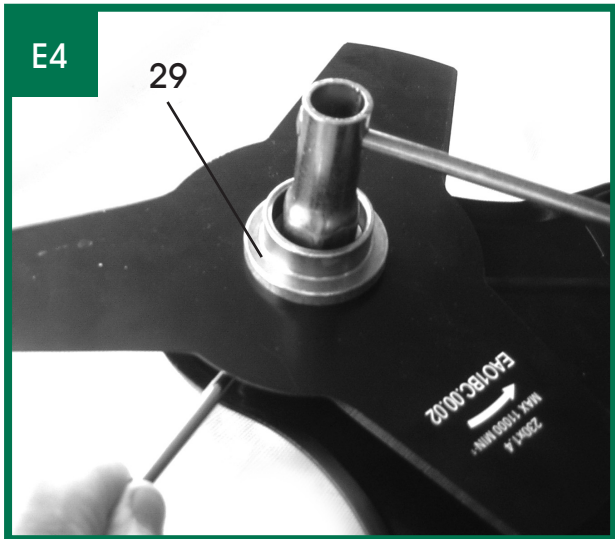
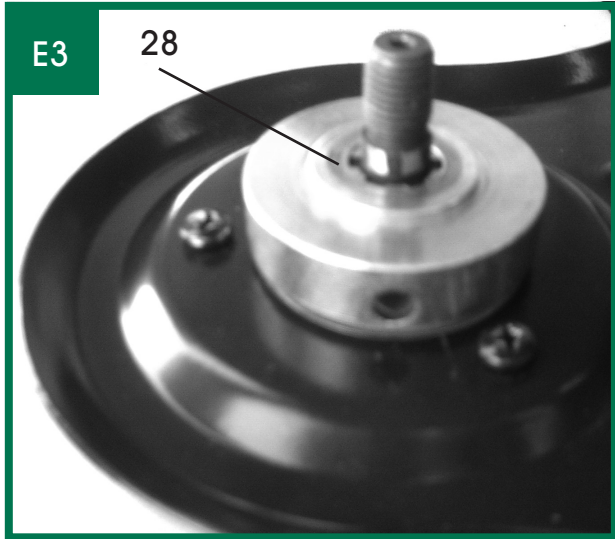
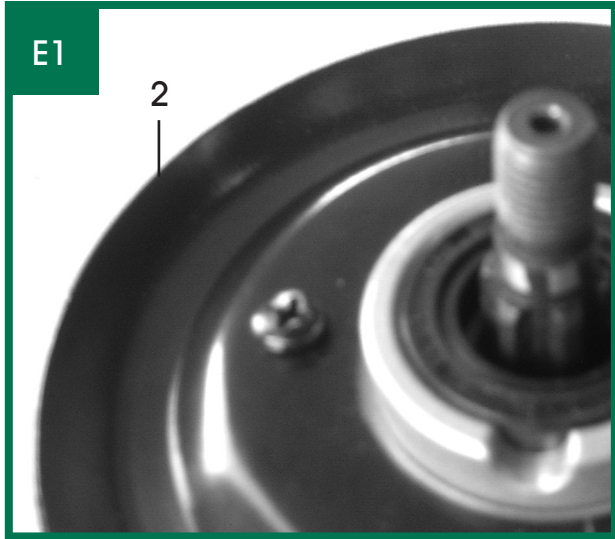
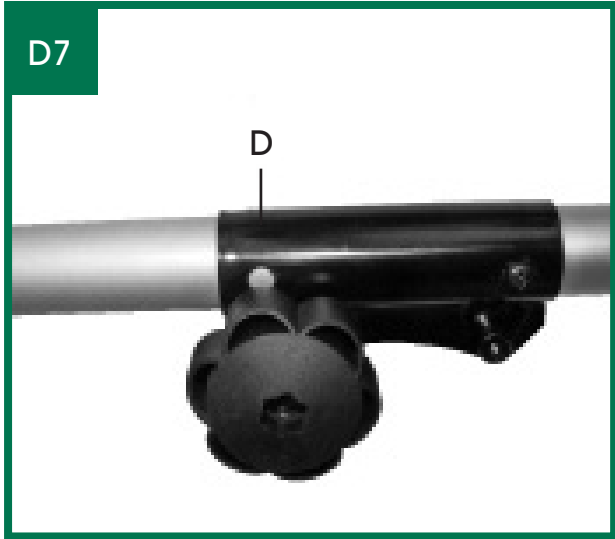
10. DO NOT OPERATE UNIT UNLESS SAFETY GUARD IS INSTALLED AND IN GOOD CONDITION.
11. DO NOT ADD, REMOVE OR ALTER ANY COMPONENTS OF THIS PRODUCT. Doing so could cause personal injury and/or damage the unit voiding the warranty.
12. DO NOT operate your unit near or around flammable liquids or gases whether in or out of doors. An explosion and/or fire may result.
13. DO NOT USE ANY OTHER CUTTING TOOLS. For your own safety only use the accessories and additional equipment specified in the operating manual. The use of tools or accessories other than those recommended in this operating manual may place you in danger of personal injury.

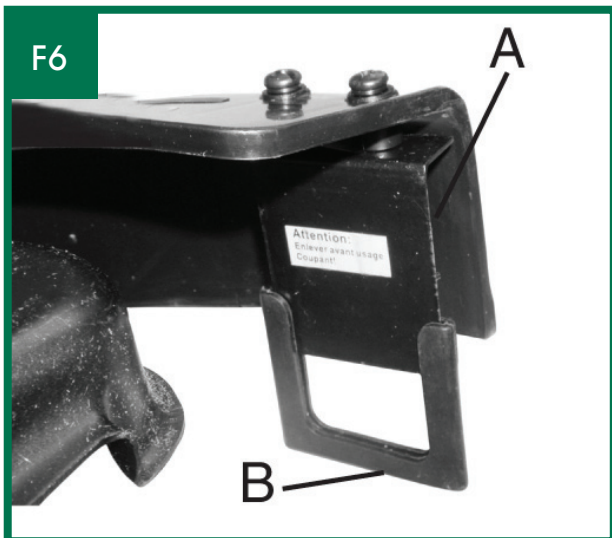
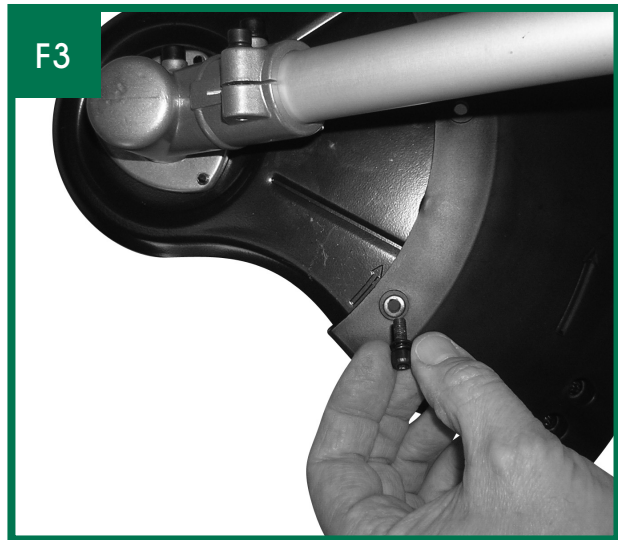
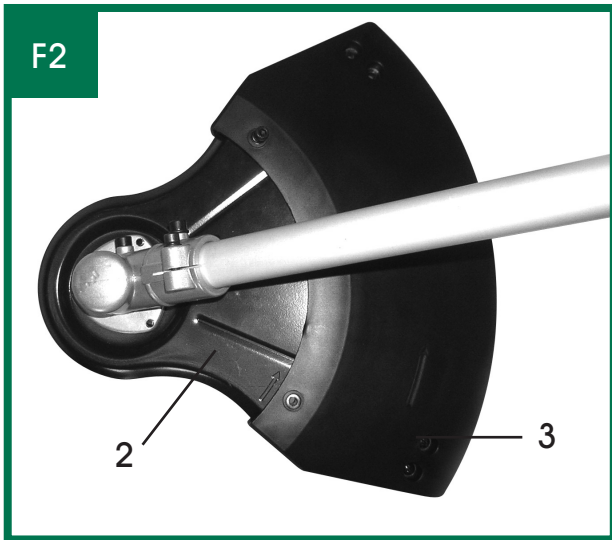
Safety when handling the blade

1. FOLLOW ALL WARNINGS and instructions for using the machine and for installing the blade.
2. **The blade may suddenly jump away out of control if it comes up against objects which it cannot cut through. This may result in Serious injury.** Keep onlookers and animals at least 15 m away from where you are working. If the machine strikes a foreign body, stop the engine immediately and bring the blade to a standstill. Check the blade for signs of damage. **Always** replace the blade if it is bent or damaged.
3. THE BLADE WILL THROW UP OBJECTS AT HIGH SPEED: This may cause injuries to eyes, face and legs. Always wear eye, face and leg protection. Remove all objects from the working area before using the blade. Keep other people and animals at least 15 m away from the machine in all directions.
4. **Check your machine and other equipment carefully for signs of damage.** Do not use the machine unless all the blade mountings have been installed correctly.
5. THE BLADE WILL SLOW DOWN AND STOP IF YOU RELEASE THE THROTTLE VALVE. While it is slowing down, the blade can still cause injury to you or onlookers. Before you carry out any work on the blade, switch off the engine and make sure that the blade has stopped.
6. DANGER ZONE WITH A DIAMETER OF 15 METRES. Onlookers may suffer injuries. Keep onlookers and animals at least 15 m away from where you are working.

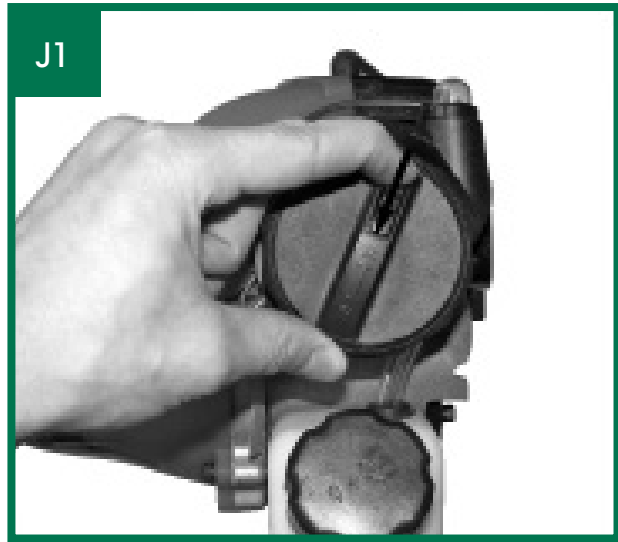
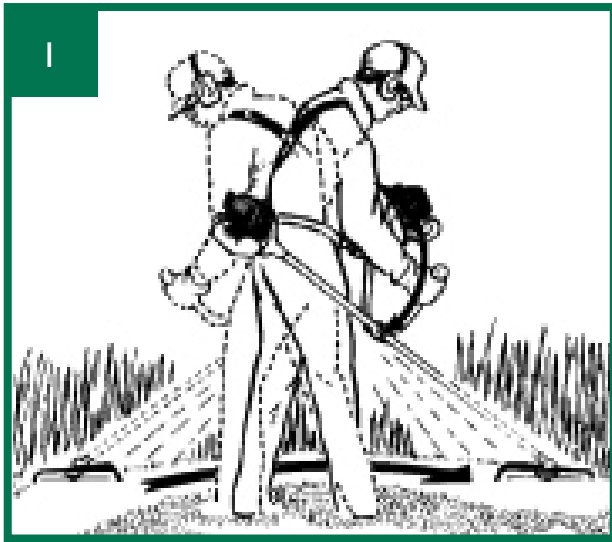
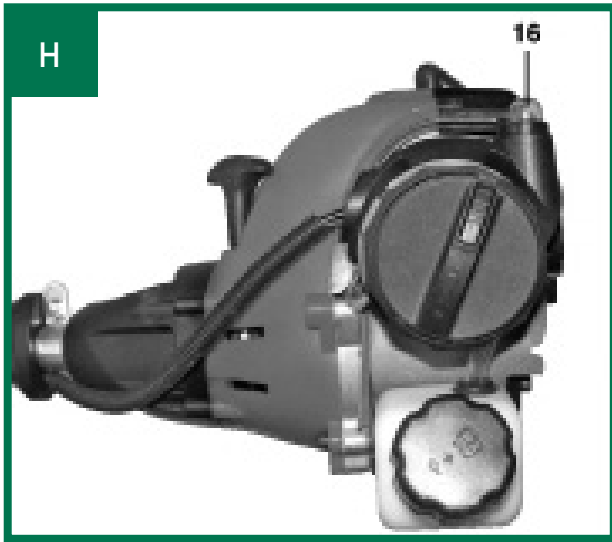


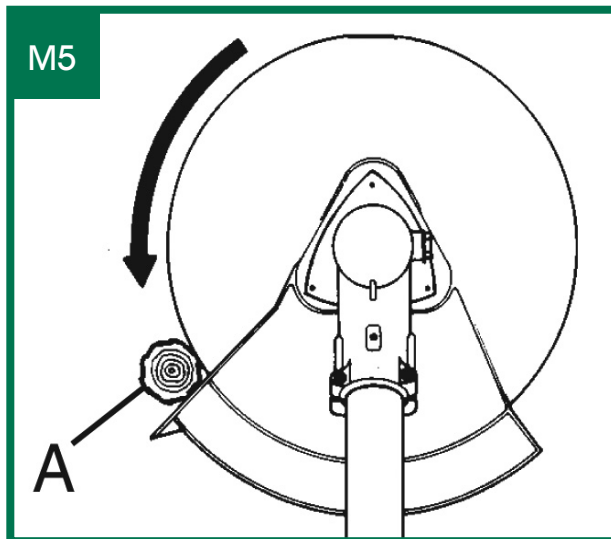
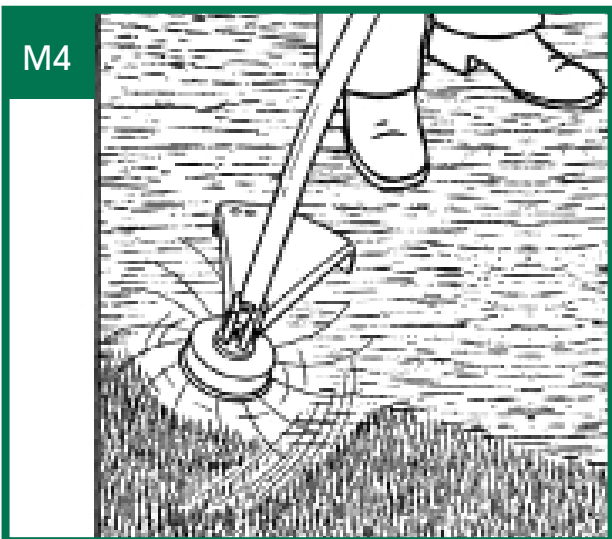
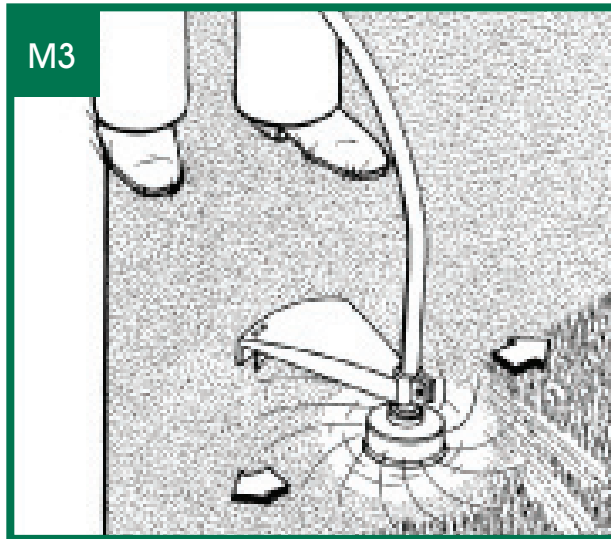
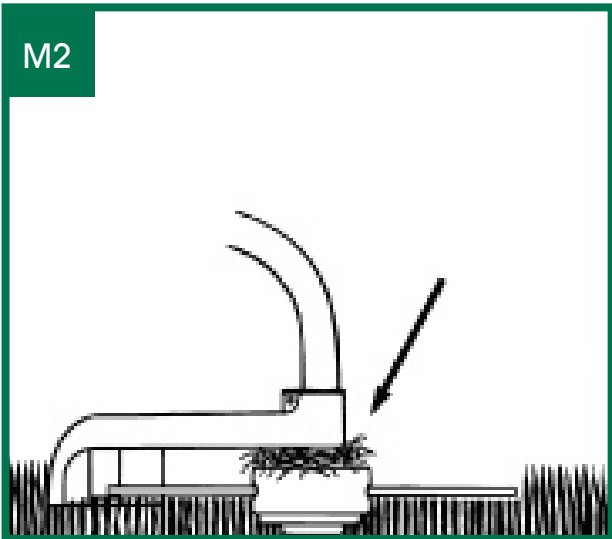
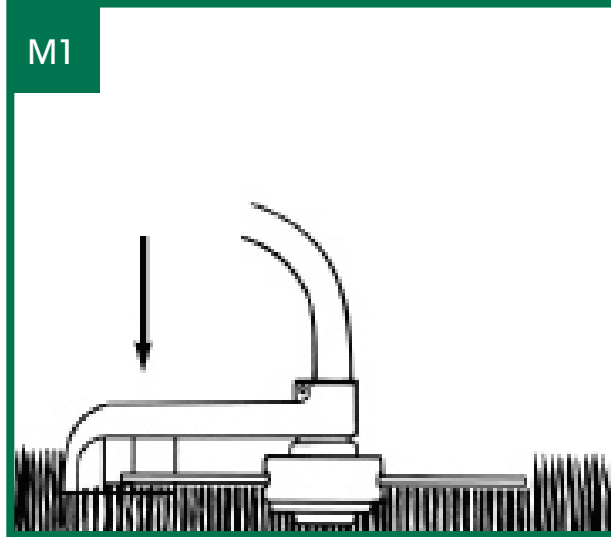


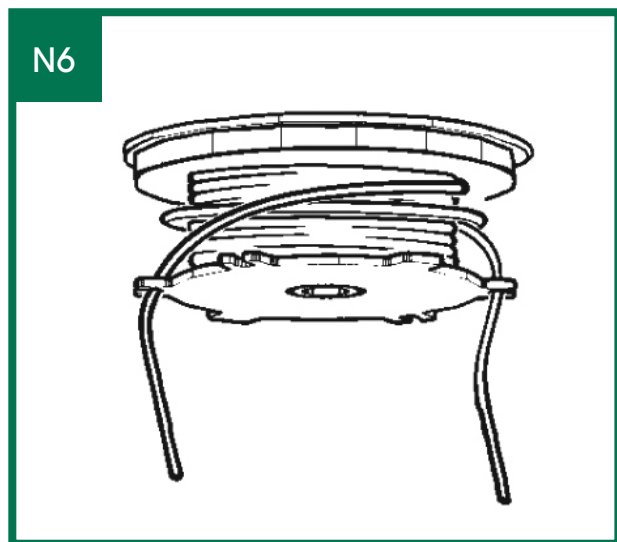
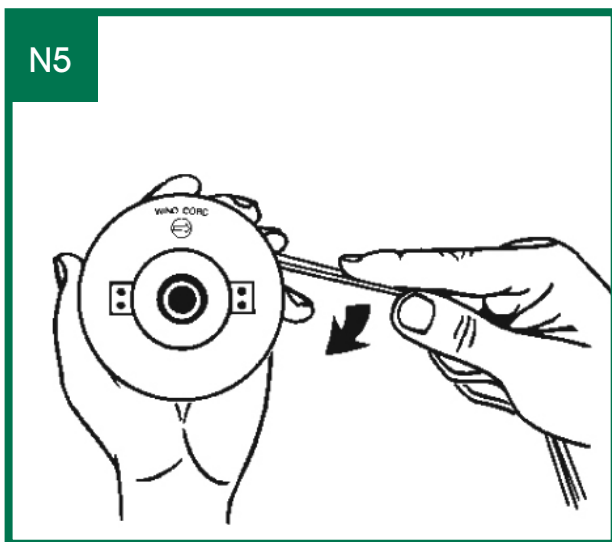
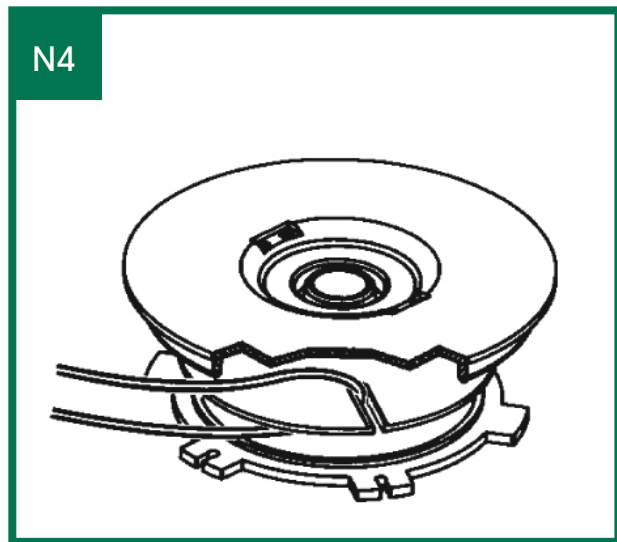
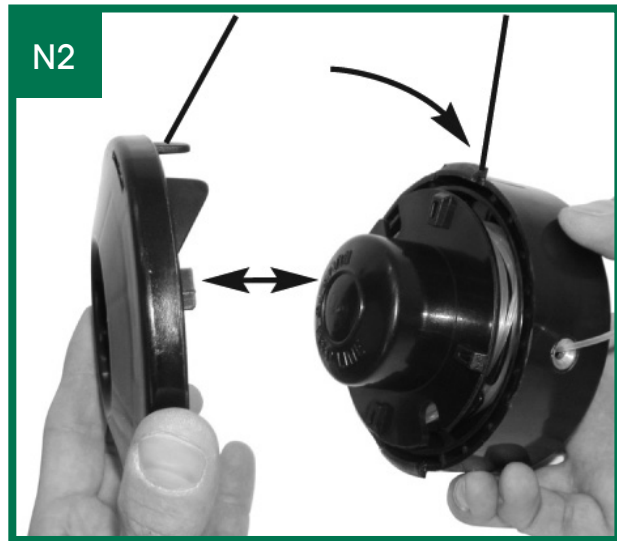


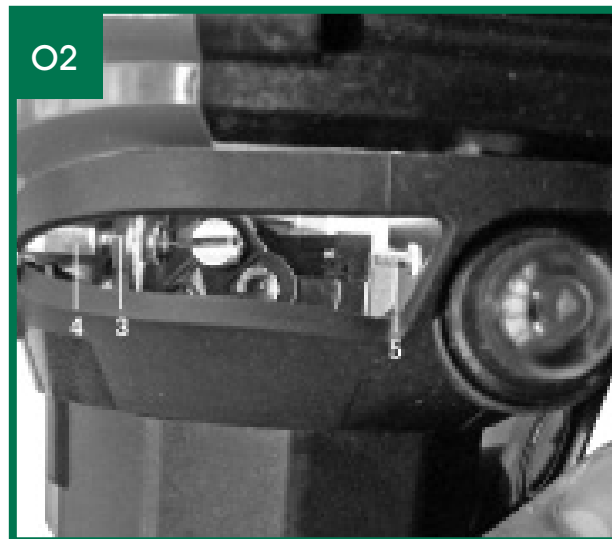
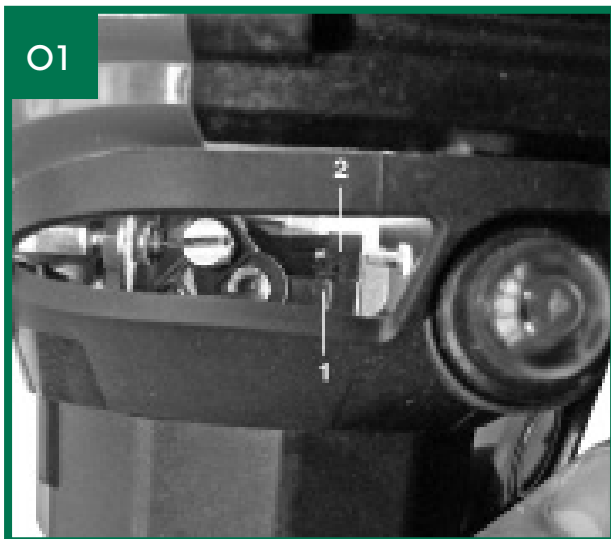












Important!

When using the equipment, safety precautions must be observed to avoid injuries and damage. Please read the complete operating instructions and safety regulations with due care. Keep this manual in a safe place, so that the information is available at all times. If you give the equipment to any other person, hand over these operating instructions and safety regulations as well.

We cannot accept any liability for damage or accidents which arise due to a failure to follow these instructions and the safety instructions.

1. Safety information

CAUTION!

Read all safety regulations and instructions.

Any errors made in following the safety regulations and instructions may result in an electric shock, fire and/or serious injury.

Keep all safety regulations and instructions in a safe place for future use.

Safety devices

When working with the blade the metal guard hood must be installed and when working with the cutting spool the plastic guard hood must also be installed to prevent objects being thrown out by the machine. The integrated blade in the plastic guard hood automatically cuts the line to the optimum length.

2. Machine description and items supplied (Fig. A – C)

1. Line Spool Assembly
2. Guard for blade with screws
3. Guard for cutting line with screws
4. Blade
5. Handle
6. Engine switch "ON/OFF" (1/0)
7. Throttle lever "release"
8. Throttle lever
9. Fastening eyelet
10. Choke (swivelling)
11. Starter cable
12. Spark plug boot
13. Air filter housing cover
14. Fuel tank
15. Housing for engine cooler and starter
16. Fuel pump "primer"
17. Carrying strap
18. Connecting piece for long handle
19. Long handle with drive shaft
20. Fuel mixture bottle
21. Spark plug wrench
22. 2-stroke oil
23. Locking bar
24. Allen Key (size 4mm)
25. Additional half-handle (LH)
26. Additional half-handle (RH)
27. LH Threaded nut
28. Drive Collar
29. Blade clamp collar
30. Cable clip

3. Proper use

The machine is designed for cutting lawns and grassed areas.

Important. Due to the high risk of bodily injury to the user, the brush cutter must not be used to carry out the following work: to clean (suck up) dirt and debris off walkways, or to chop up tree or hedge clippings. Moreover, the brush cutter may not be used to level out high areas such as molehills. For safety reasons, the brush cutter may not be used as a drive unit for other work tools or toolkits of any kind.

The machine is to be used only for its prescribed purpose. Any other use is deemed to be a case of misuse. The user / operator will be liable for any damage or injuries of any kind caused as a result of this. Please note that our equipment has not been designed for use in commercial, trade or industrial applications. Our warranty will be voided if the machine is used in commercial, trade or industrial businesses or for equivalent purposes.

4. Technical data

Engine type:	2-stroke engine, air-cooled, chrome cylinder
Engine power (max.):	0.76 kW/1.03 hp
Displacement:	29.7 cc
Idle speed of engine:	2900 rpm
Max. engine speed:	11000 rpm
Max. twin line speed:	8000 rpm
Max. blade speed:	11000rpm
Ignition:	Electronic
Drive:	Centrifugal clutch
Weight (with empty tank):	7.5 kg
Long handle length:	135 cm
Cutting circle diameter of line:	Ø 43 cm
Cutting blade diameter:	Ø 23 cm
Cutting line length:	5.0 m
Cutting line diameter:	2.0 mm
Tank capacity:	0.6 l
Spark plug:	Torch L8RTC
Vibration ahv rear handle:	9.319 m/s ²
Uncertainty of vibration level:	3.7m/s ²
L _{PA} sound pressure level:	92 dB (A)
L _{WA} sound power level:	112 dB (A)
Uncertainty sound level:	1 dB

Sound and vibration were measured in accordance with EN ISO 27917, 10884/7916.

5. Before starting the equipment

5.1 Assembly

5.1.1 Installing the additional handle

Install the additional handle (LH and RH halves) as shown in Figures D1 - D4. Do not fully tighten the screws until you have set the perfect working position with the carrying strap. The additional handle halves should be aligned as shown in Figure A.

5.1.2 Assembly of the long handle (Fig. D6 - D7)

Remove the transport guard cap from the lower long handle. Slacken the star grip screw (Fig. D6/Item A) on the connecting piece on the upper long handle (Fig. D6/Item B). Carefully slide the lower long handle (Fig. D6/Item C) into the connecting piece on the upper long handle.

When doing so, take care to ensure that the drive shafts on the insides of the long handles slide into each other (turn the spool head gently, if required) and that the lock on the lower long handle (Fig. D7/Item D) latches securely in the connecting piece.

Now retighten the star grip screw (Fig. D6/Item A). To dismantle, proceed in reverse order.

5.1.3 Fitting/Replacing the blade (Fig. E1-E4)

- Fit the Blade Guard (Fig. E1/Item 2) to the bottom of the drive unit & secure with the 3 screws.
- Fit the Drive Collar (Fig. E3/Item 28) over the splines on the drive shaft. Line up the hole in the collar with the 'u' shaped recess in the drive housing (Fig. E1 & E3). Then fit the blade (Item 4) onto the shoulder of the collar. (The blade is reversible, so either way up, is O.K).
- Fit the Blade Clamp Collar (Fig. E2/Item 29) on top of the blade, and then fit the LH Threaded nut (Fig. E2/Item 27), counter-clockwise until finger tight. Insert the locking Bar (Fig. C/Item 23) into the hole in the Drive Collar & use the Spark Plug Wrench (Fig. C/Item 21) to tighten the nut. **(Important, LH thread = rotate the part/ spanner counter-clockwise to tighten and clockwise to loosen).**
- To remove the Blade, rotate the assembly until the hole in the Drive Collar lines up with the 'u' shaped recess in the drive housing, before using the tools and proceeding in the reverse

order to remove the blade.

5.1.4 Installing the cutting line guard hood

Important: The cutting line guard hood must be fitted if you wish to work with the cutting line. The guard hood for the cutting line must be installed using the 3 screws as shown in Figures F1 - F3.

A blade (Fig. F6/ Item A) on the underside of the guard hood automatically cuts the cutting line to the optimum length. This is covered by a 'u' shaped guard (Fig. F6/Item B).

Remove the 'u' shaped guard before you start working and replace it when you have finished working.

5.1.5 Fitting / Replacing the line spool

Line up the hole in the collar with the 'u' shaped recess in the drive housing, and use the locking Bar to secure the drive shaft, whilst you fit the line spool assembly (Fig. F4/F5).

Important: Left-hand thread! Rotate the spool counter-clockwise to tighten and clockwise to loosen).

To dismantle, proceed in reverse order.

5.2 Setting the cutting height (Fig. G1-G6)

Fit the carrying strap.

Hook the machine to the carrying belt (Fig. G5). Adjust the perfect working and cutting position using the various strap adjuster on the carrying strap (Fig. G1 - G4). In order to establish the optimum length of the carrying strap, you should then make a few swinging movements without starting the engine (Fig. G6).

Please note: Always use the shoulder strap when using the machine. Attach the strap as soon as you have started the engine and the engine is running in idle mode. Switch off the engine before you take off the shoulder strap. Check the machine for the following each time before use:

- That there are no leaks in the fuel system
- That the cutting unit and all safety devices are in perfect condition
- That all screws are securely fastened

5.3 Fuel and oil

Recommended fuels

Use only a mixture of normal unleaded petrol and special 2-stroke engine oil. Mix the fuel mixture as indicated on the fuel mixing table.

Please note: Do not use a fuel mixture which has been kept for longer than 90 days.

Please note: Do not use 2-stroke oil with a recommended mixing ration of 100:1.

If inadequate lubrication causes engine damage, the manufacturer's engine warranty will be voided.

Please note: Only use containers designed and approved for the purpose to transport and store fuel. Pour the correct quantities of petrol and 2-stroke oil into the mixing bottle (Fig. C/Item 22 see scale printed on the bottle). Then shake the bottle well.

5.4 Fuel mixture table

Mixing procedure: 40 parts petrol to 1 part oil


Petrol	2-stroke oil
1 litres	25 ml
5 litres	125 ml

6. Operation

Important. A blade (Fig. F6/ Item A) on the underside of the safety guard automatically cuts the cutting line to the optimum length.

6.1 Starting the engine when cold

Fill the tank with the required amount of oil/ petrol mix. See "Fuel and oil".

1. Set the machine down on a hard, level surface.
2. Set the choke position (Fig. A/Item 10) to .
3. Press the fuel pump (primer) (Fig H/Item 16) 10 times.
4. Switch the ON/OFF switch (Fig. A/Item 6) to "I".
5. Hold the machine firmly in position with one hand.
6. With the other hand pull out the starter cable (Fig. A/Item 11) until you feel it starts to resist. Then tug sharply on the starter cable 10 times.

Important: Never allow the starter cable to snap back. This may damage the machine.

Important: The cutting tool starts to operate when the engine is started.

7. If the motor has already been started, let it warm up for about 30 seconds. As soon as you press the throttle lock (Fig. A/Item 7) and use the throttle (Fig. A/Item 8), the swivelling choke automatically jumps to Run "I" (See Fig. H2).

If the engine does not start up, repeat steps 1-7 above.

Please note: If the engine does not start up even after several attempts, read the section "Engine Troubleshooting".

Please note: Always pull the starter cable out in a straight line. If it is pulled out at an angle, then friction will occur on the eyelet. As a result of this friction, the cable will become frayed and will wear away faster.

Always hold the starter handle when the cable retracts.

Never allow the cable to snap back when it has been pulled out. This may also cause damage to the cable or the starter.

6.2 Starting the engine when warm (if the equipment has not been switched off for more than 15 – 20 minutes)

1. Set the equipment down on a hard, level surface.
2. Switch the ON/OFF switch to "I".
3. Fully depress the throttle lever (See Fig. H1).
4. Hold the equipment firmly and pull out the starter cable until you feel it start to resist. Then tug sharply on the starter cable. The equipment should start after 1 - 2 pulls. If the equipment does not start after 6 pulls, repeat steps 1 – 7 of the procedure for starting the engine from cold.

6.3 Switching off the engine

Emergency Stop procedure:

If it becomes necessary to stop the machine immediately, set the ON/OFF switch to "Stop" or "0".

Normal procedure:

Let go of the throttle lever and wait until the engine has changed to idling speed. Then set the ON/OFF switch to "Stop" or "0".

6.4 Practical tips

Practice all operating techniques with the engine switched off before you start to use the machine.

EXTENDING THE CUTTING LINE

WARNING: Do not use any kind of metal wire or metal wire encased in plastic in the cutting head. This may cause serious injuries to the user. To extend the cutting line run the motor at full speed and tap ("BUMP") the cutting head on the ground.

This will automatically extend the line. The blade on the safety shield will cut the line to the appropriate length (Fig. M1).

Caution: Remove all grass and weed remains at regular intervals to prevent the shaft tube overheating. Grass and weed remains become trapped under the safety guard (Fig. M2) and they prevent the shaft tube receiving adequate ventilation. Remove the remains carefully using a screwdriver or the like.

DIFFERENT CUTTING METHODS

If the machine is correctly assembled with the safety hood and cutting head it will cut weeds and long grass in places with difficult access, for example along fences, walls and foundations and also around trees. It can also be used for mowing work to remove vegetation to allow the better preparation of a garden or to clear a certain area down to the soil.

PLEASE NOTE: Even if it is used carefully, cutting around foundations, stone or concrete walls, etc. will result in the line suffering more than normal wear.

TRIMMING / MOWING

Swing the trimmer in a side to side motion. Always keep the cutting head parallel to the ground. Check the site and decide what cutting height you require. Guide and hold the cutting head at the required height to ensure that you cut evenly (Fig. M3).

LOWER TRIMMING

Hold the trimmer right in front of you at a slight angle so that the underside of the cutter head is above the ground and the line strikes the correct target. Always cut away from yourself. Never draw the trimmer towards yourself.

CUTTING ALONG FENCES / FOUNDATIONS

When cutting approach wire mesh fences, lath fences, natural stone walls and foundations slowly so that you can cut close to them without striking the obstacle with the line. If, for example, the line strikes stones, stone walls or foundations, it will wear or fray. If the line strikes wire fencing it will break.

TRIMMING AROUND TREES

When trimming around tree trunks, approach slowly so that the line does not strike the bark. Walk around the tree, cutting from left to right. Approach grass or weeds with the tip of the line and tilt the cutting head forwards slightly.

WARNING: Take extreme care during mowing work. When doing such work keep a distance of 30 meters between yourself and other people or animals.

SAWING

The equipment is not suitable for sawing.

JAMMING

If the blade jams as a result of attempting to cut vegetation that is too dense, switch off the motor immediately.

Remove the grass and scrub from the equipment before you restart it.

PREVENTING RECOIL

When you work with the blade there is a risk of recoil if it strikes solid objects such as tree trunks, branches, tree stumps, stones or the like. This will throw the equipment backwards in the direction opposite to the rotation of the tool. This can cause you to lose control of the equipment. Do not use the metal blade near fences, metal posts, boundary stones or foundations.

For cutting dense stalks, position it as shown in Fig. 15/Item A to prevent recoil.

MOWING

For mowing you should cut all the vegetation down to the ground. To do this, set the cutting head at an angle of 30° to the right. Place the handle in the required position. Remember the increased risk of injury to the user, watchers and animals and the danger of damaging other items due to objects (for example stones) being thrown out (Fig. M4).

WARNING: Do not remove any objects from footpaths, etc. using the trimmer.

The trimmer is a powerful tool and can throw small stones and other objects a distance of 15 meters or more, causing injuries and damage to cars, houses and windows.

7. Cleaning, maintenance, storage, transport and ordering of spare parts

7.1 Cleaning

- Keep all safety devices, air vents and the motor housing free of dirt and dust as far as possible. Wipe the equipment with a clean cloth or using compressed air at low pressure (ensure to blow it in a safe direction).
- We recommend that you clean the device immediately each time you have finished using it.
- Clean the equipment regularly with a moist cloth and some soft soap. Do not use cleaning agents or solvents; these could attack the plastic parts of the equipment. Ensure that no water can seep into the device.

7.2. Maintenance

Always switch off the machine and pull out the spark boot plug before carrying out any maintenance work.

7.2.1 Replacing the line spool / cutting line

Remove the line spool assembly from the drive shaft

1. Press the line spool housing together (Fig. N1) below the two lugs (Fig. N2/Item 1) and remove the line spool cover (Fig. N2/Item 2).
2. Take the line spool out of the line spool

housing (Fig. N3). Make sure that you do not lose the spring or the washers.

3. Remove any remaining cutting line.
 4. Place the new cutting line in the center and attach the resulting loop to the recess in the spool splitter (Fig. N4)
 5. Wind the line on to the spool counter-clockwise with tension. The spool splitter will separate the two halves of the nylon line (Fig. N5)
 6. Hook the last 15 cm of the two ends of the line to the line holders opposite the line spool (Fig. N6)
 7. Thread the two ends of the line through the metal eyelets in the line spool housing (Fig. N3).
 8. Press the line spool into the line spool housing. Ensure that the spring and washers are in the correct position (Fig. N3).
 9. Press the line spool cover on to the line spool housing. Ensure that the two lugs (Fig. N2/Item 1) in the line spool housing lock into the appropriate recesses (Fig. N2/Item 2) in the line spool cover.
 10. Pull the two line ends briefly and powerfully to release them from the line holders in the line spool.
 11. Cut the excess line to a length of around 13 cm. This will reduce the load on the engine when starting up and warming up.
 12. Fit the line spool again. See point 5.1.5.
- If you are replacing the complete line spool, ignore points 3-6.

7.2.2 Maintenance of the air filter (Fig. J1-J2)

Soiled air filters reduce the engine output by preventing the air reaching the carburettor. Regular checks are therefore essential. The air filter should be checked after every 25 hours of use and cleaned if necessary. If the air contains a lot of dust, the air filter should be checked more frequently.

1. Remove the air filter cover (Fig. J1-J2)
2. Remove the filter element.
3. Clean the filter element by tapping it or blowing it.
4. Assemble in reverse order.

Please note: Never clean the air filter with petrol or inflammable solvents. Clean the air filter with compressed air or by tapping it.

7.2.3 Maintenance of the spark plug (Fig. K1-K2)

Spark plug gap = 0,6 mm. Tighten the spark plug with a torque of 12-15 Nm.

Check the spark plug for dirt and grime after 50 hours of operation and if necessary clean it with a copper wire brush. Thereafter service the spark plug after every 50 hours of operation.

1. Pull off the spark plug boot (Fig. K1) by twisting.
2. Remove the spark plug (Fig. K2) with the supplied spark plug wrench.
3. Assemble in reverse order.

7.2.4 Grinding the safety guard blade

The safety guard blade (Fig. L/Item F) can become blunt over time. Clamp the blade in a vise. Sharpen the blade with a flat file and make sure that the angle of the cutting edge is not altered in the process. File in one direction only.

7.2.5 Carburettor settings

Important. Settings on the carburettor may only be made by an authorised petrol repair agent.

Setting the throttle cable:

If the maximum speed of the machine falls over time and you have ruled out all the other causes listed in section 9 Troubleshooting, it may be necessary to adjust the throttle cable.

First of all check whether the carburettor opens fully when the throttle lever is pressed fully. This is the case if the carburetor slide (Fig. O1/Item 1) rests against the stop (Fig. O1/Item 2) when the throttle is fully open. Figure 16 shows the correct setting. If the carburetor slide does not touch the stop, it must be adjusted.

The following work is required to adjust the throttle cable:

- Undo the lock nut (Fig. O2/Item 3) a few turns.
- Undo the adjusting screw (Fig. O2/Item 4) until the carburettor slide rests against the stop when the throttle is fully open, as shown in Figure O1.
- Retighten the lock nut.

Setting the idling speed:

Important. Set the idling speed when the machine is warm.

If the engine stalls when the throttle is not pressed and you have ruled out all the other causes listed in section 9 Troubleshooting, the idling speed must be adjusted. To do this turn the idling speed screw (Fig. O2/Item 5) clockwise until the machine runs smoothly at idling speed.

If the idling speed is so fast that the cutting tool turns as well, it has to be reduced by turning the idling speed screw counter-clockwise (Fig. O2/Item 5) for as long as is required for the cutting tool to stop turning as well.

7.3 Storage

Please note: If you fail to follow these instructions correctly, deposits may form on the interior of the carburetor which may result in the engine being more difficult to start or the machine suffering permanent damage.

1. Carry out all of the maintenance work.

2. Drain the fuel out of the tank (You can use a plastic petrol pump for this purpose, which can be bought via our HELPLINE 0151 649 1500).
3. When the fuel has been drained, start the engine.
4. Allow the engine to run at idling speed until it stops. This will clean the remainder of the fuel out of the carburetor.
5. Leave the machine to cool (approx. 5 minutes).
6. Remove the spark plug.
7. Place a teaspoon full of 2-stroke engine oil into the combustion chamber. Pull the starter cable several times carefully to wet the internal components with the oil. Fit the spark plug again.
8. Clean the exterior housing of the machine.
9. Store the machine in a cold, dry place where it is out of the reach of ignition sources and inflammable substances.

Fertilizers and other chemical garden products often contain substances that accelerate the rate of corrosion of metals. Do not store the machine on or near fertilizers or other chemicals.

Restarting

1. Remove the spark plug.
2. Pull the starter cable several times to clean the oil residue out of the combustion chamber.
3. Clean the spark plug contacts or fit a new spark plug.
4. Fill the tank. See the section entitled Fuel and oil.
5. Complete steps 1-7 described under the point entitled "Starting the engine from cold".

7.4 Transport

To transport the machine, first empty the petrol tank as described in section 2 in the section entitled "Storage". Clean coarse dirt off the machine with a brush or hand brush. Dismantle the long handle as described 5.1.1

7.5 Ordering replacement parts

Please quote the following data when ordering replacement parts:


- Type of model/Machine (HQ-BC30)
- Article number of the machine (34.018.80)
- Identification number of the machine (11010)
- Replacement part number of the part required

For our latest prices and information please go to www.einhell-uk.co.uk

8. Disposal and recycling

The unit is supplied in packaging to prevent its being damaged in transit. This packaging is raw material and can therefore be reused or can be returned to the raw material system. The unit and its accessories are made of various types of material, such as metal and plastic. Defective components must be disposed of as special waste. Ask your dealer or your local council.

9. Troubleshooting

FAULT	POSSIBLE CAUSES	TROUBLESHOOTING
The machine does not start.	<ul style="list-style-type: none"> - Correct starting procedure not followed. - Sooted or damp spark plug. - Incorrect carburettor setting. 	<ul style="list-style-type: none"> - Follow the instructions for starting. - Clean the spark plug or replace it with a new one. - Contact Helpline: 0151 649 1500
The machine starts but does not develop its full output.	<ul style="list-style-type: none"> - Incorrect choke lever setting. - Soiled air filter. - Incorrect carburettor setting. 	<ul style="list-style-type: none"> - Set choke lever to  III - Clean the air filter. - Contact Helpline: 0151 649 1500
The engine does not run smoothly	<ul style="list-style-type: none"> - Incorrect electrode gap on the spark plug. - Incorrect carburettor setting. 	<ul style="list-style-type: none"> - Clean the spark plug and adjust the electrode gap or fit a new spark plug. - Contact Helpline: 0151 649 1500
Engine smokes excessively	<ul style="list-style-type: none"> - Incorrect fuel mix. - Incorrect carburettor setting. 	<ul style="list-style-type: none"> - Use the correct fuel mix (see fuel mixing table). - Contact Helpline: 0151 649 1500

Please adhere to the following maintenance periods in order to ensure a failure-free operation.
Important! Fill in engine oil and fuel before starting up the engine for the first time.

(2-STROKE)	Before each use	After an operating period of 20 hours	After an operating period of 50 hours	After an operating period of 100 hours	After an operating period of 300 hours
Check the air filter	X				Change the filter element if necessary
Clean the air filter			X		
Clean the petrol filter				X	
Visual inspection of the unit	X				
Clean the spark plug			Distance: 0.6mm, Replace if necessary		
Check and readjust the carburetor's throttle valve					X*
Clean the cylinder head					X*
Set the valve clearance					X*

Important: The positions marked with "X" should only be carried out by a repair agent.



Declaration of Conformity

- | | |
|--|---|
| <p>DE erklärt folgende Konformität gemäß EU-Richtlinie und Normen für Artikel</p> <p>GB explains the following conformity according to EU directives and norms for the following product</p> <p>F déclare la conformité suivante selon la directive CE et les normes concernant l'article</p> <p>I dichiara la seguente conformità secondo la direttiva UE e le norme per l'articolo</p> <p>NL verklaart de volgende overeenstemming conform EU richtlijn en normen voor het product</p> <p>E declara la siguiente conformidad a tenor de la directiva y normas de la UE para el artículo</p> <p>P declara a seguinte conformidade, de acordo com a directiva CE e normas para o artigo</p> <p>DK attesterer følgende overensstemmelse i medfør af EU-direktiv samt standarder for artikel</p> <p>S förklarar följande överensstämmelse enl. EU-direktiv och standarder för artikeln</p> <p>FIN vakuuttaa, että tuote täyttää EU-direktiivin ja standardien vaatimukset</p> <p>EE tõendab toote vastavust EL direktiivile ja standarditele</p> <p>CZ vydává následující prohlášení o shodě podle směrnice EU a norem pro výrobek</p> <p>SK potvrdzuje splnenie skladnosti s smernico EU in standardi za izdelek</p> <p>PL wydawa następujące oświadczenie o zgodności z dyrektywami UE i normami dla produktu</p> <p>H a cikkekhez az EU-irányvonal és Normák szerint a következő konformitást jelenti ki</p> | <p>PL deklaruje zgodność wymienionego poniżej artykułu z następującymi normami na podstawie dyrektywy WE.</p> <p>BG декларира съответното съответствие съгласно Директива на ЕС и норми за артикул</p> <p>LV paskaidro šādu atbilstību ES direktīvai un standartiem</p> <p>LT apibūdina šį atitikimą EU reikalavimams ir prekės normoms</p> <p>RO declară următoarea conformitate conform directivei UE și normelor pentru articolul</p> <p>GR δηλώνει την ακόλουθη συμμόρφωση σύμφωνα με την Οδηγία ΕΚ και τα πρότυπα για το προϊόν</p> <p>HR potvrđuje sljedeću usklađenost prema smjernicama EU i normama za artikl</p> <p>SI potrjuje sljedeću usklađenost prema smjernicama EU i normama za artikl</p> <p>RS potvrđuje sledeću usklađenost prema smernicama EZ i normama za artikal</p> <p>RU следующим удостоверяется, что следующие продукты соответствуют директивам и нормам ЕС</p> <p>UKR проголошує про зазначену нижче відповідність виробу директивам та стандартам ЄС на виріб</p> <p>MAC ja izjavuva slednata soobraznost согласно EU-direktivata i normite za artikli</p> <p>TR Ürünü ile ilgili AB direktifleri ve normları gereğince aşağıda açıklanan uygunluğu belirtir</p> <p>N erklærer følgende samsvar i henhold til EU-direktivet og standarder for artikkel</p> <p>IS Lýsir uppfyllingu EU-reglna og annarra staðla vöru</p> |
|--|---|

Petrol Brushcutter HQ-BC 30 (Qualcast)

- | | |
|---|---|
| <input type="checkbox"/> 2009/105/EC | <input checked="" type="checkbox"/> 2006/42/EC |
| <input type="checkbox"/> 2006/95/EC | <input type="checkbox"/> Annex IV |
| <input type="checkbox"/> 2006/28/EC | Notified Body: |
| <input type="checkbox"/> 2005/32/EC | Notified Body No.: |
| <input checked="" type="checkbox"/> 2004/108/EC | Reg. No.: |
| <input type="checkbox"/> 2004/22/EC | <input checked="" type="checkbox"/> 2000/14/EC_2005/88/EC |
| <input type="checkbox"/> 1999/5/EC | <input checked="" type="checkbox"/> Annex V |
| <input type="checkbox"/> 97/23/EC | <input type="checkbox"/> Annex VI |
| <input type="checkbox"/> 90/396/EC | Noise: measured L _{WA} = 112 dB (A); guaranteed L _{WA} = 113 dB (A) |
| <input type="checkbox"/> 89/686/EC_96/58/EC | P = 0,76 kW; L/Ø = 0.2 cm |
| | Notified Body: |
| | <input checked="" type="checkbox"/> 2004/26/EC |
| | Emission No.: e11*97/68SA*2004/26*0966*00 |

Standard references: EN ISO 11806; EN ISO 14982

Landau/Isar, den 01.07.2010

Weichselgartner/General Manager

Frank/Product-Management

First CE: 10
Art.-No.: 34.018.80 I.-No.: 11010
Subject to change without notice

Archive-File/Record: 3401880-12-4141750-10
Documents registrar: Mayn Robert
Wiesenweg 22, D-94405 Landau/Isar

The reprinting or reproduction by any other means, in whole or in part, of documentation and papers accompanying products is permitted only with the express consent of ISC GmbH.

PRODUCT GUARANTEE

This product is guaranteed against manufacturing defects for a period of



This product is guaranteed for twenty four months from the date of original purchase. Any defects that arises due to faulty materials or workmanship will either be replaced, refunded or repaired free of charge where possible during this period by the dealer from whom you purchased the unit.

The guarantee is subject to the following provisions:

- The guarantee does not cover accidental damage, misuse, cabinet parts, knobs or consumable items.
- The product must be correctly installed and operated in accordance with the instructions contained in this manual.
- It must be used solely for domestic purpose.
- The guarantee will be rendered invalidated if the product is re-sold or has been damaged by inexpert repair.
- Specifications are subject to change without notice.
- The manufacture disclaims any liability for the incidental or consequential damages.
- The guarantee is in addition to, and does not diminish your statutory or legal rights.

Guarantor: Home Retail Group
AVEBURY MILTON KEYNES, MK9 2NW

For technical support and assistance or requests for spare parts and accessories please contact 0151 649 1500 between the following hours:
Mon - Thursday 8.45am - 5.00pm Friday 8.45am - 3.15pm

Helpline No. UK 0151 649 1500 / IRE 189 094 6244

Notes

-

Notes

Notes



QUALCAST

AFTER SALES SUPPORT

UK / IRELAND HELPLINE NO 0151 6491500
REP. IRELAND HELPLINE NO 1890 946244
WEB SUPPORT www.einhell-uk.co.uk

MODEL NUMBER: HQ-BC30
HOMEBASE ARTICLE NUMBER: 351571