

PARKSIDE

PESG 120 A1



ARC WELDER
Operation and Safety Notes
Original operating instructions

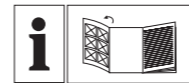
ELSVETS
Bruksanvisning och säkerhetsanvisningar
Original-bruksanvisning

ELEKTRISK SVEJSEAPPARAT
Brugs- og sikkerhedsanvisninger
Original betjeningsvejledning

ELEKTRO-SCHWEISSGERÄT
Bedienungs- und Sicherheitshinweise
Originalbetriebsanleitung

SE DK

SE DK



GB IE

Before reading, unfold the page containing the illustrations and familiarise yourself with all functions of the device.

SE

Vik ut bildsidan och ha den till hands när du läser igenom anvisningarna och gör dig bekant med apparatens / maskinens funktioner.

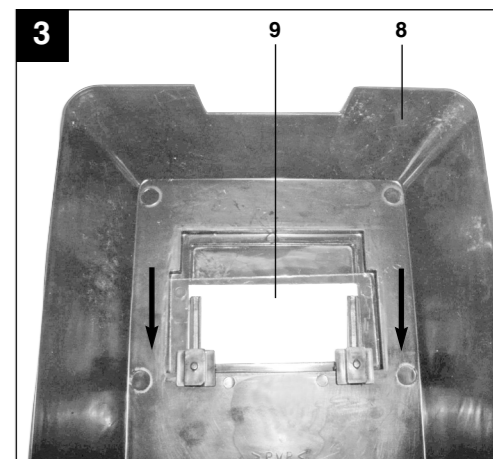
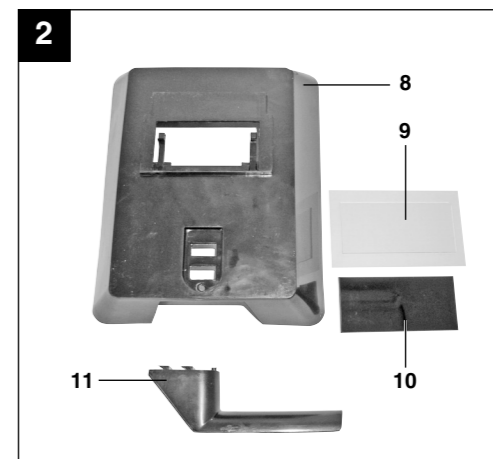
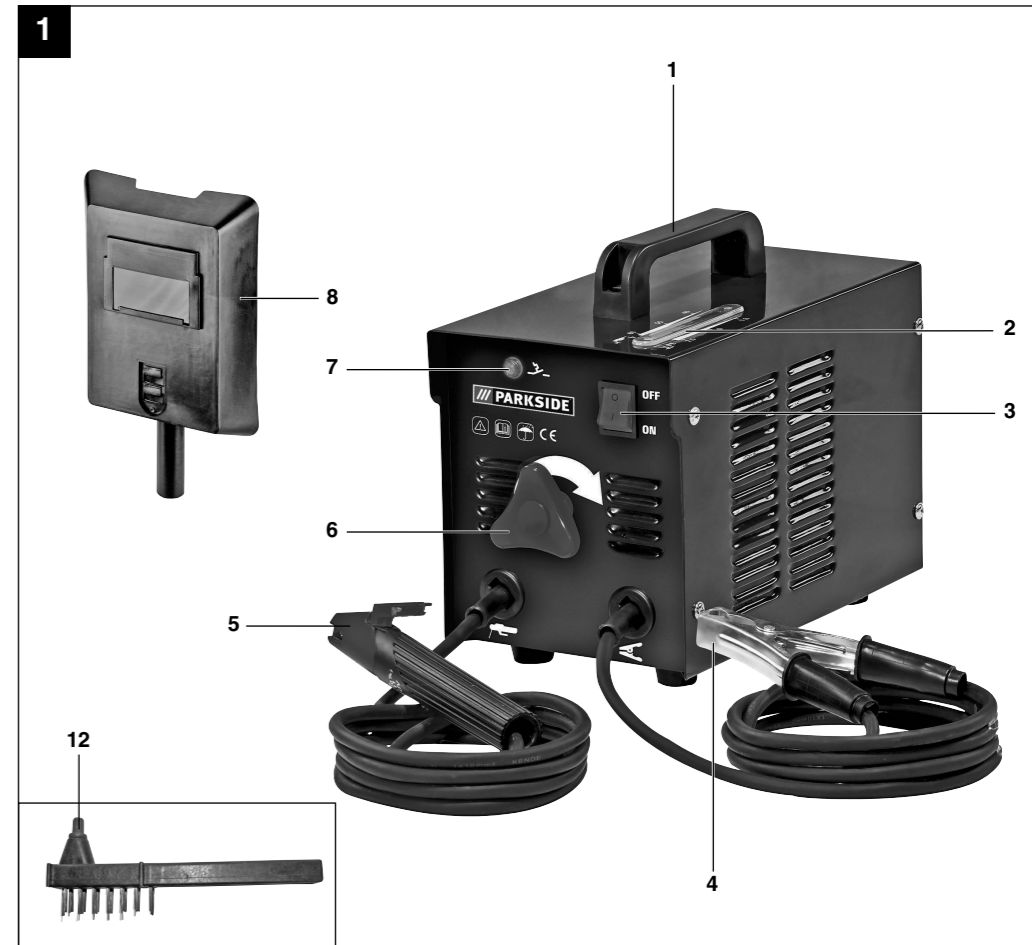
DK

Før du læser, vend siden med billeder frem og bliv bekendt med alle apparatets funktioner.

DE AT CH

Klappen Sie vor dem Lesen die Seite mit den Abbildungen aus und machen Sie sich anschließend mit allen Funktionen des Gerätes vertraut.

GB/IE	Operation and Safety Notes	Page	5
SE	Bruksanvisning och säkerhetsanvisningar	Sidan	15
DK	Brugs- og sikkerhedsanvisninger	Side	25
DE/AT/CH	Bedienungs- und Sicherheitshinweise	Seite	35



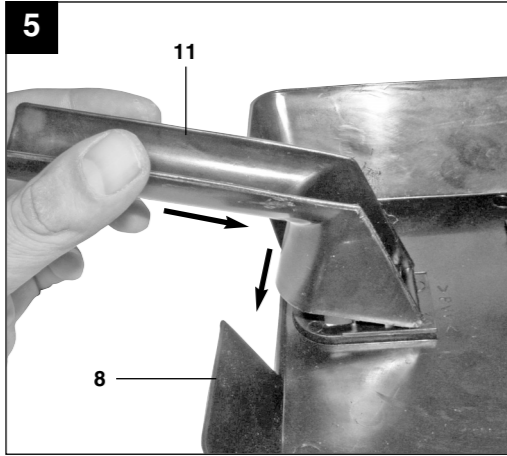
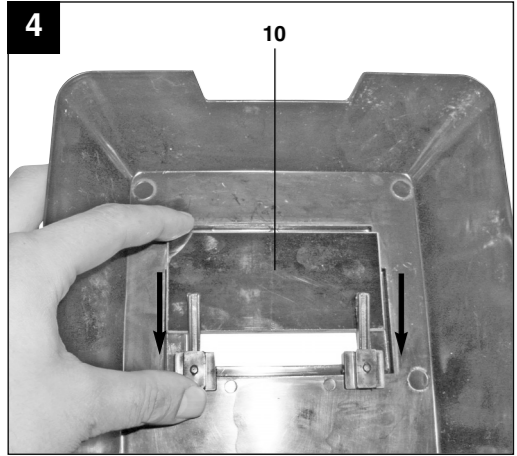


Table of contents:	Page
1. Introduction	6
2. Layout and items supplied	6
3. Important information	6-9
4. Symbols and technical data	9
5. Assembling the welding screen	10
6. Welding preparations	10
7. Welding	10
8. Overheating guard	10
9. Transport	10
10. Maintenance	11
11. Ordering spare parts	11
12. Disposal and recycling	11
13. Circuit diagram	12
14. Declaration of conformity	13
15. Guarantee certificate	14



Read and follow the operating instructions and safety information before using for the first time.

The reprinting or reproduction by any other means, in whole or in part, of documentation and papers accompanying products is permitted only with the express consent of ISC GmbH.

Technical changes subject to change



GB/
IE

GB/
IE

1. Introduction

⚠ Important!

When using the equipment, a few safety precautions must be observed to avoid injuries and damage. Please read the complete operating manual with due care. Keep this manual in a safe place so that the information is available at all times. If you give the equipment to any other person, give them these operating instructions as well. We cannot accept any liability for damage or accidents which arise due to a failure to follow these instructions and the safety information.

2. Layout and items supplied (Fig. 1/2)

1. Carry handle
2. Welding current scale
3. ON/OFF switch
4. Earth terminal
5. Electrode holder
6. Adjustment wheel for welding current
7. Warning lamp for overheating
8. Welding screen
9. Safety glass
10. Welding glass
11. Welding screen holder
12. Wire brush / slag hammer

3. Important information

The equipment is to be used only for its prescribed purpose. Any other use is deemed to be a case of misuse. The user / operator and not the manufacturer will be liable for any damage or injuries of any kind caused as a result of this.

Please note that our equipment has not been designed for use in commercial, trade or industrial applications. Our warranty will be voided if the equipment is used in commercial, trade or industrial businesses or for equivalent purposes.

Please read the operating instructions carefully and observe the information provided. It is important to consult these instructions in order to acquaint yourself with the equipment, its proper use and safety information.

⚠ Safety information

Please note

Warning!

Use this equipment only for the purpose for which it is designed, as described in these instructions: Manual arc welding with coated electrodes. Handling this system incorrectly may be hazardous for persons, animals and property and may result in burning buildings, electric shocks, eye injuries, etc. The user of this system is responsible for his/her own safety and for the safety of others. Read these operating instructions and follow all the information.

- Repairs and/or maintenance work must be left strictly to qualified personnel.
- Only use the welding cables supplied (H07RN-F 3x1.5 mm² / H01N2-D 1x10 mm²).
- Ensure that the equipment is looked after properly.
- To ensure that sufficient air can be drawn in through the ventilation slits, the equipment should not be constricted or placed next to a wall while it is operating. Make sure that the equipment is correctly connected to the mains supply (see 4.). Do not subject the mains lead to any tensile stress. Unplug the equipment before you change its position.
- Check the condition of the welding cables, the electrode holder and the earth terminals; wear on the insulation and the live parts may result in dangerous conditions and reduce the quality of the welding work.
- Arc welding generates sparks, molten metal particles and smoke, so the following is required: Remove all inflammable substances and/or materials from the working area.
- Ensure that there is adequate ventilation.
- Do not weld on tanks, vessels or pipes that have contained inflammable liquids or