

Einhell®

Original operating instructions
Electric chainsaw

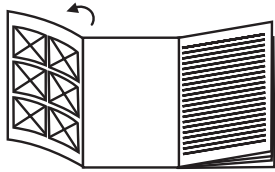
GB

7

Art.-Nr.: 45.012.01

I.-Nr.: 11012

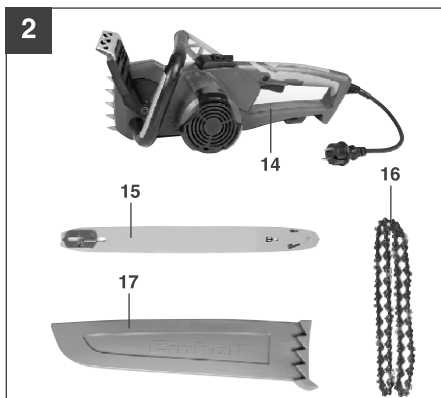
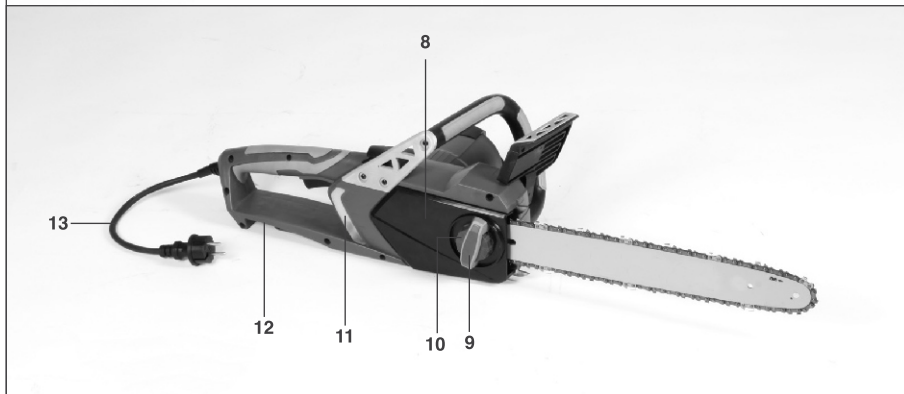
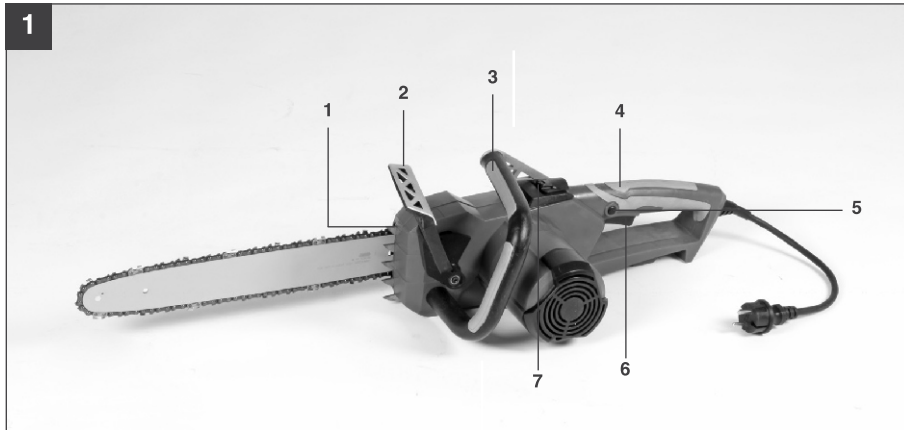
RG-EC **2240 MG**

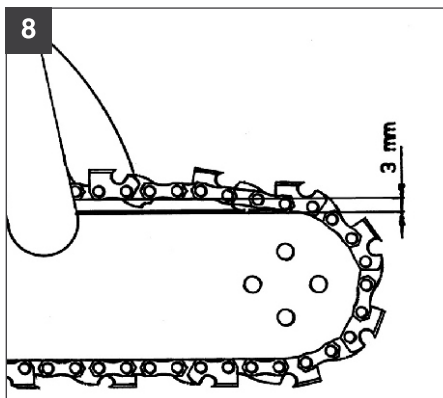
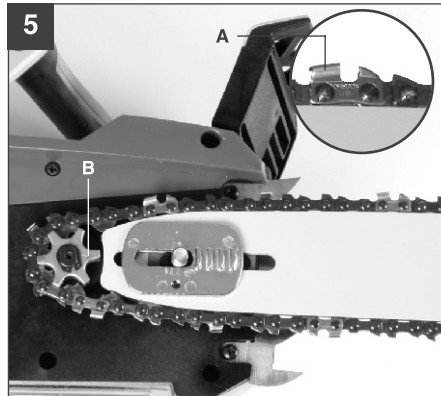


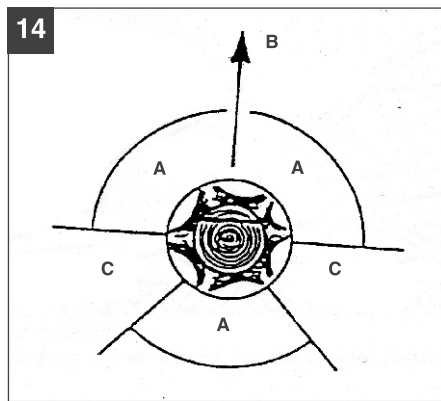
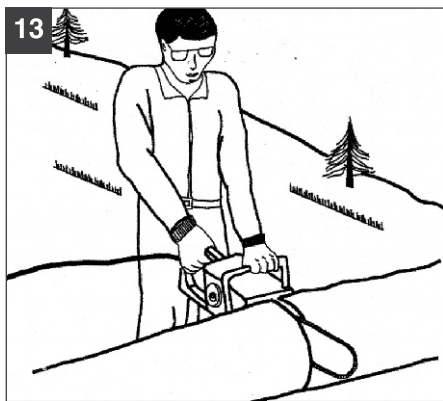
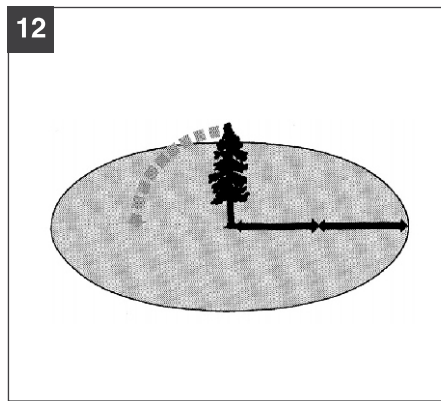
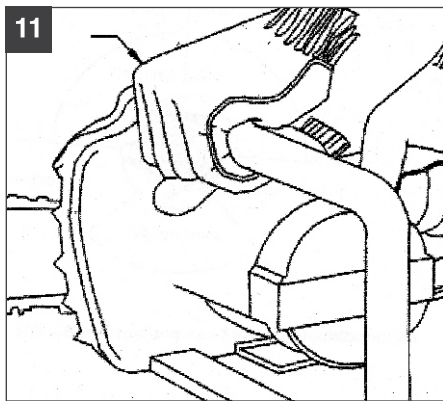
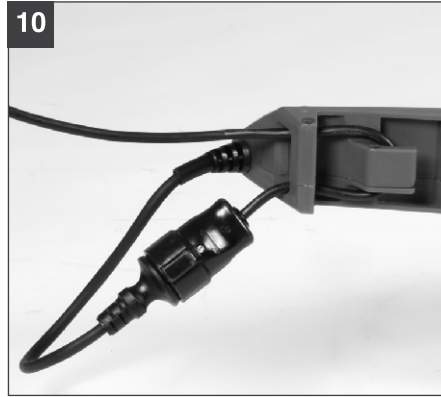
Ⓢ Please fold out page 2 - 5

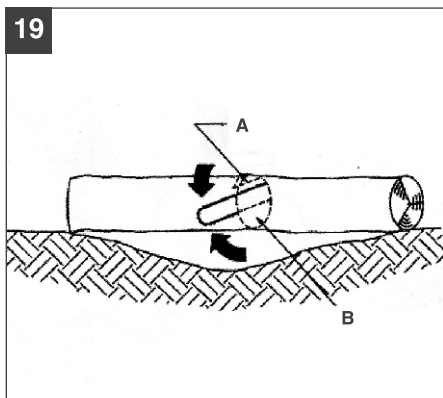
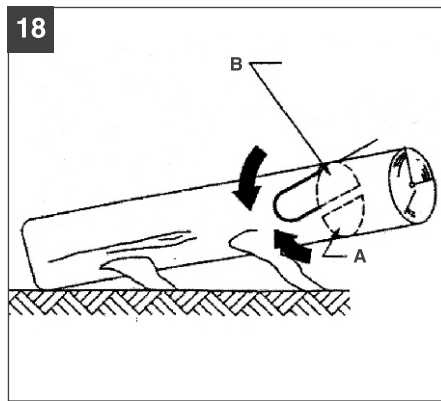
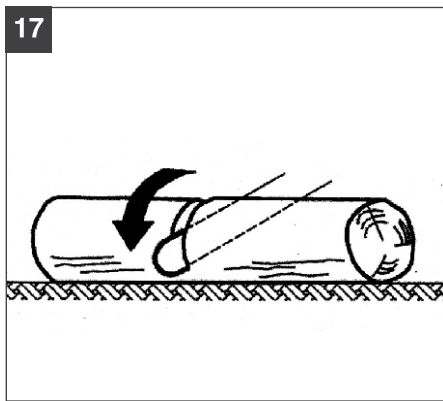
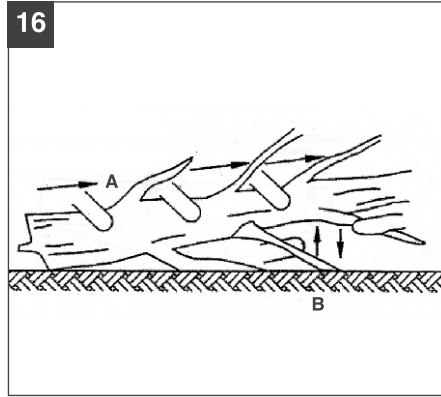
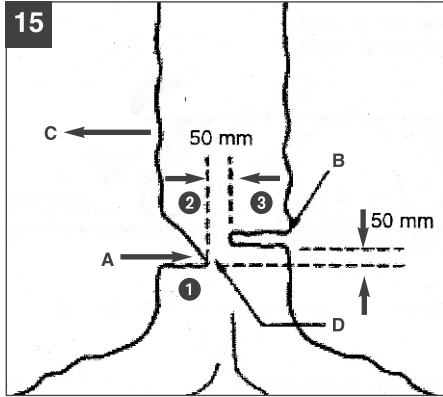


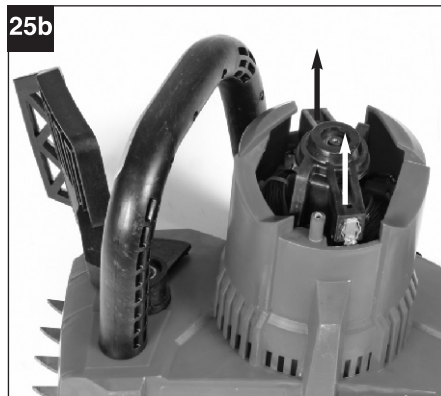
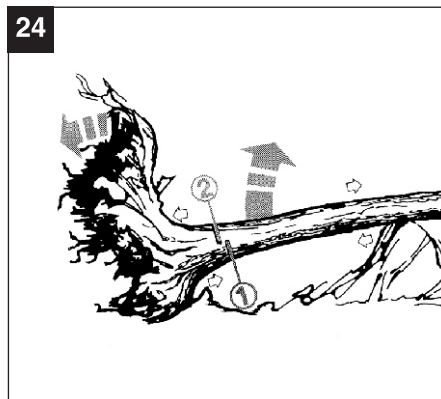
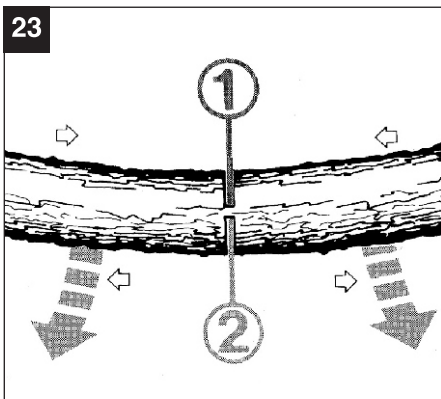
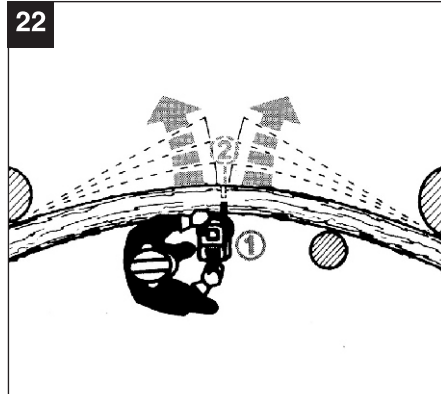
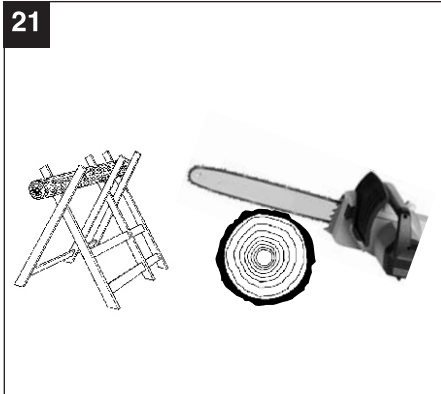
Ⓢ Read and follow the operating instructions and safety information before using for the first time.











GB

Table of contents

1. General safety regulations
2. Layout and items supplied
3. Proper use
4. Installation
5. Operation
6. Working with the chainsaw
7. Technical data
8. Maintenance
9. Cleaning and storing
10. Notes on environmental protection / disposal
11. Ordering spare parts
12. Troubleshooting

Packaging

The unit is supplied in packaging to prevent it from being damaged in transit. The raw materials in this packaging can be reused or recycled.

When using the equipment, a few safety precautions must be observed to avoid injuries and damage.

- Read the operating instructions carefully and comply with them at all times. It is important to consult these instructions in order to acquaint yourself with the unit, its proper use and the important safety regulations.
- Keep this manual in a safe place, so that the information is available at all times.
- If you give the equipment to any other person, make sure that you pass on these operating instructions as well.

We can accept no liability for damage or accidents which arise due to non-compliance with these instructions.

1. General safety regulations

The corresponding safety information can be found in the enclosed booklet.

⚠ CAUTION!

Read all safety regulations and instructions.

Any errors made in following the safety regulations and instructions may result in an electric shock, fire and/or serious injury.

Keep all safety regulations and instructions in a safe place for future use.

2. Layout and items supplied (see Fig. 1-2)

1. Claw stop
2. Front hand guard
3. Front handle
4. Rear handle
5. Safety lock-off
6. ON/OFF switch
7. Oil tank cover
8. Chain wheel cover
9. Fixing screw for the chain wheel cover
10. Chain tensioning screw
11. Chain oil fill level indicator
12. Cable strain-relief clamp
13. Power cable
14. Rear hand guard

15. Cutter rail
16. Saw chain
17. Cutter guard

3. Proper use

The chainsaw is intended for felling trees and for cutting trunks, branches, wooden beams, boards etc. and can be used for cross cuts and longitudinal cuts. It is not suitable for cutting any materials other than wood.

Please note that our devices have not been designed for use in commercial, trade or industrial applications. Consequently, the guarantee will be invalidated if the equipment is used in commercial, trade or industrial applications or for other equivalent activities.

4. Assembly

Caution: Do not connect the chainsaw to the power supply until it has been fully assembled and the chain tension has been adjusted. Always wear protective gloves when working on the chainsaw to protect yourself against injury.

4.1 Assembly of the cutter rail and the saw chain

- Carefully unpack all parts and check that they are complete (Fig. 2).
- Undo the fixing screw of the chain wheel cover (Fig. 3).
- Take off the chain wheel (Fig. 4).
- Lay the chain as shown in the groove which runs around the cutter rail (Fig. 5/Item A).
- Insert the cutter rail and chain as shown in the mounting in the chainsaw (Fig. 5). At the same time guide the chain around the chain wheel (Fig. 5/ Item B).
- Attach the chain wheel cover and secure it with the fixing screw (Fig. 6).

Caution: Do not fully tighten the fixing screw until after adjusting the chain tension (refer to point 4.2).

4.2 Tensioning the saw chain

Caution: Always disconnect the mains plug before performing any checks or adjustments. Always wear protective gloves when working on the chainsaw to protect yourself against injury.

- Undo the fixing screw of the chain wheel cover a few turns (Fig. 3).
- Adjust the chain tension with the chain tensioning screw (Fig. 7). Turning the screw clockwise increases the tension, turning it counter-

GB

clockwise decreases the chain tension. The saw chain is correctly tensioned if it can be lifted around 3-4 mm in the middle of the cutter rail (Fig. 8).

- Tighten the fixing screw of the chain wheel cover .
Caution: All of the chain links must lie properly in the guide groove of the cutter rail.

Notes on tensioning the chain:

The saw chain must be properly tensioned to ensure safe operation. You can tell that the chain tension is perfect if the saw chain can be lifted by around 3-4 mm in the middle of the cutter rail. As the saw chain heats up during cutting and thus changes in length, please check the chain tension every 10 minutes and adjust it again as required. This applies in particular to new saw chains. When you have finished working slacken the chain again, as the chain will shorten when it cools down. This will prevent the chain from being damaged.

4.3 Saw chain lubrication

Caution: Always disconnect the mains plug before performing any checks or adjustments. Always wear protective gloves when working on the chainsaw to protect yourself against injury.

Caution: Never operate the chain if it is not lubricated with saw chain oil. Use of the chainsaw without saw chain oil or if the oil level is below the "min" mark (Fig. 1/ Item 11) will damage the chainsaw.

Caution: Be aware of the temperature conditions: different lubricants with completely different viscosities are required at different ambient temperatures. At lower temperatures you will need low viscosity oils in order to achieve a sufficient lubricating film. However, if the same low viscosity oil is used during the summer it will become even thinner due to the ambient temperatures alone, and as a result the lubricating film could break down, causing the chain to overheat and become damaged. In addition, the chain oil would burn and produce unnecessary pollutants.

Filling the oil tank:

- Place the chainsaw on a flat surface.
- Clean the area around the oil tank cover (Fig. 9a/Item 7) and then clean the oil tank cover (Fig. 9a+9b).
- Fill the tank with saw chain oil. In the process, make sure that no dirt enters the tank, as this could cause the oil nozzle to become blocked.
- Close the oil tank cover.

5. Operation

5.1 Connecting to the mains supply

- Connect the power cable to a suitable extension cable. Make sure that the extension cable is designed for the power rating of the chainsaw.
- Secure the extension cable as shown in Fig. 10 to protect it against pulling forces and accidental disconnection.
- Connect the extension cable to a professionally installed safety mains outlet with ground contact.

We recommend using a cable with a bright and highly visible color, e.g. red or yellow. This will reduce the risk of accidentally damaging it with the chainsaw.

5.2 Switching on/off

Switching on

- Hold the chainsaw by the handles with both hands as shown in Fig. 11 (thumbs under the handles).
- Press and hold the safety lock-off (Fig. 1/Item 5).
- Switch on the chainsaw at the ON/OFF switch (Fig. 1/Item 6). You can then release the safety lock-off.

Switching off

Release the ON/OFF switch (Fig. 1/Item 6).

The integrated brake will bring the running chainsaw to a standstill within a very short space of time. Always disconnect the mains plug when you stop working, even if it is only for a short time.

Caution: Always carry the saw by the front handle. If the saw is plugged in and you carry it by the rear handle (which is where the switches are located), then there is a risk that you could accidentally press the safety lock-off and the ON/OFF switch at the same time, and the chainsaw could inadvertently start up.

5.3 Safety devices – motor brake

The motor brakes the saw chain as soon as the ON/OFF switch (Fig. 1/Item 6) is released or the power supply is interrupted. This significantly reduces the risk of injury that would otherwise be present if the chain continued to run after being switched off or disconnected.

Chain brake

The chain brake is a safety mechanism which is triggered via the front hand guard (Fig. 1/Item 2). If kickback causes the chainsaw to suddenly jerk back then the chain brake trips and stops the saw chain in less than 0.12 seconds. You must check the

operation of the chain brake on a regular basis. To do this, fold the hand guard (Fig. 1/Item 2) forward and briefly switch the chainsaw on. The saw chain must not start up.

Pull back the front hand guard (Fig. 1/Item 2) until it engages to release the chain brake.

Caution: Never use the saw if the safety equipment is not working properly. Never try to repair safety related protection systems yourself – always have any work done by our service department or by a similarly qualified workshop.

Hand guard

The front hand guard (which also acts as the chain brake at the same time) (Fig. 1/Item 2) and the rear hand guard (Fig. 2/ Item 14) protect against finger injuries resulting from contact with the saw chain if the chain breaks because it is overloaded.

6. Working with the chainsaw

6.1 Preparations

To ensure that you can work safely, check the following points before every use:

Condition of the chain saw

Inspect the chainsaw before the start of work for damage to the housing, the power cable, the saw chain and the cutter rail. Never use a chainsaw which is obviously damaged.

Oil container

Fill level of the oil container. Even while working, keep checking that sufficient oil is in the system. To avoid damaging the chainsaw, never run the saw if there is no oil in the system or if the oil drops below the “min” mark (Fig. 1/Item 11).

On average, a single filling will last around 15 minutes depending on the number of pauses in cutting and the loads involved.

Saw chain

Tension of the saw chain, condition of the cutting elements. The sharper the chainsaw, the easier and more controllable it is to operate the chainsaw. The same also applies to the chain tension. Again, while working also check the chain tension every 10 minutes in order to increase your safety. New saw chains in particular often tend to expand more.

Chain brake

Check the operation of the chain brake as described in the chapter “Safety devices” and then release it.

Safety clothing

Always wear appropriate tight-fitting safety clothing like special trousers which protect against cuts, protective gloves and safety shoes.

Hearing protection and protective goggles.

When felling trees or performing forest work, always wear a protective helmet with integral face and hearing protection. This will offer protection against falling branches and any branches if they spring back.

6.2 Description of the correct procedures for basic use of the chainsaw

Felling a tree (Figs. 12-15)

If two or more persons are working at the same time on felling and cutting back then the minimum distance between the tree being felled and the tree being cut back should be at least twice the height of the tree being felled (Fig. 12). When felling trees, care must be taken to ensure that no other persons are endangered, no power supply lines are hit and no material damage is caused to equipment or property. In the event that a tree comes into contact with a power supply line, the responsible power supply company should be informed immediately.

When working with the saw on a slope, the operator of the chainsaw must be standing at a higher point on the slope than the tree being felled, as the tree will roll or slip downhill once it has been felled (Fig. 13). Before felling the tree you must first plan and if necessary clear an escape route. This escape route must lead away diagonally in the opposite direction to the expected fall direction – this can be seen in Fig. 14 (A= danger zone, B= direction of fall, C= escape zone).

Before felling the tree you must take into account the natural inclination of the tree, the location of larger branches and the wind direction, as this will help you to correctly determine the direction in which the tree will fall.

Dirt, stones, loose bark, nails, staples and wire must be removed from the tree.

Making the felling notch (Fig. 15)

Cut a notch (A) at right angles to the fall direction to a depth of 1/3 of the tree diameter as shown in Fig. 15. First make the lower horizontal felling notch (1). This prevents the saw chain or the guide rail from becoming trapped when the second felling notch is made.

GB

Making the felling cut (Fig. 15)

The felling cut should be positioned at least 50 mm above the horizontal felling notch. Make the felling cut (B) parallel to the horizontal felling notch. The felling cut should be cut to a depth which leaves a thin strip (felling hinge strip) (D) which can act as a hinge. This strip prevents the tree from rotating and falling in the wrong direction. Do not cut through the strip. When the felling cut gets close to the strip the tree should start to fall. If it becomes clear that the tree may well fall in a different direction to the desired fall direction (C) or it starts to lean back and traps the saw chain, interrupt the felling cut and insert wedges made of wood, plastic or aluminum to open out the cut and control the lean of the tree until it leans in the required direction.

When the tree starts to fall, remove the chainsaw from the cut, switch it off, place it on the ground and exit the danger zone via the planned escape route. Watch out for falling branches and take care not to trip.

Removing branches

Here we are talking about removing branches from the felled tree. When removing branches, leave any downward facing branches which are supporting the tree until the trunk of the tree has been cut up. Smaller branches should be removed as shown in Fig. 16 (A= cutting direction when removing branches, B= keep away from the ground! Supporting branches should be left until the trunk is cut up) in a single cut from the bottom to the top. Any branches which are under tension should be cut from the bottom to the top to prevent the saw from becoming trapped.

Cutting the tree trunk into lengths

Here we are looking at the process of cutting the felled tree into sections. Make sure you have a sure footing and distribute your body weight evenly onto both feet. If possible the trunk should be underlaid and supported with branches, beams or wedges. For easy cutting follow the simple instructions below. If the full length of the tree trunk is evenly supported as shown in Fig. 17 then proceed by cutting from the top down. Take care not to cut into the ground in the process.

If the weight of the tree trunk is resting on one end as shown in Fig. 18, first cut through 1/3 of the trunk diameter from the underside (A) in order to prevent it from splintering. Make the second cut from the top (2/3 of the diameter) to the height of the first cut (B) (this prevents the chainsaw from being trapped).

If the weight of the tree trunk is resting on both ends as shown in Fig. 19, first cut through 1/3 of the trunk diameter from the top (A) in order to prevent it from splintering. Make the second cut from underneath (2/3 of the diameter) to the height of the first cut (B) (this prevents the chainsaw from being trapped).

When working with the saw on a slope, always position yourself at a higher point on the slope above the tree as shown in Fig. 13. In order to retain full control at the moment when the cut goes through, reduce pressure towards the end of the cut without releasing your firm grip on the handles of the chainsaw. Take care to ensure that the chainsaw does not touch the ground.

After completing the cut, wait for the chain saw to come to a standstill before removing the chainsaw. Always switch off the motor of the chainsaw before moving from tree to tree.

6.3 Kickback

The term "kickback" describes what happens when the running chainsaw suddenly kicks upward and backward. Usually, this is caused by contact between the tip of the cutter rail and the workpiece or the saw chain becoming trapped.

In the event of kickback, large forces occur suddenly and violently. As a result, the chainsaw usually reacts uncontrollably. This can often result in very serious injuries to the worker or persons in the vicinity. The risk of kickback is particularly great when performing cross cuts, angled cuts and longitudinal cuts, as it is not possible to use the claw stop on these cuts. You should therefore avoid these cuts as far as possible and take particular care when they are unavoidable.

The risk of kickback is at its greatest when the saw is positioned for a cut in the region of the tip of the cutter rail, as the leverage effect is greatest there (Fig. 20). It is therefore safest to position the saw flat and as close as possible to the claw stop before making the cut (Fig. 21).

Caution:

- Make sure that the chain tension is always correctly adjusted.
- Only use a chainsaw if it is in perfect working order.
- Only work with a saw chain that has been properly sharpened in accordance with the instructions.
- Never operate the saw above shoulder height.
- Never cut with the upper edge or the tip of the sword.
- Always hold the chainsaw firmly with both hands.

- Whenever possible, use the claw stop as a leverage point.

Cutting wood which is under tension

Special care is required when cutting wood which is under tension. Wood which is under tension from which it is released by cutting may in some cases react completely unpredictably and uncontrollably. In the worst case this could result in extremely severe or even fatal injuries (Fig. 22-24). This type of work must only be performed by persons who have been specially trained.

7. Technical data

Mains voltage:	230 V ~ 50 Hz
Power rating:	2200 W
Idling speed:	7500 min ⁻¹
Blade length:	400 mm
Cutting length, max.:	375 mm
Cutting speed at rated rpm:	16 m/s
Oil tank capacity:	200 ml
Weight with cutter rail and chain:	5.3 kg
Protection class:	II / □

Sound and vibration

Sound and vibration values were measured in accordance with EN 60745.

L _{pA} sound pressure level	94,4 dB(A)
K _{pA} uncertainty	3 dB
L _{WA} sound power level	107 dB(A)

Wear ear-muffs.

The impact of noise can cause damage to hearing.

Total vibration values (vector sum of three directions) determined in accordance with EN 60745.

Front Handle under load

Vibration emission value a_h = 5.343 m/s²
K uncertainty = 1.5 m/s²

Rear Handle under load

Vibration emission value a_h = 4.942 m/s²
K uncertainty = 1.5 m/s²

Additional information for electric power tools

Warning!

The specified vibration value was established in accordance with a standardized testing method. It may change according to how the electric equipment is used and may exceed the specified value in exceptional circumstances.

The specified vibration value can be used to compare the equipment with other electric power tools.

The specified vibration value can be used for initial assessment of a harmful effect.

Keep the noise emissions and vibrations to a minimum.

- Only use appliances which are in perfect working order.
- Service and clean the appliance regularly.
- Adapt your working style to suit the appliance.
- Do not overload the appliance.
- Have the appliance serviced whenever necessary.
- Switch the appliance off when it is not in use.
- Wear protective gloves.

Residual risks

Even if you use this electric power tool in accordance with instructions, certain residual risks cannot be ruled out. The following hazards may arise in connection with the equipment's construction and layout:

1. Lung damage if no suitable protective dust mask is used.
2. Damage to hearing if no suitable ear protection is used.
3. Health damage caused by hand-arm vibrations if the equipment is used over a prolonged period or is not properly guided and maintained.

8. Maintenance

8.1 Replacing the saw chain and cutter rail

The cutter rail needs to be replaced if

- the guide groove of the cutter rail is worn;
- the nose sprocket in the cutter rail is damaged or worn.

Proceed as described in the section "Assembly of the cutter rail and the saw chain".

GB

8.2 Checking the automatic chain lubrication

You should check the operation of the automatic chain lubrication system on a regular basis in order to guard against overheating and the associated damage to the cutter rail and the saw chain. To do this, point the tip of the cutter rail towards a smooth surface (board, section of a cut tree) and allow the chainsaw to run.

If an increasing oil trace becomes evident during this process then the automatic chain lubrication system is working properly. If no clear oil trace is evident then please refer to the corresponding instructions in "Troubleshooting". If the information contained there still fails to remedy the situation then please contact our service department or another similarly qualified workshop.

Caution: Do not actually touch the surface with the tip of the cutter rail when performing this test. Keep a safe distance (approx. 20 cm).

8.3 Sharpening the saw chain

Effective working with the chainsaw is only possible if the saw chain is in good condition and sharp. This also reduces the risk of kickback.

The saw chain can be re-sharpened by any dealer. Do not attempt to sharpen the saw chain yourself unless you have the necessary special tools and experience.

8.4 Changing the carbon brushes (Fig. 25a – 25b) Important!

Always pull out the power plug before changing the carbon brushes. Worn carbon brushes must be replaced.

Proceed as follows:

- Remove the cover as shown in Figure 25a
- Pull out the carbon brushes (Fig. 25b)
- Insert the new carbon brushes
- Replace the cover

9. Cleaning and storing

- Regularly clean the clamping mechanism by blowing it out with compressed air or cleaning it with a brush. Do not use tools for cleaning.
- Keep the handles free of grease so that you can maintain a firm grip.
- Clean the device as required with a damp cloth and, if necessary, mild washing up liquid.
- If the chainsaw is not to be used for an extended period of time then you should remove the chain oil from the tank. Briefly immerse the saw chain and the cutter rail in an oil bath and then wrap them in oil paper.

Caution:

- Always disconnect the mains plug before cleaning the chainsaw.
- Never immerse the unit in water or other liquids in order to clean it.
- Store the chainsaw in a safe and dry place out of the reach of children.

10. Notes on environmental protection / disposal

The device must be properly disposed of when it reaches the end of its service life. Cut off the power cable to prevent it being used by mistake. The device must not be disposed of as domestic waste. Instead, in the interests of the environment it should be disposed of via a designated recycling or disposal point for electrical equipment. Please contact your local authorities for information about proper disposal of the device in your area. Packaging materials and worn accessory parts should also be disposed of at the designated recycling or disposal points.

11. Ordering replacement parts

Please provide the following information on all orders for replacement parts:

- Model/type of the tool
- Article number of the tool
- ID number of the tool
- Part number of the required replacement part

For latest prices and information please visit www.einhell.com.au

12. Troubleshooting

⚠ Caution!

Before troubleshooting, switch off the tool and disconnect the mains plug.

The table below contains a list of fault symptoms and explains what you can do to remedy the problem if your tool fails to work properly. If the problem still persists after working through the list then please contact your nearest service workshop.

Cause	Fault	Remedy
Chainsaw does not work at all	Quick stop brake has been triggered	Pull the hand protection back to the normal position.
	No power supply	Check the power supply.
	Defective mains outlet	Try an alternative source of electrical power, replace if necessary.
	Power extension cable damaged	Check the cable and replace as required.
	Defective fuse	Replace the fuse.
Chainsaw operates intermittently	Power cable damaged	Consult a specialist workshop.
	Loose connection (external)	Consult a specialist workshop.
	Loose connection (internal)	Consult a specialist workshop.
	ON/OFF switch defective	Consult a specialist workshop.
Saw chain dry	No oil in the tank	Fill up with oil.
	Oil tank cap breather blocked	Clean the oil tank cap.
	Oil outlet blocked	Clear the oil outlet.
Chain brake does not work	Problem with the switch mechanism in the front hand guard	Consult a specialist workshop.
Chain/guide rail hot	No oil in the tank	Fill up with oil.
	Oil tank cap breather blocked	Clean the oil tank cap.
	Oil outlet blocked	Clear the oil outlet
	Blunt chain	Re-sharpen or replace the chain.
Chainsaw juddering, vibrating or not sawing properly	Chain tension too loose	Adjust the chain tension.
	Blunt chain	Re-sharpen or replace the chain.
	Worn chain	Replace the chain.
	Saw teeth pointing in the wrong direction	Reinstall the saw chain with the teeth facing in the correct direction.

The guarantee provided in this Guarantee Certificate is given by Einhell Australia Pty Limited
ACN 134 632 858 of 6/166 Wellington Street, Collingwood, Victoria (Telephone number 1300 922 271)
(Einhell Express Guarantee).



GUARANTEE CERTIFICATE

Dear Customer,

All of our products undergo strict quality checks. In the unlikely event that your device develops a fault, please contact our service department at the address shown on this guarantee certificate. Of course, if you would prefer to call us then we are also happy to offer our assistance under the service number printed below. Please note the following terms under which claims under the Einhell Express Guarantee can be made:

1. The benefits conferred by the Einhell Express Guarantee are in addition to all rights and remedies which you may be entitled to under the Australian Consumer Law, and any other statutory rights you may have under other applicable laws. This Einhell Express Guarantee does not exclude, restrict or modify any such rights or remedies.

We do not charge you for the Einhell Express Guarantee.

2. Our goods come with guarantees that cannot be excluded under the Australian Consumer Law. You are entitled to a replacement or refund for a major failure and for compensation for any other reasonably foreseeable loss or damage. You are also entitled to have the goods repaired or replaced if the goods fail to be of acceptable quality and the failure does not amount to a major failure.
3. The Einhell Express Guarantee only covers problems caused by material or manufacturing defects, and our liability under the Einhell Express Guarantee is limited, at our discretion, to the rectification of these defects or replacement of the product. Please note that the product has not been designed for use in commercial, trade or industrial applications. Consequently, the Einhell Express Guarantee will not apply if the product is used in commercial, trade or industrial applications or for other equivalent activities.
4. The following are also excluded from the Einhell Express Guarantee: compensation for transport damage, damage caused by failure to comply with the installation/assembly instructions or damage caused by unprofessional installation, failure to comply with the operating instructions (e.g. connection to the wrong mains voltage or current type), misuse or inappropriate use (such as overloading of the product or use of non-approved tools or accessories), failure to comply with the maintenance and safety regulations, ingress of foreign bodies into the product (e.g. sand, stones or dust), effects of force or external influences (e.g. damage caused by the product being dropped) and normal wear resulting from proper operation of the product. The Einhell Express Guarantee will also not apply if any attempt is made to tamper with the product.
5. The Einhell Express Guarantee is valid for a period of 2 years starting from the purchase date of the product. Claims made under the Einhell Express Guarantee should be submitted before the end of this guarantee period and within two weeks of the defect being noticed. No claims under the Einhell Express Guarantee will be accepted if submitted after the end of this guarantee period. The original guarantee period remains applicable to the device even if repairs are carried out or parts are replaced. In such cases, the work performed or parts fitted will not result in an extension of the guarantee period for the Einhell Express Guarantee, and the Einhell Express Guarantee will not apply for the work performed or parts fitted. This also applies when an on-site service is used.
6. To make a claim under the Einhell Express Guarantee, please send the relevant product postage-free to the address shown below and enclose either the original or a copy of your sales receipt or another dated proof of purchase. It would help us if you could describe the nature of the problem in as much detail as possible. If the defect is covered by the Einhell Express Guarantee, your product will be repaired immediately and returned to you, or we will send you a new device (at our election).

Any costs incurred by you in making a claim under this Einhell Express Guarantee, unless specified otherwise in this guarantee certificate, must be borne by you.

Of course, we are also happy to offer a chargeable repair service for any defects which are not covered by the scope of the Einhell Express Guarantee or for products which are no longer covered by the Einhell Express Guarantee. To take advantage of this service, please send the product to our service address.

EINHELL AUSTRALIA PTY LTD
6/166 Wellington Street
Collingwood VIC 3066
Australia
Phone: 1300 922 271

06/2012 (01)