

Powerful, versatile & mobile!

Einhell®

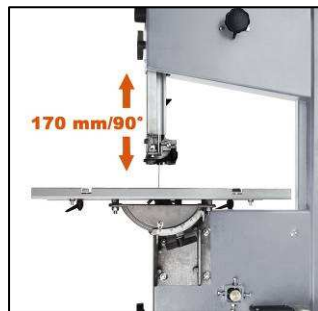
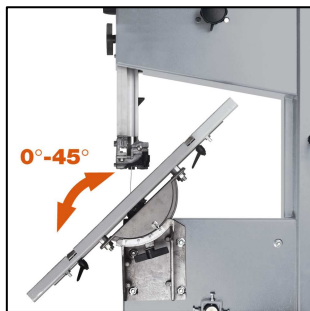
NEW GENERATION



The powerful BS 315 UG band saw offers many precision-cutting options, e.g. longitudinal cuts, mitre cuts or freehand cuts. The band saw is ideal for cutting wood, plastics or similar materials. The pin guide ensures optimum guidance of the band saw blade. In addition, the BS 315 UG is equipped with an adapter for connection of a dust extractor.

With the standard undercarriage, the band saw can be used at ideal working heights.

For mobile application, the BS 315 UG has been equipped an undercarriage and handles for transport by a single person.



BS 315 UG Band saw with undercarriage

Available as special accessory:

Carbide-tipped saw blade:
2240 x 12 mm 4 Z / 25 mm

Art.-No.: 43.111.17
Ident -No.: 01015
EAN-Code: 4006825 516463

Logistic Information:

Type:	BS 315 UG	Sales unit:	1 pc
Art. No.:	43.080.50	20°:	120 pcs
Ident. No.:	01015	40°:	256 pcs
Bar Code:	4006825 511840	40° HC:	276 pcs
Packing:	1,130x380x500 mm	Weight:	58 kgs (gross)



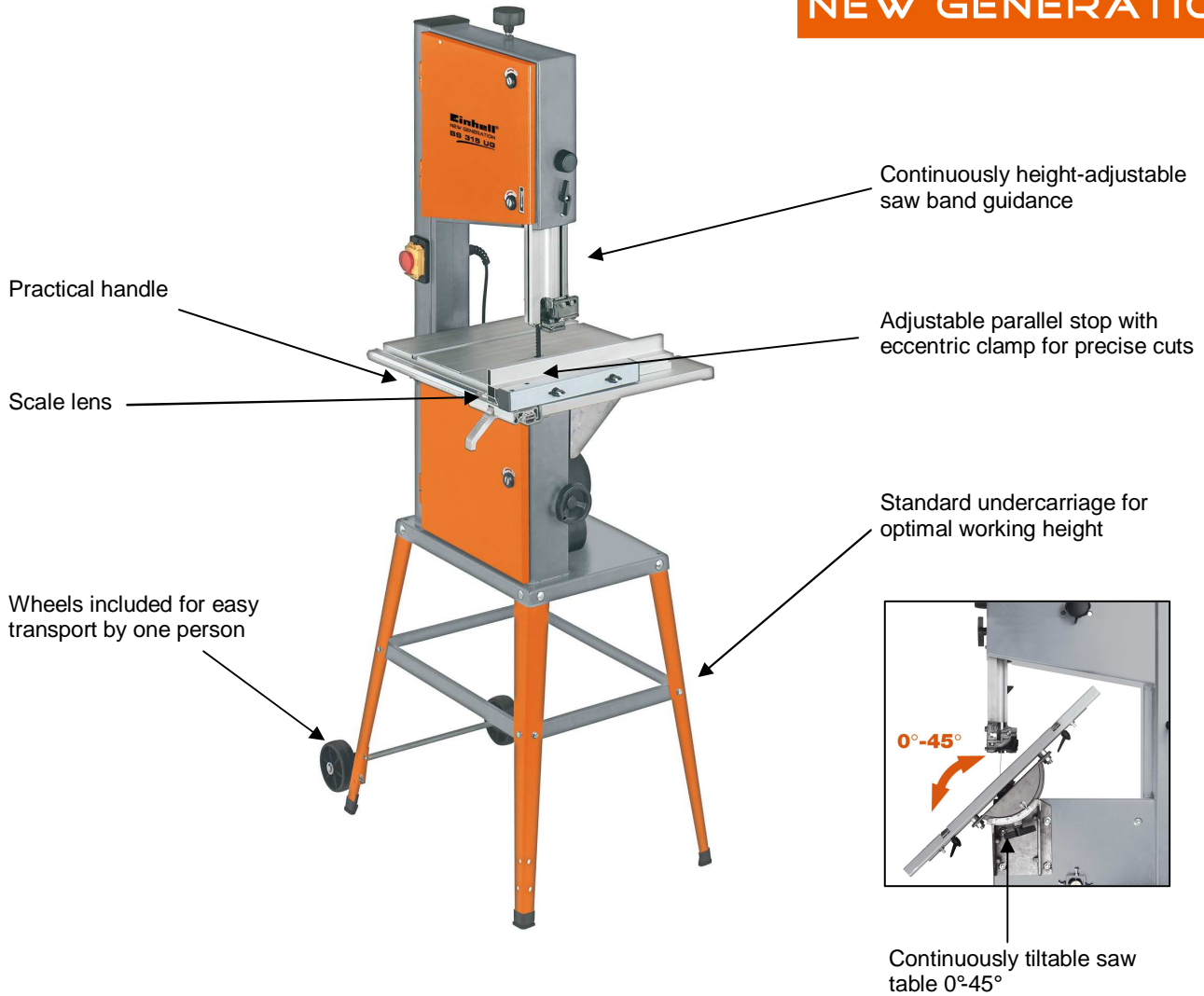
Abbildungen können nicht im Serien-Lieferumfang enthaltenes Zubehör darstellen / Illustrations may contain accessories not included in the standard scope of delivery. Abbildungen ähnlich, produktionsbedingte Abweichung vorbehalten / Illustrations will be similar (in design), production-related modifications reserved without prior notice.

File: S:\shared-pool\Product-Dokumentation\T-Produktbeschreibung\30_n0\Originale_Englisch_PA04\4308050_01015.doc
Erstelldatum/create date: 22.06.2006 15:10:00Aktualisiert/up dated: 18.02.2009

Powerful, versatile & mobile!

Einhell®

NEW GENERATION



Features:

- Standard undercarriage, mobile
- Continuously tiltable saw table, 0°-45°
- Continuously height-adjustable saw band guidance
- Adjustable parallel stop with eccentric clamp for precise cuts
- Practical push stick
- Integrated connection for dust exhaust
- Scale lens

Technical Data:

- | | |
|----------------------|-------------------------|
| - Mains: | 230 V ~ 50 Hz |
| - Power: | 740 watts |
| - Idle speed n_0 : | 1,400 min ⁻¹ |
| - Saw band speed: | 370 / 800 m/min. |
| - Saw band length: | 2,240 mm |
| - Cutting height: | max. 170 mm at 90° |
| - Throat: | 305mm |
| - Table size: | 520 x 400 mm |
| - Table, tiltable: | 0° until 45° |
| - Dust connection: | Ø 100 mm |

Logistic Information:

Type:	BS 315 UG	Tool:	Band saw with undercarriage
Art. No.:	43.080.50	Sales unit:	1 pc
Ident. No.:	01015	20``:	120 pcs
Bar Code:	4006825 511840	40``:	256 pcs
Packing:	1,130x380x500 mm	40``HC:	276 pcs
		Weight:	58 kgs (gross)



Abbildungen können nicht im Serien-Lieferumfang enthaltenes Zubehör darstellen / Illustrations may contain accessories not included in the standard scope of delivery. Abbildungen ähnlich, produktionsbedingte Abweichung vorbehalten / Illustrations will be similar (in design), production-related modifications reserved without prior notice.

File: S:\shared-pool\Product-Dokumentation\T-Produktbeschreibung\30_n0\Originale_Englisch_PA04\4308050_01015.doc
 Erstelldatum/create date: 22.06.2006 15:10:00Aktualisiert/up dated: 18.02.2009