



[www.lidl-service.com](http://www.lidl-service.com)



## Petrol Leaf Blower FBLB 33 A1

GB

### Petrol Leaf Blower

Operation and Safety Notes  
Original operating instructions

CZ

### Benzínový vysavač listí

Pokyny pro obsluhu a bezpečnostní pokyny  
Originální návod k obsluze

DE AT CH

### Benzin-Laubbläser

Bedienungs- und Sicherheitshinweise  
Originalbetriebsanleitung

SI

### Bencinski sesalec za listje

Navodila za upravljanje in varnostna opozorila  
Originalna navodila za uporabo

SK

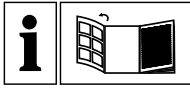
### Benzínový fúkač listia

Pokyny pre obsluhu a bezpečnostné pokyny  
Originálny návod na obsluhu

IAN 76160



SI CZ SK



GB

Before reading, unfold the page containing the illustrations and familiarise yourself with all functions of the device.

SI

Pred branjem stran s slikami odprite navzven in se nato seznanite z vsemi funkcijami naprave.

CZ

Před čtením si otevřete stranu s obrázky a potom se seznámte se všemi funkcemi přístroje.

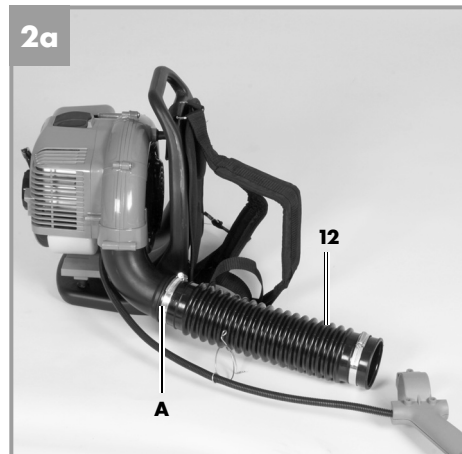
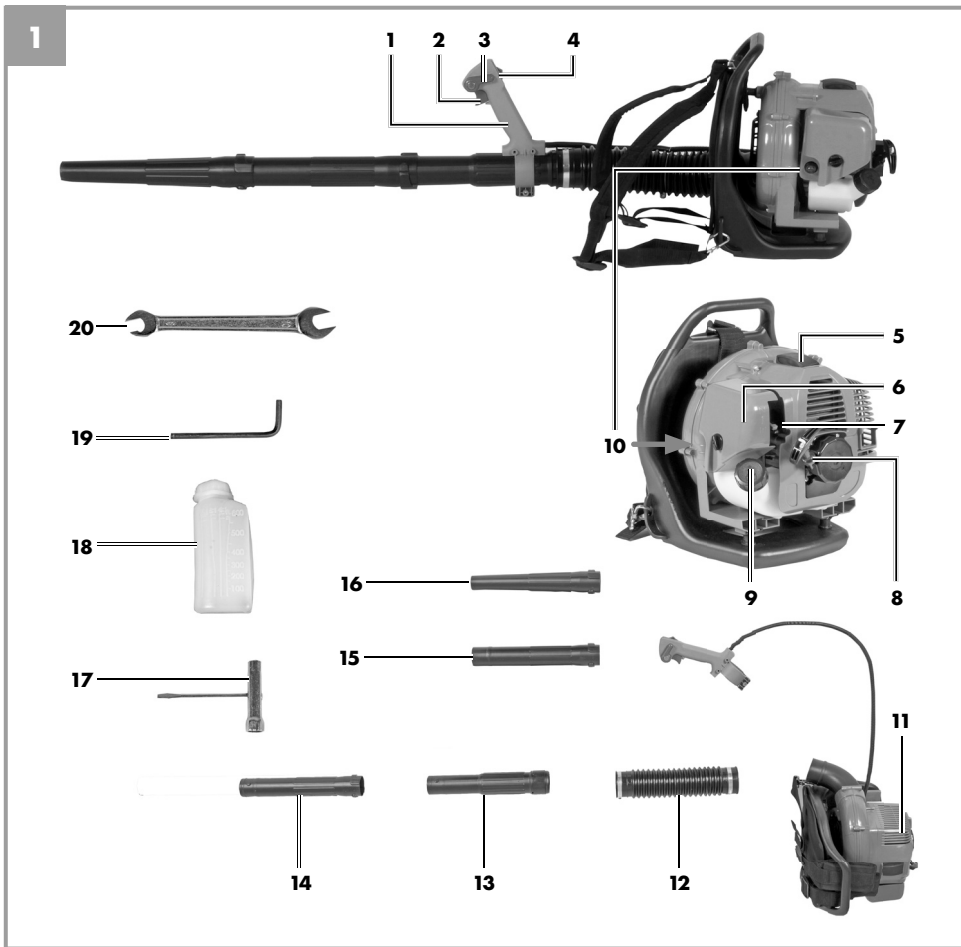
SK

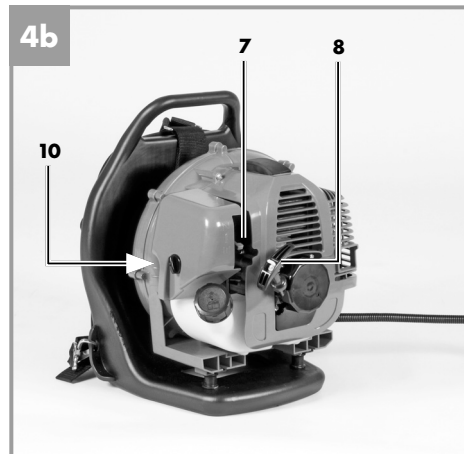
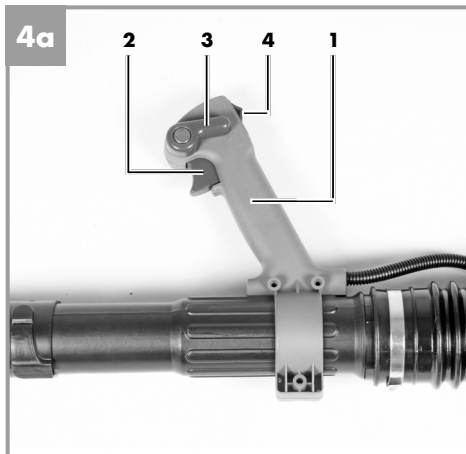
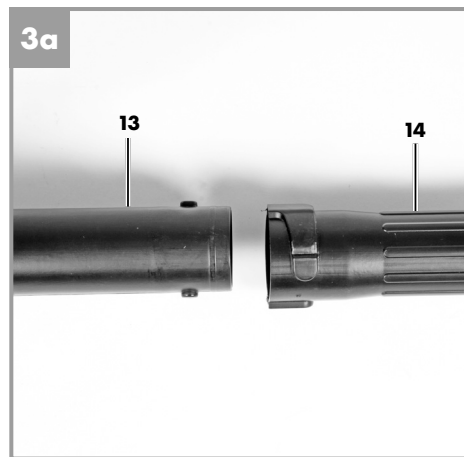
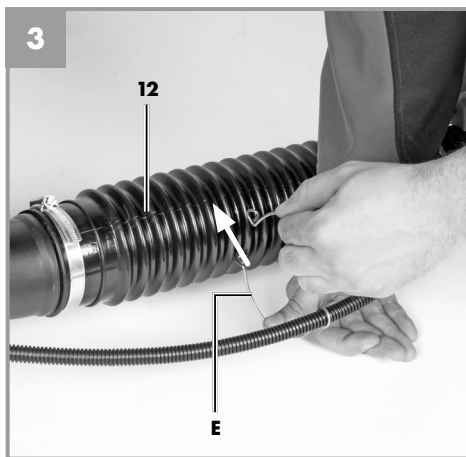
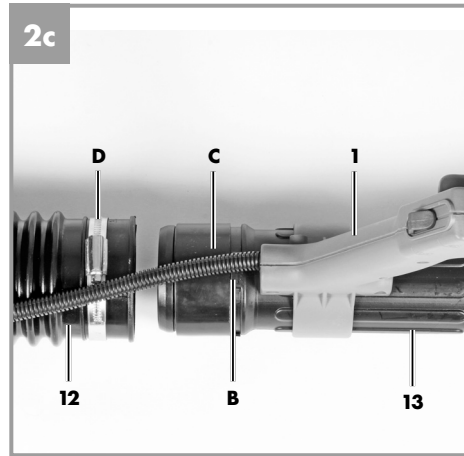
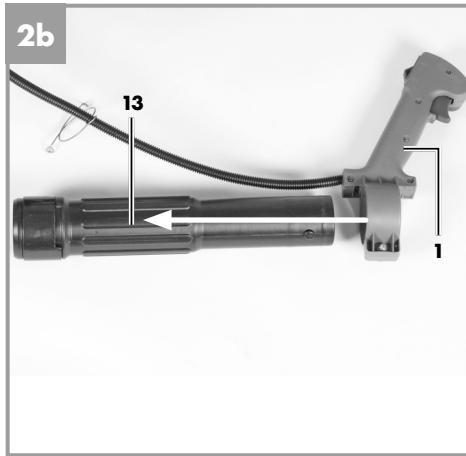
Pred čítaním si odklopte stranu s obrázkami a potom sa oboznámte so všetkými funkciami prístroja.

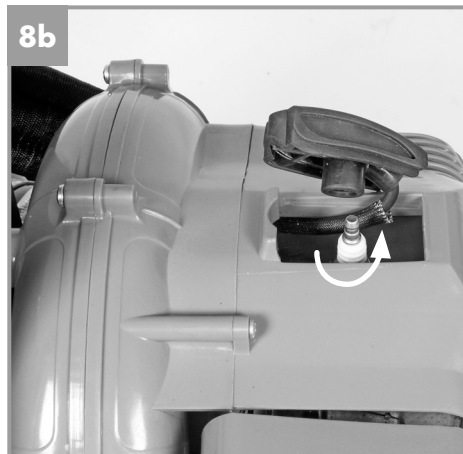
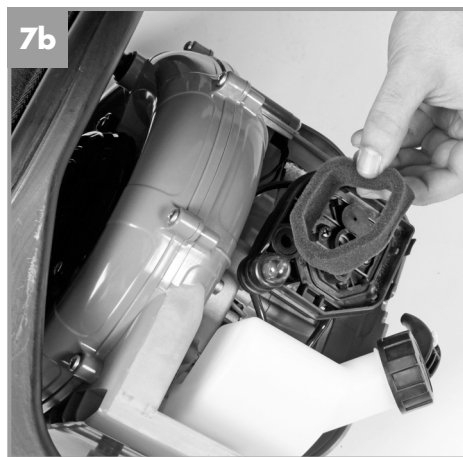
DE AT CH

Klappen Sie vor dem Lesen die Seite mit den Abbildungen aus und machen Sie sich anschließend mit allen Funktionen des Gerätes vertraut.

GB	Operation and Safety Notes	Page	7
SI	Navodila za upravljanje in varnostna opozorila	Stran	17
CZ	Pokyny pro obsluhu a bezpečnostní pokyny	Strana	27
SK	Pokyny pre obsluhu a bezpečnostné pokyny	Strana	37
DE/AT/CH	Bedienungs- und Sicherheitshinweise	Seite	48


















9

1 	2 	3 	4 	5 
 10 x 6	 7	 8	 9	



## Table of contents

1. Introduction.....	8
2. Safety regulations.....	8
3. Layout and items supplied.....	9
4. Proper use.....	10
5. Technical data.....	10
6. Before starting the equipment.....	10
7. Operation.....	11
8. Cleaning, maintenance, storage, starting again after storage, transport and ordering of spare parts.....	12
9. Disposal and recycling.....	13
10. Troubleshooting guide.....	14
11. Declaration of conformity.....	15
12. Warranty certificate.....	16

The reprinting or reproduction by any other means, in whole or in part, of documentation and papers accompanying products is permitted only with the express consent of the iSC GmbH.

Subject to technical changes



## 1. Introduction

Congratulations on your new purchase. You have decided in favor of a high-quality product. The operating instructions are a part of this product. They contain information of importance for your safety, for the use of the product and for its disposal. Before you use the product, acquaint yourself with all the information concerning its operation and safety. Use the product only as described and only for the listed areas of application. If you hand on the product to other people, give them all the documentation as well.

## 2. Safety regulations

### **Caution!**

#### **Read all safety regulations and instructions.**

Any errors made in following the safety regulations and instructions may result in an electric shock, fire and/or serious injury.

#### **Keep all safety regulations and instructions in a safe place for future use.**

#### **Explanation of the warning signs on the equipment (see Fig. 9)**

1. Read the operating instructions before you use the equipment.
2. Wear safety goggles to protect your eyes  
Wear ear plugs to protect yourself from the noise.
3. Warning! Hazard!
4. Keep other people away!
5. Warning! Hot surface
6. Fuel pump
7. Never work if people – especially children – or animals are in the danger area.
8. Sound power level with EC Directive 2000/14/EC.
9. After the unit is switched off, the motor continues to run for a short while.
1. Wear tight-fitting, sturdy work clothes/ protective clothes, which should be practical and must not impede your movements (long trousers or overalls). Wear also safety work shoes, strong gloves, a safety helmet, a face mask, safety goggles to protect your eyes and ear plugs or similar to protect your hearing.
2. Fill in fuel in a safe place. Open the fuel tank cap carefully so that any existing pressure can escape slowly and no fuel splashes out. Before starting the engine, clean the equipment of any fuel or oil residues. Start the engine at least 3m away from the fueling point.
3. Always switch off the engine when put the equipment down and before you carry out any work on the equipment.
4. Check that all the screws and fasteners are secure. The equipment may be used only when it is safe to operate. Never use the equipment if it has not been properly adjusted or has not been fully or safely assembled.
5. Keep the handles dry, clean and free of fuel mix.
6. Store the equipment and accessories in a safe place protected from naked flames and heat/spark sources such as gas geyser heaters, tumble driers, oil stoves or portable radiators, etc.
7. Keep the engine free of dirt.
8. Only adequately trained people and adults may use, adjust and maintain the equipment.
9. A high-quality dust mask must always be worn by users with breathing problems and by everyone who works with the equipment in a very dusty environment. Paper dust masks are available from general stores where you can buy paint and household goods.
10. Use the equipment only at reasonable times of the day. Do not use early in the morning or late in the evening when people could feel disturbed. Pay attention to your local noise control regulations.
11. Allow the equipment to run at the lowest possible engine speed required to carry out the work.
12. Before you start work, use a brush and scraper to remove all dirt from the equipment.
13. In case of dusty conditions, moisten the surface a little.
14. Use the full-length blower nozzle extension so that the air current can work near to the ground.



15. Watch out for children, pets, open windows etc. and blow the dirt safely away from them.
  16. Do not smoke while refueling or using the equipment.
  17. Never use the equipment without a silencer and a correctly installed exhaust guard.
  18. Keep your hands and other parts of the body away from the exhaust pipe and the ignition cable.
  19. The equipment produces toxic exhaust fumes as soon as the engine is started. Never work in enclosed rooms or in rooms with poor ventilation.
  20. Never blow in the direction of other persons, animals, buildings, vehicles or windows, etc. ! The equipment can throw up small objects at high velocity.
  21. To prevent contact with the blower, never operate the equipment without the blower tube guard.
  22. Do not put down the hot engine near inflammable objects/ materials.
  23. Do not use the equipment over a lengthy period of time, take regular breaks.
  24. Never use the equipment when under the influence of alcohol or drugs.
- WARNING:** Modifying the equipment and adding parts or removing parts may place your personal safety at risk and cause the manufacturer's warranty to be voided.
25. Never use the equipment near inflammable liquids or gases, whether in enclosed rooms or outdoors. Explosions and/or fire may result.
  26. Do not wear any clothing, scarves, neck-ties or jewelry which could get into the air intake opening. Tie up and secure long hair (e.g. with a head-scarf, cap, helmet, etc.).
  27. Never refuel when the engine is running or hot.
  28. Never allow children under 14 years of age to use the equipment.

**Keep this safety information in a safe place.**

## 3. Layout and items supplied

### 3.1 Layout (Fig. 1)

1. Handle
2. Throttle lever
3. Throttle lever catch
4. On/Off switch
5. Spark boot plug
6. Air filter cover
7. Choke lever
8. Starter handle (starter cable)
9. Petrol tank
10. Fuel pump (primer)
11. Engine unit
12. Flexible blower hose
13. Top blower tube
14. Bottom blower tube
15. Blower nozzle (large opening)
16. Blower nozzle (small opening)
17. Spark plug wrench
18. Petrol/ oil mix bottle
19. Hexagonal wrench
20. Open-ended wrench

### 3.2 Items supplied

- Open the packaging and take out the equipment with care.
- Remove the packaging material and any packaging and/or transportation braces (if available).
- Check to see if all items are supplied.
- Inspect the equipment and accessories for transport damage.
- If possible, please keep the packaging until the end of the guarantee period.

### Important!

**The equipment and packaging material are not toys. Do not let children play with plastic bags, foils or small parts. There is a danger of swallowing or suffocating!**



## 4. Proper use

This equipment is designed for cleaning walkways, drives and other paths. Any other use, e.g. inflating objects, is not permitted.

The equipment may be used only for its intended purpose. Any other use is deemed to be a case of misuse. The user/operator and not the manufacturer will be liable for any damage or injuries of any kind resulting from such misuse.

Please note that our equipment has not been designed for use in commercial, trade or industrial applications. Our warranty will be voided if the equipment is used in commercial, trade or industrial businesses or for equivalent purposes.

## 5. Technical data

Engine type .....	2-stroke engine; air-cooled
Engine power (max.) .....	0.9 kW/ 1.22 hp
Displacement .....	33 ccm
Max. engine speed .....	8500 min <sup>-1</sup>
Ignition .....	Electronic
Weight (with empty tank) .....	6.3 kg
Tank capacity .....	650 ml
Spark plug .....	RCJ6Y
Maximum air speed .....	250 km/h

### Sound and vibration

L <sub>pA</sub> sound pressure level .....	97 dB(A)
K <sub>pA</sub> uncertainty .....	1.5 dB
L <sub>WA</sub> sound power level .....	111 dB(A)
K <sub>WA</sub> uncertainty .....	1.5 dB

### Wear ear-muffs.

The impact of noise can cause damage to hearing.

### Operation

Vibration emission value  $a_h = 3.87 \text{ m/s}^2$   
K uncertainty =  $1.5 \text{ m/s}^2$

Sound and vibration values were measured in accordance with 2000/14/EC.

Sound and vibration values were measured at the highest speed.

### Keep the noise emissions and vibrations to a minimum.

- Only use appliances which are in perfect working order.
- Service and clean the appliance regularly.
- Adapt your working style to suit the appliance.
- Do not overload the appliance.
- Have the appliance serviced whenever necessary.
- Switch the appliance off when it is not in use.
- Wear protective gloves.

## 6. Before starting the equipment

### 6.1 Fitting the blower tube (Fig. 2-3)

The equipment must be assembled as follows before it is put into operation.

- Before the equipment is used for the first time, the cardboard transport guard must be removed as shown in Figure 2.
- Push the flexible blower hose (Fig. 2a/ Item 12) over the connection on the engine unit and tighten the hose clip (Fig. 2a/Item A).
- Now push the handle (Fig. 2b/Item 1) over the top blower tube (Fig. 2b/Item. 13).
- Align the handle (Fig. 2c/Item 1) and the stop (Fig. 2c/Item B) as shown in Figure 2c and screw the handle tight.
- Move the flexible ring (Fig. 2c/Item C) into center position so that its distance from the stop B is the same when rotated to the left and to the right.
- Now push the top blower tube (Fig. 2c/ Item 13) into the flexible blower hose (Fig. 2c/ Item 12) and secure with the hose clip (Fig. 2c/Item D).
- Use the long clip (Fig. 3/Item E) to secure the cable conduit to the flexible blower hose (Fig. 3/Item 12).

- Push the bottom blower tube (Fig. 3a/ Item 14) over the top blower tube (Fig. 3a/Item 13) and lock by turning clockwise.
- The blower nozzle with either the large or small opening can be fitted. Push the blower nozzles over the blower tube and lock by turning clockwise.

## 6.2 Fuel and oil

Use only a mixture of unleaded petrol and special 2-stroke engine oil. Mix the fuel mixture as indicated in the fuel mixing table.

**Important:** Do not use a fuel mixture which has been stored for longer than 90 days.

**Important:** Never use 2-stroke oil with a recommended mixing ratio of 100:1. The manufacturer's warranty will be voided in case of engine damage due to inadequate lubrication.

**Important:** Only use containers designed and approved for the purpose to transport and store fuel.

Pour the correct quantities of petrol and 2-stroke oil into the attached mixing bottle (see scale printed on the bottle). Then shake the bottle well.

## 6.3 Fuel mixture table

Mixing procedure: 40 parts petrol to 1 part oil


Petrol	2-stroke oil
1 liter	25 ml
5 liters	125 ml

## 7. Operation

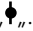
Please note that the statutory regulations governing noise abatement may differ from one location to another.

### 7.1 Cold starts (4a-4b)

Fill the tank with the required amount of oil/petrol mix. See also „Fuel and oil“.

1. Place the equipment safely and securely on the ground.
2. Set the On/Off switch (4) to „ON“ (Fig. 4a)
3. Press the fuel pump (10) (Fig. 4b) 10 times.
4. Set the choke lever (7) to „“.
5. Hold the equipment firmly by the holding

handle.

6. Pull the starter cable (8) out a short way until you feel resistance. It must be pulled evenly and quickly to start the engine. When the engine is running, set the choke lever to „“.
7. Allow the engine to warm up for approx. 10 seconds.

**Note:** If the engine fails to start after repeated attempts, proceed as described in the section „Troubleshooting guide“.

**Note:** Always pull out the starter cable in a straight line. If it is pulled out at an angle, the cable will rub against the eyelet. This friction will cause fraying and therefore greater wear on the starter cable. Always hold the starter handle securely when the cable is retracted. Take care not to let the cable snap back after it has been pulled out. This could cause the cable to catch/become worn and/or might damage the starter housing.

### 7.2 Warm starts (engine off for no longer than 15- 20 minutes)

1. Set the On/Off switch (Figure 1 / Item 4) to „ON“ and pull the starter cable (Fig. 1/Item 8). The engine should start after one or two pulls. If the engine does not start after 6 pulls, repeat steps 2 to 6 (see the section „Cold starts“).
2. If the engine fails to start, or if it starts and stops again after several pulls, follow the instructions in the section „Cold starts“.

### 7.3 Switching off the engine

#### Emergency Stop procedure:

If it becomes necessary to stop the blower immediately (in an emergency), set the ignition switch (Fig. 1/Item 4) to „OFF“.

#### Normal procedure:

To switch off the engine, push back the throttle lever catch so that the engine runs in idle mode. Then move the On/Off switch (Fig. 1/Pos. 4) to „OFF“.

### 7.4 Blower mode

Your leaf blower is designed for blow-cleaning terraces, walkways, lawns, shrubs and many hard-to-reach areas where dirt and debris can collect.

For your own personal safety, please read again all the safety information and directions for use in these operating instructions before you operate the equipment.

Do not use the equipment if other people or animals are in the immediate vicinity. Keep a minimum distance of 10m from other persons or animals.

When working in a very dusty environment, wear a dust mask or breathing mask.

For better control of the blowing direction, always keep a suitable distance from the material you want to blow away. Never blow in the direction of persons in the immediate vicinity.

Before you use the equipment, use a rake or broom to dislodge and remove foreign bodies from the area you want to clean. This will help to prevent injuries.

Control the air velocity by adjusting the throttle lever between the idle and full throttle settings. Test different throttle lever settings in order to find the optimum air velocity for the particular task.

**Important:** Always wear safety goggles or a face mask for protection against objects which are whirled up or catapulted away.

**Important:** Always carry the equipment so that the hot exhaust gases do not come into contact with your clothes and damage them and so that the fumes are not inhaled.

#### To operate the equipment:

Follow the instructions for starting the engine as described in section 7.1 and 7.2.

Let the engine run in idle mode and put on the equipment as shown in Fig. 5. Make sure that nothing covers the exhaust pipe as it becomes hot. Hold the handle tightly in your right hand (Fig. 6) and swing the blower tube back and forth so that the required area is cleared of dirt and debris. Integrated in the handle (Fig. 4a/Item 1) are the throttle lever (Fig. 4a/Item 2) and the On/Off switch (Fig. 4a/Item 4).

The throttle lever catch (Fig. 4a/Item 3) can be used to lock the engine in the full throttle setting without having to keep pressing the throttle lever.

**Important:** Before you switch off the equipment, reset the throttle lever catch to the standard throttle setting.

## 8. Cleaning, maintenance, storage, starting again after storage, transport and ordering of spare parts

Always switch off the equipment and pull out the spark plug boot before carrying out any maintenance work.

### 8.1 Cleaning

- Keep all safety devices, air vents and the motor housing free of dirt and dust as far as possible. Wipe the equipment with a clean cloth or blow it down with compressed air at low pressure.
- We recommend that you clean the equipment immediately after you use it.
- Clean the equipment regularly with a damp cloth and some soft soap. Do not use cleaning agents or solvents; these may be aggressive to the plastic parts in the equipment. Ensure that no water can get into the interior of the equipment.

### 8.2 Maintenance

#### Servicing the air filter (Fig. 7a-7b)

Soiled air filters reduce the engine output by supplying too little air to the carburetor. Regular checks are therefore essential. The air filter should be checked after every 25 hours of use and cleaned if necessary. If the air contains a lot of dust, the air filter should be checked more frequently.

1. Remove the air filter cover (Fig. 7a).
2. Remove the filter element (Fig. 7b).
3. Clean the filter element by tapping it or blowing it.
4. Assemble in reverse order.

**Important:** Never clean the air filter with petrol or inflammable solvents.

### Servicing the spark plug (Fig. 8a-8b)

Spark plug sparking gap = 0.6 mm. Tighten the spark plug with a torque of 12 to 15 Nm. Check the spark plug for dirt and grime after 10 hours of operation and if necessary clean it with a copper wire brush. Thereafter service the spark plug after every 50 hours of operation.

1. Pull off the spark plug boot (Fig. 8a) by twisting.
2. Remove the spark plug (Fig. 8b) with the supplied spark plug wrench.
3. Assemble in reverse order.

### 8.3 Storage

**Important:** If you fail to follow these instructions correctly, deposits may form on the interior of the carburetor which may result in the engine being more difficult to start or the equipment suffering permanent damage.

1. Carry out all the general maintenance work that is described in the section "Maintenance" in the operating instructions.
2. Drain the fuel out of the tank (use a conventional plastic petrol pump for this purpose).
3. When the fuel has been drained, start the equipment.
4. Allow the equipment to run at idling speed until it stops. This will clean the remainder of the fuel out of the carburetor.
5. Let the equipment cool down. (approx. 5 minutes)
6. Remove the spark plug.
7. Place a teaspoon full of 2-stroke engine oil into the combustion chamber. Pull the starter cable several times carefully to wet the internal components with the oil. Fit the spark plug again.
8. Clean the exterior housing of the equipment.
9. Store the equipment in a cold, dry place where it is out of the reach of ignition sources and inflammable substances. Fertilizers and other chemical garden products often contain substances that accelerate the rate of corrosion of metals. Do not store the equipment on or near fertilizers or other chemicals.

### 8.4 Starting again after storage

1. Remove the spark plug.
2. Pull the starter cable several times to clean the oil residue out of the combustion chamber.
3. Clean the spark plug contacts or fit a new spark plug.
4. Fill the tank. See the section "Fuel and oil".
5. Complete steps 1-7 described in the section "Cold starts".

### 8.5 Transport

To transport the equipment, empty the petrol tank as described in the section "Storage". Clean coarse dirt off the equipment with a brush or hand brush.

### 8.6 Ordering spare parts

Please provide the following information on all orders for spare parts:

- Model/type of the equipment
- Article number of the equipment
- ID number of the equipment

For our latest prices and information please go to: [www.isc-gmbh.info](http://www.isc-gmbh.info)

## 9. Disposal and recycling

The unit is supplied in packaging to prevent its being damaged in transit. This packaging is raw material and can therefore be reused or can be returned to the raw material system.

The unit and its accessories are made of various types of material, such as metal and plastic. Defective components must be disposed of as special waste. Ask your dealer or your local council.

## 10. Troubleshooting guide

Fault	Possible cause	Remedy
The equipment does not start.	<ul style="list-style-type: none"> <li>- Correct starting procedure not followed.</li> <li>- Sooted or damp spark plug.</li> <li>- Incorrect carburetor setting.</li> </ul>	<ul style="list-style-type: none"> <li>- Follow the instructions for starting.</li> <li>- Clean the spark plug or replace it with a new one (see section 8.2).</li> <li>- Contact an authorized customer service outlet or send the equipment to ISC GmbH.</li> </ul>
The equipment starts but does not develop its full power.	<ul style="list-style-type: none"> <li>- Incorrect choke lever setting.</li> <li>- Soiled air filter.</li> <li>- Incorrect carburetor setting.</li> </ul>	<ul style="list-style-type: none"> <li>- Set the choke lever (Fig. 1/Item 7) to "F".</li> <li>- Clean the air filter (see section 8.2).</li> <li>- Contact an authorized customer service outlet or send the equipment to ISC GmbH.</li> </ul>
The engine does not run smoothly.	<ul style="list-style-type: none"> <li>- Incorrect electrode gap on the spark plug.</li> <li>- Incorrect carburetor setting.</li> </ul>	<ul style="list-style-type: none"> <li>- Clean the spark plug and adjust the electrode gap, or fit a new spark plug (see section 8.2).</li> <li>- Contact an authorized customer service outlet or send the equipment to ISC GmbH.</li> </ul>
Engine smokes excessively.	<ul style="list-style-type: none"> <li>- Incorrect fuel mix.</li> <li>- Incorrect carburetor setting.</li> </ul>	<ul style="list-style-type: none"> <li>- Use the correct fuel mix (see the fuel mixing table).</li> <li>- Contact an authorized customer service outlet or send the equipment to ISC GmbH.</li> </ul>

## 11. Declaration of conformity

**Einhell Germany AG · Wiesenweg 22 · D-94405 Landau/Isar**



### Konformitätserklärung


<b>D</b> erklärt folgende Konformität gemäß EU-Richtlinie und Normen für Artikel	<b>PL</b> deklaruje zgodność wymienionego poniżej artykułu z następującymi normami na podstawie dyrektywy WE.
<b>GB</b> explains the following conformity according to EU directives and norms for the following product	<b>BG</b> декларира съответното съответствие съгласно Директива на ЕС и норми за артикул
<b>F</b> déclare la conformité suivante selon la directive CE et les normes concernant l'article	<b>LV</b> paskaidro šādu atbilstību ES direktīvai un standartiem
<b>I</b> dichiara la seguente conformità secondo la direttiva UE e le norme per l'articolo	<b>LT</b> apibūdina šį atitikimą EU reikalavimams ir prekės normoms
<b>NL</b> verklaart de volgende overeenstemming conform EU richtlijn en normen voor het product	<b>RO</b> declară următoarea conformitate conform directivei UE și normelor pentru articolul
<b>E</b> declara la siguiente conformidad a tenor de la directiva y normas de la UE para el artículo	<b>GR</b> δηλώνει την ακόλουθη συμμόρφωση σύμφωνα με την Οδηγία ΕΚ και τα πρότυπα για το προϊόν
<b>P</b> declara a seguinte conformidade, de acordo com a directiva CE e normas para o artigo	<b>HR</b> potvrđuje sljedeću usklađenost prema smjernicama EU i normama za artikl
<b>DK</b> attesterer følgende overensstemmelse i medfør af EU-direktiv samt standarder for artiklet	<b>IZ</b> izjava o sukladnosti za ovaj proizvod dostupna je na internet stranici www.lidl.hr.
<b>S</b> förklarar följande överensstämmelse enl. EU-direktiv och standarder för artikeln	<b>BIH</b> potvrđuje sljedeću usklađenost prema smjernicama EU i normama za artikl
<b>FIN</b> vakuuttaa, että tuote täyttää EU-direktiivin ja standardien vaatimukset	<b>RS</b> potvrđuje sledeću usklađenost prema smernicama EZ i normama za artikal
<b>EE</b> tõendab toote vastavust EL direktiivile ja standarditele	<b>RUS</b> следующим удостоверяется, что следующие продукты соответствуют директивам и нормам ЕС
<b>CZ</b> vydává následující prohlášení o shodě podle směrnice EU a norem pro výrobek	<b>UKR</b> проголошує про зазначену нижче відповідність виробу директивам та стандартам ЄС на виріб
<b>SLO</b> potrjuje sledečo skladnost s smernico EU in standardi za izdelek	<b>MK</b> ja izjavува следната сообразност согласно EU-директивата и нормите за артикли
<b>SK</b> vydáva nasledujúce prehlásenie o zhode podľa smernice EU a noriem pre výrobok	<b>TR</b> Ürünü ile ilgili AB direktifleri ve normlan gereğince aşağıda açıklanan uygunluğu belirtir
<b>H</b> a cikkekhez az EU-irányvonal és Normák szerint a következő konformitást jelenti ki	<b>N</b> erklærer følgende samsvar i henhold til EU-direktivet og standarder for artikkel
	<b>IS</b> Lysir uppfyllingu EU-reglna og annarra staðla vöru


### Benzin-Rückenlaubbläser FBLB 33 A1 (Florabest)

<input type="checkbox"/> 87/404/EC_2009/105/EC	<input checked="" type="checkbox"/> 2006/42/EC
<input type="checkbox"/> 2005/32/EC_2009/125/EC	<input type="checkbox"/> Annex IV Notified Body: Notified Body No.: Reg. No.:
<input type="checkbox"/> 2006/95/EC	
<input type="checkbox"/> 2006/28/EC	<input checked="" type="checkbox"/> 2000/14/EC_2005/88/EC
<input checked="" type="checkbox"/> 2004/108/EC	<input checked="" type="checkbox"/> Annex V
<input type="checkbox"/> 2004/22/EC	<input type="checkbox"/> Annex VI Noise measured: L <sub>WA</sub> = 107 dB (A); guaranteed L <sub>WA</sub> = 111 dB (A) P = 0,9 KW; L/O = cm Notified Body:
<input type="checkbox"/> 1999/5/EC	
<input type="checkbox"/> 97/23/EC	<input checked="" type="checkbox"/> 2006/28/EC Emission No.: e11*97/68SA*2004/26*0643*00
<input type="checkbox"/> 90/396/EC_2009/142/EC	
<input type="checkbox"/> 89/686/EC_96/58/EC	
<input type="checkbox"/> 2011/65/EC	

### Standard references: EN 15503; EN 14982

Landau/Isar, den 24.05.2012

  
Weichselgartner/General-Manager

  
Sur/Product-Management

First CE: 12  
Art.-No.: 34.360.63 I.-No.: 11012  
Subject to change without notice

Archive-File/Record: NAPR005898  
Documents registrar: Robert Mayn  
Wiesenweg 22, D-94405 Landau/Isar

## 12. Warranty certificate

Dear Customer,

All of our products undergo strict quality checks to ensure that they reach you in perfect condition. In the unlikely event that your device develops a fault, please contact our service department at the address shown on this guarantee card. Of course, if you would prefer to call us then we are also happy to offer our assistance under the service number printed below. Please note the following terms under which guarantee claims can be made:

1. These guarantee terms cover additional guarantee rights and do not affect your statutory warranty rights. We do not charge you for this guarantee.
2. Our guarantee only covers problems caused by material or manufacturing defects, and it is restricted to the rectification of these defects or replacement of the device. Please note that our devices have not been designed for use in commercial, trade or industrial applications. Consequently, the guarantee is invalidated if the equipment is used in commercial, trade or industrial applications or for other equivalent activities. The following are also excluded from our guarantee: compensation for transport damage, damage caused by failure to comply with the installation/assembly instructions or damage caused by unprofessional installation, failure to comply with the operating instructions (e.g. connection to the wrong mains voltage or current type), misuse or inappropriate use (such as overloading of the device or use of non-approved tools or accessories), failure to comply with the maintenance and safety regulations, ingress of foreign bodies into the device (e.g. sand, stones or dust), effects of force or external influences (e.g. damage caused by the device being dropped) and normal wear resulting from proper operation of the device. This applies in particular to rechargeable batteries for which we nevertheless issue a guarantee period of 12 months. The guarantee is rendered null and void if any attempt is made to tamper with the device.
3. The guarantee is valid for a period of 3 years starting from the purchase date of the device. Guarantee claims should be submitted before the end of the guarantee period within two weeks of the defect being noticed. No guarantee claims will be accepted after the end of the guarantee period. The original guarantee period remains applicable to the device even if repairs are carried out or parts are replaced. In such cases, the work performed or parts fitted will not result in an extension of the guarantee period, and no new guarantee will become active for the work performed or parts fitted. This also applies when an on-site service is used.
4. In order to assert your guarantee claim, please send your defective device postage-free to the address shown below. Please enclose either the original or a copy of your sales receipt or another dated proof of purchase. Please keep your sales receipt in a safe place, as it is your proof of purchase. It would help us if you could describe the nature of the problem in as much detail as possible. If the defect is covered by our guarantee then your device will either be repaired immediately and returned to you, or we will send you a new device.

Of course, we are also happy offer a chargeable repair service for any defects which are not covered by the scope of this guarantee or for units which are no longer covered. To take advantage of this service, please send the device to our service address.

IAN 76160





## Vsebina

1. Uvod .....	18
2. Varnostni napotki .....	18
3. Opis naprave na obseg dobave .....	19
4. Predpisana namenska uporaba.....	20
5. Tehnični podatki .....	20
6. Pred prvim zagonom .....	20
7. Upravljanje.....	21
8. Čiščenje, vzdrževanje, skladiščenje, ponovni zagon, transport in naročanje nadomestnih delov .....	22
9. Odstranjevanje in ponovna uporaba.....	23
10. Načrt iskanja napak.....	24
11. Izjava o skladnosti .....	25
12. Garancijska listina .....	26

Ponatis ali kakršnokoli razmnoževanje dokumentacije in spremljajočih papirjev o proizvodni, tudi po izvlečkih, je dovoljeno samo z izrecnim soglasjem ISC GmbH.

Pridržana pravica do tehničnih sprememb



## 1. Uvod

Čestitamo vam za nakup vaše nove naprave. Odločili ste se za kakovosten izdelek. Navodila za uporabo so sestavni del tega izdelka. Vsebujejo pomembne napotke o varnosti, uporabi in odstranjevanju naprave. Pred uporabo izdelka se seznanite z vsemi napotki za upravljanje in varnost. Izdelek vedno uporabljajte le v skladu z opisom in za navedene namene. Če boste izdelek izročili drugi osebi, ji predajte tudi vso dokumentacijo.

## 2. Varnostni napotki

### ⚠ Opozorilo!

#### **Preberite varnostne napotke in navodila.**

Neupoštevanje varnostnih napotkov in navodil ima lahko za posledico električni udar, požar in/ali hude poškodbe. **Shranite vse varnostne napotke in navodila za kasnejšo uporabo.**

#### **Pojasnilo tabel z napotki na napravi (glejte sliko 9)**

1. Pred uporabo naprave preberite navodilo za uporabo
  2. Nosite zaščitna očala za zaščito oči in slušnike za zaščito pred hrupom
  3. Opozorilo! Nevarnost:
  4. Opazovalci naj se ne približujejo!
  5. Opozorilo! Vroča površina!
  6. Črpalka goriva
  7. Nikoli ne delajte, če so v območju nevarnosti ljudje, zlasti otroci ali živali.
  8. Nivo zvočne moči v skladu z Direktivno 2000/14/ES.
  9. Motor se po izklopu naprave obrača naprej.
  1. Nosite trpežna delovna oblačila/zaščitna oblačila, ki se tesno prilagajajo, jih uporabljajte namensko in vas pri delu ne ovirajo (dolge hlače ali kombinezon). Nosite tudi zaščitne delovne čevlje, zaščitne rokavice, čelado, zaščito za obraz in očala za zaščito oči ter čepe za ušesa ali podobno zaščito za sluh.
2. Gorivo polnite na varnem prostoru. Predvidno odprite pokrov rezervoarja, da se obstoječi nadtlak počasi razgradi in gorivo ne brizga iz rezervoarja. Pred zagonom motorja očistite morebitne ostanke goriva ali olja z motorne naprave. Motor zaženite vsaj 3 m od kraja, kjer ga polnite.
  3. Motor naprave vedno izklopite, ko jo odložite, in preden začnete opravljati dela na napravi.
  4. Preverite trdnost vijakov in zapork. Napravo lahko uporabljate le v obratovalno varnem stanju. Naprave nikoli ne uporabljajte, če ni pravilno nastavljena in povsem in varno sestavljena.
  5. Ročaji morajo biti suhi, čisti in brez ostankov goriva.
  6. Napravo in opremo shranjujte varno in zaščiteno pred odprtim plamenom in viri vročine/isker kot so plinski pretočni grelniki, sušilniki za perilo, oljne peči, prenosni radiatorji itd.
  7. Motor ne sme biti umazan.
  8. Z napravo smejo upravljati ter jo nastavljati in vzdrževati le ustrezno izšolane osebe in odrasle osebe.
  9. Upravljavci s težavami z dihanjem in osebe, ki delajo v močno prašnem okolju, morajo vedno nositi kakovostno masko proti prahu. Papirne maske proti prahu so na voljo v vseh običajnih trgovinah z barvami in gospodinjskimi pripomočki.
  10. Z napravo delajte le ob primernem času. Ne delajte zgodaj zjutraj ali pozno zvečer, ko bi ljudi lahko motil hrup. Upoštevajte krajevna določila o protihrupni zaščiti.
  11. Naprava naj deluje z najnižjim možnim številom vrtljajev motorja, da opravite delo.
  12. Napravo pred delom očistite z metlo in strgalom.
  13. Če so pogoji prašni, površino nekoliko navlažite.
  14. Uporabljajte polni podaljšek pihalne šobe, da lahko zračni tok dela blizu tal.
  15. Opazujte, ali so v okolici otroci, živali, odprta okna itd. in umazanijo odpihajte proč.
  16. Ne kadite, ko polnite gorivo, ali upravljate napravo.



17. Naprava naj nikoli ne deluje brez dušilca zvoka in pravilno nameščenega zaščitnega pokrova za izpuhe.
  18. Rok in delov telesa ne približujte izpuhu in vžigalnemu kablu.
  19. Motorna naprava začne proizvajati strupene izpušne pline takoj, ko začne motor delovati. Dela ne smete nikoli opravljati v zaprtih ali slabo prezračenih prostorih.
  20. Nikoli ne pihajte proti drugim osebam, živalim, zgradbam, vozilom ali oknom itd.! Motorna naprava lahko majhne predmete vrže v zrak z visoko hitrostjo.
  21. Naprave nikoli ne uporabljajte brez zaščite za pihalno cev, da preprečite stik s pihalom.
  22. Vročega motorja ne postavljajte v bližino lahko vnetljivih predmetov/materialov.
  23. Naprave ne uporabljajte dalj časa, temveč redno delajte premore.
  24. Naprave nikoli ne uporabljajte pod vplivom alkohola ali drog.
- OPOZORILO:** Vsaka sprememba, dodajanje napravi ali odstranjevanje z nje lahko ogrozi osebno varnost in izniči garancijo dobavitelja.
25. Naprave nikoli ne uporabljajte v bližini lahko vnetljivih tekočin ali plinov, niti v zaprtih, niti v odprtih prostorih. Posledica so lahko eksplozije in/ali požar.
  26. Ne nosite oblačil, šala, kravata, nakita, ki lahko zaidejo v odprtine za vsesovanje zraka. Daljše lase spnite in zavarujte (npr. z ruto, kapo, čelado itd.).
  27. Nikoli ne polnite rezervoarja pri tekočem ali vročem motorju.
  28. Otrokom, mlajšim od 14 let, ne dovolite upravljanja naprave.

**Ta varnostna navodila dobro shranite.**

### 3. Opis naprave na obseg dobave

#### 3.1 Opis naprave (Slika 1)

1. Ročaj
2. Ročica za plin
3. Aretirni mehanizem plinske ročice
4. Stikalo za vklop/izklop
5. Vtič vžigalne svečke
6. Pokrov zračnega filtra
7. Ročica za hladni zagon
8. Ročaj zaganjača (zagonska vrvice)
9. Bencinski rezervoar
10. Črpalka za gorivo „Primer“
11. Motorna enota
12. Gibljiva pihalna cev
13. Zgornja pihalna cev
14. Spodnja pihalna cev
15. Pihalna šoba (velika odprtina)
16. Pihalna šoba (majhna odprtina)
17. Ključ za svečke
18. Steklenica za mešanje bencina/olja
19. Šestrobni ključ
20. Viličasti ključ

#### 3.2 Obseg dobave

- Odprite embalažo in previdno vzemite napravo iz embalaže.
- Odstranite embalažni material in embalažne in transportne varovalne priprave (če obstajajo).
- Preverite, če je obseg dobave popoln.
- Preverite morebitne poškodbe naprave in delov pribora, do katerih bi lahko prišlo med transportom.
- Po možnosti shranite embalažo do poteka garancijskega roka.

#### Pozor!

**Naprava in embalažni material nista igrača za otroke! Otroci se ne smejo igrati s plastičnimi vrečkami, folijo in malimi deli opreme! Obstaja nevarnost zadušitve in zaužitja takšnih delov materiala!**

## 4. Predpisana namenska uporaba

Naprava je primerna za čiščenje pločnikov, dvoriščnih dovozov in drugih poti. Drugačna uporaba, npr. napihovanje predmetov, ni dovoljena.

Napravo je dovoljeno uporabljati le v skladu z namenom. Vsaka drugačna uporaba ni skladna z namenom. Za vsako škodo ali poškodbo, ki pri tem nastanejo, jamči uporabnik/upravljalavec, in ne proizvajalec.

Prosimo, upoštevajte, da naše naprave niso bile zasnovane za uporabo v poklicu, obrti ali industriji. V primerih uporabe naprave v poklicu, obrti in industriji ali podobnih dejavnostih ne prevzemamo jamstva.

## 5. Tehnični podatki

Tip motorja .....2-taktni motor; zračno hlajen  
 Zmogljivost motorja (maks.) .....0,9 kW/1,22 PS  
 Delovna prostornina ..... 33 ccm  
 Maks. število vrtljajev motor .....8500 min<sup>-1</sup>  
 Vžig .....elektronisch  
 Teža (prazen rezervoar) ..... 6,3 kg  
 Vsebina rezervoarja ..... 650 ml  
 Vžigalna svečka ..... RCJ6Y  
 Maksimalna zračna hitrost ..... 250 km/h

### Hrup in vibracije

Nivo zvočnega tlaka  $L_{pA}$  ..... 97 dB (A)  
 Negotovost  $K_{pA}$  ..... 1,5 dB  
 Nivo zvočne moči  $L_{WA}$  ..... 111 dB (A)  
 Negotovost  $K_{WA}$  ..... 1,5 dB

### Uporabljajte zaščito za ušesa.

Hrup lahko povzroči izgubo sluha.

### Obratovanje

Emisijska vrednost vibracij  $a_h = 3,87 \text{ m/s}^2$   
 Negotovost  $K = 1,5 \text{ m/s}^2$

Vrednosti hrupa in vibracij so bile ugotovljene v skladu z 2000/14/ES.

Vrednosti hrupa in vibracij so bile ugotovljene pri najvišjem številu vrtljajev.

### Omejite hrupnost in vibracije na minimum!

- Uporabljajte samo brezhibne naprave.
- Redno vzdržujte in čistite napravo.
- Vaš način dela prilagodite napravi.
- Ne preobremenjujte naprave.
- Po potrebi dajte napravo v preverjanje.
- Izključite napravo, ko je ne uporabljate.
- Uporabljajte rokavice.

## 6. Pred prvim zagonom

### 6.1 Montaža pihalne cevi (sl. 2-3)

Pred prvim zagonom morate napravo sestaviti kot sledi:

- Pred prvim zagonom odstranite kartonsko transportno zaščito, kot prikazuje slika 2.
- Gibko pihalno cev (sl. 2a/poz. 12) potisnite preko priključka na motorno enoto in trdno pritegnite cevno objemko (sl. 2a/poz. A).
- Sedaj potisnite ročaj (sl. 2b/poz. 1) preko zgornje pihalne cevi (sl. 2b/poz. 13).
- Ročaj (sl. 2c/poz. 1) in omejilo (sl. 2c/poz. B) poravnajte, kot je videti na sliki 2c in fiksno privijajte ročaj.
- Prilagodljivi obroč (sl. 2c/poz. C) postavite v srednji položaj, tako da ima v smeri obračanja levo in desno enako razdaljo do omejila B.
- Sedaj zgornjo pihalno cev (sl. 2c/poz. 13) potisnite v prilagodljivo pihalno cev (sl. 2c/poz. 12) in pritrdite s cevno objemko (sl. 2c/poz. D).
- Kabelsko cev pritrdite z ročajem (sl. 3/poz. E) na prilagodljivo pihalno cev (sl. 3/poz. 12).
- Spodnjo pihalno cev (sl. 3a/poz. 14) potisnite čez zgornjo pihalno cev (sl. 3a/poz. 13) in blokirajte z obračanjem v smeri urinega kazalca.
- Montirate lahko pihalno šobo z veliko ali

majhno odprtino. Pihalne šobe potisnite čez pihalno cev in pritrdite z obračanjem v smeri urinega kazalca.

## 6.2 Pogonsko gorivo in olje

Uporabljajte mešanico neosvinčenega goriva in posebnega 2-taktnega motornega olja.

Mešanico goriva pripravite po tabeli za mešanje goriva.

**Pozor:** Ne uporabljajte mešanic goriva, ki so stare več kot 90 dni.

**Pozor:** ne uporabljajte 2-taktnega olja, ki priporoča razmerje mešanja 100:1. Izdelovalec-eva garancija za motor odpade, ee nastane škoda na motorju zaradi nezadostnega mazanja.

**Pozor:** Za transport in skladiščenje goriva uporabljajte le predvidene in odobrene vsebnike.

V priloženo mešalno steklenico vlijte pravilno količino bencina in 2-taktnega olja (glejte natisnjeno lestvico). Vsebnik nato dobro premešajte.

## 6.3 Tabela za mešanje goriva

Postopek mešanja: 40 delov bencina na 1 del olja


Bencin	2-taktno olje
1 litrov	25 ml
5 litrov	125 ml


## 7. Upravljanje

Upoštevajte zakonska določila za zaščito pred hrupom, ki se lahko krajevno razlikujejo.

### 7.1 Hladni zagon (4a-4b)

V rezervoar napolnite ustrezno mešanico bencina/olja. Glejte tudi „Goriva in olje“.

1. Napravo varno in fiksno postavite na tla.
2. Stikalo za vklop/izklop (4) postavite na „ON“ (sl. 4a)
3. 10-krat pritisnite na črpalko za gorivo (10) (sl. 4b).
4. Ročico za hladni zagon (7) postavite na „“.
5. Napravo dobro držite za ročaj.
6. Zagonsko vrstico (8) nekoliko izvlecite, da začutite upor, za zagon motorja morate vleči enakomerno in hitro. Ko motor teče, postavite

ročico za hladni zagon na „“.

7. Motor pustite teči pribl. 10 sekund, da se ogreje.

**Opozorilo:** Če se motor po več poskusih ne zažene, ravnajte, kot je opisano v poglavju „Načrt iskanja napak“.

**Opozorilo:** Zagonsko vrstico vedno izvlecite ravno ven. Če jo izvlečete poševno, se vrstica drgne na ušescu. To drgnjenje povzroča cepitev vrvice in tako večjo obrabo. Ročico zaganjača vedno držite, ko žico potegne nazaj. Pazite, da se žica ne zavije nazaj, če je bila izvlečena. To bi lahko povzročilo, da se vrstica zatakne/večjo obrabo vrvice in/ali škodo na ohišju zaganjača.

### 7.2 Topli zagon (motor ni ugasnjen več kot 15- 20 minut)

1. Stikalo za vklop/izklop (sl. 1/poz. 4) postavite na „On“ in povlecite zagonsko vrstico (sl. 1/poz. 8). Motor se mora zagnati z enim ali dvema potegoma. Če se motor po 6-kratnem potegu ne zažene, ponovite korake 2 do 6 v poglavju „Hladni zagon“.
2. Če se motor ne zažene ali se zažene in po več potezah znova ustavi, upoštevajte navodila v poglavju „Hladni zagon“.

### 7.3 Ugašanje motorja

#### Vrstni red pri izklopu v sili:

Če je treba pihalno napravo takoj ustaviti (nujni primer!), preklopite vžigalno stikalo (sl. 1/poz. 4) na „OFF“.

#### Normalni vrstni red:

Da motor ugasnete potisnite aretirni mehanizem plinske ročice nazaj, da motor teče v prostem teku. Nato stikalo za vklop/izklop (sl. 1/poz. 4) postavite na „OFF“.

### 7.4 Pihanje

Vaša naprava za pihanje listja je primerna za spihanje teras, pločnikov, trat, grmovja in drugih težko dostopnih površin, kjer se lahko nakopiči umazanija.

Preden napravo uporabite, zaradi lastne varnosti še enkrat preberite vse varnostne napotke in navodila za uporabo v teh navodilih.

Naprave ne uporabljajte, če so v neposredni bližini gledalci ali živali. Do oseb ali živali mora biti vsaj 10 m razdalje.

Pri delu v zelo prašnem okolju nosite masko za prah/dihhalno masko.

Za boljše krmiljenje pihalne naprave vedno ohranjajte zadostno razdaljo do materiala, ki ga želite odpihati. Nikoli ne pihajte v smer gledalcev. Preden uporabite napravo, odпустite ali odstranite tujke s površin, ki jih želite očistiti, s strgalom ali metlo, da preprečite poškodbe.

Hitrost zračnega toka krmilite z upravljanjem ročice za plin med prostim tekom in polnim plinom. Preverite različne položaje plinske ročice, da najdete optimalno hitrost zračnega toka za različne uporabe naprave.

**Pozor:** Za zaščito vzvrtinčenih ali odmetanih predmetov vedno nosite zaščitna očala ali zaščitno za obraz.

**Pozor:** Napravo vedno vodite tako, da vroči izpušni plini ne pridejo v stik z vašimi oblačili in jih poškodujejo ali da jih uporabnik ne vdihava.

#### Uporaba naprave:

Upoštevajte navodila za zagon motorja, kot je opisano v poglavju 7.1 oz. 7.2.

Motor pustite teči v prostem teku in si nadenite napravo, kot prikazuje slika 5. Pazite, da izpuha kaj ne prekriva, ker tam nastaja vročina.

Ročaj držite z desno roko (sl. 6) in pihalno cev nihanje sem ter tja, da z zelene površine izpihate umazanijo.

V ročaju (sl. 4a/poz. 1) sta vgrajena ročica za plin (sl. 4a/poz. 2) in stikalo za vklop/izklop (sl. 4a/poz. 4).

Z aretirnim mehanizmom plinske ročice (sl. 4a/poz. 3) lahko motor blokirate na polnem plinu, da ni treba stalno pritiskati na ročico za plin.

**Pozor:** Pred izklopom naprave potisnite aretirni mehanizem plinske ročice nazaj na plin za prosti tek.

## 8. Čiščenje, vzdrževanje, skladiščenje, ponovni zagon, transport in naročanje nadomestnih delov

Napravo pred vzdrževalnimi deli vedno izklopite in izvlecite vtič za svečke.

### 8.1 Čiščenje

- Zaščitno opremo, zračne reže in ohišje motorja vzdržujte kar se le da v stanju brez prisotnosti prahu in umazanije. Napravo obrišite s suho krpo ali s komprimiranim zrakom pod nizkim pritiskom.
- Priporočamo, da napravo očistite neposredno po vsakem končanem delu.
- Redno čistite napravo z vlažno krpo in nekaj milnice. Ne uporabljajte nobenih čistilnih ali razredčilnih sredstev; le-ta lahko poškodujejo plastične dele naprave. Pazite na to, da ne pride voda v notranjost naprave.

### 8.2 Vzdrževanje

#### Vzdrževanje zračnega filtra (sl. 7a-7b)

Onesnažen zračni filter zmanjša moč motorja zaradi premajhnega dotoka zraka do uplinjača. Redne kontrole so nujne. Zračni filter preverite približno vsakih 25 delovnih ur in ga po potrebi očistite. Če je zrak zelo prašen, je treba zračni filter pogosteje pregledovati.

1. Odstranite pokrov zračnega filtra (sl. 7a)
2. Odstranite filtrirni element (sl. 7b)
3. Filtrirni element očistite s trkanjem ali pihanjem.
4. Montaža poteka v obratnem vrstnem redu.

**Pozor:** Zračnega filtra nikoli ne čistite z bencinom ali gorljivimi topili.

### Vzdrževanje vžigalne svečke (sl. 8a-8b)

Iskrišče vžigalnih svečk = 0,6 mm. Vžigalno svečko pritegnite z 12 do 15 Nm. Po 10 delovnih urah prvič preverite, ali je vžigalna svečka umazana in jo po potrebi očistite s krtačo iz bakrene žice. Nato vžigalno svečko vzdržujte vsakih 50 delovnih ur.

1. Z obračanjem snemite vtikač vžigalne svečke (sl. 8a).
2. Odstranite vžigalno svečko (sl. 8b) s priloženim kljueem za vžigalne svečke.
3. Montaža poteka v obratnem vrstnem redu.

### 8.3 Skladiščenje

**Pozor:** Napaka pri sledenju tem korakom lahko povzroči, da se na notranji steni uplinjača naložijo obloge, kar lahko oteži vžig ali ima trajne posledice za napravo.

1. Opravite splošna vzdrževalna dela, opisana v poglavju „Vzdrževanje“ v navodilih za uporabo.
2. Iz rezervoarja izpustite gorivo (uporabite trgovsko običajno plastično bencinsko tlačilko).
3. Ko gorivo izpustite, zaženite napravo.
4. Naprava naj v prostem teku deluje naprej, dokler se ne ustavi. To iz uplinjača očisti preostanek goriva.
5. Počakajte, da se naprava ohladi. (ca. 5 minut)
6. Odstranite vžigalno svečko.
7. V izgorevalni prostor vlijte za čajno žličko 2-taktnega motornega olja. Nekaj krat previdno izvlecite zagonsko vrstico, da notranje sklope naoljite. Ponovno vstavite vžigalno svečko.
8. Očistite zunanje ohišje naprave.
9. Napravo shranjujte na hladnem, suhem mestu zunaj dosega virov vžiga in gorljivih snovi. Gnojila in drugi kemični izdelki za vrt pogosto vsebujejo snovi, ki pospešijo korozijo kovin. Naprave zato ne shranjujte na gnojilih in drugih kemikalijah ali v njihovi bližini.

### 8.4 Ponovni zagon

1. Odstranite vžigalno svečko.
2. Večkrat previdno izvlecite vžigalno vrstico, da očistite ostanke olja iz izgorevalnega prostora.
3. Kontakte vžigalne svečke očistite ali vstavite novo vžigalno svečko.
4. Rezervoar napolnite. Glejte tudi poglavje „Pogonsko gorivo in olje“.
5. Izvedite korake 1-7 pod točko „Hladni zagon“.

### 8.5 Transport

Če želite napravo transportirati, izpraznite rezervoar za bencin, kot je opisano v poglavju „Skladiščenje“. Z naprave odstranite grobo umazanijo s krtačo ali omelcem.

### 8.6 Naročanje nadomestnih delov:

Pri naročanju nadomestnih delov je potrebno navesti naslednje navedbe:

- Tip naprave
- Art. številko naprave
- Ident-številko naprave

Aktualne cene in informacije najdete na spletni strani [www.isc-gmbh.info](http://www.isc-gmbh.info).

## 9. Odstranjevanje in ponovna uporaba

Naprava se nahaja v embalaži, da ne bi prišlo do poškodb med transportom. Ta embalaža je surovina in s tem ponovno uporabna ali pa jo je možno reciklirati. Naprava in njen pribor sta izdelana iz različnih materialov kot npr. kovine in plastika. Pokvarjene sestavne dele odstranite med posebne odpadke. V ta namen povprašajte v tehnični trgovini ali na občinski upravi!

## 10. Načrt iskanja napak

Napaka	Možni vzrok	Odpravljanje napak
Naprava ne vžge.	<ul style="list-style-type: none"> <li>- Napačen postopek pri zagonu.</li> <li>- Sajaste ali vlažne vžigalne svečke.</li> <li>- Napačna nastavitve uplinjača.</li> </ul>	<ul style="list-style-type: none"> <li>- Upoštevajte navodila za zagon.</li> <li>- Očistite ali zamenjajte vžigalno svečko (glejte poglavje 8.2).</li> <li>- Pojdite na pooblaščen servis ali napravo pošljite družbi ISC GmbH.</li> </ul>
Naprava ne vžge, a ima polno moč.	<ul style="list-style-type: none"> <li>- Napačna nastavitve ročice za hladni zagon.</li> <li>- Onesnažen zračni filter.</li> <li>- Napačna nastavitve uplinjača.</li> </ul>	<ul style="list-style-type: none"> <li>- Ročico za hladni zagon (sl. 1/poz. 7) prestavite na „♦“.</li> <li>- Očistite zračni filter (glejte poglavje 8.2).</li> <li>- Pojdite na pooblaščen servis ali napravo pošljite družbi ISC GmbH.</li> </ul>
Motor teče neenakomerno.	<ul style="list-style-type: none"> <li>- Napačna razdalja elektrod na vžigalni svečki.</li> <li>- Napačna nastavitve uplinjača.</li> </ul>	<ul style="list-style-type: none"> <li>- Očistite vžigalno svečko ali vstavite novo vžigalno svečko (glejte poglavje 8.2).</li> <li>- Pojdite na pooblaščen servis ali napravo pošljite družbi ISC GmbH.</li> </ul>
Motor se prekomerno dimi.	<ul style="list-style-type: none"> <li>- Napačna mešanica goriva.</li> <li>- Napačna nastavitve uplinjača.</li> </ul>	<ul style="list-style-type: none"> <li>- Uporabite pravilno mešanico goriva (glejte tabelo za mešanje goriva).</li> <li>- Pojdite na pooblaščen servis ali napravo pošljite družbi ISC GmbH.</li> </ul>



## 11. Izjava o skladnosti

**Einhell Germany AG · Wiesenweg 22 · D-94405 Landau/Isar**



### Konformitätserklärung

<b>D</b> erklärt folgende Konformität gemäß EU-Richtlinie und Normen für Artikel	<b>PL</b> deklaruje zgodność wymienionego poniżej artykułu z następującymi normami na podstawie dyrektywy WE.
<b>GB</b> explains the following conformity according to EU directives and norms for the following product	<b>BG</b> декларира съответното съответствие съгласно Директива на ЕС и норми за артикул
<b>F</b> déclare la conformité suivante selon la directive CE et les normes concernant l'article	<b>LV</b> paskaidro šādu atbilstību ES direktīvai un standartiem
<b>I</b> dichiara la seguente conformità secondo la direttiva UE e le norme per l'articolo	<b>LT</b> apibūdina šį atitikimą EU reikalavimams ir prekės normoms
<b>NL</b> verklaart de volgende overeenstemming conform EU richtlijn en normen voor het product	<b>RO</b> declară următoarea conformitate conform directivei UE și normelor pentru articolul
<b>E</b> declara la siguiente conformidad a tenor de la directiva y normas de la UE para el artículo	<b>GR</b> δηλώνει την ακόλουθη συμμόρφωση σύμφωνα με την Οδηγία ΕΚ και τα πρότυπα για το προϊόν
<b>P</b> declara a seguinte conformidade, de acordo com a directiva CE e normas para o artigo	<b>HR</b> potvrđuje sljedeću usklađenost prema smjernicama EU i normama za artikl Izjava o skladnosti za ovaj proizvod dostupna je na internet stranici www.lidl.hr.
<b>DK</b> attesterer følgende overensstemmelse i medfør af EU-direktiv samt standarder for artikel	<b>BIH</b> potvrđuje sljedeću usklađenost prema smjernicama EU i normama za artikl
<b>S</b> förklarar följande överensstämmelse enl. EU-direktiv och standarder för artikeln	<b>RS</b> potvrđuje sledeću usklađenost prema smernicama EZ i normama za artikl
<b>FIN</b> vakuuttaa, että tuote täyttää EU-direktiivin ja standardien vaatimukset	<b>RUS</b> следующим удостоверяется, что следующие продукты соответствуют директивам и нормам ЕС
<b>EE</b> tõendab toote vastavust EL direktiivile ja standarditele	<b>UKR</b> проголошує про зазначену нижче відповідність виробу директивам та стандартам ЄС на виріб
<b>CZ</b> vydává následující prohlášení o shodě podle směrnice EU a norem pro výrobek	<b>MK</b> ja izjavuva slednata soobraznost soglasno EU-direktivata i normite za artikli
<b>SLO</b> potrjuje sledečo skladnost s smernico EU in standardi za izdelek	<b>TR</b> Ürünü ile ilgili AB direktifleri ve normları gereğince aşağıda açıklanan uygunluğu belirtir
<b>SK</b> vydáva nasledujúce prehlásenie o zhode podľa smernice EÚ a noriem pre výrobok	<b>N</b> erklærer følgende samsvar i henhold til EU-direktivet og standarder for artikkel
<b>H</b> a cikkekhez az EU-irányvonal és Normák szerint a következő konformitást jelenti ki	<b>IS</b> Lysir uppfyllingu EU-reglna og annarra staðla vöru

### Benzin-Rückenlaubbläser FBLB 33 A1 (Florabest)

<input type="checkbox"/> 87/404/EC_2009/105/EC	<input checked="" type="checkbox"/> 2006/42/EC
<input type="checkbox"/> 2005/32/EC_2009/125/EC	<input type="checkbox"/> Annex IV Notified Body: Notified Body No.: Reg. No.:
<input type="checkbox"/> 2006/95/EC	
<input type="checkbox"/> 2006/28/EC	<input checked="" type="checkbox"/> 2000/14/EC_2005/88/EC
<input checked="" type="checkbox"/> 2004/108/EC	<input checked="" type="checkbox"/> Annex V
<input type="checkbox"/> 2004/22/EC	<input type="checkbox"/> Annex VI Noise measured: L <sub>WA</sub> = 107 dB (A); guaranteed L <sub>WA</sub> = 111 dB (A) P = 0,9 KW; L/Ø = cm Notified Body:
<input type="checkbox"/> 1999/5/EC	
<input type="checkbox"/> 97/23/EC	<input checked="" type="checkbox"/> 2006/28/EC Emission No.: e11*97/68SA*2004/26*0643*00
<input type="checkbox"/> 90/396/EC_2009/142/EC	
<input type="checkbox"/> 89/686/EC_96/58/EC	
<input type="checkbox"/> 2011/65/EC	

Standard references: EN 15503; EN 14982

Landau/Isar, den 24.05.2012

Weichselgartner/General-Manager

Sun/Product-Management

First CE: 12  
Art.-No.: 34.360.63 I.-No.: 11012  
Subject to change without notice

Archive-File/Record: NAPR005898  
Documents registrar: Robert Mayn  
Wiesenweg 22, D-94405 Landau/Isar

## 12. Garancijska listina

Spoštovana stranka!

Naši proizvodi podležejo strogi kontroli kakovosti. Če ta naprava kljub temu ne bi delovala brezhibno, to zelo obžalujemo in Vas prosimo, da se obrnete na našo servisno službo na naslov, ki je naveden spodaj na tem garancijskem listu. Z veseljem smo Vam na voljo tudi telefonsko na navedeno servisno klicno številko. Za uveljavljanje garancijskih zahtevkov velja sledeče:

1. Le-ti garancijski pogoji urejajo dodatne garancijske storitve. Vaši zakonski garancijski zahtevki ostanejo s to garancijo nespremenjeni. Naše garancijske storitve so za Vas brezplačne.
2. Garancijske storitve obsegajo izključno samo pomanjkljivosti zaradi napak v materialih in izdelavi in so omejene na odpravo takšnih pomanjkljivosti oziroma na zamenjavo naprave. Prosimo, da upoštevate, da naše naprave niso konstruirane za uporabo v obrtništvu ali industriji. Garancijska pogodba zato ne pride v poštev, če se naprava uporablja v obrtništvu ali v industrijskih obratih ali v podobnih dejavnostih. Poleg tega ne obsega naša garancija nadomestil za transportne poškodbe, škodo zaradi neupoštevanja navodil za montažo ali zaradi nestrokovne inštalacije, neupoštevanja navodil za uporabo (kot n. pr. priklon na napačno omrežno napetost ali vrsto toka), pretirana ali nepravilna uporaba (vkot n.pr. preobremenitev naprave ali uporaba nedovoljenih orodij ali pribora), neupoštevanje predpisov za vzdrževanje in varnostnih predpisov, vstop tujih predmetov v napravo (kot n.pr. pesek, kamenje ali prah), uporaba sile ali tuji vplivi (kot n.pr. poškodbe zaradi padca naprave) ter običajna obraba naprave zaradi uporabe. To velja še posebej za akumulatorje, za katere vendarle dajemo garancijski rok 12 mesecev. Veljavnost garancijskih zahtevkov ugasne, če so bili na npravi že izvajani posegi.
3. Garancijska doba znaša 3 leti in začne teči z dnevom nakupa naprave. Garancijske zahtevke morate uveljavljati pred potekom garancijske dobe v vseh tednih potem ko ste ugotovili napako. Uveljavljanje garancijskih zahtevkov po poteku garancijske dobe je izključeno. Popravilo ali zamenjava naprave ne privede do podaljšanja garancijske dobe, niti se ne postavi nova garancijska doba zaradi takšnih storitev ali zaradi eventualno vgrajenih nadomestnih delov. To velja tudi za servisne storitve na licu mesta.
4. Za uveljavljanje Vašega garancijskega zahtevka nam pošljite pokvarjeno napravo brez poštnine na spodaj navedeni naslov. Priložite original računa ob nakupu ali drugo potrdilo kot dokazilo o nakupu z datumom nakupa. Zato prosimo, da dobro shranite račun kot dokazilo o nakupu! Prosimo, da nam po možnosti natančno opišete vzroke reklamacije. Če napaka izpolnjuje naše garancijske pogoje, boste nemudoma dobili nazaj popravljeno ali novo napravo.

Seveda bomo proti plačilu stroškov odpravili tudi napake na napravi, katere ne spadajo v obseg garancije ali jih garancija več ne zajema. V takšnem primeru prosimo, da pošljete napravo na naslov naše servisne službe.

**Hans Einhell Österreich GmbH**  
Brunner Strasse 81A  
A-1230 Wien  
Tel.: +386 15838304 · +386 41600170

IAN 76160



CZ

## Obsah

1. Úvod .....	28
2. Bezpečnostní pokyny.....	28
3. Popis přístroje a rozsah dodávky .....	29
4. Použití podle účelu určení .....	30
5. Technická data .....	30
6. Před uvedením do provozu .....	30
7. Obsluha .....	31
8. Čištění, údržba, uložení, opětné uvedení do provozu, transport a objednání náhradních dílů .....	32
9. Likvidace a recyklace .....	33
10. Plán vyhledávání poruch .....	34
11. Prohlášení o shodě.....	35
12. Záruční list .....	36

Patisk nebo jiné rozmnožování dokumentace a průvodních listin, také ve výtazcích, je přípustný pouze s výslovným souhlasem firmy iSC GmbH.

Technické změny vyhrazeny



## 1. Úvod

Srdečně Vám blahopřejeme ke koupi Vašeho nového přístroje.

Rozhodli jste se tak pro vysoce kvalitní výrobek.

Návod k obsluze je součástí tohoto výrobku.

Obsahuje důležité informace pro bezpečnost, používání a likvidaci. Před použitím výrobku se seznamte se všemi pokyny k obsluze a bezpečnostními pokyny. Používejte přístroj pouze podle popisu a v uvedených oblastech použití. Při odevzdání výrobku předajte všechny podklady třetím osobám.

## 2. Bezpečnostní pokyny

### ⚠ Varování!

**Přečtěte si všechny bezpečnostní pokyny a instrukce.** Zanedbání při dodržování bezpečnostních pokynů a instrukcí mohou mít za následek úder elektrickým proudem, požár a/ nebo těžká zranění. **Všechny bezpečnostní pokyny a instrukce si uložte pro budoucí použití.**

### Vysvětlení štítků s pokyny na přístroji (viz obr. 9)

1. Před použitím přístroje si přečíst návod k obsluze
2. Na ochranu očí nosit ochranné brýle  
Na ochranu proti hluku nosit ochranu sluchu
3. Varování! Nebezpečí!
4. Nepouštějte do blízkosti okolostojící osoby!
5. Varování! Horký povrch.
6. Palivové čerpadlo
7. Nikdy nepracujte, pokud se v oblasti nebezpečí vyskytují osoby, obzvlášť děti nebo zvířata.
8. Hladina akustického výkonu podle směrnice 2000/14/ES.
9. Motor po vypnutí přístroje dobíhá.
1. Noste přiléhavý pracovní oděv odolný proti opotřebení/ bezpečnostní oděv, tento by měl být účelný a nesmí omezovat (dlouhé kalhoty a kombinéza). Dále noste pracovní bezpečnostní boty, pevné rukavice, ochran-

nou přilbu, obličejový štít a ochranné brýle na ochranu očí a ušní zátky nebo podobnou ochranu sluchu.

2. Palivo plnit na bezpečném místě. Víčko nádrže otvírat opatrně, aby se mohl pomalu snížit tlak a nedošlo k vystříknutí paliva. Před spuštěním motoru motorový přístroj vyčistěte od eventuálních zbytků paliva nebo oleje. Z důvodů zvýšeného nebezpečí požáru spouštějte motor minimálně ve vzdálenosti 3 m od místa plnění paliva.
3. Motor přístroje vždy vypněte, pokud ho odstavíte nebo než budete provádět práce na přístroji.
4. Překontrolujte pevnost všech šroubů a uzávěrů. Přístroj smí být používán pouze v provozně bezpečném stavu. Nikdy přístroj nepoužívejte, pokud není řádně nastaven a kompletně a bezpečně smontován.
5. Rukojeti udržujte suché, čisté a prosté palivové směsi.
6. Přístroj a příslušenství skladujte bezpečně a chráněné před otevřeným ohněm a horkem/ zdroji jisker jako jsou plynový průtokový ohříváč, sušičky prádla, olejová topidla nebo přenosné radiátory, atd.
7. Udržujte motor čistý.
8. Pouze dostatečně vyškolené osoby a dospělí směř přístroj obsluhovat, nastavovat a udržovat.
9. Obslužný personál s problémy dýchacích cest a osoby, které pracují ve velmi prašném prostředí by měly vždy nosit velmi kvalitní prachovou masku. Papírové prachové masky lze obdržet v běžných obchodech s barvami a domácími potřebami.
10. Pracujte s přístrojem pouze v přiměřenou dobu. Ne časné zrána nebo pozdě večer, když by mohli být lidé rušeni. Dodržujte místní nařízení na ochranu proti hluku.
11. Při práci nechte přístroj běžet při nejnižším možném počtu otáček.
12. Před prací odstraňte z přístroje nečistoty pomocí smetáčku a škrabky.
13. Při prašných podmínkách mírně navlhčete povrch.



14. Používejte kompletní prodloužení dmychadlové trysky, aby mohl proud vzduchu pracovat blízko u země.
  15. Dávejte pozor na děti, domácí zvířata, otevřená okna atd. a nečistoty bezpečně od-fukujte.
  16. Nekouřit, pokud doplňujete palivo nebo obs-luhujete přístroj.
  17. Nikdy přístroj nepoužívejte bez tlumiče výfuku a řádně namontovaného krytu výfuku.
  18. Ruce a části těla nedávejte do blízkosti výfuku a kabelu zapalování.
  19. Motor produkuje jedovaté zplodiny, jakmile běží. Nikdy nepracujte v uzavřených nebo špatně větraných místnostech.
  20. Nikdy nefoukat směrem k jiným osobám, zvířatům, budovám, vozidlům nebo oknům, atd.! Motorový přístroj může velkou rychlostí vymrstit malé předměty.
  21. Nikdy přístroj nepoužívejte bez ochrany foukací trubky, aby se zabránilo kontaktu s dmychadlem.
  22. Horký motor nedávejte do blízkosti lehce zápalných předmětů/materiálů.
  23. Nepoužívejte přístroj po delší dobu, dělejte pravidelné přestávky.
  24. Nikdy přístroj nepoužívejte pod vlivem alko-holu nebo drog.
- VAROVÁNÍ:** Veškeré změny, přídavky nebo odstranění na přístroji mohou ohrozit osobní bezpečnost a způsobí propadnutí záruky dodavatele.
25. Nikdy přístroj nepoužívejte v blízkosti lehce zápalných kapalin nebo plynů, jak v uzavřených prostorách, tak venku. Následkem může být výbuch a/nebo požár.
  26. Nenoste oděv, šálu, kravatu, šperky, které by se mohly dostat do nasávacího otvoru vzduchu. Dlouhé vlasy svázat a zabezpečit (např. šátek, čepice, přilba atd.).
  27. Nikdy nedoplňujte palivo při běžícím nebo horkém motoru.
  28. Nikdy nedovolte dětem do 14 let přístroj obs-luhovat.

**Bezpečnostní pokyny si dobře uložte.**

## 3. Popis přístroje a rozsah dodávky

### 3.1 Popis přístroje (obr. 1)

1. Rukojeť
2. Páčka plynu
3. Aretace páčky plynu
4. Za-/vypínač
5. Kabelová koncovka zapalovací svíčky
6. Kryt vzduchového filtru
7. Páčka sytiče
8. Rukojeť startéru (startovací lanko)
9. Palivová nádrž
10. Palivové čerpadlo (Primer)
11. Motorová jednotka
12. Flexibilní foukací hadice
13. Horní foukací trubka
14. Spodní foukací trubka
15. Foukací tryska (velký otvor)
16. Foukací tryska (malý otvor)
17. Klíč na zapalovací svíčky
18. Mísící láhev benzín/olej
19. Šestihranný klíč
20. Rozvidlený klíč

### 3.2 Rozsah dodávky

- Otevřete balení a přístroj opatrně vyjměte z balení.
- Odstraňte obalový materiál a ochrany balení / dopravní pojistky (jsou-li k dispozici).
- Překontrolujte, zda je rozsah dodávky úplný.
- Zkontrolujte přístroj a příslušenství, zda nebyly při přepravě poškozeny.
- Balení si pokud možno uložte až do uplynutí záruční doby.

### Pozor!

**Přístroj a obalový materiál nejsou dětská hračka! Děti si nesmějí hrát s plastovými sáčky, fóliemi a malými díly! Hrozí nebezpečí spolknutí a udušení!**

## 4. Použití podle účelu určení

Přístroj je vhodný na čištění chodníků, vjezdů do dvora a jiných cest. Jiné použití jako např. nafukování předmětů není dovoleno.

Přístroj smí být používán pouze podle svého účelu určení. Každé další, toto překračující použití, neodpovídá použití podle účelu určení. Za z toho vyplývající škody nebo zranění všeho druhu ručí uživatel/obsluhující osoba a ne výrobce.

Dbejte prosím na to, že naše přístroje nebyly podle svého účelu určení konstruovány pro živnostenské, řemeslnické nebo průmyslové použití. Nepřebíráme proto žádné ručení, pokud je přístroj používán v živnostenských, řemeslných nebo průmyslových podnicích a při srovnatelných činnostech.

## 5. Technická data

Typ motoru ..... 2dobý, vzduchem chlazený  
 Výkon motoru (max.) ..... 0,9 kW/1,22 PS  
 Obsah válce ..... 33 ccm  
 Max. počet otáček motoru ..... 8500 min<sup>-1</sup>  
 Zapalování ..... elektronické  
 Hmotnost (prázdná nádrž) ..... 6,3 kg  
 Obsah nádrže ..... 650 ml  
 Zapalovací svíčka ..... RCJ6Y  
 Rychlost vzduchu ..... 250 km/h

### Hluk a vibrace

Hladina akustického tlaku  $L_{pA}$  ..... 97 dB(A)  
 Nejistota  $K_{pA}$  ..... 1,5 dB  
 Hladina akustického výkonu  $L_{WA}$  ..... 111 dB(A)  
 Nejistota  $K_{WA}$  ..... 1,5 dB

### Noste ochranu sluchu.

Působení hluku může způsobit ztrátu sluchu.

### Provoz

Emisní hodnota vibrací  $a_h = 3,87 \text{ m/s}^2$   
 Nejistota  $K = 1,5 \text{ m/s}^2$

Hluk a vibrace změřeny podle normy 2000/14/ES.

Hluk a vibrace změřeny při maximálním počtu otáček.

### Omezte tvorbu hluku a vibrace na minimum!

- Používejte pouze přístroje v bezvadném stavu.
- Pravidelně provádějte údržbu a čištění přístroje.
- Přizpůsobte Váš způsob práce přístroji.
- Nepřetěžujte přístroj.
- V případě potřeby nechte přístroj zkontrolovat.
- Přístroj vypněte, pokud ho nepoužíváte.
- Noste rukavice.

## 6. Před uvedením do provozu

### 6.1 Montáž foukací trubky (obr. 2-3)

Před prvním uvedením do provozu musí být přístroj smontován následovně:

- Před prvním uvedením do provozu odstranit kartonovou přepravní ochranu tak, jak je znázorněno na obr. 2.
- Flexibilní foukací trubku (obr. 2a/pol. 12) nasunout na přípojku na motorové jednotce a hadicovou sponu (obr. 2a/pol. A) pevně utáhnout.
- Nyní nasunout rukojeť (obr. 2b/pol. 1) na horní foukací trubku (obr. 2b/pol. 13).
- Rukojeť (obr. 2c/pol. 1) a doraz (obr. 2c/pol. B) vyrovnat tak, jak je znázorněno na obr. 2c, a rukojeť utáhnout.
- Flexibilní kroužek (obr. 2c/pol. C) nastavit do středové polohy tak, aby měl ve směru otáčení vlevo a vpravo stejně velký odstup k dorazu B.
- Nyní nasunout horní foukací trubku (obr. 2c/pol. 13) do flexibilní foukací hadice (obr. 2c/pol. 12) a zafixovat pomocí hadicové spony (obr. 2c/pol. D).
- Zafixovat kabelovou hadici pomocí předřizovacího třmínku (obr. 3/pol. E) na flexibilní foukací hadici (obr. 3/pol. 12).
- Spodní foukací trubku (obr. 3a/pol. 14) na-

sunout na horní foukací trubku (obr. 3a/pol. 13) a zaaretovat otáčením ve směru hodinových ručiček.

- Je možné namontovat foukací trysku s velkým nebo malým otvorem. Foukací trysky nasunout na foukací trubku a zaaretovat otáčením ve směru hodinových ručiček.

## 6.2 Palivo a olej

Používejte pouze směs z bezolovnatého benzínu a speciálního oleje pro 2dobé motory. Namíchejte palivovou směs podle tabulky palivových směsí.

**Pozor:** Nepoužívejte žádnou palivovou směs, která byla skladována déle než 90 dní.

**Pozor:** Nepoužívejte žádný olej pro 2dobé motory, u kterého se doporučuje poměr směsi 100:1. Při škodách na motoru na základě nedostatečného mazání odpadá záruka výrobce na motor.

**Pozor:** K transportu a uložení paliva používejte pouze určené a schválené nádoby.

Nalijte vždy správné množství benzínu a oleje pro dvoudobé motory do přiložené láhve (viz stupnice na láhvi). Nakonec nádobu dobře protřepte.

## 6.3 Tabulka palivových směsí

Směsný postup: 40 dílů benzínu na 1 díl oleje


Benzín	Olej pro 2dobé motory
1 litr	25 ml
5 litrů	125 ml

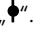
## 7. Obsluha

Dodržujte prosím zákonná nařízení na ochranu proti hluku, která se mohou místně odlišovat.

### 7.1 Studený start (4a-4b)

Naplňte do nádrže přiměřené množství směsi benzínu/oleje. Viz také „Palivo a olej“.

1. Přístroj postavit bezpečně a pevně na zem.
2. Za-/vypínač (4) nastavit do polohy „ON“ (obr. 4a)
3. Palivové čerpadlo (10) 10x stlačit (obr. 4b).
4. Páčku sytiče (7) nastavit do polohy „“.
5. Přístroj držet pevně za rukojeť.

6. Startovací lanko (8) kousek vytáhnout, až ucítíte odpor. Nutné je rovnoměrné, rychlé zatažení, aby motor naskočil. Pokud motor běží, nastavit páčku sytiče do polohy „“.
7. Motor nechat na zahřátí běžet cca 10 vteřin.

**Pokyn:** Pokud motor po opakovaných pokusech nenaskočí, postupujte prosím podle kapitoly „Plán vyhledávání poruch“.

**Pokyn:** Vytahujte startovací lanko vždy přímo a rovně. Pokud je vytaženo pod úhlem, vznikne na očku tření. Tímto třením se lanko odírá a rychleji se opotřebuje. Držte rukojeť startéru vždy pevně, když se lanko vrací zpět. Dbejte na to, aby se lanko po vytažení rychle nevyvrátilo zpět. Toto by mohlo způsobit zaklesnutí/větší opotřebení lanka a/nebo škody na krytu startéru.

### 7.2 Teplý start (motor nebyl odstaven déle než 15 - 20 minut)

1. Nastavte za-/vypínač (obr. 1/pol. 4) do polohy „On“ a zatáhněte za startovací lanko (obr. 1/pol. 8). Motor by měl po jednom nebo dvou zataženích běžet. Pokud motor po ónásobném zatažení neběží, opakujte kroky 2 až 6 viz kapitola „Studený start“.
2. Pokud se motor po několika zataženích nerozběhne nebo se rozběhne a opět zastaví, postupujte podle pokynů v kapitole „Studený start“.

### 7.3 Zastavení motoru

#### Postup při nouzovém vypnutí:

Pokud je nutné foukač bezprostředně zastavit (nouzový případ!), nastavte spínač zapalování (obr. 1/pol. 4) do polohy „OFF“.

#### Normální postup:

Na vypnutí motoru posuňte aretaci páčky plynu zpět, aby motor běžel naprázdno. Poté nastavte za-/vypínač (obr. 1/pol. 4) do polohy „OFF“.



## 7.4 Foukání

Váš foukač listí je vhodný na vyfukování listí a nečistot z teras, chodníků, trávníků, keřů a těžce přístupných ploch, kde se mohou nahromadit nečistoty.

Než začnete s provozem přístroje, přečtěte si prosím pro svoji vlastní bezpečnost ještě jednou všechny bezpečnostní pokyny a pokyny k provozu uvedené v tomto návodu k obsluze.

Přístroj nepoužívejte, pokud se v bezprostřední blízkosti pohybují osoby nebo zvířata. Udržujte minimální vzdálenost 10 m k ostatním osobám nebo zvířatům.

Při práci ve velmi prašném prostředí noste prachovou masku/ochrannou dýchací masku.

Abyste mohli směr vyfukování lépe řídit, udržujte neustále dostatečný odstup od foukaného materiálu. Nikdy nefoukejte ve směru okolostojících.

Než budete přístroj používat, uvolněte resp. odstraňte z plochy určené k čištění cizí předměty hráběmi nebo koštětem, abyste zabránili zraněním.

Rychlost proudu vzduchu řiďte pomocí páčky plynu v poloze mezi volnoběhem a plným plynem.

Vyzkoušejte různé polohy páčky plynu, abyste pro příslušné použití našli optimální rychlost proudu vzduchu.

**Pozor:** Na ochranu před rozvířenými nebo vymrštěnými předměty noste vždy ochranné brýle nebo obličejový štít.

**Pozor:** Vedte přístroj vždy tak, aby horké výfukové plyny nepřišly do kontaktu s Vaším oblečením a nepoškodily ho, nebo aby nebyly uživatelem vdechovány.

### Obsluha přístroje:

Postupujte podle pokynů ke spuštění motoru, jak je popsáno v kapitole 7.1 resp. 7.2.

Nechte motor běžet naprázdno a nasadte si přístroj tak, jak je znázorněno na obr. 5. Dbejte na to, aby nic nezakrývalo výfuk, protože produkuje teplo.

Držte rukojeť pevně pravou rukou (obr. 6) a pohybujte foukací trubicou před sebou z jedné strany na druhou tak, aby byly z požadované plochy odstraněny nečistoty.

V rukojeti (obr. 4/pol. 1) je integrována páčka

plynu (obr. 4a/pol. 2) a za-/vypínač (obr. 4a/pol. 4).

Pomocí aretace páčky plynu (obr. 4a/pol. 3) může být motor zaaretován na plném plynu bez neustálého stlačování páčky plynu.

**Pozor:** Před vypnutím přístroje posunout aretaci páčky plynu zpět na volnoběh.

## 8. Čištění, údržba, uložení, opětné uvedení do provozu, transport a objednání náhradních dílů

Před údržbovými pracemi přístroj vždy vypněte a stáhněte nástrčku zapalovací svíčky.

### 8.1 Čištění

- Udržujte bezpečnostní zařízení, větrací otvory a kryt motoru tak prostě prachu a nečistot, jak jen to je možné. Otřete přístroj čistým hadrem nebo ho profoukněte stlačeným vzduchem při nízkém tlaku.
- Doporučujeme přímo po každém použití přístroj vyčistit.
- Pravidelně přístroj čistěte vlhkým hadrem a trochou mazlavého mýdla. Nepoužívejte čisticí prostředky nebo rozpouštědla; tyto by mohly narušit plastové díly přístroje. Dbejte na to, aby se do přístroje nedostala voda.

### 8.2 Údržba

#### Údržba vzduchového filtru (obr. 7a-7b)

Znečištěné vzduchové filtry snižují výkon motoru sníženým přívodem vzduchu do karburátoru. Pravidelná kontrola je proto nevyhnutelná. Vzduchový filtr by měl být kontrolován každých 25 provozních hodin a v případě potřeby vyčištěn. V případě velmi prašného prostředí je třeba vzduchový filtr kontrolovat častěji.

1. Odeberte kryt vzduchového filtru (obr. 7a)
2. Vyměňte filtrační prvek (obr. 7b).
3. Vyčistěte filtrační prvek vyklepáním nebo vyfouknutím.
4. Montáž se provádí v opačném pořadí.

**Pozor:** Vzduchový filtr nikdy nečistit benzínem nebo hořlavými rozpouštědly.



### Údržba zapalovací svíčky (obr. 8a-8b)

Jiskříště zapalovací svíčky = 0,6 mm. Utáhněte zapalovací svíčku s 12 až 15 Nm. Svíčku poprvé zkontrolujte po 10 provozních hodinách, zda není znečištěna, a v případě potřeby ji vyčistěte pomocí měděného drátěného kartáče. Poté provádět údržbu každých 50 provozních hodin.

1. Otáčením sundejte kabelovou koncovku zapalovací svíčky (obr. 8a).
2. Odeberte zapalovací svíčku (obr. 8b) pomocí přiloženého klíče na zapalovací svíčky.
3. Montáž se provádí v opačném pořadí.

### 8.3 Uložení

**Pozor:** Chyba při následování těchto kroků může způsobit, že se na vnitřní stěně karburátoru vytvoří usazeniny, což může mít za následek zřízené spuštění nebo trvalé škody na přístroji.

1. Proveďte všechny všeobecné údržbové práce, které jsou uvedeny v odstavci „Údržba“ v návodu k obsluze.
2. Vyprázdněte palivovou nádrž (používejte k tomu běžně dostupné plastové benzínové čerpadlo).
3. Po vypuštění paliva nastartujte přístroj.
4. Nechte přístroj běžet naprázdno, dokud se sám nezastaví. To vyčistí karburátor od zbylého paliva.
5. Nechte přístroj ochladit (cca 5 minut).
6. Odstraňte zapalovací svíčku.
7. Do spalovací komory dejte 1 čajovou lžičku oleje pro dvoudobé motory. Zatáhněte několikrát opatrně za startovací lanko, aby byly vnitřní díly smočeny olejem. Zapalovací svíčku opět nasadte.
8. Vyčistěte vnější kryt přístroje.
9. Uložte přístroj na chladném, suchém místě mimo dosah zápalných zdrojů a hořlavých látek. Hnojiva nebo jiné chemické zahravní výrobky obsahují často látky, které urychlují korozi kovu. Neskladujte přístroj v blízkosti hnojiv nebo jiných chemikálií.

### 8.4 Opětné uvedení do provozu

1. Odstraňte zapalovací svíčku.
2. Zatáhněte několikrát za startovací lanko, abyste mohli spalovací komoru vyčistit od zbytků oleje.
3. Vyčistěte kontakty zapalovací svíčky nebo nasadte novou svíčku.
4. Naplňte nádrž. Viz odstavec „Palivo a olej“.
5. Proveďte kroky 1-7 podle bodu „Studený start“.

### 8.5 Transport

Pokud chcete přístroj transportovat, vyprázdněte palivovou nádrž tak, jak je vysvětleno v kapitole „Uložení“. Vyčistěte přístroj kartáčkem nebo smetáčkem od hrubých nečistot.

### 8.6 Objednání náhradních dílů:

Při objednávce náhradních dílů je třeba uvést následující údaje:

- Typ přístroje
- Číslo artiklu přístroje
- Identifikační číslo přístroje

Aktuální ceny a informace naleznete na [www.isc-gmbh.info](http://www.isc-gmbh.info)

## 9. Likvidace a recyklace

Přístroj je uložen v balení, aby bylo zabráněno poškození při přepravě. Toto balení je surovina a tím znovu použitelné nebo může být dáno zpět do cirkulace surovin. Přístroj a jeho příslušenství jsou vyrobeny z rozdílných materiálů, jako např. kov a plasty. Defektní součástky odevzdejte k likvidaci zvláštních odpadů. Zeptejte se v odborné prodejně nebo na místním zastupitelství!

## 10.Plán vyhledávání poruch

Porucha	Možná příčina	Odstranění poruchy
Motor nenaskočí.	<ul style="list-style-type: none"> <li>- Chybný postup při startu.</li> <li>- Zakarbonovaná nebo vlhká zapalovací svíčka.</li> <li>- Chybné nastavení karburátoru.</li> </ul>	<ul style="list-style-type: none"> <li>- Postupujte podle pokynů ke spuštění.</li> <li>- Zapalovací svíčku vyčistit nebo vyměnit za novou (viz kapitola 8.2).</li> <li>- Vyhledat autorizovaný zákaznický servis nebo zaslat přístroj na adresu firmy ISC GmbH.</li> </ul>
Motor naskočí, ale nepodává plný výkon.	<ul style="list-style-type: none"> <li>- Chybné nastavení páčky sytiče.</li> <li>- Znečištěný vzduchový filtr.</li> <li>- Chybné nastavení karburátoru.</li> </ul>	<ul style="list-style-type: none"> <li>- Páčku sytiče (obr. 1/pol. 7) nastavit do polohy „♦“.</li> <li>- Vzduchový filtr vyčistit (viz kapitola 8.2).</li> <li>- Vyhledat autorizovaný zákaznický servis nebo zaslat přístroj na adresu firmy ISC GmbH.</li> </ul>
Motor běží nepravidelně.	<ul style="list-style-type: none"> <li>- Chybná vzdálenost elektrod na zapalovací svíčce.</li> <li>- Chybné nastavení karburátoru.</li> </ul>	<ul style="list-style-type: none"> <li>- Zapalovací svíčku vyčistit a nastavit vzdálenost elektrod nebo namontovat svíčku novou (viz kapitola 8.2).</li> <li>- Vyhledat autorizovaný zákaznický servis nebo zaslat přístroj na adresu firmy ISC GmbH.</li> </ul>
Motor nadměrně kouří.	<ul style="list-style-type: none"> <li>- Špatná palivová směs.</li> <li>- Chybné nastavení karburátoru.</li> </ul>	<ul style="list-style-type: none"> <li>- Použít správnou palivovou směs (viz Tabulka palivových směsí).</li> <li>- Vyhledat autorizovaný zákaznický servis nebo zaslat přístroj na adresu firmy ISC GmbH.</li> </ul>

## 11. Prohlášení o shodě

**Einhell Germany AG · Wiesenweg 22 · D-94405 Landau/Isar**



### Konformitätserklärung

<b>D</b> erklärt folgende Konformität gemäß EU-Richtlinie und Normen für Artikel	<b>PL</b> deklaruje zgodność wymienionego poniżej artykułu z następującymi normami na podstawie dyrektywy WE.
<b>GB</b> explains the following conformity according to EU directives and norms for the following product	<b>BG</b> декларира съответното съответствие съгласно Директива на ЕС и норми за артикул
<b>F</b> déclare la conformité suivante selon la directive CE et les normes concernant l'article	<b>LV</b> paskaidro šādu atbilstību ES direktīvai un standartiem
<b>I</b> dichiara la seguente conformità secondo la direttiva UE e le norme per l'articolo	<b>LT</b> apibūdina šį atitikimą EU reikalavimams ir prekės normoms
<b>NL</b> verklaart de volgende overeenstemming conform EU richtlijn en normen voor het product	<b>RO</b> declară următoarea conformitate conform directivei UE și normelor pentru articolul
<b>E</b> declara la siguiente conformidad a tenor de la directiva y normas de la UE para el artículo	<b>GR</b> δηλώνει την ακόλουθη συμμόρφωση σύμφωνα με την Οδηγία ΕΚ και τα πρότυπα για το προϊόν
<b>P</b> declara a seguinte conformidade, de acordo com a directiva CE e normas para o artigo	<b>HR</b> potvrđuje sljedeću usklađenost prema smjernicama EU i normama za artikl Izjava o sukladnosti za ovaj proizvod dostupna je na internet stranici www.lidl.hr.
<b>DK</b> attesterer følgende overensstemmelse i medfør af EU-direktiv samt standarder for artikel	<b>BIH</b> potvrđuje sljedeću usklađenost prema smjernicama EU i normama za artikl
<b>S</b> förklarar följande överensstämmelse enl. EU-direktiv och standarder för artikeln	<b>RS</b> potvrđuje sledeću usklađenost prema smernicama EZ i normama za artikl
<b>FIN</b> vakuuttaa, että tuote täyttää EU-direktiivin ja standardien vaatimukset	<b>RUS</b> следующим удостоверяется, что следующие продукты соответствуют директивам и нормам ЕС
<b>EE</b> tõendab toote vastavust EL direktiivile ja standarditele	<b>UKR</b> проголошує про зазначену нижче відповідність виробу директивам та стандартам ЄС на виріб
<b>CZ</b> vydává následující prohlášení o shodě podle směrnice EU a norem pro výrobek	<b>MK</b> ja izjavuва следната сообразност согласно EU-директивата и нормите за артикли
<b>SLO</b> potrjuje sledečo skladnost s smernico EU in standardi za izdelek	<b>TR</b> Ürünü ile ilgili AB direktifleri ve normları gereğince aşağıda açıklanan uygunluğu belirtir
<b>SK</b> vydáva nasledujúce prehlásenie o zhode podľa smernice EÚ a noriem pre výrobok	<b>N</b> erklærer følgende samsvar i henhold til EU-direktivet og standarder for artikkel
<b>H</b> a cikkekhez az EU-irányvonal és Normák szerint a következő konformitást jelenti ki	<b>IS</b> Lysir uppfyllingu EU-reglna og annarra staðla vöru

### Benzin-Rückenlaubbläser FBLB 33 A1 (Florabest)

<input type="checkbox"/> 87/404/EC_2009/105/EC	<input checked="" type="checkbox"/> 2006/42/EC
<input type="checkbox"/> 2005/32/EC_2009/125/EC	<input type="checkbox"/> Annex IV Notified Body: Notified Body No.: Reg. No.:
<input type="checkbox"/> 2006/95/EC	
<input type="checkbox"/> 2006/28/EC	<input checked="" type="checkbox"/> 2000/14/EC_2005/88/EC
<input checked="" type="checkbox"/> 2004/108/EC	<input checked="" type="checkbox"/> Annex V
<input type="checkbox"/> 2004/22/EC	<input type="checkbox"/> Annex VI Noise measured: L <sub>WA</sub> = 107 dB (A); guaranteed L <sub>WA</sub> = 111 dB (A) P = 0,9 KW; L/Ø = cm Notified Body:
<input type="checkbox"/> 1999/5/EC	
<input type="checkbox"/> 97/23/EC	<input checked="" type="checkbox"/> 2006/28/EC Emission No.: e11*97/68SA*2004/26*0643*00
<input type="checkbox"/> 90/396/EC_2009/142/EC	
<input type="checkbox"/> 89/686/EC_96/58/EC	
<input type="checkbox"/> 2011/65/EC	

Standard references: EN 15503; EN 14982

Landau/Isar, den 24.05.2012

Weichselgartner/General-Manager

Sun/Product-Management

First CE: 12  
Art.-No.: 34.360.63 I.-No.: 11012  
Subject to change without notice

Archive-File/Record: NAPR005898  
Documents registrar: Robert Mayn  
Wiesenweg 22, D-94405 Landau/Isar

## 12. Záruční list

Vážená zákaznice, vážený zákazníku,  
naše výrobky podléhají přísné kontrole kvality. Pokud i přesto tento přístroj bezvadně nefunguje, velice toho litujeme a prosíme Vás, abyste se obrátili na náš zákaznický servis, jehož adresa je uvedena na tomto záručním listu. Rádi Vám budeme k dispozici také telefonicky na níže uvedeném servisním čísle. Pro uplatňování nároků na záruku platí následující:

1. Tyto záruční podmínky upravují dodatečný záruční servis. Vašich zákonných nároků na záruku se tato záruka netýká. Náš záruční servis je pro Vás bezplatný.
2. Záruční servis se vztahuje výhradně na nedostatky, které lze odvodit z vad materiálu nebo výrobních vad a je také omezen pouze na odstranění těchto nedostatků, resp. výměnu přístroje. Dbejte prosím na to, že naše přístroje nebyly podle svého účelu určeny konstruovány pro živnostenské, řemeslnické nebo průmyslové použití. Záruční smlouva tak není realizována, pokud byl přístroj používán v živnostenských, řemeslných nebo průmyslových podnicích a při srovnatelných činnostech. Z naší záruky je dále vyloučeno poskytnutí náhrady za dopravní škody, škody způsobené nedodržováním montážního návodu nebo z důvodů neodborné instalace, nedodržování návodu k použití (jako např. připojení na chybné síťové napětí nebo druh proudu), nedovoleného nebo neodborného používání (jako např. přetížení přístroje nebo použití neschválených vložných nástrojů nebo příslušenství), nedodržování pokynů pro údržbu a bezpečnostních pokynů, vniknutí cizích těles do přístroje (jako např. písek, kameny nebo prach), použití násilí nebo poškození v důsledku cizích vlivů (jako např. škody způsobené pádem), jakož také běžného opotřebení způsobeného používáním. To platí obzvláště pro akumulátory, na které přesto poskytujeme záruční lhůtu 12 měsíců. Nárok na záruku zaniká, pokud bylo do přístroje již zasahováno.
3. Záruční doba činí 3 roky a začíná datem koupě přístroje. Nároky na záruku před vypršením záruční doby je třeba uplatňovat během dvou týdnů od zjištění defektu. Uplatňování nároků na záruku po vypršení záruční doby je vyloučeno. Oprava nebo výměna přístroje nevede k prodloužení záruční doby, ani k zahájení nové záruční doby za provedený výkon pro přístroj nebo pro případné zamontované náhradní díly. Toto platí také v případě servisu v místě Vašeho bydliště.
4. Při uplatňování Vašeho nároku na záruku zašlete prosím přístroj bez poštovního na níže uvedenou adresu. Přiložte originál prodejního dokladu nebo jiného datovaného potvrzení o koupi. Pokladní lístek si proto dobře uložte jako důkaz! Popište nám prosím pokud možno přesně důvod reklamace. Je-li defekt přístroje v našem záručním servisu obsažen, obdržíte obratem opravený nebo nový přístroj.

Samozřejmě rádi za úhradu nákladů odstraníme defekty na přístroji, které nespadají nebo již nespadají do rozsahu záruky. K tomu nám přístroj prosím zašlete na naši servisní adresu.

**Einhell UNICORE s.r.o.**

Holečkova 4

CZ-360 17 Karlovy Vary

Czech Republic

Tel.: +420 353 440 245 · Fax: +420 359 607 228

E-Mail: servis@einhell.cz

IAN 76160



## Obsah

1. Úvod .....	38
2. Bezpečnostné pokyny .....	38
3. Popis prístroja a objem dodávky .....	39
4. Správne použitie prístroja .....	40
5. Technické údaje .....	40
6. Pred uvedením do prevádzky .....	40
7. Obsluha .....	41
8. Čistenie, údržba, skladovanie, opätovné uvedenie do prevádzky, transport a objednanie náhradných dielov .....	42
9. Likvidácia a recyklácia .....	44
10. Plán na hľadanie chýb .....	45
11. Prehlásenie o zhode .....	46
12. Záručný list .....	47

Dodatočná tlač alebo iné reprodukovanie dokumentácie a sprievodných dokladov výrobkov, taktiež ich častí, je prípustná len s výslovným súhlasom spoločnosti iSC GmbH.

Technické zmeny vyhradené

## 1. Úvod

Srdečne blahoželáme ku kúpe Vášho nového prístroja. Rozhodli ste sa tak pre vysoko kvalitný výrobok. Návod na obsluhu je súčasťou tohto výrobku. Obsahuje dôležité pokyny pre bezpečnosť, používanie a likvidáciu. Oboznámte sa pred použitím výrobku so všetkými obslužnými a bezpečnostnými pokynmi. Používajte tento výrobok len podľa popisu a v uvedených oblastiach použitia. Odovzdajte všetky podklady spolu s výrobkom v prípade odovzdania výrobku tretím osobám.

## 2. Bezpečnostné pokyny

### ⚠ Výstraha!

**Prečítajte si všetky bezpečnostné predpisy a pokyny.** Nedostatky pri dodržovaní bezpečnostných predpisov a pokynov môžu mať za následok úraz elektrickým prúdom, vznik požiaru a/alebo ťažké poranenia. **Všetky bezpečnostné predpisy a pokyny si odložte pre budúce použitie.**

### Vysvetlenie výstražných štítkov na prístroji (pozri obr. 9)

1. Prečítajte si pred používaním prístroja návod na obsluhu
2. Noste ochranné okuliare pre ochranu očí  
Noste chránič uší pre ochranu proti hluku
3. Výstraha! Nebezpečenstvo!
4. Zabráňte prístupu okolostojacich!
5. Výstraha! Horúci povrch
6. Palivové čerpadlo
7. V žiadnom prípade nepracujte, pokiaľ sa v nebezpečnom priestore nachádzajú ľudia, predovšetkým deti alebo zvieratá.
8. Hladina akustického výkonu je v súlade so smernicou 2000/14/ES.
9. Motor sa po vypnutí prístroja ešte dotáča.

1. Noste priliehavý, pevný pracovný odev / bezpečnostný odev, mal by byť účelný a nesmie obmedzovať (dlhé nohavice alebo kombinéza). Ďalej noste bezpečnostné pracovné

topánky, pevné rukavice, ochrannú prilbu, ochranný štít na tvár a ochranné okuliare na ochranu očí a ochranné štipule do uší alebo podobnú ochranu sluchu.

2. Palivo doplňajte na bezpečnom mieste. Uzáver nádrže opatrne otvorte, aby sa mohol prípadný pretlak pomaly uvoľniť a aby palivo nevystreklo von. Pred spustením motora očistite motorový prístroj od prípadných zvyškov paliva alebo oleja. Motor spúšťajte vo vzdialenosti najmenej 3 m od miesta tankovania.
3. Motor prístroja vypnite ihneď ako ho odstavíte a pred vykonávaním práce s prístrojom.
4. Skontrolujte pevné upevnenie všetkých skrutiek a uzáverov. Prístroj sa smie používať iba v prevádzkovo bezpečnom stave. Prístroj nikdy nepoužívajte, ak nie je správne nastavený a kompletne a bezpečne zostavený.
5. Udržujte rukoväte v suchom stave, čisté a bez stôp po palivovej zmesi.
6. Prístroj s príslušenstvom skladujte bezpečne a chránený pred otvoreným ohňom a zdrojmi tepla/iskier ako sú plynový prietokový ohrievač, sušič bielizne, olejová pec, alebo prenosné radiátory, atď.
7. Motor udržiavajte čistý bez nečistôt.
8. Iba dostatočne vyškolené dospelé osoby smú prístroj obsluhovať, nastavovať a vykonávať jeho údržbu.
9. Obsluhujúci personál s problémami dýchacích ciest a osoby, ktoré pracujú vo veľmi prašnom prostredí, by mali vždy nosiť kvalitnú masku proti prachu. Papierové masky proti prachu sú dostupné v bežných obchodoch s farbami a domácimi potrebami.
10. S prístrojom pracujte iba počas primeraného času. Nie skoro ráno alebo neskoro večer, keď môžu byť rušení obyvatelia. Dodržiavajte miestne predpisy o ochrane proti hluku.
11. Prístroj nechajte bežať s najnižšími možnými otáčkami motora, ktoré sú potrebné pre vykonanie danej práce.
12. Pred prácou prístroj zbavte nečistôt pomocou metly a škrabky.
13. Pri prašných podmienkach trochu navlhčite povrch.
14. Používajte úplné predĺženie trysky dúchadla,

tak že prúd vzduchu môže pracovať blízko pri zemi.

15. Venujte pozornosť deťom, domácim zvieratám, otvoreným oknám atď. a bezpečne odľahnite nečistoty.
  16. Nefajčite počas naplňania paliva ani obsluhy prístroja.
  17. Prístroj nikdy neobsluhujte bez tlmiča hluku a správne nainštalovaného ochranného krytu výfuku.
  18. Ruky a časti tela držte od výfuku a zapalovacieho kábla.
  19. Motorový prístroj produkuje jedovaté výfukové plyny, keď motor beží. Nikdy nepracujte v uzavretých alebo zle vetraných priestoroch.
  20. Nikdy nefúkajte v smere iných osôb, zvierat, budov, vozidiel ani okien atď.! Motorový prístroj môže malé predmety vymrštiť veľkou rýchlosťou.
  21. Prístroj nikdy neobsluhujte bez ochrany fúkacej rúry, aby ste zabránili kontaktu s dúchadlom.
  22. Horúci motor neodkladajte v blízkosti ľahko zápalných predmetov/materiálov.
  23. Prístroj nepoužívajte nepretržite dlhší čas, robte pravidelné prestávky.
  24. Prístroj nepoužívajte pod vplyvom alkoholu alebo iných drog.
- VÝSTRAHA:** Akékoľvek zmeny, prídavky alebo odobratia na prístroji môžu ohroziť bezpečnosť osôb a ruší sa pri nich garancia výrobcu.
25. Prístroj nikdy nepoužívajte v blízkosti ľahko horľavých kvapalín alebo plynov, a to ani v uzatvorených miestnostiach ani v otvorenom priestore. Následkom môže byť explózia a/alebo požiar.
  26. Nenoste žiadne oblečenie, šály, kravaty, šperky, ktoré by sa mohli dostať do nasávacieho otvoru vzduchu. Dlhé vlasy si zviažte a zabezpečte (napr. šatka na hlavu, čiapka, prilba atď.).
  27. Nikdy netankujte pri bežiacom alebo horúcom motore.
  28. Nikdy nedovoľte deťom do 14 rokov obsluhovať prístroj.

**Starostlivo uschovajte tieto bezpečnostné pokyny.**

## 3. Popis prístroja a obsah dodávky

### 3.1 Popis prístroja (obr. 1)

1. Rukoväť
2. Plynová páčka
3. Aretácia plynovej páčky
4. Vypínač zap/vyp
5. Koncovka zapalovacej sviečky
6. Kryt vzduchového filtra
7. Páčka sytiča
8. Rukoväť štartéra (štartovacie lanko)
9. Benzínová nádrž
10. Palivové čerpadlo (pumpa)
11. Motorová jednotka
12. Flexibilná fúkacia hadica
13. Horná fúkacia rúra
14. Spodná fúkacia rúra
15. Fúkacia tryska (veľký otvor)
16. Fúkacia tryska (malý otvor)
17. Sviečkový kľúč
18. Miešacia fľaša benzínu/oleja
19. Šesťhranný kľúč
20. Vidlicový kľúč

### 3.2 Objem dodávky

- Otvorte balenie a opatrne vyberte prístroj von z balenia.
- Odstráňte obalový materiál ako aj obalové/transportné poistky (pokiaľ sú obsiahnuté).
- Skontrolujte, či obsah dodávky kompletný.
- Skontrolujte, či nedošlo k poškodeniu prístroja a príslušenstva transportom.
- Pokiaľ možno, uschovajte si obal až do konca záručnej doby.

### Pozor!

**Prístroj a obalový materiál nie sú hračky!  
Deťi sa nesmú hrať s plastovými vreckami, fóliami ani malými dielmi! Hrozí nebezpečenstvo prehltnutia a udusení!**

## 4. Správne použitie prístroja

Prístroj je vhodný na čistenie chodníkov, vjazdov do dvorov a iných ciest. Iné použitie, ako napr. nafukovanie predmetov nie je dovolené.

Prístroj smie byť použitý len na ten účel, na ktorý bol určený. Akékoľvek iné odlišné použitie sa považuje za nespĺňajúce účel použitia. Za škody alebo zranenia akéhokoľvek druhu spôsobené nesprávnym používaním ručí používateľ / obsluhujúca osoba, nie však výrobca.

Prosím berte ohľad na skutočnosť, že naše prístroje neboli svojim určením konštruované na profesionálne, remeselnícke ani priemyselné použitie. Nepreberáme žiadne záručné ručenie, ak sa prístroj bude používať v profesionálnych, remeselníckych alebo priemyselných prevádzkach ako aj na činnosti rovnocenné s takýmto použitím.

## 5. Technické údaje

Typ motora ...2-taktný motor, chladený vzduchom  
 Výkon motora (max.) .....0,9 kW/ 1,22 PS  
 Objem valcov ..... 33 ccm  
 Max. otáčky motora .....8 500 min<sup>-1</sup>  
 Zapalovanie.....elektronické  
 Hmotnosť (prázdna nádrž) ..... 6,3 kg  
 Objem nádrže ..... 650 ml  
 Zapalovacia sviečka ..... RCJ6Y  
 Maximálna rýchlosť vzduchu ..... 250 km/h

### Hlučnosť a vibrácie

Hladina akustického tlaku  $L_{pA}$  .....97 dB (A)  
 Nepresnosť  $K_{pA}$  ..... 1,5 dB  
 Hladina akustického výkonu  $L_{WA}$  ..... 111 dB (A)  
 Nepresnosť  $K_{WA}$  ..... 1,5 dB

### Používajte ochranu sluchu.

Pôsobenie hluku môže spôsobiť poškodenie sluchu.

### Prevádzka

Emisná hodnota vibrácie  $a_h = 3,87 \text{ m/s}^2$   
 Faktor neistoty  $K = 1,5 \text{ m/s}^2$

Hodnoty hluku a vibrácie boli merané podľa 2000/14/ES.

Hodnoty hluku a vibrácie boli merané pri najvyšších otáčkach.

### Obmedzte tvorbu hluku a vibráciú na minimum!

- Používajte len prístroje v bezchybnom stave.
- Pravidelne vykonávajte údržbu a čistenie prístroja.
- Prispôbte spôsob práce prístroju.
- Prístroj nepreťažujte.
- V prípade potreby nechajte prístroj skontrolovať.
- Prístroj vypnite, pokiaľ ho nepoužívate.
- Používajte rukavice.

## 6. Pred uvedením do prevádzky

### 6.1 Montáž fúkacej rúry (obr. 2-3)

Pred prvým uvedením do prevádzky musí byť prístroj zmontovaný nasledovne:

- Pred prvým uvedením do prevádzky odstráňte kartónovú prepravnú ochranu, pozri obrázok 2.
- Flexibilnú fúkaciu hadicu (obr. 2a/pol. 12) nasuňte na pripojenie na jednotku motora a hadicovú sponu (obr. 2a/pol. A) pevne pritiahnite.
- Teraz nasuňte rukoväť (obr. 2b/pol. 1) na hornú fúkaciu rúru (obr. 2b/pol. 13).
- Rukoväť (obr. 2c/pol. 1) a doraz (obr. 2c/pol. B) vyrovnajte ako na obrázku 2c a rukoväť pevne priskrutkujte.
- Flexibilný krúžok (obr. 2c/pol. C) posuňte do strednej polohy, tak aby mal v smere otáčania vľavo a vpravo rovnaký odstup k dorazu B.
- Teraz vsuňte hornú fúkaciu rúru (obr. 2c/pol. 13) do flexibilnej fúkacej hadice (obr. 2c/pol. 12) a zafixujte pomocou hadicovej spony (obr. 2c/pol. D).



- Káblovú hadicu s pridrzným ramenom (obr. 3/pol. E) zafixujte na flexibilnú fúkaciu hadicu (obr. 3/pol. 12).
- Spodnú fúkaciu rúru (obr. 3a/pol. 14) nasuňte na hornú fúkaciu rúru (obr. 3a/pol. 13) a zafixujte ju otáčaním v smere hodinových ručičiek.
- Je možné namontovať fúkaciu trysku s veľkým alebo malým otvorom. Fúkacie trysky nasuňte na fúkaciu rúru a zafixujte ich otáčaním v smere hodinových ručičiek.

### 6.2 Palivo a olej

Používajte výlučne len zmes z bezolovnatého benzínu a špeciálneho 2-taktového motorového oleja. Namiešajte túto palivovú zmes podľa tabuľky miešania paliva.

**Pozor:** Nikdy nepoužívajte palivovú zmes, ktorá bola skladovaná dlhšie ako 90 dní.

**Pozor:** Nepoužívajte 2-taktový olej, pri ktorom je odporúčaný zmiešavací pomer 100:1. Pri poškodeniach motora kvôli nedostatočnému mazaniu zaniká záruka výrobcu na motor.

**Pozor:** Na prepravu a skladovanie paliva používajte len také nádoby, ktoré sú na dané použitie určené a atestované.

Do priloženej miešacej fľaše pridajte vždy správne množstvo benzínu a 2-taktového oleja (pozri aplikovanú stupnicu). Nakoniec nádobu dostatočne pretrepte.

### 6.3 Tabuľka miešania paliva

Postup miešania: 40 dielov benzínu na 1 diel oleja



Benzín	2-taktový olej
1 liter	25 ml
5 litrov	125 ml

## 7. Obsluha

Prosím dbajte na zákonné predpisy o ochrane proti hluku, ktoré sa môžu lokálne odlišovať.

### 7.1 Studený štart (4a-4b)

Naplňte palivovú nádrž primeraným množstvom benzínovej/olejovej zmesi. Pozri tiež „Palivo a olej“.

1. Prístroj bezpečne a pevne postavte na zem.
2. Vypínač zap/vyp (4) prepnúť do polohy „ON“ (obr. 4a)
3. Palivové čerpadlo (10) stlačte 10x (obr. 4b).
4. Páčku sýtiča (7) nastavíť na „“.
5. Prístroj pevne držte za rukoväť.
6. Štartovacie lanko (8) kúsok vytiahnite, až kým necítite odpor. Rovnomerné rýchle potiahnutie je potrebné na naštartovanie motora. Ak motor beží, páčku sýtiča nastavte na „“.
7. Kvôli zohriatiu nechajte motor bežať cca 10 sekúnd.

**Upozornenie:** Ak sa motor nenašartuje po opakovaných pokusoch, postupujte prosím podľa kapitoly „Plán na hľadanie chýb“.

**Upozornenie:** Štartovacie lanko ťahajte vždy rovno von. Pri šikmom ťahaní sa lanko odiera o oko. Toto trenie spôsobí rozštiepenie vlákien a tým vyššie opotrebovanie. Štartovaciu rukoväť držte vždy pevne, keď sa lanko zafahuje späť. Dbajte na to, aby sa lanko nevracalo rýchlo keď bolo vytiahnuté. To by mohlo spôsobiť zachytenie/vyššie opotrebovanie lanka a/ alebo poškodenie krytu štartéra.

### 7.2 Teplý štart (motor odstavený nie viac ako 15- 20 minút)

1. Vypínač zap/vyp (obr. 1/pol. 4) prepnite na „On“ a zatiahnite za štartovacie lanko (obr. 1/pol. 8). Motor by sa mal po jednom alebo dvoch potiahnutiach naštartovať. Ak sa motor po 6-tich potiahnutiach nenašartuje, opakujte kroky 2 až 6, pozri kapitolu „Studený štart“.
2. Ak sa motor po niekoľkých ťahoch nenašartuje, alebo sa naštartuje a znova sa zastaví, postupujte podľa pokynov v kapitole „Studený štart“.

### 7.3 Vypnutie motora

#### Postup v prípade núdzového vypnutia:

V prípade, že je potrebné prístroj okamžite zastaviť (núdzový prípad!), prepnite spínač zapalovania (obr. 1/pol. 4) do polohy „OFF“.

#### Normálny postup:

Pre vypnutie motora posuňte aretáciu plynovej páčky späť, tak že motor beží na voľnobehu. Potom vypínač zap/vyp (obr. 1/ pol. 4) prepnite do polohy „OFF“.

### 7.4 Prevádzka fúkania

Vaše dúchadlo na lístie je vhodné na ofukovanie terás, chodníkov, trávnikov, krovín a ďalších ťažko prístupných plôch, kde sa môžu usadzovať nečistoty.

Pred obsluhou prístroja si pre Vašu vlastnú bezpečnosť prosím ešte raz prečítajte všetky bezpečnostné pokyny a pokyny pre používanie z tohto návodu na obsluhu.

Prístroj nepoužívajte, ak sa v bezprostrednej blízkosti nachádzajú iné osoby alebo zvieratá. Dodržujte minimálny odstup 10 m od iných osôb alebo zvierat.

Pri práci vo veľmi prašnom prostredí používajte masku proti prachu/dýchaciu masku.

Pre lepšie riadenie smeru fúkania vždy udržiavajte dostatočný odstup od odfukovaného materiálu.

Nikdy nefúkajte smerom k okolostojacim.

Pred používaním prístroja uvoľnite resp. odstráňte z čistených plôch cudzie predmety hrabľami alebo metlou, aby ste vylúčili poranenia.

Rýchlosť prúdu vzduchu regulujte ovládaním plynovej páčky medzi polohou voľnobehu a plného plynu. Vyskúšajte rôzne polohy plynovej páčky, aby ste našli optimálnu rýchlosť prúdu vzduchu pre príslušné použitie.

**Pozor:** Na ochranu pred rozvírenými alebo vymrštenými predmetmi noste vždy ochranné okuliare alebo ochranu tváre.

**Pozor:** Prístroj vedte vždy tak, aby sa horúce výfukové plyny nedostali do kontaktu s Vaším odevom a nepoškodili ho, alebo aby ich nevdýchla obsluhujúca osoba.

### Pre obsluhu prístroja:

Postupujte podľa pokynov pre naštartovanie motora ako je popísané v kapitole 7.1 resp. 7.2.

Nechajte motor bežať vo voľnobehu a prístroj si nasadte ako je zobrazené na obrázku 5. Dbajte na to, aby nič nezakrývalo výfuk, pretože produkuje teplo.

Rukoväť držte pevne pravou rukou (obr. 6) a kývajte fúkaciu rúru sem a tam tak, aby bola želaná plocha zbavená nečistôt.

V rukoväti (obr. 4a/pol. 1) je integrovaná plynová páčka (obr. 4a / pol. 2) a vypínač vyp/zap (obr. 4a/pol. 4).

Pomocou aretácie plynovej páčky (obr. 4a/pol. 3) je možné motor zaaretovať na plný plyn bez neustáleho stláčania plynovej páčky.

**Pozor:** Pred vypnutím prístroja posuňte aretáciu plynovej páčky späť na zastavovací plyn.

## 8. Čistenie, údržba, skladovanie, opätovné uvedenie do prevádzky, transport a objednanie náhradných dielov

Pred údržbovými prácami prístroj najskôr vypnite a vytiahnite koncovku zapalovacej sviečky.

### 8.1 Čistenie

- Udržujte ochranné zariadenia, vzduchové otvory a kryt motora vždy v čistom stave bez prachu a nečistôt. Utrite prístroj čistou utierkou alebo ho vyčistite vyfúkaním stlačeným vzduchom pri nastavení na nízky tlak.
- Odporúčame, aby ste prístroj čistili priamo po každom použití.
- Čistíte prístroj pravidelne pomocou vlhkej utierky a malého množstva tekutého mydla. Nepoužívajte žiadne agresívne čistiace prostriedky ani riedidlá; tieto prostriedky by mohli napadnúť umelohmotné diely prístroja. Dbajte na to, aby sa do vnútra prístroja nedostala voda.

## 8.2 Údržba

### Údržba vzduchového filtra (obr. 7a - 7b)

Znečistené vzduchové filtre znižujú výkon motora kvôli nedostatočnému prívodu vzduchu do karburátora. Pravidelná kontrola je preto bezpodmienečne nutná. Vzduchový filter by mal byť kontrolovaný každých 25 prevádzkových hodín a v prípade potreby čistený. Pri veľmi prašnom vzduchu sa musí vzduchový filter kontrolovať častejšie.

1. Odoberte kryt vzduchového filtra (obr. 7a)
2. Odoberte filtračný prvok (obr. 7b).
3. Vyčistite filtračný prvok vyklepaním alebo prefúknutím.
4. Opätovná montáž sa uskutoční v opačnom poradí.

**Pozor:** Vzduchový filter nikdy nečistite benzínom ani horľavými rozpúšťadlami.

### Údržba zapalovacej sviečky

#### (obr. 8a - 8b)

Vzdialenosť kontaktov zapalovacej sviečky = 0,6 mm. Zapalovaciu sviečku priťahnite 12 až 15 Nm. Skontrolujte znečistenie zapalovacej sviečky po prvý krát po 10 prevádzkových hodinách a vyčistite ju v prípade potreby medenou drôtenou kefkou. Potom čistite zapalovaciu sviečku každých 50 prevádzkových hodín.

1. Odoberte koncovku zapalovacej sviečky (obr. 8a) otočným pohybom.
2. Odoberte zapalovaciu sviečku (obr. 8b) pomocou priloženého sviečkového kľúča.
3. Opätovná montáž sa uskutoční v opačnom poradí.

## 8.3 Skladovanie

**Pozor:** Chyba pri nasledovaní týchto krokov môže mať za následok, že sa na vnútornej stene karburátora vytvoria usadeniny, čo môže mať za následok sťaženie spúšťania alebo trvalé poškodenie prístroja.

1. Vykonajte všeobecné údržbové práce, ktoré sú popísané v odseku „Údržba“ v tomto návode na obsluhu.
2. Vypustite palivo z palivovej nádrže (použite k tomu bežné plastové benzínové čerpadlo).
3. Po úplnom vypustení paliva naštartujte prístroj.

4. Nechajte prístroj bežať ďalej na voľnobehu, až kým sa sám nezastaví. To vyčistí karburátor od zvyšného paliva.
5. Nechajte prístroj vychladnúť (cca. 5 minút).
6. Odoberte zapalovaciu sviečku.
7. Naplňte jednu čajovú lyžičku čistého 2-taktového motorového oleja do spaľovacej komory. Potiahnite niekoľko krát opatrne štartovacie lanko, aby sa tak premazali olejom vnútorné súčiastky. Znovu nasadte zapalovaciu sviečku.
8. Vyčistite vonkajší kryt prístroja.
9. Skladujte prístroj na chladnom, suchom mieste, mimo dosahu zápalných zdrojov a horľavých materiálov. Hnojivá alebo iné chemické záhradnícke produkty obsahujú často zložky, ktoré urýchľujú koróziu kovov. Neskladujte prístroj uložený v blízkosti hnojív alebo iných chemikálií.

## 8.4 Opätovné uvedenie do prevádzky

1. Odoberte zapalovaciu sviečku.
2. Vytiahnite štartovacie lanko viackrát rýchlo von, aby ste spaľovaciu komoru vyčistili od zvyškov oleja.
3. Vyčistite kontakty zapalovacej sviečky alebo namontujte novú zapalovaciu sviečku.
4. Naplňte palivovú nádrž. Pozri tiež odsek „Palivo a olej“.
5. Vykonajte kroky 1-7 pod bodom „Studený štart“.

## 8.5 Transport

Ak chcete prístroj prepravovať, vyprázdňte benzínovú nádrž tak, ako je vysvetlené v kapitole „Skladovanie“. Vyčistite prístroj kefou alebo ručnou metličkou od hrubej nečistoty.

## 8.6 Objednávanie náhradných dielov:

Pri objednávaní náhradných dielov je potrebné uviesť nasledovné údaje:

- Typ prístroja
- Výrobné číslo prístroja
- Identifikačné číslo prístroja

Aktuálne ceny a informácie nájdete na stránke: [www.isc-gmbh.info](http://www.isc-gmbh.info)



SK

## 9. Likvidácia a recyklácia

Prístroj sa nachádza v obale za účelom zabránenia poškodeniu pri doprave. Tento obal je vyrobený zo suroviny a tým pádom je ho možné znovu použiť alebo sa môže dať do zberu na recykláciu surovín. Prístroj a jeho príslušenstvo sa skladajú z rôznych materiálov, ako sú napr. kovy a plasty. Poškodené súčiastky odovzdajte na vhodnú likvidáciu špeciálneho odpadu. Informujte sa v odbornej predajni alebo na miestnych úradoch!

## 10.Plán na hľadanie chýb

Porucha	Možná príčina	Odstránenie porúch
Prístroj sa nenašartuje.	<ul style="list-style-type: none"> <li>- Nesprávny postup pri šartovaní.</li> <li>- Zanesená alebo vlhká zapalovacia sviečka.</li> <li>- Nesprávne nastavenie karburátora.</li> </ul>	<ul style="list-style-type: none"> <li>- Dodržiavajte pokyny pre šartovanie.</li> <li>- Vychistite zapalovacu sviečku alebo ju vymeňte za novú (pozri kapitolu 8.2).</li> <li>- Vyhľadajte autorizovaný zákazníkcky servis alebo zariadenie zašlite na ISC-GmbH.</li> </ul>
Prístroj sa našartuje, ale nemá plný výkon.	<ul style="list-style-type: none"> <li>- Nesprávne nastavenie páčky sýtiča.</li> <li>- Znečistený vzduchový filter.</li> <li>- Nesprávne nastavenie karburátora.</li> </ul>	<ul style="list-style-type: none"> <li>- Nastaviť páčku sýtiča (obr. 1/pol. 7) na „♦“.</li> <li>- Vychistiť vzduchový filter (pozri kapitolu 8.2).</li> <li>- Vyhľadajte autorizovaný zákazníkcky servis alebo zariadenie zašlite na ISC-GmbH.</li> </ul>
Motor beží nepravidelne.	<ul style="list-style-type: none"> <li>- Nesprávny odstup elektród zapalovacej sviečky.</li> <li>- Nesprávne nastavenie karburátora.</li> </ul>	<ul style="list-style-type: none"> <li>- Vychistite zapalovacu sviečku a nastavte odstup medzi elektródami alebo nasadte novú zapalovacu sviečku (pozri kapitolu 8.2).</li> <li>- Vyhľadajte autorizovaný zákazníkcky servis alebo zariadenie zašlite na ISC-GmbH.</li> </ul>
Motor nadmerne dymí.	<ul style="list-style-type: none"> <li>- Nesprávna zmes paliva.</li> <li>- Nesprávne nastavenie karburátora.</li> </ul>	<ul style="list-style-type: none"> <li>- Používajte správnu zmes paliva (pozri tabuľka miešania paliva).</li> <li>- Vyhľadajte autorizovaný zákazníkcky servis alebo zariadenie zašlite na ISC-GmbH.</li> </ul>

## 11. Prehlásenie o zhode

**Einhell Germany AG · Wiesenweg 22 · D-94405 Landau/Isar**



### Konformitätserklärung

<b>D</b> erklärt folgende Konformität gemäß EU-Richtlinie und Normen für Artikel	<b>PL</b> deklaruje zgodność wymienionego poniżej artykułu z następującymi normami na podstawie dyrektywy WE.
<b>GB</b> explains the following conformity according to EU directives and norms for the following product	<b>BG</b> декларира съответното съответствие съгласно Директива на ЕС и норми за артикул
<b>F</b> déclare la conformité suivante selon la directive CE et les normes concernant l'article	<b>LV</b> paskaidro šādu atbilstību ES direktīvai un standartiem
<b>I</b> dichiara la seguente conformità secondo la direttiva UE e le norme per l'articolo	<b>LT</b> apibūdina šį atitikimą EU reikalavimams ir prekės normoms
<b>NL</b> verklaart de volgende overeenstemming conform EU richtlijn en normen voor het product	<b>RO</b> declară următoarea conformitate conform directivei UE și normelor pentru articolul
<b>E</b> declara la siguiente conformidad a tenor de la directiva y normas de la UE para el artículo	<b>GR</b> δηλώνει την ακόλουθη συμμόρφωση σύμφωνα με την Οδηγία ΕΚ και τα πρότυπα για το προϊόν
<b>P</b> declara a seguinte conformidade, de acordo com a directiva CE e normas para o artigo	<b>HR</b> potvrđuje sljedeću usklađenost prema smjernicama EU i normama za artikl
<b>DK</b> attesterer følgende overensstemmelse i medfør af EU-direktiv samt standarder for artiklet	<b>IZ</b> izjava o sukladnosti za ovaj proizvod dostupna je na internet stranici www.lidl.hr.
<b>S</b> förklarar följande överensstämmelse enl. EU-direktiv och standarder för artikeln	<b>BIH</b> potvrđuje sljedeću usklađenost prema smjernicama EU i normama za artikl
<b>FIN</b> vakuuttaa, että tuote täyttää EU-direktiivin ja standardien vaatimukset	<b>RS</b> potvrđuje sledeću usklađenost prema smernicama EZ i normama za artikal
<b>EE</b> tõendab toote vastavust EL direktiivile ja standarditele	<b>RUS</b> следующим удостоверяется, что следующие продукты соответствуют директивам и нормам ЕС
<b>CZ</b> vydává následující prohlášení o shodě podle směrnice EU a norem pro výrobek	<b>UKR</b> проголошує про зазначену нижче відповідність виробу директивам та стандартам ЄС на виріб
<b>SLO</b> potrjuje sledečo skladnost s smernico EU in standardi za izdelek	<b>MK</b> ja izjavuва следната сообразност согласно EU-директивата и нормите за артикли
<b>SK</b> vydáva nasledujúce prehlásenie o zhode podľa smernice EU a noriem pre výrobok	<b>TR</b> Ürünü ile ilgili AB direktifleri ve normları gereğince aşağıda açıklanan uygunluğu belirtir
<b>H</b> a cikkekhez az EU-irányvonal és Normák szerint a következő konformitást jelenti ki	<b>N</b> erklærer følgende samsvar i henhold til EU-direktivet og standarder for artikkel
	<b>IS</b> Lysir uppfyllingu EU-reglna og annarra staðla vöru

### Benzin-Rückenlaubbläser FBLB 33 A1 (Florabest)

<input type="checkbox"/> 87/404/EC_2009/105/EC	<input checked="" type="checkbox"/> 2006/42/EC
<input type="checkbox"/> 2005/32/EC_2009/125/EC	<input type="checkbox"/> Annex IV
<input type="checkbox"/> 2006/95/EC	Notified Body:
<input type="checkbox"/> 2006/28/EC	Notified Body No.:
<input checked="" type="checkbox"/> 2004/108/EC	Reg. No.:
<input type="checkbox"/> 2004/22/EC	<input checked="" type="checkbox"/> 2000/14/EC_2005/88/EC
<input type="checkbox"/> 1999/5/EC	<input checked="" type="checkbox"/> Annex V
<input type="checkbox"/> 97/23/EC	<input type="checkbox"/> Annex VI
<input type="checkbox"/> 90/396/EC_2009/142/EC	Noise measured: $L_{WA} = 107$ dB (A); guaranteed $L_{WA} = 111$ dB (A)
<input type="checkbox"/> 89/686/EC_96/58/EC	P = 0,9 KW; L/O = cm
<input type="checkbox"/> 2011/65/EC	Notified Body:
	<input checked="" type="checkbox"/> 2006/28/EC
	Emission No.: e11*97/68SA*2004/26*0643*00

Standard references: EN 15503; EN 14982

Landau/Isar, den 24.05.2012

\_\_\_\_\_  
Weichselgartner/General-Manager

\_\_\_\_\_  
Surv/Product-Management

First CE: 12  
Art.-No.: 34.360.63 I.-No.: 11012  
Subject to change without notice

Archive-File/Record: NAPR005898  
Documents registrar: Robert Mayn  
Wiesenweg 22, D-94405 Landau/Isar

## 12. Záručný list

Vážená zákazníčka, vážený zákazník,  
naše výrobky podliehajú prísnej kontrole kvality. V prípade, že nebude prístroj napriek tomu bezchybne fungovať, je nám to veľmi ľúto a prosíme Vás, aby ste sa obrátili na našu servisnú službu na adrese uvedenej na tomto záručnom liste. Radi Vám budeme k dispozícii taktiež telefonicky na uvedenom servisnom telefónnom čísle. Pri uplatňovaní nárokov na záručné plnenie platia nasledujúce podmienky:

1. Tieto záručné podmienky upravujú dodatočné záručné plnenie. Vaše zákonné nároky na záruku nie sú touto zárukou dotknuté. Naše záručné plnenie je pre Vás zadarmo.
2. Záručné plnenie sa vzťahuje výlučne len na nedostatky, ktoré sú spôsobené chybami materiálu alebo výrobnými chybami, a je obmedzené na odstránenie týchto nedostatkov resp. výmenu prístroja. Prosím, dbajte na to, že naše prístroje neboli svojím určením konštruované na profesionálne, remeselnícke ani priemyselné použitie. Táto záručná zmluva sa preto neuzatvára, ak sa prístroj bude používať v profesionálnych, remeselníckych alebo priemyselných prevádzkach ako aj na činnosti rovnocenné s takýmto použitím. Z našej záruky sú okrem toho vylúčené náhradné plnenie za škody pri transporte, škody spôsobené nedodržaním návodu na montáž alebo na základe neodbornej inštalácie, nedodržaním návodu na použitie (ako napr. pripojením na nesprávne sieťové napätie alebo druh prúdu), zneužívaním alebo nesprávnym používaním (ako napr. preťaženie prístroja alebo použitie neprípustných pracovných nástrojov alebo príslušenstva), nedodržaním pokynov pre údržbu a bezpečnostných pokynov, vniknutím cudzích telies do prístroja (ako napr. piesok, kamene alebo prach), použitím násilnia alebo cudzieho pôsobenia (napr. škody spôsobené pádom), a taktiež je vylúčené bežné opotrebenie primerané použitiu. To sa týka predovšetkým akumulátorov, na ktoré napriek tomu garantujeme záručnú dobu 12 mesiacov. Nárok na záruku zaniká, ak už boli na prístroji svojvoľne uskutočnené zásahy.
3. Doba záruky je 3 roky a začína sa dátumom nákupu prístroja. Nároky na záruku sa musia uplatniť pred koncom uplynutia záručnej doby do dvoch týždňov od zistenia nedostatku. Uplatnenie nárokov na záruku po uplynutí záručnej doby je vylúčené. Oprava alebo výmena prístroja nevedie k predĺženiu záručnej doby ani nedochádza na základe tohto plnenia ku vzniku novej záručnej doby pre prístroj ani pre akékoľvek inštalované náhradné diely. To platí taktiež pri nasadení miestneho servisu.
4. Pre uplatnenie nároku na záruku nám prosím zašlite defektný prístroj oslobodený od poštovného na dole uvedenú adresu. Priložte predajný doklad v origináli alebo iný doklad o zakúpení s dátumom. Prosím, starostlivo si preto uschovajte pokladničný blok ako doklad o zakúpení! Prosím, popíšte nám čo najpresnejšie dôvod reklamácie. Ak spadá defekt prístroja pod naše záručné plnenie, dostanete obratom naspäť opravený alebo nový prístroj.

Samozrejme Vám radi opravíme závady na prístroji na vaše náklady, ak tieto závady nespádajú alebo už nespádajú do rozsahu záruky. Prosím, pošlite nám v takom prípade prístroj na našu servisnú adresu.

**Einhell Slovakia s.r.o.**

Diaľničná cesta 18

SK-903 01 Senec

Tel.: + 421 2 209037 87/88 · Fax: +421 2 45241579

E-mail: servissk@einhell.sk

IAN 76160



## Inhaltsverzeichnis

1. Einleitung .....	49
2. Sicherheitshinweise .....	49
3. Gerätebeschreibung und Lieferumfang .....	50
4. Bestimmungsgemäße Verwendung .....	51
5. Technische Daten .....	51
6. Vor Inbetriebnahme .....	52
7. Bedienung .....	52
8. Reinigung, Wartung, Lagerung, Wiederinbetriebnahme, Transport und Ersatzteilbestellung .....	54
9. Entsorgung und Wiederverwertung .....	55
10. Fehlersuchplan .....	56
11. Konformitätserklärung .....	57
12. Garantiekunde.....	58

Der Nachdruck oder sonstige Vervielfältigung von Dokumentation und Begleitpapieren der Produkte, auch auszugsweise, ist nur mit ausdrücklicher Zustimmung der iSC GmbH zulässig.

Technische Änderungen vorbehalten



## 1. Einleitung

Herzlichen Glückwunsch zum Kauf Ihres neuen Gerätes.

Sie haben sich damit für ein hochwertiges Produkt entschieden. Die Bedienungsanleitung ist Bestandteil dieses Produkts. Sie enthält wichtige Hinweise für Sicherheit, Gebrauch und Entsorgung. Machen Sie sich vor der Benutzung des Produkts mit allen Bedien- und Sicherheitshinweisen vertraut. Benutzen Sie das Produkt nur wie beschrieben und für die angegebenen Einsatzbereiche. Händigen Sie alle Unterlagen bei Weitergabe des Produkts an Dritte mit aus.

## 2. Sicherheitshinweise

### ⚠ **Warnung**

**Lesen Sie alle Sicherheitshinweise und Anweisungen.** Versäumnisse bei der Einhaltung der Sicherheitshinweise und Anweisungen können elektrischen Schlag, Brand und/oder schwere Verletzungen verursachen. **Bewahren Sie alle Sicherheitshinweise und Anweisungen für die Zukunft auf.**

### **Erklärung der Hinweisschilder auf dem Gerät (siehe Bild 9)**

1. Bedienungsanleitung vor Gebrauch des Gerätes lesen
  2. Schutzbrille tragen, um Augen zu schützen  
Ohrschützer zum Schutz gegen Lärm tragen
  3. Warnung! Gefahr!
  4. Halten Sie Umstehende fern!
  5. Warnung! Heisse Oberfläche
  6. Kraftstoffpumpe
  7. Arbeiten Sie nie, während Leute, besonders Kinder oder Tiere, sich im Gefahrenbereich aufhalten.
  8. Schalleistungspegel entsprechend der Richtlinie 2000/14/EC.
  9. Der Motor dreht nach Ausschalten des Gerätes noch nach.
1. Tragen Sie enganliegende, strapazierfähige Arbeitskleidung/ Sicherheitskleidung, diese sollte zweckmäßig sein und darf nicht behindern (lange Hose oder Kombianzug). Tragen Sie des Weiteren Sicherheitsarbeitsschuhe, feste Handschuhe, Schutzhelm, Gesichtsschutz und Schutzbrille zum Schutz der Augen und Gehörschutzstöpsel oder ähnlichen Gehörschutz.
  2. Kraftstoff auffüllen an einem sicheren Ort. Tankverschluss vorsichtig öffnen, damit bestehender Überdruck sich langsam abbauen kann und kein Kraftstoff herausspritzt. Vor dem Starten des Motors säubern Sie das Motorgerät von eventuellen Kraftstoff- oder Ölrückständen. Starten Sie den Motor mindestens 3m vom Ort des Tankens entfernt.
  3. Schalten Sie den Motor des Geräts stets aus, wenn Sie es abstellen und bevor Sie Arbeiten am Gerät durchführen.
  4. Überprüfen Sie den festen Sitz aller Schrauben und Verschlüsse. Das Gerät darf nur in betriebsicherem Zustand benutzt werden. Benutzen Sie das Gerät niemals, wenn es nicht ordnungsgemäß eingestellt und komplett und sicher zusammengebaut ist.
  5. Halten Sie die Griffe trocken, sauber und frei von Kraftstoffmischung.
  6. Lagern Sie das Gerät und Zubehör sicher und geschützt vor offenen Flammen und Hitze-/ Funkenquellen, wie Gasdurchlauferhitzer, Wäschetrockner, Ölöfen oder tragbare Radiatoren, etc..
  7. Halten Sie den Motor frei von Schmutz.
  8. Nur ausreichend geschulte Personen und Erwachsene dürfen das Gerät bedienen, einstellen und warten.
  9. Bedienpersonal mit Atemwegsproblemen und Personen, die in einer sehr staubigen Umgebung arbeiten, sollten stets eine hochwertige Staubmaske tragen. Papierstaubmasken sind erhältlich in gängigen Farb- und Haushaltwarengeschäften.
  10. Arbeiten Sie mit dem Gerät nur zu angemessenen Zeiten. Nicht früh morgens oder spät abends, wenn Leute gestört werden könnten. Beachten Sie die örtlichen Lärmschutzverordnungen.

11. Lassen Sie das Gerät mit der niedrigst möglichen Motordrehzahl laufen, um die Arbeit zu erledigen.
12. Befreien Sie das Gerät vor dem Arbeiten mit Besen und Kratzeisen vor Verunreinigungen.
13. Bei staubigen Bedingungen befeuchten Sie die Oberfläche etwas.
14. Verwenden Sie die volle Gebläsedüseverlängerung, so dass der Luftstrom nah am Boden arbeiten kann.
15. Schauen Sie nach Kindern, Haustieren, offenen Fenstern etc. und blasen Sie den Schmutz sicher weg.
16. Nicht rauchen, wenn Sie den Kraftstoff auffüllen oder das Gerät bedienen.
17. Bedienen Sie das Gerät niemals ohne Schalldämpfer und ordnungsgemäß installierter Auspuffschutzhaube.
18. Halten Sie Ihre Hände oder Körperteile fern von Auspuff und Zündkabel.
19. Das Motorgerät erzeugt giftige Abgase, sobald der Motor läuft. Arbeiten Sie niemals in geschlossenen oder schlecht belüfteten Räumen.
20. Niemals in Richtung anderer Personen, Tiere, Gebäude, Fahrzeuge oder Fenster, etc. blasen! Das Motorgerät kann kleine Gegenstände mit großer Geschwindigkeit hochschleudern.
21. Bedienen Sie das Gerät niemals ohne Blasrohrschutz, um einen Kontakt mit dem Gebläse zu vermeiden.
22. Setzen Sie den heißen Motor nicht in der Nähe von leicht entflammaren Gegenständen/ Materialien ab.
23. Benutzen Sie das Gerät nicht über einen längeren Zeitraum, machen Sie regelmäßig Pause.
24. Benutzen Sie das Gerät niemals unter Alkohol- oder Drogeneinfluss.

**WARNUNG:** Jegliche Veränderungen, Zusätze oder Entfernungen an dem Gerät können die persönliche Sicherheit gefährden und lassen die Lieferantengarantie verfallen.

25. Benutzen Sie das Gerät niemals in der Nähe von leicht entflammaren Flüssigkeiten oder Gasen, weder in geschlossenen Räumen noch Außen. Explosionen und/ oder Brand können die Folge sein.
26. Tragen Sie keine Kleidung, keinen Schal, keine Krawatte, keinen Schmuck, die in die Luftansaugöffnung gelangen können. Lange Haare zusammenbinden und sichern (z.B. Kopftuch, Mütze, Helm etc.).
27. Tanken Sie niemals bei laufendem oder heißem Motor.
28. Erlauben Sie niemals Kindern unter 14 Jahren das Gerät zu bedienen.

**Bewahren Sie die Sicherheitshinweise gut auf.**

### 3. Gerätebeschreibung und Lieferumfang

#### 3.1 Gerätebeschreibung (Bild 1)

1. Handgriff
2. Gashebel
3. Gashebelarretierung
4. Ein- / Ausschalter
5. Zündkerzenstecker
6. Luftfilterdeckel
7. Choke – Hebel
8. Startergriff (Starterseil)
9. Benzintank
10. Kraftstoffpumpe (Primer)
11. Motoreinheit
12. flexibler Blasschlauch
13. oberes Blasrohr
14. unteres Blasrohr
15. Blasdüse (große Öffnung)
16. Blasdüse (kleine Öffnung)
17. Zündkerzenschlüssel
18. Benzin-/ Ölmischflasche
19. Sechskantschlüssel
20. Gabelschlüssel

### 3.2 Lieferumfang

- Öffnen Sie die Verpackung und nehmen Sie das Gerät vorsichtig aus der Verpackung.
- Entfernen Sie das Verpackungsmaterial sowie Verpackungs- und Transportsicherungen (falls vorhanden).
- Überprüfen Sie, ob der Lieferumfang vollständig ist.
- Kontrollieren Sie das Gerät und die Zubehörteile auf Transportschäden.
- Bewahren Sie die Verpackung nach Möglichkeit bis zum Ablauf der Garantiezeit auf.

#### Achtung!

**Gerät und Verpackungsmaterial sind kein Kinderspielzeug! Kinder dürfen nicht mit Kunststoffbeuteln, Folien und Kleinteilen spielen! Es besteht Verschluckungs- und Erstickungsgefahr!**

### 4. Bestimmungsgemäße Verwendung

Das Gerät ist zur Reinigung von Gehwegen, Hofeinfahrten und sonstigen Wegen geeignet. Eine anderweitige Verwendung, wie z.B. das Aufblasen von Gegenständen ist nicht erlaubt.

Das Gerät darf nur nach dessen Bestimmung verwendet werden. Jede weitere darüber hinausgehende Verwendung ist nicht bestimmungsgemäß. Für daraus hervorgerufene Schäden oder Verletzungen aller Art haftet der Benutzer/Bediener und nicht der Hersteller.

Bitte beachten Sie, dass unsere Geräte bestimmungsgemäß nicht für den gewerblichen, handwerklichen oder industriellen Einsatz konstruiert wurden. Wir übernehmen keine Gewährleistung, wenn das Gerät in Gewerbe-, Handwerks- oder Industriebetrieben sowie bei gleichzusetzenden Tätigkeiten eingesetzt wird.

### 5. Technische Daten

Motortyp .....	2-Takt-Motor; luftgekühlt
Motorleistung (max.) .....	0,9 kW / 1,22 PS
Hubraum .....	33 ccm
Max. Drehzahl Motor .....	8500 min <sup>-1</sup>
Zündung.....	elektronisch
Gewicht (leerer Tank) .....	6,3 kg
Tankinhalt .....	650 ml
Zündkerze.....	RCJ6Y
Maximale Luftgeschwindigkeit .....	250 km/h

#### Geräusch und Vibration

Schalldruckpegel L <sub>pA</sub> .....	97 dB(A)
Unsicherheit K <sub>pA</sub> .....	1,5 dB
Schallleistungspegel L <sub>WA</sub> .....	111 dB(A)
Unsicherheit K <sub>WA</sub> .....	1,5 dB

#### Tragen Sie einen Gehörschutz.

Die Einwirkung von Lärm kann Gehörverlust bewirken.

#### Betrieb

Schwingungsemissionswert a<sub>n</sub> = 3,87 m/s<sup>2</sup>  
 Unsicherheit K = 1,5 m/s<sup>2</sup>

Die Geräusch- und Vibrationswerte wurden entsprechend 2000/14/EC ermittelt.

Die Geräusch- und Vibrationswerte wurden bei Höchstdrehzahl ermittelt.

#### Beschränken Sie die Geräuschentwicklung und Vibration auf ein Minimum!

- Verwenden Sie nur einwandfreie Geräte.
- Warten und reinigen Sie das Gerät regelmäßig.
- Passen Sie Ihre Arbeitsweise dem Gerät an.
- Überlasten Sie das Gerät nicht.
- Lassen Sie das Gerät gegebenenfalls überprüfen.
- Schalten Sie das Gerät aus, wenn es nicht benutzt wird.
- Tragen Sie Handschuhe.

## 6. Vor Inbetriebnahme

### 6.1 Blasrohrmontage (Abb. 2-3)

Vor Erstinbetriebnahme muss das Gerät wie folgt zusammengebaut werden:

- Vor Erstinbetriebnahme den Pappe- Transportschutz, wie in Abbildung 2 zu sehen entfernen.
- Den flexiblen Blasschlauch (Abb. 2a/ Pos. 12) über den Anschluss an der Motoreinheit schieben und die Schlauchschelle (Abb. 2a/ Pos. A) fest anziehen.
- Nun den Handgriff (Abb. 2b/Pos. 1) über das obere Blasrohr (Abb. 2b/Pos. 13) schieben.
- Den Handgriff (Abb. 2c/Pos. 1) und den Anschlag (Abb. 2c/Pos. B) wie in Abbildung 2c zu sehen gleich ausrichten und den Handgriff festschrauben.
- Den flexiblen Ring ( Abb. 2c/Pos. C) in Mittelstellung bringen, so dass dieser in Drehrichtung links und rechts gleich viel Abstand zum Anschlag B hat.
- Nun das obere Blasrohr (Abb. 2c/ Pos. 13) in den flexiblen Blasschlauch (Abb. 2c/ Pos. 12) schieben und mit der Schlauchschelle (Abb. 2c/ Pos. D) fixieren.
- Den Kabelschlauch mit dem Haltebügel (Abb. 3/Pos. E) an dem flexiblen Blasschlauch (Abb. 3/Pos. 12) fixieren.
- Das untere Blasrohr (Abb. 3a/ Pos. 14) über das obere Blasrohr (Abb. 3a/Pos. 13) schieben und durch Drehen im Uhrzeigersinn arretieren.
- Es kann entweder die Blasdüse mit großer oder kleiner Öffnung montiert werden. Die Blasdüsen über das Blasrohr schieben und durch Drehen im Uhrzeigersinn arretieren.

### 6.2 Treibstoff und Öl

Benutzen Sie nur ein Gemisch aus bleifreiem Benzin und speziellem 2-Takt-Motoröl. Mischen Sie das Treibstoffgemisch nach der Treibstoff-Mischtabelle an.

**Achtung:** Verwenden Sie kein Treibstoffgemisch, das mehr als 90 Tage lang gelagert wurde.

**Achtung:** Verwenden Sie kein 2-Takt-Öl das ein Mischverhältnis von 100:1 empfiehlt. Bei Moto-

renschäden auf Grund ungenügender Schmierung entfällt die Motorgarantie des Herstellers.

**Achtung:** Verwenden Sie zum Transport und zur Lagerung von Kraftstoff nur dafür vorgesehene und zugelassene Behälter.

Geben Sie jeweils die richtige Menge Benzin und 2-Takt-Öl in die beiliegende Mischflasche (siehe aufgedruckte Skala). Schütteln Sie anschließend den Behälter gut durch.

### 6.3 Treibstoff-Misch-Tabelle

Mischverfahren: 40 Teile Benzin auf 1 Teil Öl



Benzin	2-Takt-Öl
1 Liter	25 ml
5 Liter	125 ml

## 7. Bedienung

Beachten Sie bitte die gesetzlichen Bestimmungen zur Lärmschutzverordnung, die örtlich unterschiedlich sein können.

### 7.1 Kaltstart (4a-4b)

Füllen Sie den Tank mit einer angemessenen Menge Benzin-/Ölgemisch. Siehe auch „Treibstoff und Öl.“

1. Gerät sicher und fest auf den Boden stellen.
2. Ein-/ Ausschalter (4) auf „ON“ stellen (Abb. 4a)
3. Kraftstoffpumpe (10) 10x drücken (Abb. 4b).
4. Chokehebel (7) auf „“ stellen.
5. Gerät am Haltegriff gut festhalten.
6. Starterseil (8) ein kurzes Stück herausziehen, bis Sie einen Widerstand spüren. Ein gleichmäßiges, schnelles Ziehen ist erforderlich um den Motor zu starten. Läuft der Motor, den Chokehebel auf „“ stellen.
7. Den Motor zum Aufwärmen für ca. 10 Sekunden laufen lassen.

**Hinweis:** Startet der Motor nach wiederholten Versuchen nicht, verfahren Sie bitte wie in Kapitel „Fehlersuchplan“.

**Hinweis:** Ziehen Sie das Starterseil immer gerade heraus. Bei schrägem Herausziehen reißt das Seil an der Öse. Diese Reibung verursacht

ein Aufspalten des Fadens und somit höheren Verschleiß. Halten Sie den Startergriff immer fest, wenn das Seil zurückgezogen wird. Achten Sie darauf, dass das Seil nicht zurückschnellt wenn es herausgezogen war. Dies könnte ein Verhaken/ höheren Verschleiß des Seils und/ oder einen Schaden am Startergehäuse hervorrufen.

### 7.2 Warmstart (Motor abgestellt für nicht mehr als 15- 20 Minuten)

1. Stellen Sie den Ein-/Ausschalter (Abb. 1/ Pos. 4) auf „On“ und ziehen Sie am Starterseil (Abb. 1/Pos. 8). Der Motor sollte mit ein oder zwei Zügen starten. Startet der Motor nach 6-maligem Ziehen nicht, wiederholen Sie die Schritte 2 bis 6 siehe Kapitel „Kaltstart“.
2. Wenn der Motor nicht startet, oder startet und nach mehreren Zügen wieder stoppt, folgen Sie den Anweisungen im Kapitel „Kaltstart“.

### 7.3 Motor abstellen Not-Aus Schrittfolge:

Wenn es notwendig ist das Blasgerät unmittelbar zu stoppen (Notfall!), schalten Sie den Zündschalter (Abb. 1/Pos. 4) auf „OFF“.

### Normale Schrittfolge:

Zum Abstellen des Motors, die Gashebelarretierung zurückschieben, so dass der Motor im Leerlauf läuft. Anschließend den Ein-/Ausschalter (Abb. 1/Pos. 4) auf „OFF“ stellen.

### 7.4 Blasbetrieb

Ihr Laubblasgerät ist geeignet zum Freiblasen von Terrassen, Gehwegen, Rasen, Sträuchern und vielen schwer zugänglichen Flächen, wo sich Schmutz ansammeln kann.

Bevor Sie das Gerät bedienen, lesen Sie zu Ihrer eigenen Sicherheit bitte noch mal alle Sicherheitshinweise und Gebrauchsanweisungen der vorliegenden Bedienungsanleitung durch.

Benutzen Sie das Gerät nicht, wenn Umherstehende oder Tiere sich in unmittelbarer Nähe befinden. Halten Sie einen Mindestabstand von 10m zu anderen Personen oder Tieren.

Tragen Sie bei Arbeiten in einer sehr staubigen Umgebung eine Staub-/Atemmaske.

Um die Blasrichtung besser zu steuern, halten Sie stets einen ausreichenden Abstand von dem wegzublasenden Material. Blasen Sie niemals in Richtung Umherstehender.

Bevor Sie das Gerät verwenden, lösen bzw. entfernen Sie von der zu reinigenden Fläche Fremdkörper mit einem Rechen oder Besen um, Verletzungen auszuschließen.

Steuern Sie die Luftstromgeschwindigkeit durch Bedienen des Gashebels zwischen Leerlauf- und Vollgasstellung. Testen Sie unterschiedliche Gashebelstellungen, um die optimale Luftstromgeschwindigkeit für die jeweiligen Anwendungen zu finden.

**Achtung:** Zum Schutz vor aufgewirbelten oder weg geschleuderten Gegenständen tragen Sie stets eine Schutzbrille oder einen Gesichtsschutz.

**Achtung:** Führen Sie das Gerät stets so, dass die heißen Abgase nicht in Kontakt mit Ihrer Kleidung kommen und diese beschädigen oder vom Benutzer eingeatmet werden.

### Um das Gerät zu Bedienen:

Folgen Sie den Motorstartanweisungen wie im Kapitel 7.1 bzw. 7.2 beschrieben.

Lassen Sie den Motor im Leerlauf laufen und legen Sie das Gerät wie in Abbildung 5 zu sehen an. Achten sie darauf, dass nichts den Auspuff verdeckt, da dieser Hitze erzeugt.

Halten Sie den Handgriff mit der rechten Hand fest (Abb. 6) und schwingen Sie das Blasrohr hin und her, so dass die gewünschte Fläche von Verunreinigung befreit wird.

Im Handgriff (Abb. 4a/Pos. 1) sind der Gashebel (Abb. 4a/Pos. 2) und der Ein- /Ausschalter (Abb. 4a/Pos. 4) integriert.

Mit der Gashebelarretierung (Abb. 4a/Pos. 3) kann der Motor auf Vollgas arretiert werden ohne ständig den Gashebel zu drücken.

**Achtung:** Vor dem Ausschalten des Geräts die Gashebelarretierung auf Standgas zurück schieben.

## 8. Reinigung, Wartung, Lagerung, Wiederinbetriebnahme, Transport und Ersatzteilbestellung

Schalten Sie das Gerät vor Wartungsarbeiten immer aus und ziehen Sie den Zündkerzenstecker ab.

### 8.1 Reinigung

- Halten Sie Schutzvorrichtungen, Luftschlitze und Motorenhäuser so staub- und schmutzfrei wie möglich. Reiben Sie das Gerät mit einem sauberen Tuch ab oder blasen Sie es mit Druckluft bei niedrigem Druck aus.
- Wir empfehlen, dass Sie das Gerät direkt nach jeder Benutzung reinigen.
- Reinigen Sie das Gerät regelmäßig mit einem feuchten Tuch und etwas Schmierseife. Verwenden Sie keine Reinigungs- oder Lösungsmittel; diese könnten die Kunststoffteile des Gerätes angreifen. Achten Sie darauf, dass kein Wasser in das Geräteinnere gelangen kann.

### 8.2 Wartung

#### Wartung des Luftfilters (Abb. 7a-7b)

Verschmutzte Luftfilter verringern die Motorleistung durch zu geringe Luftzufuhr zum Vergaser. Regelmäßige Kontrolle ist daher unerlässlich. Der Luftfilter sollte alle 25 Betriebsstunden kontrolliert werden und bei Bedarf gereinigt werden. Bei sehr staubiger Luft ist der Luftfilter häufiger zu überprüfen.

1. Entfernen Sie den Luftfilterdeckel (Abb. 7a)
2. Entnehmen Sie das Filterelement (Abb. 7b)
3. Reinigen Sie das Filterelement durch Ausklopfen oder Ausblasen.
4. Der Zusammenbau erfolgt in umgekehrter Reihenfolge.

**Achtung:** Luftfilter nie mit Benzin oder brennbaren Lösungsmitteln reinigen.

### Wartung der Zündkerze (Abb. 8a-8b)

Zündkerzenfunkenstrecke = 0,6 mm. Ziehen Sie die Zündkerze mit 12 bis 15 Nm an. Überprüfen Sie die Zündkerze erstmals nach 10 Betriebsstunden auf Verschmutzung und reinigen Sie diese gegebenenfalls mit einer Kupferdrahtbürste. Danach die Zündkerze alle 50 Betriebsstunden warten.

1. Ziehen Sie den Zündkerzenstecker (Abb. 8a) mit einer Drehbewegung ab.
2. Entfernen Sie die Zündkerze (Abb. 8b) mit dem beiliegenden Zündkerzenschlüssel.
3. Der Zusammenbau erfolgt in umgekehrter Reihenfolge.

### 8.3 Lagerung

**Achtung:** Ein Fehler bei der Befolgung dieser Schritte kann zur Folge haben, dass sich Ablagerungen an der Vergaserinnenwand bilden, was ein erschwertes Anlassen oder einen dauerhaften Schaden an dem Gerät zur Folge haben kann.

1. Führen Sie alle allgemeinen Wartungsarbeiten durch, welche im Abschnitt „Wartung“ in der Bedienungsanleitung stehen.
2. Lassen Sie den Treibstoff aus dem Tank ab (Benutzen Sie hierzu eine handelsübliche Kunststoff-Benzinpumpe).
3. Nachdem der Treibstoff abgelassen ist, starten Sie das Gerät.
4. Lassen Sie das Gerät im Leerlauf weiterlaufen bis sie stoppt. Das reinigt den Vergaser vom restlichen Treibstoff.
5. Lassen Sie das Gerät abkühlen. (ca. 5 Minuten)
6. Entfernen Sie die Zündkerze.
7. Füllen Sie eine Teelöffel große Menge 2-Takt-Motoröl in den Verbrennungsraum. Ziehen Sie einige Male vorsichtig den Startseilzug heraus, um die inneren Bauteile mit dem Öl zu benetzen. Setzen Sie die Zündkerze wieder ein.
8. Säubern Sie das äußere Gehäuse des Geräts.
9. Bewahren Sie das Gerät an einem kalten, trockenen Platz außerhalb der Reichweite von Zündquellen und brennbaren Substanzen auf. Düngemittel oder andere chemische Gartenprodukte beinhalten häufig Substanzen, welche die Korrosion von Metallen beschleunigen. Lagern Sie das Gerät nicht auf oder

in der Nähe von Düngemittel oder anderen Chemikalien.

#### **8.4 Wiederinbetriebnahme**

1. Entfernen Sie die Zündkerze.
2. Ziehen Sie den Startseilzug mehrmals heraus, um den Verbrennungsraum von Ölrückständen zu reinigen.
3. Säubern Sie die Zündkerzenkontakte oder setzen Sie eine neue Zündkerze ein.
4. Füllen Sie den Tank. Siehe Abschnitt „Treibstoff und Öl“.
5. Führen Sie die Schritte 1-7 unter Punkt „Kaltstart“ durch.

#### **8.5 Transport**

Wenn Sie das Gerät transportieren möchten, entleeren Sie den Benzintank wie im Kapitel „Lagerung“ erklärt. Reinigen Sie das Gerät mit einer Bürste oder einem Handfeger von grobem Schmutz.

#### **8.6 Ersatzteilbestellung:**

Bei der Ersatzteilbestellung sollten folgende Angaben gemacht werden:

- Typ des Gerätes
- Artikelnummer des Gerätes
- Ident-Nummer des Gerätes

Aktuelle Preise und Infos finden Sie unter:

[www.isc-gmbh.info](http://www.isc-gmbh.info)

## **9. Entsorgung und Wiederverwertung**

Das Gerät befindet sich in einer Verpackung, um Transportschäden zu verhindern. Diese Verpackung ist Rohstoff und ist somit wieder verwendbar oder kann dem Rohstoffkreislauf zurückgeführt werden. Das Gerät und dessen Zubehör bestehen aus verschiedenen Materialien, wie z.B. Metall und Kunststoffe. Führen Sie defekte Bauteile der Sondermüllentsorgung zu. Fragen Sie im Fachgeschäft oder in der Gemeindeverwaltung nach!

## 10. Fehlersuchplan

Störung	Mögliche Ursache	Störungsbehebung
Das Gerät springt nicht an.	<ul style="list-style-type: none"> <li>- Fehlerhaftes Vorgehen beim Starten.</li> <li>- Verrußte oder feuchte Zündkerze.</li> <li>- Falsche Vergasereinstellung.</li> </ul>	<ul style="list-style-type: none"> <li>- Folgen Sie den Anweisungen zum Starten.</li> <li>- Zündkerze reinigen oder durch neue ersetzen. (siehe Kapitel 8.2)</li> <li>- Autorisierten Kundendienst aufsuchen, oder das Gerät an die ISC-GmbH senden.</li> </ul>
Das Gerät springt an, hat aber nicht die volle Leistung.	<ul style="list-style-type: none"> <li>- Falsche Einstellung des Chochebels.</li> <li>- Verschmutzter Luftfilter.</li> <li>- Falsche Vergasereinstellung.</li> </ul>	<ul style="list-style-type: none"> <li>- Chochebel (Abb. 1/Pos. 7) auf „<math>\uparrow</math>“ stellen.</li> <li>- Luftfilter reinigen. (siehe Kapitel 8.2)</li> <li>- Autorisierten Kundendienst aufsuchen, oder das Gerät an die ISC-GmbH senden.</li> </ul>
Der Motor läuft unregelmäßig.	<ul style="list-style-type: none"> <li>- Falscher Elektrodenabstand der Zündkerze.</li> <li>- Falsche Vergasereinstellung.</li> </ul>	<ul style="list-style-type: none"> <li>- Zündkerze reinigen und Elektrodenabstand einstellen oder neue Zündkerze einsetzen. (siehe Kapitel 8.2)</li> <li>- Autorisierten Kundendienst aufsuchen, oder das Gerät an die ISC-GmbH senden.</li> </ul>
Motor raucht übermäßig.	<ul style="list-style-type: none"> <li>- Falsche Treibstoffmischung.</li> <li>- Falsche Vergasereinstellung.</li> </ul>	<ul style="list-style-type: none"> <li>- Richtige Treibstoffmischung verwenden (siehe Treibstoff-Misch-Tabelle).</li> <li>- Autorisierten Kundendienst aufsuchen, oder das Gerät an die ISC-GmbH senden.</li> </ul>



**11. Konformitätserklärung****Einhell Germany AG · Wiesenweg 22 · D-94405 Landau/Isar****Konformitätserklärung**

<b>D</b> erklärt folgende Konformität gemäß EU-Richtlinie und Normen für Artikel	<b>PL</b> deklaruje zgodność wymienionego poniżej artykułu z następującymi normami na podstawie dyrektywy WE.
<b>GB</b> explains the following conformity according to EU directives and norms for the following product	<b>BG</b> декларира съответното съответствие съгласно Директива на ЕС и норми за артикул
<b>F</b> déclare la conformité suivante selon la directive CE et les normes concernant l'article	<b>LV</b> paskaidro šādu atbilstību ES direktīvai un standartiem
<b>I</b> dichiara la seguente conformità secondo la direttiva UE e le norme per l'articolo	<b>LT</b> apibūdina šį atitikimą EU reikalavimams ir prekės normoms
<b>NL</b> verklaart de volgende overeenstemming conform EU richtlijn en normen voor het product	<b>RO</b> declară următoarea conformitate conform directivei UE și normelor pentru articolul
<b>E</b> declara la siguiente conformidad a tenor de la directiva y normas de la UE para el artículo	<b>GR</b> δηλώνει την ακόλουθη συμμόρφωση σύμφωνα με την Οδηγία ΕΚ και τα πρότυπα για το προϊόν
<b>P</b> declara a seguinte conformidade, de acordo com a directiva CE e normas para o artigo	<b>HR</b> potvrđuje sljedeću usklađenost prema smjernicama EU i normama za artikl Izjava o sukladnosti za ovaj proizvod dostupna je na internet stranici www.lidl.hr.
<b>DK</b> attesterer følgende overensstemmelse i medfør af EU-direktiv samt standarder for artikel	<b>BIH</b> potvrđuje sljedeću usklađenost prema smjernicama EU i normama za artikl
<b>S</b> förklarar följande överensstämmelse enl. EU-direktiv och standarder för artikeln	<b>RS</b> potvrđuje sledeću usklađenost prema smernicama EZ i normama za artikl
<b>FIN</b> vakuuttaa, että tuote täyttää EU-direktiivin ja standardien vaatimukset	<b>RUS</b> следующим удостоверяется, что следующие продукты соответствуют директивам и нормам ЕС
<b>EE</b> tõendab toote vastavust EL direktiivile ja standarditele	<b>UKR</b> проголошує про зазначену нижче відповідність виробу директивам та стандартам ЄС на виріб
<b>CZ</b> vydává následující prohlášení o shodě podle směrnice EU a norem pro výrobek	<b>MK</b> ja izjavuва следната сообразност согласно EU-директивата и нормите за артикли
<b>SLO</b> potrjuje sledečo skladnost s smernico EU in standardi za izdelek	<b>TR</b> Ürünü ile ilgili AB direktifleri ve normları gereğince aşağıda açıklanan uygunluğu belirtir
<b>SK</b> vydáva nasledujúce prehlásenie o zhode podľa smernice EÚ a noriem pre výrobok	<b>N</b> erklærer følgende samsvar i henhold til EU-direktivet og standarder for artikkel
<b>H</b> a cikkekhez az EU-irányvonal és Normák szerint a következő konformitást jelenti ki	<b>IS</b> Lysir uppfyllingu EU-reglna og annarra staðla vöru

**Benzin-Rückenlaubbläser FBLB 33 A1 (Florabest)**

<input type="checkbox"/> 87/404/EC_2009/105/EC	<input checked="" type="checkbox"/> 2006/42/EC
<input type="checkbox"/> 2005/32/EC_2009/125/EC	<input type="checkbox"/> Annex IV Notified Body: Notified Body No.: Reg. No.:
<input type="checkbox"/> 2006/95/EC	
<input type="checkbox"/> 2006/28/EC	<input checked="" type="checkbox"/> 2000/14/EC_2005/88/EC
<input checked="" type="checkbox"/> 2004/108/EC	<input checked="" type="checkbox"/> Annex V
<input type="checkbox"/> 2004/22/EC	<input type="checkbox"/> Annex VI Noise measured: L <sub>WA</sub> = 107 dB (A); guaranteed L <sub>WA</sub> = 111 dB (A) P = 0,9 KW; L/Ø = cm Notified Body:
<input type="checkbox"/> 1999/5/EC	
<input type="checkbox"/> 97/23/EC	<input checked="" type="checkbox"/> 2006/28/EC Emission No.: e11*97/68SA*2004/26*0643*00
<input type="checkbox"/> 90/396/EC_2009/142/EC	
<input type="checkbox"/> 89/686/EC_96/58/EC	
<input type="checkbox"/> 2011/65/EC	

**Standard references: EN 15503; EN 14982**

Landau/Isar, den 24.05.2012

Weichselgartner/General-Manager

Sun/Product-Management

First CE: 12  
Art.-No.: 34.360.63 I.-No.: 11012  
Subject to change without notice

Archive-File/Record: NAPR005898  
Documents registrar: Robert Mayn  
Wiesenweg 22, D-94405 Landau/Isar

## 12. Garantieurkunde

Sehr geehrte Kundin, sehr geehrter Kunde,  
unsere Produkte unterliegen einer strengen Qualitätskontrolle. Sollte dieses Gerät dennoch einmal nicht einwandfrei funktionieren, bedauern wir dies sehr und bitten Sie, sich an unseren Servicedienst unter der auf dieser Garantiekarte angegebenen Adresse zu wenden. Gern stehen wir Ihnen auch telefonisch über die unten angegebene Servicenummer zur Verfügung. Für die Geltendmachung von Garantieansprüchen gilt folgendes:

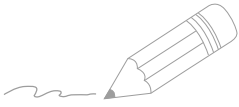
1. Diese Garantiebedingungen regeln zusätzliche Garantieleistungen. Ihre gesetzlichen Gewährleistungsansprüche werden von dieser Garantie nicht berührt. Unsere Garantieleistung ist für Sie kostenlos.
2. Die Garantieleistung erstreckt sich ausschließlich auf Mängel, die auf Material- oder Herstellungsfehler zurückzuführen sind und ist auf die Behebung dieser Mängel bzw. den Austausch des Gerätes beschränkt. Bitte beachten Sie, dass unsere Geräte bestimmungsgemäß nicht für den gewerblichen, handwerklichen oder industriellen Einsatz konstruiert wurden. Ein Garantievertrag kommt daher nicht zustande, wenn das Gerät in Gewerbe-, Handwerks- oder Industriebetrieben sowie bei gleichzusetzenden Tätigkeiten eingesetzt wird. Von unserer Garantie sind ferner Ersatzleistungen für Transportschäden, Schäden durch Nichtbeachtung der Montageanleitung oder aufgrund nicht fachgerechter Installation, Nichtbeachtung der Gebrauchsanleitung (wie durch z.B. Anschluss an eine falsche Netzspannung oder Stromart), missbräuchliche oder unsachgemäße Anwendungen (wie z.B. Überlastung des Gerätes oder Verwendung von nicht zugelassenen Einsatzwerkzeugen oder Zubehör), Nichtbeachtung der Wartungs- und Sicherheitsbestimmungen, Eindringen von Fremdkörpern in das Gerät (wie z.B. Sand, Steine oder Staub), Gewalteinwirkung oder Fremdeinwirkungen (wie z. B. Schäden durch Herunterfallen) sowie durch verwendungsgemäßen, üblichen Verschleiß ausgeschlossen. Dies gilt insbesondere für Akkus, auf die wir dennoch eine Garantiezeit von 12 Monaten gewähren. Der Garantieanspruch erlischt, wenn an dem Gerät bereits Eingriffe vorgenommen wurden.
3. Die Garantiezeit beträgt 3 Jahre und beginnt mit dem Kaufdatum des Gerätes. Garantieansprüche sind vor Ablauf der Garantiezeit innerhalb von zwei Wochen, nachdem Sie den Defekt erkannt haben, geltend zu machen. Die Geltendmachung von Garantieansprüchen nach Ablauf der Garantiezeit ist ausgeschlossen. Die Reparatur oder der Austausch des Gerätes führt weder zu einer Verlängerung der Garantiezeit noch wird eine neue Garantiezeit durch diese Leistung für das Gerät oder für etwaige eingebaute Ersatzteile in Gang gesetzt. Dies gilt auch bei Einsatz eines Vor-Ort-Services.
4. Für die Geltendmachung Ihres Garantieanspruches übersenden Sie bitte das defekte Gerät portofrei an die unten angegebene Adresse. Fügen Sie den Verkaufsbeleg im Original oder einen sonstigen datierten Kaufnachweis bei. Bitte bewahren Sie deshalb den Kassenbon als Nachweis gut auf! Beschreiben Sie uns bitte den Reklamationsgrund möglichst genau. Ist der Defekt des Gerätes von unserer Garantieleistung erfasst, erhalten Sie umgehend ein repariertes oder neues Gerät zurück.

Selbstverständlich beheben wir gegen Erstattung der Kosten auch gerne Defekte am Gerät, die vom Garantiumfang nicht oder nicht mehr erfasst sind. Dazu senden Sie das Gerät bitte an unsere Serviceadresse.

IAN 76160



Two horizontal lines are positioned to the right of the pencil illustration. Below these, the page contains 25 additional horizontal lines, providing a total of 27 lines for writing.



Two horizontal lines are positioned to the right of the pencil illustration. Below these, the page contains 25 additional horizontal lines, providing a total of 27 lines for writing.



Two horizontal lines are positioned to the right of the pencil illustration. Below these, the page contains 25 additional horizontal lines, providing a total of 27 lines for writing.



IAN: 76160 FBLB 33 A1

**Einhell Germany AG**

Wiesenweg 22

D-94405 Landau/Isar

Last Information Update · Stanje informacij · Stav informací

Stav informácií · Stand der Informationen: 06/2012

Ident.-No.: 34.360.63 062012 - 4

IAN 76160

