



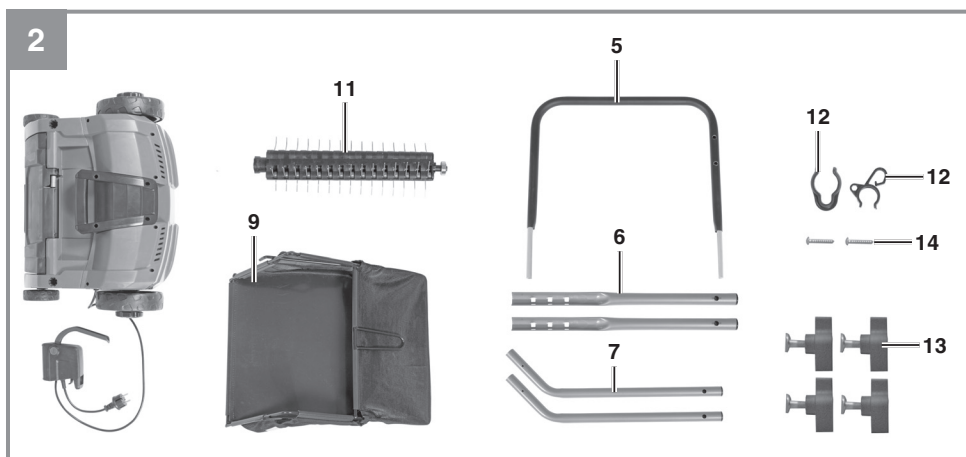
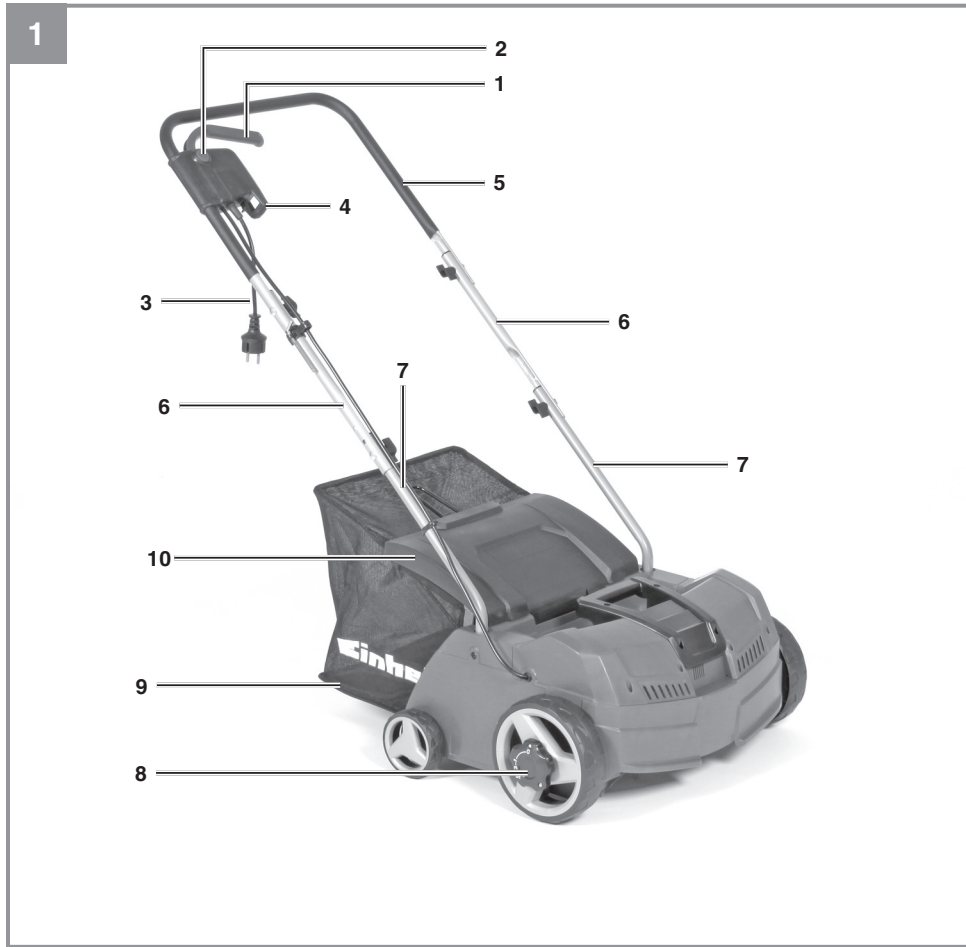
GC-SA 1231/1

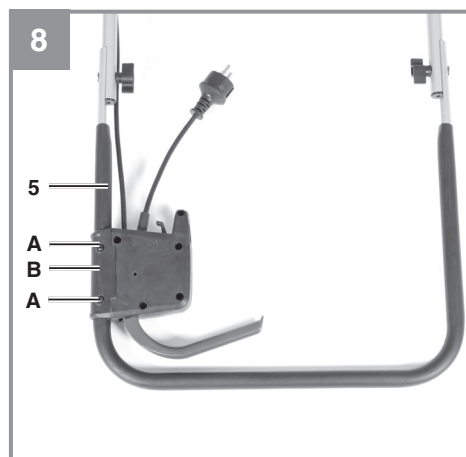
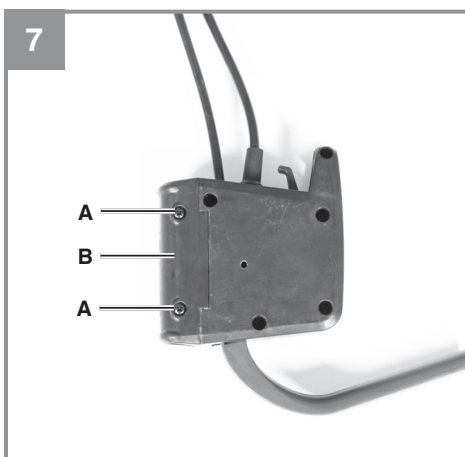
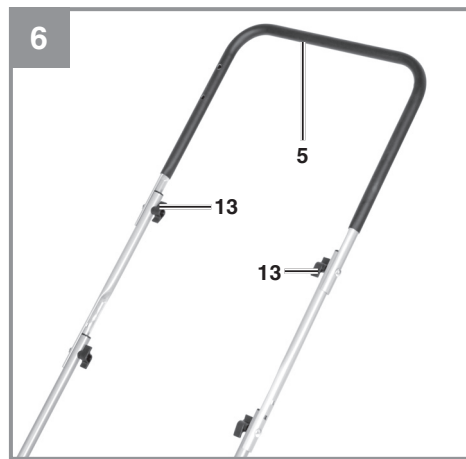
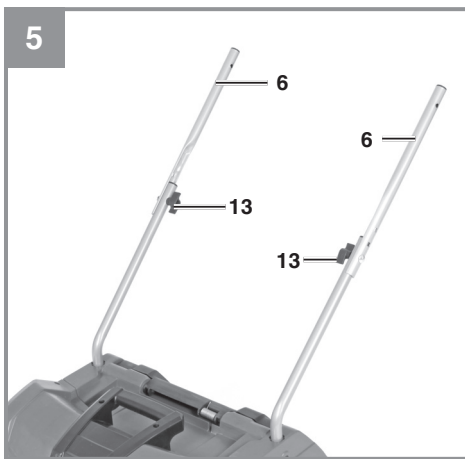
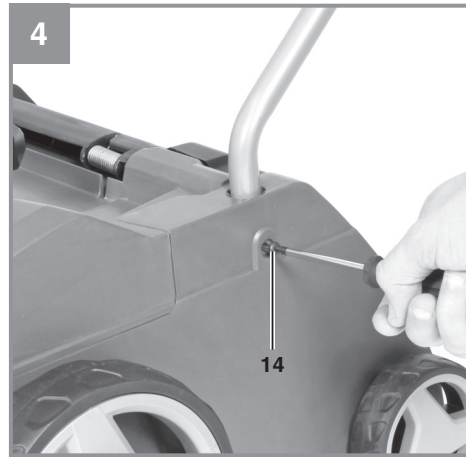
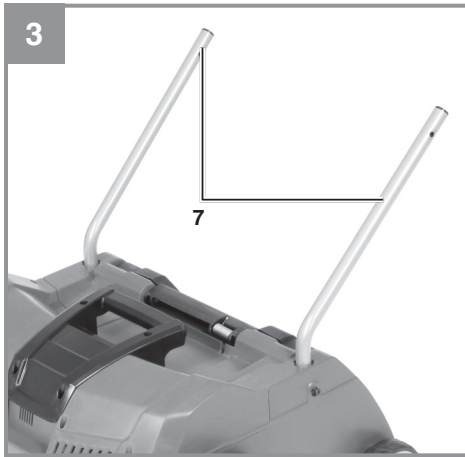
**GB Original operating instructions
Electric Scarifier and Lawn Aerator**

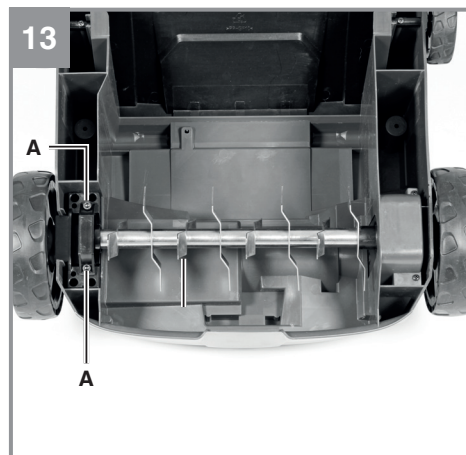
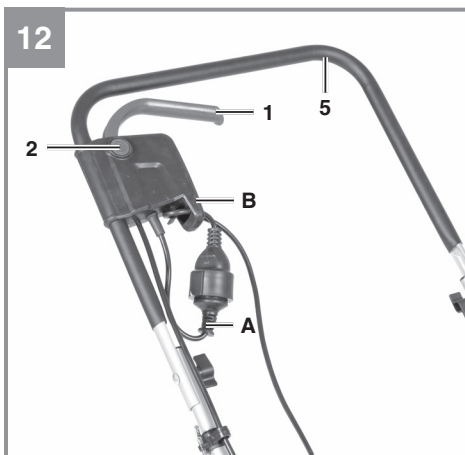
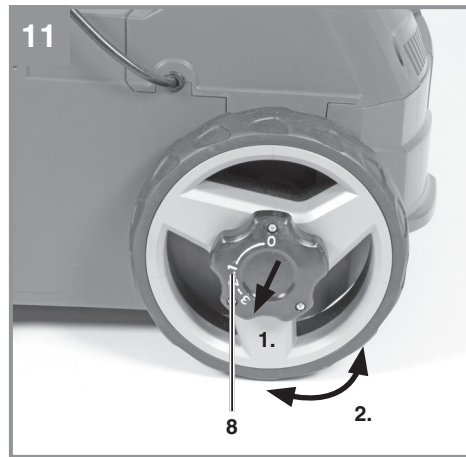
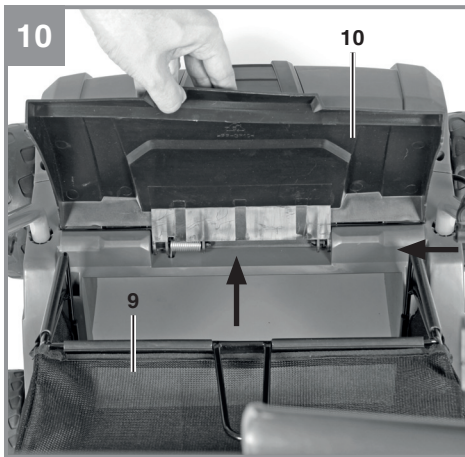
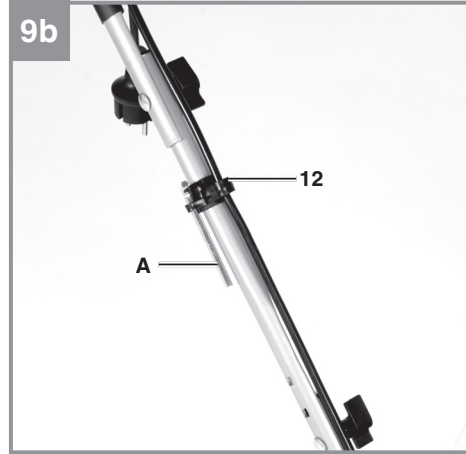
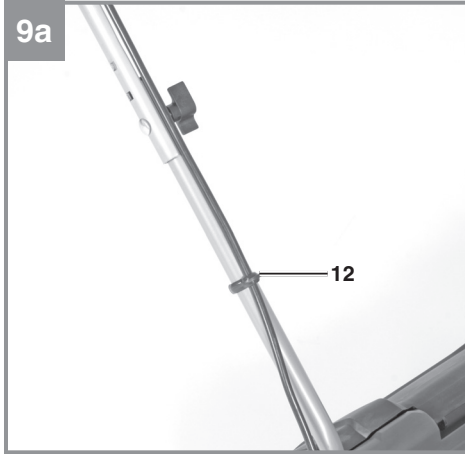


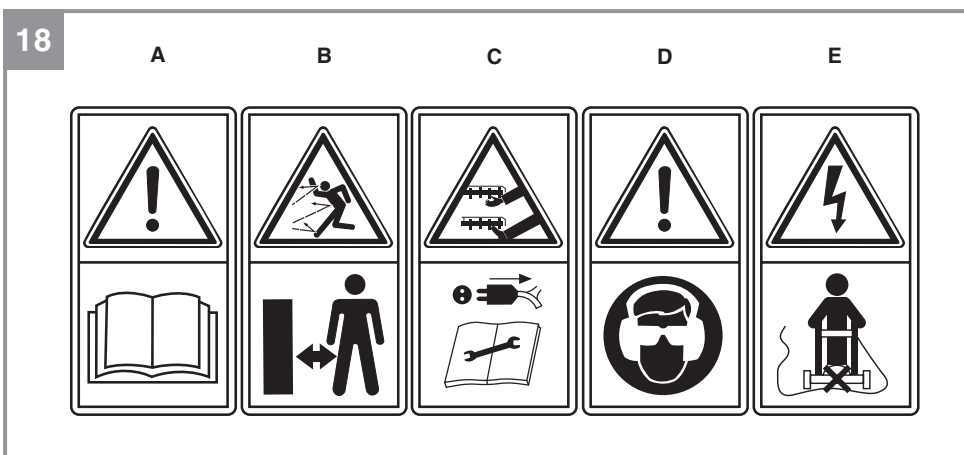
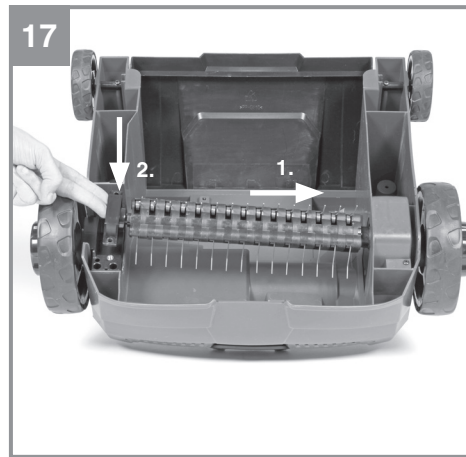
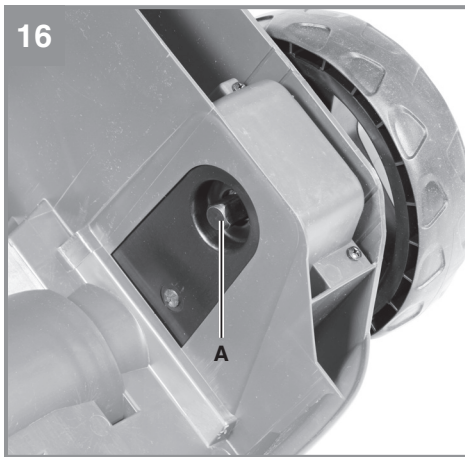
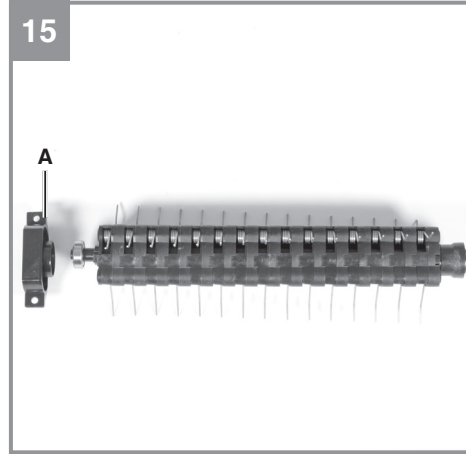
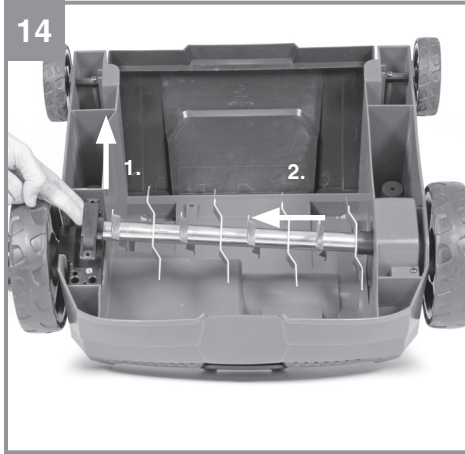
Art.-Nr.: 34.206.41

I.-Nr.: 21013









Danger!

When using the equipment, a few safety precautions must be observed to avoid injuries and damage. Please read the complete operating instructions and safety regulations with due care. Keep this manual in a safe place, so that the information is available at all times. If you give the equipment to any other person, hand over these operating instructions and safety regulations as well. We cannot accept any liability for damage or accidents which arise due to a failure to follow these instructions and the safety instructions.

1. Safety regulations**Danger!****Read all safety regulations and instructions.**

Any errors made in following the safety regulations and instructions may result in an electric shock, fire and/or serious injury.

Keep all safety regulations and instructions in a safe place for future use.**Description of the warning logos (see Fig. 18)**

A = Important!

Read the directions for use before operating the tool.

B = Keep other persons (and animals) away from the danger zone.

C = Caution, sharp teeth. The teeth continue to rotate after the equipment is switched off. Pull the plug out of the socket outlet before carrying out any maintenance or if the cable becomes damaged.

D = Wear hearing and eye protection.

E = Keep the power cable away from the roller.

This equipment can be used by children of 8 years and older and by people with limited physical, sensory or mental capacities or those with no experience and knowledge if they are supervised or have received instruction in how to use the equipment safely and understand the dangers which result from such use.

Children are not allowed to play with the equipment. Unless supervised, children are not allowed to clean the equipment and carry out user-level maintenance work.

Replacing the power cable

If the power cable for this equipment is damaged, it must be replaced by the manufacturer or its after-sales service or similarly trained personnel to avoid danger.

CAUTION: To prevent a risk arising from the unintentional resetting of the thermal cut out, never connect the equipment to an external switching device such as a timer switch or to an electric circuit which is regularly switched on and off.

Both before and after every time the equipment is used, check for damage and wear to the mains connection and extension cable. The equipment must not be used if cables are damaged.

- If the electricity supply should get damaged during use of the equipment, the plug must immediately be removed from the socket. The mains connection and extension cable must not be touched until the plug is removed from the socket.
- Before each use, check the equipment for possible damage. The equipment should not be used if it is damaged, and must not be used up until it has been attended to by a specialist/our customer service personnel.
- If the equipment vibrates excessively, switch it off immediately and remove the plug from the socket. Tilt the equipment to examine

the scarifier rotor for possible causes of imbalance and remove these as necessary.
- Always wear gloves when working with this equipment, to avoid cuts. Should this not be the cause, consult one of our service personnel for repairs.

- When starting, both hands must be on the handle, the equipment must be on the ground, and must not be overturned.
- Safety components must be checked for damage before each use, and if any damage is present, must be replaced by our customer service personnel.

Warning

Danger! The Lawn Scarifier (Lawn ventilator) must not be used if any connections are damaged or worn out.

Danger! Do not connect a damaged cable to the power supply and do not touch the cable before it is disconnected from the power supply. A damaged cable may result in contact with active parts.

Danger! Do not touch the teeth before the equipment is disconnected from the power supply and the teeth have reached a complete standstill.

Danger! Keep the extension cables away from the teeth. The teeth could damage the cables and lead to contact with active parts

Danger! Always interrupt maintenance work (by removing the plug from the socket):

- **when the equipment is left unattended,**
- **before a trapped tool is freed from the machine,**
- **when the equipment is checked, cleaned, or having maintenance work done**
- **after a foreign body has been hit,**
- **or if the equipment vibrates abnormally.**

It is advisable only to connect the equipment to an electricity supply which is protected by a residual-current operated protective device (RCD) with a release current of max. 30 mA.

Preparations

- a) Never allow children or other persons who are not familiar with the operating instructions to use the equipment. Contact your local governmental agency for information

regarding minimum age requirements for the user;

- b) Never use the machine while other people, particularly children or animals, are nearby;
- c) Always keep in mind that the operator or user of the equipment is responsible for accidents or risks involving other persons or their property;
- d) Wear hearing and eye protection while operating the machine;
- e) Always wear sturdy, non-slip footwear and long trousers when using the equipment. Never use the equipment barefoot or in sandals;
- f) Check the ground on which the equipment will be used and remove stones, sticks, wire, bones and other foreign bodies that could be caught up and violently flung out;
- g) Before use, always visually examine the tools and bolts for signs of wear or damage. To prevent any imbalance, replace worn out or damaged tools and bolts as a set only;
- h) If you operate equipment with an ejector at the rear and exposed rear rollers without a debris device, you must wear full eye protection at all times.

Handling

- a) Only use the equipment in broad daylight or in well-lit conditions;
- b) If possible, the equipment should not be used on damp grass, but if this cannot be avoided, take special care to ensure that you do not slip;
- c) Always maintain good footing on slopes;
- d) Only operate the equipment at a walking pace;
- e) Always guide the equipment across slopes, never straight up or down;
- f) Be particularly careful when you change direction on a slope;
- g) Do not work on overly steep slopes;
- h) Be particularly careful when you turn the equipment around or pull it toward yourself;
- i) Stop the tools if the equipment has to be tipped to one side for transport purposes. Stop the tools if you cross any surfaces other than grass and whilst transporting the equipment from and to the area on which you wish to use it;
- j) Never use the equipment with damaged or missing safety devices, e.g. without deflector plates and/or the grass collecting device;
- k) Do not adjust or overclock the engine speed settings;

- l) Uncouple all tools and drive units before you start the engine;
- m) Use the ON/OFF switch with caution, according to the manufacturer's advice. Make sure that your feet are far enough away from the tool(s).
- n) Do not tilt the equipment when you start the engine, unless the equipment must be raised off of the ground a little, in order to start it. In this case, tilt it as little as absolutely necessary and only raise the side opposite to that of the user;
- o) Do not start the motor if you are positioned in front of the chute;
- p) Never move your hands or feet toward or under any rotating parts. Keep clear of the chute opening at all times;
- q) Never lift or carry the equipment with the engine running.

Maintenance and storage

- a) Make sure that all nuts, bolts and screws are tightened securely to ensure that the equipment is in safe working condition;
- b) Allow the motor to cool before you put the equipment in an enclosed area;
- c) to avoid risk of fire, keep the ventilation openings free of grass, straw, moss, leaves and similar materials,
- d) Make regular checks on the grass collecting device for wear or damaged parts;
- e) Check the equipment at regular intervals and replace worn or damaged parts for your own safety.

2. Layout and items supplied

2.1 Layout (Fig. 1/2)

1. ON/OFF switch
2. Safety lock-off
3. Power cable
4. Cable grip
5. Top push bar
6. Lower push bar
7. Push bar bracket
8. Scarifying depth
9. Grass basket
10. Ejector flap
11. Aerating roller
12. Cable clips
13. Fastening screws for push bar
14. Retaining screws for push bar

2.2 Items supplied

Please check that the article is complete as specified in the scope of delivery. If parts are missing, please contact our service center or the sales outlet where you made your purchase at the latest within 5 working days after purchasing the product and upon presentation of a valid bill of purchase. Also, refer to the warranty table in the service information at the end of the operating instructions.

- Open the packaging and take out the equipment with care.
- Remove the packaging material and any packaging and/or transportation braces (if available).
- Check to see if all items are supplied.
- Inspect the equipment and accessories for transport damage.
- If possible, please keep the packaging until the end of the guarantee period.

Danger!

The equipment and packaging material are not toys. Do not let children play with plastic bags, foils or small parts. There is a danger of swallowing or suffocating!

- Original operating instructions
- Safety instructions

3. Proper use

The equipment can be used both as a scarifier and an aerator depending on the intended use. Only a few movements are required to change the roller.

The scarifying roller is designed for ripping moss and weeds - complete with their roots - out of the soil and for loosening the soil. As a result your lawn can absorb nutrients better and is cleaned. We recommend you to scarify your lawn in the spring (April) and autumn (October).

The aerating roller scratches the surface of the lawn, helping water to drain off more easily as well as promoting oxygen intake. Aerate your lawn throughout the growing period.

The equipment is intended for private use i.e. for use in home and gardening environments.

Scarifiers for private use are machines whose annual operating time generally does not exceed 10 hours, during which the machine is primarily used

to maintain small-scale, residential lawns and home/hobby gardens. Public facilities, sporting halls, and agricultural/forestry applications are excluded.

The operating instructions as supplied by the manufacturer must be kept and referred to in order to ensure that the equipment is properly used and maintained. The instructions contain valuable information on operating, maintenance and servicing conditions.

Warning! Due to the high risk of bodily injury to the user, the equipment may not be used to grind up branch or hedge clippings. Moreover, the equipment may not be used as a power cultivator to level out high areas such as mole hills.

For safety reasons, the scarifier may not be used as a drive unit for other equipment or toolkits of any kind, unless specifically advised to do so by the manufacturer.

The equipment is to be used only for its prescribed purpose. Any other use is deemed to be a case of misuse. The user/operator and not the manufacturer will be liable for any damage or injuries of any kind caused as a result of this.

Please note that our equipment has not been designed for use in commercial, trade or industrial applications. Our warranty will be voided if the machine is used in commercial, trade or industrial businesses or for equivalent purposes.

4. Technical data

Mains voltage: 230 V~ 50 Hz
 Power input: 1200 W
 Working width: 31 cm
 Number of blades: 8 double blades
 Number of claws: 45
 Scarifying depth: -3/3/7/9 mm
 L_{pA} sound pressure level: 88 dB(A)
 L_{WA} sound power level: 93.49 dB(A)
 K uncertainty: 0,93 dB
 Vibration at the handlebars: 3.0 m/s²
 K uncertainty: 1.5 m/s²
 Protection class: II/□
 Protection type: IPX4
 Weight: 9.3 kg

Danger!

Sound and vibration

Sound and vibration values were measured in accordance with EN ISO 3744: 1995, EN ISO 11201: 1995, EN 1033:1995.

Keep the noise emissions and vibrations to a minimum.

- Only use appliances which are in perfect working order.
- Service and clean the appliance regularly.
- Adapt your working style to suit the appliance.
- Do not overload the appliance.
- Have the appliance serviced whenever necessary.
- Switch the appliance off when it is not in use.
- Wear protective gloves.

Caution!

Residual risks

Even if you use this electric power tool in accordance with instructions, certain residual risks cannot be ruled out. The following hazards may arise in connection with the equipment's construction and layout:

1. Damage to hearing if no suitable ear protection is used.
2. Health damage caused by hand-arm vibrations if the equipment is used over a prolonged period or is not properly guided and maintained.

5. Before starting the equipment

Before you connect the equipment to the mains supply make sure that the data on the rating plate are identical to the mains data.

Warning!

Always pull the power plug before making adjustments to the equipment.

The scarifier is delivered unassembled. The grass basket and the complete push bar must be assembled and mounted before using the scarifier. Follow the operating instructions step-by-step and use the pictures provided as a visual guide to easily assemble the machine.

Fitting the push bar brackets (see Figs. 3-4)

Insert the push bar brackets (Fig. 3/Item 7) into the provided openings (Fig. 3). Then fasten the brackets with the retaining screws (Fig. 4/Item 14).

Fitting the lower push bars (see Fig. 5)

- Slide the lower push bars (Fig. 5/Item 6) onto the push bar brackets.
- Screw the tubes together, using the screws supplied (Fig. 5/Item 13).

There are 3 assembly holes so that the height of the push bar can be adjusted to specific user requirements at any time. Use the hole which is best suited for you, making sure that you use the same hole on both sides.

Fitting the upper push bar (see Figs. 6-8)

- Position the upper push bar (Fig. 1/Item 5) such that its holes line up with the holes of the lower bar.
- Screw the tubes together, using the screws supplied (Fig. 2/Item 13).
- Remove the screws (Fig. 7/Item A) and take off the cover (Fig. 7/Item B).
- Fit the switch box in the holes provided on the right-hand side of the push bar and screw back in place again with the cover (Fig. 8/Item B) and the screws (Fig. 8/Item A).
- Use the cable clips (Fig. 9a/9b) to attach the power cable to the tubes of the push bars so that it is possible to open and shut the ejector flap.
- You can use one of the two cable clips (Fig. 9b/Item 12) to keep the hexagon key (Fig. 9b/Item A) which is needed for changing the roller.

Please ensure that the ejector flap can be opened and closed easily!

Assembling the grass basket (see Figs. 10)

- To hang the grass basket on the scarifier you must lift the ejector flap (Fig. 10/Item 10) with one hand and with the other hand take hold of the grass bag by the handle and hook it onto the scarifier from above (Fig. 10).

Danger!

Before you ever hook the grass basket to the scarifier you must ensure that the motor is switched off and the cutting unit is not rotating.

Adjusting the scarifier depth (see Fig. 11)

The scarifier depth is adjusted at both front wheels via the adjustment mechanism. For this, pull out the adjusting screw and turn the wheel to the left or right into one of the available positions (0/I/II/III).

The scarifier depth must always be identically set on both sides!

0 = drive/transport position
I = scarifier depth 3 mm
II = scarifier depth 7 mm
III = scarifier depth 9 mm

Electrical connection

The equipment can be connected to any normal socket with 230V AC. It is only acceptable to connect it to a shockproof socket with a 16A circuit breaker. Furthermore, a residual-current-operated protective device with max. 30 mA should be connected upstream.

Power cable

Please only use power cables that are not damaged. The total length of the power cable should not exceed 50 meters; going beyond this distance will reduce the power output of the electric motor. The power cable must have a cross-section of 3 x 1.5 mm². The insulating sheath of scarifier power cables is frequently damaged.

Some of the causes for this are:

- Cracking from running over the cable
- Pinching when the power cable is dragging under doors and pulled through windows
- Cracking due to old age of the insulation
- Kinking by improperly fastening or guiding the power cable

The power cables must, at the very minimum, be of type HO5RN-F and 3-stranded. The cable type must be printed somewhere on the power cable. Only purchase power cables that are marked as such! Plugs and socket couplers for the power cables must be made from rubber and be splash-proof. There is a limit to how long power cables can be. Longer power cables require larger conductor cross-sections. Power cables and connecting lines must be regularly checked for damage. Ensure that the lines are de-energized before checking them. Completely unwind the power cable. Also check power cable entry points, plugs and socket couplers for kinks.

6. Operation

Connect the machine's power supply cable to the plug (Fig. 12/Item A) and secure the power cable with the stress-relief clip (Fig 12/Item B).

To prevent accidental start-up of the equipment, the push-bar (Fig. 12/Item 5) is equipped with a safety lock-off (Fig. 12/Item 2) which must be pressed before the lever switch (Fig. 12/Item 1) can be pressed. If the lever switch is released, the equipment switches off.

Repeat this process several times so that you are sure that the machine functions properly. Before you perform any repair or maintenance work on the machine, ensure that the cutting unit is not rotating and that the power supply is disconnected.

Important! Never open the ejector flap when the motor is running. A rotating cutting unit can cause injuries.

Always fasten the ejector flap carefully. The flap flips back to the "Closed" position by the tension springs!

Always ensure that a safe distance (provided by the long handles) is maintained between the user and the housing. Be especially careful when scarifying and changing direction on slopes and inclines. Maintain a solid footing and wear sturdy, non-slip footwear and long trousers. Always scarify along the incline (not up and down).

For safety reasons, the scarifier may not be used to scarify inclines whose gradient exceeds 15 degrees.

Use special caution when backing up and pulling the scarifier (tripping hazard)!

Tips for proper working

It is recommended that you overlap scarifying paths a little.

Try to scarify in straight lines for a nice, clean look. In so doing, the aeration swaths should always overlap each other by a few centimeters in order to avoid bare strips.

As soon as grass clippings start to trail the scarifier, it is time to empty the grass basket.

Danger! Before taking off the grass basket, switch off the motor and wait until the roller has come to a stop.

To remove the grass basket, lift up the ejector flap with one hand, while unhooking the basket with the other.

How frequently you should scarify your lawn is determined primarily by the speed at which the grass grows and the hardness of the soil. Keep the underside of the equipment clean and remove soil and grass build-up. Deposits make it more difficult to start the aerator and decrease the quality of the scarifying.

Always scarify along inclines (not up and down). Switch off the motor before doing any checks on the roller.

Danger!

The roller rotates for a few seconds after the motor is switched off. Never attempt to stop the roller. In the event that the rotating roller strikes an object, immediately switch off the equipment and wait for the roller to come to a complete stop. Then inspect the condition of the roller. Replace any parts that are damaged (see section 8.4). Lay the power cable on the ground in loops in front of the power outlet. Scarify away from the power outlet and cable, making sure that the power cable always trails in the already scarified grass so that the equipment does not travel over the cable.

7. Replacing the power cable

Danger!

If the power cable for this equipment is damaged, it must be replaced by the manufacturer or its after-sales service or similarly trained personnel to avoid danger.

8. Cleaning, maintenance and ordering of spare parts

Danger!

Always pull out the mains power plug before starting any cleaning work.

8.1 Cleaning

- Keep all safety devices, air vents and the motor housing free of dirt and dust as far as possible. Wipe the equipment with a clean cloth or blow it with compressed air at low pressure.
- We recommend that you clean the device immediately each time you have finished using it.
- Clean the equipment regularly with a moist cloth and some soft soap. Do not use cleaning agents or solvents; these could attack the plastic parts of the equipment. Ensure that no water can seep into the device. The ingress of water into an electric tool increases the risk of an electric shock.

8.2 Carbon brushes

In case of excessive sparking, have the carbon brushes checked only by a qualified electrician.

Danger! The carbon brushes should not be replaced by anyone but a qualified electrician.

8.3 Maintenance

- A worn out or damaged cutting unit should be replaced by an authorised expert (see address on the warranty certificate).
- Take care that all fastening elements (screws, nuts, etc.) are firmly tightened, so that you can work safely with the scarifier.
- Store the scarifier in a dry place.
- For longer life, all screw-fastened parts, such as wheels and axles should be cleaned and subsequently oiled.
- Regular servicing of the scarifier not only secures longer endurance and performance, but also contributes to an accurate and simple scarification of your lawn.
- At the end of the season, carry out a general check of the scarifier, and remove all residue collected. Before the start of every season, it is absolutely necessary to check the state of the scarifier. Contact our Customer Service (see address on the warranty certificate) if repair work is necessary.

8.4 Changing the roller (see Figures 13-17)

Be sure to wear work gloves!

Only replace the roller with a genuine Einhell roller, as this will ensure top performance and safety under all conditions.

Remove the two socket head screws (Fig. 13/Item A). Lift the roller on this side and pull out in the direction of the arrow (Fig. 14). Pull the holder (Fig. 15/Item A) off the roller used before and then fit it to the roller to be used now. Slide the new roller in the direction of the arrow (Fig. 17) onto the square-ended drive (Fig. 16/Item A) and press into the holder (Fig. 17). Use the two socket head screws (Fig. 16/Item A) to secure the roller again. Apply grease to the square-ended drive from time to time so that the rollers can be changed easily.

8.5 Ordering replacement parts:

Please quote the following data when ordering replacement parts:

- Type of machine
- Article number of the machine
- Identification number of the machine
- Replacement part number of the part required

For our latest prices and information please go to www.Einhell-Service.com

Replacement cutting unit Art. No.: 34.055.82

Replacement aerating unit, Art. No.: 34.055.72

9. Disposal and recycling

The equipment is supplied in packaging to prevent it from being damaged in transit. The raw materials in this packaging can be reused or recycled. The equipment and its accessories are made of various types of material, such as metal and plastic. Never place defective equipment in your household refuse. The equipment should be taken to a suitable collection center for proper disposal. If you do not know the whereabouts of such a collection point, you should ask in your local council offices.

10. Troubleshooting guide

| Fault | Possible causes | Rectification |
|--|--|---|
| Motor does not start | <ul style="list-style-type: none"> a) No electricity in plug b) Cable defective c) Switch, switch/plug block defective d) Connections to motor or capacitor disconnected e) Housing clogged | <ul style="list-style-type: none"> a) Check line and fuse b) Check c) Have machine checked by a customer service center d) Have machine checked by a customer service center e) If necessary adjust working depth. Clean housing so that the roller can run freely |
| Engine performance drops | <ul style="list-style-type: none"> a) Soil is too firm b) Housing clogged c) Roller badly worn | <ul style="list-style-type: none"> a) Change working depth b) Clean housing c) Replace roller |
| Imprecise scarifying result | <ul style="list-style-type: none"> a) roller worn b) Wrong working depth | <ul style="list-style-type: none"> a) Replace roller b) Correct working depth |
| Motor is running, roller is not rotating | <ul style="list-style-type: none"> a) Toothed belt is torn | <ul style="list-style-type: none"> a) By customer service workshop |

Important notice! To protect the motor it is equipped with a thermal overload switch which cuts out when overloaded and starts again automatically after a short cooling-down period.



For EU countries only

Never place any electric power tools in your household refuse.

To comply with European Directive 2012/19/EC concerning old electric and electronic equipment and its implementation in national laws, old electric power tools have to be separated from other waste and disposed of in an environment-friendly fashion, e.g. by taking to a recycling depot.

Recycling alternative to the return request:

As an alternative to returning the equipment to the manufacturer, the owner of the electrical equipment must make sure that the equipment is properly disposed of if he no longer wants to keep the equipment. The old equipment can be returned to a suitable collection point that will dispose of the equipment in accordance with the national recycling and waste disposal regulations. This does not apply to any accessories or aids without electrical components supplied with the old equipment.

Please note that batteries and lamps (e.g. light bulbs) must be removed from the tool before it is disposed of.

The reprinting or reproduction by any other means, in whole or in part, of documentation and papers accompanying products is permitted only with the express consent of the Einhell Germany AG.

Subject to technical changes

Service information

We have competent service partners in all countries named on the guarantee certificate whose contact details can also be found on the guarantee certificate. These partners will help you with all service requests such as repairs, spare and wearing part orders or the purchase of consumables.

Please note that the following parts of this product are subject to normal or natural wear and that the following parts are therefore also required for use as consumables.

| Category | Example |
|---------------|----------------|
| Wear parts* | V-belt, Roller |
| Consumables* | |
| Missing parts | |

* Not necessarily included in the scope of delivery!

In the event of defects or faults, please register the problem on the internet at www.Einhell-Service.com. Please ensure that you provide a precise description of the problem and answer the following questions in all cases:

- Did the equipment work at all or was it defective from the beginning?
- Did you notice anything (symptom or defect) prior to the failure?
- What malfunction does the equipment have in your opinion (main symptom)?
Describe this malfunction.

Warranty certificate

Dear Customer,

All of our products undergo strict quality checks to ensure that they reach you in perfect condition. In the unlikely event that this equipment develops a fault, please contact our service department at the address shown on this guarantee card. You can also contact us by telephone using the service number shown. Please note the following terms under which guarantee claims can be made:

1. These guarantee terms apply solely to consumers, i.e. natural persons, who do not want to use this product in connection with either their commercial or other self-employed activities. These guarantee terms regulate additional guarantee services which the undermentioned manufacturer promises to buyers of its new products in addition to their statutory rights of guarantee. Your statutory rights of guarantee are not affected by this guarantee. Our guarantee is free of charge to you.
2. The guarantee services cover only defects due to material or manufacturing faults on the new product which you have bought in the European Union from the undermentioned manufacturer and are limited to either the rectification of said defects or the replacement of the product, whichever we prefer. Please note that only equipment under the brand name "Professional" has been designed for use in commercial, trade or professional applications. For all other products the guarantee is invalidated if the equipment is used within the guarantee period in commercial, trade or industrial applications or for other equivalent activities.
3. Our guarantee does not cover:
 - Damage to the equipment caused by failure to comply with the installation/assembly instructions or by unprofessional installation; damage caused by failure to comply with the operating instructions (e.g. connection to the wrong mains voltage or current type); damage caused by failure to comply with the maintenance and safety regulations; damage caused by exposing the equipment to abnormal environmental conditions; damage resulting from poor care and maintenance.
 - Damage to the equipment caused by misuse or incorrect applications (e.g. overloading the equipment or using non-approved attachments or accessories); damage caused by foreign bodies (e.g. sand, stones, dust, ...) getting inside the equipment. Damage in transit; damage caused by force or external influences (e.g. by dropping the equipment).
 - Damage to the equipment or parts of the equipment which is owed to use-related, normal or otherwise natural wear. For example, batteries and battery packs are manufactured with a cycle limit for design-related reasons. Wear is negatively influenced in particular by load demands and charging speeds as well as exposure to heat, cold, vibration and impact.
4. The guarantee is valid for a period of 2 years starting from the purchase date of the equipment. Guarantee claims must be submitted before the end of the guarantee period and within two weeks of the defect being noticed. No guarantee claims will be accepted after the end of the guarantee period. The original guarantee period remains applicable to the equipment even if repairs are carried out or parts are replaced. In such cases, the work performed or parts fitted will not result in an extension of the guarantee period, and no new guarantee will become active for the work performed or for any replacement parts fitted. This also applies if on-site service is used.
5. To assert your guarantee claim, register the defective equipment at: www.Einhell-Service.com. You will need to provide proof of purchase of the new item of equipment. Equipment returned without such proof or without a rating plate are excluded from the guarantee services because of the lack of traceability. If the defect is covered by our guarantee, then either the item in question will be repaired immediately and returned to you or we will send you a new replacement.
6. If you have taken the equipment with you to a different EU country than where you bought it, we will arrange for a local service partner to provide the guarantee services. If you take the equipment outside the EU, the guarantee will not apply.

Of course, we are also happy to offer a chargeable repair service for any defects which are not covered or no longer covered by the scope of this guarantee. To take advantage of this service, please send the equipment to our service address. We draw attention to the restrictions of this guarantee concerning wear parts, consumables and missing parts as presented in the service information included in this operating manual.

Warrantor/ Service:

Einhell UK Ltd, Unit 10, 1st Floor, Champion's Business Park, Arrowse Brook Road, Upton, Wirral, CH49 0UQ



- D** Konformitätserklärung: Wir erklären Konformität gemäß EU-Richtlinie und Normen für Artikel
- GB** Declaration of conformity: We declare conformity in accordance with the EU directive and standards for article
- F** Déclaration de conformité: Nous déclarons la conformité conformément aux directives et normes UE pour l'article
- I** Dichiarazione di conformità: dichiariamo la conformità secondo la direttiva UE e le norme per l'articolo
- DK** Overensstemmelseserklæring: Vi atterer overensstemmelse iht. EU-direktiv samt standarder for artikel
- S** Försäkran om överensstämmelse: Vi förklarar följande överensstämmelse enl. EU-direktiv och standarder för artikeln
- CZ** Prohlášení o shodě: Prohlašujeme shodu podle směrnice EU a norem pro výrobek
- SK** Vyhlásenie o zhode: Vyhlasujeme zhodu podľa smernice EÚ a noriem pre výrobok
- NL** Conformiteitsverklaring: wij verklaren conformiteit conform EU-richtlijn en normen voor artikel
- E** Declaración de conformidad: declaramos la conformidad a tenor de la directiva y normas de la UE para el artículo
- FIN** Standardinmukaisuus todistus: Me vakuutamme, että EU-direktiivin ja standardien vaatimukset täyttyvät tuotteelle
- SLO** IZJAVA O SKLADNOSTI potrjuje sledečo skladnost s smernico EU in standardi za izdelek
- H** Konformitási nyilatkozat: Az EU-irányvonal és normák szerinti konformitást jelentjük ki a cikkhez
- RO** Declarație de conformitate: Declaram conformitate conform directivei și normelor UE pentru articolul
- GR** Δήλωση συμμόρφωσης: Δηλώνουμε συμμόρφωση σύμφωνα με Οδηγία Εε και πρότυπα για τα προϊόντα
- P** Declaração de conformidade: Declaramos a conformidade de acordo com a diretiva CE e normas para o artigo
- HR** IZJAVA O SUKLADNOSTI potvrđuje sljedeću usklađenost prema smjernicama EU i normama za artikl
- BIH** IZJAVA O SUKLADNOSTI potvrđuje sljedeću usklađenost prema smjernicama EU i normama za artikl
- RS** DEKLARACIJA O USUGLAŠENOST potvrđuje sledeću usklađenost prema smjernicama EZ i normama za artikl
- TR** Uygunluk Deklarasyonu: AB direktifi ve ürün standartları uyarınca uygunluğunu beyan ederiz
- RUS** Заявление о соответствии товара: Настоящим удостоверяется, что следующие продукты соответствуют директивам и нормам ЕС
- EE** Vastavusdeklaratsioon: Tõendame toote vastavust EL direktiivile ja standarditele
- LV** Atbilstības deklarācija: Mēs apliecinām atbilstību ES direktīvai un standartiem tālāk minētajām precēm
- LT** Atitikties deklaracija: deklaruojame, kad gaminy's atitinka ES direktyvą ir standartus
- PL** Deklaracja Zgodności - deklarujemy zgodność wymienionego poniziej artykułu z następującymi normami na podstawie dyrektywy EU
- BG** Декларация за съответствие: Ние декларираме съответствие на Директивите и нормите (ЕС) за изделия
- UKR** Декларація відповідності: ми заявляємо про відповідність згідно з Директивою ЄС та стандартами стосовно артикула
- MK** Izjava za soobraznost: Izjavуvаme soobraznost со регулативата и со нормите на EV за артикли
- N** Samsvarserklæring: Vi erklærer samsvar i henhold til EU-direktiv og standarder for artikkel
- IS** Samræmisýfirlýsing: Við útskúrdum samræmi við EU-reglugerð og stöðlum fyrir vörutegund

Elektro-Vertikutierer-Lüfter* GC-SA 1231/1 (Einhell)

- 2014/29/EU
- 2005/32/EC_2009/125/EC
- (EU)2015/1188
- 2014/35/EU
- 2006/28/EC
- 2014/30/EU
- 2014/32/EU
- 2014/53/EU
- 2014/68/EU
- (EU)2016/426
- (EU)2016/425
- 2011/65/EU_(EU)2015/863
- 2006/42/EC
- Annex IV
- Notified Body:
Reg. No.:
- 2000/14/EC_2005/88/EC
- Annex V
- Annex VI
- Noise: measured $L_{WA} = 93,49$ dB (A); guaranteed $L_{WA} = 95$ dB (A)
P = 1,2 kW; L/Ø = 31 cm
- Notified Body:
- 2012/46/EU_(EU)2016/1628
- Emission No.:

Standard references: EN 60335-1; EN 50636-2-92; EN 62233; EN IEC 55014-1;
EN IEC 55014-2; EN IEC 61000-3-2; EN 61000-3-3

Einhell Germany AG · Wiesenweg 22 · D-94405 Landau/Isar

Landau/Isar, den 01.08.2023

Andreas Weichselgartner/General-Manager

Tom Wei/Product-Management

First CE: 2022
Art.-No.: 34.206.41 I.-No.: 21013
Subject to change without notice

Archive-File/Record: NAPR030506
Documents registrar: Felix Hofner
Wiesenweg 22, D-94405 Landau/Isar

* GB Electric Scarifier and Lawn Aerator - F Scarificateur / aérateur électrique - I Scarificatore / arieggiatore - DK/N El-dreven kultivator / plænelufter - S Elektrisk vertikalskärare / gräsmattlufterare - CZ Elektrický vertikální stroj / zračník - H Elektromos-vertikálátor / szelészetős - RO Afanător / aerator electric - GFI Илестрико оваттано / озертно збодуоус - P Escarificador / aereador eléctrico - HR/VBH Električni kultivator / prozračivač tla - RS Elektro kultivator / prozračivač tla - PL Wertykulator elektryczny / wentylator - TR Elektrikli çim havalandırıcısı / havalandırıcı - RUS Электронный вертикальный культиватор - EE Elektiline muruõhutaja - LV Elektriskais skarifikators / aerators - LT Elektrinis vertikaliuos krypties BG Электро-вертикутор / вентилатор - UKR Електроапарат д/проріджування трави / вентилатор - MK Електро освешивач / вентилатор за трева - NO Elektrisk vertikalskjærer og plenlufter - IS rafmagns-mosatætari og



Declaration of conformity

We, Einhell UK Ltd

Champions Business Park, First Floor Unit 10, Arrowe Brook Rd, Upton, Wirral CH49 0AB,
United Kingdom

declare the conformity to UK standards and legislation was assessed for:

Electric Scarifier-Lawn Aerat. GC-SA 1231/1 (Einhell)

UK legislation

- | | |
|--|--|
| <input type="checkbox"/> Simple Pressure Vessels (Safety) Regulation | <input checked="" type="checkbox"/> Electromagnetic Compatibility Regulation |
| <input type="checkbox"/> Electrical Equipment (Safety) Regulation | <input type="checkbox"/> Measuring Instruments Regulation |
| <input type="checkbox"/> Radio Equipment Regulation | <input type="checkbox"/> Pressure Equipment (Safety) Regulation |
| <input type="checkbox"/> Personal Protective Equipment Regulation | |
| <input type="checkbox"/> The Ecodesign for Energy-Related Products and Energy Information Regulation | |
| <input checked="" type="checkbox"/> The Restriction of the Use of Certain Hazardous Substances in Electrical and Electronic Equipment Regulation | |
| <input checked="" type="checkbox"/> Noise Emission in the Environment by Equipment for use Outdoors Regulation | |
| <input checked="" type="checkbox"/> Annex V | |
| <input type="checkbox"/> Annex VI | |
| Noise: measured $L_{WA} = 93,49$ dB (A); guaranteed $L_{WA} = 95$ dB (A) P = 1,2 kW; L/Ø = 31 cm UK Approved Body: | |
| <input checked="" type="checkbox"/> Supply of Machinery (Safety) Regulation | |
| <input type="checkbox"/> Annex IV | |
| UK Approved Body: UKTE Certificate No.: | |

**Standards: BS EN 60335-1; BS EN 50636-2-92; BS EN 62233; BS EN IEC 55014-1;
BS EN IEC 55014-2; BS EN IEC 61000-3-2; BS EN 61000-3-3**

Wirral, 2023.08.01


Tom Chambers, Managing Director Einhell UK Ltd.

Article Number: 34.206.41 I.-No.: 21013
Subject to change without notice

Archive-File/Record: NAPR030506
Documents registrar: Felix Hofner
Wiesenweg 22, 94405 Landau/Isar, Germany



A series of 20 horizontal lines for writing, starting from the line where the pencil is positioned and extending down to the bottom of the page.



A series of horizontal lines for writing, starting from the top right and extending down to the bottom of the page.



EH 08/2023 (01)

