



Einhell

BLUE

BT-CS 860 L Mini Circular Saw

Art.-No. 43.309.55

Features

- Continuously adjustable cutting depth (1)
- Dust extraction
- Saw shoe made of aluminium (2)
- Laser (3)
- Overload protection (4)
- Soft grip

Standard accessories

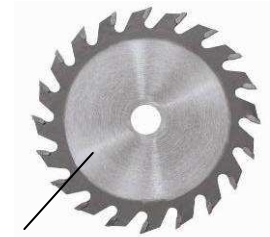
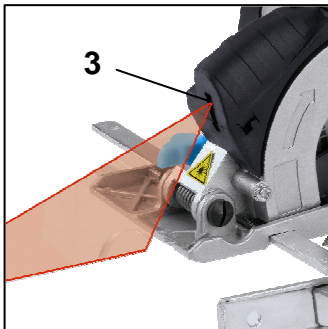
- TCT saw blade with 20 teeth (5)
- HSS saw blade with 80 teeth (6)
- Dust extraction adapter
- Tool for saw blade change
- Parallel guide (7)
- Transport and storage case (8)

Technical Data

- Mains: 230 – 240 V ~ 50 Hz
- Power: 450 W
- Idle speed: 6,000 rpm
- Cutting depth: max. 23 mm
- Saw blade center hole: Ø 10 mm
- TCT saw blade: Ø 85 x Ø 10 x 1.6 mm, 20 T
- HSS saw blade: Ø 85 x Ø 10 x 1.6 mm, 80 T
- Product weight: 2.0 kg

Logistic Data

- Net weight: 3.4 kg
- Gross weight: 3.6 kg
- Packing dimensions: 370 x 133 x 265 mm
- Bar code: 4006825 572377
- Sales unit: 4 pcs



As special accessory available:

Saw blade kit
85 x 10 mm, 6 pcs

Art.-No.: 45.021.28
Bar code: 4006825 575347