



PS-SB 1100 Impact Drill

Art.-No. 42.598.71

Features

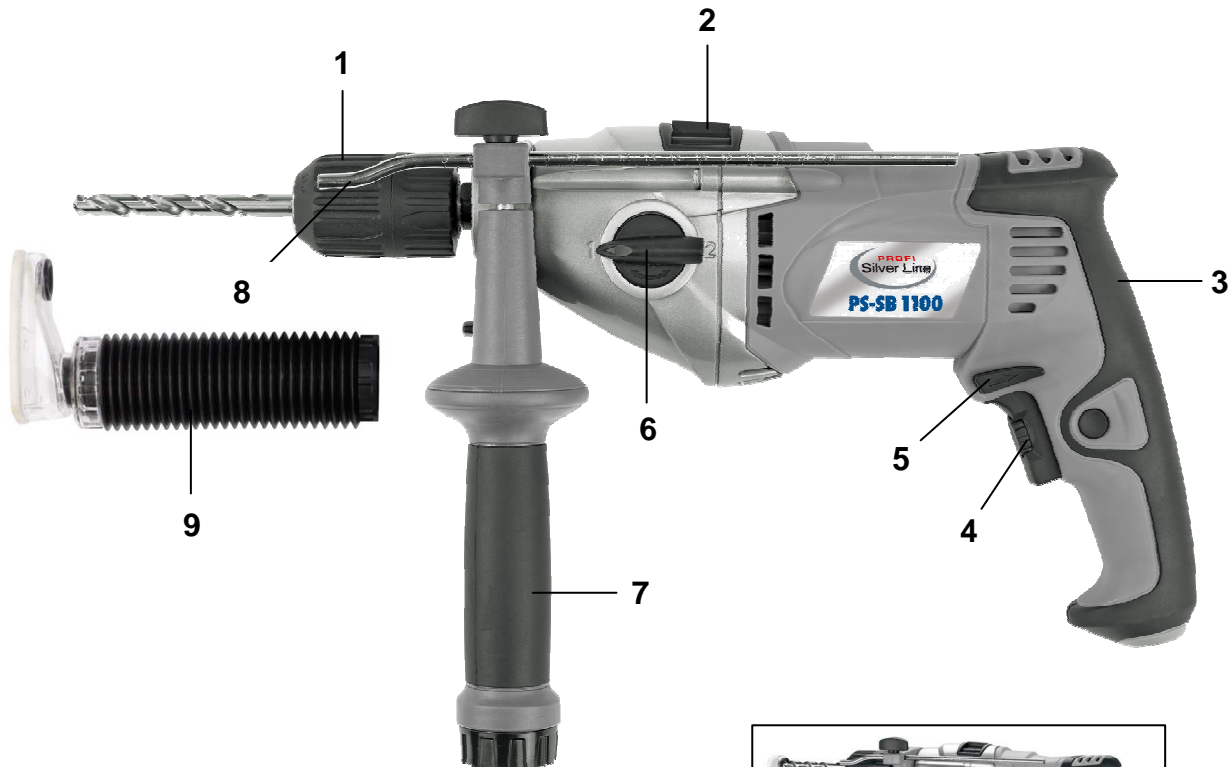
- Quick chuck with locking function (1)
- Reverse-switch drilling / hammer drilling (2)
- Soft handle (3)
- Electronic speed control (4) with pre-selection settings
- Right / left turn (5)
- 2-settings gear (6)

Standard accessories

- Additional handle with soft grip and drill bit depot (7)
- Metal depth gauge (8)
- Patented dust extraction device (9) (by separate suction cup)
- Transport and storage case

Technical Data

- Mains: 230 V ~ 50 Hz
- Power: 1,050 W
- Idle speed: 0 – 1,100 min⁻¹ / 0 – 3,000 min⁻¹
- No. of Impacts: 0 – 16,500 min⁻¹ / 0 – 45,000 min⁻¹
- Drilling capacity (wood / concrete / metal): 40 / 16 / 13 mm
- Net weight: 4.7 kg
- Gross weight: 5.0 kg
- Packing dimensions: 415 x 330 x 120 mm
- Bar code: 29053148
- Sales unit: 2 pcs



As special accessories available:

- | | |
|-------------------------------|--------------------------|
| Drill and bit set | Art.-No.: 42.580.80 |
| 40 parts | Bar code: 4006825 538892 |
| Bi-metall-hole saw set | Art.-No.: 43.101.80 |
| | Bar code: 4006825 538953 |