

EN Operating instructions
Cordless Grass Shear and Hedge
Trimmer

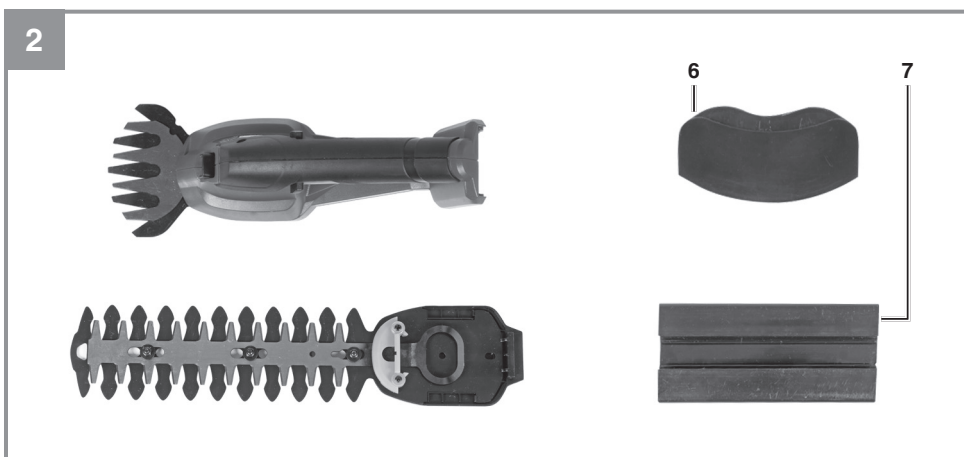
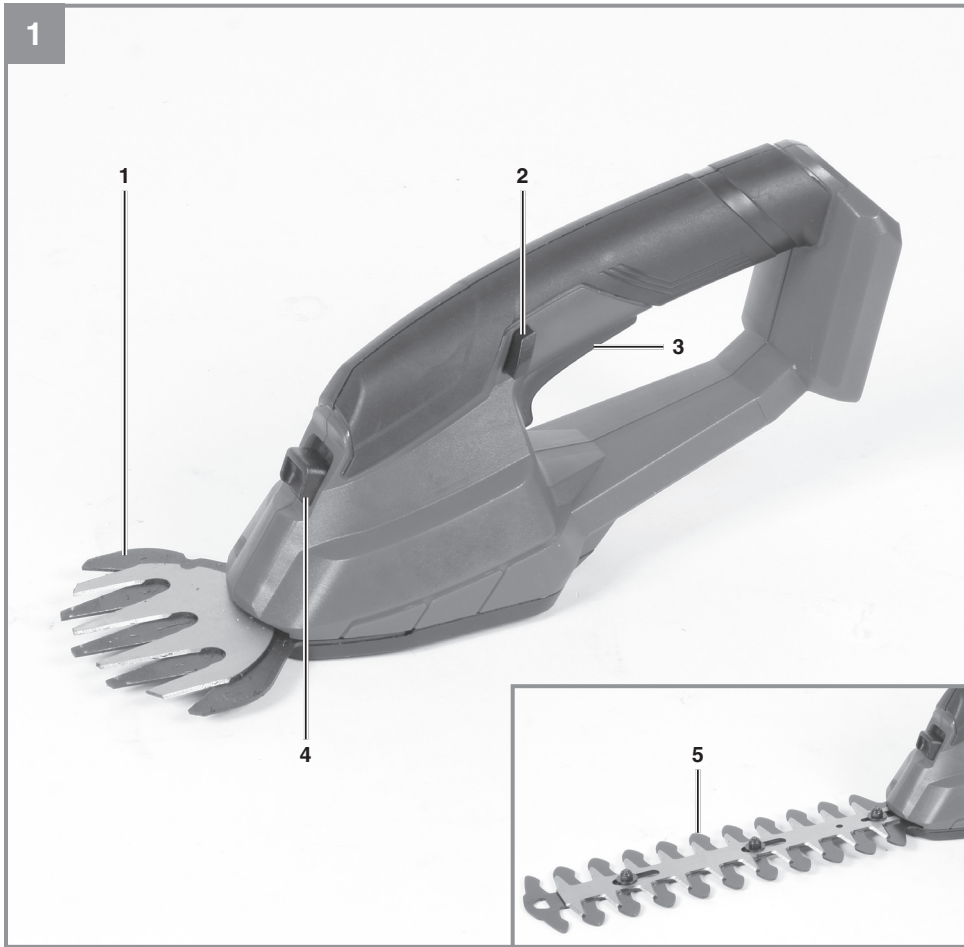
FR Mode d'emploi
Cisaille à gazon et taille-haie sans
fil

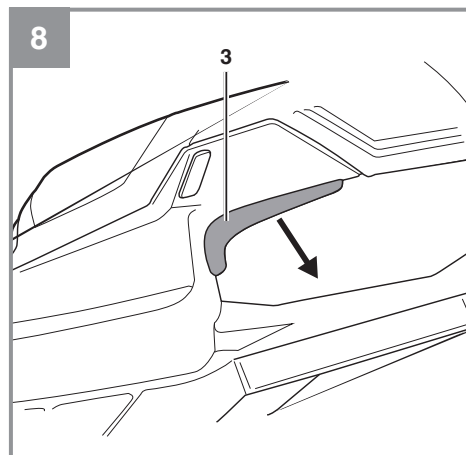
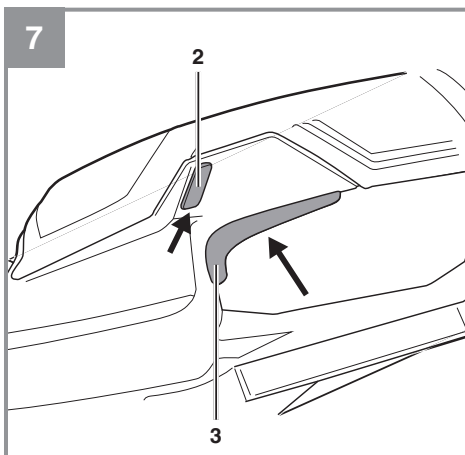
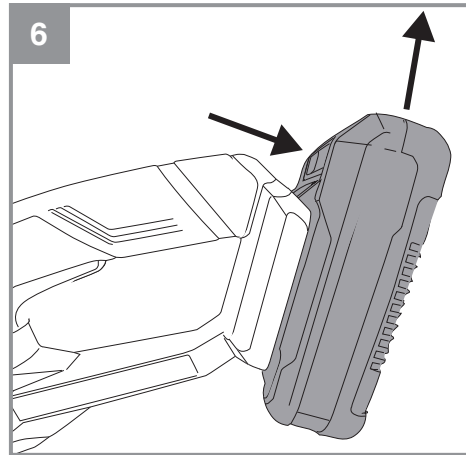
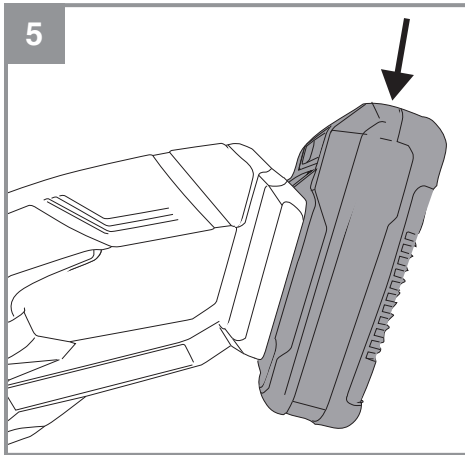
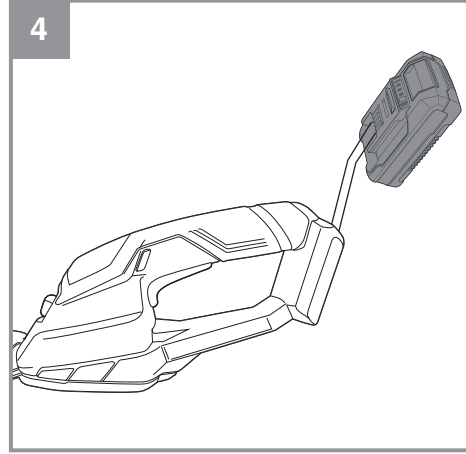
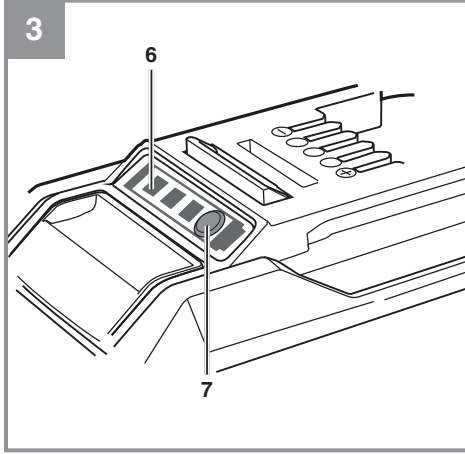
SP Manual de instrucciones
Podadora y cortasetos
inalámbricos

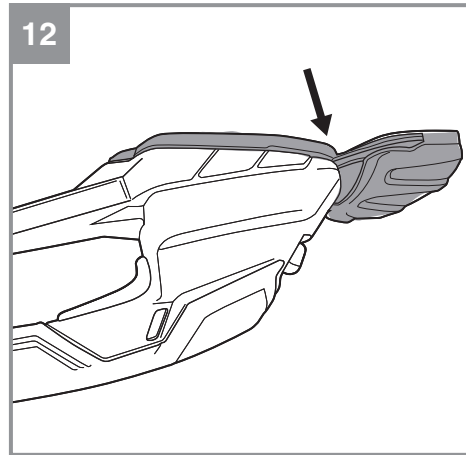
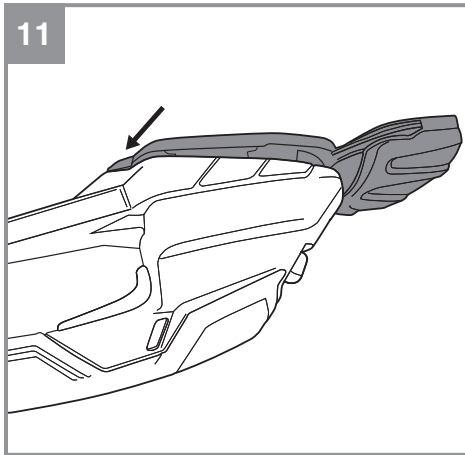
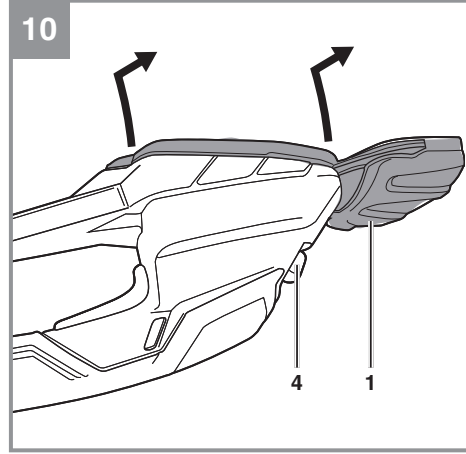
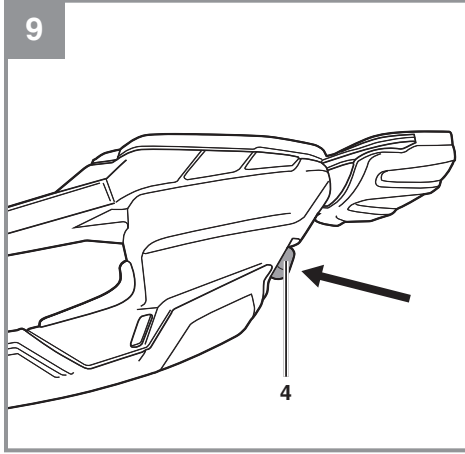


Art.-Nr.: 3410377

I.-Nr.: 21023









Danger! - Read the operating instructions to reduce the risk of injury.



Keep all other persons away from the danger zone.



Protect the tool from dampness and never expose it to rain.



DANGER – Keep hands away from blade.



DANGER – Keep sufficient distance away from electrical power lines.



Wear eye and head protection.



Store the batteries only in dry rooms with an ambient temperature of 50°F to 104°F (+10°C to +40°C).
Place only fully charged batteries in storage (charged at least 40%).

DANGER!

When using the equipment, a number of safety precautions must be observed to avoid injuries and damage. Please read the complete operating instructions and safety information with due care. Keep these operating instructions in a safe place so that the information is available at all times. If you give the equipment to any other person, hand over these operating instructions and the safety information as well. We cannot accept any liability for damage or accidents which arise due to failure to follow these instructions and the safety information.

1. Safety information

Read All Instructions

WARNING: When using electric gardening appliances, basic safety precautions should always be followed to reduce the risk of fire, electric shock, and personal injury, including the following:

FOR ALL APPLIANCES

- Avoid dangerous environments - do not use appliances in damp or wet locations.
- Don't use in rain.
- Keep children away - all people and pets should be kept at a distance from the work area.
- Dress properly - do not wear loose clothing or jewelry. They can be caught in moving parts. Wear protective clothing; use of work gloves, long pants, a long sleeved shirt and safety footwear is recommended when working outdoors. Wear protective hair covering to contain long hair.
- Use safety glasses - always use face or dust mask if the area in which you are working is dusty. The purpose of the safety rules is to attract your attention to possible dangers. The safety symbols and the explanations with them, require your careful attention and understanding. The safety warnings do not by themselves eliminate any danger. The instruction or warnings they give are not substitutes for proper accident prevention measures.
- Use right appliance - do not use appliance for any job except that for which it is intended.
- Do not force appliance - it will do the job better and with less likelihood of a risk of injury at the rate for which it was designed.
- Do not overreach - keep proper footing and balance at all times.
- Stay alert. Use common sense. Do not operate appliance when you are tired or under the influence of drugs, alcohol or medication.
- When not in use, appliances should be stored indoors in dry places out of reach of children.
- Maintain appliance with care. Follow instructions for lubricating and changing accessories. Keep handles dry, clean, and free from oil and grease.
- Check damaged parts. Before using the appliance, make sure the safety guards are intact. Never use a tool without its safety guard. Check the alignment of the moving parts, the binding of the moving parts.
- Check for broken or defective parts that can affect the safe operation of your tool. A guard or other part that is damaged should be properly repaired or replaced by an authorized service centre unless indicated elsewhere in this manual.
- Recharge only with the charger specified by the manufacturer. A charger that is suitable for one type of battery pack may create a risk of fire when used with another battery pack.
- Use appliances only with specifically designated battery packs. Use of any other battery packs may create a risk of injury and fire.
- When battery pack is not in use, keep it away from other metal objects, like paper clips, coins, keys, nails, screws or other small metal objects, that can make a connection from one terminal to another. Shorting the battery terminals together may cause burns or a fire.
- Under abusive conditions, liquid may be ejected from the battery; avoid contact. If contact accidentally occurs, flush with water. If liquid contacts eyes, additionally seek medical help. Liquid ejected from the battery may cause irritation or burns. (This advice is considered correct for conventional NiMh, NiCd, lead acid and Lithium-ion cell types. If this advice is incorrect for a cell design that differs from these, then the correct advice may be substituted.)
- Do not use a battery pack or appliance that is damaged or modified. Damaged or modified batteries may exhibit unpredictable behavior resulting in fire, explosion or risk of injury.
- Do not expose a battery pack or appliance to fire or excessive temperature. Exposure to fire or temperature above 266°F (130°C) may

- cause explosion.
- Follow all charging instructions and do not charge the battery pack or appliance outside of the temperature range specified in the instructions. Charging improperly or at temperatures outside of the specified range may damage the battery and increase the risk of fire.
- Have servicing performed by a qualified repair person using only identical replacement parts. This will ensure that the safety of the product is maintained.
- Do not modify or attempt to repair the appliance or the battery pack (as applicable) except as indicated in the instructions for use and care.

1.) FOR ALL BATTERY-OPERATED APPLIANCES:

- Do not charge appliance in rain, or in wet locations.
- Do not use battery-operated appliances in the rain. Always remove or disconnect battery pack before adjusting, cleaning, servicing or transporting the garden appliances.

2.) FOR ALL BATTERY-OPERATED PRODUCTS EMPLOYING A DETACHABLE OR SEPARABLE

BATTERY:

- Use only the following type and size battery:
 - 18V 1.5Ah PXC Lithium-ion battery
 - 18V 2.0Ah PXC Lithium-ion battery
 - 18V 2.5Ah PXC Lithium-ion battery
 - 18V 3.0Ah PXC Lithium-ion battery
 - 18V 4.0Ah PXC Lithium-ion battery
 - 18V 3.0Ah PXC Plus Lithium-ion battery
 - 18V 4.0Ah PXC Plus Lithium-ion battery
 - 18V 5.2Ah PXC Plus Lithium-ion battery
 - 18V 4.0Ah/6.0Ah PXC Plus Lithium-ion battery
 - 18V 5.0Ah/8.0Ah PXC Plus Lithium-ion battery
- Do not dispose of the battery in a fire. The cell may explode. Check with local codes for possible special disposal instructions.
- Do not open or mutilate the battery. Released electrolyte is corrosive and may cause damage to the eyes or skin. It may be toxic if swallowed.
- Exercise care in handling the battery in order not to short it with conducting materials such as rings, bracelets, and keys. The battery or conductor may overheat and cause burns.

3.) AVOID UNINTENTIONAL STARTING – DO NOT INSERT BATTERY WHILE YOUR FINGER IS ON THE SWITCH. BE SURE SWITCH IS OFF WHEN INSERTING THE BATTERY.

GENERAL SAFETY WARNINGS FOR THE BATTERY PACK

- Dispose of used battery promptly and properly. When disposing of secondary cells or batteries, keep cells or batteries of different electrochemical systems separate from each other.
- Keep battery out of reach of children and in original package until ready to use.
- Never put batteries in one's mouth. If swallowed, contact local poison control centre immediately.
- CAUTION – The battery used in this device may present a risk of fire or chemical burn if mishandled. Replace battery with Einhell/lawn master brand only. Use of another battery may present a risk of fire or explosion.
- WARNING: Do not use a visibly damaged battery pack or appliance.
- WARNING: Do not modify or attempt to repair the appliance or the battery pack.
- BATTERIES MUST BE RECYCLED.**
- Do not short-circuit a cell or battery. Do not store cells or batteries haphazardly in a box or drawer where they may short-circuit each other or be short-circuited by conductive materials.
- Do not subject cells or batteries to mechanical shocks.
- Keep cells and batteries clean and dry. Wipe the cell or battery terminals with a clean dry cloth if they become dirty.
- Do not maintain secondary cells and batteries on charge when not in use.
- Retain the original cell and battery. Do not use any charger other than that specifically provided for use with the equipment. Secondary cells and batteries need to be charged before use. Always use the correct charger and refer to the manufacturer's instructions or equipment manual for proper charging instructions.
- When possible, remove the battery from the equipment when not in use.
- Prevent unintentional starting. Ensure the switch is in the off-position before connecting to the battery pack, picking up or carrying the appliance. Carrying the appliance with your finger on the switch or energizing appliances

- that have the switch on invites accidents.
- Disconnect the battery pack from the appliance before making any adjustments, changing accessories, or storing appliance. Such preventive safety measures reduce the risk of starting the appliance accidentally.
- Under abusive conditions, liquid may be ejected from the battery; avoid contact. If contact accidentally occurs, flush with water. If liquid contacts eyes, additionally seek medical help. Liquid ejected from the battery may cause irritation or burns.
- Have servicing performed by a qualified repair person using only identical replacement parts. This will ensure that the safety of the product is maintained.
- **Protect your rechargeable battery against moisture, rain and high humidity.** Moisture, rain and high humidity can cause dangerous cell damage. Never charge or work with batteries which have been exposed to moisture, rain or high humidity – replace them immediately.
- If your equipment is fitted with a detachable battery, remove the battery for safety reasons after you have finished your work.

IMPORTANT SAFETY INSTRUCTIONS FOR CHARGER

WARNING: This product may contain lead, phthalate or other chemicals known to the State of California to cause cancer, birth defects and other reproductive harm. Please wash your hands after use.

Protection from environmental influences

1. Wear suitable work clothes. Wear safety goggles.
2. **Protect your cordless tool and the battery charger from moisture and rain.** Moisture and rain can cause dangerous cell damage.
3. Do not use the cordless tool or the battery charger near vapors and inflammable liquids.
4. Use the battery charger and cordless tools only in dry conditions and an ambient temperature of 50°F to 104°F (10°C to 40°C).
5. Do not keep the battery charger in places where the temperature is liable to reach over 104°F (40°C). In particular, do not leave the battery charger in a car that is parked in the sunshine.
6. **Protect batteries from overheating.** Overloads, over-charging and exposure to direct sunlight will result in overheating and cell damage. Never charge or work with

- batteries which have been overheated – replace them immediately if possible.
7. **Storage of batteries, battery chargers and cordless tools.** Store the charger and your cordless tool only in dry places with an ambient temperature of 50°F to 104°F (10°C to 40°C). Store the Lithium-Ion rechargeable battery in a cool and dry place at 50°F to 68°F (10°C to 20°C). Protect them from humidity and direct sunlight! Place only fully charged batteries in storage (charged at least 40%).
 8. Prevent the Lithium-Ion battery pack from freezing. Battery packs which were stored below 32°F (0°C) for more than 60 minutes must be disposed of.
 9. When handling batteries beware of electrostatic charge: Electrostatic discharges cause damage of the electronic protection system and the battery cells. Avoid electrostatic charging and never touch the battery poles.

General safety information for power tools DANGER!

Read all the safety information and instructions. Failure to adhere to the safety information and instructions set out below may result in electric shock, fire and/or serious injury. **Keep all the safety information and instructions in a safe place for future use.**

General safety information for power tools

The term "power tool" used in the safety regulations refers to power tools operated from the mains power supply (with a power cable) and to battery operated power tools (without a power cable).

- 1) **Work area safety**
 - a) **Keep work area clean and well lit.** *Cluttered and dark areas invite accidents.*
 - b) **Do not operate power tools in explosive atmospheres, such as in the presence of flammable liquids, gases or dust.** *Power tools create sparks which may ignite the dust or fumes.*
 - c) **Keep children and bystanders away while operating a power tool.** *Distractions can cause you to lose control.*
- 2) **Electrical safety**
 - a) **Power tool plugs must match the outlet. Never modify the plug in any way. Do not use any adapter plugs with earthed (grounded) power tools.** *Unmodified plugs*

and matching outlets will reduce risk of electric shock.

- b) **Avoid body contact with earthed or grounded surfaces such as pipes, radiators, ranges and refrigerators.** *There is an increased risk of electric shock if your body is earthed or grounded.*
- c) **Do not expose power tools to rain or wet conditions.** *Water entering a power tool will increase the risk of electric shock.*
- d) **Do not abuse the cord. Never use the cord for carrying, pulling or unplugging the power tool. Keep cord away from heat, oil, sharp edges or moving parts.** *Damaged or entangled cords increase the risk of electric shock.*
- e) **When operating a power tool outdoors, use an extension cord suitable for outdoor use.** *Use of a cord suitable for outdoor use reduces the risk of electric shock.*
- f) **If operating a power tool in a damp location is unavoidable, use a ground fault circuit interruptor (GFCI) protected supply.** *Use of an GFCI reduces the risk of electric shock.*

3) Personal safety

- a) **Stay alert, watch what you are doing and use common sense when operating a power tool. Do not use a power tool while you are tired or under the influence of drugs, alcohol or medication.** *A moment of inattention while operating power tools may result in serious personal injury.*
- b) **Use personal protective equipment. Always wear eye protection.** *Protective equipment such as dust mask, non-skid safety shoes, hard hat, or hearing protection used for appropriate conditions will reduce personal injuries.*
- c) **Prevent unintentional starting. Ensure the switch is in the Off-position before connecting to power source and/or BATTERY pack, picking up or carrying the tool.** *Carrying power tools with your finger on the switch or energizing power tools that have the switch on invites accidents.*
- d) **Remove any adjusting key or wrench before turning the power tool on.** *A wrench or a key left attached to a rotating part of the power tool may result in personal injury.*
- e) **Do not overreach. Keep proper footing and balance at all times.** *This enables better control of the power tool in unexpected*

situations.

- f) **Dress properly. Do not wear loose clothing or jewellery. Keep your hair, clothing and gloves away from moving parts.** *Loose clothes, jewelery or long hair can be caught in moving parts.*
 - g) **If devices are provided for the connection of dust extraction and collection facilities, ensure these are connected and properly used.** *Use of these devices can reduce dust related hazards.*
 - h) **Do not let familiarity gained from frequent use of tools allow you to become complacent and ignore tool safety principles.** *A careless action can cause severe injury within a fraction of a second.*
- ### 4) Power tool use and care
- a) **Do not force the power tool. Use the correct power tool for your application.** *The correct power tool will do the job better and safer at the rate for which it was designed.*
 - b) **Do not use the power tool if the switch does not turn it on and off.** *Any power tool that cannot be controlled with the switch is dangerous and must be repaired.*
 - c) **Disconnect the plug from the power source and/or remove the battery pack, if detachable, from the power tool before making any adjustments, changing accessories, or storing power tools.** *Such preventive safety measures reduce the risk of starting the power tool accidentally.*
 - d) **Store idle power tools out of the reach of children and do not allow persons unfamiliar with the power tool or these instructions to operate the power tool.** *Power tools are dangerous in the hands of untrained users.*
 - e) **Maintain power tools and accessories. Check for misalignment or binding of moving parts, breakage of parts and any other condition that may affect the power tool's operation. If damaged, have the power tool repaired before use.** *Many accidents are caused by poorly maintained power tools.*
 - f) **Keep cutting tools sharp and clean.** *Properly maintained cutting tools with sharp cutting edges are less likely to bind and are easier to control.*
 - g) **Use the power tool, accessories and tool bits etc., in accordance with these instructions and in the manner**

intended for the particular type of power tool, taking into account the working conditions and the work to be performed.

Use of the power tool for operations different from intended could result in a hazardous situation.

- h) **Keep handles and grasping surfaces dry, clean and free from oil and grease.** *Slippery handles and grasping surfaces do not allow for safe handling and control of the tool in unexpected situations.*
- 5) **Battery tool use and care**
 - a) **Recharge only with the charger specified by the manufacturer.** *A charger that is suitable for one type of battery pack may create a risk of fire when used with another battery pack.*
 - b) **Use power tools only with specifically designated battery packs.** *Use of any other battery packs may create a risk of injury and fire.*
 - c) **When battery pack is not in use, keep it away from other metal objects, like paper clips, coins, keys, nails, screws or other small metal objects that can make a connection from one terminal to another.** *Shorting the battery terminals together may cause burns or a fire.*
 - d) **Under abusive conditions, liquid may be ejected from the battery; avoid contact. If contact accidentally occurs, flush with water. If liquid contacts eyes, additionally seek medical help.** *Liquid ejected from the battery may cause irritation or burns.*
 - e) **Do not use a BATTERY pack or tool that is damaged or modified.** *Damaged or modified batteries may exhibit unpredictable behavior resulting in fire, EXPLOSION or risk of injury.*
 - f) **Do not expose a BATTERY pack or tool to fire or excessive temperature.** *Exposure to fire or temperature above 266°F (130°C) may cause explosion.*
 - g) **Follow all charging instructions and do not charge the BATTERY pack or tool outside the temperature range specified in the instructions.** *Charging improperly or at temperatures outside the specified range may damage the BATTERY and increase the risk of fire.*

6) Service

- a) **Have your power tool serviced by a qualified repair person using only identical replacement parts.** *This will ensure that the safety of the power tool is maintained.*
- b) **Never service damaged BATTERY packs.** *Service of BATTERY packs should only be performed by the manufacturer or authorized service providers.*

Hedge trimmer safety warnings

- a) **Keep all parts of the body away from the blade. Do not remove cut material or hold material to be cut when blades are moving.** *Blades continue to move after the switch is turned off. A moment of inattention while operating the hedge trimmer may result in serious personal injury.*
- b) **Carry the hedge trimmer by the front handle with the blade stopped and taking care not to operate any power switch.** *Proper carrying of the hedge trimmer will decrease the risk of unintentional starts and personal injury from blades.*
- c) **When transporting or storing the hedge trimmer, always fit the blade cover.** *Proper handling of the hedge trimmer will decrease the risk of personal injury from the blades.*
- d) **When clearing jammed material or servicing the unit, make sure all power switches are off and the battery pack is removed or disconnected.** *Unexpected actuation of the hedge trimmer while clearing jammed material or servicing may result in serious personal injury.*
- e) **Hold the hedge trimmer by insulated gripping surfaces only, because the blade may contact hidden wiring.** *Blades contacting a "live" wire may make exposed metal parts of the hedge trimmer "live" and could give the operator an electric shock.*
- f) **Keep all power cords and cables away from cutting area.** *Power cords or cables may be hidden in hedges or bushes and can be accidentally cut by the blade.*
- g) **Do not use the hedge trimmer in bad weather conditions, especially when there is a risk of lightning.** *This decreases the risk of being struck by lightning.*
- h) **Check the hedges and bushes for foreign objects, e.g. wire fences and hidden wiring.**
- i) **Hold the hedge trimmer properly, e.g. with both hands if two handles are provided.**

- j) **The hedge trimmer is intended to be used by the operator at ground level and not on ladders or any other unstable support.**
- k) **Before operating the hedge trimmer, the user should make sure the locking device(s) of any moving elements (e.g. the extended shaft and pivoting element), if any, are in the locked position.**

SAVE THESE INSTRUCTIONS

2. Layout and items supplied

2.1 Layout

1. Grass cutter blade
2. Safety lock-off
3. On/Off switch
4. Blade release mechanism
5. Hedge cutter blade
6. Grass cutter blade guard
7. Hedge cutter blade guard
8. Battery capacity indicator
9. Battery capacity indicator button

2.2 Items supplied

Please check that the article is complete as specified in the scope of delivery. If parts are missing, please contact our service center or the store where you made your purchase at the latest within 5 work days after purchasing the article and upon presentation of a valid bill of purchase.

- Open the packaging and take out the equipment with care.
- Remove the packaging material and any packaging and/or transportation braces (if present).
- Check to see if all the items are supplied.
- Inspect the equipment and accessories for transport damage.
- If possible, keep the packaging until the end of the guarantee period.

Danger!

The equipment and packaging material are not toys. Do not let children play with plastic bags, plastic sheets and small parts. There is a risk of choking and suffocating!

- Cordless Grass Shear and Hedge Trimmer
- Original operating instruction with safety information

Separately available accessories

- 18V 1.5Ah PXC Lithium-Ion battery
- 18V 2.0Ah PXC Lithium-Ion battery
- 18V 2.5Ah PXC Lithium-Ion battery
- 18V 3.0Ah PXC Lithium-Ion battery
- 18V 4.0Ah PXC Lithium-Ion battery
- 18V 3.0Ah PXC Plus Lithium-Ion battery
- 18V 4.0Ah PXC Plus Lithium-Ion battery
- 18V 5.2Ah PXC Plus Lithium-Ion battery
- 18V 4.0Ah/6.0Ah PXC Plus Lithium-Ion battery
- 18V 5.0Ah/8.0Ah PXC Plus Lithium-Ion battery
- 18V PXC Dual Port Fast Charger
- 18V PXC Fast Charger

Contact your local retailer for more specific models of batteries and charger available in your area. You can also explore battery + charger options at Einhell.com.

3. Intended use

The equipment is designed for cutting the edges of lawns and small areas of grass in private and hobby gardens. The equipment can be used to cut small hedges and shrubs.


Equipment designed for use in private and hobby gardens is regarded as unsuitable for use in public facilities, parks and sports centers, along roadways, or in agriculture and forestry. The operating instructions as supplied by the manufacturer must be followed to ensure that the equipment is used properly.

Warning! This equipment must not be used for composting purposes (shredding) as this could result in injury or damage to property.

The equipment is allowed to be used only for its prescribed purpose. Any other use is deemed to be a case of misuse. The user/operator and not the manufacturer will be liable for any damage or injuries of any kind resulting from such misuse.

Please note that our equipment has not been designed for use in commercial, trade or industrial applications. Our warranty will be voided if the equipment is used in commercial, trade or industrial businesses or for equivalent purposes.

4. Technical data

Motor power supply:	18V 
No load speed:	1200 RPM
Grass shear blade:	4"
Hedge trimmer blade:	7.9"
Hedge trimmer cutting diameter:	5/16"
Weight (Tool Only):	1.5 lbs

5. Before starting the equipment

The equipment is supplied without a battery and without a charger.

5.1 Fitting the battery (Fig. 4-5)

Push the battery into the battery mount provided. When the battery is positioned as in Fig. 5, make sure that the pushlock button latches in place! To take out the battery, press the pushlock button and remove the battery (Fig. 6).

6. Operation

The area to be cut must first be cleared of stones and other solid objects. The safety lock-off (Fig. 1/Item 2) prevents the equipment being switched on unintentionally.

Switching on (Fig. 7)

To switch on, press the safety lock-off (2) and press the On/Off switch (3) at the same time.

Switching off (Fig. 8)

To switch off the equipment, let go of the On/Off switch (3).

6.1 Charging the Lithium-Ion battery (not included)

The corresponding instructions can be found in the original operating instructions for your charger.

6.2 Battery capacity indicator (Fig. 3 / item 6)

Press the battery capacity indicator switch (7). The battery capacity indicator (6) shows the charge status of the battery using 3 LEDs.

All 3 LEDs lit:

The battery is fully charged.

2 or 1 LED(s) lit:

The battery has an adequate remaining charge.

1 LED flashing:

The battery is empty, recharge the battery.

All LEDs flashing:

The temperature of the battery is too low. Remove the battery from the device and leave it at room temperature for a day. If the error occurs again, this means that the battery has been completely depthdischarged and is defective. Remove the battery from the device. Never use or charge a defective battery.

6.3 Cutting grass

Allow the grass shear to glide over the ground. The best cutting performance is achieved on dry lawns.

When you notice a drop in cutting performance, recharge at once so that the batteries do not become fully discharged.

The blades must be kept in the blade guard when the grass shear is not in use.

6.4 Cutting hedges

Hold the hedge trimmer slightly tilted in the direction of the hedge you wish to cut.

Start by cutting the sides of the hedge working from the bottom up, and finally cut the top of the hedge.

Make sure that there are no foreign bodies in or alongside the hedge, which could damage the blades.

To prevent injuries, slip the blade guard over the blade.

6.5 Changing the blades

Warning! Risk of injury!

To prevent injuries, slip the blade guard over the blade.

To remove the blade, press the blade release mechanism (Fig. 9/Item 4) and pull out the blade (Fig. 10).

Once you have removed the blade you will be able to see the toothed wheels of the gear unit. Make sure that no dirt gets into the gear unit when you change the blade.

To assemble, proceed in the reverse order.

Caution! When the blade release mechanism is pressed (Fig. 9/Item 4), the blade (1) will drop out!

To remove the hedge cutter blade, follow the exact same procedure.

Fitting the blade (Fig. 11-12)

Insert the narrow end of the blade housing into the equipment housing. Press the blade release mechanism and then press the blade housing against the equipment housing until it engages with an audible click.

The procedure for fastening the hedge cutter blade is the exact same procedure.

7. Cleaning and maintenance

HAZARD!

Always take the battery out of the equipment before starting any cleaning work.

7.1 Cleaning

- Keep all safety devices, air vents and the motor housing free of dirt and dust as far as possible. Wipe the equipment with a clean cloth or blow it down with compressed air at low pressure.
- We recommend cleaning the equipment immediately each time after use.
- Clean the equipment regularly with a damp cloth and some soft soap. Do not use cleaning agents or solvents; these may be aggressive to the plastic parts in the equipment. Ensure that no water can get into the interior of the equipment. The ingress of water into an electric power tool increases the risk of an electric shock.
- The shears should be cleaned thoroughly every time before and after use. A few drops of oil (for example sewing machine oil) applied to the blades improve the cutting performance. However, never apply grease to the blades.
- To guarantee a constant exact cut, it is necessary that grass residues and dirt is removed also from the top and bottom blades.

Caution!

Because of the risk of injury or damage to property, never clean the product with running water, especially not with a pressure hose. Store the cordless grass shear and hedge trimmer in a dry and frost-free location. The storage place must be inaccessible to children.

7.2 Maintenance

- For good cutting performance the blades should always be sharp. They can therefore be resharpened with a whetstone. In particular, we recommend removing notches and ridges which are produced on the blades by stones or the like.
- There are no other parts inside the equipment which require maintenance.

8. Faults

The machine does not work

Check that the battery is charged and whether the charging unit is working. If the equipment will not work in spite of the voltage supply being OK, please contact our customer service.

9. Disposal and recycling

The equipment is supplied in packaging to prevent it from being damaged in transit. The raw materials in this packaging can be reused or recycled. The equipment and its accessories are made of various types of material, such as metal and plastic. Never place defective equipment in your household refuse. The equipment should be taken to a suitable collection center for proper disposal. If you do not know the whereabouts of such a collection point, you should ask in your local council offices.

10. Storage

Store the equipment and its accessories out of children's reach in a dark and dry place at above freezing temperature. The ideal storage temperature is between 50°F and 104°F (10°C and 40°C). Keep the electric tool in its original packaging.

The reprinting or reproduction by any other means, in whole or in part, of documentation and papers accompanying the products is strictly subject to the express consent of Einhell Germany AG.

Subject to technical changes.



Danger! - Lire le mode d'emploi pour diminuer le risque de blessures.



Éloignez les personnes de la zone de danger.



Protégez l'appareil de la pluie et de l'humidité !



DANGER — Éloignez les mains des lames.



DANGER : Gardez une distance suffisante par rapport aux câbles électriques.



Portez des lunettes de protection et un casque.



Conservez les batteries uniquement dans des locaux secs et à une température ambiante de 50-104 °F (+10-+40 °C). Conservez les batteries uniquement en état chargé (au moins 40 % de charge).

Danger !

Certaines mesures de sécurité doivent être respectées pendant l'utilisation des appareils pour empêcher les blessures et les dommages. Par conséquent, lisez attentivement le présent mode d'emploi / les consignes de sécurité. Conservez-les bien pour avoir les informations toujours à la portée de la main. Si vous devez passer l'appareil à d'autres personnes, veuillez leur remettre également le présent mode d'emploi / les consignes de sécurité. Nous ne sommes pas tenus des accidents ou dommages survenus à cause de non-respect du présent mode d'emploi et des consignes de sécurité.

1. Consignes de sécurité**Lisez toutes les instructions**

AVERTISSEMENT : Pendant l'utilisation des appareils électriques de jardinage, respectez toujours les mesures de sécurité pour réduire le risque d'incendie, de choc électrique et de blessures, y compris ce qui suit :

POUR TOUS LES APPAREILS

- Évitez les environnements dangereux – n'utilisez pas les appareils dans des endroits humides ou mouillés.
- Ne les utilisez pas sous la pluie.
- Éloignez les enfants, toutes les personnes et les animaux doivent être tenus à distance de la zone de travail.
- Habillez-vous correctement – ne portez pas de vêtements lâches ou des bijoux. Ils peuvent être happés par les pièces mobiles. Pour les travaux à l'extérieur, il est recommandé de porter des vêtements de protection, d'utiliser des gants de travail, de porter des pantalons longs, une chemise à manches longues et des chaussures de sécurité. Portez un couvre-chef pour recouvrir des cheveux longs.
- Utilisez des lunettes de sécurité – utilisez toujours un masque facial ou anti-poussière si l'endroit où vous travaillez est poussiéreux. Le but des règles de sécurité consiste à attirer votre attention sur les dangers potentiels. Les symboles de sécurité et leurs explications exigent votre attention et votre compréhension. Les avertissements de sécurité ne suppriment pas le risque à eux seuls. Les instructions ou avertissements qu'ils donnent ne remplacent pas les mesures adéquates de prévention d'accidents.
- Utilisez l'appareil approprié – n'utilisez pas l'appareil dans un autre but que celui pour lequel il a été conçu.
- Ne forcez pas l'appareil – il fonctionnera mieux et avec une moindre probabilité d'un risque ou d'une blessure à la vitesse pour laquelle il a été conçu.
- Ne vous penchez pas trop – gardez une bonne position et l'équilibre à tout instant.
- Restez vigilant. Utilisez du bon sens. N'utilisez pas l'appareil si vous êtes fatigué ou si vous vous trouvez sous l'emprise de drogues, d'alcool ou de médicaments.
- Si vous n'utilisez pas l'appareil, rangez-le dans un local sec inaccessible aux enfants.
- Entretenez l'appareil avec soin. Suivez les instructions de lubrification et de remplacement des accessoires. Gardez les poignées sèches, propres et exemptes d'huile et de graisse.
- Vérifiez les pièces endommagées. Avant d'utiliser l'appareil, assurez-vous que les dispositifs de sécurité sont intacts. N'utilisez jamais un outil sans son dispositif de sécurité. Vérifiez l'alignement de pièces mobiles, le coincement de pièces mobiles.
- Examinez les pièces cassées ou défectueuses qui peuvent affecter le fonctionnement en toute sécurité de votre outil. Une protection ou une autre pièce endommagée doit être correctement réparée ou remplacée par un centre de service autorisé, sauf indication contraire dans le présent mode d'emploi.
- Rechargez uniquement avec un chargeur spécifié par le fabricant. Un chargeur qui convient pour un type de batterie peut créer un risque d'incendie s'il est utilisé avec un autre bloc de batterie.
- Utilisez les appareils uniquement avec des batteries spécifiquement désignées. L'utilisation de tout autre batterie peut créer un risque de blessure et d'incendie.
- Lorsque la batterie n'est pas utilisée, conservez-la à l'écart d'autres objets métalliques, comme les trombones, les pièces de monnaie, les clés, les clous, les vis ou autres petits objets métalliques qui pourraient créer une connexion entre les bornes. La mise en court-circuit des bornes de batteries peut causer des brûlures ou un incendie.
- Dans des conditions abusives, un liquide peut sortir de la batterie, évitez le contact. En cas de contact accidentel, rincez avec de l'eau. En cas de contact du liquide avec les yeux,

consultez un médecin. Le liquide sorti de la batterie peut causer des irritations ou des brûlures. (Ce conseil est considéré comme juste pour les types de piles conventionnels de NiMh, NiCd, plomb-acide et Lithium-ion. Si ce conseil est inapproprié pour une onception de cellule différentes de celle-ci, le conseil judicieux peut être appliqué.

- N'utilisez pas une batterie ou un appareil endommagés ou modifiés. Les batteries endommagées ou modifiées peuvent agir de manière imprévisible et donner lieu à un incendie, une explosion ou un risque de blessure.
- N'exposez pas les batteries ou l'appareil au feu ou à des températures excessives. L'exposition au feu ou à une température supérieure à 130 °C (266 °F) peut provoquer une explosion.
- Suivre toutes les instructions de charge et ne pas charger la batterie ou l'appareil en dehors de la gamme de température spécifiée dans les instructions. Un mauvais chargement ou un chargement à des températures en dehors de la gamme spécifiée peut endommager la batterie et augmenter les risques d'incendie.
- Confiez le service à un réparateur qualifié qui utilise uniquement les pièces de rechange identiques. Cela permettra de maintenir la sécurité du produit.
- Ne modifiez pas est n'essayez pas de réparer l'appareil ou la batterie (si applicable), sauf exception indiquée dans les instructions d'utilisation et d'entretien.

1.) POUR TOUS LES APPAREILS SANS FIL

- Ne chargez pas l'appareil sous la pluie ou dans des locaux humides.
- N'utilisez pas les appareils à batterie sous la pluie. Retirez toujours la batterie avant l'ajustement, le nettoyage, le service ou le transport l'appareil de jardin.

2.) POUR TOUS LES PRODUITS SANS FIL AVEC UNE BATTERIE AMOVIBLE OU SÉPARABLE :

- Utilisez uniquement la batterie de type et de taille suivants :
 - 18V 1,5Ah PXC batterie Li-ion
 - 18V 2,0Ah PXC batterie Li-ion
 - 18V 2,5Ah PXC batterie Li-ion
 - 18V 3,0Ah PXC batterie Li-ion
 - 18V 4,0Ah PXC batterie Li-ion
 - 18V 3,0Ah PXC Plus batterie Li-ion
 - 18V 4,0Ah PXC Plus batterie Li-ion

18V 5,2Ah PXC Plus batterie Li-ion
 18V 4,0Ah/6,0Ah PXC Plus batterie Li-ion
 18V 5,0Ah/8,0Ah PXC Plus batterie Li-ion

- Ne jetez pas la batterie dans le feu. La cellule peut exploser. Consultez les règlements locaux pour connaître les instructions d'élimination spécifiques possibles.
- N'ouvrez ni n'abîmez la batterie. L'électrolyte libéré est corrosif et peut être dangereux pour les yeux ou la peau. Il peut être toxique s'il est avalé.
- Manipulez la batterie avec précaution afin de ne pas la court-circuiter avec des matériaux conducteurs, tels que les bagues, les bracelets et les clés. La batterie ou le conducteur peuvent surchauffer et causer des brûlures.

3.) ÉVITEZ UN DÉMARRAGE INTEMPESTIF – N'INSÉREZ PAS LA BATTERIE ALORS QUE VOTRE DOIGT EST SUR L'INTERRUPTEUR. ASSUREZ-VOUS QUE L'INTERRUPTEUR EST SUR L'ARRÊT EN INSÉRANT LA BATTERIE.

AVERTISSEMENTS DE SÉCURITÉ GÉNÉRAUX POUR LA BATTERIE

- Éliminez la batterie usée vite et promptement. Lors de l'élimination des piles secondaires ou des batteries, gardez les piles ou les batteries de différents systèmes électrochimiques séparément les unes des autres.
- Gardez la batterie hors de portée des enfants dans l'emballage d'origine jusqu'à son utilisation.
- Ne mettez jamais les batteries dans la bouche. Si elles sont avalées, contactez immédiatement le centre antipoison local.
- PRUDENCE – La batterie utilisée dans cet appareil peut présenter un risque d'incendie ou de brûlure chimique en cas de mauvaise manipulation. Remplacez uniquement la batterie de marque principale Einhell / gazon. L'utilisation d'une autre batterie peut présenter un risque d'incendie ou d'explosion.
- AVERTISSEMENT : N'utilisez pas une batterie ou un appareil visiblement endommagé.
- AVERTISSEMENT : Ne modifiez ni n'essayez de réparer l'appareil ou la batterie.
- **LES BATTERIES DOIVENT ÊTRE RECYCLÉES.**
- Ne court-circuitez une cellule ou une batterie. Ne conservez pas les piles ou les batteries au hasard dans une boîte ou un tiroir ou elles peuvent court-circuiter entre elles ou être court-circuitées par les matériaux conduc-

teurs.

- N'exposez pas les piles ou les batteries aux chocs mécaniques.
- Gardez les piles et les batteries dans un endroit propre et sec. Essuyez les bornes des piles ou des batteries avec un linge propre et sec si elles deviennent sales.
- Ne gardez pas les piles et les batteries chargées si vous ne les utilisez pas.
- Conservez la pile et la batterie d'origine. N'utilisez pas d'autres chargeurs que ceux qui sont spécifiquement fournies pour être utilisés avec l'équipement. Les piles et les batteries secondaires doivent être cherchées avant l'utilisation. Utilisez toujours le chargeur correct et référez-vous aux instructions du fabricant ou au mode d'emploi de l'équipement pour consulter les instructions de chargement correctes.
- Si possible, retirez la batterie de l'équipement lorsque vous ne l'utilisez pas.
- Empêchez tout démarrage non intentionnel. Assurez-vous que le bouton Marche/Arrêt est en position arrêt (OFF) avant de brancher la batterie, de prendre et de transporter l'outil. Le transport de l'appareil avec le doigt sur le bouton Marche/Arrêt ou la mise sous tension des appareils électriques dont le bouton Marche/Arrêt est en position marche (ON) peuvent causer des accidents.
- Débranchez la batterie de l'appareil avant de procéder aux ajustements, de remplacer les accessoires ou de ranger l'appareil. De telles mesures préventives réduisent le risque de démarrage accidentel de l'appareil.
- Dans des conditions abusives, un liquide peut sortir de la batterie, évitez le contact. En cas de contact accidentel, rincez avec de l'eau. En cas de contact du liquide avec les yeux, consultez un médecin. Le liquide sorti de la batterie peut causer des irritations ou des brûlures.
- Confiez le service à un réparateur qualifié qui utilise uniquement les pièces de rechange identiques. Cela permettra de maintenir la sécurité du produit.
- **Protégez votre batterie de l'humidité, de la pluie et de l'humidité de l'air élevée.** L'humidité, la pluie et l'humidité de l'air élevée peuvent endommager dangereusement les cellules. En aucun cas, ne chargez ni ne travaillez avec la batterie qui a été exposée à l'humidité, à la pluie ou à l'humidité de l'air élevée – remplacez-les immédiatement !
- Si votre appareil est équipé d'une batterie

amovible, retirez-la de votre appareil à la fin de votre travail pour des raisons de sécurité.

CONSIGNES DE SÉCURITÉ IMPORTANTES POUR LE CHARGEUR

AVERTISSEMENT : Ce produit peut contenir du plomb, du phtalate ou autres produits chimiques reconnus par l'État de Californie comme cause de cancer, d'anomalies congénitales et de lésions de l'appareil reproducteur. Veuillez laver vos mains après l'utilisation.

Protection contre l'impact environnemental

1. Portez des vêtements de travail appropriés. Porter des lunettes de protection.
2. **Protégez votre appareil sans fil et le chargeur contre l'humidité et la pluie.** L'humidité et la pluie peuvent entraîner des dommages dangereux des cellules.
3. Ne pas utiliser l'appareil sans fil et le chargeur dans un espace contenant des vapeurs et des liquides combustibles.
4. Utilisez le chargeur et les appareils sans fil uniquement en état sec et à une température ambiante de 50-104 °F (10-40 °C).
5. Ne conservez pas la batterie dans des endroits où la température peut être supérieure à 104 °F (40 °C), en particulier dans un véhicule garé au soleil.
6. **Protégez les batteries contre la surchauffe !** Une surcharge, un chargement excessif ou le rayonnement solaire entraînent la surchauffe et détériorent les cellules. Ne chargez ni travaillez en aucun cas avec les batteries qui ont été surchauffées, remplacez-les sans tarder.
7. **Conservation des batteries, des chargeurs et de l'appareil sans fil.** Conservez le chargeur et votre appareil sans fil uniquement dans des locaux secs à une température ambiante de 50-104 °F (10-40 °C). Conservez la batterie Lithium-Ion au frais et au sec à 50-68 °F (10-20 °C). Protégez contre l'humidité de l'air et le rayonnement solaire direct ! Conservez les batteries uniquement en état chargé (au moins 40 % de charge).
8. Empêchez que la batterie Lithium-Ion gèle. Les batteries qui ont été conservées plus de 60 minutes au-dessous de 32 °F (0 °C) doivent être éliminées.
9. Attention lors de la manipulation des batteries en rapport avec la charge électrostatique : les décharges électrostatiques endommagent la protection électronique et les cellules de la batterie ! Par conséquent, évitez les

décharges électrostatiques et ne touchez jamais les pôles de la batterie !

Consignes générales de sécurité pour les outils électriques

Danger !

Lisez toutes les consignes de sécurité et instructions. Le non-respect des consignes de sécurité et des instructions peut causer une électrocution, un incendie et / ou de graves blessures. **Conservez toutes les consignes de sécurité et instructions pour l'avenir.**

Consignes générales de sécurité pour les outils électriques

Le terme « outil électrique » utilisé dans les consignes de sécurité se réfère à des outils électriques alimentés par le secteur (avec câble d'alimentation) et à des outils électriques alimentés par la batterie (sans câble d'alimentation).

1. Sécurité du lieu de travail

- a) **Maintenez votre espace de travail propre et bien éclairé.** *Le désordre ou les espaces de travail non éclairés peuvent provoquer des accidents.*
- b) **Ne travaillez pas avec l'outil électrique dans une atmosphère explosible contenant des liquides, des gaz ou des poussières combustibles.** *Les appareils électriques génèrent des étincelles pouvant enflammer la poussière ou les vapeurs.*
- c) **Tenez à distance les enfants et autres personnes lors de l'utilisation de l'appareil électrique.** *En cas de distraction, vous pouvez perdre le contrôle de l'appareil.*

2. Sécurité électrique

- a) **La fiche de raccordement de l'appareil électrique doit être adaptée à la prise. La fiche ne doit être modifiée en aucune façon. N'utilisez pas de fiche d'adaptateur avec les outils électriques mis à la terre.** *Les fiches non modifiées et les prises adaptées diminuent le risque d'une électrocution.*
- b) **Évitez le contact physique avec les surfaces mises à la terre, comme celles de conduits, des chauffages, des cuisinières et des réfrigérateurs.** *Il existe un risque élevé d'électrocution lorsque votre corps est mis à la terre.*
- c) **Gardez les appareils électriques à l'abri de la pluie ou de l'humidité.** *La pénétration de l'eau dans un appareil électrique augmente le risque d'une électrocution.*

- d) **Ne détournez pas le câble de sa fonction pour porter ou pour accrocher l'appareil électrique ou pour retirer la fiche de la prise. Gardez le câble à l'abri de la chaleur, de l'huile, des bords coupants ou des éléments mobiles de l'appareil.** *Les câbles endommagés ou enchevêtrés augmentent le risque d'une électrocution.*
- e) **Si vous travaillez avec un appareil électrique dehors, utilisez uniquement une rallonge adaptée à l'usage à l'extérieur.** *L'utilisation d'une rallonge adaptée à l'usage à l'extérieur diminue le risque d'une électrocution.*
- f) **Si l'appareil électrique doit être utilisé dans un environnement humide, utilisez un Disjoncteur de fuite à la terre.** *L'utilisation d'un disjoncteur de fuite à la terre diminue le risque d'une électrocution.*

3. Sécurité des personnes

- a) **Soyez attentif, prenez garde à ce que vous faites et soyez raisonnable en travaillant avec un outil électrique. N'utilisez pas un appareil électrique si vous êtes fatigué ou si vous vous trouvez sous l'effet de drogues, d'alcool ou de médicaments.** *Un instant d'inattention lors de l'utilisation de l'appareil électrique peut entraîner de graves blessures.*
- b) **Utilisez l'équipement de protection individuelle. Porter toujours une protection des yeux.** *L'équipement de protection, tel que le masque anti-poussière, les chaussures de sécurité antidérapantes, le casque protecteur ou la protection auditive utilisés dans des conditions appropriées, permet de réduire les dommages corporels.*
- c) **Évitez tout démarrage non intentionnel. S'assurer que le bouton marche-arrêt est en position Arrêt (Off) avant de connecter la source de courant et/ou la BATTERIE, de prendre et de transporter l'outil.** *Transporter des outils électriques avec votre doigt sur le bouton marche-arrêt ou mettre sous tension des outils électriques dont le bouton marche-arrêt est position Marche (On) peut causer des accidents.*
- d) **Avant d'allumer l'outil électrique, retirez les outils de réglage ou les clés.** *Un outil ou une clé se trouvant dans un élément tournant de la machine peut entraîner des blessures.*
- e) **Évitez une posture anormale. Ayez un appui stable et gardez l'équilibre en per-**

manence. Vous pouvez ainsi mieux contrôler l'outil électrique dans des situations imprévues.

- f) **Portez des vêtements appropriés. Ne portez pas de vêtements amples ni de bijoux. Gardez les cheveux, les vêtements et les gants à distance des éléments mobiles.** Des vêtements amples, bijoux ou longs cheveux peuvent être happés par les éléments mobiles.
 - g) **Si des dispositifs d'aspiration ou de récupération des poussières peuvent être montés, assurez-vous qu'ils sont connectés et peuvent être utilisés correctement.** L'utilisation d'une aspiration des poussières peut diminuer les risques causés par la poussière.
 - h) **La familiarité acquise par l'utilisation fréquente des outils ne doit pas laisser place à la complaisance et à l'ignorance des principes de sécurité de l'outil.** Une action imprudente peut causer de graves blessures en une fraction de seconde.
- 4. Utilisation et traitement de l'outil électrique**
- a) **Ne surchargez pas l'appareil.** Utilisez l'outil électrique adapté à votre application. Vous travaillez mieux et de manière plus sûre avec un outil électrique approprié dans la gamme de puissance indiquée.
 - b) **N'utilisez pas un outil électrique avec un interrupteur défectueux.** Un outil électrique qui ne peut plus être allumé ou éteint est dangereux et doit être réparé.
 - c) **Débranchez la fiche de la source électrique et / ou retirez la batterie de l'outil électrique, si elle est amovible, avant de procéder à des ajustements, remplacer des accessoires ou ranger les outils électriques.** De telles mesures préventives réduisent le risque de démarrage accidentel de l'outil électrique.
 - d) **Conservez les outils électriques non utilisés hors la portée des enfants. Ne permettez pas aux personnes qui ne sont pas familiarisées avec cet appareil ou qui n'ont pas lu ces instructions de l'utiliser.** Les outils électriques sont dangereux lorsqu'ils sont utilisés par des personnes inexpérimentées.
 - e) **Entretenez les outils électriques et les accessoires. Vérifiez la dérive d'alignement ou l'attache des pièces mobiles, la rupture des pièces et s'assurer qu'au-**

cun autre problème peut affecter le bon fonctionnement de l'outil électrique. Faire réparer l'outil endommagé avant l'utilisation. De nombreux accidents sont dus au mauvais entretien des outils électriques.

- f) **Maintenez vos outils de coupe aiguisés et propres.** Les outils de coupe aux bords tranchants bien soignés se coincent moins et sont plus aisés à guider.
 - g) **Utilisez l'outil électrique, les accessoires, les outils utilisés, etc. conformément au présent mode d'emploi. Tenez compte des conditions de travail et de l'activité à réaliser.** L'utilisation des outils électriques pour des usages autres que prévus peut entraîner des situations dangereuses.
 - h) **Gardez les poignées et les surfaces de prise sèches, propres et exemptes d'huile et de graisse.** Les poignées et surfaces de prise glissantes ne permettent pas d'effectuer une manipulation et un contrôle de l'outil en toute sécurité dans des situations imprévues.
- 5. Utilisation et traitement de l'outil sans fil**
- a) **Chargez les batteries uniquement dans les chargeurs recommandés par le fabricant.** L'utilisation d'un chargeur pour des batteries non appropriées présente un risque d'incendie.
 - b) **Utilisez dans les outils électriques uniquement les batteries prévues à cet effet.** L'utilisation d'autres batteries peut entraîner des blessures et le risque d'incendie.
 - c) **Conservez la batterie non utilisée à distance des trombones, pièces de monnaie, clés, clous, vis ou autres menus objets en métal susceptibles de provoquer un pontage des contacts.** Un court-circuit entre les contacts de la batterie peut entraîner des brûlures ou le feu.
 - d) **En cas d'utilisation incorrecte, un liquide peut s'échapper de la batterie. Ne le touchez pas. Rincez à l'eau en cas de contact fortuit. Si le liquide entre en contact avec les yeux, consultez également le médecin.** Le liquide s'échappant de la batterie peut causer des irritations cutanées ou des brûlures.
 - e) **Ne pas utiliser une BATTERIE ou un outil endommagé(e) ou modifié(e).** Les batteries endommagées ou modifiées peuvent agir de manière imprévisible et donner lieu à un incendie, une EXPLOSION ou un risque de blessure.

f) **Ne pas exposer une BATTERIE ou un outil au feu ou à une température excessive.** Une exposition au feu ou à une température supérieure à 266°F (130°C) peut causer une explosion.

g) **Suivre toutes les instructions de charge et ne pas charger la BATTERIE ou l'outil en dehors de la gamme de température spécifiée dans les instructions.** Un mauvais chargement ou un chargement à des températures en dehors de la gamme spécifiée peut endommager la BATTERIE et augmenter les risques d'incendie.

6. Service

- a) **Faites réparer votre outil électrique uniquement par des spécialistes qualifiés et uniquement avec des pièces de rechange d'origine.** Cela garantit le maintien de la sécurité de l'outil électrique.
- b) **Ne jamais entretenir des BATTERIES endommagées.** L'entretien des BATTERIES doit être effectué uniquement par le fabricant ou par des prestataires de service autorisés.

Avertissements de sécurité pour taille-haies

- a) **Gardez toutes les parties du corps éloignées de la lame. Ne retirez pas le matériau coupé et ne tenez pas le matériau à couper lorsque les lames sont en mouvement.** La perte de contrôle pourra survenir à cause d'un usage à une main, ce qui causera aussi des blessures graves.
- b) **Portez le taille-haie par la poignée avant avec la lame à l'arrêt et en prenant soin de n'actionner aucun interrupteur d'alimentation.** Un port approprié du taille-haie réduira le risque de démarrage accidentel et de blessures corporelles résultant des lames.
- c) **Lors du transport ou de l'entreposage du taille-haie, toujours mettre le garde de protection de la lame.** Bien manipuler le taille-haie permettra de minimiser le risque de blessures physiques causées par les lames.
- d) **Lors du retrait du matériel coincé ou de l'entretien de l'unité, veuillez s'assurer que tous les interrupteurs marche/arrêt sont éteints et la batterie est débranchée.** L'activation imprévue du taille-haie lors d'une tâche de débouillage ou d'entretien pourra causer des blessures physiques graves.
- e) **Ne tenir l'outil que par les surfaces de prise isolées puisque la lame pourra entrer en contact avec des fils électriques cachés.** Les lames qui entrent en contact

avec un fil sous tension « électrifient » les pièces en métal de la machine qui soient exposées, ce qui pourra électrocuter l'utilisateur.

- f) **Tenir tous les fils et les cordons électriques à l'écart de l'aire de coupe.** Il est possible que des fils et des cordons électriques soient cachés parmi les haies ou les arbustes et que la lame puisse les couper par hasard.
- g) **Ne pas utiliser le taille-haie par mauvais temps, particulièrement s'il y a un risque d'éclairs.** Ceci minimisera les probabilités d'être touché par la foudre.
- h) **Vérifiez la présence d'objets étrangers, p. ex, les clôtures métalliques et câbles dissimulés dans les haies et buissons.**
- i) **Tenez le taille-haie correctement, p. ex., avec les deux mains s'il y a deux poignées.**
- j) **Le taille-haie est conçu pour l'utilisation par un opérateur se trouvant au sol et non pas sur des échelles ou autres supports instables.**
- k) **Avant de mettre le taille-haie en service, l'opérateur doit s'assurer que le/les dispositif(s) de verrouillage de tous les éléments mobiles (par exemple, le manche allongé et l'élément pivotant), le cas échéant, sont en position verrouillée.**

CONSERVEZ CES INSTRUCTIONS

2. Description de l'appareil et contenu de l'emballage

2.1 Description de l'appareil

1. Lame de cisaille à gazon
2. Verrouillage de mise en marche
3. Interrupteur de marche/arrêt
4. Déverrouillage de la lame
5. Lame pour taille-haie
6. Garde de protection de la lame de cisaille à gazon
7. Garde de protection de la lame de taille-haie
8. Témoin de charge de la batterie
9. Bouton de témoin de charge de la batterie

2.2 Contenu d'emballage

Veuillez contrôler l'intégralité de l'article au moyen du contenu d'emballage décrit. En cas de pièces manquantes, veuillez contacter notre centre de service à la clientèle ou le point de vente où vous avez acheté l'appareil au plus tard dans les 5

jours ouvrables à compter de l'achat de l'article en présentant un ticket de caisse valable.

- Ouvrez l'emballage et retirez prudemment l'appareil.
- Enlevez le matériau d'emballage ainsi que les sécurités d'emballage et de transport (le cas échéant).
- Vérifiez l'intégralité du contenu d'emballage.
- Vérifiez si l'appareil et les accessoires présentent des dommages dus au transport.
- Si possible, conservez l'emballage jusqu'à l'expiration de la durée de garantie.

Danger !

L'appareil et le matériau d'emballage ne sont pas un jouet ! Les enfants ne doivent pas jouer avec des sachets en plastique, des films ou de petites pièces ! Il existe le risque d'ingestion et de suffocation !

- Cisaille à gazon et taille-haie sans fil
- Mode d'emploi d'origine avec consignes de sécurité

Accessoires disponibles séparément

18V 1,5Ah PXC batterie Lithium-Ion
 18V 2,0Ah PXC batterie Lithium-Ion
 18V 2,5Ah PXC batterie Lithium-Ion
 18V 3,0Ah PXC batterie Lithium-Ion
 18V 4,0Ah PXC batterie Lithium-Ion
 18V 3,0Ah PXC Plus batterie Lithium-Ion
 18V 4,0Ah PXC Plus batterie Lithium-Ion
 18V 5,2Ah PXC Plus batterie Lithium-Ion
 18V 4,0Ah/6,0Ah PXC Plus batterie Lithium-Ion
 18V 5,0Ah/8,0Ah PXC Plus batterie Lithium-Ion
 18V PXC chargeur rapide à double raccord
 18V PXC chargeur rapide

Contactez votre détaillant pour les modèles plus spécifiques de batteries et de chargeurs disponibles dans votre région. Vous pouvez également explorer les options de batterie + chargeur sur Einhell.com.

3. Utilisation conforme

L'appareil est destiné à couper les bordures et les petites surfaces d'herbe dans le jardin privé. L'appareil peut être utilisé pour couper de petits arbustes et haies.

Les équipements conçus pour être utilisés dans les jardins privés sont considérés comme in-


daptés à une utilisation dans les installations publiques, les parcs et les centres sportifs, le long des routes ou dans l'agriculture et la foresterie. Le respect du mode d'emploi fourni par le fabricant constitue la condition de l'utilisation conforme de l'appareil.

Avertissement ! L'appareil ne doit pas être utilisé pour le broyage au sens de compostage à cause de risques de dommages corporels et matériels.

La machine ne doit être utilisée que conformément à sa destination. Toute autre utilisation dépassant ce cadre n'est pas conforme. C'est l'utilisateur / l'opérateur qui est responsable de tous les dommages ou blessures de toute nature en résultant et non pas le fabricant.

Veillez noter que nos appareils n'ont pas été conçus pour une utilisation commerciale, artisanale ou industrielle. Nous n'accordons aucune garantie si l'appareil est utilisé dans des entreprises commerciales, artisanales ou industrielles ou pour des activités équivalentes.

4. Caractéristiques techniques

Alimentation électrique du moteur: 18V 
 Régime à vide: 1200 tr/min
 Lame de cisaille à gazon: 100 mm (4")
 Lame de taille-haie: 200 mm (7,9")
 Diamètre de taille-haie: 8 mm (5/16")
 Poids (outil seulement): 0,7 kg (1,5 lb)

5. Avant la mise en service

L'appareil est livré sans batterie ni chargeur !

5.1 Montage de la batterie (fig. 4-5)

Poussez la batterie dans le compartiment prévu à cette fin. Dès que la batterie est en position montrée à la figure 5, prendre garde à l'enclenchement de la touche de verrouillage ! Pour retirer la batterie, appuyez sur la touche de verrouillage et retirez la batterie (fig. 6).

6. Fonctionnement

Déblayez préalablement la surface à couper de pierres et autres objets solides. Le verrouillage de mise en marche (fig. 1 / pos. 2) empêche une mise en marche inattendue de l'appareil.

Mise en marche (fig. 7)

Pour mettre en marche, enfoncer le verrouillage de mise en marche (2) et actionner simultanément l'interrupteur de marche / arrêt (3).

Mise à l'arrêt (fig. 8)

Pour arrêter l'appareil, relâchez l'interrupteur de marche/arrêt (3).

6.1 Chargement de la batterie au Lithium-Ion (non inclus)

Vous trouverez les instructions correspondantes dans le mode d'emploi d'origine de votre chargeur.

6.2 Affichage de la capacité de la batterie (image 3/Pos. 6)

Appuyez sur l'interrupteur de l'affichage de la capacité de la batterie (7). L'affichage de la capacité de la batterie (6) signale l'état de charge de la batterie au moyen de 3 DEL.

Les 3 DEL s'allument:

La batterie est complètement chargée.

2 ou 1 DEL s'allument:

La batterie a une charge résiduelle suffisante.

1 DEL clignote:

La batterie est déchargée, chargez la batterie.

Tous les voyants clignotent :

La température de la batterie est trop basse. Retirez la batterie de l'appareil, laissez-la à température ambiante pendant une journée. Si le défaut se reproduit, cela signifie que la batterie rechargeable a subi une décharge complète et est défectueuse. Retirez la batterie de l'équipement. N'utilisez ou ne chargez jamais une batterie défectueuse.

6.3 Couper l'herbe

Glissez la cisaille à gazon au-dessus du sol. Les meilleures performances de coupe sont obtenues si l'herbe est sèche.

Dès que la performance de coupe commence à faiblir, rechargez immédiatement la batterie afin

d'éviter un déchargement complet de la batterie. Si la cisaille à gazon n'est pas utilisée, mettez le garde de protection de lame sur la lame.

6.4 Couper les haies

Inclinez légèrement le taille-haie dans le sens de la haie à sculpter.

Sculptez d'abord les côtés, de bas en haut, puis la face supérieure.

Faites attention aux objets étrangers dans ou sur la haie au risque d'endommager la lame.

Pour éviter les blessures, mettez le garde de protection de lame sur la lame.

6.5 Remplacement des lames

Avertissement ! Risque de blessures !

Pour éviter les blessures, mettez le garde de protection de lame sur la lame.

Pour retirer les lames, appuyez sur le déverrouillage de la lame (fig. 9 / pos. 4) et enlevez la lame (fig. 10).

Lorsque la lame est retirée, l'on peut voir les engrenages de transmission. Pendant le remplacement de la lame, évitez la pénétration des saletés dans la transmission.

Le montage s'effectue dans l'ordre inverse.

Attention ! La lame (1) tombe lorsque l'on appuie sur le déverrouillage de la lame (fig. 9 / pos. 4) !

Pour retirer la lame du taille-haie, procédez de la même manière.

Montage de la lame (fig. 11-12)

Introduisez le côté étroit du logement de la lame dans le boîtier de l'appareil. Appuyez sur le déverrouillage de la lame et ensuite le logement de la lame contre le boîtier de l'appareil jusqu'à ce qu'il s'enclenche de façon audible.

La lame du taille-haie est fixée de la même manière.

7. Nettoyage et entretien

Danger !

Avant tout travail de nettoyage, retirez la batterie de l'appareil.

7.1 Nettoyage

- Maintenez les dispositifs de protection, les fentes d'aération et les carters de moteur aussi exempt de poussières et de saletés que possible. Frottez l'appareil avec un linge propre et nettoyez-le à l'air comprimé à basse pression.
- Nous recommandons de nettoyer l'appareil directement après chaque utilisation.
- Nettoyez l'appareil régulièrement avec un linge humide et un peu de savon doux. N'utilisez pas de détergeant ni de solvants ; ils peuvent détériorer les éléments en plastique de l'appareil. Veillez à ce que l'eau ne puisse pas pénétrer à l'intérieur de l'appareil. La pénétration de l'eau dans un appareil électrique augmente le risque d'une électrocution.
- L'appareil doit être soigneusement nettoyé avant et après l'utilisation. Quelques gouttes d'huile (p. ex., l'huile pour les machines à coudre) sur les lames améliorent la performance de coupe. Pourtant, ne graisser jamais les lames.
- Pour avoir une coupe toujours exacte, il est nécessaire d'enlever également l'herbe et les saletés accumulées entre la lame supérieure et la lame inférieure.

Attention !

En raison du risque des dommages corporels et matériels, ne nettoyez jamais le produit sous l'eau courante, en particulier, pas sous une haute pression. Conservez l'appareil sans fil dans un endroit sec et à l'abri du gel. Le lieu d'entreposage doit être inaccessible aux enfants.

7.2 Entretien

- Les lames doivent toujours être tranchantes pour que la coupe soit bonne. Par conséquent, elles peuvent être aiguisées à l'aide d'une pierre à aiguiser. Nous recommandons particulièrement d'enlever les brèches et les arrêtes dues aux pierres, etc.
- L'intérieur de l'appareil ne contient pas de pièces exigeant un entretien.

8. Défaillances

L'appareil ne marche pas

Vérifiez si la batterie est chargée et si le chargeur fonctionne. Si l'appareil ne fonctionne pas étant sous tension, veuillez contacter notre service à la clientèle.

9. Élimination et recyclage

L'appareil se trouve dans un emballage pour empêcher les dommages dus au transport. Cet emballage constitue une matière première et peut par conséquent est réutilisé ou peut être recyclé. L'appareil et ses accessoires sont fabriqués à partir de différents produits, comme par exemple le métal et les matières plastiques. Ne jetez pas les appareils défectueux dans les déchets ménagers. Pour être éliminé de façon appropriée, l'appareil devrait être déposé à un lieu de collecte approprié. Si vous ne connaissez aucun lieu de collecte, informez-vous auprès de l'administration municipale.

10. Entreposage

Entreposez l'appareil et ses accessoires dans un endroit sombre, sec et exempt de gel ainsi que hors la portée des enfants. La température d'entreposage optimale se situe entre 10 °C et 40 °C (50 °F et 104 °F). Entreposez l'outil électrique dans l'emballage d'origine.

Une réimpression ou toute autre reproduction de la documentation et des documents accompagnant les produits, même par extraits, ne sont autorisées qu'avec accord exprès d'Einhell Germany AG.

Sous réserve des modifications techniques.



Peligro! - Leer el manual de instrucciones para reducir cualquier riesgo de sufrir daños.



Mantener a terceras personas alejadas de la zona de peligro.



¡Proteger el aparato contra la lluvia y la humedad!



PELIGRO — Mantenga las manos alejadas de la hoja



PELIGRO: Mantener una distancia suficiente con respecto a los cables eléctricos.



Utilizar protección para los ojos y para la cabeza



Almacenamiento de las baterías sólo en espacios secos con una temperatura ambiente de 50°F to 104°F (+10°C to +40°C). Guardar las baterías únicamente cuando estén cargadas (mín. al 40%).

Peligro!

Al usar aparatos es preciso tener en cuenta una serie de medidas de seguridad para evitar lesiones o daños. Por este motivo, es preciso leer atentamente este manual de instrucciones/advertencias de seguridad. Guardar esta información cuidadosamente para poder consultarla en cualquier momento. En caso de entregar el aparato a terceras personas, será preciso entregarles, asimismo, el manual de instrucciones/advertencias de seguridad. No nos hacemos responsables de accidentes o daños provocados por no tener en cuenta este manual y las instrucciones de seguridad.

1. Instrucciones de seguridad**Leer todas las instrucciones**

ADVERTENCIA: Al usar aparatos eléctricos de jardinería es preciso tener en cuenta una serie de medidas básicas de seguridad con el fin de reducir el riesgo de incendio, descarga eléctrica y lesiones personales, incluyendo las siguientes:

PARA TODOS LOS APARATOS

- Evitar entornos peligrosos: no utilizar los aparatos en lugares húmedos o mojados.
- No usar bajo la lluvia.
- Mantener a los niños alejados: es preciso mantener a todas las personas y animales alejados de la zona de trabajo.
- Vestirse adecuadamente: no llevar ropa holgada ni joyas. Podrían quedarse atrapadas en las piezas móviles. Llevar ropa protectora: se recomienda usar guantes, pantalones largos, una camiseta de manga larga y calzado de seguridad siempre que se trabaje en el exterior. Llevar gorro para cubrir y proteger el pelo largo.
- Llevar gafas de seguridad: llevar siempre mascarilla antipolvo si hay polvo en el área en el que se va a trabajar. El objetivo de las normas de seguridad es advertir de los posibles peligros. Es preciso prestar especial atención y comprender los símbolos de seguridad y sus explicaciones. Las advertencias de seguridad no eliminan por sí mismas los peligros. Las instrucciones o advertencias que ofrecen no sustituyen las medidas adecuadas para la prevención de accidentes.
- Utilizar el aparato adecuado: no utilizar el aparato para realizar un trabajo para el que no haya sido concebido.
- No forzar el aparato: trabajará mejor y con menos probabilidad de que exista riesgo de sufrir lesiones dentro de los parámetros para la que ha sido diseñado.
- No sobreextenderse: mantener siempre bien apoyados los pies y el equilibrio.
- Estar siempre atento. utilizar el sentido común. No operar el aparato si se está cansado o bajo la influencia de drogas, alcohol o medicación.
- Cuando no se utilice el aparato, se deberá almacenar en un recinto cerrado y seco fuera del alcance de los niños.
- Realizar el mantenimiento el aparato con cuidado. Seguir las instrucciones para la lubricación y el cambio de accesorios. Mantener las empuñaduras secas, limpias y libres de aceite y grasa.
- Comprobar que no haya piezas dañadas. Antes de utilizar el aparato, asegurarse de que las protecciones de seguridad estén intactas. No utilizar nunca una herramienta sin su protección de seguridad. Revisar la alineación de las piezas móviles y sus uniones.
- Comprobar que no haya piezas rotas o defectuosas que puedan afectar el funcionamiento seguro de la herramienta. Un dispositivo de protección dañado u otra pieza dañada se deberá enviar a reparar adecuadamente o sustituir a un centro de servicio autorizado a no ser que se indique lo contrario en este manual.
- Recargar solo con el cargador especificado por el fabricante. Un cargador adecuado para un tipo de batería puede conllevar el riesgo de provocar un incendio si se usa con otro tipo de batería.
- Utilizar los aparatos solo con las baterías designadas específicamente. El uso de cualquier otro tipo de batería puede suponer un riesgo de sufrir lesiones y de provocar un incendio.
- Si no se está usando la batería, mantenerla alejada de otros objetos metálicos, como clips, monedas, llaves, clavos, tornillos u otros objetos pequeños de metal que puedan realizar una conexión de un terminal al otro. Si se cortocircuitan los terminales de la batería, se pueden provocar quemaduras o un incendio.
- En caso de uso excesivo, es posible que algo de líquido gotee de la batería. Evitar el contacto. En caso de contacto accidental, lavar con agua. Si el líquido entra en contacto con los ojos, buscar atención médica. El líquido

que sale de la batería puede causar irritación o quemaduras. (Estos consejos están destinados a los tipos de batería convencionales NiMH, NiCd, de plomo y ácido y de iones de litio. Si estos consejos no son adecuados para un tipo de batería distinta a estos, sustituirlos por los consejos adecuados.)

- No exponer una batería ni un aparato al fuego o a una temperatura excesiva. La exposición al fuego o a una temperatura superior a los 265°F (130°C) puede provocar una explosión.
- No utilizar baterías ni aparatos que estén dañados o modificados. Las baterías dañadas o modificadas pueden manifestar comportamientos impredecibles que den lugar a incendio, explosión o riesgo de lesión.
- Seguir todas las instrucciones de carga y no cargar la batería ni el aparato fuera del margen de temperatura especificado en las instrucciones. Una carga inadecuada o a temperaturas fuera del margen especificado puede dañar la batería e incrementar el riesgo de incendio.
- Encargar el servicio exclusivamente a una persona cualificada que use solo piezas de repuesto idénticas. Solo así se podrá mantener la seguridad del producto.
- No modificar ni intentar reparar el aparato o la batería (si aplicable) de forma distinta a lo que se indique en las instrucciones de uso y conservación.

1) PARA TODOS LOS APARATOS DE JARDINERÍA QUE FUNCIONAN CON BATERÍA:

- No cargar el aparato bajo la lluvia ni en lugares húmedos.
- No utilizar aparatos que funcionan con batería bajo la lluvia. Quitar o desconectar siempre la batería antes de realizar ajustes, limpiar, reparar o transportar el aparato de jardín.

2) PARA TODOS LOS APARATOS QUE FUNCIONAN CON UNA BATERÍA DESMONTABLE:

- Usar solo el siguiente tipo y tamaño de batería:
 - 18V 1.5Ah PXC batería Li-Ion
 - 18V 2.0Ah PXC batería Li-Ion
 - 18V 2.5Ah PXC batería Li-Ion
 - 18V 3.0Ah PXC batería Li-Ion
 - 18V 4.0Ah PXC batería Li-Ion
 - 18V 3.0Ah PXC Plus batería Li-Ion
 - 18V 4.0Ah PXC Plus batería Li-Ion

18V 5.2Ah PXC Plus batería Li-Ion
 18V 4.0Ah/6.0Ah PXC Plus batería Li-Ion
 18V 5.0Ah/8.0Ah PXC Plus batería Li-Ion

- No tirar la batería al fuego. La célula puede explotar. Consultar la legislación local en material de eliminación de residuos.
- No abrir ni cortar la batería. El electrolito que sale de la misma es corrosivo y puede lesionar los ojos o la piel. Puede ser tóxico si se ingiere.
- Tener cuidado al manipular la batería para no cortocircuitarla con materiales conductivos como anillos, pulseras o llaves. La batería o el conductor se puede sobrecalentar y provocar quemaduras.

3) EVITAR UN ARRANQUE INVOLUNTARIO: NO INSERTAR LA BATERÍA MIENTRAS SE TIENE EL DEDO EN EL INTERRUPTOR. ASEGURARSE DE QUE EL INTERRUPTOR ESTÉ EN OFF CUANDO SE INSERTE LA BATERÍA. NORMAS ADICIONALES DE SEGURIDAD PARA RECORTABORDES

- Mantener las manos y los pies fuera de la zona de corte.

ADVERTENCIAS GENERALES DE SEGURIDAD PARA LA BATERÍA

- Desechar la batería usada a tiempo y de manera adecuada. A la hora de desechar células o baterías secundarias, mantener separadas las células o baterías de distintos sistemas electromecánicos.
- Mantener la batería fuera del alcance de los niños y en el embalaje original hasta que estén listas para su uso.
- No meterse nunca la batería en la boca. De ingerirse, ponerse de inmediato en contacto con el centro de toxicología local.
- CUIDADO: la batería que se utiliza en este dispositivo puede conllevar riesgo de incendio o quemadura química si se abusa de ella. Sustituir la batería exclusivamente por otra de la marca Einhell o la marca recomendada. El uso de cualquier otra batería puede conllevar riesgo de incendio o explosión.
- ADVERTENCIA: no utilizar una batería o aparato que esté visiblemente dañado.
- ADVERTENCIA: no modificar ni intentar reparar el aparato ni la batería.
- **LAS BATERÍAS SE TIENEN QUE RECICLAR.**
- No cortocircuitar la célula ni la batería. No guardar las células ni baterías de manera descuidada en una caja o en un cajón donde

se puedan cortocircuitar entre sí o por materiales conductivos.

- No someter las células o baterías a choques mecánicos.
- Mantener las células y baterías limpias y secas. Si se ensucian, frotarlas con un paño limpio y seco.
- No mantener las células o baterías secundarias en carga si no se usan.
- Mantener las células y baterías originales. No utilizar un cargador que no se haya facilitado específicamente para usar con el equipo. Las células y baterías secundarias se tienen que cargar antes de su uso. Utilizar siempre el cargador correcto y consultar las instrucciones del fabricante o el manual del equipo para saber cómo cargar correctamente.
- Siempre que sea posible, quitar la batería del equipo cuando no se use.
- Evitar un arranque inesperado. Asegurarse de que el interruptor se encuentre en la posición OFF antes de conectar la batería, alzarla o transportarla. El transporte de aparatos con el dedo en el interruptor o la activación de aparatos energéticos con el interruptor en ON puede provocar accidentes.
- Desconectar la batería del aparato antes de realizar ajustes, cambiar accesorios o almacenar el aparato. Este tipo de medidas de seguridad preventivas sirve para reducir el riesgo de poner en marcha el aparato de manera involuntaria.
- En caso de uso excesivo, es posible que algo de líquido gotee de la batería. Evitar el contacto. En caso de contacto accidental, lavar con agua. Si el líquido entra en contacto con los ojos, buscar atención médica. El líquido que sale de la batería puede causar irritación o quemaduras.
- Encargar el servicio exclusivamente a una persona cualificada que use solo piezas de repuesto idénticas. Solo así se podrá mantener la seguridad del producto.
- **Proteger la batería de la humedad, la lluvia y la humedad ambiental elevada.** La humedad, la lluvia y la humedad ambiental elevada pueden provocar daños peligrosos en las celdas. No cargar ni trabajar nunca con baterías que hayan estado expuestas a la humedad, la lluvia o humedad ambiental elevada, ¡reemplazarlas de inmediato!

INSTRUCCIONES DE SEGURIDAD IMPORTANTES PARA EL CARGADOR

ADVERTENCIA: Este producto puede contener plomo, ftalato u otros productos químicos que según el Estado de California pueden provocar cáncer, malformaciones en el feto u otros daños reproductivos. Lavarse las manos después de utilizarlo.

Protección contra influencias ambientales

1. Ponerse ropa de trabajo adecuada. Ponerse gafas de protección.
2. **Proteger el aparato y el cargador de la humedad y la lluvia.** Éstas podrían provocar daños peligrosos en las celdas.
3. No utilizar el aparato y el cargador cerca de vapores y líquidos inflamables.
4. Utilizar el cargador y el aparato a batería sólo si están secos y a una temperatura ambiente de 50°F-104°F (10-40 °C).
5. No guardar la batería en lugares que puedan alcanzar una temperatura superior a 104°F (40 °C), especialmente no en un vehículo aparcado al sol.
6. **¡Proteger las baterías contra un sobrecalentamiento!** La sobrecarga, carga excesiva o la radiación solar conducen a un sobrecalentamiento y al daño de las celdas. No cargar ni trabajar en ningún caso con baterías que se hayan sobrecalentado. Sustituirlas inmediatamente.
7. **Almacenamiento de baterías, cargadores y del aparato.** Guardar siempre el cargador y el aparato en habitaciones secas con una temperatura ambiente de 50°F-104°F (10-40°C). Guardar la batería de iones de litio en un lugar fresco y seco a 50°F-68°F (10-20°C). ¡Proteger de la humedad ambiental y de la radiación solar! Guardar las baterías únicamente cuando estén cargadas (mín. al 40%).
8. Evitar que la batería de iones de litio se hielan. Deshacerse de las baterías que hayan estado guardadas a 32°F (0°C) durante más de 60 minutos.
9. Llevar cuidado con la carga electrostática al manipular baterías: las descargas electrostáticas provocan daños en el sistema electrónico de protección y las celdas de la batería. ¡Evitar por ello la carga electrostática y no tocar nunca los polos de la batería!

Instrucciones generales de seguridad para herramientas eléctricas

Peligro!

Lea todas las instrucciones de seguridad e indicaciones. El incumplimiento de dichas instrucciones e indicaciones puede provocar descargas, incendios y/o daños graves. **Guarde todas las instrucciones de seguridad e indicaciones para posibles consultas posteriores.**

Instrucciones generales de seguridad para herramientas eléctricas

El término de "herramienta eléctrica" que se usa en las instrucciones de seguridad se refiere a las herramientas que funcionan en red (con cable de conexión) y con batería (sin cable de conexión).

1. Seguridad en el lugar de trabajo

- a) **Mantener limpia y bien iluminada la zona de trabajo.** *Las zonas de trabajo desordenadas o sin luz pueden conllevar accidentes.*
- b) **No trabajar con este aparato eléctrico en un entorno explosivo en el que se hallen líquidos, gases o polvos inflamables.** *Las herramientas eléctricas generan chispas que pueden inflamar el polvo o los vapores.*
- c) **Mantener alejados a niños y a otras personas fuera del alcance de la herramienta eléctrica.** *Las distracciones pueden hacer perder el control sobre el aparato.*

2. Seguridad eléctrica

- a) **El enchufe del aparato eléctrico debe ser el adecuado para la toma de corriente. El enchufe no debe ser modificado de ningún modo. No emplear adaptadores de enchufe con aparatos eléctricos puestos a tierra.** *Los enchufes sin modificar y las tomas de corriente adecuadas reducen el riesgo de una descarga eléctrica.*
- b) **Evitar el contacto corporal con superficies con toma de tierra como tubos, calefacciones, fogones y frigoríficos.** *Existe un gran riesgo de descarga eléctrica si su cuerpo se halla puesto a tierra.*
- c) **Mantener los aparatos eléctricos alejados de la lluvia o la humedad.** *Si entra agua en el aparato eléctrico existirá mayor riesgo de una descarga eléctrica.*
- d) **No utilizar el cable de forma inadecuada, no utilizarlo para transportar el aparato, colgarlo o retirarlo de la toma de corriente. Mantener el cable alejado del calor, aceites, cantos afilados o partes del aparato en movimiento.** *Los cables dañados o*

mal enrollados aumentan el riesgo de descarga eléctrica.

- e) **Si se trabaja con una herramienta eléctrica al aire libre, emplear sólo alargaderas que también sean adecuadas para el exterior.** *El empleo de una alargadera apropiada para trabajos en el exterior reduce el riesgo de descarga eléctrica.*
 - f) **Si no se puede evitar tener que utilizar la herramienta eléctrica en un entorno húmedo, utilizar un dispositivo de protección diferencial.** *El uso de un dispositivo de protección diferencial reduce el riesgo de sufrir una descarga eléctrica.*
- #### 3. Seguridad de personas
- a) **Prestar atención al trabajo, comprobar lo que se está haciendo y proceder de forma razonable durante el trabajo de una herramienta eléctrica. No emplear la herramienta eléctrica si se está cansado o bajo la influencia de drogas, alcohol o medicamentos.** *Una mínima falta de atención durante el uso de la herramienta eléctrica puede causar lesiones graves.*
 - b) **Llevar equipo de protección personal. Llevar siempre gafas protectoras.** *El equipo de protección (como mascarilla antipolvo, calzado de seguridad antideslizante, casco o protección auditiva) usado en las condiciones adecuadas sirve para reducir las lesiones personales.*
 - c) **Prevenir un arranque no intencionado. Asegurarse de que el interruptor se encuentre en la posición OFF antes de conectar la herramienta a la fuente eléctrica y/o BATERÍA, alzarla o transportarla.** *El transporte de herramientas eléctricas con el dedo en el interruptor o la activación de herramientas eléctricas con el interruptor en ON puede provocar accidentes.*
 - d) **Retirar las herramientas de ajuste o la llave antes de conectar la herramienta eléctrica.** *Una herramienta o llave que se haya olvidado en partes giratorias del aparato puede producir lesiones.*
 - e) **Evitar trabajar en una posición corporal inadecuada. Adoptar una posición segura y mantener en todo momento el equilibrio.** *Ello permite controlar mejor la herramienta eléctrica en situaciones inesperadas.*
 - f) **Llevar ropa de trabajo adecuada. No llevar ropa holgada ni joyas durante el trabajo. Mantener el cabello, la ropa y los guantes alejados de las piezas en**

movimiento. *La ropa holgada, las joyas o los cabellos largos pueden ser atrapados por las piezas en movimiento.*

- g) **Si el aparato permite instalar dispositivos de aspiración y recogida del polvo, es preciso asegurarse de que estén conectados y se empleen de forma correcta.** *La utilización de un aspirador de polvo puede reducir los peligros provocados por el mismo.*
 - h) **A pesar de estar muy familiarizado con el uso de las herramientas, no confiarse en exceso ni ignorar las normas de seguridad de la herramienta.** *Un descuido puede conllevar una lesión grave en milésimas de segundo.*
- 4. Empleo y tratamiento de la herramienta eléctrica**
- a) **No sobrecargar el aparato. Usar la herramienta eléctrica específica para cada trabajo.** *Con la herramienta eléctrica adecuada se trabaja mejor y con más seguridad permaneciendo dentro de la potencia indicada.*
 - b) **No usar ninguna herramienta eléctrica cuyo interruptor esté defectuoso.** *Una herramienta eléctrica que ya no pueda conectarse o desconectarse conlleva peligros y debe repararse.*
 - c) **Desconectar el enchufe de la toma de corriente y/o retirar la batería, si es desmontable, de la herramienta eléctrica antes de realizar cualquier ajuste, cambiar accesorios o almacenarla.** *Este tipo de medidas de seguridad preventivas sirve para reducir el riesgo de poner en marcha la herramienta eléctrica de manera involuntaria.*
 - d) **Guardar las herramientas eléctricas que no se usen fuera del alcance de los niños. No permitir el uso del aparato a personas que no estén familiarizadas con él o no hayan leído estas instrucciones.** *Las herramientas eléctricas son peligrosas si las usan personas sin experiencia.*
 - e) **Realizar el mantenimiento de las herramientas eléctricas y los accesorios. Comprobar que las piezas móviles no estén desajustadas ni atascadas, que las piezas no presenten rotura ni otras condiciones que puedan afectar al funcionamiento de la herramienta eléctrica. En caso de que la herramienta eléctrica esté dañada, es preciso que sea reparada antes de utilizarla de nuevo.** *Muchos accidentes se provocan a causa de un mantenimiento deficiente de la herramienta eléctrica.*
- f) **Mantener limpias y afiladas las herramientas de corte.** *Las herramientas de corte bien cuidadas con cantos afilados se bloquean con menor frecuencia y pueden manejarse de forma más sencilla.*
 - g) **Respetar estas instrucciones cuando se desee utilizar la herramienta eléctrica, los accesorios, piezas de recambio, etc. Para ello, tener en cuenta las condiciones de trabajo y la tarea a ejecutar.** *El uso de herramientas eléctricas para otros fines diferentes a los previstos puede originar situaciones peligrosas.*
 - h) **Mantener asas y empuñaduras secas, limpias y libres de aceite y grasa.** *Las asas y empuñaduras resbaladizas impiden manejar con seguridad y controlar la herramienta en situaciones inesperadas.*
- 5. Empleo y tratamiento de la herramienta eléctrica**
- a) **Cargar la batería sólo en cargadores recomendados por el fabricante.** *Existe el peligro de incendio si se utiliza un cargador, indicado sólo para un tipo concreto de baterías, para otro tipo de baterías.*
 - b) **Utilizar sólo las baterías indicadas para la herramienta eléctrica en cuestión.** *El uso de otras baterías puede provocar daños y conllevar peligro de incendio.*
 - c) **Mantener cualquier batería que no se esté utilizando alejada de grapas, monedas, llaves, clavos, tornillos u otros objetos metálicos pequeños que podrían provocar un puenteo de los contactos.** *Un cortocircuito entre los contactos de la batería puede tener como consecuencia quemaduras o provocar fuego.*
 - d) **Si se utiliza incorrectamente podría salir líquido de la batería. Evitar el contacto con el líquido. En caso de tocar accidentalmente el líquido, lavar la zona afectada con agua. Si el líquido penetra en los ojos, acudir a un médico.** *El líquido de la batería puede provocar irritaciones en la piel o quemaduras.*
 - e) **No utilizar BATERÍAS ni herramientas que estén dañadas o modificadas.** *Las baterías dañadas o modificadas pueden manifestar comportamientos impredecibles que pueden dar lugar a incendio, EXPLOSIÓN o riesgo de lesión.*
 - f) **No exponer una BATERÍA ni herramienta al fuego o a una temperatura excesiva.** *La exposición al fuego o a una temperatura*

superior a los 266°F (130°C) puede provocar una explosión.

- g) **Seguir todas las instrucciones de carga y no cargar la BATERÍA ni herramienta fuera del margen de temperatura especificado en las instrucciones.** Una carga inadecuada o a temperaturas fuera del margen especificado puede dañar la batería e incrementar el riesgo de incendio.

6. Servicio

- a) **Sólo especialistas cualificados deben reparar la herramienta eléctrica, empleando para ello únicamente piezas de repuesto originales.** Esta forma de proceder garantiza la seguridad de la herramienta eléctrica.
- b) **No reparar nunca BATERÍAS dañadas.** La reparación de las BATERÍAS dañadas solo la puede llevar a cabo el fabricante o un distribuidor autorizado.

Advertencias de seguridad cortasetos

- a) **Mantenga todas las partes del cuerpo alejadas de la hoja. No retire el material cortado ni sujete el material a cortar cuando las cuchillas estén en movimiento.** Las cuchillas continúan moviéndose después de que se apaga el interruptor. Un momento de distracción mientras opera el cortasetos puede resultar en lesiones personales graves.
- b) **Lleve el cortasetos por el mango delantero con la cuchilla detenida y tenga cuidado de no operar ningún interruptor de encendido.** El transporte adecuado de la podadora de setos reducirá el riesgo de puesta en marcha involuntaria y lesiones personales resultantes de las cuchillas.
- c) **Cuando transporte o almacene la podadora de arbustos, siempre coloque la cubierta de la hoja.** El manejo adecuado de la podadora de arbustos disminuirá el riesgo de encendido involuntario que resulte en lesiones personales por las hojas.
- d) **Al liberar material atascado o darle mantenimiento a la unidad, asegúrese de que todos los interruptores eléctricos estén apagados y la batería sea extraída o esté desconectada.** La operación inesperada de la podadora de arbustos mientras retira material atascado o le da servicio puede provocar lesiones personales graves.
- e) **Sostenga la herramienta eléctrica únicamente de las superficies de empuñadura aisladas, ya que la hoja de la cuchilla**

puede entrar en contacto con cableado oculto. Las hojas de la cuchilla que entren en contacto con un cable que conduzca electricidad pueden hacer que las partes metálicas de la herramienta eléctrica se electrifiquen y podrían ocasionar una descarga eléctrica al operador.

- f) **Mantenga todos los cables eléctricos alejados del área de corte.** Los cables eléctricos pueden estar ocultos en arbustos y la hoja puede cortarlos accidentalmente.
- g) **No utilice la podadora de arbustos en malas condiciones del clima, particularmente cuando exista el riesgo de relámpagos.** Esto disminuye el riesgo de que sea golpeado por un rayo.
- h) **Controlar que no haya cuerpos extraños en los setos y arbustos, p. ej. alambrados y cables ocultos.**
- i) **Sujetar correctamente el recortasetos, p. ej. con ambas manos si existen dos empuñaduras.**
- j) **El recortasetos ha sido previsto para ser utilizado estando el usuario en el suelo y no sobre escaleras u otros apoyos inestables.**
- k) **Antes de poner en funcionamiento el recortasetos, el usuario deberá cerciorarse de que el/los dispositivo/s de bloqueo de todas las piezas móviles (p. ej. el eje extendido y el elemento orientable), si están instalados, se hallen en posición de bloqueo.**

GUARDE ESTAS INSTRUCCIONES

2. Descripción del aparato y volumen de entrega

2.1 Descripción del aparato

- 1 Cuchilla cortacésped
- 2 Botón de bloqueo de conexión
- 3 Interruptor ON/OFF
- 4 Desbloqueo de cuchilla
- 5 Cuchilla para setos
- 6 Protección para la cuchilla cortacésped
- 7 Protección para la cuchilla recortasetos
- 8 Indicador de capacidad de batería
- 9 Pulsador para indicar la capacidad de batería

2.2 Volumen de entrega

Sirviéndose de la descripción del volumen de entrega, comprobar que el artículo esté completo. Si faltase alguna pieza, dirigirse a nuestro Service Center o a la tienda especializada más cercana en un plazo máximo de 5 días laborales tras la compra del artículo presentando un recibo de compra válido.

- Abrir el embalaje y extraer cuidadosamente el aparato.
- Retirar el material de embalaje, así como los dispositivos de seguridad del embalaje y para el transporte (si existen).
- Comprobar que el volumen de entrega esté completo.
- Comprobar que el aparato y los accesorios no presenten daños ocasionados durante el transporte.
- Si es posible, almacenar el embalaje hasta que transcurra el periodo de garantía.

Peligro!

¡El aparato y el material de embalaje no son un juguete! ¡No permitir que los niños jueguen con bolsas de plástico, láminas y piezas pequeñas! ¡Riesgo de ingestión y asfixia!

- Podadora y cortasetos inalámbricos
- Manual de instrucción original con instrucción de seguridad

Accesorios disponibles por separado

18V 1.5Ah PXC batería Li-Ion
 18V 2.0Ah PXC batería Li-Ion
 18V 2.5Ah PXC batería Li-Ion
 18V 3.0Ah PXC batería Li-Ion
 18V 4.0Ah PXC batería Li-Ion
 18V 3.0Ah PXC Plus batería Li-Ion
 18V 4.0Ah PXC Plus batería Li-Ion
 18V 5.2Ah PXC Plus batería Li-Ion
 18V 4.0Ah/6.0Ah PXC Plus batería Li-Ion
 18V 5.0Ah/8.0Ah PXC Plus batería Li-Ion
 18V PXC cargador rápido de doble Puerto
 18V PXC cargador rápido

Comuníquese con su distribuidor local para obtener modelos más específicos de baterías y cargadores disponibles en su área. Explorar las opciones de batería y cargador en einhell.com.

3. Uso adecuado


El aparato está indicado para cortar césped en esquinas y pequeñas superficies de césped en casas y jardines privados o de hobby. Se define como jardines privados todos aquellos que no formen parte de instalaciones públicas, parques, polideportivos, calles, así como zonas agrícolas o forestales. La observancia de las instrucciones de uso especificadas por el fabricante constituye un requisito indispensable para manejar el aparato de forma adecuada.

Advertencia: El aparato no debe emplearse para triturar material con el fin de obtener compost, puesto que se podrían producir daños personales y materiales.

Utilizar la máquina sólo en los casos que se indican explícitamente como de uso adecuado. Cualquier otro uso no será adecuado. En caso de uso inadecuado, el fabricante no se hace responsable de daños o lesiones de cualquier tipo; el responsable es el usuario u operario de la máquina.

Tener en consideración que nuestro aparato no está indicado para un uso comercial, industrial o en taller. No asumiremos ningún tipo de garantía cuando se utilice el aparato en zonas industriales, comerciales o talleres, así como actividades similares.

4. Características técnicas

Alimentación de tensión de motor: 18V 
 Velocidad sin carga: 1200 RPM (min⁻¹)
 Cuchilla podadora de césped: 4" (100 mm)
 Cuchilla de bordeado
 de arbustos: 7.9" (200 mm)
 Diámetro de corte de bordeado
 de arbustos: 5/16" (8 mm)
 Peso (solo herramienta): 1.5 lb (0.7 kg)

5. Antes de la puesta en marcha

El aparato se suministra sin baterías y sin cargador.

5.1 Montaje de la batería (fig. 4-5)

Introducir la batería en el alojamiento previsto para ello. En cuanto la batería se encuentre en la posición que muestra la figura 5, asegurarse de que el dispositivo de retención enclave. Para extraer la batería es preciso presionar el dispositivo de retención y retirar la batería (fig. 6).

6. Manejo

Las superficies a cortar han de mantenerse libres de piedras y demás objetos sólidos. El botón de bloqueo de conexión (fig. 1/pos. 2) impide que el aparato se ponga en marcha de forma involuntaria.

Conexión (fig. 7)

Para conectar el aparato, empujar hacia el tope el botón de bloqueo de conexión (2) y al mismo tiempo pulsar el interruptor ON/OFF (3).

Desconexión (fig. 8)

El aparato se apaga en cuanto se suelta el interruptor ON/OFF (3).

6.1 Cómo cargar la batería de litio (no incluido en el volumen de entrega)

Las instrucciones correspondientes se encuentran en el manual de instrucciones original del cargador.

6.2 Indicador de capacidad de batería (fig. 3/pos. 6)

Pulsar el interruptor para acceder al indicador de capacidad de la batería (7). El indicador de capacidad de batería (6) le indica el estado de carga de la batería sirviéndose de 3 LEDs.

Los 3 LED están iluminados:

La batería está completamente cargada.

2 o 1 LED están iluminados

La batería dispone de suficiente carga residual.

1 LED parpadea:

La batería está vacía, es preciso cargarla.

Si todos los LED parpadean:

La temperatura de la batería es demasiado baja. Quitar la batería del aparato y dejarla durante un día a temperatura ambiente. Si vuelve a aparecer el fallo, la batería se ha descargado completamente y está defectuosa. Quitar la batería del aparato. Está prohibido emplear o cargar una batería defectuosa.

6.3 Cortar césped

Desplazar la tijera cortacésped por el suelo. La mejor potencia de corte se obtiene cuando el césped está seco.

Si desciende la potencia de corte, volver a cargar inmediatamente la batería de la tijera para que las baterías no se descarguen por completo.

Siempre que no se utilice la tijera cortacésped, se deberán proteger las cuchillas con la cubierta negra de protección destinada a tal efecto.

6.4 Cortar setos

El aparato puede utilizarse para cortar pequeños setos y matas.

Inclinarse ligeramente el recortasetos hacia el seto. En primer lugar, cortar los setos de abajo hacia arriba y después la parte superior.

Asegurarse de que no haya cuerpos extraños en o cerca del seto que puedan dañar las cuchillas.

Poner la protección para las cuchillas para evitar sufrir lesiones.

6.5 Cambio de las cuchillas

Advertencia: ¡Peligro de sufrir daños!

Poner la protección para las cuchillas para evitar sufrir lesiones.

Para retirar las cuchillas, presionar el desbloqueo de cuchilla (fig. 9/pos. 4) y extraer la cuchilla como se indica en la figura 10.

Una vez retirada la cuchilla, pueden verse las ruedas dentadas del engranaje. Asegurarse de que no entre suciedad en el engranaje al cambiar la cuchilla.

El montaje se lleva a cabo realizando la misma secuencia pero en sentido contrario.

¡Cuidado! ¡Al pulsar el desbloqueo de la cuchilla (fig. 9/pos. 4), la cuchilla (1) se cae!

Proceder de la misma forma para retirar la cuchilla recortasetos.

Cómo colocar la cuchilla (fig. 11-12)

Poner el lado más delgado de la carcasa de la cuchilla en la carcasa del aparato. Presionar el desbloqueo de la cuchilla y, a continuación, la carcasa de la cuchilla contra la carcasa del aparato hasta que se perciba acústicamente que se ha enclavado.

La cuchilla recortasetos se fija de la misma forma.

7. Mantenimiento y limpieza**Peligro!**

Desenchufar la batería antes de realizar trabajos de limpieza.

7.1 Limpieza

- Reducir al máximo posible la suciedad y el polvo en los dispositivos de seguridad, las rendijas de ventilación y la carcasa del motor. Frotar el aparato con un paño limpio o soplarlo con aire comprimido manteniendo la presión baja.
- Se recomienda limpiar el aparato tras cada uso.
- Limpiar el aparato con regularidad con un paño húmedo y un poco de jabón blando. No utilizar productos de limpieza o disolventes ya que se podrían deteriorar las piezas de plástico del aparato. Es preciso tener en cuenta que no entre agua en el interior del aparato. Si entra agua en el aparato eléctrico existirá mayor riesgo de una descarga eléctrica.
- Limpiar a fondo la tijera cortacésped, antes y después de utilizarla. Un par de gotas de aceite (p. ej., aceite para máquinas de coser) en las cuchillas mejoran el rendimiento de corte. No obstante, no engrasar nunca las cuchillas.
- Para obtener un corte homogéneo y exacto es preciso retirar los restos de césped y la suciedad que se encuentra entre la cuchilla superior e inferior.

¡Cuidado!

Para evitar daños personales y materiales, no limpiar nunca la herramienta con agua corriente, y mucho menos con agua a presión. Cuando no se utilice la tijera, mantenerla en lugar seco y resistente a bajas temperaturas. Se debe guardar en un lugar fuera del alcance de los niños.

7.2 Mantenimiento

- Para que el resultado de corte sea satisfactorio, las cuchillas deberán estar siempre afiladas. Para afilarlas emplear una piedra de afilar. Recomendamos especialmente eliminar siempre las mellas y rebabas que se hayan producido por las piedras, etc.
- No hay que realizar el mantenimiento a más piezas en el interior del aparato.

8. Averías**El aparato no funciona:**

Comprobar que esté cargada y que el cargador funcione. En caso de que el aparato no funcione a pesar de haber tensión, enviarlo a la dirección indicada del servicio de asistencia técnica.

9. Eliminación y reciclaje

El aparato está protegido por un embalaje para evitar daños producidos por el transporte. Este embalaje es materia prima y, por eso, se puede volver a utilizar o llevar a un punto de reciclaje. El aparato y sus accesorios están compuestos de diversos materiales, como, p. ej., metal y plástico. Los aparatos defectuosos no deben tirarse a la basura doméstica. Para su eliminación adecuada, el aparato debe entregarse a una entidad recolectora prevista para ello. En caso de no conocer ninguna, será preciso informarse en el organismo responsable del municipio.

10. Almacenamiento

Guardar el aparato y sus accesorios en un lugar oscuro, seco, protegido de las heladas e inaccesible para los niños. La temperatura de almacenamiento óptima se encuentra entre los 50°F y 104°F (10°C y 40°C). Guardar la herramienta eléctrica en su embalaje original.

Sólo está permitido copiar la documentación y documentos anexos del producto, o extractos de los mismos, con autorización expresa de Einhell Germany AG.

Nos reservamos el derecho a realizar modificaciones técnicas.





A series of horizontal lines for writing, starting with two lines that are slightly indented from the left margin, followed by a continuous set of lines extending across the page.





A series of horizontal lines for writing, starting from the top right of the page and extending downwards. The first line is partially obscured by the pencil illustration.



www.Einhell.com

EH 01/2024 (01)