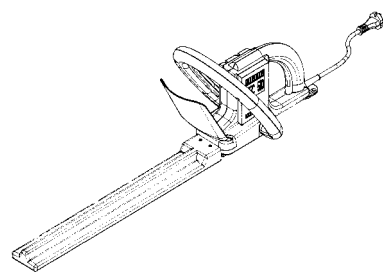


Operating Instructions Hedge trimmer

Einhell[®]

CE

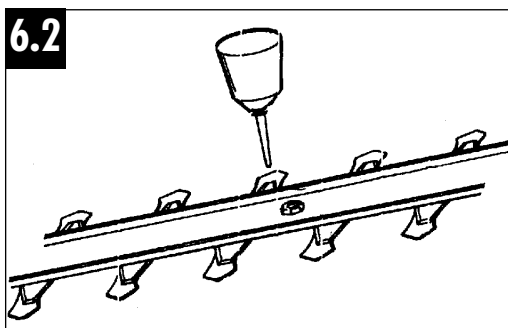
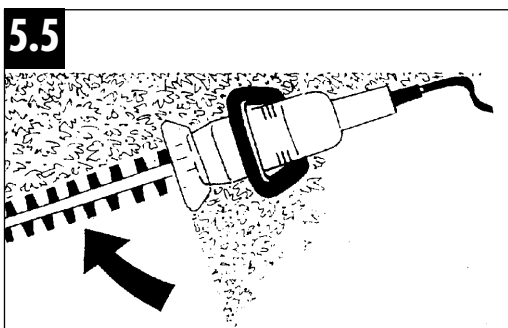
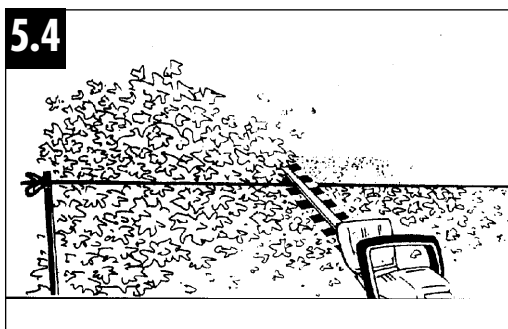
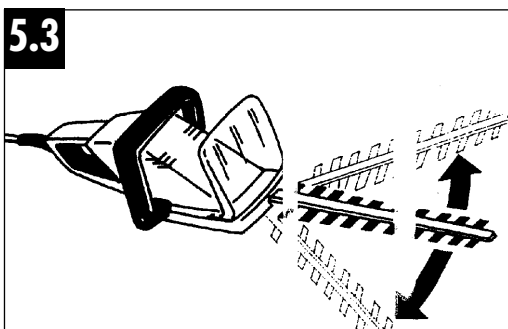
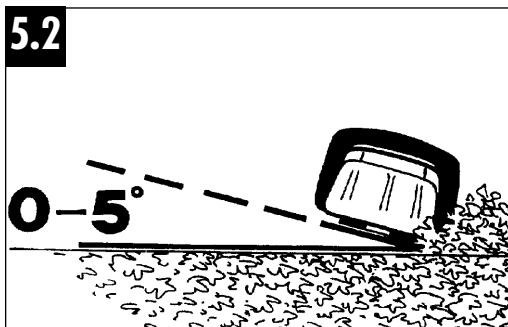
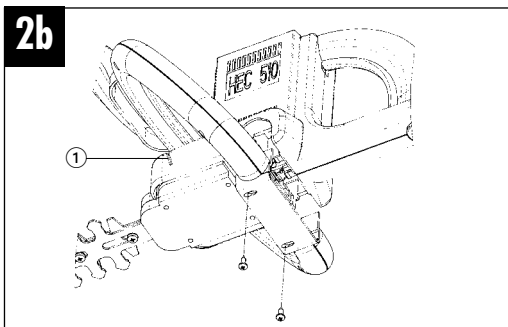
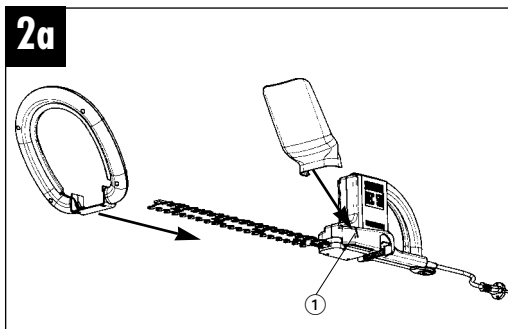
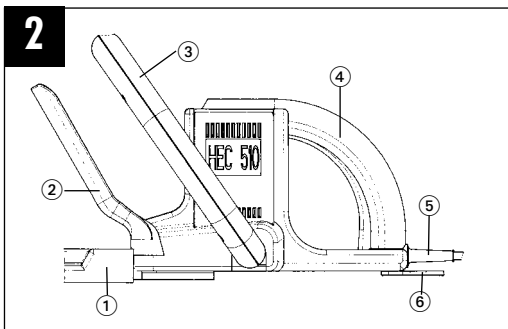
Art.-Nr.: 34.034.01



HEC 410

Technical data

Power supply	230 V ~ 50 Hz
Power consumption	450 W
Cutting length	40 cm
Tooth spacing	12 mm
Cuts/min n_0	3000
Noise power level LWA	95 dB(A)
Noise pressure level LPA	87 dB(A)
Vibration a_w	2,3 m/s ²
Totall insulated	



1. Safety instructions

Please read and follow the safety instructions carefully.

- 1.1 Before certain operations are undertaken with the hedge trimmer it is necessary to disconnect the mains plug e.g.
 - Damage to the cable
 - Cleaning the blade
 - Checking by interruptions
 - Cleaning and servicing
 - When not in use
- 1.2 The machine can cause serious injuries! Read the operating instructions carefully to learn how to handle, prepare, repair, start and stop the machine correctly. Acquaint yourself with all the adjusting parts and with how to use the machine properly.
- 1.3 Hedge trimmers must only be guided with both hands.
- 1.4 When using the hedge trimmer always work from a secure position with stable shoes.
- 1.5 Do not cut wet hedges or in the presence of rain, and do not store the apparatus out of doors. As long as the apparatus is wet it must not be used.
- 1.6 We recommend you to wear goggles and earmuffs while cutting with the machine.
- 1.7 Wear suitable working clothing, such as rubber gloves, anti-slip shoes and no loose clothing. Long hair must be contained by a hair net.
- 1.8 Avoid abnormal working positions and make sure you stand securely, particularly when using ladders and steps.
- 1.9 Keep a sufficient distance between the apparatus and body while working.
- 1.10 Pay attention that no animal or person is present in the working or swivelling range.
- 1.11 Carry the hedge trimmer only by the operating handle.
- 1.12 Keep the cable out of the cutting area.
- 1.13 Check the connecting cable for signs of damage or ageing before usage.
- 1.14 The hedge trimmer can only be used when the connecting cable is found to be in an undamaged condition.
- 1.15 Do not disconnect the mains plug by pulling on the cable. Do not carry the apparatus by the cable. Avoid all damages to the cable.
- 1.16 Protect the cable from heat, overflowing liquids and damage through sharp edges. Replace a damaged cable immediately.
- 1.17 Examine the cutting device regularly for signs of damage and if necessary have the tool repaired by the experts of your ISC Customer Service or a specialized workshop.
- 1.18 When a blockage of the cutting device occurs, e.g. thick branches etc., the hedge trimmer must be made immediately inoperative -removal of mains plug- and only then may the cause of the blockage be removed.
- 1.19 Establish a storage location which is dry, safe and inaccessible for children.
- 1.20 Always cover the cutting device with its guard during transportation and storage.
- 1.21 Avoid overloading the apparatus and strange applications i.e. do not carry out any work for which the apparatus is not designed.
- 1.22 Only use cables and plug connections which are approved for outdoor use:
 - Connecting cable HO7RN-F2x1.0 with an extruded shaped plug.
 - Extension cables HO7RN-F 3G1.5 with weatherproof shockproof plug and shockproof coupling.
 - For the operating of electric tools the use of a current leakage protection device or a residual current operated device is recommended.
- 1.23 The relevant checks and services must be done regularly to the hedge trimmer. Replace damaged knives only in pairs. A tradesman's attention is necessary for damages occurred through falling or impact.
- 1.24 Maintain and service your tool carefully. Keep your tool clean and sharp to make good and safe work possible. Heed and follow the directions for service and maintenance.
- 1.25 According to the regulations of the agricultural trade union only persons over the age of 17 years are allowed to operate an electric powered hedge trimmer. This is permissible for persons 16 years of age under adult supervision.
- 1.26 Never use the machine with a damaged or excessively worn cutting device.
- 1.27 Familiarize yourself with your surroundings and note any possible hazards which you may not hear due to noise from the machine.
- 1.28 The garden shear should not be used when there are persons and particularly children in the vicinity.
- 1.29 The level of noise at the workplace may exceed 85 dB(A). In this case you will need to introduce noise protection measures for the user. The noise generated by this electric tool is measured in accordance with IEC 59 CO 11, IEC 704, DIN 45635 Part 21, NFS 31-031 (84/537/EEC).
- 1.30 Handle vibrations are measured in accordance with ISO 5349.

2. Fitting the hand guard and the guide handle

- 1 Blade with storage bag
 - 2 Hand guard
 - 3 Guide handle with On/Off switch
 - 4 Handle with On/Off switch
 - 5 Power cable
 - 6 Clevis eyelet for extension cable
- a) Press the hand guard down into the fixing slots (1) until it latches home (Figure 2a and 2b).
 - b) Slide the guide handle over the blade. Press up into the fixing mount as shown in Figure 2b so that the guide handle is tilted to the front. Finally fasten the additional handle to the machine with the supplied screws.
It is prohibited to use the trimmer without the hand guard and guide handle.

3. Mains connection

The machine can only be operated with single phased alternating current with 230V 50 Hz alternating voltage. It completely isolated and therefore can be connected to plugs without a grounded conductor. Take care to check that the mains voltage corresponds to the operational voltage on the machines capacity label.

4. Starting and operating

Hedge shears are equipped with a two-handed safety switch.

It only works, when one hand depresses the bent switch key (3) on the guiding handle and the other hand first depresses the retaining knob (6) and then the handle switch (5).

The cutting blade does not operate when any of the switches are released.

Please take not of the run-out of the cutting blade.

- Check the function of the cutting blade. The double-sided cutting blades work in opposite directions and there by ensure a high cutting capacity with a quiet run.
- There are permitted extension cables for outside use.

5. Operating instructions

- 5.1 In addition to hedges, a hedge trimmer can be employed for cutting scrubs and bushes.
- 5.2 Cutting is best carried out if the hedge trimmer is guided so that the blade is kept at an angle of 5° to the hedge.
- 5.3 The double-sided opposed cutting blade makes it possible to cut in both directions.
- 5.4 In order to achieve an even. Level hedge height, stretching a line along the edge of the hedge is recommended. The protruding branches and twigs can be cut off.
- 5.5 The sides of a hedge are cut with an arctype motion from bottom to top.

6. Maintenance and care

- 6.1 Befor cleaning or storing the hedge trimmer, always remove the plug from the power supply.
- 6.2 In order to achieve the best performance, the blades must be cleaned and lubricated regularly. Remove any residue with a brush and apply a light film of oil.

Please use biologically degradable oil.

- 6.3 The plastic body and components should be cleaned with a gentle household cleaner. Do not use caustic cleaning agents.
- 6.4 Water must not enter the hedge trimmer!
- 6.5 Always store the device in its original packing.

7. Disposal

Note:

The hedge trimmer and its accessories consist of a various materials, such as metal and plastics.

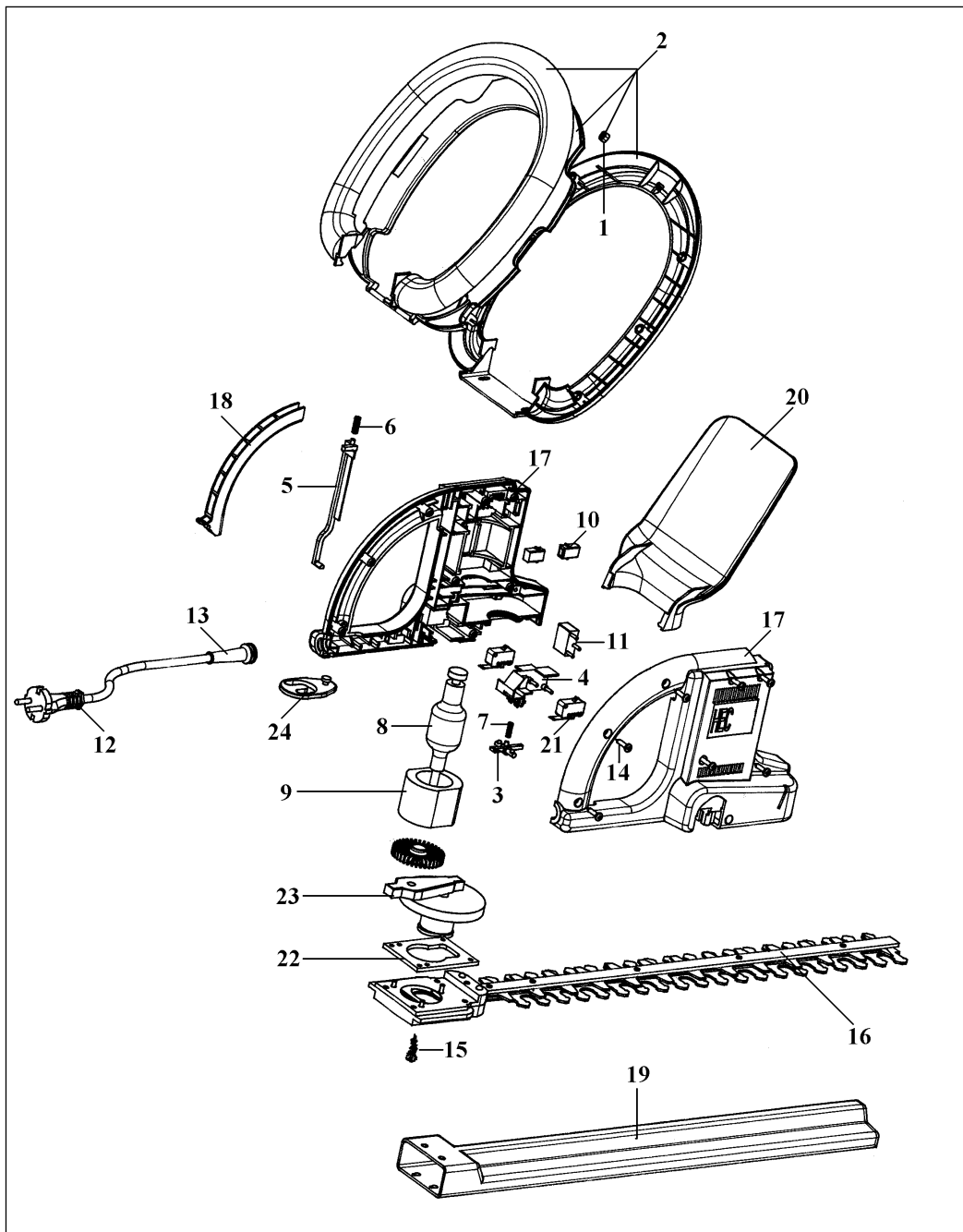
Any defective parts should be disposed of at proper and authorized disposal centres. **Do not dispose of in common household trash!**

Inquire at authorized service centres or with your local city council.

Explosion Diagram HEC 410


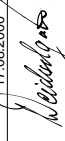
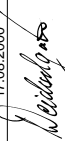
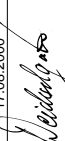



Art.-Nr.: 34.034.00;

I.-Nr.: 91017



Replacement Parts List HEC 410**Art.-Nr.: 34.034.01****I.-Nr.: 91019**

Item	Description	Replacement Part No.
01	Rubber	34.035.00.01
02	Handle, complete	34.035.00.02
03	Rocker	34.035.00.03
04	Switch holder	34.035.00.04
05	Slide	34.035.00.05
06	Compression spring, large	34.035.00.06
07	Compression spring, small	34.035.00.07
08	Rotor, complete with bearing	34.035.00.08
09	Stator	34.035.00.09
10	Brush unit	34.035.00.10
11	Capacitor	34.035.00.11
12	Power cable	34.035.00.12
13	Anti-kink sleeve	34.035.00.13
14	Set of screws for the housing	34.035.00.14
15	Set of screws for the cutter rail	34.035.00.15
16	Cutter rail, complete for the HEC 410	34.034.00.01
17	Housing, 2 parts	34.035.00.17
18	Switch button	34.035.00.18
19	Cutter rail guard for the HEC 410	34.035.00.19
20	Hand guard	34.035.00.20
21	Microswitch	34.035.00.21
22	Threaded plate	34.035.00.22
23	Drive unit	34.035.00.23
24	Cable grip	34.035.00.24

(D)	(GB)	(F)	(NL)	(E)	(P)
EG Konformitätserklärung Der Unterzeichnende erklärt im Namen der Firma	EC Declaration of Conformity The Undersigned declares, on behalf of	Déclaration de Conformité CE Le soussigné déclare, au nom de	EC Conformiteitsverklaring De ondertekenaar verklaart in naam van de firma	Declaracion CE de Conformidad Por la presente, el abajo firmante declara en nombre de la empresa	Declaração de conformidade CE O abaixo assinado declara em nome da empresa
HANS EINHELL AG - Wiesenweg 22 · D-94405 Landau/Isar					
daß die	that the	que	dat de	que e/la	que
Maschine/Produkt	Machine / Product	la machine / le produit	machine/produkt	máquina/producto	a máquina/lo produto
Heckenschere	Hedge trimmer	Taille-haie	Heggeschaar	Tijeras para setos	Tesoura para sebes
Marke	produced by:	du fabricant	merk	marca	marca
					
Typ	Type	Type	type	tipo	tipo
HEC 410 GB					
<ul style="list-style-type: none"> - Seriennummer auf dem Produkt - <input checked="" type="checkbox"/> EG Maschinenrichtlinie 89/392/EWG mit Änderungen <input checked="" type="checkbox"/> EG Niederspannungsrichtlinie 73/23 EWG <input checked="" type="checkbox"/> EG Richtlinie Elektromagnetische Verträglichkeit 89/336 EWG mit Änderungen entspricht. 	<ul style="list-style-type: none"> - Serial number specified on the product - <input checked="" type="checkbox"/> EC Directive regarding machinery 89/392 EEC, as amended; <input checked="" type="checkbox"/> EC Directive regarding low-voltage equipment 73/23 EEC; <input checked="" type="checkbox"/> EC Directive regarding electromagnetic compatibility 89/336 EEC, as amended. 	<ul style="list-style-type: none"> - no. série indiquée sur le correspondant) à la machines 89/392 CEE avec les modifications y apportées; <input checked="" type="checkbox"/> Directive CE relative aux basses tensions 73/23 CEE; <input checked="" type="checkbox"/> Directive relative à la compatibilité électromagnétique 89/336 CEE avec les modifications y apportées. 	<ul style="list-style-type: none"> - seriennummer op het produkt conform de volgende richtlijnen is: <input checked="" type="checkbox"/> EG machinerichtlijn 89/392/EWG met wijzigingen <input checked="" type="checkbox"/> EG laagspanningsrichtlijn 73/23 EWG <input checked="" type="checkbox"/> EG richtlijn Elektromagnetische compatibiliteit 89/336 EWG met wijzigingen 	<ul style="list-style-type: none"> - No. de série en el producto: satisface las disposiciones pertinentes siguientes: <input checked="" type="checkbox"/> Disposición de maquinaria de la CE 89/392/CEE con modificaciones <input checked="" type="checkbox"/> Disposición de baja tensión de la CE 73/23 CEE <input checked="" type="checkbox"/> Disposición de la compatibilidad electro-magnética de la CE 89/336 CEE con modificaciones. 	<ul style="list-style-type: none"> - cujo número de série encontra-se no produto - <input checked="" type="checkbox"/> Directiva da CE de máquinas 89/392/CEE, com alterações <input checked="" type="checkbox"/> Directiva da CE de baixa tensão 73/23 CEE <input checked="" type="checkbox"/> Directiva da CE de compatibilidade electro-magnética 89/336 CEE, com alterações
EN 50144-1; EN 50144-2-15; ISO 3744; ISO 11201; EN 55014; EN 60555-3; EN 55014; EN 50144-1; EN 50144-2-15; ISO 3744; ISO 11201; EN 55014; EN 60555-3; EN 55014;					
Landau/Isar, den 17.08.2000	Landau/Isar, (date) 17.08.2000	Landau/Isar, (date) 17.08.2000	Landau/Isar, datum 17.08.2000	Landau/Isar 17.08.2000	Landau/Isar 17.08.2000c
					
Wichselgärtner Produkt-Management	Wichselgärtner Produkt-Management	Wichselgärtner Produkt-Management	Wichselgärtner Produkt-Management	Wichselgärtner Produkt-Management	Wichselgärtner Produkt-Management
Achiwierung / For archives: HEC 0455-18-834-E;					

EINHELL-WARRANTY CERTIFICATE

The guarantee period begins on the sales date and is valid for 1 year.

Responsibility is assumed for faulty construction or material or functional defects.

Any necessary replacement parts and necessary repair work are free of charge.

We do not assume responsibility for consequential damage.

Your customer service partner