

Rotary hammer YPL 853

Art.-No.: **42.583.14**

Bar code: 4006825536638

Sales unit: 3 pcs

The YPL 853 is a powerful hammer drill with SDS-Plus chuck, additional handle, depth gauge and wide dust connection cap in a handy case. The unit is equipped with impact stop device for gentle drilling and rotation stop device for chisel work.

Features:

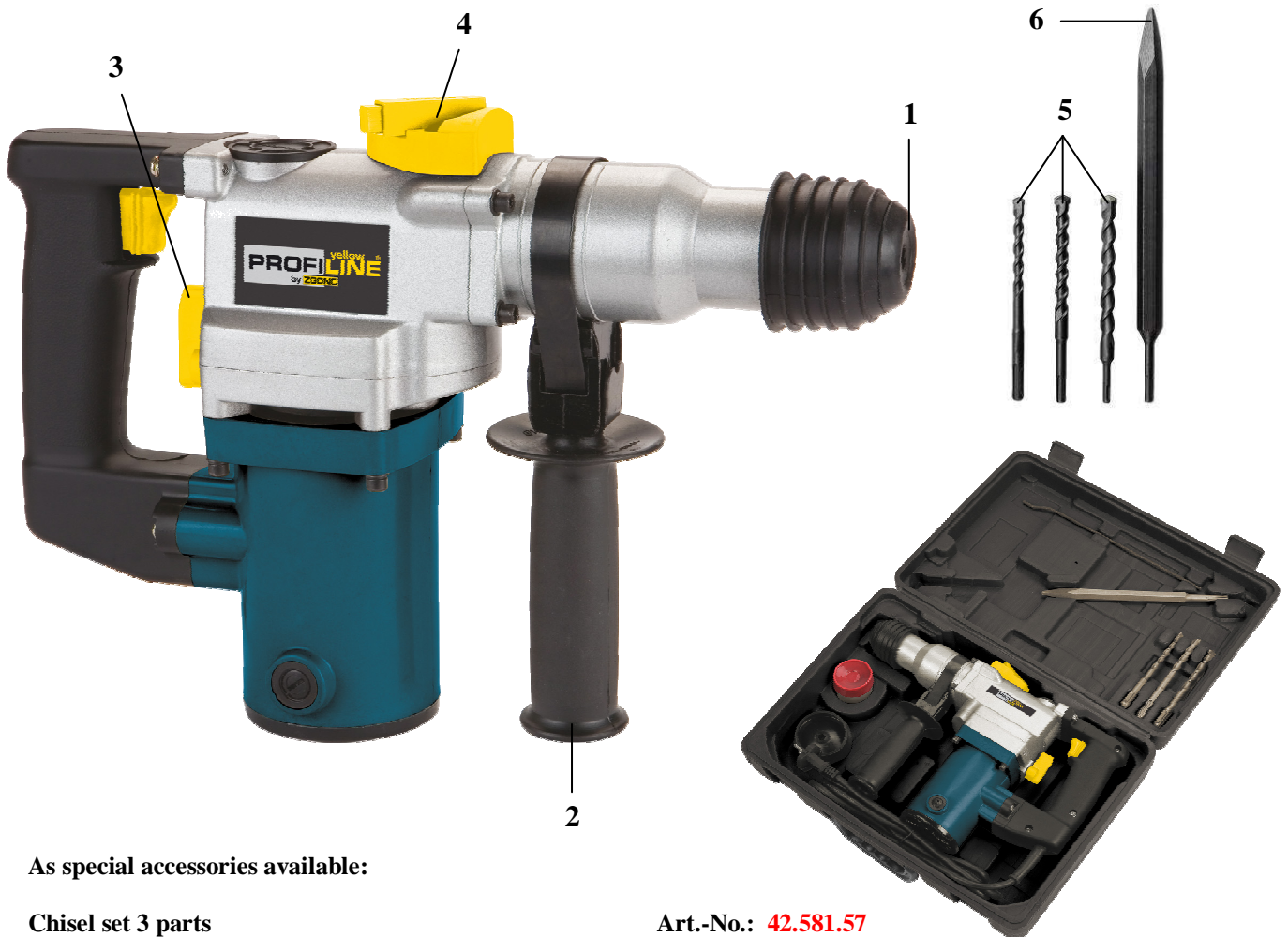
- SDS-Plus chuck (1)
- Additional handle (2)
- Impact stop device (3)
- Rotation stop (4)

Standard accessory:

- Hammer drill bits Ø 8, 10, 12 mm (5)
- 1 pointed chisel bit (6)

Technical data:

- Mains: 230 V ~ 50 Hz
- Power: 850 watts
- Idle speed: 780 min⁻¹
- Blow rate: 3,850 min⁻¹
- Drilling capacity max.: 26 mm concrete/stone
- Impact power: 3.4 Joule
- Weight: 6.35 kg
- Packing dimensions: 420 x 310 x 115 mm



As special accessories available:

Chisel set 3 parts

Art.-No.: **42.581.57**

Bar code: 4006825421545

10 parts drill and chisel set with alu-case

Art.-No.: **42.581.95**

Drills: Ø 6 x 110 mm, Ø 8 x 160 mm, Ø 10 x 210 mm,
Ø 12 x 210 mm, Ø 10 x 450 mm, Ø 12 x 450 mm,
Ø 16 x 450 mm, Ø 20 x 450 mm

Bar code: 4006825509779

1 pointed chisel, 1 flat chisel