

**PARKSIDE**

**PDKS 120 A2**



GB CY

### SCROLL SAW

Operation and Safety Notes  
Original operating instructions

HR

### DEKUPIR PILA

Upute za posluživanje i za Vašu sigurnost  
Originalne upute za uporabu

BG

### РЕЗБАРСКИ ЛЪК

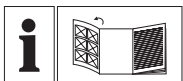
Указания за обслужване и безопасност  
Оригинална работна инструкция

DE AT CH

### DEKUPIERSÄGE

Bedienungs- und Sicherheitshinweise  
Originalbetriebsanleitung

7+



GB CY

Before reading, unfold the page containing the illustrations and familiarise yourself with all functions of the device.

---

HR

Prije nego što pročitate tekst, otvorite stranicu sa slikama i upoznajte se na osnovu toga sa svim funkcijama uređaja.

---

BG

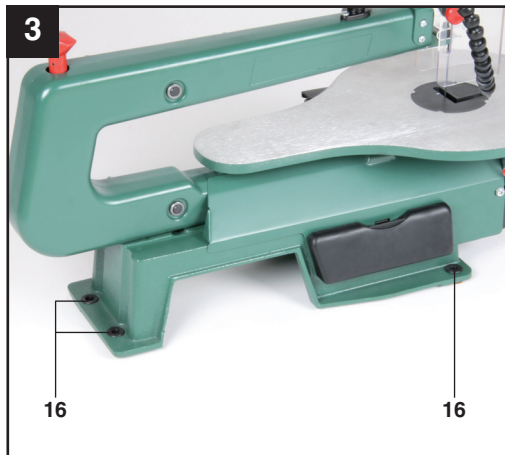
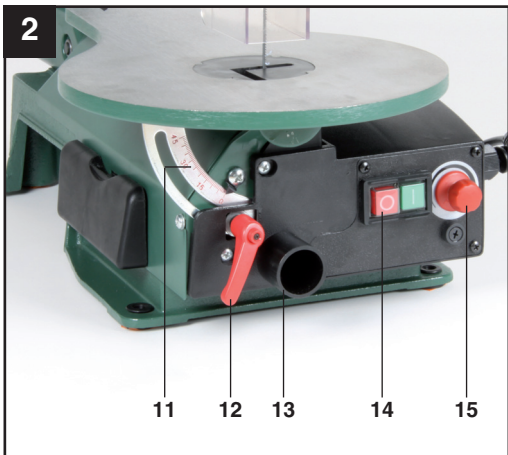
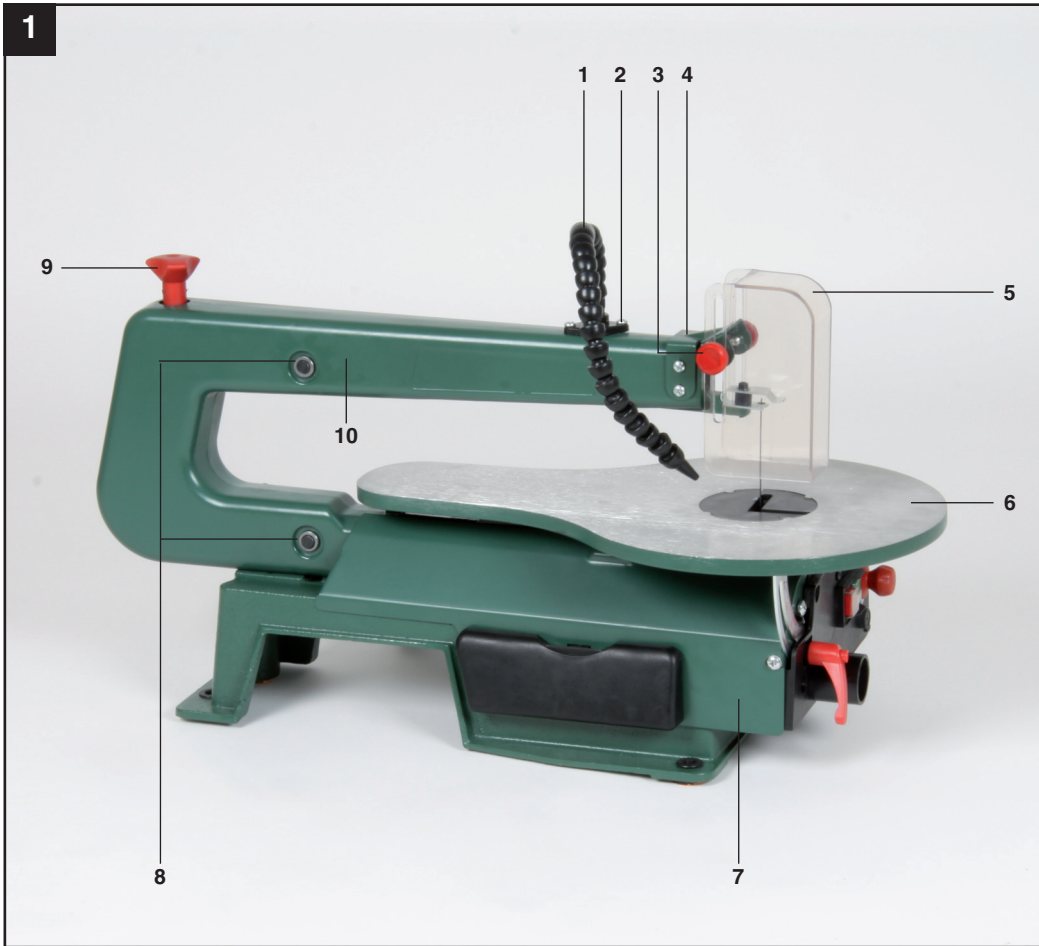
Преди прочита отворете страницата с изображенията и се запознайте след това с всички функции на уреда.

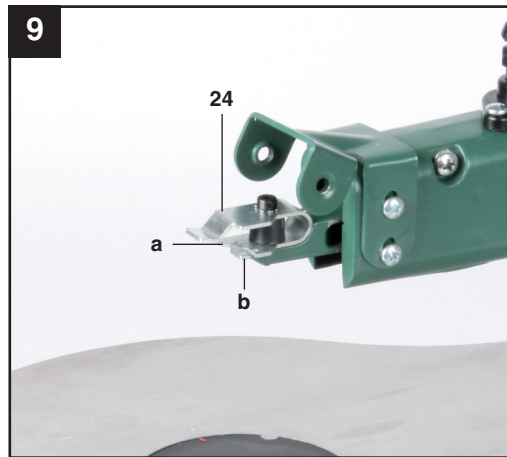
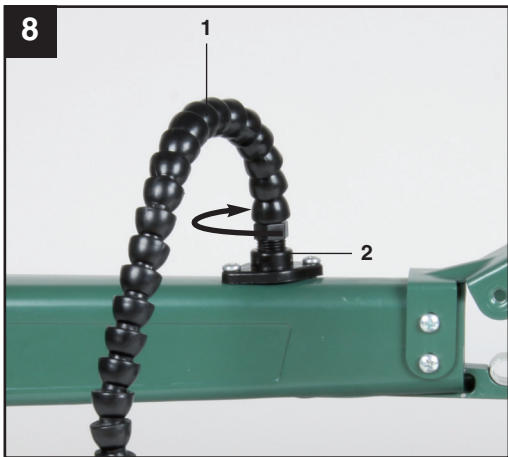
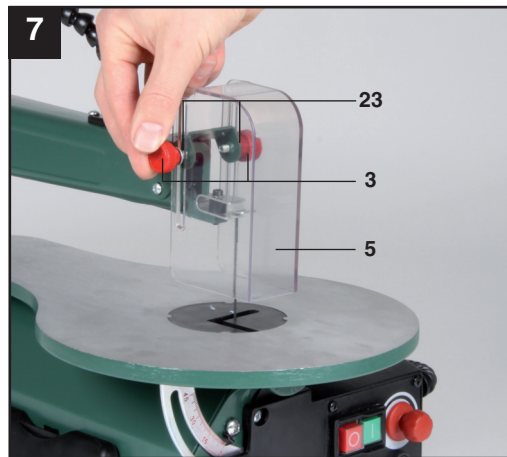
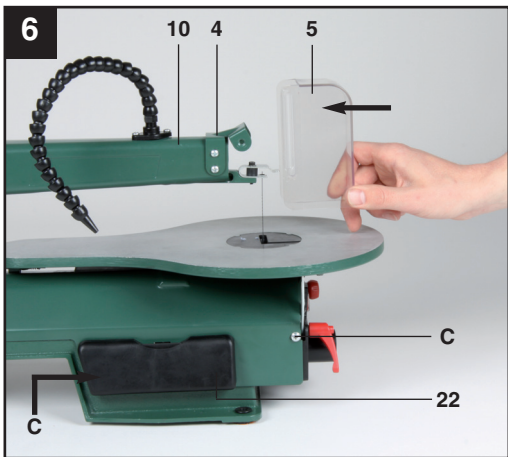
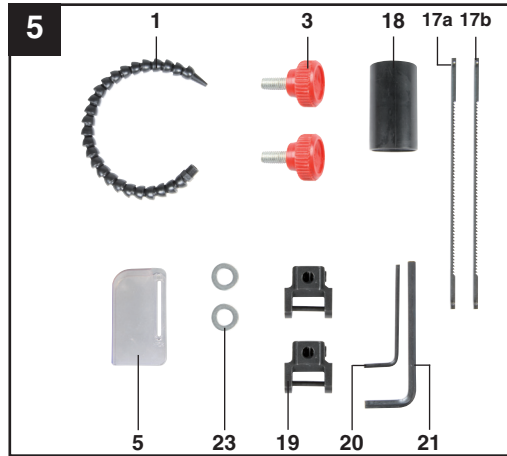
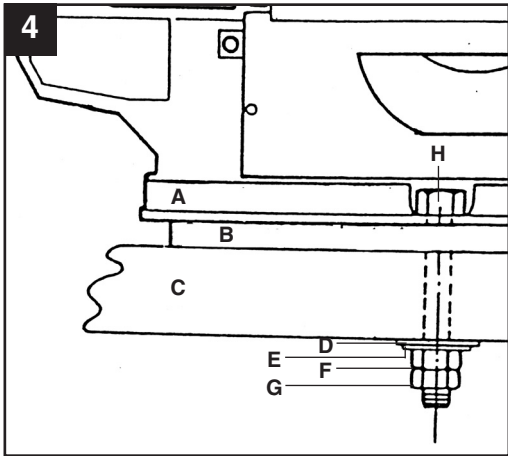
---

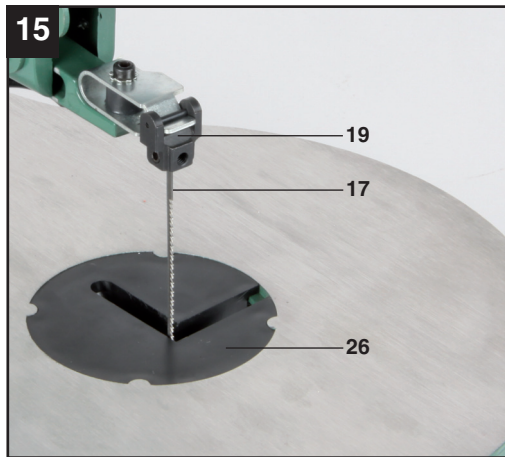
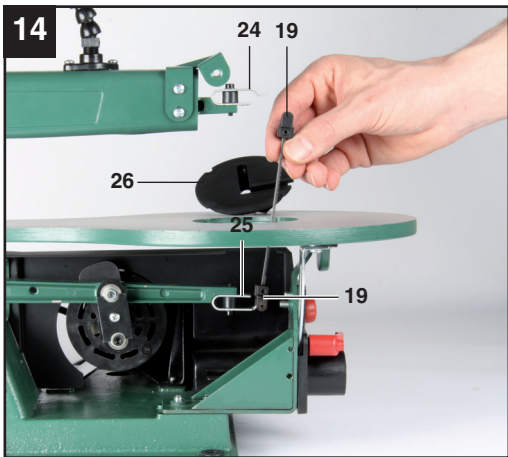
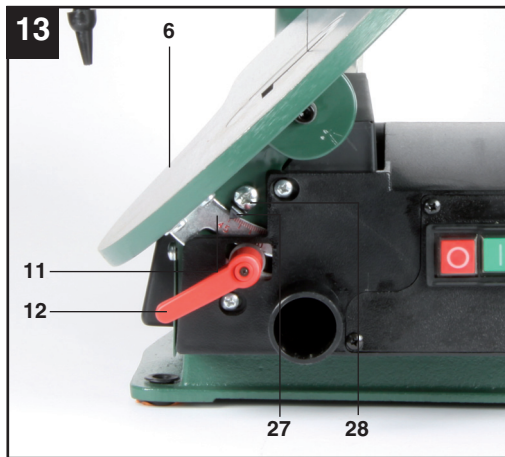
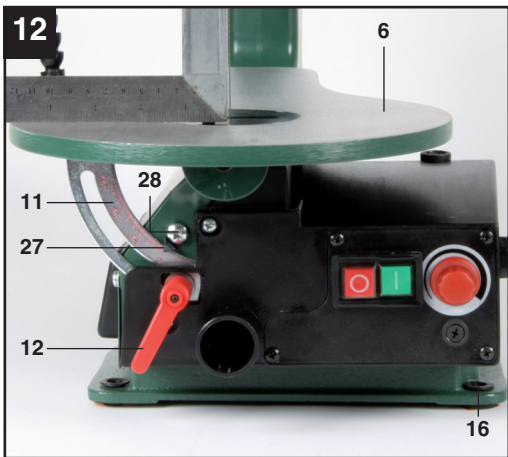
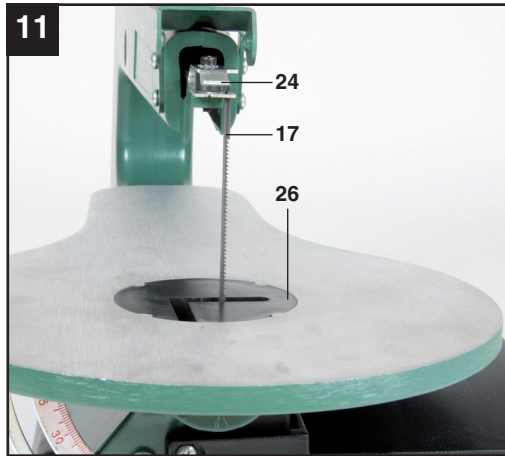
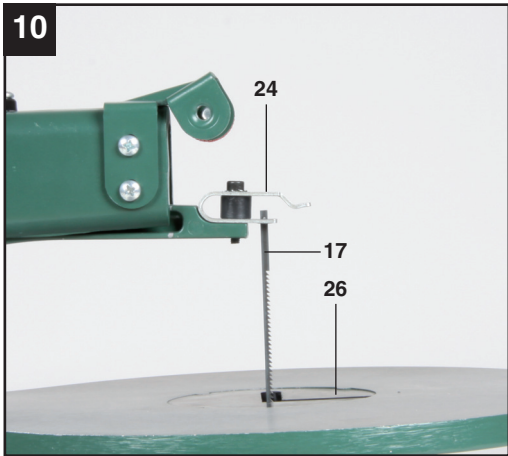
DE AT CH

Klappen Sie vor dem Lesen die Seite mit den Abbildungen aus und machen Sie sich anschließend mit allen Funktionen des Gerätes vertraut.

GB/CY	Operation and Safety Notes	Page	6
HR	Upute za posluživanje i za Vašu sigurnost	Stranica	20
BG	Указания за обслужване и безопасност	Страница	33
DE/AT/CH	Bedienungs- und Sicherheitshinweise	Seite	48







GB/  
CY

**Table of contents:**

**Page**

1. Introduction .....	8
2. Safety information .....	8-10
3. Layout .....	11
4. Supplied package .....	11
5. Proper use .....	12
6. Technical data .....	12-13
7. Before starting the machine .....	13-15
8. Operation .....	15
9. Replacing the power cable .....	16
10. Cleaning, maintenance, storage and ordering of spare parts .....	16
11. Disposal and recycling .....	16-17
12. Declaration of conformity .....	18
13. Warranty certificate .....	19

The reprinting or reproduction by any other means, in whole or in part, of documentation and papers accompanying products is permitted only with the express consent of ISC GmbH.

Technical changes subject to change

## Additional safety instructions



“CAUTION - Read the operating instructions to reduce the risk of injury”



### **Wear ear-muffs.**

The impact of noise can cause damage to hearing.



### **Wear a breathing mask.**

Dust which is injurious to health can be generated when working on wood and other materials. Never use the tool to work on any materials containing asbestos!



### **Wear safety goggles.**

Sparks generated during work or splinters, chips and dust emitted by the equipment can cause loss of sight.



### **Important. Risk of injury.**

Never reach into the running saw blade.

GB/  
CY

## 1. Introduction

### ⚠ Important.

When using the equipment, a few safety precautions must be observed to avoid injuries and damage. Please read the complete operating instructions and safety information with due care. Keep these operating instructions in a safe place so that the information is available at all times. If you give the equipment to any other person, hand over these operating instructions and the safety information as well. We cannot accept any liability for damage or accidents which arise due to a failure to follow these instructions and the safety information.

## 2. Safety information

### ⚠ CAUTION

**Read all the safety information and instructions.** Any errors made in following the safety information and instructions may result in an electric shock, fire and/or serious injury. **Keep all safety information and instructions in a safe place for future use.**

### 2.1 General safety information on electric power tools

**Important. The following safety precautions must be taken when using electric power tools in order to protect the user from electric shocks and the risk of injury and fire. Read and follow these instructions before using the equipment.**

1. **Keep your work area tidy**  
Untidy work areas can result in accidents.
2. **Check the ambient conditions**  
Do not expose electric tools to rain. Never use electric power tools in damp or wet locations. Provide good lighting. Do not use electric power tools near flammable liquids or gases.
3. **Protect yourself against electric shocks**  
Avoid bodily contact with earthed parts, e.g. pipes, radiators, cookers and refrigerators.

4. **Keep children away**  
Do not allow other persons to touch the tool or cable, keep them away from your work area.
5. **Keep your electric power tools in a safe place**  
Unused tools must be stored in a dry, locked room out of children's reach.
6. **Do not overload your tools**  
They will work better and more safely within their specified capacity range.
7. **Use the right tools**  
Do not use tools or attachments which are too weak for heavy duty work. Never use tools on jobs for which they are not intended; for example, do not use a hand-held circular saw to fell trees or lop off branches.
8. **Wear suitable work clothes**  
Never wear loose fittings clothes or jewelry. They may get caught in moving parts. Rubber gloves and non-slip shoes are recommended when working outdoors. Wear a hair net if you have long hair.
9. **Use personal safety equipment.**  
Wear safety goggles. Use a dust mask when working on dusty jobs.
10. **Do not use the cable for purposes other than that for which it is designed.**  
Do not carry the equipment by the cable and do not use the cable to pull the plug out of the socket. Protect the cable from heat, oil and sharp edges.
11. **Secure the workpiece**  
Use clamps or a vise to secure the workpiece. This is safer than using your hand and also enables you to operate the machine with both hands.
12. **Do not overstretch**  
Avoid abnormal working postures. Make sure you stand squarely and keep your balance at all times.
13. **Take care of your tools**  
Keep your tools sharp and clean in order to work well and safely. Follow the maintenance information and the instructions for changing tools. Check the power plug and cable on a regular basis and have them replaced by an authorized specialist if they are damaged. Check the



extension cable regularly and replace it if damaged. Keep handles dry and free from oil and grease.

**14. Pull out the power plug**

When tools are not in use, before starting any maintenance work or when changing attachments such as saw blades, drill bits and all kinds of mounted tools.

**15. Always remove keys and wrenches after use**

Always check that keys, wrenches and other adjusting tools have been removed before you switch on the equipment.

**16. Avoid unintentional starting**

Never carry a tool with your finger on the switch button while the tool is connected to the power supply. Make sure that the switch is turned off when connecting the tool to the power supply.

**17. When using an extension cable outdoors**

Check that it is approved for outdoor duty and is marked accordingly.

**18. Be alert at all times**

Watch what you are doing. Use common sense when working. Never use the tool when you are distracted.

**19. Check your tool for damage**

Before using the tool again, check the safety devices or any slightly damaged parts to ensure that they are in good working order. Check that the moving parts are working correctly, that they do not jam, and that no parts are damaged. Make sure that all parts are fitted correctly to ensure that the equipment remains safe to use.

Unless otherwise stated in the operating instructions, damaged guards and parts have to be repaired or replaced by a customer service workshop. Damaged switches have to be replaced by a customer service workshop. Never use an electric power tool with a switch that cannot be turned on and off.

**20. Important.**

For your own safety you must only use the accessories and additional units listed in the operating instructions or recommended or specified by the manufacturer. The use of mounted tools or accessories other than

those recommended in the operating instructions or catalog may place your personal safety at risk.

**21. Repairs may only be carried out by a qualified electrician**

This electric power tool complies with the pertinent safety information. Repair work must only be carried out by a trained electrician, otherwise the equipment may cause accidents.

**22. Connect up the dust extraction system**

If there are provisions for connecting up a dust extraction system, make sure that such a system is fitted and in use.

**Additional safety instructions**

- Switch the machine off immediately and pull the power plug in an emergency.
- Follow all these safety instructions before and while working with the saw.
- Do not use this saw to cut fire wood.
- Do not use this saw to cross-cut roundwood without a suitable holding device.
- The machine is equipped with a safety switch to prevent it from being switched on again accidentally after a power failure.
- If you need to use an extension cable, make sure its conductor cross-section is big enough for the saw's power consumption. Minimum cross-section 1 mm<sup>2</sup>.
- If you use a cable reel, the complete cable must be pulled off the reel.
- Persons working on the machine should not be distracted.
- After you have switched off the motor, never slow down the saw blade by applying pressure to its side.
- Only fit blades which are well sharpened and have no cracks or deformations.
- Faulty saw blades must be replaced immediately.
- Never use saw blades which do not comply with the data specified in this manual.
- It is imperative to make sure that all devices which cover the saw blade are in good working order.
- Never dismantle the machine's safety devices or render them inoperative.
- Damaged or faulty safety devices have to be replaced immediately.

GB/  
CY

- Never cut workpieces which are too small to hold securely in your hand.
- Never load the machine so much that it cuts out.
- Always press the workpiece firmly against the saw table.
- Never remove loose splinters, chips or jammed pieces of wood when the saw blade is running.
- Switch the machine off to rectify faults at the blocked plug-in tool. - Pull the power plug- Remove the blockage. Important! Risk of injury from saw blade! Wear gloves. Carry out a trial run without a workpiece. Ensure that no unusual noise or vibration occurs. Should this be the case, switch the unit off and contact the manufacturer.
- Carry out retooling work, adjustments, measurements and cleaning jobs only when the motor is switched off. - Pull the power plug. -
- Before switching on, make sure that all keys and wrenches have been removed from the tool.
- Switch off the motor and pull the power plug before you leave the workplace.
- Electrical installation work, repairs and maintenance may only be carried out by persons who have been specially trained.
- Refit all guards and safety devices immediately after you have completed any repairs or maintenance work.
- Be sure to observe the safety information and operating and maintenance instructions issued by the manufacturer, as well as the dimensions listed in the Technical Data.
- It is imperative to observe the accident prevention regulations in force in your area as well as all other generally recognized rules of safety.
- Note the information published by your professional associations (VBG 7j).
- The saw is intended to be used indoors only.
- Workpieces that are smaller than the saw blade guard can cause injuries to the hands or fingers. Use suitable aids!
- Avoid cramped hand positions when guiding in the workpiece and avoid positions in which slipping could lead to your hand making direct contact with the saw blade.
- Always fit the saw blade with the teeth facing in the direction of the sawing table.
- Always set the correct blade tension to prevent the saw blades from jerking.
- Be especially careful when cutting material with irregular cut profiles.
- Exercise particular caution when cutting round objects such as rods and pipes. These can roll down into the saw blade and cause the teeth to catch. Use a wedge to brace such workpieces.
- The teeth can become caught in the kerf when the workpiece is pulled back, especially if sawings have filled in (blocked) the kerf. In this case, you should switch the saw off, pull the power plug, clear the kerf with a wedge, and remove the workpiece.
- Never leave the work area without having already switched the saw off. Wait until the saw stops moving completely.
- Do not position, join, or construct any parts on the work table while the saw is running.
- Only switch the saw on after you have removed any remaining material and tools from the work table. Leave only the workpiece to be machined and any aids (e.g. wedges) on the work table.
- Always wear safety goggles!
- Keep your fingers at a safe distance from the saw blade.
- Carefully guide the workpiece and keep it steady at all times.
- Never leave the work area without having already switched the saw off.
- Do not let your familiarity with the saw allow you to be careless. Carelessness can lead to severe injuries within a fraction of a second.

**Do not lose this safety information.**

### 3. Layout (Figs. 1-15)

1. Blow-off device
2. Mounting
3. Knurled screw
4. Holder
5. Saw blade guard
6. Saw table
7. Cover, left
8. Bearings
9. Tightening screw
10. Arm
11. Graduated scale
12. Locking lever
13. Extractor connection
14. ON/OFF switch
15. Speed regulator
16. Assembly points
- 17a. 5x sawblade 15 teeth/25 mm (cutting width approx. 0.7 mm)
- 17b. 5x sawblade 18 teeth/25 mm (cutting width approx. 0.4 mm)
18. Vacuum extractor unit adapter
19. Adapter for coping saw blades
20. Allen key, 2.5 mm
21. Allen key, 4 mm
22. Storage box for saw blades
23. Washer
24. Saw blade holder, top
25. Saw blade holder, bottom
26. Table insert
27. Pointer
28. Screw

### 4. Supplied package

- Open the packaging and take out the equipment with care.
- Remove the packaging material and any packaging and/or transportation braces (if available).
- Check to see if all items are supplied.
- Inspect the equipment and accessories for transport damage.
- If possible, please keep the packaging until the end of the guarantee period.

#### IMPORTANT

**The equipment and packaging material are not toys. Do not let children play with plastic bags, foils or small parts. There is a danger of swallowing or suffocating!**

- Fretsaw
- Saw blade guard
- Knurled screw (2x)
- Washer, Ø 6 mm (2x)
- Blow-off device
- Spare saw blade (10x) (for wood and plastics)
- Adapter, coping saw blade (2x)
- Allen key, 2.5 mm
- Allen key, 4 mm
- Extractor adapter
- Original operating instructions

GB/  
CY

## 5. Proper use

The fretsaw was designed to cut square-edged timber or wood-like workpieces such as Plexiglas, glass fiber reinforced plastic, foam, rubber, leather, and cork. Do not use this saw to cut round materials. Round materials can easily become jammed. **Risk of injury! Parts can be catapulted!**

The equipment may only be used for the tasks it is designed to handle. Any other use is deemed to be a case of misuse. The user/operator and not the manufacturer will be liable for any damage or injuries of any kind caused as a result of this.

Please note that our equipment has not been designed for use in commercial, trade or industrial applications. Our warranty will be voided if the equipment is used in commercial, trade or industrial businesses or for equivalent purposes.

- The equipment is to be operated only with suitable saw blades. It is prohibited to use any type of cutting-off wheel.
- To use the equipment properly you must also observe the safety information, the assembly instructions and the operating instructions to be found in this manual.
- All persons who use and service the equipment have to be acquainted with these operating instructions and must be informed about the equipment's potential hazards.
- It is also imperative to observe the accident prevention regulations in force in your area.
- The same applies for the general rules of health and safety at work.
- The manufacturer will not be liable for any changes made to the equipment nor for any damage resulting from such changes.

### Residual risks

**Even if you use this electric power tool in accordance to instructions, certain residual risks cannot be eliminated. The following hazards may arise in connection with the equipment's construction and layout:**

- Lung damage if no suitable protective dust mask is applied
- Damage to hearing if no suitable ear protection is applied
- Contact with the blade in the uncovered cutting zone
- Injuries (cuts) when changing the blade
- Crushed fingers
- Kickback
- Tilting of the workpiece due to inadequate support
- Touching the blade
- Catapulting of pieces of timber and workpieces

## 6. Technical data

Mains voltage:	230 V ~ 50 Hz
Power input:	120 W
Operating mode:	S6 30%
Power input:	80 W
Operating mode:	S2 20 min
Idle speed $n_0$ :	400 - 1,600 rpm
Protection type:	IP 20
Stroke:	21 mm
Base area:	410 x 245 mm
Tilting range of table:	0° to 45° to the left
Table size:	410 x 253 mm
Length of saw blade:	134 mm
Reach:	406 mm
Max. cutting height at 90°:	57 mm
Max. cutting height at 45°:	32 mm
Weight:	approx. 10.5 kg

### Operating mode S6 30%:

Continuous operation with idling (cycle time 10 minutes). To ensure that the motor does not become excessively hot, it may only be operated for 30% of the cycle at the specified rating and must then be allowed to idle for 70% of the cycle.

**Operating mode S2 20 min:**

Rated operating period 20 min / rated idle period 20 min

A load factor of S2 20 min (intermittent periodic duty) means that you may operate the motor continuously at its nominal power level 80 W for no longer than the time stipulated on the specifications label (20 min). If you fail to observe this time limit the motor will overheat. During the OFF period the motor will cool again to its starting temperature.

**Noise emission values****Sound and vibration**

Sound and vibration values were measured in accordance with EN 61029.

**Wear ear-muffs.**

The impact of noise can cause damage to hearing.

	Mode	Idle
Sound pressure level $L_{pA}$ :	82.6 dB	62.3 dB
Uncertainty $K_{pA}$ :		3 dB
Sound power level $L_{WA}$ :	95.6 dB	75.3 dB
Uncertainty $K_{WA}$ :		3 dB

The quoted values are emission values and not necessarily reliable workplace values. Although there is a correlation between emission and immission levels it is impossible to draw any certain conclusions as to the need for additional precautions. Factors with a potential influence on the actual immission level at the workplace include the duration of impact, the type of room, and other sources of noise etc., e.g. the number of machines and other neighboring operations. Reliable workplace values may also vary from country to country. With this information the user should at least be able to make a better assessment of the dangers and risks involved.

**Reduce noise generation and vibration to a minimum!**

Use only equipment that is in perfect condition. Maintain and clean the equipment regularly. Adopt your way of working to the equipment. Do not overload the equipment. Have the equipment checked if necessary. Switch off the equipment when not in use.

**7. Before starting the machine****Important.**

**Always pull out the power plug before making adjustments to the equipment.**

**7.1 General information**

- All covers and safety devices have to be properly fitted before the equipment is switched on.
- It must be possible for the blade to run freely.
- When working with wood that has been processed before, watch out for foreign bodies such as nails or screws, etc.
- Before you actuate the On/Off switch, make sure that the saw blade is correctly fitted and that the equipment's moving parts run smoothly.
- Check that the voltage on the rating plate is the same as your supply voltage before you connect the equipment to the power supply.
- Only ever connect the equipment to a properly installed shock-proof socket which is protected by a 10A fuse as a minimum.

**7.2 Installing the fretsaw on a workbench (Fig. 3, 4)**

The unit may only be installed by a professional.

Required for installing (not provided):

- M8 hex screw (4x)
- M8 hex nut (8x)
- Washer, Ø 8 mm (4x)
- Flat gasket, Ø 8 mm (4x)
- Rubber base: 450 x 250 x 13 mm

GB/  
CY

The length of the screws to be used varies, depending on the thickness of the table top.

- Install the fretsaw on a work table made from solid wood. This will avoid excessive noise caused by vibrations.
- Mark the drill holes. Use the fretsaw as a template for this purpose.
- Drill 4 holes with a diameter of 9 mm into the work table and the rubber base.
- Screw the fretsaw to the table using the mounting points (Fig. 3/12, Item 16) and in the following sequence (Fig. 4):

- A) Fretsaw
- B) Rubber base
- C) Work table
- D) Flat gasket
- E) Washer
- F) Hex nut
- G) Hex nut
- H) Hex screw

- Tighten the hex nut (F) and secure it with a second hex nut (G).

### 7.3 Assembly

Important! Always pull out the power plug before carrying out any maintenance or conversion work on the fretsaw.

#### 7.3.1 Mounting the saw blade guard and the sawdust blower facility (Fig. 6/7/8)

- Slide the saw blade guard (5) onto the holder (4).
- Push the knurled screws (3) through the oval holes of the saw blade guard (5) and tighten.
- The saw blade guard can be affixed at different heights using the knurled screws.
- Mount the blow-off device (1) as shown in Figure 8.

#### 7.3.2 Changing the saw blade (Fig. 1/6/9/10/11/14)

##### Important

**To avoid injuries attributed to inadvertent startup: Always move the switch to the "0" position and pull the power plug out of the socket outlet before removing or changing the saw blade.**

- Turn the tightening screw (9) counterclockwise to remove the tension from the saw blade (17).
- Unscrew the left cover (7). To do this, open the cover of the storage box (22) and remove the screws (C) (Fig. 6). (It is also possible to change the saw blade without removing the left cover. This, however, requires a little bit of finesse.)
- Remove the saw blade from the upper saw blade holder (24) while pressing down on the upper pendulum arm.
- Remove the saw blade from the lower saw blade holder (25).
- Lift the saw blade up and out of the table insert (26).
- Insert new saw blade in reverse order.

**Important: Always fit the saw blade with the teeth facing downward in the direction of the saw table.**

The saw blade can be inserted into groove a (Fig. 9,10) or b (Fig. 9,11):

##### Groove a:

For cuts longitudinal to the arm

##### Groove b:

For cuts transverse to the arm

Tension the saw blade by turning the tightening screw (9) to the right. When the tightening screw becomes a little harder to turn, turn it approximately 3 times more (3 full turns) to ensure that it is properly tensioned.

- Reinstall the left cover (7) (only if removed).

### 7.3.3 Calibrating the angle scale

**Important:** The angle scale is already properly set when delivered.

Align the saw table using a 90° stop angle on the table and at the saw blade (Fig. 12). Slacken the screw (28) and turn the pointer (27) to the 90° mark.

Carry out a test run for precise machining:

Test the angle set by making a sample cut and checking the respective number of degrees on the workpiece using an angle gage. Readjust the pointer (27) if necessary.

## 8. Operation

### 8.1 Note:

- The saw does not cut wood automatically. Rather, the operator must push and guide the wood toward the moving saw blade.
- The teeth only cut the wood on the downstroke.
- The wood must be slowly pushed and guided toward the saw blade, since the teeth of the blade are very small.
- Those who want to use the saw must go through the process of learning how to do so. During this time, a few blades will invariably break.
- When cutting thicker wood, special attention must be paid not to bend or twist the saw blade.

Handling the saw blade properly increases its service life.

### 8.2 ON/OFF switch (Fig. 2/Item 14)

- Press the "I" button to switch on.
- Press the "O" button to switch off.

**Important:** The machine is equipped with a safety switch to prevent it from being switched on again accidentally after a power failure.

If the mains power supply is interrupted when the fretsaw is switched on, the saw will switch off and remain in this state, even after the power is restored. Press the "I" switch again to switch the saw back on.

### 8.3 Speed regulator

The speed regulator (15) allows you to set the blade speed appropriate to the material to be cut. We recommend high speeds for soft material and low speeds for hard material. Turning the speed regulator (15) to the right increases rotational speed.

### 8.4 Inside cutting

One of the features of this fretsaw is that it can make cuts inside a panel without damaging the outside or edges.

To cut inside a panel:

- Remove the saw blade as described in section 7.3.2.
- Drill a hole in the panel in question.
- Lay the panel with the hole over the access hole in the saw table.
- Insert the saw blade through the hole in the panel and set the blade tension.
- When you have finished cutting, remove the saw blade from the blade holders (as described in section 7.3.2) and lift the panel off the table.

### 8.5 Miter cutting

Swivel the saw table by loosening the locking lever (12) and tilting the table to the desired position (Fig. 13). Tighten the locking lever.

### Important.

Be especially careful when making miter cuts. The angle of the saw table makes it easier for the workpiece to slip. **Risk of injury.**

### 8.6 Adapter for coping saw blades (Fig. 5/14)

- Remove the saw blade as described in 7.3.2.
- Now insert the coping saw blade (17) in the adapter. Use the 2.5 mm Allen key for this. **Important:** The coping saw blade is not supplied.
- First remove the table insert (26).
- Then hook both adapters (19) on the two saw blade holders (24/25).
- Insert the saw blade as described in 7.3.2.

GB/  
CY

## 9. Replacing the power cable

If the power cable for this equipment is damaged, it must be replaced by the manufacturer or its after-sales service or similarly trained personnel to avoid danger.

## 10. Cleaning, maintenance, storage and ordering of spare parts

### Important.

Always pull out the power plug before starting any cleaning work.

### 10.1 Cleaning

- Keep all safety devices, air vents and the motor housing free of dirt and dust as far as possible.
- We recommend that you clean the equipment immediately after you use it.
- Open the left cover (Fig. 1/Item 7) and remove coarse contaminants (sawings, dust) with a hand broom.
- Wipe the equipment with a clean cloth or blow it down with compressed air at low pressure.
- Clean the equipment regularly with a damp cloth and some soft soap. Do not use cleaning agents or solvents; these may be aggressive to the plastic parts in the equipment. Ensure that no water can get into the interior of the equipment.

### 10.2 Servicing

There are no parts inside the equipment which require additional maintenance.

#### 10.2.1 Bearing(s) (Fig. 1/Item 8)

Periodically lubricate the bearings of the guide rollers with high-grade machine grease, at the latest however after 25 to 30 hours of operation.

#### 10.2.2 Carbon brushes

In case of excessive sparking, have the carbon brushes checked only by a qualified electrician. Important: The carbon brushes should not be replaced by anyone but a qualified electrician.

### 10.3 Storage

Store the equipment and accessories out of children's reach in a dark and dry place at above freezing temperature. The ideal storage temperature is between 5 and 30 °C. Store the electric tool in its original packaging.

### 10.4 Ordering replacement parts

The following information must be provided on all orders for spare parts:

- Model/type of the equipment
- Article number of the equipment
- ID number of the equipment

For our latest prices and information please go to [www.isc-gmbh.info](http://www.isc-gmbh.info).

## 11. Disposal and recycling

The equipment is supplied in packaging to prevent it from being damaged in transit. The raw materials in this packaging can be reused or recycled. The equipment and its accessories are made of various types of material, such as metal and plastic. Defective components must be disposed of as special waste. Ask your dealer or your local council.



For EU countries only

Never place any electric power tools in your household refuse.

To comply with European Directive 2002/96/EC concerning old electric and electronic equipment and its implementation in national laws, old electric power tools have to be separated from other waste and disposed of in an environment-friendly fashion, e.g. by taking to a recycling depot.



GB/  
CY

Recycling alternative to the return request:  
As an alternative to returning the equipment to the manufacturer, the owner of the electrical equipment must make sure that the equipment is properly disposed of if he no longer wants to keep the equipment. The old equipment can be returned to a suitable collection point that will dispose of the equipment in accordance with the national recycling and waste disposal regulations. This does not apply to any accessories or aids without electrical components supplied with the old equipment.

GB/  
CY

## 12. Declaration of conformity

Einhell Germany AG · Wiesenweg 22 · D-94405 Landau/Isar



## Konformitätserklärung

- erklärt folgende Konformität gemäß EU-Richtlinie und Normen für Artikel  
 explains the following conformity according to EU directives and norms for the following product  
 déclare la conformité suivante selon la directive CE et les normes concernant l'article  
 dichiara la seguente conformità secondo la direttiva UE e le norme per l'articolo  
 verklaart de volgende overeenstemming conform EU richtlijn en normen voor het product  
 declara la siguiente conformidad a tenor de la directiva y normas de la UE para el artículo  
 declara a seguinte conformidade, de acordo com a directiva CE e normas para o artigo  
 atterer følgende overensstemmelse i medfør af EU-direktiv samt standarder for artikel  
 förklarar följande överensstämmelse enl. EU-direktiv och standarder för artikeln  
 vakuuttaa, että tuote täyttää EU-direktiivin ja standardien vaatimukset  
 töendab toote vastavust EL direktiivile ja standarditele  
 vydává následující prohlášení o shodě podle směrnice EU a norem pro výrobek  
 potrjuje sledečo skladnost s smernico EU in standardi za izdelek  
 vydáva nasledujúce prehlásenie o zhode podľa smernice EÚ a noriem pre výrobok  
 a cikkekhez az EU-irányvonal és Normák szerint a következő konformitást jelenti ki  
 deklaruje zgodność wymienionego poniżej artykułu z następującymi normami na podstawie dyrektywy WE.  
 декларира съответното съответствие съгласно Директива на ЕС и норми за артикул  
 paskaidro šādu atbilstību ES direktīvai un standartiem  
 aribūcina šj atitikimą EU reikalavimams ir prekės normoms  
 declară următoarea conformitate conform directivei UE și normelor pentru articolul  
 δηλώνει την ακόλουθη συμμόρφωση σύμφωνα με την Οδηγία ΕΚ και τα πρότυπα για το προϊόν  
 potvrđuje sljedeću usklađenost prema smjernicama EU i normama za artikl  
 potvrđuje sljedeću usklađenost prema smjernicama EU i normama za artikl  
 potvrđuje sledeću usklađenost prema smernicama EZ i normama za artikl  
 следующим удостоверяется, что следующие продукты соответствуют директивам и нормам ЕС  
 проголошує про зазначену нижче відповідність виробу директивам та стандартам ЄС на виріб  
 ja izjavува следната сообрзност согласно EУ-директивата и нормите за артикли  
 Ürünü ile ilgili AB direktifleri ve normları gereğince aşağıda açıklanan uygunluğu belirtir  
 erklærer følgende samsvar i henhold til EU-direktivet og standarder for artikkel  
 Lýsir uppfyllingu EU-reglna og annarra staða vöru

## Dekupiersäge PDKS 120 A2 (Parkside)

- 87/404/EC\_2009/105/EC  
 2005/32/EC\_2009/125/EC  
 2006/95/EC  
 2006/28/EC  
 2004/108/EC  
 2004/22/EC  
 1999/5/EC  
 97/23/EC  
 90/396/EC\_2009/142/EC  
 89/686/EC\_96/58/EC
- 2006/42/EC  
 Annex IV  
 Notified Body:  
 Notified Body No.:  
 Reg. No.:
- 2000/14/EC\_2005/88/EC  
 Annex V  
 Annex VI  
 Noise: measured  $L_{WA}$  = dB (A); guaranteed  $L_{WA}$  = dB (A)  
 P = KW; L $\varnothing$  = cm  
 Notified Body:
- 2004/26/EC  
 Emission No.:

Standard references: EN 61029-1; EN 55014-1; EN 55014-2; EN 61000-3-2; EN 61000-3-3

Landau/Isar, den 30.03.2011

  
Weichselgartner/General Manager


  
Wentao/Product-Management

First CE: 11  
 Art.-No.: 43.090.28 I.-No.: 11011  
 Subject to change without notice

Archive-File/Record: NAPR003895  
 Documents registrar: Siegfried Roider  
 Wiesenweg 22, D-94405 Landau/Isar

# 13. GUARANTEE CERTIFICATE

## Dear Customer,

All of our products undergo strict quality checks to ensure that they reach you in perfect condition. In the unlikely event that your device develops a fault, please contact our service department at the address shown on this guarantee card. Of course, if you would prefer to call us then we are also happy to offer our assistance under the service number printed below. Please note the following terms under which guarantee claims can be made:

1. These guarantee terms cover additional guarantee rights and do not affect your statutory warranty rights. We do not charge you for this guarantee.
2. Our guarantee only covers problems caused by material or manufacturing defects, and it is restricted to the rectification of these defects or replacement of the device. Please note that our devices have not been designed for use in commercial, trade or industrial applications. Consequently, the guarantee is invalidated if the equipment is used in commercial, trade or industrial applications or for other equivalent activities. The following are also excluded from our guarantee: compensation for transport damage, damage caused by failure to comply with the installation/assembly instructions or damage caused by unprofessional installation, failure to comply with the operating instructions (e.g. connection to the wrong mains voltage or current type), misuse or inappropriate use (such as overloading of the device or use of non-approved tools or accessories), failure to comply with the maintenance and safety regulations, ingress of foreign bodies into the device (e.g. sand, stones or dust), effects of force or external influences (e.g. damage caused by the device being dropped) and normal wear resulting from proper operation of the device. This applies in particular to rechargeable batteries for which we nevertheless issue a guarantee period of 12 months.  
  
The guarantee is rendered null and void if any attempt is made to tamper with the device.
3. The guarantee is valid for a period of 3 years starting from the purchase date of the device. Guarantee claims should be submitted before the end of the guarantee period within two weeks of the defect being noticed. No guarantee claims will be accepted after the end of the guarantee period. The original guarantee period remains applicable to the device even if repairs are carried out or parts are replaced. In such cases, the work performed or parts fitted will not result in an extension of the guarantee period, and no new guarantee will become active for the work performed or parts fitted. This also applies when an on-site service is used.
4. In order to assert your guarantee claim, please send your defective device postage-free to the address shown below. Please enclose either the original or a copy of your sales receipt or another dated proof of purchase. Please keep your sales receipt in a safe place, as it is your proof of purchase. It would help us if you could describe the nature of the problem in as much detail as possible. If the defect is covered by our guarantee then your device will either be repaired immediately and returned to you, or we will send you a new device.

Of course, we are also happy offer a chargeable repair service for any defects which are not covered by the scope of this guarantee or for units which are no longer covered. To take advantage of this service, please send the device to our service address.

**EINHELL Hellas A. E.**  
Lasithiou Str. 4  
14342 Nea Philadelphia  
Tel. 0210 2776871 · Fax 0210 2776871

**HR**

<b>Sadržaj:</b>	<b>Stranica</b>
1. Uvod .....	22
2. Sigurnosne napomene .....	22-24
3. Opis uređaja .....	25
4. Sadržaj isporuke .....	25
5. Namjenska uporaba .....	25-26
6. Tehnički podaci .....	26-27
7. Prije puštanja u rad .....	27-28
8. Rukovanje .....	28-29
9. Zamjena mrežnog kabela .....	29
10. Čišćenje, održavanje, skladištenje i narudžba rezervnih dijelova .....	30
11. Zbrinjavanje u otpad i recikliranje .....	30
12. Izjava o usklađenosti .....	31
13. Jamstveni list .....	32

Naknadno tiskanje ili slična umnožavanja dokumentacije i pratećih papira ovih proizvoda, čak i djelomično kopiranje, moguće je samo uz izričito dopuštenje tvrtke ISC GmbH.

Zadržavamo pravo na tehničke izmjene.

## Dodatne sigurnosne napomene



„UPOZORENJE – pročitajte upute za uporabu kako bi se smanjio rizik od ozljeđivanja“



### **Nosite zaštitu za sluh.**

Buka može utjecati na gubitak sluha.



### **Nosite masku za zaštitu od prašine.**

Kod obrade drva i drugih materijala može doći do stvaranja prašine štetne po zdravlje.  
Azbestni materijali ne smiju se obrađivati!



### **Nosite zaštitne naočale.**

Iskre koje nastaju za vrijeme rada, iverje, piljevina i prašina koji izlaze iz uređaja mogu izazvati gubitak vida.



### **Pozor! Opasnost od ozljeđivanja!**

Ne zahvaćajte u rotirajući list pile!

## 1. Uvod

### ⚠ **Pozor!**

Tijekom uporabe uređaja morate se pridržavati sigurnosnih propisa kako biste spriječili nastanak ozljeda i šteta. Zato pažljivo pročitajte ove upute za uporabu / sigurnosne napomene. Dobro ih sačuvajte tako da Vam informacije u svako doba budu na raspolaganju. Ako biste trebali ovaj uređaj predati drugim osobama, molimo da im prosljedite i ove upute za uporabu. Ne preuzimamo jamstvo za štete nastale zbog nepridržavanja ovih uputa za uporabu i sigurnosnih napomena.

## 2. Sigurnosne napomene

### ⚠ **UPOZORENJE**

**Pročitajte sve sigurnosne napomene i upute.** Posljedica nepridržavanja sigurnosnih napomena i uputa može biti električni udar, požar i/ili teške ozljede.

**Sačuvajte sve sigurnosne napomene i upute za ubuduće.**

### 2.1 Opće napomene o sigurnom radu elektrouređaja

**Pozor! Prilikom korištenja elektroalata treba se pridržavati sljedećih sigurnosnih mjera za zaštitu od električnog udara, ozljeđivanja i požara. Prije nego što počnete koristiti uređaj, pročitajte i pridržavajte se ovih napomena.**

- 1. Svoje radno područje držite urednim**  
Nered u radnom području uzrokuje opasnost od nezgode.
- 2. Obratite pozornost na utjecaje okoline**  
Ne izlažite elektroalate kiši. Ne koristite elektroalate u vlažnoj ili mokroj okolini. Pobrinite se za dobru rasvjetu. Ne koristite elektroalate u blizini zapaljivih tekućina ili plinova.
- 3. Zaštitite se od električnog udara**  
Izbjegavajte dodir tijela s uzemljenim dijelovima, npr. cijevima, grijaćim tijelima,

štednjacima, hladnjacima.

- 4. Djecu držite podalje!**  
Ne dopustite drugim osobama da dodiruju alat ili kabel, držite ih podalje od Vašeg radnog područja.
- 5. Alate čuvajte na sigurnom mjestu**  
Alate koji se ne koriste treba čuvati na suhom, zaključanom mjestu izvan dohvata djece.
- 6. Ne preopterećujte alate**  
Radit ćete bolje i sigurnije u navedenom području snage.
- 7. Upotrijebite pravi alat**  
Za teške radove ne koristite preslabe alate ili uređaje.  
Ne koristite alate u svrhe i za radove za koje nisu namijenjeni; npr. ne koristite ručnu kružnu pilu za obaranje stabala ili rezanje grana.
- 8. Nosite prikladnu radnu odjeću**  
Ne nosite široku odjeću niti nakit. Mogli bi ih zahvatiti pokretni dijelovi. Prilikom radova na otvorenom preporučujemo da nosite gumene rukavice i obuću u kojoj se ne skliže. Nosite mrežicu za dugu kosu.
- 9. Koristite zaštitnu opremu**  
Nosite zaštitne naočale. Koristite masku za dišne putove kod radova koji stvaraju prašinu.
- 10. Ne koristite kabel u svrhe za koje nije namijenjen**  
Ne nosite alat držeći ga za kabel i ne koristite kabel za izvlačenje utikača iz utičnice. Mrežni kabel zaštitite od vrućine, ulja i oštih bridova.
- 11. Osigurajte radni komad**  
Da biste radni komad fiksirali, koristite stezne naprave ili škripac. Na taj je način on je sigurnije fiksiran nego u Vašim rukama i omogućuje rukovanje strojem objema rukama.
- 12. Ne remetite stabilnost Vašeg radnog položaja**  
Izbjegavajte nenormalni položaj tijela. Pobrinite se za siguran položaj i uvijek držite ravnotežu.
- 13. Pažljivo nježite svoje alate**  
Da biste alatima mogli dobro i sigurno raditi, uvijek ih čistite i oštrite. Pridržavajte se propisa o održavanju i napomena kod

zamjene alata. Redovito kontrolirajte utikač i kabel i u slučaju da se oštete, dajte ovlaštenom električaru da ih zamijeni. Redovito kontrolirajte produžni kabel i zamijenite ga ako je oštećen. Ručke moraju biti suhe i očišćene od ulja i masti.

#### 14. Izvucite utikač iz strujne utičnice

U slučaju nekorištenja, prije održavanja i kod zamjene alata, kao npr. lista pile, svrdla i strojnih alata svih vrsta.

#### 15. Ne ostavljajte utaknut ključ za alat

Prije uključivanja provjerite jesu li ključ i alati za podešavanje uklonjeni.

#### 16. Izbjegavajte pokretanje uređaja bez nadzora

Ne nosite alate koji su priključeni na strujnu mrežu držeći prst na prekidaču. Provjerite je li sklopka isključena prilikom uključivanja uređaja u strujnu mrežu.

#### 17. Produžni kabel na otvorenom

Na otvorenom koristite samo za to dopuštene i na odgovarajući način označene produžne kabele.

#### 18. Uvijek budite na oprezu

Promatrajte što radite. Razumno započnite s radom. Ne koristite alat, ako niste usredotočeni na posao.

#### 19. Provjerite ima li na uređaju oštećenja

Prije daljnje uporabe alata mora se dobro provjeriti funkcioniraju li zaštitne naprave ili neznatno oštećeni dijelovi besprijekorno i namjenski. Provjerite funkcioniraju li pokretni dijelovi propisno i ne zapinju li odnosno jesu li oštećeni. Sve dijelove morate ispravno montirati kako bi se zajamčio siguran rad uređaja. Oštećene zaštitne naprave i dijelove mora stručno popraviti ili zamijeniti ovlašteni servis, osim ako u uputama za uporabu nije drukčije navedeno. Oštećenu sklopku neka zamijeni servisna služba. Ne koristite alate kod kojih se sklopka ne može uključiti i isključiti.

#### 20. Pozor!

Za Vašu vlastitu sigurnost koristite samo pribor i dodatne uređaje koji su navedeni u uputama za uporabu ili ih je preporučio i naveo proizvođač alata. Korištenje drugačijeg alata ili pribora od onog koji se preporuča u uputama za uporabu ili

katalogu može za Vas predstavljati opasnost od ozljeđivanja.

#### 21. Popravke smije obavljati samo kvalificirani električar

Ovaj elektroalat odgovara relevantnim sigurnosnim odredbama. Popravke smije obavljati samo električar, u suprotnom može doći do nesreće po korisnika.

#### 22. Priključite napravu za odsisavanje prašine

Ako postoje priključci za naprave za odsisavanje prašine, provjerite jesu li one priključene i koristite li se.

#### Specijalne sigurnosne napomene

- U slučaju nužde direktno isključite stroj i izvucite mrežni utikač.
- Obratite pozornost na sve ove napomene prije i za vrijeme rada s pilom.
- Nemojte koristiti pilu za rezanje ogrjevnog drva.
- Izbjegavajte poprečno rezanje okruglih drva bez prikladnog oslonca.
- Stroj je opremljen sigurnosnom sklopkom protiv ponovnog uključivanja u slučaju nestanka napona.
- Ako trebate produžni kabel, provjerite je li njegov presjek dovoljan za provođenje struje za rad pile. Najmanji presjek 1 mm<sup>2</sup>.
- Kolut s kabelom koristite samo ako je kabel odmotan.
- Ne skrećite pozornost osobama koje rade na stroju.
- Nakon isključivanja pogona ni u kojem slučaju nemojte list pile zaustavljati bočnim pritiskom.
- Montirajte samo dobro nabrušene, cijele i nedeformirane listove pile.
- Neispravni listovi pile moraju se odmah zamijeniti.
- Ne koristite listove pile koji ne odgovaraju karakteristikama navedenim u ovim uputama za uporabu.
- Provjerite rade li sve naprave koje prekrivaju list pile besprijekorno.
- Sigurnosne naprave na stroju ne smiju se demontirati niti onesposobljavati.
- Oštećene ili neispravne sigurnosne naprave obavezno zamijenite.
- Ne režite premale komade koje ne možete

sigurno držati rukama.

- Ne opterećujte stroj tako da se zaustavi.
- Radni komad uvijek čvrsto pritisnite na radnu plohu.
- Nikad ne uklanjajte iverje, piljevinu ili uklještene dijelove drveta dok list pile radi.
- Kod uklanjanja smetnji na blokiranom alatu koji koristite, isključite stroj. -Izvućite mrežni utikač – uklonite blokadu. Pozor! Opasnost od ozljeđivanja na listu pile! Nosite zaštitne rukavice! Obavite probni rad bez radnog komada. Pazite da ne nastupi neželjena buka ili vibracije. Ako je to slučaj, isključite uređaj i obratite se proizvođaču.
- Preinake kao i radove podešavanja, mjerenja i čišćenja obavljajte samo kod isključenog motora.
  - Izvućite mrežni utikač. -
- Prije uključivanja provjerite jesu li ključ i alati za podešavanje uklonjeni.
- Kod napuštanja radnog mjesta isključite motor i izvućite mrežni utikač.
- Elektroinstalacije, popravke i radove održavanja smije obavljati samo stručno osoblje.
- Sve zaštitne i sigurnosne naprave moraju se montirati odmah nakon obavljenog popravka ili radova održavanja.
- Pridržavajte se proizvođačevih napomena o sigurnosti, načinu rada i održavanja kao i dimenzija navedenih u Tehničkim podacima.
- Morate se pridržavati zakonskih odredaba o sprječavanju nesreća na radu kao i ostalih opće priznatih sigurnosno-tehničkih pravila.
- Pridržavajte se pravilnika strukovnog udruženja (VBG 7j).
- Pila je namijenjena za rad isključivo u zatvorenom prostoru.
- Radni komad koji su manji od zaštite lista pile mogu dovesti do ozljeđivanja ruku i prstiju. Koristite prikladna pomoćna sredstva!
- Izbjegavajte zgrčene položaje ruku kod vođenja radnog komada i položaje u kojima proklizavanje vodi ruku direktno u list pile.
- Montirajte list pile uvijek tako da zupci pokazuju prema dolje i radnom stolu.
- Uvijek podesite pravilnu napetost lista pile kako biste izbjegli pucanje listova pile.

- Budite naročito pažljivi kod rezanja materijala s nepravilnim profilima rezanja.
- Budite naročito oprezni kod rezanja okruglih predmeta, kao što su šipke ili cijevi. Takvi se mogu kotrljati ispred lista pile i dovesti do uklještenja zubaca. Takve radne komade uklješćite klinom.
- Kod povlaćenja radnog komada zupci se mogu uklješćiti u prorez, naročito ako prorez blokira piljevinu. U tom slučaju trebali biste prekinuti rad s pilom, izvući mrežni utikač, pomoću klina raširiti prorez i osloboditi radni komad.
- Nikad ne napuštajte radno mjesto a da prethodno niste isključili pilu. Pričekajte da se pila potpuno umiri.
- Ne stavljajte, lijepite niti ne sastavljajte dijelove na radnom stolu dok pila radi.
- Pilu uključujte tek nakon što oslobodite radni stol od ostataka materijala i alata. Na radnom stolu ostavljajte samo radni komad koji obrađujete i eventualno pomoćna sredstva (klinove).
- Uvijek nosite zaštitne naočale.
- Držite prste na sigurnom razmaku od lista pile.
- Vodite radni komad sigurno i čvrsto i ni u kojem trenutku ga ne pušćajte.
- Nikad ne napuštajte radno mjesto a da prethodno niste isključili pilu.
- Ne dajte da vas iskustvo s pilom dovede do nepažnje. Zbog nepažnje može već u djeliću sekunde doći do teških ozljeđivanja.

**Dobro spremite ove sigurnosne napomene.**



### 3. Opis uređaja (sl. 1 - 15)

1. Naprava za odsisavanje
2. Držač
3. Nazubljeni vijak
4. Držač
5. Zaštita lista pile
6. Stol pile
7. Pokrov lijevo
8. Ležajevi
9. Vijak za pritezanje
10. Nosač
11. Skala u stupnjevima
12. Poluga za fiksiranje
13. Priključak za odsisavanje prašine
14. Sklopka za uključivanje/isključivanje
15. Regulator broja podizanja
16. Montažne točke
- 17a. 5x list pile 15 zubaca/25 mm (širina reza oko 0,7 mm)
- 17b. 5x list pile 18 zubaca/25 mm (širina reza oko 0,4 mm)
18. Adapter za usisavanje prašine
19. Adapter za tanke listove pile
20. Imbus ključ 2,5 mm
21. Imbus ključ 4 mm
22. Spremište listova pile
23. Podložna pločica
24. Držač lista pile gore
25. Držač lista pile dolje
26. Uložak stola
27. Kazaljka
28. Vijak

### 4. Sadržaj isporuke

- Otvorite pakovinu i pažljivo izvadite uređaj.
- Uklonite materijal za pakiranje kao i osigurače pakovine i transporta (ako postoje).
- Provjerite je li sadržaj isporuke potpun.
- Provjerite ima li na uređaju i dijelovima pribora transportnih oštećenja.
- Po mogućnosti sačuvajte pakovinu do isteka jamstvenog roka.

### POZOR

**Uređaj i materijal za pakiranje nisu dječje igranje! Djeca se ne smiju igrati s plastičnim vrećicama, folijama i sitnim dijelovima! Postoji opasnost od gutanja i gušenja!**

- Pila za izrezivanje
- Zaštita lista pile
- Nazubljeni vijak (2x)
- Podložna pločica Ø 6 mm (2x)
- Naprava za odsisavanje
- Rezervni list pile (10x) (za drvo i plastiku)
- Adapter tankog lista pile (2x)
- Imbus ključ 2,5 mm
- Imbus ključ 4 mm
- Adapter za odsisavanje prašine
- Originalne upute za rad

### 5. Namjenska uporaba

Pila za izrezivanje služi za rezanje četvrtastih oblika drveta ili drvu sličnih materijala kao npr. pleksistakla, plastike s pojačana staklenim nitima, spužve, gume, kože ili pluta. Nemojte koristiti pilu za rezanje okruglog materijala. Okrugli materijal može se lako preokrenuti.

**Opasnost od ozljeđivanja! Dijelovi mogu biti izbačeni!**

Uređaj se smije koristiti samo namjenski. Svaka drugačija uporaba nije namjenska. Za štete ili ozljede svih vrsta nastale zbog nenamjenskog korištenja odgovoran je korisnik/rukovatelj a nikako proizvođač.

Molimo da obratite pažnju na to da naši uređaji nisu pogodni za korištenje u komercijalne, obrtničke ili industrijske svrhe. Ne preuzimamo jamstvo ako se uređaj koristi u komercijalne i industrijske svrhe kao i u sličnim djelatnostima.

- Smiju se koristiti samo listovi pile koji su prikladni za ovaj stroj. Zabranjena je uporaba ploča za rezanje svih vrsta.
- Sastavni dio namjenske uporabe predstavlja pridržavanje sigurnosnih napomena kao i uputa za montažu i

**HR**

pogonske napomene u uputama za uporabu.

- Osobe koje rukuju strojem ili ga održavaju moraju se upoznati s prije navedenim i biti upućene u moguće opasnosti.
- Pritom se treba točno pridržavati važećih propisa o sprječavanju nesreća pri radu.
- Obratite pozornost na ostala opća pravila koja vrijede u medicini rada i sigurnosno-tehničkim područjima.
- Promjene na stroju isključuju jamstvo proizvođača i iz tog nastale štete.

#### Ostali rizici

**Čak ako propisno rukujete ovim uređajem, uvijek postoje neki rizici. Ovisno o konstrukciji i izvedbi ovog elektroalata mogu nastati sljedeće opasnosti:**

- Oštećenja pluća, ako se ne nosi prikladna maska za zaštitu od prašine.
- Oštećenje sluha, ako se ne nosi prikladna zaštita za uši.
- Opasnost od nesreće zbog kontakta ruke s nepokrivenim područjem rezanja alata.
- Opasnost od ozljeda kod zamjene alata (opasnost od porezotine).
- Prignječenje prstiju.
- Opasnost od povratnog udarca.
- Prevrtanje izradaka zbog nedostatne radne površine nalijeganja radnog komada.
- Dodirivanje alata za rezanje.
- Izbacivanje radnih komada i dijelova iverja.

## 6. Tehnički podaci

Mrežni napon:	230 V ~ 50 Hz
Snaga:	120 vata
Vrsta pogona:	S6 30%
Snaga:	80 vata
Vrsta pogona:	S2 20 min
Broj okretaja u praznom hodu $n_0$ :	400- 1600 min <sup>-1</sup>
Vrsta zaštite:	IP 20
Podizanje:	21 mm
Površina postavljanja:	410 x 245 mm
Zakretanje stola:	0° do 45° ulijevo
Dimenzije stola:	410 x 253 mm
Dužina lista pile:	134 mm
Polumjer rada:	406 mm
Maks. visina rezanja kod 90°:	57 mm
Maks. visina rezanja kod 45°:	32 mm
Težina:	oko 10,5 kg

#### Režim rada S6 30%:

Kontinuirani režim rada s povremenim prekidima (intervali od 10 min). Da se motor ne bi nedopušteno zagrijao, smije se pogoniti nazivnom snagom do 30 % trajanja intervala i na kraju mora nastaviti raditi preostalih 70 % intervala bez opterećenja.

#### Režim rada S2 20 min:

Dimenzionirano trajanje rada 20 min/Dimenzionirano trajanje mirovanja 20 min  
Trajanje uključivanja S2 20 min (kratkotrajni pogon) pokazuje da se motor smije trajno opteretiti nazivnom snagom od 80 vata samo tijekom vremena označenog na pločici s podacima (20 min). U suprotnom bi se nedopušteno zagrijao. Tijekom stanke motor se ponovno hladi na svoju početnu temperaturu.

## Vrijednosti emisije buke

### Buka i vibracije

Vrijednosti buke i vibracija određene su prema normi EN 61029.

### Nosite zaštitu za sluh.

Buka može utjecati na gubitak sluha.

	Pogon	Prazni hod
Razina zvučnog tlaka $L_{pA}$ :	82,6 dB	62,3 dB
Nesigurnost $K_{pA}$ :		3 dB
Intenzitet buke $L_{WA}$ :	95,6 dB	75,3 dB
Nesigurnost $K_{WA}$ :		3 dB

Navedene vrijednosti su vrijednosti emisije i ne moraju istovremeno predstavljati sigurne vrijednosti na dotičnom radnom mjestu. Iako postoji korelacija između razine emisije i imisije, ne može se pouzdano utvrditi jesu li potrebne dodatne mjere opreza ili ne. Faktori koji mogu utjecati na sadašnju razinu imisije na radnom mjestu obuhvaćaju trajanje utjecaja, svojstva radnog prostora, ostale izvora buke itd., npr. broj strojeva i drugih susjednih radnih procesa. Pouzdane vrijednosti na radnom mjestu mogu isto tako varirati od države do države. Ove informacije mogu korisniku pomoći da bolje procijeni opasnosti i rizike.

### Ograničite stvaranje buke i vibracije na minimum!

- Koristite samo besprijeorne uređaje.
- Redovito čistite i održavajte uređaj.
- Prilagodite uređaju vaš način rada.
- Ne preopterećujte uređaj.
- Po potrebi predajte uređaj na provjeru.
- Ako ne koristite uređaj, isključite ga.

## 7. Prije puštanja u rad

### Pozor!

**Prije nego što počinjete podešavati stroj, uvijek izvucite mrežni utikač.**

### 7.1 Općenito

- Prije puštanja u rad moraju se montirati svi poklopci i sigurnosne naprave.
- List pile mora se slobodno kretati.
- Drvo koje već obrađujete provjerite na eventualno zaostala strana tijela, kao npr. čavle ili vijke i sl.
- Prije nego aktivirate sklopku za uključivanje/isključivanje provjerite je li list pile pravilno montiran i kreću li se pokretni dijelovi lako.
- Prije uključivanja uređaja provjerite odgovaraju li podaci na tipskoj pločici podacima o mreži.
- Stroj priključite samo na utičnicu s propisno instaliranim zaštitnim kontaktom koja je osigurana s minimalno 10 A.

### 7.2 Montaža pile za izrezivanje na radni stol (sl. 3, 4)

Uređaj smije montirati samo ovlaštenu stručnjak!

Za montažu trebate (nije sadržano u isporuci):

- Šesterokutni vijak M8 (4x)
- Šesterokutnu maticu M8 (8x)
- Podložnu pločicu Ø 8 mm (4x)
- Ravnu brtvu Ø 8 mm (4x)
- Gumenu podlogu: 450x250x13 mm

Dužina korištenih vijaka varira prema debljini ploče stola.

- Montirajte pilu za izrezivanje na masivni radni stol od drveta. Na taj način može se izbjeći stvaranje buke zbog vibracija.
- Označite rupe za bušenje. Za to iskoristite pilu kao šablonu.
- Izbušite 4 rupe Ø 9 mm u radnom stolu i gumenoj podlozi.
- Pričvrstite vijcima pilu za radni stol na montažnim točkama (sl. 3/12, poz. 16) prema sljedećem redosljedu (sl. 4):

**HR**

- A) pila za izrezivanje
- B) gumena podloga
- C) radni stol
- D) ravna brtva
- E) podložna pločica
- F) šesterokutna matica
- G) šesterokutna matica
- H) šesterokutni vijak

- Najprije pritegnite šesterokutne matice (F) i zatim ih osigurajte drugom šesterokutnom maticom (G).

### 7.3 Montaža

Pozor! Prije svih radova održavanja i preinake na pili trebate izvući mrežni utikač.

#### 7.3.1 Montaža zaštite lista pile i naprave za odsisavanje piljevine (sl. 6/7/8)

- Stavite zaštitu lista pile (5) na držač (4).
- Provucite nazubljene vijke (3) kroz uzdužne rupe zaštite lista pile (5) i pritegnite ih.
- Pomoću nazubljenih vijaka zaštita lista pile može se fiksirati na različitim visinama.
- Montirajte napravu za odsisavanje (1) kao što je prikazano na slici 8.

#### 7.3.2 Zamjena lista pile (sl. 1/6/9/10/11/14)

#### Upozorenje

**Da bi se izbjegle povrede zbog slučajnog pokretanja: Prije uklanjanja ili zamjene lista pile uvijek postavite sklopku u položaj "0" i izvucite mrežni utikač iz utičnice.**

- Okrenite stezni vijak (9) ulijevo kako bi se otpustio list pile (17).
- Demontirajte lijevi pokrov (7). U tu svrhu otvorite poklopac spremišta (22) i uklonite vijke (C) (sl. 6). (Također je moguće da zamijenite list pile a da ne skidate lijevi pokrov, ali za to trebate malo vještine).
- Najprije izvadite list pile iz gornjeg držača (24), pritom pritisnite gornji oscilirajući krak prema dolje.
- Na kraju skinite list pile s donjeg držača (25).
- Izvucite list pile kroz umetak stola (26) prema gore.
- Umetnite novi list pile obrnutim

28

redosljedom.

**Pozor: Montirajte list pile uvijek tako da zupci pokazuju prema dolje u smjeru radnog stola.**

List pile možete umetnuti u prerez a (slike 9, 10) ili b (slike 9, 11):

#### Prorez a:

Za rezanje uzduž nosača.

#### Prorez b:

Za rezanje poprečno na nosač.

Pritežite list pile okretanjem steznog vijka (9) udesno. Čim se stezni vijak počinje malo teže okretati, morate ga okrenuti još dalje oko 3 puna okretaja; tako će on biti pravilno pritegnut.

Ponovno montirajte lijevi pokrov (7). (samo ako ste ga prethodno demontirali)

#### 7.3.3 Fino podešavanje kutne skale

Pozor: Prilikom isporuke kutna skala je već pravilno podešena.

Podesite stol pile pomoću kutnika od 90° kojeg pognete na stol i na list pile (sl.12). Otpustite vijak (28) i okrenite kazaljku (27) na oznaku 90°.

Za precizan rad obavite probno rezanje:

Testirajte podešeni kut tako da obavite probno rezanje i provjerite podešeni kut na radnom komadu pomoću kutomjera. Po potrebi korigirajte kazaljku (27).

## 8. Rukovanje

### 8.1 Napomena:

- Pila ne reže drvo samostalno. Korisnik omogućava rezanje vođenjem drva u pokretni list pile.
- Zupci režu drvo samo kod spuštanja.
- Drvo se mora polako voditi u list pile jer su zupci lista jako mali.
- Svaka osoba koja želi rukovati pilom treba neko vrijeme priučavanja. Tijekom tog vremena sigurno ćete nekoliko lista pile slomiti.
- Kod rezanja debljih drva naročito trebate

paziti da ne savinete ili zasućete list pile.

- Pažljivim načinom rada povećavate životni vijek lista pile.

### 8.2 Sklopka za uključivanje/isključivanje (sl. 2/poz. 14)

- Za uključivanje pritisnite tipku "I".
- Za isključivanje morate pritisnuti tipku "0".

**Pozor:** Stroj je opremljen sigurnosnom sklopkom protiv ponovnog uključivanja u slučaju nestanka napona.

Ako je pila uključena i prekine se dovod struje iz mreže, pila ostane isključena čak kad se ponovno uspostavi dovod struje. Za uključivanje ponovno pritisnite sklopku „I“.

### 8.3 Brojač podizanja

Pomoću brojača podizanja (15) možete podesiti broj podizanja prema materijalu koji režete. Za meki materijal preporučujemo veći broj podizanja, za tvrdi materijal manji. Okrenite regulator broja podizanja (15) udesno, povećat ćete broj podizanja.

### 8.4 Obavljanje unutrašnjih rezova

Svojstvo ove pile za izrezivanje je u mogućnosti provođenja unutrašnjih rezova u ploči a da se ne ošteti rub ploče.

Za provođenje unutrašnjih rezova u ploči:

- Uklonite list pile kao što je opisano u odlomku 7.3.2.
- Izbušite rupu u dotičnoj ploči.
- Polegnite ploču s rupom preko rupe na stolu pile.
- Provucite list pile kroz rupu u ploči i podesite napetost lista.
- Nakon završetka unutrašnjeg izrezivanja uklonite list pile s njegovih nosača (kao što je opisano u odlomku 7.3.2) i skinite ploču sa stola.

### 8.5 Obavljanje kosih rezova

Zakrenite stol tako da otpustite polugu za fiksiranje (12) i zakrenete stol pile u željeni položaj (sl. 13). Pritegnite polugu za fiksiranje.

#### **Pozor!**

Kod provođenja kosih rezova budite naročito oprezni. Zbog nagiba stola postoji opasnost od prevrtanja. **Opasnost od ozljeđivanja!**

### 8.6 Adapter za tanki list pile (sl. 5/14)

- Uklonite list pile kao što je opisano pod 7.3.2.
- Umetnite tanki list pile (17) u adapter. Za to koristite imbus ključ 2,5 mm. Pozor: Tanki list pile nije sadržan u isporuci.
- Najprije skinite umetak stola (26).
- Tada objesite oba adaptera (19) na dva držača lista pile (24/25).
- Umetnite list pile kao što je opisano pod točkom 7.3.2.

## 9. Zamjena mrežnog kabela

Ako se kabel za priključivanje ovog uređaja na mrežu ošteti, mora ga zamijeniti proizvođač ili njegova servisna služba ili slična kvalificirana osoba kako bi se izbjegle opasnosti.

## 10. Čišćenje, održavanje, skladištenje i narudžba rezervnih dijelova

### Pozor!

Prije svih radova čišćenja izvucite mrežni utikač.

### 10.1 Čišćenje

- Zaštitne naprave, prolaze za zrak i kućište motora treba uvijek očistiti od prašine i nečistoća.
- Preporučujemo da očistite uređaj odmah nakon svake uporabe.
- Otvorite lijevi pokrov (sl. 1/poz. 7), uklonite metlicom grubu nečistoću (piljevinu, prašinu).
- Istrljajte uređaj čistom krpom ili ga ispušite komprimiranim zrakom pod niskim tlakom.
- Redovito čistite uređaj mokrom krpom i s malo kalijevog sapuna. Ne koristite otapala ili sredstva za čišćenje; ona bi mogli oštetiti plastične dijelove uređaja. Pripazite na to da u unutrašnjost uređaja ne dospije voda.

### 10.2 Održavanje

U unutrašnjosti uređaja nema dijelova koje bi trebalo održavati.

#### 10.2.1 Ležajevi (sl. 1/poz. 8)

Podmažite ležajeve skretnih kotura kvalitetnom strojnom mašću, najkasnije nakon 25-30 radnih sati.

#### 10.2.2 Ugljene četkice

U slučaju prekomjernog iskrenja kontrolu ugljenih četkica prepustite električaru. Pozor! Ugljene četkice smije zamijeniti samo kvalificirani električar.

### 10.3 Skladištenje

Čuvajte uređaj i njegov pribor na tamnom i suhom mjestu bez mogućnosti smrzavanja kao i djeci nepristupačnom mjestu. Optimalna temperatura skladištenja mora biti između 5 i 30 °C. Čuvajte elektroalat u originalnoj pakovini.

### 10.4 Naručivanje rezervnih dijelova:

Kod naručivanja rezervnih dijelova morate navesti sljedeće podatke:

- Tip uređaja
- Kataloški broj uređaja
- Identifikacijski broj uređaja

Aktualne cijene nalaze se na web stranici [www.isc-gmbh.info](http://www.isc-gmbh.info)

## 11. Zbrinjavanje u otpad i recikliranje

Uređaj je zapakiran kako bi se tijekom transporta spriječila oštećenja. Ovo pakiranje je sirovina i može se ponovno upotrijebiti ili predati na reciklažu. Uređaj i njegov pribor sastavljeni su od raznih materijala, kao npr. metal i plastika. Neispravne sklopove odložite u specijalni otpad. Raspitajte se u specijaliziranoj trgovini ili općinskoj upravi!



Samo za zemlje članice EU

Elektroalate nemojte bacati u kućno smeće!

Prema europskoj odredbi 2002/96/EG o starim električnim i elektroničkim uređajima i njenim prijenosom u nacionalno pravo, istrošeni električni alati trebaju se posebno sakupljati i na ekološki način zbrinuti na mjestu za reciklažu.

Alternativa s recikliranjem nasuprot zahtjevu za povrat:

Vlasnik električnog uređaja alternativno je obavezan da umjesto povrata uređaja u slučaju odricanja vlasništva sudjeluje u stručnom zbrinjavanju uređaja. Stari uređaj može se u tu svrhu predati mjestu za preuzimanje takvih uređaja koje provodi uklanjanje u smislu državnih zakona o otpadu i recikliranju. To se ne odnosi na dijelove pribora i pomoćna sredstva bez električnih sastavnih dijelova koji su dodani starim uređajima.

## 12. Izjava o usklađenosti

Einhell Germany AG · Wiesenweg 22 · D-94405 Landau/Isar



## Konformitätserklärung

- erklärt folgende Konformität gemäß EU-Richtlinie und Normen für Artikel  
 explains the following conformity according to EU directives and norms for the following product  
 déclare la conformité suivante selon la directive CE et les normes concernant l'article  
 dichiara la seguente conformità secondo la direttiva UE e le norme per l'articolo  
 verklaart de volgende overeenstemming conform EU richtlijn en normen voor het product  
 declara la siguiente conformidad a tenor de la directiva y normas de la UE para el artículo  
 declara a seguinte conformidade, de acordo com a directiva CE e normas para o artigo  
 atterer følgende overensstemmelse i medfør af EU-direktiv samt standarder for artikel  
 förklarar följande överensstämmelse enl. EU-direktiv och standarder för artikeln  
 vakuuttaa, että tuote täyttää EU-direktiivin ja standardien vaatimukset  
 töendab toote vastavust EL direktiivile ja standarditele  
 vydává následující prohlášení o shodě podle směrnice EU a norem pro výrobek  
 potrjuje sledečo skladnost s smernico EU in standardi za izdelek  
 vydáva nasledujúce prehlásenie o zhode podľa smernice EÚ a noriem pre výrobok  
 a cikkekhez az EU-irányvonal és Normák szerint a következő konformitást jelenti ki  
 deklaruje zgodność wymienionego poniżej artykułu z następującymi normami na podstawie dyrektywy WE.  
 декларира съответното съответствие съгласно Директива на ЕС и норми за артикул  
 paskaidro šādu atbilstību ES direktīvai un standartiem  
 apibūdina šj atitikimą EU reikalavimams ir prekės normoms  
 declară următoarea conformitate conform directivei UE și normelor pentru articolul  
 δηλώνει την ακόλουθη συμμόρφωση σύμφωνα με την Οδηγία ΕΚ και τα πρότυπα για το προϊόν  
 potvrđuje sljedeću usklađenost prema smjernicama EU i normama za artikl  
 potvrđuje sljedeću usklađenost prema smjernicama EU i normama za artikl  
 potvrđuje sledeću usklađenost prema smernicama EZ i normama za artikal  
 следующим удостоверяется, что следующие продукты соответствуют директивам и нормам ЕС  
 проголошує про зазначену нижче відповідність виробу директивам та стандартам ЄС на виріб  
 ja izjavuva slednata soobraznost согласно EУ-директивата и нормите за артикли  
 Ürünü ile ilgili AB direktifleri ve normları gereğince aşağıda açıklanan uygunluğu belirtir  
 erklærer følgende samsvar i henhold til EU-direktivet og standarder for artikkel  
 Lýsir uppfyllingu EU-reglna og annarra staða vöru

## Dekupiersäge PDKS 120 A2 (Parkside)

- 87/404/EC\_2009/105/EC  
 2005/32/EC\_2009/125/EC  
 2006/95/EC  
 2006/28/EC  
 2004/108/EC  
 2004/22/EC  
 1999/5/EC  
 97/23/EC  
 90/396/EC\_2009/142/EC  
 89/686/EC\_96/58/EC  
 2006/42/EC  
 Annex IV  
 Notified Body:  
 Notified Body No.:  
 Reg. No.:  
 2000/14/EC\_2005/88/EC  
 Annex V  
 Annex VI  
 Noise: measured  $L_{WA}$  = dB (A); guaranteed  $L_{WA}$  = dB (A)  
 P = KW; L/Ø = cm  
 Notified Body:  
 2004/26/EC  
 Emission No.:

Standard references: EN 61029-1; EN 55014-1; EN 55014-2; EN 61000-3-2; EN 61000-3-3

Landau/Isar, den 30.03.2011

  
Weichselgartner/General Manager


  
Wentao/Product-Management

First CE: 11  
 Art.-No.: 43.090.28 I.-No.: 11011  
 Subject to change without notice

Archive-File/Record: NAPR003895  
 Documents registrar: Siegfried Roider  
 Wiesenweg 22, D-94405 Landau/Isar

# 13. JAMSTVENI LIST

## Poštovani kupče,

naši proizvodi podliježu strogoj kontroli kvalitete. Žao nam je ako bi ipak došlo do toga da uređaj ne funkcionira besprijekorno i zamolili bismo Vas da se u tom slučaju obratite na adresu naše servisne službe navedenu ispod ovog jamstva. Također smo Vam na raspolaganju na dolje navedenom telefonskom broju servisne službe. Za traženje jamstvenog zahtjeva vrijedi sljedeće:

1. Ovi jamstveni uvjeti reguliraju dodatne jamstvene usluge. Ovo jamstvo ne zadire u Vaše zakonsko pravo zahtjeva za ostvarenje jamstvenih usluga. Realizacija jamstvenih usluga je besplatna.
2. Jamstvena usluga obuhvaća isključivo nedostatke nastale zbog greške na materijalu ili tijekom proizvodnje i ograničen je na uklanjanje tih nedostataka odnosno zamjenu uređaja. Molimo da obratite pažnju na to da naši uređaji nisu konstruirani za korištenje u komercijalne svrhe niti u obrtu i industriji. Prema tome, ugovor o jamstvu ne može se ostvariti ako se uređaj koristi u obrtničkim ili industrijskim pogonima kao i u sličnim djelatnostima. Nadalje su iz jamstva isključene usluge zamjene proizvoda u slučaju transportnih oštećenja, šteta zbog nepridržavanja uputa za montažu ili zbog nestručne instalacije, nepridržavanja uputa za uporabu (kao npr. zbog priključka na pogrešni mrežni napon ili vrstu struje), zbog zlorabe ili nestručnih primjena (kao npr. preopterećenje uređaja ili korištenje nedopuštenih alata ili pribora), u slučaju nepridržavanja uputa za održavanje i sigurnosnih odredbi, zbog prodiranja stranih tijela u uređaj (npr. pijeska, kamenja ili prašine), nasilne primjene ili vanjskih utjecaja (kao npr. oštećenja zbog pada) kao i zbog uobičajenog trošenja tijekom korištenja. To naročito vrijedi za baterije za koje ipak dajemo jamstvo od 12 mjeseci.

Zahtjev za jamstvo prestaje biti valjan ako su na uređaju već izvršeni neki zahvati.

3. Jamstveni rok iznosi 3 godine a započinje s datumom kupnje uređaja. Jamstveni zahtjevi ostvaruju se prije isteka jamstvenog roka unutar dvije godine nakon što ste uočili kvar. Ostvarenje jamstvenog zahtjeva nakon isteka jamstvenog roka je isključeno. Popravkom ili zamjenom uređaja ne produljuje se jamstveni rok niti se tom uslugom ostvaruju novi jamstveni rok za uređaj ili ostale ugrađene rezervne dijelove. To također vrijedi i kod korištenja servisa na licu mjesta.
4. Da biste ostvarili svoj jamstveni zahtjev, molimo Vas da nam pošaljete neispravan uređaj bez plaćanja poštarine na dolje navedenu adresu. Priložite originalni račun za kupnju uređaja ili neki drugi dokaz o kupnji s datumom. Molimo Vas da zbog tog razloga dobro sačuvate račun kao dokaz! Što točnije opišite razlog reklamacije. Ako naša jamstvena usluga obuhvaća kvar nastao na Vašem uređaju, odmah ćemo Vam vratiti popravljenu ili novi uređaj.

Razumljivo je da ćemo za naknadu troškova ukloniti i kvarove koje jamstvena usluga ne obuhvaća. U tom slučaju pošaljite uređaj na adresu našeg servisa.

**Einhell Croatia d.o.o.**

Velika Ves 2

HR-49224 Lepajci

Tel. 049 342 444 · Fax 049 342 392



<b>Съдържание</b>	<b>страница</b>
1. Въведение .....	35
2. Указания за безопасност .....	35-38
3. Описание на уреда .....	38-39
4. Обем на доставка .....	39
5. Употреба по предназначение .....	39-40
6. Технически данни .....	40-41
7. Преди пускане в експлоатация .....	41-43
8. Обслужване .....	43-44
9. Смяна на мрежов съединителен проводник .....	44
10. Почистване, поддръжка, складиране и доставка на резервни части.....	44-45
11. Екологосъобразно отстраняване и повторно използване .....	45
12. Декларация за съответствие.....	46
13. Гаранционен документ .....	47

Препечатването или друг вид  
размножаване на документация и  
съпроводителни документи на продуктите,  
също така на части е допустимо само с  
изричното съгласие на ISC GmbH.

Запазено е правото за технически промени

BG

## Допълнителни указания за безопасност



“ПРЕДУПРЕЖДЕНИЕ - С цел намаляване на риска от наранявания прочетете упътването за употреба”



### Носете защита за слуха.

Въздействието на шума може да причини загуба на слуха.



### Носете противопрахова маска.

При обработването на дърво и други материали може да се появи вреден за здравето прах. Съдържащ азбест материал не трябва да се обработва!



### Носете предпазни очила.

Възникващи по времето на работата искри или излизаци от уреда трески, стърготини или прах могат да причинят загуба на видимост.



### Внимание! Опасност от нараняване!

Не посягайте към работещия трион!

## 1. Въведение

### ⚠ Внимание!

При използването на уредите трябва се спазват някои предпазни мерки, свързани с безопасността, за да се предотвратят наранявания и щети. За целта внимателно прочетете това упътване за употреба/указания за безопасност. Пазете го добре, за да разполагате с информацията по всяко време. В случай, че трябва да предадете уреда на други лица, моля, предайте им и това упътване за употреба/указания за безопасност. Ние не поемаме отговорност за злополуки или щети, които възникват вследствие на несъблюдаването на това упътване и на указанията за безопасност.

## 2. Указания за безопасност

### ⚠ ПРЕДУПРЕЖДЕНИЕ

**Прочетете всички указания за безопасност и инструкции.** Пропуските при спазването на указанията за безопасност и инструкциите могат да предизвикат токов удар, пожар и/или тежки наранявания.

**Съхранявайте всички указания за безопасност и инструкции за в бъдеще.**

### 2.1 Общи указания за безопасност за електроуреди

**Внимание! При употребата на електроинструменти е необходимо да се съблюдават следните мерки по техника на безопасност за защита срещу токов удар, опасност от нараняване и пожар. Прочетете и спазвайте тези указания, преди да използвате уреда.**

#### 1. Пазете Вашата работна зона чиста и добре осветена

Безпорядъкът в работната зона води до опасност от злополуки.

#### 2. Вземете под внимание околните влияния

Не излагайте електроинструментите на дъжд. Не използвайте електроинструменти във влажна или мокра среда. Погрижете се за доброто осветление. Не използвайте електроинструменти в близост до запалими течности или газове.

#### 3. Пазете се от токов удар

Избягвайте съприкосновение на тялото с заземени части, например тръби, отоплителни тела, печки, хладилници.

#### 4. Дръжте децата далеч!

Не позволявайте на други лица да докосват инструмента или кабела, дръжте ги далеч от Вашата работна зона.

#### 5. Съхранявайте на сигурно място Вашите инструменти

Неползвани инструменти трябва да се съхраняват в сухо, затворено помещение и да са недостъпни за деца.

#### 6. Не претоварвайте Вашите инструменти

Вие работите по-добре и по-стабилно в посочения диапазон мощности.

#### 7. Използвайте правилния инструмент

Не използвайте твърде слаби инструменти или допълнителни уреди за тежки работи.

Не използвайте инструменти за цели и работи, за които не са предназначени; например не използвайте ръчна дискова резачка, за да сечете дърва или да режете клони.

#### 8. Носете подходящо работно облекло

Не носете широки дрехи или бижута. Можете да бъдете захванати от подвижни части. При работи на открито препоръчителни са гумени ръкавици и устойчиви на подхлъзване обувки. При дълги коси носете мрежичка за коса.

#### 9. Използвайте защитна екипировка

Носете предпазни очила. Използвайте противопрахова маска при работи, възпроизвеждащи прах.

#### 10. Не използвайте кабела не по предназначение

Не носете инструмента за кабела и не го

използвайте, за да издърпате щепсела от контакта. Пазете кабела от горещина, масло и остри ръбове.

#### 11. **Обезопасете заготовката**

Използвайте затегателни приспособления или менгеме, за да притиснете здраво заготовката. По този начин това се счита за по-безопасно отколкото придържането с ръката Ви и улеснява обслужването на машината с двете ръце.

#### 12. **Не разширявайте зоната си на стоеж**

Избягвайте неестественото положение на тялото. Погрижете се за стабилния стоеж и пазете по всяко време равновесие.

#### 13. **Поддържайте грижливо инструментите си**

Пазете Вашите инструменти остри и чисти, за да работите добре и сигурно. Спазвайте предписанията за поддръжка и указанията за смяна на инструмента. Редовно проверявайте щепсела и кабела и го носете при повреда за подмяна от признат специалист. Редовно проверявайте удължителните кабели и подменяйте повредените. Пазете дръжките сухи и свободни от масло и грес.

#### 14. **Издърпвайте мрежовия щепсел**

При неизползване, преди поддръжка и при смяна на инструмента като например режеща лента, бургия и машинни инструменти от всякакъв вид.

#### 15. **Не поставяйте ключове за инструменти**

Преди включването проверете, дали ключовете и инструментите за настройка са отдалечени.

#### 16. **Избягвайте непреднамерено задвижване**

Не носете свързани за електрическата мрежа инструменти с пръст, поставен на превключвателя. Уверете се, че превключвателят е изключен при свързването в електрическата мрежа.

#### 17. **Удължителен кабел на открито**

На открито използвайте само разрешени за целта и съответно обозначени удължителни кабели.

#### 18. **Бъдете винаги внимателни**

Наблюдавайте работата си. Подхождайте разумно. Не използвайте инструмента, когато не сте концентрирани.

#### 19. **Проверявайте Вашия уред за повреди**

Преди по-нататъшното използване на инструмента грижливо проверете защитните приспособления или леко повредените части за тяхното безупречно и съобразно предназначението функциониране. Проверете, дали функционирането на подвижни части е в изправност, дали не се заклещват или дали отделни части не са повредени. Всички части следва да се монтират правилно, за да се гарантира безопасността на уреда. Повредени защитни приспособления или части е необходимо да се ремонтират или подменят компетентно от сервизна служба за извършване на клиентски услуги, доколкото нищо друго не е посочено в работните инструкции. Повредени превключватели следва да се подменят в сервиз за обслужване на клиенти. Не използвайте инструменти, при които превключвателят не се вкл- и изключва.

#### 20. **Внимание!**

За Вашата собствена безопасност използвайте само оборудване и допълнителни уреди, които са посочени в работната инструкция или са препоръчани или посочени от производителя на инструмента. Използването на други, различни от препоръчаните в работната инструкция или в каталога инструменти за употреба или комплектуващи части може да означава за Вас лична опасност от нараняване.

#### 21. **Ремонти само от електроспециалист**

Този електроинструмент отговаря на съответните разпоредби по техника на безопасност. Ремонти трябва да се извършват само от електроспециалист, в противен случай могат да възникнат злополуки за оператора.

## 22. Свържете устройството за всмукване на прах.

Когато са налични приспособления за свързването на прахосмукателни устройства, се убедете, че същите са свързани и се използват.

### Специални указания по техника на безопасност

- При спешен случай директно изключете машината и издърпайте мрежовия щепсел.
- Спазвайте всички тези указания преди и по време на работа с триона.
- Не използвайте триона за рязане на дърва за горене.
- Не спирайте напречното рязане на объл дървен материал без подходящо задържащо устройство.
- Машината е оборудвана с защитен превключвател срещу повторно включване след спадане на напрежението.
- Ако е необходим удължителен кабел, то се уверете, че неговото напречно сечение е достатъчно за потреблението на ток на триона. Минимален напречен разрез 1 мм<sup>2</sup>.
- Използвайте кабелни барабани само в развито положение.
- Работещи на машината лица не трябва да се разсейват.
- Режещите ленти в никакъв случай не трябва да се спират след изключването на задвижващия механизъм посредством странично насрещно натискане.
- Монтирайте само добре наострени, устойчиви на скъсване и недеформирани режещи ленти.
- Дефектни режещи ленти следва незабавно да се подменят.
- Не използвайте режещи ленти, които не отговарят на посочените в тази работна инструкция основни технически параметри.
- Необходимо е да се гарантира, че всички устройства, които покриват режещата лента, работят безупречно.
- Защитни устройства по машината не трябва да се демонтират или стават негодни.
- Повредени или дефектни защитни устройства следва да се подменят незабавно.
- Не режете заготовки, които са твърде малки, за да ги държите стабилно в ръка.
- Не натоварвайте машината, докато не спре.
- Винаги притискайте заготовката здраво срещу работната плоча.
- Никога не отстранявайте откъснати трески, стружки или заклещени части от дърво при работеща режеща лента.
- С цел отстраняването на смущения по блокирания инструмент за употреба изключвайте машината. –Издърпвайте мрежовия щепсел- Отстранете блокадата. „Внимание! Опасност от нараняване от режеща лента! Носете предпазни ръкавици! Извършете пробен ход без заготовка. Обърнете внимание на това да не настъпят никакви необичайни шумове или трептения. Ако това е случаят, изключете уреда и се обърнете към производителя.
- Преоборудвания, както и регулировъчни, измервателни и почистващи работи да се извършват само при спрян двигател. – Издърпайте мрежовия щепсел –
- Преди включването проверете, дали ключовете и инструментите за настройка са отдалечени.
- При напускането на работното място изключете двигателя и издърпайте мрежовия щепсел.
- Електроинсталации, ремонти и поддръжни работи трябва да се извършват само от специалисти.
- Всички защитни и предпазни устройства след приключен ремонт или поддръжка следва незабавно да се монтират отново.
- Указанията по техника на безопасност, указанията за работа и поддръжка на производителя, както и посочените в техническите данни размери е необходимо да се спазват.

**BG**

- Съответните разпоредби за предпазване от злополуки и другите, общопризнати правила по техника на безопасност трябва да се съблюдават.
- Съблюдавайте книжките с записки на професионалното сдружение (Предписания на професионалните сдружения (VBG 7)).
- Трионът е предвиден само за монтаж във вътрешни помещения.
- Заготовки, които са по-малки от защитата на режещата лента, могат да доведат до наранявания на ръцете и пръстите. Използвайте подходящи помощни средства!
- Избягвайте свити позиции на ръцете при управляването на заготовката и позиции, при които едно подхлъзване би могло директно да отведе ръката в режещата лента.
- Винаги така поставяйте режещата лента, че зъбците да сочат надолу към масата на триона.
- Настройте винаги правилното напрежение на лентата, за да избегнете откъсване на режещите ленти.
- Пристъпвайте особено предпазливо при рязането на материал с неравномерни профили на рязане.
- Проявявайте особена предпазливост при рязането на кръгли тела като прътове или тръби. Те могат да се размотаят пред режещата лента и да доведат до закачането на зъбците. Подпирайте такъв вид заготовки с клин.
- При издърпването на заготовката зъбците могат да се закачат във фугата на рязане, особено когато стружките от рязането блокират фугата. В този случай би трябвало да изключите триона, да издърпате мрежовия щепсел, да отворите с клин фугата на рязане и да издърпате заготовката.
- Никога не напускайте работното място, без преди това да сте изключили триона. Изчакайте, докато трионът спре.
- Не монтирайте, не залепяйте или не сглобявайте части на работната маса, докато трионът работи.
- Включвайте триона едва след

разчистването на работната маса от остатъци от материал и инструменти. Оставете само заготовката, която следва да се обработи и евентуални помощни средства за работа (клинове) върху работната маса.

- Винаги носете предпазни очила.
- Дръжте пръстите на безопасно разстояние от режещата лента.
- Управлявайте заготовката стабилно и здраво и в нито един момент не я оставяйте разхлабена.
- Никога не напускайте работното място, без преди това да сте изключили триона.
- Не се изкушавайте поради доверчивост от Ваша страна да проявите непредпазливост при работа с триона. Посредством непредпазливост може да се стигне в рамките на няколко частици от секундата до тежки наранявания.

**Пазете добре указанията за безопасност.**

### 3. Описание на уреда (изобр. 1 - 15)

1. Устройство за продухване
2. Затягащо устройство
3. Винт с назъбена глава
4. Държач
5. Защита за режеща лента
6. Маса на триона
7. Покритие вляво
8. Лагерни опори
9. Затягащ болт
10. Конзола
11. Градусна скала
12. Фиксиращ лост
13. Прахозасмукващ извод
14. Превключвател за вкл/изключване
15. Регулатор за честотата на ходовете
16. Точки на монтаж
- 17a. 5x режеща лента 15 зъбци/25 мм (широчина на рязане ок. 0,7 мм)
- 17b. 5x режеща лента 18 зъбци/25 мм (широчина на рязане ок. 0,4 мм)
18. Прахозасмукващ адаптер

19. Адаптер за режещи ленти за шума
20. Ключ с вътрешен шестостен 2,5 мм
21. Ключ с вътрешен шестостен 4 мм
22. Кутия за съхранение за режещи ленти
23. Подложни шайби
24. Държач на режеща лента горе
25. Държач на режеща лента долу
26. Подложка за маса
27. Показател
28. Винт

## 4. Обем на доставка

- Отворете опаковката и извадете внимателно уреда от опаковката.
- Отстранете опаковъчния материал, както и опаковъчните и транспортни предпазващи елементи (в случай, че е налице).
- Проверете, дали обемът на доставка е пълен.
- Проверете уреда и комплектуващите части за щети вследствие на транспортирането.
- Пазете опаковката по възможност до изтичането на гаранционния срок.

### ВНИМАНИЕ

**Уредът и опаковъчният материал не са детска играчка! Децата не трябва да играят с пластмасови торбички, фолиа и малки части! Съществува опасност от поглъщане и задушаване!**

- Контурен трион
- Защита за режеща лента
- Винт с назъбена глава (2x)
- Приложна шайба Ø 6 мм (2x)
- Устройство за продухване
- Резервна режеща лента (10x) (за дърво и пластмаси)
- Адаптер режеща лента за шума (2x)
- Ключ с вътрешен шестостен 2,5 мм
- Ключ с вътрешен шестостен 4 мм
- Всмукателен адаптер
- Оригинална работна инструкция

## 5. Употреба по предназначение

Контурният трион служи за рязането на дърва с ръбове или подобни на дърво заготовки като напр. плексиглас, подсилена със стъклено влакно пластмаса, дунапрен, гума, кожа и корк.

Не използвайте триона за рязането на кръгъл материал. Облят материал може лесно да се изкриви и изметне. **Опасност от нараняване! Части могат да изхвъркнат навън!**

Уредът трябва да се използва само по неговото предназначение. Всяка друга употреба, различна от тази, не е според предназначението. За възникващи от това щети или наранявания от всякакъв вид отговаря потребителят/обслужващото лице, а не производителят.

Моля, имайте предвид, че нашите уреди според предназначението си не са конструирани за промишлена, занаятчийска или индустриална употреба. Ние не поемаме никаква гаранция, ако уредът се използва в промишлени, занаятчийски или индустриални предприятия, както и при подобни на тях дейности.

- Трябва да се използват само подходящи за машината режещи ленти.
- Съставна част от употребата по предназначение е също така съблюдаването на указанията по техника на безопасност, както и на упътването за монтаж и на указанията за експлоатация в работната инструкция.
- Лица, които обслужват и поддържат машината, трябва да са запознати с нея и да са осведомени за възможните опасности.
- Освен това най-точно е необходимо да се спазват валидните инструкции за безопасност.
- Други общи предписания в сферата на трудовата медицина и техника на

**BG**

безопасността следва да се съблюдават.

- Промени по машината напълно изключват отговорност на производителя и произтичащи от това щети.

#### Остатъчни рискове!

**Дори когато използвате този електроинструмент съобразно предписанията, винаги остават остатъчни рискове. Следните рискове могат да настъпят във връзка с конструкцията и изпълнението на този електроинструмент:**

- Увреждания на белите дробове в случай, че не се носи подходяща противопрахова маска.
- Щети за слуха в случай, че не се носи подходяща защита за слуха.
- Опасност от злополука поради контакт с ръцете в непокритата област на рязане на инструмента.
- Опасност от нараняване при смяна на инструментите (Опасност от порязване).
- Притискане на пръстите.
- Опасност от обратен удар.
- Падане на обработваемия детайл поради недостатъчна опорна повърхност.
- Докосване на режещия инструмент.
- Отхвъркване на части от клони и части от заготовки.

## 6. Технически данни

Напрежение на мрежата:	230 V ~ 50Hz
Консумирана мощност:	120 Watt
Режим на работа:	S6 30 %
Консумирана мощност:	80 Watt
Режим на работа:	S2 20 мин
Обороти на празен ход $n_0$ :	400-1600 мин <sup>-1</sup>
Вид защита:	IP 20
Повдигане:	21 мм
Опорна повърхнина:	410 x 245 мм
Маса въртяща:	0° до 45° наляво
Големина на масата:	410 x 253 мм
Дължина на режещата лента:	134 мм
Обхват:	406 мм
Височина на рязане макс. при 90°:	57 мм
Височина на рязане макс. при 45°:	32 мм
Тегло:	ок. 10,5 кг

#### Режим на работа S6 30 %:

Непрекъснат режим с натоварване при повторно-кратковременен режим (продължителност на цикъла 10 мин). За да не се нагрее недопустимо двигателят, то същият трябва да се задвижи с 30 % от продължителността на цикъла с посочената номинална мощност и след това трябва да продължи да работи с 70 % от продължителността на цикъла без товар.

#### Режим на работа S2 20 мин:

Измерена продължителност на работа 20 мин/Измерена продължителност на пауза 20 мин  
Продължителността на включване S2 20 мин (кратковременен режим) показва, че двигателят може да бъде продължително натоварван с номинално напрежение 80 Watt само за посоченото на табелката с данни време (20 мин). В противен случай той би се нагрел недопустимо. По време на паузата двигателят отново се охлажда до неговата изходна температура.



## Стойности на емисия на шум

### Шум и вибрация

Стойностите на шум и вибрация са определени съгласно EN 61029.

### Носете защита за слуха.

Въздействието на шума може да причини загуба на слуха.

	Режим	Празен ход
Ниво на звуково налягане $L_{pA}$ :		
	82,6 dB	62,3 децибела
Несигурност $K_{pA}$ :		
		3 децибела
Ниво на звукова мощност $L_{WA}$ :		
	95,6 dB	75,3 децибела
Несигурност $K_{WA}$ :		
		3 децибела

Посочените стойности са стойности на емисия и с това не трябва същевременно да представляват и безопасни стойности на работното място. Въпреки, че има корелация между нивата на емисия и имисия, от това не може да се установи със сигурност, дали са необходими допълнителни предпазни мерки или не. Факторите, които могат да повлияят на настоящото налично на работното място ниво на имисия, съдържат продължителността на въздействията, особеностите на работното помещение, други източници на шум и т.н., напр. броя на машините и други съседни процеси. Надеждните стойности на работното място могат също така да варират в различните страни. Тази информация трябва обаче да даде възможност на потребителя, да направи по-добра преценка на опасностите и риска.

## Ограничете образуването на шум и вибрация до минимум!

- Използвайте само безупречно функциониращи уреди.
- Редовно поддържайте и почиствайте уреда.
- Нагодете начина си на работа спрямо уреда.
- Не претоварвайте уреда.
- При нужда проверявайте уреда.
- Изключвайте уреда, когато не се използва.

## 7. Преди пускане в експлоатация

### Внимание!

**Винаги издърпвайте мрежовия щепсел, преди да предприемете настройки по уреда.**

### 7.1 Общо

- Преди пускане в експлоатация всички капази и защитни приспособления трябва да бъдат правилно монтирани.
- Режещата лента трябва да може да се движи свободно.
- При вече обработвано дърво внимавайте за чужди тела, като напр. гвоздеи или болтове и др.
- Преди да задействате превключвателя за включване/изключване, се уверете, че режещата лента е правилно монтирана и че подвижните части имат лесен ход.
- Преди включване на машината се уверете, че данните върху фабричната табелка съвпадат с мрежовите данни.
- Свързвайте машината само за инсталиран съобразно изискванията защитен контакт, който е обезопасен с минимум 10A.

**BG**

## 7.2 Монтиране на триона върху работна маса (изобр. 3, 4)

Уредът може да се монтира само от компетентен специалист!

За монтажа се нуждаете от (не се съдържат в обема на доставка):

- Болт със шестоъгълна глава M8 (4x)
- Шестоъгълна гайка M8 (8x)
- Подложна шайба Ø 8 мм (4x)
- Плоско уплътнение Ø 8 мм (4x)
- Гумена подложка: 450x250x13 мм

Дължината на използваните винтове варира според дебелината на плочата на масата.

- Монтирайте контурния трион върху масивна работна маса от дърво. По този начин може да се избегне силното образуване на шум посредством вибрации.
- Маркирайте свредловъчните отвори. Използвайте за целта контурния трион като шаблон.
- Пробийте 4 дупки Ø 9мм в работната маса и гумената подложка.
- Скрепете контурния трион с работната маса през точките за монтаж (изобр. 3/12 /поз. 16) в следната последователност (изобр. 4):

- A) Контурен трион
- B) Гумена подложка
- C) Работна маса
- D) Плоско уплътнение
- E) Подложна шайба
- F) Шестоъгълна гайка
- G) Шестоъгълна гайка
- H) Болт със шестоъгълна глава

- Затегнете най-напред шестоъгълната гайка (F) и я обезопасете след това посредством втора шестоъгълна гайка (G).

## 7.3 Монтаж

Внимание! Преди всички работи, свързани с поддръжката и преоборудването по контурния трион трябва да се издърпва мрежовият щепсел.

### 7.3.1 Монтаж на защитата на режещата лента и на устройството за продухване на стърготините (изобр. 6/7/8)

- Прибутайте защитата на режещата лента (5) върху държача (4).
- Поставете винтовете с назъбена глава (3) посредством удължените отвори на защитата на режещата лента (5) и завинтете здраво.
- С винтовете с назъбена глава защитата на режещата лента може да се фиксира на различни височини.
- Монтирайте устройството за продухване (1), както е представено на изображение 8.

### 7.3.2 Смяна на режещата лента (изобр. 1/6/9/10/11/14)

#### Предупреждение

**За да избегнете наранявания посредством стартиране по невнимание: Преди отстраняването или смяната на режещата лента винаги поставяйте превключвателя на позиция "0" и издърпвайте мрежовия щепсел от контакта.**

- Завъртете затегателния болт (9) наляво, за да освободите режещата лента (17).
- Отвийте лявото покритие (7). За целта отворете капака на кутията за съхранение (22) и извадете винтовете (C) (изобр. 6). (Също така е възможно да смените режещата лента, без да изваждате лявото покритие, при всички случаи това изисква умение).
- Най-напред извадете режещата лента от горния държач на режещата лента (24), при това натиснете надолу горното подвижно рамо.
- След това извадете режещата лента от долния държач на лентата (25).

- Извадете нагоре режещата лента през подложката на масата (26).
- Поставете нова режеща лента в обратна последователност.

**Внимание: Винаги така поставяйте режещата лента, че зъбците да показват надолу в посока на масата на триона.**

Режещата лента може да се използва в шлиц а (фигура 9,10) или b (фигура 9,11):

**Шлиц а:**

за отрези надлъжно на конзолата

**Шлиц б:**

за отрези напречно на конзолата.

Затегнете режещата лента посредством завъртане на затегателния болт (9) надясно. Щом като затегателният болт се е завъртял малко по-трудно, то той трябва да се завърти още ок. 3 цели завъртания, за да се затегне правилно.

- Отново монтирайте лявото покритие (7). (Само в случай, че е демонтирано)

### 7.3.3 Фина настройка на градусна скала

**Внимание:** При състоянието на доставка градусната скала е вече правилно настроена. Настройте масата на триона с помощта на 90°-ъгъл, който поставите на масата на триона и на режещата лента (изобр.12). Освободете болта (28) и завъртете стрелката-показател (27) на маркировката от 90°.

За прецизна работа направете проба на рязане с триона:  
Тествайте настроените ъгли, като направите пробен разрез и проверите настроените брой степени/градуси на заготовката с ъгломер. При необходимост допълнително настройте стрелката-показател (27).

## 8. Обслужване

### 8.1 Забележка:

- Трионът не реже дървото самостоятелно. Ползвателят улеснява рязането чрез подаване на дървения материал към движещата се режеща лента.
- Зъбците режат дървото само при ход надолу.
- Дървото трябва да се подведе бавно към режещата лента, тъй като зъбците на режещата лента са твърде малки.
- Всяко лице, което иска да работи с триона, се нуждае от известно време, за да се научи. През това време вероятно ще се счупят няколко режещи ленти.
- При рязане на по-дебел дървен материал особено трябва да се има предвид, че режещата лента не бива да се огъва или завърта.
- Посредством внимателен начин на работа се увеличава продължителността на работа на режещата лента.

### 8.2 Превключвател за включване/ изключване (изобр. 2/поз. 14)

- За включване трябва да се натисне "I" бутона.
- За включване трябва да се натисне "0" бутона.

**Внимание:** Машината е оборудвана със защитен превключвател срещу повторно включване след спад на напрежението.

Ако контурният трион е включен и се прекъсне токозахранването в мрежата, то контурният трион остава изключен, дори когато токозахранването отново се възпроизведе. За включването задействайте отново превключвателя „I“.

### 8.3 Регулатор за честотата на ходовете

С регулатора за честотата на ходовете (15) можете да настроите броя на ходовете в съответствие с материала, който трябва да режете. За мек материал Ви препоръчваме високи обороти, за твърд материал ниски обороти. Завъртете регулатора за честотата на ходовете (15) надясно, увеличете оборотите.

### 8.4 Извършване на вътрешни отрези

Едно от качествата на този контурен трион е възможността за извършване на вътрешни отрези в плоча, без да се повреди външната страна или периферията на плочата.

За извършването на вътрешни отрези в плоча:

- Отстранете режещата лента, както е описано в раздел 7.3.2.
- Пробийте дупка в съответната плоча.
- Поставете плочата с дупката над входната дупка върху масата на триона.
- Инсталирайте режещата лента през дупката и регулирайте затягането на режещата лента.
- След завършване на вътрешните отрези отстранете режещата лента от държачите на лентата (както е описано в раздел 7.3.2) и снемете плочата от масата.

### 8.5 Извършване на наклонени срезове

Завъртете масата, като освободите фиксиращия лост (12) и наклоните масата на триона в желаното положение (изобр. 13). Затегнете фиксиращия лост.

#### Внимание!

Бъдете особено предпазливи при извършването на наклонени срезове. Посредством наклона на режещата лента се създава предпоставка за подхлъзване. **Опасност от нараняване!**

### 8.6 Адаптер за резбарски режещи ленти (изобр. 5/14)

- Отстранете режещата лента, както е описано под точка 7.3.2.
- Сега поставете резбарската режеща лента (17) в адаптера. За целта използвайте ключ с вътрешен шестостен 2,5 мм. Внимание: Резбарската режеща лента не се съдържа в обема на доставка.
- Първо свалете подложката на масата (26).
- След това окачете двата адаптера (19) на двата държача на режещата лента (24/25).
- Поставете режещата лента, както е описано под точка 7.3.2.

## 9. Смяна на мрежов съединителен проводник

Ако мрежовият съединителен проводник на този уред се повреди, то той следва да се подмени от производителя или от неговата служба за клиентско обслужване или от подобно квалифицирано лице, за да се избегне излагането на опасност.

## 10. Почистване, поддръжка, складиране и поръчка на резервни части

#### Внимание!

Прди всички работи по почистването издърпвайте мрежовия щепсел.

#### 10.1 Почистване

- Поддържайте защитните приспособления, въздушните отвори и корпуса на двигателя колкото е възможно по-чисти и без прах.
- Препоръчваме да почиствате уреда директно след всяко използване.
- Отворете покритието вляво (изобр. 1/поз.7), отстранете грубите замърсявания (стружки от рязането,

- прах) с ръчна метла.
- Изтъркайте уреда с чиста кърпа или го продухайте със сгъстен въздух при ниско налягане.
  - Почиствайте уреда редовно с влажна кърпа и малко течен сапун. Не използвайте почистващи препарати или разтворители; те биха могли да причинят разяждане на пластмасовите части на уреда. Внимавайте за това, никаква вода да не проникне във вътрешността на уреда.

### 10.2 Поддръжка

Във вътрешността на уреда не се намират други части, изискващи поддръжка.

#### 10.2.1 Склад (изобр. 1/поз. 8)

Смазвайте лагерните опори на направляващите ролки периодично с висококачествена машинна грес, но най-късно след около 25-30 работни часа.

#### 10.2.2 Въгленови четки

При прекомерно образуване на искри носете въгленовите четки за проверка от електроспециалист. Внимание! Въгленовите четки трябва да се сменят само от електроспециалист.

### 10.3 Съхранение

Съхранявайте уреда и неговото оборудване на тъмно, сухо и мразоустойчиво, както и на недостъпно за деца място. Оптималната температура на съхранение е между 5 и 30 °C. Съхранявайте електроинструмента в оригиналната опаковка.

#### 10.4 Поръчка на резервни части:

При поръчката на резервни части трябва да се посочат следните данни;

- Вид на уреда
  - Артикулен номер на уреда
  - Идентификационен номер на уреда
- Актуални цени и информация ще намерите на [www.isc-gmbh.info](http://www.isc-gmbh.info)

## 11. Екологосъобразно отстраняване и повторно използване

Уредът се намира в опаковка, за да се предотвратят щети при транспортирането. Тази опаковка представлява суровина и затова може да се използва повторно или да се върне към цикъла за повторна преработка на суровините. Уредът и неговите части са съставени от различни материали, като например метал и пластмаси. Изхвърлете дефектните монтажни части за екологосъобразно отстраняване на отровни отпадъци. Осведомете се в специализиран магазин или в общинската администрация!



Само за страни от ЕС

Не изхвърляйте електроинструментите при битовите отпадъци!

Съгласно Европейската директива 2002/96/ЕО за електрически и електронни стари уреди и прилагането в националното право употребените електроинструменти трябва да се събират отделно и да се доставят за екологична повторна употреба.

Алтернатива за рециклиране по отношение на призива за връщане: Собственикът на електроуредата вместо връщане алтернативно с цел съдействие е задължен по отношение на целесъобразното оползотворяване в случай на отказ от собственост. Старият уред за целта също така може да се предостави в пункт за обратно вземане, където се извършва отстраняване по смисъла на националните закони за събирането, извозването, складирането и рециклирането на отпадъци. Това не засяга приложените към старите уреди отделни части от принадлежностите и помощни средства без електрически компоненти.

**BG****12. Декларация за съответствие****Einhell Germany AG · Wiesenweg 22 · D-94405 Landau/Isar****Konformitätserklärung**

- (C)** erklärt folgende Konformität gemäß EU-Richtlinie und Normen für Artikel
- (GB)** explains the following conformity according to EU directives and norms for the following product
- (F)** déclare la conformité suivante selon la directive CE et les normes concernant l'article
- (I)** dichiara la seguente conformità secondo la direttiva UE e le norme per l'articolo
- (NL)** verklaart de volgende overeenstemming conform EU richtlijn en normen voor het product
- (E)** declara la siguiente conformidad a tenor de la directiva y normas de la UE para el artículo
- (P)** declara a seguinte conformidade, de acordo com a directiva CE e normas para o artigo
- (DK)** atterer følgende overensstemmelse i medfør af EU-direktiv samt standarder for artikel
- (S)** förklarar följande överensstämmelse enl. EU-direktiv och standarder för artikeln
- (RU)** вакуuttaa, että tuote täyttää EU-direktiivin ja standardien vaatimukset
- (GR)** töendab toote vastavust EL direktiivile ja standarditele
- (CZ)** vydává následující prohlášení o shodě podle směrnice EU a norem pro výrobek
- (SK)** potvrduje sledečo skladnosť s smernico EU in standardi za izdelek
- (HU)** vydává nasledujúce prehlásenie o zhode podľa smernice EÚ a noriem pre výrobok
- (H)** a cikkekhez az EU-irányvonal és Normák szerint a következő konformitást jelenti ki
- (PL)** deklaruje zgodność wymienionego poniżej artykułu z następującymi normami na podstawie dyrektywy WE.
- (BG)** декларира съответното съответствие съгласно Директива на ЕС и норми за артикул
- (LV)** paskaidro šādu atbilstību ES direktīvai un standartiem
- (LT)** apibūdina šį atitikimą EU reikalavimams ir prekės normoms
- (RO)** declară următoarea conformitate conform directivei UE și normelor pentru articolul
- (GR)** δηλώνει την ακόλουθη συμμόρφωση σύμφωνα με την Οδηγία ΕΚ και τα πρότυπα για το προϊόν
- (HR)** potvrđuje sljedeću usklađenost prema smjernicama EU i normama za artikl
- (SK)** potvrđuje sljedeću usklađenost prema smjernicama EU i normama za artikl
- (SI)** potrjuje sledečo usklađenost prema smernicama EZ i normama za artikl
- (RS)** следующим удостоверяется, что следующие продукты соответствуют директивам и нормам ЕС
- (UA)** проголошує про зазначену нижче відповідність виробу директивам та стандартам ЄС на виріб
- (MK)** ja izjavува следната сообрзност согласно EУ-директивата и нормите за артикли
- (TR)** Ürünü ile ilgili AB direktifleri ve normları gereğince aşağıda açıklanan uygunluğu belirtir
- (N)** erklærer følgende samsvar i henhold til EU-direktivet og standarder for artikkel
- (IS)** Lýsir uppfyllingu EU-reglna og annarra staða vöru

**Dekupiersäge PDKS 120 A2 (Parkside)**

- 87/404/EC\_2009/105/EC
- 2005/32/EC\_2009/125/EC
- 2006/95/EC
- 2006/28/EC
- 2004/108/EC
- 2004/22/EC
- 1999/5/EC
- 97/23/EC
- 90/396/EC\_2009/142/EC
- 89/686/EC\_96/58/EC
- 2006/42/EC
- Annex IV  
Notified Body:  
Notified Body No.:  
Reg. No.:
- 2000/14/EC\_2005/88/EC
- Annex V
- Annex VI  
Noise: measured  $L_{WA}$  = dB (A); guaranteed  $L_{WA}$  = dB (A)  
P = KW; L $\emptyset$  = cm  
Notified Body:
- 2004/26/EC  
Emission No.:

**Standard references: EN 61029-1; EN 55014-1; EN 55014-2; EN 61000-3-2; EN 61000-3-3**

Landau/Isar, den 30.03.2011

  
Weichselgartner/General Manager


  
Wentao/Product-Management

First CE: 11  
Art.-No.: 43.090.28 I.-No.: 11011  
Subject to change without notice

Archive-File/Record: NAPR003895  
Documents registrar: Siegfried Roider  
Wiesenweg 22, D-94405 Landau/Isar

# 13. ДОКУМЕНТ ЗА ГАРАНЦИЯ

## Уважаеми клиенти,

нашите продукти подлежат на строг качествен контрол. В случай, че въпреки това в даден момент този уред не работи безупречно, изказваме съжалението си и Ви молим, да се обърнете към нашата сервисна служба на посочения на тази гаранционна карта адрес. С удоволствие сме на Ваше разположение и по телефона на посочения телефонен номер в сервиса. За предявяването на претенциите по отношение на гаранцията е в сила следното:

1. Тези гаранционни условия уреждат допълнителни гаранционни услуги. Вашите законни права при недостатъци на престацията не биват засегнати от тази гаранция. Нашата гаранционна услуга е безплатна за Вас.
2. Гаранционната услуга се разпростира изключително върху дефекти, които се дължат на дефекти в суровината или производствени дефекти и се ограничава до отстраняване на тези дефекти, респ. до подмяна на уреда. Моля, обърнете внимание на това, че нашите уреди съгласно предназначението не са конструирани за промишлена, занаятчийска или индустриална употреба. Гаранционен договор при това не се сключва, когато уредът се използва в промишлени, занаятчийски или индустриални предприятия, както и при равностойни на тях дейности. От нашата гаранция се изключват също така допълнителни услуги за транспортни щети, щети поради не съблюдаване на упътването за монтажа или въз основа на не прецизна инсталация, не съблюдаване на упътването за употреба (като напр. поради свързване към неподходящо електрическо напрежение или вид ток), груби или неподходящи за целта приложения (като напр. претоварване на уреда или използване на не позволени инструменти за употреба или оборудване), не спазване на разпоредбите за поддръжка и безопасност, навлизане на чужди тела в уреда (като напр. пясък, камъни или прах), употреба на сила или чужди намеси (като напр. щети, получени чрез падане) както и поради обичайното изхабяване при употребата. Това важи по-специално за акумулатори, за които въпреки това осигуряваме гаранционен срок от 12 месеца.

Правото за гаранция изтича, когато по уреда вече са били извършени намеси.

3. Гаранционният период е 3 години и започва от датата на покупка на уреда. Гаранционните права трябва да се предявят преди изтичане на гаранционния период в рамките на две седмици, след като сте открили дефекта. Предявяването на гаранционните права след изтичане на гаранционния период е изключено. Поправката или подмяната на уреда не води до удължаване на гаранционния период, както и с тази услуга за уреда или за евентуални монтирани резервни части не започва нов гаранционен период. Това важи също и при използване на сервисни услуги на място.
4. За предявяването на Вашето гаранционно право, моля, изпратете дефектния уред на посочения по-долу адрес без заплащане на пощенска такса. Приложете квитанцията в оригинал или друг удостоверяващ покупката документ с дата. Моля, затова пазете добре касовия бон като доказателство! Моля, опишете ни причината за рекламацията възможно най-точно. Ако дефектът на уреда е включен в нашата гаранционна услуга, веднага ще получите обратно поправен или нов уред.

Разбира се, в замяна на възстановяването на разходите ние с удоволствие отстраняваме също и дефекти по уреда, които не са или вече не са включени в обхвата на гаранцията. За целта, моля, изпратете уреда на нашия адрес в сервиса.

Einhell Bulgaria LTD  
Blvd. "Tzar Osvoboditel" N<sup>o</sup> 331.  
**BG-9000 Varna**  
Tel. 00359 52 739 038

DE/AT/  
CH

## Inhaltsverzeichnis

## Seite

1. Einleitung .....	50
2. Sicherheitshinweise .....	50-53
3. Gerätebeschreibung .....	53
4. Lieferumfang .....	53-54
5. Bestimmungsgemäße Verwendung .....	54
6. Technische Daten .....	55
7. Vor Inbetriebnahme .....	56-57
8. Bedienung .....	57-58
9. Austausch der Netzanschlussleitung .....	58
10. Reinigung, Wartung, Lagerung und Ersatzteilbestellung .....	58-59
11. Entsorgung und Wiederverwertung .....	59
12. Konformitätserklärung .....	60
13. Garantieurkunde .....	61

Der Nachdruck oder sonstige Vervielfältigung von Dokumentation und Begleitpapieren der Produkte, auch auszugsweise, ist nur mit ausdrücklicher Zustimmung der ISC GmbH zulässig.

Technische Änderungen vorbehalten



## Zusätzliche Sicherheitshinweise



“WARNUNG - Zur Verringerung des Verletzungsrisikos Bedienungsanleitung lesen”



### **Tragen Sie einen Gehörschutz.**

Die Einwirkung von Lärm kann Hörverlust bewirken.



### **Tragen Sie eine Staubschutzmaske.**

Beim Bearbeiten von Holz und anderer Materialien kann gesundheitsschädlicher Staub entstehen. Asbesthaltiges Material darf nicht bearbeitet werden!



### **Tragen Sie eine Schutzbrille.**

Während der Arbeit entstehende Funken oder aus dem Gerät heraustretende Splitter, Späne und Stäube können Sichtverlust bewirken.



### **Achtung! Verletzungsgefahr!**

Nicht in das laufende Sägeblatt greifen!

DE/AT/  
CH

## 1. Einleitung

### ⚠ Achtung!

Beim Benutzen von Geräten müssen einige Sicherheitsvorkehrungen eingehalten werden, um Verletzungen und Schäden zu verhindern. Lesen Sie diese Bedienungsanleitung / Sicherheitshinweise deshalb sorgfältig durch. Bewahren Sie diese gut auf, damit Ihnen die Informationen jederzeit zur Verfügung stehen. Falls Sie das Gerät an andere Personen übergeben sollten, händigen Sie diese Bedienungsanleitung / Sicherheitshinweise bitte mit aus. Wir übernehmen keine Haftung für Unfälle oder Schäden, die durch Nichtbeachten dieser Anleitung und den Sicherheitshinweisen entstehen.

## 2. Sicherheitshinweise

### ⚠ WARNUNG

**Lesen Sie alle Sicherheitshinweise und Anweisungen.** Versäumnisse bei der Einhaltung der Sicherheitshinweise und Anweisungen können elektrischen Schlag, Brand und/oder schwere Verletzungen zur Folge haben.

**Bewahren Sie alle Sicherheitshinweise und Anweisungen für die Zukunft auf.**

### 2.1 Allgemeine Sicherheitshinweise zu Elektrogeräten

**Achtung! Beim Gebrauch von Elektrowerkzeugen sind zum Schutz gegen elektrischen Schlag, Verletzungs- und Brandgefahr folgende Sicherheitsmaßnahmen zu beachten. Lesen und beachten Sie diese Hinweise, bevor Sie das Gerät benutzen.**

#### 1. Halten Sie Ihren Arbeitsbereich in Ordnung

Unordnung im Arbeitsbereich ergibt Unfallgefahr.

#### 2. Berücksichtigen Sie Umgebungseinflüsse

Setzen Sie Elektrowerkzeuge nicht dem

Regen aus. Benutzen Sie Elektrowerkzeuge nicht in feuchter oder nasser Umgebung. Sorgen Sie für gute Beleuchtung. Benutzen Sie Elektrowerkzeuge nicht in der Nähe von brennbaren Flüssigkeiten oder Gasen.

#### 3. Schützen Sie sich vor elektrischem Schlag

Vermeiden Sie Körperberührung mit geerdeten Teilen, zum Beispiel Rohren, Heizkörpern, Herden, Kühlschränken.

#### 4. Halten Sie Kinder fern!

Lassen Sie andere Personen nicht das Werkzeug oder Kabel berühren, halten Sie sie von Ihrem Arbeitsbereich fern.

#### 5. Bewahren Sie Ihre Werkzeuge sicher auf

Unbenutzte Werkzeuge müssen in einem trockenen, verschlossenen Raum und für Kinder nicht erreichbar aufbewahrt werden.

#### 6. Überlasten Sie Ihre Werkzeuge nicht

Sie arbeiten besser und sicherer im angegebenen Leistungsbereich.

#### 7. Benutzen Sie das richtige Werkzeug

Verwenden Sie keine zu schwachen Werkzeuge oder Vorsatzgeräte für schwere Arbeiten.

Benutzen Sie Werkzeuge nicht für Zwecke und Arbeiten, für die sie nicht bestimmt sind; zum Beispiel benutzen Sie keine Handkreissäge, um Bäume zu fällen oder Äste zu schneiden.

#### 8. Tragen Sie geeignete Arbeitskleidung

Tragen Sie keine weite Kleidung oder Schmuck. Sie können von beweglichen Teilen erfasst werden. Bei Arbeiten im Freien sind Gummihandschuhe und rutschfestes Schuhwerk empfehlenswert. Tragen Sie bei langen Haaren ein Haarnetz.

#### 9. Benutzen Sie eine Schutzausrüstung

Tragen Sie eine Schutzbrille. Verwenden Sie eine Atemmaske bei stauberzeugenden Arbeiten.

#### 10. Zweckentfremden Sie nicht das Kabel

Tragen Sie das Werkzeug nicht am Kabel, und benutzen Sie es nicht, um den Stecker aus der Steckdose zu ziehen. Schützen Sie das Kabel vor Hitze, Öl und scharfen Kanten.

#### 11. Sichern Sie das Werkstück

Benutzen Sie Spannvorrichtungen oder einen Schraubstock, um das Werkstück

festzuhalten. Es ist damit sicherer gehalten als mit Ihrer Hand und ermöglicht die Bedienung der Maschine mit beiden Händen.

#### 12. **Überdehnen Sie Ihren Standbereich nicht**

Vermeiden Sie abnormale Körperhaltung. Sorgen Sie für sicheren Stand, und halten Sie jederzeit das Gleichgewicht.

#### 13. **Pflegen Sie Ihre Werkzeuge mit Sorgfalt**

Halten Sie Ihre Werkzeuge scharf und sauber, um gut und sicher zu arbeiten. Befolgen Sie die Wartungsvorschriften und die Hinweise für Werkzeugwechsel. Kontrollieren Sie regelmäßig den Stecker und das Kabel, und lassen Sie diese bei Beschädigung von einem anerkannten Fachmann erneuern. Kontrollieren Sie Verlängerungskabel regelmäßig und ersetzen Sie beschädigte. Halten Sie Handgriffe trocken und frei von Öl und Fett.

#### 14. **Ziehen Sie den Netzstecker**

Bei Nichtgebrauch, vor der Wartung und beim Werkzeugwechsel, wie zum Beispiel Sägeblatt, Bohrer und Maschinenwerkzeugen aller Art.

#### 15. **Lassen Sie keine Werkzeugschlüssel stecken**

Überprüfen Sie vor dem Einschalten, dass die Schlüssel und Einstellwerkzeuge entfernt sind.

#### 16. **Vermeiden Sie unbeabsichtigten Anlauf**

Tragen Sie keine an das Stromnetz angeschlossenen Werkzeuge mit dem Finger am Schalter. Vergewissern Sie sich, dass der Schalter beim Anschluss an das Stromnetz ausgeschaltet ist.

#### 17. **Verlängerungskabel im Freien**

Verwenden Sie im Freien nur dafür zugelassene und entsprechend gekennzeichnete Verlängerungskabel.

#### 18. **Seien Sie stets aufmerksam**

Beobachten Sie Ihre Arbeit. Gehen Sie vernünftig vor. Verwenden Sie das Werkzeug nicht, wenn Sie unkonzentriert sind.

#### 19. **Kontrollieren Sie Ihr Gerät auf Beschädigungen**

Vor weiterem Gebrauch des Werkzeugs die Schutzeinrichtungen oder leicht beschädigte Teile sorgfältig auf ihre einwandfreie und

bestimmungsgemäße Funktion überprüfen. Überprüfen Sie, ob die Funktion beweglicher Teile in Ordnung ist, ob sie nicht klemmen oder ob Teile beschädigt sind. Sämtliche Teile müssen richtig montiert sein um die Sicherheit des Gerätes zu gewährleisten.

Beschädigte Schutzvorrichtungen und Teile müssen sachgemäß durch eine Kundendienstwerkstatt repariert oder ausgewechselt werden, soweit nichts anderes in den Betriebsanleitungen angegeben ist. Beschädigte Schalter müssen bei einer Kundendienstwerkstatt ersetzt werden. Benutzen Sie keine Werkzeuge, bei denen sich der Schalter nicht ein- und ausschalten lässt.

#### 20. **Achtung!**

Zu Ihrer eigenen Sicherheit, benutzen Sie nur Zubehör und Zusatzgeräte, die in der Bedienungsanleitung angegeben oder vom Werkzeug-Hersteller empfohlen oder angegeben werden. Der Gebrauch anderer als der in der Bedienungsanleitung oder im Katalog empfohlenen Einsatzwerkzeuge oder Zubehöre kann eine persönliche Verletzungsgefahr für Sie bedeuten.

#### 21. **Reparaturen nur vom Elektrofachmann**

Dieses Elektrowerkzeug entspricht den einschlägigen Sicherheitsbestimmungen. Reparaturen dürfen nur von einer Elektrofachkraft ausgeführt werden, andernfalls können Unfälle für den Betreiber entstehen.

#### 22. **Schließen Sie die Staubabsaug-Einrichtung an**

Wenn Vorrichtungen zum Anschluss von Staubabsaug-Einrichtungen vorhanden sind, überzeugen Sie sich, dass diese angeschlossen und benutzt werden.

#### **Spezielle Sicherheitshinweise**

- In einem Notfall die Maschine direkt ausschalten und den Netzstecker ziehen.
- Beachten Sie alle diese Hinweise, vor und während Sie mit der Säge arbeiten.
- Verwenden Sie die Säge nicht zum Brennholzsägen.
- Unterlassen Sie das Quersägen von Rund-

DE/AT/  
CH

- hölzern ohne geeignete Haltevorrichtung.
- Die Maschine ist mit einem Sicherheitsschalter gegen Wiedereinschalten nach Spannungsabfall ausgerüstet.
  - Ist ein Verlängerungskabel erforderlich, so vergewissern Sie sich, dass dessen Querschnitt für die Stromaufnahme der Säge ausreichend ist. Mindestquerschnitt 1 mm<sup>2</sup>.
  - Kabeltrommel nur im abgerollten Zustand verwenden.
  - An der Maschine tätige Personen dürfen nicht abgelenkt werden.
  - Die Sägeblätter dürfen in keinem Fall nach dem Ausschalten des Antriebs durch seitliches Gegendrücken gebremst werden.
  - Bauen Sie nur gut geschärfte, rißfreie und nicht verformte Sägeblätter ein.
  - Fehlerhafte Sägeblätter müssen sofort ausgetauscht werden.
  - Benützen Sie keine Sägeblätter, die den in dieser Gebrauchsanweisung angegebenen Kenndaten nicht entsprechen.
  - Es ist sicherzustellen, dass alle Einrichtungen, die das Sägeblatt verdecken, einwandfrei arbeiten.
  - Sicherheitseinrichtungen an der Maschine dürfen nicht demontiert oder unbrauchbar gemacht werden.
  - Beschädigte oder fehlerhafte Schutzeinrichtungen sind unverzüglich auszutauschen.
  - Schneiden Sie keine Werkstücke, die zu klein sind, um sie sicher in der Hand zu halten.
  - Die Maschine nicht soweit belasten, dass sie zum Stillstand kommt.
  - Drücken Sie das Werkstück immer fest gegen die Arbeitsplatte.
  - Entfernen Sie nie lose Splitter, Späne oder eingeklemmte Holzteile bei laufendem Sägeblatt.
  - Zum Beheben von Störungen am blockierten Einsatzwerkzeug die Maschine ausschalten. -Netzstecker ziehen- Entfernen Sie die Blockade. „Achtung! Verletzungsgefahr Sägeblatt! Tragen Sie Schutzhandschuhe! Führen Sie einen Probelauf ohne Werkstück durch. Achten Sie darauf, dass keine ungewöhnlichen Geräusche oder Schwingungen auftreten. Ist dies der Fall, schalten Sie das Gerät aus und wenden sich an den Hersteller.
  - Umrüstungen, sowie Einstell-, Meß- und Reinigungsarbeiten nur bei abgeschaltetem Motor durchführen. - Netzstecker ziehen -
  - Überprüfen Sie vor dem Einschalten, dass die Schlüssel und Einstellwerkzeuge entfernt sind.
  - Beim Verlassen des Arbeitsplatzes den Motor ausschalten und Netzstecker ziehen.
  - Elektroinstallationen, Reparaturen und Wartungsarbeiten dürfen nur von Fachleuten ausgeführt werden.
  - Sämtliche Schutz- und Sicherheitseinrichtungen müssen nach abgeschlossener Reparatur oder Wartung sofort wieder montiert werden.
  - Die Sicherheits-, Arbeits-, und Wartungshinweise des Herstellers, sowie die in den Technischen Daten angegebenen Abmessungen, müssen eingehalten werden.
  - Die einschlägigen Unfallverhütungsvorschriften und die sonstigen, allgemein anerkannten sicherheitstechnischen Regeln müssen beachtet werden.
  - Merkhefte der Berufsgenossenschaft beachten (VBG 7j).
  - Die Säge ist nur zur Aufstellung in Innenräumen gedacht.
  - Werkstücke, die kleiner als der Sägeblattschutz sind, können zu Verletzungen an Händen und Fingern führen. Geeignete Hilfsmittel verwenden!
  - Vermeiden Sie verkrampfte Handpositionen beim Führen des Werkstücks und Positionen, in denen ein Ausrutschen die Hand direkt ins Sägeblatt führen würde.
  - Legen Sie das Sägeblatt immer so ein, dass die Zähne nach unten zum Säge Tisch hinweisen.
  - Stellen Sie immer die korrekte Blattspannung ein, um ein Reißen der Sägeblätter zu vermeiden.
  - Gehen Sie besonders vorsichtig beim Schneiden von Material mit unregelmäßigen Schnittprofilen vor.

- Lassen Sie besondere Vorsicht walten beim Schneiden von runden Körpern, wie Stangen oder Rohren. Diese können vor dem Sägeblatt abrollen und zum Verhaken der Zähne führen. Stützen Sie derartige Werkstücke mit einem Keil ab.
- Beim Zurückziehen des Werkstücks können sich Zähne in der Schnittfuge verhaken, besonders wenn die Sägespäne die Fuge blockieren. In diesem Fall sollten Sie die Säge abstellen, den Netzstecker ziehen, mit einem Keil die Schnittfuge öffnen und das Werkstück abziehen.
- Verlassen Sie den Arbeitsplatz niemals, ohne die Säge vorher abzustellen. Warten Sie, bis die Säge zum Stillstand gekommen ist.
- Setzen, kleben oder bauen Sie keine Teile am Arbeitstisch zusammen, während die Säge läuft.
- Säge erst nach Freimachen des Arbeitstisches von Materialresten und Werkzeugen einschalten. Lassen Sie nur das zu bearbeitende Werkstück und etwaige Arbeitshilfen (Keile) auf dem Werkstisch.
- Tragen Sie immer eine Schutzbrille.
- Halten Sie die Finger in einem sicheren Abstand vom Sägeblatt.
- Führen Sie das Werkstück sicher und fest und lassen Sie es zu keinem Zeitpunkt locker.
- Verlassen Sie den Arbeitsplatz niemals, ohne vorher die Säge abzustellen.
- Lassen Sie sich von Ihrer Vertrautheit mit der Säge nicht zu Unachtsamkeit verleiten. Durch Unachtsamkeit kann es bereits innerhalb von Sekundenbruchteilen zu schweren Verletzungen kommen.

**Bewahren Sie die Sicherheitshinweise gut auf.**

### 3. Gerätebeschreibung (Abb. 1-15)

1. Abblasvorrichtung
2. Halterung
3. Rändelschraube
4. Halter
5. Sägeblattschutz
6. Sägetisch
7. Abdeckung links
8. Lagerstellen
9. Spannschraube
10. Ausleger
11. Gradskala
12. Feststellhebel
13. Staubabsauganschluss
14. Ein/Ausschalter
15. Hubzahlregler
16. Montagepunkte
- 17a. 5x Sägeblatt 15 Zähne/25 mm  
(Schnittbreite ca. 0,7 mm)
- 17b. 5x Sägeblatt 18 Zähne/25 mm  
(Schnittbreite ca. 0,4 mm)
18. Staubabsaugadapter
19. Adapter für Laubsägeblätter
20. Inbusschlüssel 2,5 mm
21. Inbusschlüssel 4 mm
22. Aufbewahrungsbox für Sägeblätter
23. Unterlegscheiben
24. Sägeblatthalter oben
25. Sägeblatthalterung unten
26. Tischeinlage
27. Zeiger
28. Schraube

### 4. Lieferumfang

- Öffnen Sie die Verpackung und nehmen Sie das Gerät vorsichtig aus der Verpackung.
- Entfernen Sie das Verpackungsmaterial sowie Verpackungs- und Transportsicherungen (falls vorhanden).
- Überprüfen Sie, ob der Lieferumfang vollständig ist.
- Kontrollieren Sie das Gerät und die Zubehörteile auf Transportschäden.
- Bewahren Sie die Verpackung nach Möglichkeit bis zum Ablauf der Garantiezeit auf.

DE/AT/  
CH**ACHTUNG**

**Gerät und Verpackungsmaterial sind kein Kinderspielzeug! Kinder dürfen nicht mit Kunststoffbeuteln, Folien und Kleinteilen spielen! Es besteht Verschluckungs- und Erstickungsgefahr!**

- Dekupiersäge
- Sägeblattschutz
- Rändelschraube (2x)
- Beilagscheibe Ø 6 mm (2x)
- Abblasvorrichtung
- Ersatzsägeblatt (10x) (für Holz und Kunststoffe)
- Adapter Laubsägeblatt (2x)
- Inbusschlüssel 2,5 mm
- Inbusschlüssel 4 mm
- Absaugadapter
- Originalbetriebsanleitung

## 5. Bestimmungsgemäße Verwendung

Die Dekupiersäge dient zum Schneiden von kantigen Hölzern oder holzähnlichen Werkstoffen wie z.B. Plexiglas, GFK, Schaumstoff, Gummi, Leder und Kork. Verwenden Sie die Säge nicht zum Schneiden von Rundmaterial. Rundmaterial kann leicht verkanten. **Verletzungsgefahr! Teile können herausgeschleudert werden!**

Das Gerät darf nur nach seiner Bestimmung verwendet werden. Jede weitere darüber hinausgehende Verwendung ist nicht bestimmungsgemäß. Für daraus hervorgerufene Schäden oder Verletzungen aller Art haftet der Benutzer/Bediener und nicht der Hersteller.

Bitte beachten Sie, dass unsere Geräte bestimmungsgemäß nicht für den gewerblichen, handwerklichen oder industriellen Einsatz konstruiert wurden. Wir übernehmen keine Gewährleistung, wenn das Gerät in Gewerbe-, Handwerks- oder Industriebetrieben sowie bei gleichzusetzenden Tätigkeiten eingesetzt wird.

- Es dürfen nur für die Maschine geeignete Sägeblätter verwendet werden.
- Bestandteil der bestimmungsgemäßen Verwendung ist auch die Beachtung der Sicherheitshinweise, sowie die Montageanleitung und Betriebshinweise in der Bedienungsanleitung.
- Personen, die die Maschine bedienen und warten, müssen mit dieser vertraut und über mögliche Gefahren unterrichtet sein.
- Darüber hinaus sind die geltenden Unfallverhütungsvorschriften genauestens einzuhalten.
- Sonstige allgemeine Regeln in arbeitsmedizinischen und sicherheitstechnischen Bereichen sind zu beachten.
- Veränderungen an der Maschine schließen eine Haftung des Herstellers und daraus entstehende Schäden gänzlich aus.

**Restrisiken!**

**Auch wenn Sie dieses Elektrowerkzeug vorschriftsmäßig bedienen, bleiben immer Restrisiken bestehen. Folgende Gefahren können im Zusammenhang mit der Bauweise und Ausführung dieses Elektrowerkzeuges auftreten:**

- Lungenschäden, falls keine geeignete Staubschutzmaske getragen wird.
- Gehörschäden, falls kein geeigneter Gehörschutz getragen wird.
- Unfallgefahr durch Handkontakt in nicht abgedecktem Schneidbereich des Werkzeuges.
- Verletzungsgefahr beim Werkzeugwechsel (Schnittgefahr).
- Quetschen der Finger.
- Gefährdung durch Rückschlag.
- Kippen des Werkstückes aufgrund einer unzureichenden Werkstückauflagefläche.
- Berühren des Schneidwerkzeuges.
- Herausschleudern von Astteilen und Werkstückteilen.

## 6. Technische Daten

Netzspannung:	230 V ~ 50Hz
Leistungsaufnahme:	120 Watt
Betriebsart:	S6 30%
Leistungsaufnahme:	80 Watt
Betriebsart:	S2 20 min
Leerlaufdrehzahl $n_0$ :	400-1600 min <sup>-1</sup>
Schutzart:	IP 20
Hubbewegung:	21 mm
Standfläche:	410 x 245 mm
Tisch schwenkbar:	0° bis 45° nach links
Tischgröße:	410 x 253 mm
Sägeblattlänge:	134 mm
Ausladung:	406 mm
Schnitthöhe max. bei 90°:	57 mm
Schnitthöhe max. bei 45°:	32 mm
Gewicht:	ca. 10,5 kg

### Betriebsart S6 30%:

Durchlaufbetrieb mit Aussetzbelastung (Spieldauer 10 min). Um den Motor nicht unzulässig zu erwärmen darf der Motor 30% der Spieldauer mit der angegebenen Nennleistung betrieben werden und muss anschließend 70% der Spieldauer ohne Last weiterlaufen.

### Betriebsart S2 20 min:

Bemessungsbetriebsdauer 20 min / Bemessungsruhedauer 20 min  
Die Einschaltdauer S2 20 min (Kurzzeitbetrieb) sagt aus, dass der Motor mit der Nennleistung 80 Watt nur für die auf dem Datenschild angegebene Zeit (20 min) dauernd belastet werden darf. Andernfalls würde er sich unzulässig erwärmen. Während der Pause kühlt sich der Motor wieder auf seine Ausgangstemperatur ab.

## Geräuschemissionswerte

### Geräusch und Vibration

Die Geräusch- und Vibrationswerte wurden entsprechend EN 61029 ermittelt.

### Tragen Sie einen Gehörschutz.

Die Einwirkung von Lärm kann Gehörverlust bewirken.

	Betrieb	Leerlauf
Schalldruckpegel $L_{pA}$ :	82,6 dB	62,3 dB
Unsicherheit $K_{pA}$ :		3 dB
Schalleistungspegel $L_{WA}$ :	95,6 dB	75,3 dB
Unsicherheit $K_{WA}$ :		3 dB

Die angegebenen Werte sind Emissionswerte und müssen damit nicht zugleich auch sichere Arbeitsplatzwerte darstellen. Obwohl es eine Korrelation zwischen Emissions- und Immissionspegeln gibt, kann daraus nicht zuverlässig abgeleitet werden, ob zusätzliche Vorsichtsmaßnahmen notwendig sind oder nicht. Faktoren, welche den derzeitigen am Arbeitsplatz vorhandenen Immissionspegel beeinflussen können, beinhalten die Dauer der Einwirkungen, die Eigenart des Arbeitsraumes, andere Geräuschquellen usw., z.B. die Anzahl der Maschinen und von anderen benachbarten Vorgängen. Die zuverlässigen Arbeitsplatzwerte können ebenso von Land zu Land variieren. Diese Information soll jedoch den Anwender befähigen, eine bessere Abschätzung von Gefährdung und Risiko vorzunehmen.

### Beschränken Sie die Geräuscentwicklung und Vibration auf ein Minimum!

- Verwenden Sie nur einwandfreie Geräte.
- Warten und reinigen Sie das Gerät regelmäßig.
- Passen Sie Ihre Arbeitsweise dem Gerät an.
- Überlasten Sie das Gerät nicht.
- Lassen Sie das Gerät gegebenenfalls überprüfen.
- Schalten Sie das Gerät aus, wenn es nicht benutzt wird.

## 7. Vor Inbetriebnahme

### Achtung!

**Ziehen Sie immer den Netzstecker, bevor Sie Einstellungen am Gerät vornehmen.**

#### 7.1 Allgemein

- Vor Inbetriebnahme müssen alle Abdeckungen und Sicherheitsvorrichtungen ordnungsgemäß montiert sein.
- Das Sägeblatt muss frei laufen können.
- Bei bereits bearbeitetem Holz auf Fremdkörper wie z.B. Nägel oder Schrauben usw. achten.
- Bevor Sie den Ein-/Ausschalter betätigen, vergewissern Sie sich, ob das Sägeblatt richtig montiert ist und bewegliche Teile leichtgängig sind.
- Überzeugen Sie sich vor dem Anschließen der Maschine, dass die Daten auf dem Typenschild mit den Netzdaten übereinstimmen.
- Schließen Sie die Maschine nur an eine ordnungsgemäß installierte Schutzkontakt-Steckdose an, die mit mindestens 10A abgesichert ist.

#### 7.2 Montieren der Dekupiersäge auf einer Werkbank (Abb. 3,4)

Das Gerät darf nur von einem sachkundigen Fachmann montiert werden!

Zur Montage benötigen Sie (nicht im Lieferumfang enthalten):

- Sechskantschraube M8 (4x)
- Sechskantmutter M8 (8x)
- Unterlegscheibe Ø 8mm (4x)
- Flachdichtung Ø 8mm (4x)
- Gummiunterlage: 450x250x13mm

Die Länge der zu verwendeten Schrauben variiert je nach Dicke der Tischplatte.

- Montieren Sie die Dekupiersäge auf einem massiven Werk Tisch aus Holz. Dadurch kann eine starke Geräusentwicklung durch Vibrationen vermieden werden.
- Markieren Sie die Bohrlöcher. Verwenden Sie dazu die Dekupiersäge als Schablone.
- Bohren Sie 4 Löcher Ø 9mm in den Werk Tisch und die Gummiunterlage.
- Verschrauben Sie die Dekupiersäge mit dem Werk Tisch durch die Montagepunkte (Abb. 3/12 Pos. 16) in folgender Reihenfolge (Abb. 4):

- A) Dekupiersäge
- B) Gummiunterlage
- C) Werk Tisch
- D) Flachdichtung
- E) Unterlegscheibe
- F) Sechskantmutter
- G) Sechskantmutter
- H) Sechskantschraube

- Ziehen Sie zuerst die Sechskantmutter (F) fest an und sichern Sie diese anschließend durch eine zweite Sechskantmutter (G).

#### 7.3 Montage

Achtung! Vor allen Wartungs- und Umrüstungsarbeiten an der Dekupiersäge ist der Netzstecker zu ziehen.

##### 7.3.1 Montage des Sägeblattschutzes und der Späneabblas-Vorrichtung (Abb. 6/7/8)

- Sägeblattschutz (5) auf den Halter (4) schieben.
- Rändelschrauben (3) durch die Langlöcher des Sägeblattschutzes (5) schieben und festschrauben.
- Mit den Rändelschrauben kann der Sägeblattschutz in verschiedenen Höhen fixiert werden.
- Montieren Sie die Abblasvorrichtung (1) wie in Abbildung 8 dargestellt.



### 7.3.2 Sägeblatt wechseln (Abb. 1/6/9/10/11/14)

#### Warnung

**Um Verletzungen durch ein versehentliches Starten zu vermeiden: Vor dem Entfernen oder Auswechseln des Sägeblattes immer den Schalter auf die Position "0" stellen und den Netzstecker aus der Steckdose ziehen.**

- Spannschraube (9) nach links drehen, um das Sägeblatt (17) zu entspannen.
- Linke Abdeckung (7) abschrauben. Hierzu den Deckel der Aufbewahrungsbox (22) öffnen und die Schrauben (C) entfernen (Abb. 6). (Es ist auch möglich, das Sägeblatt zu wechseln ohne die linke Abdeckung zu entfernen, erfordert allerdings etwas Geschick).
- Sägeblatt zuerst aus der oberen Sägeblatthalterung (24) herausnehmen, dabei den oberen Pendelarm nach unten drücken.
- Anschließend das Sägeblatt aus der unteren Sägeblatthalterung (25) nehmen.
- Sägeblatt durch die Tischeinlage (26) nach oben herausziehen.
- Neues Sägeblatt in umgekehrter Reihenfolge wieder einsetzen.

**Achtung: Legen Sie das Sägeblatt immer so ein, dass die Zähne nach unten in Richtung des Sägefisches zeigen.**

Das Sägeblatt kann in Schlitz a (Bild 9,10) oder b (Bild 9,11) eingesetzt werden:

#### Schlitz a:

Für Schnitte längs des Auslegers

#### Schlitz b:

Für Schnitte quer zum Ausleger.

Sägeblatt durch Drehen der Spannschraube (9) nach rechts spannen. Sobald sich die Spannschraube etwas schwerer drehen lässt, muss diese noch ca. 3 ganze Umdrehungen weiter gedreht werden, damit diese richtig gespannt ist.

- Linke Abdeckung (7) wieder montieren. (Nur falls diese demontiert wurde)

### 7.3.3 Feineinstellung der Winkelskala

Achtung: Im Auslieferungszustand ist die Winkelskala bereits richtig eingestellt. Stellen Sie den Sägefisch mit Hilfe eines 90° Winkels den Sie am Sägefisch und am Sägeblatt anlegen ein (Abb.12). Lösen Sie die Schraube (28) und drehen den Zeiger (27) auf die 90° Markierung.

Für Präzise Arbeiten führen Sie eine Sägeprobe durch:

Testen Sie den eingestellten Winkel indem Sie einen Probeschnitt durchführen und die eingestellte Gradzahl am Werkstück mit einem Winkelmesser überprüfen. Gegebenenfalls justieren Sie den Zeiger (27) nach.

## 8. Bedienung

### 8.1 Anmerkung:

- Die Säge schneidet Holz nicht selbsttätig. Der Benutzer ermöglicht das Schneiden durch Führung des Holzes in das bewegte Sägeblatt.
- Die Zähne schneiden das Holz nur beim Abwärtshub.
- Das Holz muss langsam in das Sägeblatt geführt werden, da die Zähne des Sägeblattes sehr klein sind.
- Jede Person, die mit der Säge umgehen will, benötigt eine gewisse Lernzeit. Während dieser Zeit werden sicher einige Blätter brechen.
- Beim Schneiden von dickeren Hölzern ist besonders zu beachten, dass das Sägeblatt nicht gebogen oder verdreht wird.
- Durch eine vorsichtige Arbeitsweise wird die Lebensdauer des Sägeblattes erhöht.

### 8.2 Ein- Ausschalter (Abb. 2/Pos. 14)

- Zum Einschalten ist die "I" Taste zu drücken.
- Zum Ausschalten muss die "0" Taste gedrückt werden.

DE/AT/  
CH

**Achtung:** Die Maschine ist mit einem Sicherheitsschalter gegen Wiedereinschalten nach Spannungsabfall ausgerüstet.

Ist die Dekupiersäge eingeschaltet und die Stromzufuhr im Netz wird unterbrochen, bleibt die Dekupiersäge ausgeschaltet, auch wenn die Stromzufuhr wiederhergestellt ist. Zum Einschalten betätigen Sie erneut den Schalter „I“.

### 8.3 Hubzahlregler

Mit dem Hubzahlregler (15) können Sie die Hubzahl entsprechend des zu schneidenden Materials einstellen. Für weiches Material empfehlen wir hohe Drehzahlen, für hartes Material niedrige Drehzahlen. Drehen Sie den Hubzahlregler (15) nach rechts, erhöhen Sie die Drehzahl.

### 8.4 Durchführung von Innenschnitten

Ein Merkmal dieser Dekupiersäge ist die Möglichkeit zur Durchführung von Innenschnitten in einer Platte, ohne dass die Außenseite oder der Umfang der Platte beschädigt wird.

Zur Durchführung von Innenschnitten in einer Platte:

- Das Sägeblatt, wie im Abschnitt 7.3.2 beschrieben, entfernen.
- Ein Loch in die betreffende Platte bohren.
- Die Platte mit dem Loch über das Zugangsloch auf dem Säge Tisch legen.
- Das Sägeblatt durch das Loch in der Platte installieren und die Blattspannung einstellen.
- Nach Beendigung der Innenschnitte das Sägeblatt von den Blatthaltern entfernen (wie im Abschnitt 7.3.2 beschrieben) und die Platte vom Tisch nehmen.

### 8.5 Durchführen von Gehrungsschnitten

Schwenken Sie den Tisch indem Sie den Feststellhebel (12) Lösen und den Säge Tisch in die gewünschte Lage kippen (Abb. 13). Ziehen Sie den Feststellhebel an.

### Achtung!

Seien Sie beim Durchführen von Gehrungsschnitten besonders vorsichtig. Durch die Neigung des Säge Tisches wird ein Abrutschen begünstigt. **Verletzungsgefahr!**

### 8.6 Adapter für Laubsägeblätter (Abb. 5/14)

- Entfernen Sie das Sägeblatt wie unter 7.3.2 beschrieben.
- Setzen Sie nun das Laubsägeblatt (17) in den Adapter ein. Hierzu den Inbusschlüssel 2,5 mm verwenden. Achtung: Das Laubsägeblatt ist nicht im Lieferumfang enthalten.
- Zuerst die Tischeinlage (26) abnehmen.
- Dann beide Adapter (19) an die zwei Sägeblatthalter (24/25) hängen.
- Einsetzen des Sägeblattes wie unter Punkt 7.3.2 beschrieben.

## 9. Austausch der Netzanschlussleitung

Wenn die Netzanschlussleitung dieses Gerätes beschädigt wird, muss sie durch den Hersteller oder seinen Kundendienst oder eine ähnlich qualifizierte Person ersetzt werden, um Gefährdungen zu vermeiden.

## 10. Reinigung, Wartung, Lagerung und Ersatzteilbestellung

### Achtung!

Ziehen Sie vor allen Reinigungsarbeiten den Netzstecker.

### 10.1 Reinigung

- Halten Sie Schutzvorrichtungen, Luftschlitze und Motorengehäuse so staub- und schmutzfrei wie möglich.
- Wir empfehlen, dass Sie das Gerät direkt nach jeder Benutzung reinigen.
- Öffnen Sie die Abdeckung links (Abb. 1/Pos.7), entfernen Sie grobe Verunreinigungen (Sägespäne, Staub) mit

einem Handbesen.

- Reiben Sie das Gerät mit einem sauberen Tuch ab oder blasen Sie es mit Druckluft bei niedrigem Druck aus.
- Reinigen Sie das Gerät regelmäßig mit einem feuchten Tuch und etwas Schmierseife. Verwenden Sie keine Reinigungs- oder Lösungsmittel; diese könnten die Kunststoffteile des Gerätes angreifen. Achten Sie darauf, dass kein Wasser in das Geräteinnere gelangen kann.

## 10.2 Wartung

Im Geräteinneren befinden sich keine weiteren zu wartenden Teile.

### 10.2.1 Lager (Abb. 1/Pos. 8)

Schmieren Sie die Lagerstellen der Umlenkrollen periodisch mit einem hochwertigen Maschinenfett, spätestens jedoch nach etwa 25-30 Betriebsstunden.

### 10.2.2 Kohlebürsten

Bei übermäßiger Funkenbildung lassen Sie die Kohlebürsten durch eine Elektrofachkraft überprüfen. Achtung! Die Kohlebürsten dürfen nur von einer Elektrofachkraft ausgewechselt werden.

## 10.3 Lagerung

Lagern Sie das Gerät und dessen Zubehör an einem dunklen, trockenen und frostfreiem sowie für Kinder unzugänglichem Ort. Die optimale Lagertemperatur liegt zwischen 5 und 30 °C. Bewahren Sie das Elektrowerkzeug in der Originalverpackung auf.

## 10.4 Ersatzteilbestellung:

Bei der Ersatzteilbestellung müssen folgende Angaben gemacht werden;

- Typ des Gerätes
- Artikelnummer des Gerätes
- Ident-Nummer des Gerätes

Aktuelle Preise und Infos finden Sie unter [www.isc-gmbh.info](http://www.isc-gmbh.info)

## 11. Entsorgung und Wiederverwertung

Das Gerät befindet sich in einer Verpackung um Transportschäden zu verhindern. Diese Verpackung ist Rohstoff und ist somit wieder verwendbar oder kann dem Rohstoffkreislauf zurückgeführt werden. Das Gerät und dessen Zubehör bestehen aus verschiedenen Materialien, wie z.B. Metall und Kunststoffe. Führen Sie defekte Bauteile der Sondermüllentsorgung zu. Fragen Sie im Fachgeschäft oder in der Gemeindeverwaltung nach!



Nur für EU-Länder

Werfen Sie Elektrowerkzeuge nicht in den Hausmüll!

Gemäß europäischer Richtlinie 2002/96/EG über Elektro- und Elektronik-Altgeräte und Umsetzung in nationales Recht müssen verbrauchte Elektrowerkzeuge getrennt gesammelt werden und einer umweltgerechten Wiederverwertung zugeführt werden.

Recycling-Alternative zur Rücksendeauforderung:

Der Eigentümer des Elektrogerätes ist alternativ anstelle Rücksendung zur Mitwirkung bei der sachgerechten Verwertung im Falle der Eigentumsaufgabe verpflichtet. Das Altgerät kann hierfür auch einer Rücknahmestelle überlassen werden, die eine Beseitigung im Sinne der nationalen Kreislaufwirtschafts- und Abfallgesetze durchführt. Nicht betroffen sind den Altgeräten beigefügte Zubehörteile und Hilfsmittel ohne Elektrobestandteile.

DE/AT/  
CH

## 12. Konformitätserklärung

Einhell Germany AG · Wiesenweg 22 · D-94405 Landau/Isar



## Konformitätserklärung

- (C)** erklärt folgende Konformität gemäß EU-Richtlinie und Normen für Artikel
- (EN)** explains the following conformity according to EU directives and norms for the following product
- (F)** déclare la conformité suivante selon la directive CE et les normes concernant l'article
- (I)** dichiara la seguente conformità secondo la direttiva UE e le norme per l'articolo
- (NL)** verklaart de volgende overeenstemming conform EU richtlijn en normen voor het product
- (E)** declara la siguiente conformidad a tenor de la directiva y normas de la UE para el artículo
- (P)** declara a seguinte conformidade, de acordo com a directiva CE e normas para o artigo
- (DK)** atterer følgende overensstemmelse i medfør af EU-direktiv samt standarder for artikel
- (S)** förklarar följande överensstämmelse enl. EU-direktiv och standarder för artikeln
- (RU)** vakuuttaa, että tuote täyttää EU-direktiivin ja standardien vaatimukset
- (EL)** töendab toote vastavust EL direktiivile ja standarditele
- (CZ)** vydává následující prohlášení o shodě podle směrnice EU a norem pro výrobek
- (SK)** potvrduje sledujúcu skladnosť s smernico EU in standardi za izdelek
- (HU)** vydáva nasledujúce prehlásenie o zhode podľa smernice EÚ a noriem pre výrobok
- (H)** a cikkekhez az EU-irányvonal és Normák szerint a következő konformitást jelenti ki
- (PL)** deklaruje zgodność wymienionego poniżej artykułu z następującymi normami na podstawie dyrektywy WE.
- (BG)** декларира съответното съответствие съгласно Директива на ЕС и норми за артикул
- (LV)** paskaidro šādu atbilstību ES direktīvai un standartiem
- (LT)** apibūdina šį atitikimą EU reikalavimams ir prekės normoms
- (RO)** declară următoarea conformitate conform directivei UE și normelor pentru articolul
- (GR)** δηλώνει την ακόλουθη συμμόρφωση σύμφωνα με την Οδηγία ΕΚ και τα πρότυπα για το προϊόν
- (HR)** potvrđuje sljedeću usklađenost prema smjernicama EU i normama za artikl
- (SI)** potrjuje sljedeću usklađenost prema smjernicama EU i normama za artikl
- (SE)** potvrdjuje sledeću usklađenost prema smernicama EZ i normama za artikal
- (BG)** следующим удостоверяется, что следующие продукты соответствуют директивам и нормам ЕС
- (UK)** проголошує про зазначену нижче відповідність виробу директивам та стандартам ЄС на виріб
- (MK)** ja izjavuva slednata soobraznost согласно EУ-директивата и нормите за артикли
- (TR)** Ürünü ile ilgili AB direktifleri ve normları gereğince aşağıda açıklanan uygunluğu belirtir
- (N)** erklærer følgende samsvar i henhold til EU-direktivet og standarder for artikkel
- (IS)** Lýsir uppfyllingu EU-reglna og annarra staða vöru

## Dekupiersäge PDKS 120 A2 (Parkside)

- 87/404/EC\_2009/105/EC
- 2005/32/EC\_2009/125/EC
- 2006/95/EC
- 2006/28/EC
- 2004/108/EC
- 2004/22/EC
- 1999/5/EC
- 97/23/EC
- 90/396/EC\_2009/142/EC
- 89/686/EC\_96/58/EC
- 2006/42/EC
- Annex IV  
Notified Body:  
Notified Body No.:  
Reg. No.:
- 2000/14/EC\_2005/88/EC
- Annex V
- Annex VI  
Noise: measured  $L_{WA}$  = dB (A); guaranteed  $L_{WA}$  = dB (A)  
P = KW; LØ = cm  
Notified Body:
- 2004/26/EC  
Emission No.:

Standard references: EN 61029-1; EN 55014-1; EN 55014-2; EN 61000-3-2; EN 61000-3-3

Landau/Isar, den 30.03.2011

  
Weichselgartner/General Manager


  
Wentao/Product-Management

First CE: 11  
Art.-No.: 43.090.28 I.-No.: 11011  
Subject to change without notice

Archive-File/Record: NAPR003895  
Documents registrar: Siegfried Roider  
Wiesenweg 22, D-94405 Landau/Isar

# 13. GARANTIEURKUNDE

**Sehr geehrte Kundin, sehr geehrter Kunde,**

unsere Produkte unterliegen einer strengen Qualitätskontrolle. Sollte dieses Gerät dennoch einmal nicht einwandfrei funktionieren, bedauern wir dies sehr und bitten Sie, sich an unseren Servicedienst unter der auf dieser Garantiekarte angegebenen Adresse zu wenden. Gern stehen wir Ihnen auch telefonisch über die unten angegebene Servicrufnummer zur Verfügung. Für die Geltendmachung von Garantieansprüchen gilt Folgendes:

1. Diese Garantiebedingungen regeln zusätzliche Garantieleistungen. Ihre gesetzlichen Gewährleistungsansprüche werden von dieser Garantie nicht berührt. Unsere Garantieleistung ist für Sie kostenlos.
2. Die Garantieleistung erstreckt sich ausschließlich auf Mängel, die auf Material- oder Herstellungsfehler zurückzuführen sind und ist auf die Behebung dieser Mängel bzw. den Austausch des Gerätes beschränkt. Bitte beachten Sie, dass unsere Geräte bestimmungsgemäß nicht für den gewerblichen, handwerklichen oder industriellen Einsatz konstruiert wurden. Ein Garantievertrag kommt daher nicht zustande, wenn das Gerät in Gewerbe-, Handwerks- oder Industriebetrieben sowie bei gleichzusetzenden Tätigkeiten eingesetzt wird.  
Von unserer Garantie sind ferner Ersatzleistungen für Transportschäden, Schäden durch Nichtbeachtung der Montageanleitung oder aufgrund nicht fachgerechter Installation, Nichtbeachtung der Gebrauchsanleitung (wie durch z.B. Anschluss an eine falsche Netzspannung oder Stromart), missbräuchliche oder unsachgemäße Anwendungen (wie z.B. Überlastung des Gerätes oder Verwendung von nicht zugelassenen Einsatzwerkzeugen oder Zubehör), Nichtbeachtung der Wartungs- und Sicherheitsbestimmungen, Eindringen von Fremdkörpern in das Gerät (wie z.B. Sand, Steine oder Staub), Gewaltanwendung oder Fremdeinwirkungen (wie z. B. Schäden durch Herunterfallen) sowie durch verwendungsgemäßen, üblichen Verschleiß ausgeschlossen. Dies gilt insbesondere für Akkus, auf die wir dennoch eine Garantiezeit von 12 Monaten gewähren.  
Der Garantieanspruch erlischt, wenn an dem Gerät bereits Eingriffe vorgenommen wurden.
3. Die Garantiezeit beträgt 3 Jahre und beginnt mit dem Kaufdatum des Gerätes. Garantieansprüche sind vor Ablauf der Garantiezeit innerhalb von zwei Wochen, nachdem Sie den Defekt erkannt haben, geltend zu machen. Die Geltendmachung von Garantieansprüchen nach Ablauf der Garantiezeit ist ausgeschlossen. Die Reparatur oder der Austausch des Gerätes führt weder zu einer Verlängerung der Garantiezeit noch wird eine neue Garantiezeit durch diese Leistung für das Gerät oder für etwaige eingebaute Ersatzteile in Gang gesetzt. Dies gilt auch bei Einsatz eines Vor-Ort-Services.
4. Für die Geltendmachung Ihres Garantieanspruches übersenden Sie bitte das defekte Gerät portofrei an die unten angegebene Adresse. Fügen Sie den Verkaufsbeleg im Original oder einen sonstigen datierten Kaufnachweis bei. Bitte bewahren Sie deshalb den Kassenbon als Nachweis gut auf! Beschreiben Sie uns bitte den Reklamationsgrund möglichst genau. Ist der Defekt des Gerätes von unserer Garantieleistung erfasst, erhalten Sie umgehend ein repariertes oder neues Gerät zurück.

Selbstverständlich beheben wir gegen Erstattung der Kosten auch gerne Defekte am Gerät, die vom Garantiefumfang nicht oder nicht mehr erfasst sind. Dazu senden Sie das Gerät bitte an unsere Serviceadresse.







IAN: 67036 PDKS 120 A2

**Einhell Germany AG**

Wiesenweg 22

D-94405 Landau/Isar

Last Information Update · Stanje informacija

Състояние на информацията · Stand der Informationen:

05/2011 Ident.-No.: 43.090.28 052011 - 7

