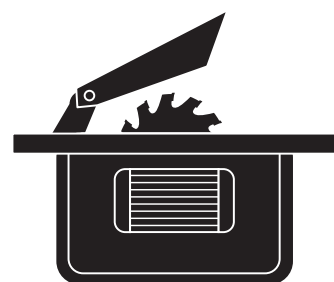


# *challenge* **xtreme**

## **Original Operating Instructions Table Saw**

**WARNING! PLEASE READ THESE INSTRUCTIONS  
BEFORE OPERATING THIS UNIT**

**KEEP THIS MANUAL FOR FUTURE REFERENCE**



Art.-Nr.: 43.407.65

I.-Nr.: 11011

**CX-TS 800**

**Helpline No 0844 801 8701 / IRE 189 094 6244**

<b>Contents</b>	<b>Page</b>
<b>1. Safety information</b>	<b>3</b>
<b>2. Layout and items supplied</b>	<b>8</b>
<b>3. Proper use</b>	<b>9</b>
<b>4. Important Notes</b>	<b>10</b>
<b>5. Technical data</b>	<b>10</b>
<b>6. Before starting the equipment</b>	<b>10</b>
<b>7. Assembly</b>	<b>11</b>
<b>8. Using the Saw</b>	<b>15</b>
<b>9. Sawing Operations</b>	<b>16</b>
<b>10. Cleaning, maintenance and ordering of spare parts</b>	<b>17</b>
<b>11. Disposal and recycling</b>	<b>17</b>
<b>12. Storage</b>	<b>17</b>
<b>13. Declaration of Conformity</b>	<b>19</b>
<b>14. Guarantee</b>	<b>20</b>



**Note the instructions for use!**



**Caution! Risk of injury! Do not reach into the running saw blade.**



**Wear a breathing mask!**



**Wear ear muffs!**



**Wear safety goggles!**



**Wear safety gloves**

**⚠ Important!**

**When using equipment, a few safety precautions must be observed to avoid injuries and damage. Please read the complete operating manual with due care. Keep this manual in a safe place, so that the information is available at all times. If you give the equipment to any other person, give them these operating instructions as well.**

**We accept no liability for damage or accidents which arise due to non-observance of these instructions and the safety information.**

## Safety regulations

Important. The following basic safety actions must be taken when using electric tools in order to protect the user from electric shocks and the risk of injury and fire. Read and follow these instructions before using the equipment.

- 1. Keep your work area tidy**
  - Untidy work areas can result in accidents.
- 2. Make allowance for ambient conditions**
  - Do not expose electric tools to rain. Never use electric tools in damp or wet locations. Provide good lighting. Do not use electric tools near flammable liquids or gases.
- 3. Guard against electric shock**
  - Avoid bodily contact with earthed parts (e.g. pipes, radiators, cookers and refrigerators).
- 4. Keep children away**
  - Do not allow other persons to touch the tool or cable, keep them away from your work area.
- 5. Keep your electric tools in a safe place.**
  - Unused tools should be stored in a dry, locked room out of children's reach.
- 6. Do not overload your tools**
  - Tools work better and safer when used within their quoted capacity range.
- 7. Use the right tool.**
  - Do not use tools or attachments too weak for heavy duty work. Never use tools on jobs for which they are not intended; for example, do not use a hand-held circular saw to fell trees or lop off branches.
- 8. Wear suitable work clothes**
  - Do not wear loose clothing or jewelry. They can be caught in moving parts. Rubber gloves and nonskid footwear are recommended when working outdoors. Wear protective hair covering to contain long hair.
- 9. Wear safety goggles.**
  - Use a dust mask when working on dusty jobs.
- 10. Do not use the cable for purposes other than that for which it is designed.**
  - Do not carry the tool by its cable and do not use the cable to pull the plug out of the socket. Protect the cable from heat, oil and sharp edges.
- 11. Secure your workpiece**
  - Use clamps or a vise to hold the workpiece securely. This is safer than using your hand and also enables you to operate the machine with both hands.
- 12. Do not overstretch.**
  - Avoid abnormal working postures. Make sure you stand squarely and keep your balance at all times.
- 13. Take care of your tools**
  - Keep your tools sharp and clean in order to work well and safely. Follow the maintenance regulations and the instructions for changing tools. Check the power plug and cable on a regular basis and have them replaced by an authorized specialist if they are damaged. Check the extension cable regularly and replace it if damaged. Keep handles dry and free from oil and grease.
- 14. Pull the power plug**
  - When tools are not in use, before starting any maintenance work or when changing attachments such as saw blades, drill bits and all kinds of mounted tools.
- 15. Always remove keys and wrenches after use**
  - Before switching on, make sure that all keys and wrenches have been removed from the equipment.
- 16. Avoid unintentional starting**
  - Never carry a tool with your finger on the switch button while the tool is connected to the power supply. Make sure that the switch is turned off when connecting the tool to the power supply.
- 17. Extension cables out of doors**
  - Use only authorized and accordingly labeled extension cables out of doors.
- 18. Be alert at all times**
  - Keep an eye on your work. Use common sense when working. Never use the tool when you are distracted.
- 19. Check the equipment for damage**
  - Before using the tool each time, check the safety devices or any slightly damaged parts to ensure that they are in good working order. Check that the moving parts are working correctly, that they do not jam, and that no parts are damaged. Make sure that all parts are fitted correctly to ensure that the equipment remains safe to use. Unless otherwise stated in the operating instructions, damaged guards and parts have to be repaired or replaced by a customer service workshop. Damaged switches have to be replaced by a customer service workshop. Never use tools with a switch that cannot be turned on and off.
- 20. Important.**
  - For your own safety you must only use the accessories and additional units listed in the operating instructions or recommended or specified by the manufacturer. The use of mounted tools or accessories other than those recommended in the operating instructions or catalog may place your personal safety at risk.
- 21. Repairs may only be carried out by a qualified electrician**
  - This electric tool complies with the pertinent safety regulations. Repair work must only be

carried out by a trained electrician, otherwise the equipment may cause accidents.

## 22. Connect up a vacuum extraction system

- If there are provisions for connecting up a vacuum extraction system, make sure that such a system is fitted and in use.

## Special safety instructions

### 1. Safety actions

- Blades that are deformed or cracked must not be used.
- If the table insert is worn, replace it.
- Use only blades which are recommended by the manufacturer and comply with EN 847-1. When changing the blade, make sure that the cutting width is not smaller and the saw plate not bigger than the thickness of the splitter.
- Make sure that the chosen blade is suitable for the material that is to be cut.
- If necessary, wear suitable personal protection equipment. This could consist of:
  - Ear plugs to prevent the risk of damaging your hearing;
  - A breathing mask to avoid the risk of inhaling hazardous dust.
  - Always wear gloves when handling saw blades and rough materials. Whenever practicable, saw blades must be carried in a container.
- The following can have an influence on dust development:
  - Worn, damaged or cracked saw blades
  - Recommended capacity of the vacuum extraction system: 20 m/s
  - Proper guidance of the workpiece
- Blades made of high-alloy high-speed steel (HSS) must not be used.
- Keep the push stick or handle for a push block at the machine at all times, even when you are not using them.

### 2. Maintenance and service

- The following conditions can have an influence on noise impact on the operator:
  - Type of sawblade (e.g. saw blades designed to reduce noise development)
  - Material of the workpiece
  - The force with which the workpiece is pushed against the sawblade
- Faults on the machine or its guards, safety devices and blade must be reported to the person in charge as soon as they are discovered.

### 3. Safe operation

- Use a push stick or the handle with a push block to feed the workpiece safely past the saw blade.
- Use the splitter and set it correctly.
- Use the upper blade guard and set it to the correct position.
- Do not cut rebates or grooves without fitting a suitable guard, e.g. a tunnel-type guard, over the saw table.
- Circular saws must not be used for slotting jobs (cutting grooves which end in the workpiece).
- Use only blades whose permissible maximum speed is not lower than the maximum spindle speed of the bench-type circular saw and of the material to be cut.
- Use only the transport devices to move the machine. Never use the guards for handling or moving the machine.
- While you are moving the machine it is best to cover the top part of the blade, e.g. with the guard.
- Secure long workpieces against falling off at the end of the cut (e.g. with a roller stand etc.)

### 4. Additional instructions

- Give these safety regulations to all persons who work on the machine.
- Do not use this saw to cut fire wood.
- Do not use this saw to cross-cut roundwood
- Caution! Hands and fingers may be injured on the rotating saw blade.
- The machine is equipped with a safety switch to prevent it being switched on again accidentally after a power failure.
- Before you use the machine for the first time, check that the voltage marked on the rating plate is the same as your mains voltage.
- If you need to use an extension cable, make sure its conductor cross-section is big enough for the saw's power consumption. Minimum cross-section: 1 mm<sup>2</sup>.
- If you use a cable reel, the complete cable must be pulled off the reel.
- Check the power cable. Never use a faulty or damaged power cable.
- Operators have to be at least 18 years of age. Trainees of at least 16 years of age are allowed to use the machine under supervision.
- Keep your workplace clean of wood scrap and any unnecessary objects.
- Persons working on the machine should not be distracted.
- Note the direction of rotation of the motor and saw blade.
- After you have switched off the motor, never

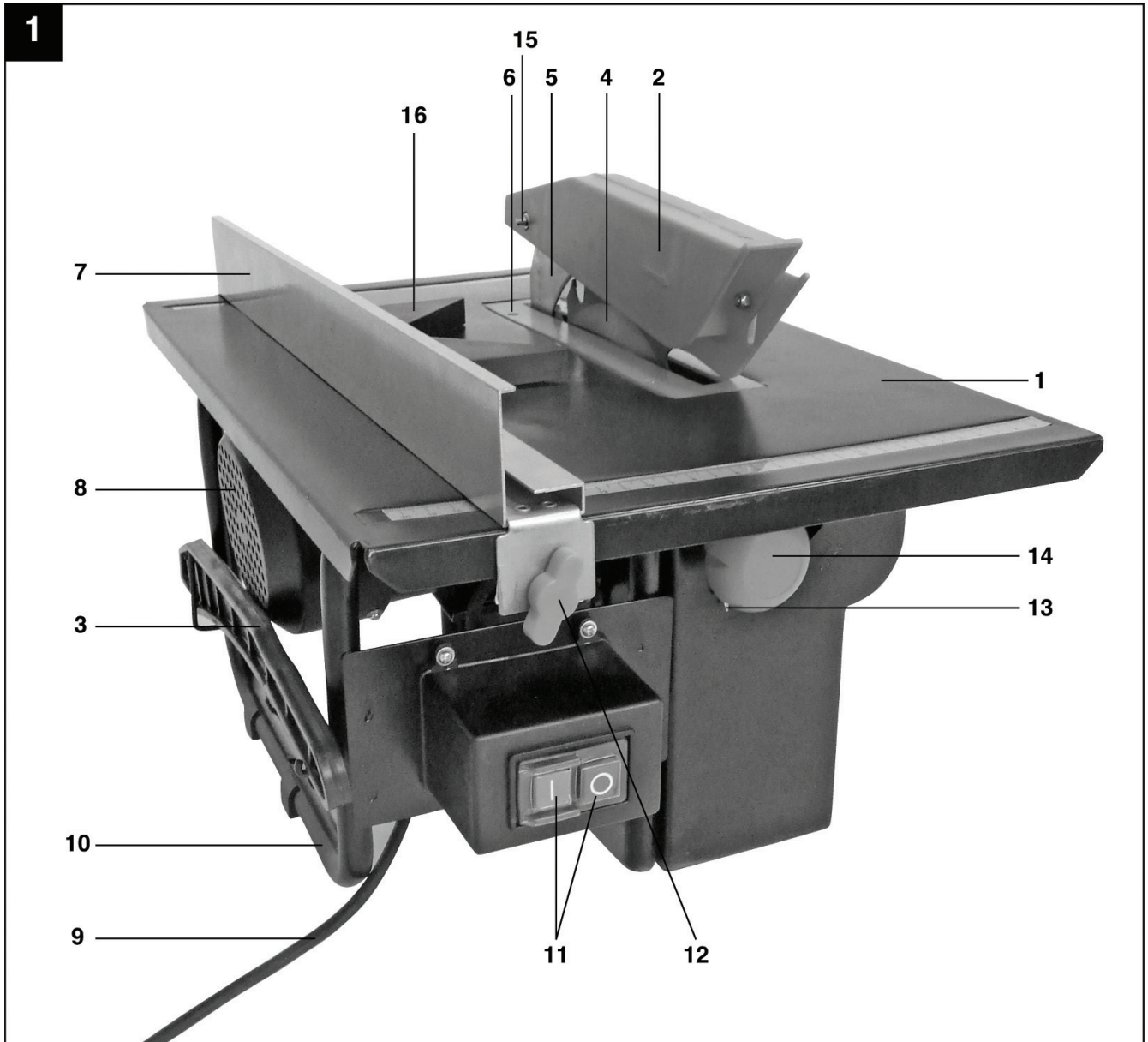
slow down the saw blade by applying pressure to its side.

- Only fit blades which are well sharpened and have no cracks or deformations.
- Never dismantle the machine's safety devices or render them inoperative.
- Faulty saw blades must be replaced immediately.
- Never use saw blades which do not comply with the data specified in this manual.
- It is imperative to make sure that all devices which cover the saw blade are in good working order.
- **Important:** It is prohibited to use this saw to make plunge cuts.
- Damaged or faulty safety devices have to be replaced immediately.
- The splitter is an important safety device. Not only does it guide the workpiece, it also prevents the kerf closing behind the blade so that there is no kickback from the workpiece. Note the thickness of the splitter. The splitter should never be thinner than the saw blade body or thicker than the width of its kerf.
- The guard hood has to be lowered over the workpiece for each cut.
- Be sure to use a push stick when slitting narrow workpieces (smaller than 120 mm in width).
- Never cut workpieces which are too small to hold securely in your hand.
- It is imperative for the parallel stop to be clamped on the right-hand side of the blade whenever you cut narrow workpieces to size.
- Always stand to the side of the saw blade when working with the saw.
- Never load the machine so much that it cuts out.
- Always press the workpiece firmly against the saw table.
- Make sure that off-cuts do not catch on the saw blade crown. Risk of catapulting!
- Refit all guards and safety devices immediately after you have completed any repairs or maintenance work.
- Be sure to observe the safety information and operating and maintenance instructions issued by the manufacturer, as well as the dimensions listed in the Technical Data.
- It is imperative to observe the accident prevention regulations in force in your area as well as all other generally recognized rules of safety.
- Note the information published by your professional associations.
- Connect up the dust extraction system on all jobs. The operator has to be informed about the conditions with an influence on dust development, e.g. the type of material being processed (source and collection of the dust), the significance of local separation arrangements, and the correct setting of hoods, baffle plates and guides.
- Operate the saw only with a suitable vacuum extraction system or a standard industrial vacuum cleaner.
- Never remove loose splinters, chips or jammed pieces of wood when the saw blade is running.
- To rectify faults or remove jammed pieces of wood, always switch off the machine first. Pull the power plug!
- If the sawing gap is worn, replace the table insert. Pull the power plug!
- This electric tool complies with the pertinent safety regulations.
- Keep your work area clean and tidy.
- Untidy and unlit work areas can result in accidents.
- Keep the tool out of the rain and away from moisture.
- The ingress of water into an electric tool increases the risk of an electric shock.
- Be careful, watch what you are doing and use an electric tool sensibly. Do not use the tool if you are tired or under the influence of drugs, alcohol or medication.
- A moment of inattention when using the electric tool can result in serious injuries.
- Do not use an electric tool with a defective switch. An electric tool that cannot be switched on or off is dangerous and must be repaired.
- Keep unused electric tools out of the reach of children. Do not allow people who are not familiar with the tool or who have not read these instructions to use the tool. Electric tools are dangerous if they are used by inexperienced people.
- Keep your cutting tools sharp and clean. Carefully maintained cutting tools with sharp cutting edges will jam less and are easier to control.
- If the connection lead on the electric tool is damaged, it must be replaced by a specially prepared connection lead available from our customer service organization.
- Have your tool repaired only by trained personnel using only genuine spare parts. This will ensure that your tool maintains its safety standard.
- The machine has to be set up where it can stand securely.
- All covers and safety devices have to be properly

fitted before the machine is switched on.

- It must be possible for the blade to run freely.
- When working with wood that has been processed before, watch out for foreign bodies such as nails or screws etc.
- Before you actuate the On/Off switch, make sure that the saw blade is correctly fitted and that the machine's moving parts run smoothly.
- Follow the instructions for lubrication and changing tools.
- Keep handles dry, clean and free from oil and grease.
- Keep the push stick or handle for a push block at the machine at all times, even when you are not using them.
- Do not cut rebates or grooves without fitting a suitable guard, e.g. a tunnel-type guard, over the saw table.
- Use only the transport device for transporting the machine.
- While you are moving the machine it is best to cover the top part of the blade, for example using a guard.

**Do not lose these safety instructions.**



### Layout (Fig. 1)

- 1 Saw table
- 2 Saw blade guard
- 3 Push stick
- 4 Saw blade
- 5 Splitter
- 6 Table insert
- 7 Parallel stop
- 8 Motor
- 9 Power cable
- 10 Stand
- 11 On/Off switch
- 12 Star-grip screw for parallel stop
- 13 Scale for angle settings
- 14 Star-grip screw for height adjustment
- 15 Screw for saw blade guard
- 16 Cross stop





## 2. Items supplied

- Carbide-tipped saw blade
- Parallel stop
- Push stick
- Bench-type circular saw
- Cross stop
- 2 x combined ring wrench / face spanners.

## 3. Proper use

The bench-type circular saw is designed for the slitting and cross-cutting of all types of timber, commensurate with the machine's size. The machine is not to be used for cutting any type of roundwood. The machine is to be used only for its prescribed purpose.

Any use other than that mentioned is considered to be a case of misuse. The user/operator and not the manufacturer shall be liable for any damage or injury resulting from such cases of misuse. The machine

is to be operated only with suitable saw blades. It is prohibited to use any type of cutting-off wheel. To use the machine properly you must also observe the safety regulations, the assembly instructions and the operating instructions to be found in this manual. All persons who use and service the machine have to be acquainted with this manual and must be informed about its potential hazards.

It is also imperative to observe the accident prevention regulations in force in your area. The same applies for the general rules of occupational health and safety.

The manufacturer shall not be liable for any changes made to the machine nor for any damage resulting from such changes.

Even when the machine is used as prescribed it is still impossible to eliminate certain residual risk factors. The following hazards may arise in connection with the machine's construction and design:

- Contact with the saw blade in the uncovered saw zone.
- Reaching into the running saw blade (cut injuries).
- Kick-back of workpieces and parts of workpieces
- Saw blade fracturing.
- Catapulting of faulty carbide tips from the saw blade.
- Damage to hearing if essential ear-muffs are not worn.
- Harmful emissions of wood dust when the machine is used in closed rooms.

Please note that our equipment has not been designed for use in commercial, trade or industrial applications. Our warranty will be voided if the machine is used in commercial, trade or industrial businesses or for equivalent purposes.

## 4. Important notes

Please read this manual carefully and pay attention to the information provided. Use this manual to familiarize yourself with the machine, its correct use and safety regulations.

The corresponding safety information can also be found in this instruction manual.

### Sound and vibration

Sound and vibration values were measured in accordance with EN 61029.

	Idling
$L_{pA}$ sound pressure level	95 dB(A)
$K_{pA}$ uncertainty	3 dB
$L_{WA}$ sound power level	108 dB(A)
$K_{WA}$ uncertainty	3 dB

### Wear ear-muffs / ear defenders.

The impact of noise can cause damage to hearing.

“The quoted values are emission values and not necessarily reliable workplace values. Although there is a correlation between emission and immission levels it is impossible to draw any certain conclusions as to the need for additional precautions. Factors with a potential influence on the actual immission level at the workplace include the duration of impact, the type of room, and other sources of noise etc., e.g. the number of machines and other neighboring operations. Reliable workplace values may also vary from country to country. With this information the user should at least be able to make a better assessment of the dangers and risks involved.”

Keep the noise emissions and vibrations to a minimum.

- Only use appliances which are in perfect working order.
- Service and clean the appliance regularly.
- Adapt your working style to suit the appliance.
- Do not overload the appliance.
- Have the appliance serviced whenever necessary.
- Switch the appliance off when it is not in use.

## 5. Technical data

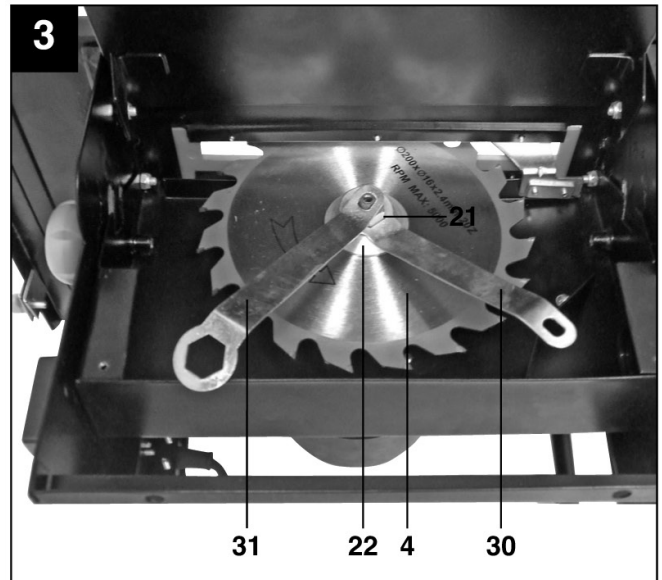
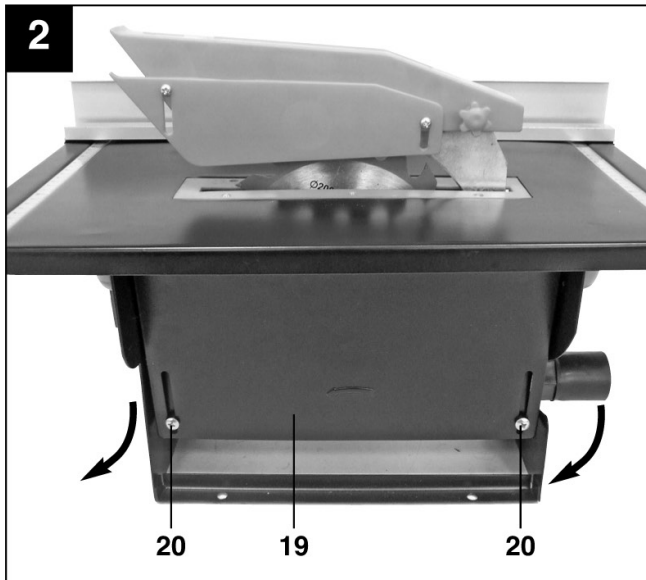
Supply Voltage:	230 V ~ 50 Hz
Power rating:	800 W S2 10 min
Idle speed n0:	2950 rpm
Carbide saw blade:	200 x 16 x 2.4 mm
Number of teeth:	20
Table size:	500 x 335 mm
Cutting height max. 90°:	43 mm
Cutting height max. 45°:	35 mm
Connector for dust extractor:	dia. 35 mm
Size, complete:	500 x 335 x 370 mm
Weight:	13,1 kg

### Load factor:

A load factor of S2 10 min (intermittent periodic duty) means that you may operate the motor continuously at its nominal power level (800 W) for no longer than the time stipulated on the specifications label (10 minutes ON period). If you fail to observe this time limit the motor will overheat. During the OFF period the motor will cool again to its starting temperature.

## 6. Before starting the equipment

- The machine has to be set up where it can stand firmly, e.g. on a work bench, or it must be bolted to a strong stand.
- All the covers and safety devices have to be properly fitted before the machine is switched on.
- It must be possible for the saw blade to run freely.
- When working with wood that has been processed before, watch out for foreign bodies such as nails or screws etc.
- Before you actuate the On/Off switch, make sure that the saw blade is correctly fitted and that the machine's moving parts run smoothly.
- Before you connect the machine to the power supply, make sure the data on the rating plate is the same as that for your mains.



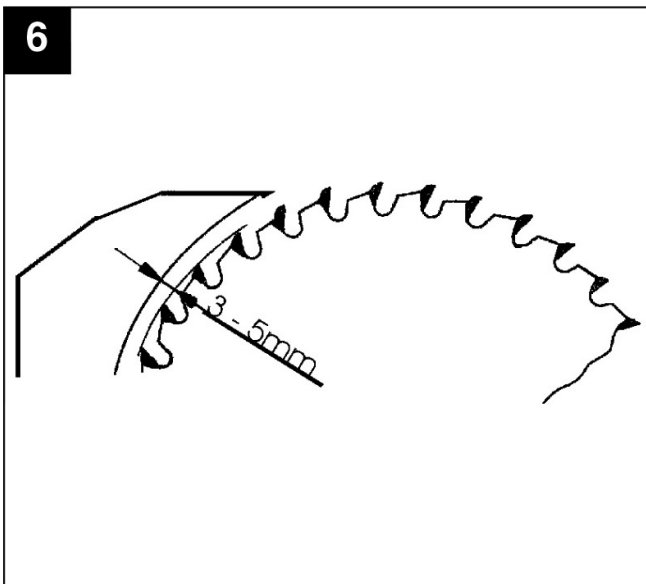
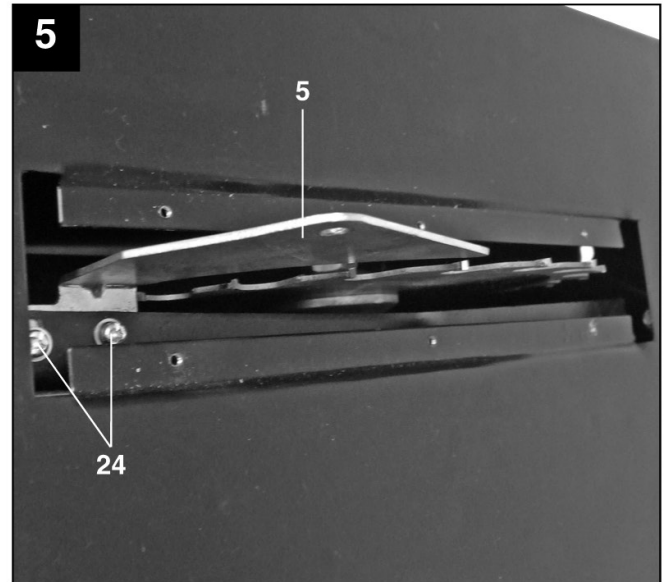
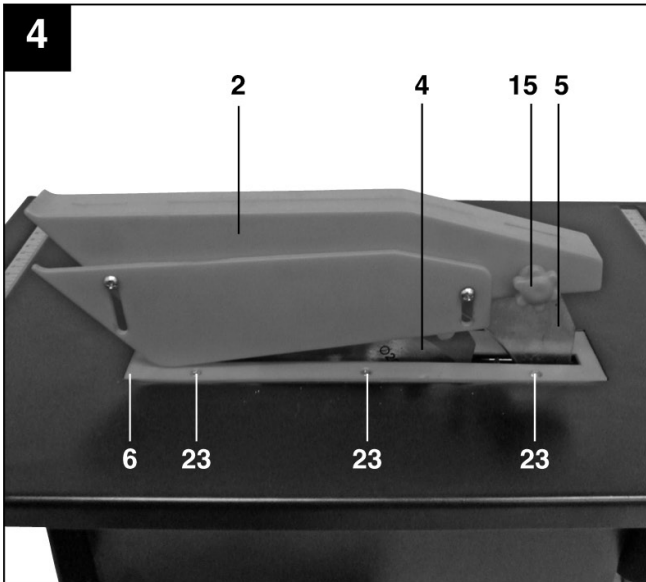
## 7. Assembly

Always pull out the power plug before carrying out any maintenance or conversion work.

### 7.1 Fitting the saw blade (Fig. 2/3)

- Caution! Pull out the power plug.
- Unscrew the fixing screws (20) and remove chip bin cover (19).
- Undo the nut (21) with a ring wrench (30) on the nut itself and a face spanner (31) on the saw shaft to apply counter-pressure.
- Caution! Turn the nut in the direction of rotation of the saw blade (4).
- Take off the outer flange (22) and pull the old saw blade (4) off the inner flange by dropping the blade at an angle.
- Clean the mounting flange.
- Fit the new saw blade in reverse order.
- Caution! Note the direction of rotation (see arrow on the saw blade).

Please note that the saw bench is supplied with the saw blade (4), splitter (5) and the saw blade guard (2) already fitted.



#### 7.2 Adjusting the splitter (Fig. 4-6)

- Remove the saw blade guard (2) (see 7.3).
- Take out the table insert (6) (see 7.4).
- Slacken the two hexagon socket-head screws (24).
- Adjust the splitter (5) so that the gap between the saw blade (4) and the splitter (5) equals 3 - 5 mm (see Fig. 6)
- The splitter (5) has to be in line with the saw blade (4) in longitudinal direction.
- Retighten the two screws (24).
- The setting of the splitter has to be checked each time after changing the saw blade.

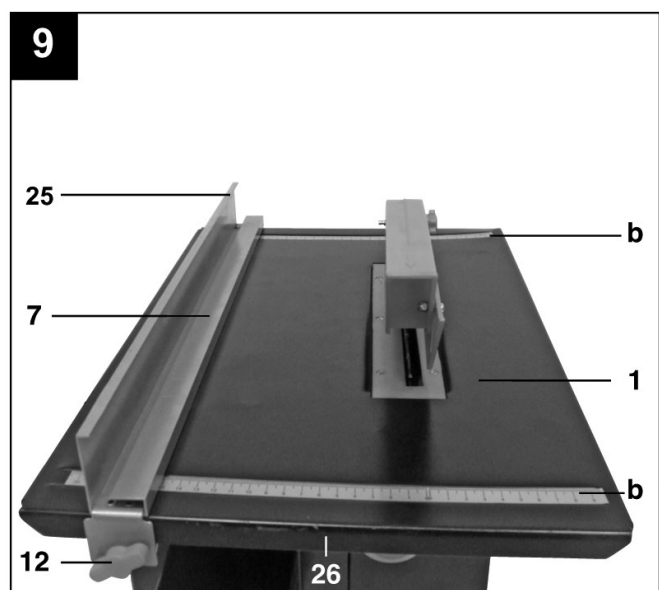
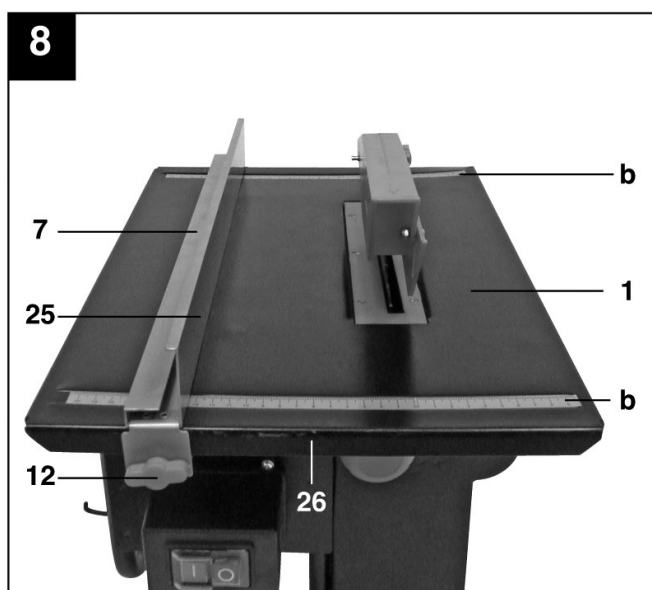
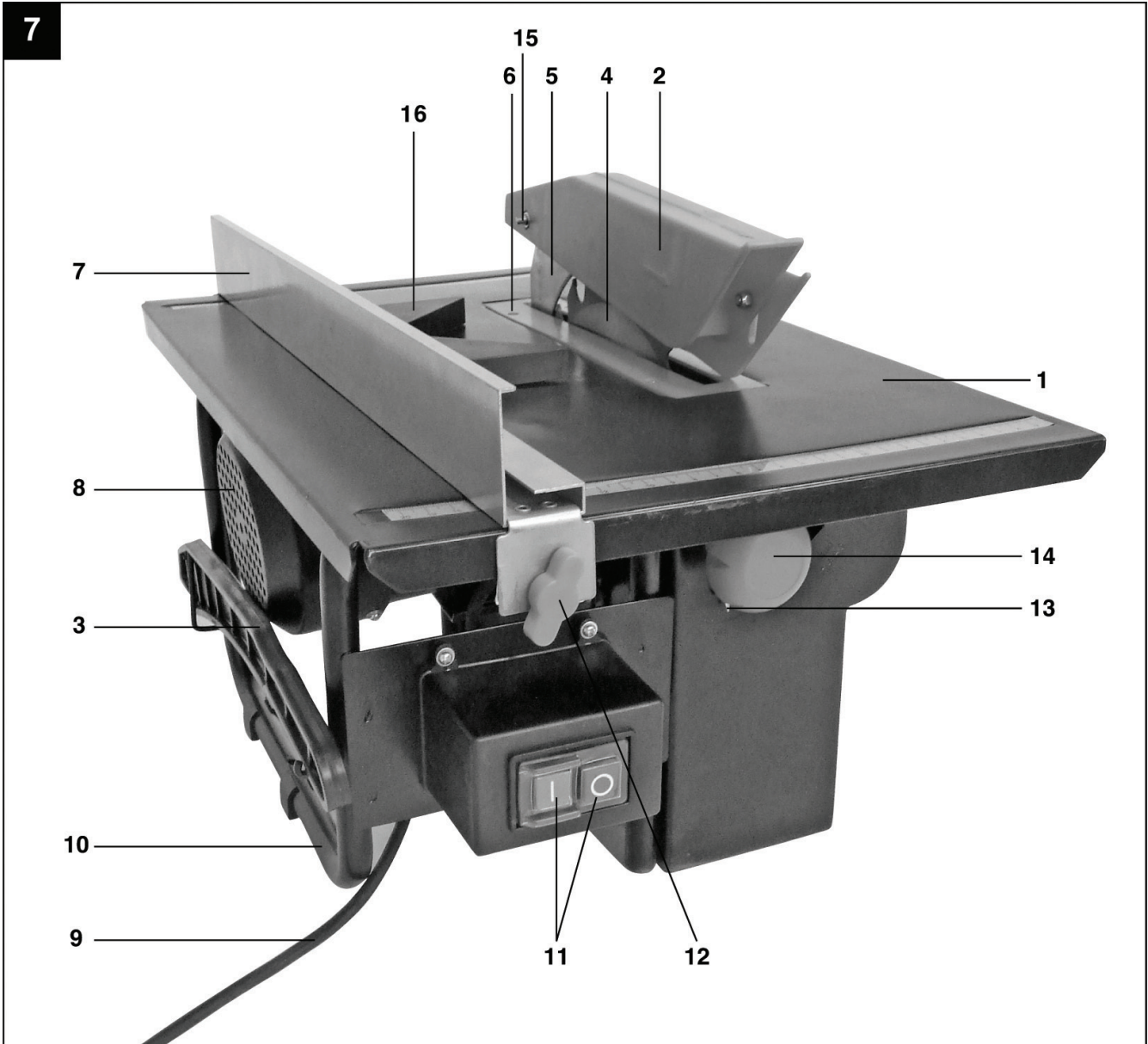
#### 7.3 Fitting the saw blade guard (Fig. 4)

- Mount the saw blade guard (2) on the splitter (5) and align.
- Insert the screw (15) through the hole in the saw blade guard (2) and in the splitter (5) and secure it with the nut.
- To remove the saw blade guard, proceed in reverse order.

#### 7.4 Replacing the table insert (Fig. 4)

- Caution! Pull out the power plug.
- Remove the 6 screws (23).
- Take off the saw blade guard (2) (see 7.3).
- Lift the worn table insert (6) up and out.
- Fit a new table insert in reverse order.





## 8. Using the saw

### 8.1 On/Off switch (Fig. 7 Item 11)

- The saw can be switched on by pressing the green pushbutton “I”.
- The red pushbutton “0” has to be pressed to switch off the saw.

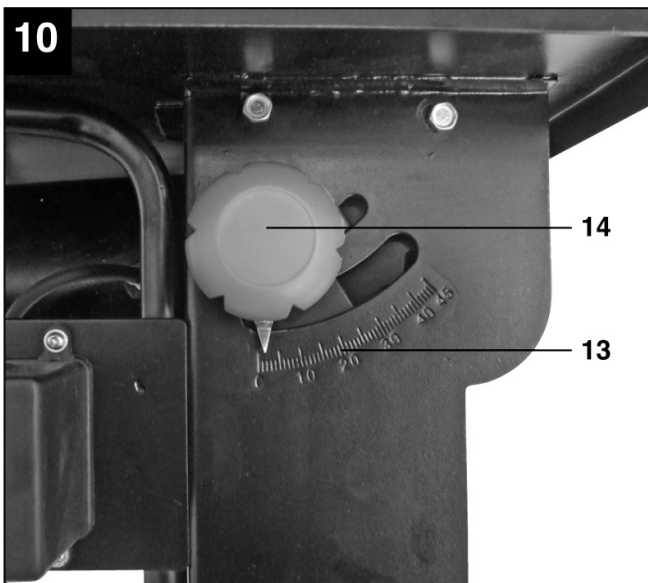
### 8.2 Parallel stop

#### 8.2.1 Stop height (Fig. 7-9)

- The parallel stop (7) supplied with the benchtype circular saw has two different guide faces.
- For thick material you must use the stop rail (25) as shown in Fig. 8, for thin material you must use the stop rail as shown in Fig. 9. When the stop rail is used in this position, the Cross stop (Fig. 1 / Item 16) can also be fitted to the parallel stop.
- To change the height of the stop, slacken the two thumb screws (12) and pull the stop rail off the carrier rail (26).
- Turn the stop rail (25) 180° to the left or the right, depending on the required height of the stop, and plug in back on the carrier rail (26).
- Re-tighten the thumb screws (12).

#### 8.2.2 Cutting width (Fig. 9)

- The parallel stop (7) has to be used when making longitudinal cuts in wooden workpieces.
- Slide the parallel stop (7) to the right or left side of the saw table (1).
- The parallel stop (7) can be set to the required dimension with the help of the scale (b) engraved on the saw table (1).
- Tighten the two thumb screws (12) in order to fix the parallel stop (7).



### 8.3 Adjusting the angle (Fig. 10/11)

- Slacken the star-grip knobs (14).
- You can now adjust the blade (4) to the required Angle (see scale (13)) by sliding the two star-grip knobs.
- Re-tighten the start-grip screws (14).

## 9. Sawing operations

After each new adjustment it is advisable to carry out a trial cut in order to check the set dimensions.

After switching on the saw, wait for the blade to reach its maximum speed of rotation before commencing with the cut.

Secure long workpieces against falling off at the end of the cut (e.g. with a roller stand etc.)

Take extra care when starting the cut!

Never use the equipment without the suction function. Regularly check and clean the suction channels.

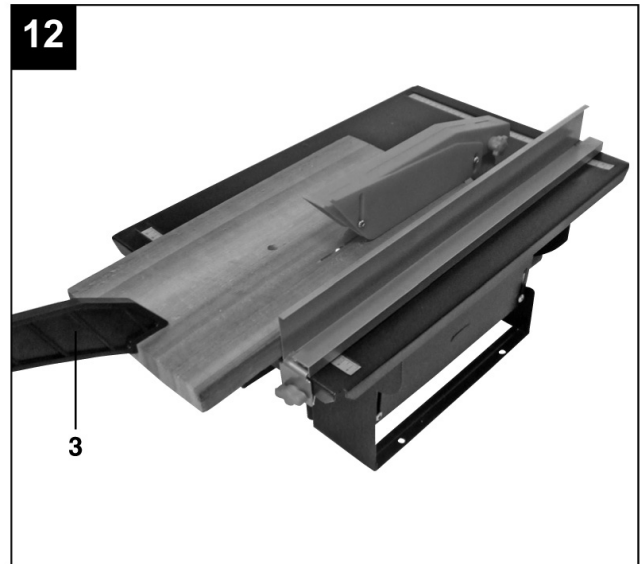
### 9.1 Cutting narrow workpieces (width less than 120 mm) (Fig. 11)

- Adjust the parallel stop (7) to the width of workpiece you require.
- Feed in the workpiece with two hands. Always use the push stick (3) in the area of the saw blade (4). (A push stick is supplied with the saw!)
- Always push the workpiece through to the end of the splitter (5).
- Caution! With short workpieces, use the push stick from the beginning.

### 9.2 Cutting extremely narrow workpieces (width less than 30 mm)

- Adjust the parallel stop (7) to the width of workpiece you require.
- Use the push block (d) to press the workpiece against the stop rail (25) and push the workpiece with the push stick (3) through to the end of the splitter (5).

**There is no push block supplied with the saw!**  
**(Available from your specialist dealer)**





## 10. Cleaning, maintenance and ordering of spare parts

Always pull out the mains power plug before starting any cleaning work.

### 10.1 Cleaning

- Keep all safety devices, air vents and the motor housing free of dirt and dust as far as possible. Wipe the equipment with a clean cloth or blow it with compressed air at low pressure.
- We recommend that you clean the device immediately each time you have finished using it.
- Clean the equipment regularly with a moist cloth and some soft soap. Do not use cleaning agents or solvents; these could attack the plastic parts of the equipment. Ensure that no water can seep into the device.

### 10.2 Carbon brushes

- In case of excessive sparking, have the carbon brushes checked only by a qualified electrician. Important! The carbon brushes should not be replaced by anyone but a qualified electrician.

### 10.3 Maintenance

There are no parts inside the equipment which require additional maintenance.

### 10.4 Ordering replacement parts:

Please quote the following data when ordering replacement parts:

- Type of machine: CX-TS 800
- Article number of the machine: 43.407.65
- Identification number of the machine: 11011
- Replacement part number of the part required

For our latest prices and information please go to [www.einhell.co.uk](http://www.einhell.co.uk)

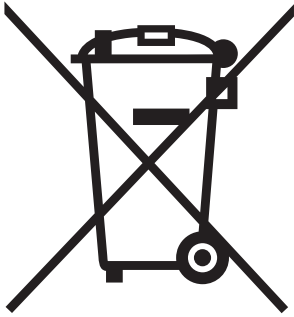
## 11. Disposal and recycling

The unit is supplied in packaging to prevent its being damaged in transit. This packaging is raw material and can therefore be reused or can be returned to the raw material system.

The unit and its accessories are made of various types of material, such as metal and plastic. Defective components must be disposed of as special waste. Ask your dealer or your local council.

## 12. Storage

Store the equipment and accessories out of children's reach in a dark and dry place at above freezing temperature. The ideal storage temperature is between 5 and 30 °C.



Never place any electric tools in your household refuse.

To comply with European Directive 2002/96/EC concerning old electric and electronic equipment and its implementation in national laws, old electric tools have to be separated from other waste and disposed of in an environment-friendly fashion, e.g. by taking to a recycling depot.

Recycling alternative to the demand to return electrical devices:

As an alternative to returning the electrical device, the owner is obliged to cooperate in ensuring that the device is properly recycled if ownership is relinquished. This can also be done by handing over the used device to a returns center, which will dispose of it in accordance with national commercial and industrial waste management legislation. This does not apply to the accessories and auxiliary equipment without any electrical components which are included with the used device.

The reprinting or reproduction by any other means, in whole or in part, of documentation and papers accompanying products is permitted only with the express consent of ISC GmbH.

Technical changes subject to change



## Declaration of Conformity

- D** erkl rt folgende Konformit t gem B EU-Richtlinie und Normen f r Artikel
- GB** explains the following conformity according to EU directives and norms for the following product
- F** d clare la conformit  suivante selon la directive CE et les normes concernant l'article
- I** dichiara la seguente conformit  secondo la direttiva UE e le norme per l'articolo
- NL** verklaart de volgende overeenstemming conform EU richtlijn en normen voor het product
- E** declara la siguiente conformidad a tenor de la directiva y normas de la UE para el art culo
- P** declara a seguinte conformidade, de acordo com a directiva CE e normas para o artigo
- DK** attesterer f lgende overensstemmelse i medf r af EU-direktiv samt standarder for artikel
- S** f rklarar f ljande  verensst mmelse enl. EU-direktiv och standarder f r artikeln
- FI** vakuuttaa, ett  tuote t ytt t  EU-direktiivin ja standardien vaatimukset
- EE** t endab toote vastavust EL direktiivile ja standarditele
- CZ** vyd v  n sleduj c  prohl sen  o shod  podle sm rnice EU a norem pro v robek
- SL** potrjuje slede o skladnost s smernico EU in standardi za izdelke
- SK** vyd v  n sleduj ce prehl senie o zhode podl'a smernice E  a noriem pre v robok
- H** a cikkekhez az EU-ir nyvonal  s Norm k szerint a k vetkez  konformit st jelenti ki
- PL** deklaruje zgodno c wymienionego ponizej artykuu z nast puj cymi normami na podstawie dyrektywy WE.
- BG** deklariра съответното съответствие съгласно Директива на ЕС и норми за артикул
- LV** paskaidro š du atbilst bu ES direkt vai un standartiem
- LT** apib dina š  atitikim  EU reikalavimams ir prek s normoms
- RO** declar  urm toarea conformitate conform directivei UE  i normelor pentru articolul
- GR** dekl ronen t n ak louθη συμμ ρφωση s μφωνα με την Οδηγία ΕΚ και τα πρ τυπα για το πρ οιον
- HR** potvrđuje sljedeću usklađenost prema smjernicama EU i normama za artikl
- BH** potvrđuje sljedeću usklađenost prema smjernicama EU i normama za artikl
- RS** potvrđuje sledeću usklađenost prema smernicama EZ i normama za artikal
- BIS** следующим удостоверяется, что следующие продукты соответствуют директивам и нормам ЕС
- UKR** проголошує про зазначену нижче відповідність виробу директивам та стандартам ЄС на виріб
- MK** ja izjavuva slednata soobraznost согласно E -direktivata i normite za artikli
- TR**  r n  ile ilgili AB direktifleri ve normları gereğince a ağıda a ıklanan uygunluęu belirtir
- N** erkl rer f lgende samsvar i henhold til EU-direktivet og standarder for artikkel
- IS** L sir uppfyllingu EU-reglna og annarra stađla v ru

### Bench-Type Circular Saw CX-TS 800 (Challenge Xtreme)

- 87/404/EC\_2009/105/EC
- 2005/32/EC\_2009/125/EC
- 2006/95/EC
- 2006/28/EC
- 2004/108/EC
- 2004/22/EC
- 1999/5/EC
- 97/23/EC
- 90/396/EC\_2009/142/EC
- 89/686/EC\_96/58/EC
- 2006/42/EC
- Annex IV  
Notified Body: T V Product Service GmbH  
Notified Body No.: 0123  
Reg. No.: M6A 11 05 24192 864
- 2000/14/EC\_2005/88/EC
- Annex V
- Annex VI  
Noise: measured  $L_{WA}$  = dB (A); guaranteed  $L_{WA}$  = dB (A)  
P = KW; L/  = cm  
Notified Body:
- 2004/26/EC  
Emission No.:

Standard references: EN 61029-1; EN 61029-2-1;  
EN 55014-1; EN 55014-2; EN 61000-3-2; EN 61000-3-3

Landau/Isar, den 20.05.2011

Weichselgartner/General Manager

Wentao/Product-Management

First CE: 11  
Art.-No.: 43.407.65 I.-No.: 11011  
Subject to change without notice

Archive-File/Record: NAPR003802  
Documents registrar: Siegfried Roider  
Wiesenweg 22, D-94405 Landau/Isar



## **GUARANTEE CERTIFICATE**

Dear Customer,

In the unlikely event that your device develops a fault, please contact our Customer service department on the telephone number shown below.

1. These guarantee terms cover additional guarantee rights and do not affect your statutory warranty rights. Claims must be accompanied by Proof of Purchase. This must be in the form of a Sales receipt or Bank statement and must show that the product has been purchased within 2 years prior to the claim from the retailer that it was originally sold to.

2. Our guarantee covers problems caused by material or manufacturing defects, and will result in the repair of these defects or replacement of the device with a like for like or similar article. Please note that our devices have not been designed for use in commercial, trade or industrial applications. Consequently, the guarantee is invalidated if the equipment is used in commercial, trade or industrial applications or for other equivalent activities.

3. The following are also excluded from our guarantee:

- A) Faults due to accidents, customer misuse, or unauthorized repairs
- B) Consumable Parts such as Blades/Chains/Trimmer lines/Spools/Vacuum bags/Spark plugs or Filters
- C) Failure due to lack of routine maintenance
- D) Failure as a result of not using the equipment in accordance with the manual and safety instructions
- E) The adjustment or lubrication cables, drive belts, or recoil starters

4. The guarantee is valid for a period of 2 years starting from the purchase date of the device. Guarantee claims should be submitted before the end of the guarantee period within two weeks of the defect being noticed. No guarantee claims will be accepted after the end of the guarantee period. The original guarantee period remains applicable to the device even if repairs are carried out or parts are replaced. In such cases, the work performed or parts fitted will not result in an extension of the guarantee period, and no new guarantee will become active for the work performed or parts fitted. This also applies when an on-site Service is used.

5. Please keep your sales receipt in a safe place. If the defect is covered by our guarantee your device will either be repaired under the terms of guarantee or we will send you a replacement device. This device may be re-conditioned or Like for like replacement.

**EINHELL UK LTD HELPLINE: + 44 151 649 1500**

**REP. IRELAND HELPLINE: 1890 946244**

**ARGOS**

**489-499 AVEBURY BOULEVARD, SAXON GATE WEST, CENTRAL MILTON KEYNES, MK9 2NW**