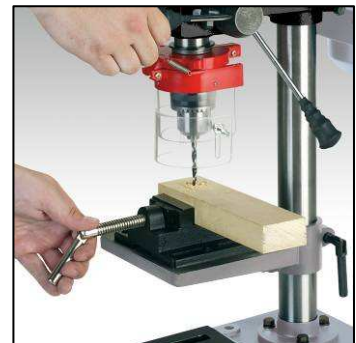




The SB 401/1 precision pillar drill is equipped with a V-belt drive, a continuously height-adjustable, tilting and laterally pivoting drilling table, a ball-raced drill spindle, an ON/OFF switch with no-load function, a contact switch in the V-belt housing, a folding eye shield and a bottom stop.



## SB 401/1 Pillar Drill

Available as special accessory:

Vice:

Art. No.: 42.257.06

Ident. No.: 00010

Bar Code: 4006825 421002



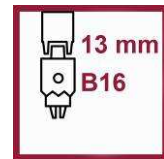
### Logistic Information:

<b>Type:</b>	<b>SB 401/1</b>	<b>Sales unit:</b>	1 pc
<b>Art. No.:</b>	42.504.25	<b>20°:</b>	720 pcs
<b>Ident. No.:</b>	01017	<b>40°:</b>	-- pcs
<b>Bar Code:</b>	4006825 539615	<b>40° HC:</b>	-- pcs
<b>Packing:</b>	435 x 350 x 235 mm	<b>Weight:</b>	18.3 kgs (gross)

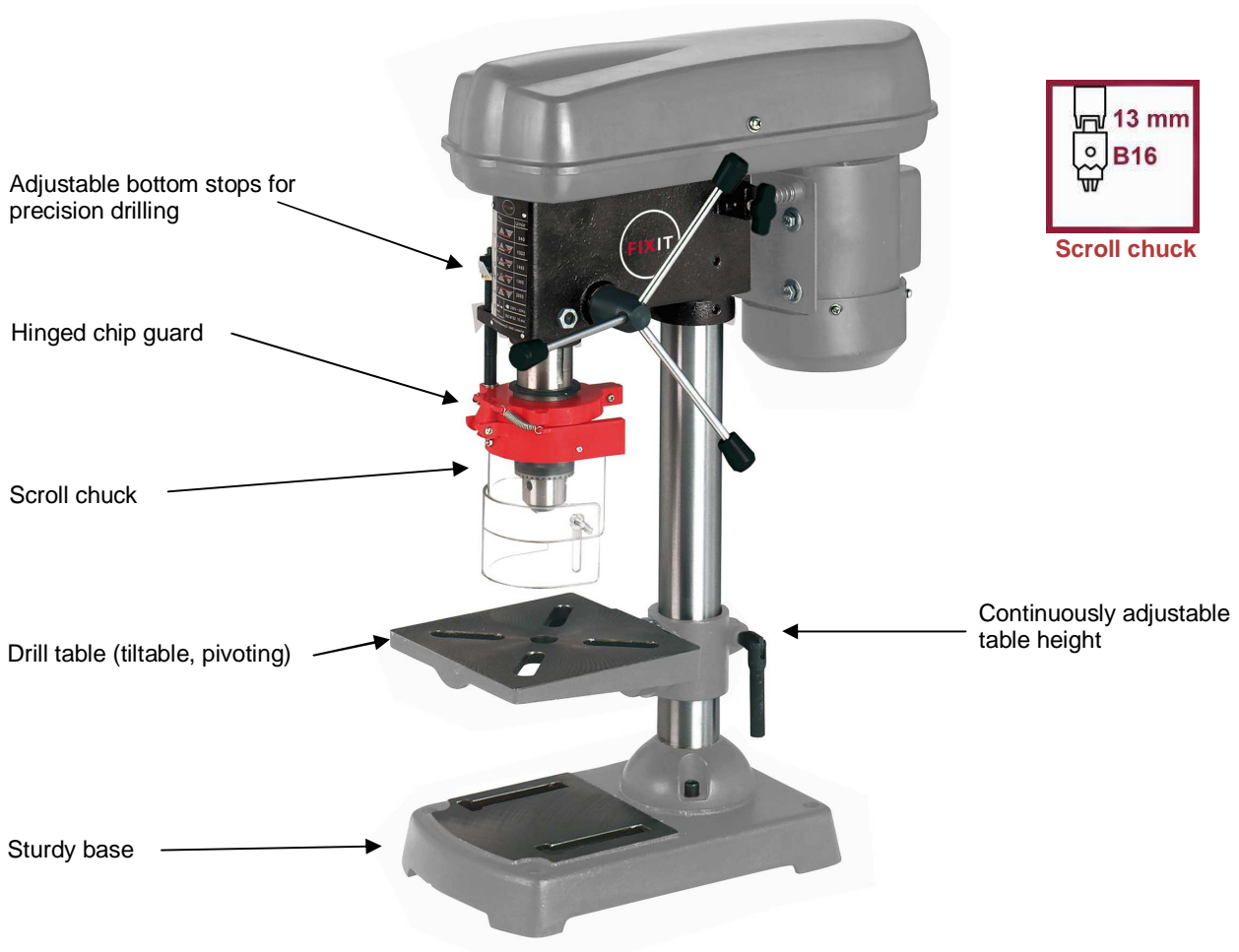


Abbildungen können nicht im Serien-Lieferumfang enthaltenes Zubehör darstellen / Illustrations may contain accessories not included in the standard scope of delivery. Abbildungen ähnlich, produktionsbedingte Abweichung vorbehalten / Illustrations will be similar (in design), production-related modifications reserved without prior notice.

File: S:\shared-pool\Product-Dokumentation\T-Produktbeschreibung\30\_n0t\Originale\_Englisch\_PA04\4250425\_01017.doc  
Erstelldatum/create date: 22.06.2007 09:42:00Aktualisiert/up dated: 28.06.2007



Scroll chuck



**Features:**

- Adjustable bottom stops for precision drilling
- 5-fold speed graduation 580 – 2,650 min<sup>-1</sup>
- Ball-raced drill spindle
- ON/OFF switch with zero voltage-releasing
- Continuously adjustable table height
- Scroll chuck
- Hinged chip guard
- Drill table (tiltable, pivoting)

**Technical Data:**

- Mains: 230 V ~ 50 Hz
- Power: 350 watts (S2 15 min.)
- Motor speed: 1,400 min<sup>-1</sup>
- Spindle speed: 5 step 580 – 2,650 min<sup>-1</sup>
- Drill table adjustment: -45° to +45°
- Scroll chuck: Ø 1.5 to 13 mm
- Drill chuck mount: B16
- Throat: 104 mm
- Max. drill depth: 50 mm
- Pillar diameter: 46 mm
- Size of base table: 290 x 185 mm
- Size of drill table: 160 x 160 mm
- Height: 590 mm

**Logistic Information:**

<b>Type:</b>	<b>SB 401/1</b>	<b>Tool:</b>	<b>Pillar Drill</b>
<b>Art. No.:</b>	42.504.25	<b>Sales unit:</b>	1 pc
<b>Ident. No.:</b>	01017	<b>20`:`:</b>	720 pcs
<b>Bar Code:</b>	4006825 539615	<b>40`:`:</b>	-- pcs
<b>Packing:</b>	435 x 350 x 235 mm	<b>40``HC:</b>	-- pcs
		<b>Weight:</b>	18.3 kgs (gross)



Abbildungen können nicht im Serien-Lieferumfang enthaltenes Zubehör darstellen / Illustrations may contain accessories not included in the standard scope of delivery. Abbildungen ähnlich, produktionsbedingte Abweichung vorbehalten / Illustrations will be similar (in design), production-related modifications reserved without prior notice.

File: S:\shared-pool\Product-Dokumentation\T-Produktbeschreibung\30\_n0\Originale\_Englisch\_PA04\4250425\_01017.doc  
Erstelldatum/create date: 22.06.2007 09:42:00Aktualisiert/up dated: 28.06.2007