

Einhell[®]

TC-LL 2

-
- EN** Original operating instructions
Self-Leveling Cross-Line Laser
- SP** Manual de instrucciones original
Láser de líneas cruzadas
- FR** Traduction du mode d'emploi
d'origine
Laser à lignes croisées

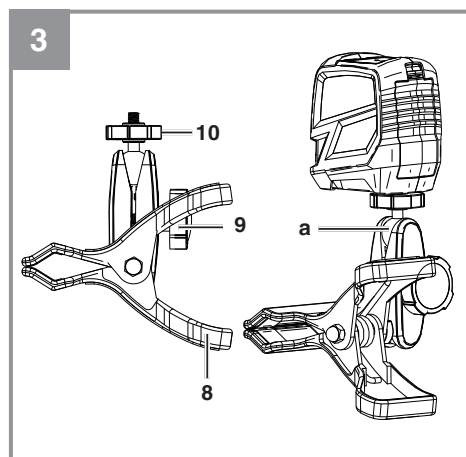
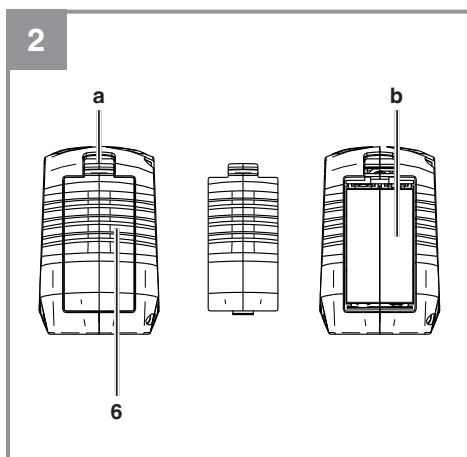
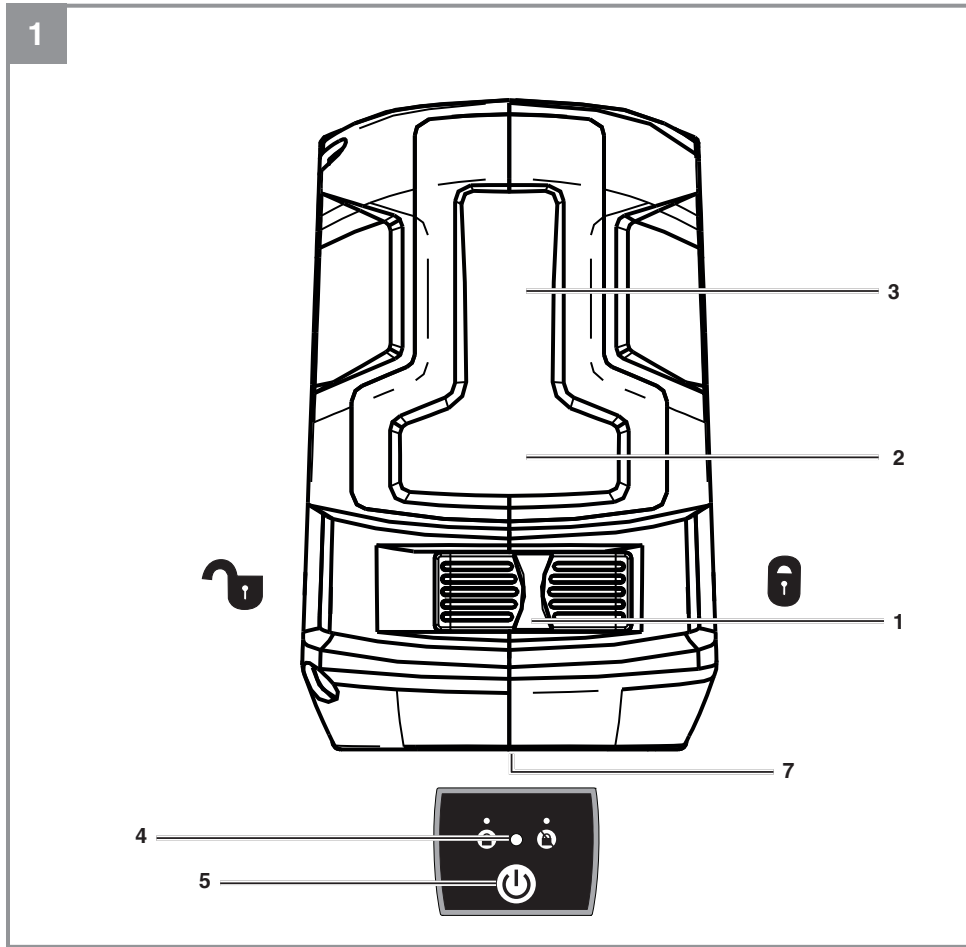


7

Art.-Nr.: 2270107

I.-Nr.: 11018





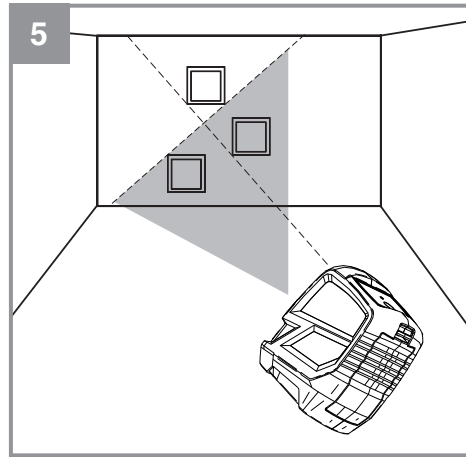
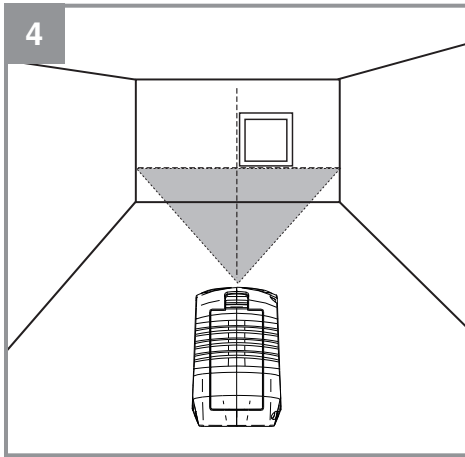


Table of contents

1. Safety information
2. Layout and items supplied
3. Intended use
4. Technical data
5. Before starting the equipment
6. Operation
7. Cleaning, maintenance and ordering spare parts
8. Disposal and recycling
9. Storage

EN



Danger! - Read the operating instructions to reduce the risk of injury

DANGER!

When using the equipment, a number of safety precautions must be observed to avoid injuries and damage. Please read the complete operating instructions and safety information with due care. Keep these operating instructions in a safe place so that the information is available at all times. If you give the equipment to any other person, hand over these operating instructions and the safety information as well. We cannot accept any liability for damage or accidents which arise due to failure to follow these instructions and the safety information.

1. Safety information

DANGER!

Read all the safety information and instructions. Failure to adhere to the safety information and instructions set out below may result in electric shock, fire and/or serious injury. **Keep all the safety information and instructions in a safe place for future use.**

Special information about the laser



Caution: Laser radiation
Do not look into the beam
Laser class II



Complies with 21 CFR 1040.10 and 1040.11 except for deviations pursuant to Laser Notice No.50, dated June 24/2007

- Never look directly into the laser path.
- Never direct the laser beam at reflecting surfaces or persons or animals. Even a low output laser beam can inflict injury on the eye.
- **Caution:** Use of controls or adjustments or performance of procedures other than those specified herein may result in hazardous radiation exposure.

- Never open the laser module.
- It is prohibited to carry out any modifications to the laser to increase its power.
- The manufacturer cannot accept any liability for damage due to non-observance of the safety information.

Safety information on the batteries

Use of the batteries

- Inserting the batteries when the laser is switched on can cause accidents.
- If the equipment is not used correctly, the batteries may leak. Avoid contact with the battery fluid. If you come into contact with battery fluid, clean the affected body part with running water. If you get battery fluid in your eyes, seek immediate medical assistance.
- Escaped battery fluid can cause skin irritation and acid burns.
- Never expose the batteries to excess heat such as sunshine, fire or similar.
- Never recharge batteries that are not suitable for recharging. There is a risk of explosion!
- Keep batteries away from children, do not short circuit batteries or disassemble.
- Seek a doctor's advice immediately if a battery is swallowed.
- If necessary, clean the contacts on the battery and equipment before inserting the batteries.
- Ensure that you insert the batteries the right way round.
- Remove flat batteries immediately from the equipment. There is an increased risk of leakage.
- Always change all batteries in one go.
- Insert only batteries of the same type, do not use different types of batteries or used and new batteries together.
- Make sure that the equipment is switched off after use.
- Remove the batteries if the equipment is not used over a longer period.

Keep this safety information in a safe place.

2. Layout and items supplied

2.1 Layout (Fig. 1-3)

1. On/Off switch (blocking the laser)
2. Horizontal laser
3. Vertical laser
4. LED display
5. Laser line selector button
6. Battery compartment cover
7. ¼ inch female thread
8. Universal clamp
9. Adjusting screw
10. ¼ inch male thread with wheel

2.2 Items supplied

Please check that the article is complete as specified in the scope of delivery. If parts are missing, please contact our service center or the store where you made your purchase at the latest within 5 work days after purchasing the article and upon presentation of a valid bill of purchase.

- Open the packaging and take out the equipment with care.
- Remove the packaging material and any packaging and/or transportation braces (if present).
- Check to see if all the items are supplied.
- Inspect the equipment and accessories for transport damage.
- If possible, keep the packaging until the end of the guarantee period.

Danger!

The equipment and packaging material are not toys. Do not let children play with plastic bags, plastic sheets and small parts. There is a risk of choking and suffocating!

- Cross-line laser
- Mounting
- Bag
- Original operating instructions
- Safety information

3. Intended use

The cross-line laser uses lasers to project lines onto the wall and is therefore designed for aligning objects such as tiles, windows, doors or pictures.

The equipment is allowed to be used only for its prescribed purpose. Any other use is deemed to be a case of misuse. The user/operator and not the manufacturer will be liable for any damage or injuries of any kind resulting from such misuse.

Please note that our equipment has not been designed for use in commercial, trade or industrial applications. Our warranty will be voided if the equipment is used in commercial, trade or industrial businesses or for equivalent purposes.

4. Technical data

Power supply: 2 x 1.5 V; type AA (LR06)
 Self-leveling range: ± 4°
 Accuracy: ± 3/16 -in. @ 30-ft (± 0.5 mm/m)
 Work range: 26 ft (8 m)
 Wavelength of vertical laser: 635 nm
 Wavelength of horizontal laser: 635 nm
 Laser class: II
 Output power: < 1 mW
 Weight: 0.44 lbs (0.2 kg)

This standard applies to equipment designed to be safe at least under the following conditions:

- a) Indoor use
- b) Altitude up to ~6500ft (2000m)
- c) Temperatures 41°F – 104°F (5°C – 40°C)
- d) Maximum relative humidity 80%
 for temperatures up to 88°F (31°C)
 decreasing linearly to 50% relative humidity at 104°F (40°C)

5. Before starting the equipment

5.1 Inserting batteries (Fig. 2)

- Turn off the equipment using the ON/OFF switch (1)
- Open the battery compartment cover (6) by pressing the nib (a) down.
- Insert the batteries (b), ensuring that you fit them the right way round.

- Close the battery compartment cover (6) again, making sure that it locks securely
- If the LED indicator flashes red continuously even though the device is upright, this means that the batteries are flat. Replace them as described above.

5.2 Using the universal clamp (Fig. 3/Item 8)

You can fasten the supplied universal clamp (8) to a table, shelf or similar object by clamping it in position.

To fit the equipment to the universal clamp, proceed as follows:

- Place the equipment by the female thread (7) on the base of the equipment onto the male thread (10) of the universal clamp (8)
- Screw the equipment to the mounting with the help of the wheel
- Using the adjusting screw (9) and the ball joints (a), you can tilt the equipment to the angle you require

To disassemble, proceed in reverse order

6. Operation

6.1 Switching On/Off (Fig. 1)

Switching on:

- Place the laser on a flat surface or fit it to the universal clamp and fasten it as described in 5.2.
- To switch the laser on, push the On/Off switch to the left (viewed from the front). The lasers switch on, the green LED (4) comes on and the pendulum will no longer be blocked, which means the laser can be aligned.
- Press the button (5) to display or hide the vertical or horizontal lines again individually.

Switching off:

To switch off, push the On/Off switch back to the position on the right (viewed from the front). The lasers switch off and the pendulum will be blocked.

Important!

To prevent damage during transport or storage, the equipment must always be switched off as described above.

6.2 Automatic alignment of the laser (Fig. 4)

After the laser has been switched on with the On/Off switch (1), the lasers are aligned automatically by the pendulum so that the vertical and horizontal lines are displayed level on the wall. (See Fig. 4)

Press the button (5) to display or hide the vertical or horizontal line individually.

Important!

Make sure that the equipment is never tilted more than 4 degrees or stands at an angle. If this is the case, the laser beams will flash and the LED (4) will light up red.

6.3 Manual alignment of the laser (Fig. 5)

The laser can also be aligned manually, to enable a diagonal line to be displayed. Proceed as follows:

- Place the laser on a flat surface or fit it to the universal clamp and fasten it as described in 5.2.
- To switch the equipment on, push the On/Off switch (1) to the left (viewed from the front).
- Wait until the lasers are aligned and then move the On/Off switch (1) back to the right.
- Now press the button (5). The lasers switch on and the LED (4) lights up red, because the pendulum is blocked.
- Now you can tilt the laser to the angle you require, so that the lines are displayed diagonally on the wall. (See Fig. 5)
- Press the button (5) to hide or display the vertical or horizontal line individually or to switch the equipment off again.

7. Cleaning, maintenance and ordering spare parts

7.1 Cleaning

- Keep all safety devices, air vents and the motor housing free of dirt and dust as far as possible. Wipe the equipment with a clean cloth or blow it down with compressed air at low pressure.
- We recommend cleaning the equipment immediately each time after use.
- Clean the equipment regularly with a damp cloth and some soft soap. Do not use cleaning agents or solvents; these may be aggressive to the plastic parts in the equipment. Ensure that no water can get into

the interior of the equipment. The ingress of water into an electric power tool increases the risk of an electric shock.

7.2 Maintenance

There are no other parts inside the equipment which require maintenance.

7.3 Ordering replacement parts: Service

1. **If your power tool requires service, contact an authorized Einhell USA dealer or call the Einhell USA customer service center at 1-866-EINHELL (1-866-346-4355).** Only identical replacement parts should be utilized for repairs. This will ensure that the safety of the power tool is maintained.
2. **If the battery charger cable is damaged, it must be immediately replaced to avoid a hazard.** Contact the Einhell USA® customer service center at 1-866-EINHELL (1-866-346-4355) for assistance.

8. Disposal and recycling

The equipment is supplied in packaging to prevent it from being damaged in transit. The raw materials in this packaging can be reused or recycled. The equipment and its accessories are made of various types of material, such as metal and plastic. Never place defective equipment in your household refuse. The equipment should be taken to a suitable collection center for proper disposal. If you do not know the whereabouts of such a collection point, you should ask in your local council offices.

Battery Caution + Disposal

Disposal

Should your appliance need replacement after extended use, do not dispose of it with the household refuse, but in an environmentally safe way.



Waste produced by electrical machine items should not be handled like normal household rubbish. Please recycle where recycle facilities exist. Check with your local authority or retailer for recycling advice.

Always dispose of your battery pack according to federal, state, and local regulations. Contact a recycling agency in your area for recycling

locations.

⚠ CAUTION! Even discharged battery packs contain some energy. Before disposing, use electrical tape to cover the terminals to prevent the battery pack from shorting, which could cause a fire or explosion.

⚠ WARNING! To reduce the risk of injury or explosion, never burn or incinerate a battery pack even if it is damaged, dead, or completely discharged. When burned, toxic fumes and materials are emitted into the surrounding atmosphere.

1. Batteries vary according to device. Consult your manual for specific information.
2. Install only new batteries of the same type in your product (where applicable).
3. Failure to insert batteries in the correct polarity, as indicated in the battery compartment or manual, may shorten the life of the batteries or cause batteries to leak.
4. Do not mix old and new batteries.
5. Do not mix Alkaline, Standard (Carbon-Zinc), or Rechargeable (Nickel Cadmium, Nickel Metal Hydride, or Lithium-Ion) batteries.
6. Do not dispose of batteries in fire.
7. Batteries should be recycled or disposed of as per state and local guidelines.

When shipping or disposing of batteries and cordless tools, always ensure that they are packed individually in plastic bags to prevent short circuits and fires.

9. Storage

Store the equipment and its accessories out of children's reach in a dark and dry place at above freezing temperature. The ideal storage temperature is between 41°F and 86°F (5°C and 30°C). Keep the electric tool in its original packaging.

The reprinting or reproduction by any other means, in whole or in part, of documentation and papers accompanying the products is strictly subject to the express consent of iSC GmbH.

Subject to technical changes

Einhell

EINHELL CUSTOMER PROMISE

QUALITY COMES FIRST. The Einhell name is synonymous with high-performance tools and high-quality European craftsmanship. From cordless screwdrivers to electric lawn mowers, Einhell USA designs and develops state-of-the-art handheld power and garden tools for DIY enthusiasts, hobby gardeners, and handymen.

Einhell USA's quality assurance and engineering teams ensure products are subjected to stringent quality and performance tests. We know that sometimes tough tools go through tough times. In the event that you should experience any issue with your product, you have our commitment that we'll do everything we can to get you back a tool that's ready to work as hard as you do.

PRODUCT REGISTRATION:

Einhell strongly encourages you to register your purchase. You can register online at **EinhellUSA.com**. Failure to register your product purchase will not diminish your warranty rights. However, registering your purchase will allow Einhell to better serve you with any of your customer service needs.

WHAT IS COVERED?

Einhell warrants to the owner that if this Machine fails within 2 years from the date of purchase due to a defect in material or workmanship or as a result of normal wear and tear from ordinary household use, Einhell will send a replacement part or product, as needed, free of charge and with free shipping to the original purchaser. If, in Einhell's sole discretion, the failed Machine cannot be repaired with a part, Einhell will elect to either (A) send a new Machine at no charge and with free shipping or (B) refund the full purchase price to the owner.

WHO CAN SEEK WARRANTY COVERAGE?

This Warranty is extended by Einhell to the owner of this Machine (a "Machine" consists of a product powered by a motor) for residential and personal household use only. This warranty is limited to thirty (30) days from the start of original purchase of any EINHELL brand product that is used for commercial purposes, or any other income-producing purpose. Should ownership of this machine change during the coverage period, please update the Machine's owner information at **EinhellUSA.com**

WHAT IS NOT COVERED?

This warranty does not cover any product that has been subject to misuse, neglect, negligence, or accident, or that has been operated in any way contrary to the operating instructions as specified in the operator's manual. This Warranty does not cover cosmetic changes that do not affect performance.

This Warranty is only valid if the Machine is used and maintained in accordance with the instructions, warnings and safeguards contained in the owner's manual. Einhell will not be responsible for the cost of any unauthorized warranty repairs. This warranty does not cover any cost or expense incurred by the purchaser in providing substitute equipment or service during reasonable periods of malfunction or non-use of this product while waiting for a replacement part or unit under this warranty.

Wearing parts like belts, augers, chains and tines are not covered under this warranty, and can be purchased at **EinhellUSA.com** or by calling **1-866-EINHELL (1-866-346-4355)**. Batteries are covered in full for 90-days from the date of purchase.

Repair, replacement or refund of the purchase price are the exclusive remedies of purchaser and the sole liability of Einhell under this warranty. No employee or representative of Einhell is authorized to make any additional warranty or any modification to this warranty which may be binding upon Einhell. Accordingly, purchaser should not rely upon any additional statements made by any employee or representative of Einhell. In no event, whether based on contract, indemnity, warranty, tort (including negligence), strict liability or otherwise, shall Einhell be liable for any special, indirect, incidental, or consequential damages, including, without limitation, loss of profit or revenue.

Some states do not allow limits on warranties. In such states, the above limitations may not apply to you.

Outside the USA and Canada, other warranties may apply.

Índice de contenidos

1. Instrucciones de seguridad
2. Descripción del aparato y volumen de entrega
3. Uso adecuado
4. Características técnicas
5. Antes de la puesta en marcha
6. Manejo
7. Mantenimiento, limpieza y pedido de piezas de repuesto
8. Eliminación y reciclaje
9. Almacenamiento

SP



Peligro! - Leer el manual de instrucciones para reducir cualquier riesgo de sufrir daños

Peligro!

Al usar aparatos es preciso tener en cuenta una serie de medidas de seguridad para evitar lesiones o daños. Por este motivo, es preciso leer atentamente este manual de instrucciones/advertencias de seguridad. Guardar esta información cuidadosamente para poder consultarla en cualquier momento. En caso de entregar el aparato a terceras personas, será preciso entregarles, asimismo, el manual de instrucciones/advertencias de seguridad. No nos hacemos responsables de accidentes o daños provocados por no tener en cuenta este manual y las instrucciones de seguridad.

1. Instrucciones de seguridad**Peligro!**

Lea todas las instrucciones de seguridad e indicaciones. El incumplimiento de dichas instrucciones e indicaciones puede provocar descargas, incendios y/o daños graves. **Guarde todas las instrucciones de seguridad e indicaciones para posibles consultas posteriores.**

Advertencias especiales sobre el láser

Cuidado: Radiación láser
No mirar directamente el trayecto del rayo
Clase de láser II



Cumple 21 CFR 1040.10 y 1040.11 excepto las desviaciones conforme a la norma Laser Notice núm. 50 del 24 de junio de 2007

- Nunca mirar directamente el canal de salida del rayo.
- No dirigir nunca el rayo láser a superficies reflectantes, ni tampoco a personas ni animales. Incluso un rayo láser de baja potencia puede provocar lesiones oculares.

- Atención: si no se siguen estas instrucciones al pie de la letra se podría producir una exposición peligrosa a las radiaciones.
- Jamás abrir el módulo láser.
- No se permite realizar modificaciones en el láser para aumentar la potencia del láser.
- El fabricante no asume ninguna responsabilidad por los daños resultantes de la no observancia de las advertencias de seguridad.

Instrucciones de seguridad para las pilas
Utilización de las pilas

- Introducir las pilas con el láser encendido puede provocar accidentes.
- Si las pilas no se utilizan adecuadamente, su líquido podría derramarse. Evitar el contacto con el líquido de las pilas. En caso de que una parte de su cuerpo entre en contacto con el líquido de las pilas, limpiarla con agua corriente. En caso de que el líquido de las pilas entre en contacto con los ojos, es imprescindible además acudir inmediatamente a un médico.
- El líquido puede provocar irritaciones o quemaduras.
- No exponer las pilas a un calor excesivo ni a la radiación solar, el fuego o similares.
- Nunca cargar pilas que no sean recargables. ¡Peligro de explosión!
- Mantener las pilas fuera del alcance los niños, no cortocircuitarlas, ni abrirlas.
- En caso de ingerir una pila, acudir inmediatamente a un médico.
- Cuando sea necesario, limpiar los contactos de las pilas y de los aparatos antes de introducirlos.
- Asegurarse de introducirlos con la polaridad correcta.
- Extraer inmediatamente las pilas gastadas del aparato. En caso contrario, existe un gran peligro de que se derrame el líquido.
- Cambiar siempre todas las pilas a la vez.
- Introducir solamente baterías del mismo tipo, no utilizar tipos diferentes o mezclar pilas usadas con nuevas.
- Asegurarse de apagar el aparato después de usarlo.
- Retirar las pilas cuando el aparato no vaya a utilizarse durante un largo tiempo.

Guardar las instrucciones de seguridad en lugar seguro.

2. Descripción del aparato y volumen de entrega

2.1 Descripción del aparato (fig. 1-3)

1. Interruptor ON/OFF (bloqueo del láser)
2. Láser horizontal
3. Láser vertical
4. Indicación LED
5. Selector líneas de láser
6. Tapa del compartimento de pilas
7. Rosca interior de ¼ pulgadas
8. Abrazadera universal
9. Tornillo de reglaje
10. Rosca exterior de ¼ pulgadas con rueda giratoria

2.2 Volumen de entrega

Sirviéndose de la descripción del volumen de entrega, comprobar que el artículo esté completo. Si faltase alguna pieza, dirigirse a nuestro Service Center o a la tienda especializada más cercana en un plazo máximo de 5 días laborales tras la compra del artículo presentando un recibo de compra válido.

- Abrir el embalaje y extraer cuidadosamente el aparato.
- Retirar el material de embalaje, así como los dispositivos de seguridad del embalaje y para el transporte (si existen).
- Comprobar que el volumen de entrega esté completo.
- Comprobar que el aparato y los accesorios no presenten daños ocasionados durante el transporte.
- Si es posible, almacenar el embalaje hasta que transcurra el periodo de garantía.

Peligro!

¡El aparato y el material de embalaje no son un juguete! ¡No permitir que los niños jueguen con bolsas de plástico, láminas y piezas pequeñas! ¡Riesgo de ingestión y asfixia!

- Láser de líneas cruzadas
- Soporte
- Bolsa
- Manual de instrucciones original
- Instrucciones de seguridad

3. Uso adecuado

El láser de líneas cruzadas proyecta con ayuda de láseres líneas en la pared y, por ello, está indicado para alinear, por ejemplo, baldosas, ventanas, puertas o cuadros.

Utilizar la máquina sólo en los casos que se indican explícitamente como de uso adecuado. Cualquier otro uso no será adecuado. En caso de uso inadecuado, el fabricante no se hace responsable de daños o lesiones de cualquier tipo; el responsable es el usuario u operario de la máquina.

Tener en consideración que nuestro aparato no está indicado para un uso comercial, industrial o en taller. No asumiremos ningún tipo de garantía cuando se utilice el aparato en zonas industriales, comerciales o talleres, así como actividades similares.

4. Características técnicas

Alimentación de corriente: 2 x 1,5 V; Tipo AA (LR06)
 Margen de autonivelación: ± 4°
 Precisión: ± 3/16 -plg. @ 30-ft (± 0.5 mm/m)
 Área de trabajo: 26 ft (8 m)
 Longitud de onda láser vertical: 635 nm
 Longitud de onda láser horizontal: 635 nm
 Clase de láser: II
 Tensión de salida: < 1 mW
 Peso: 0.44 lb (0.2 kg)

Esta norma se aplica a equipos diseñados para ser seguros al menos en las siguientes condiciones:

- a) **Uso en interiores**
- b) **Altura hasta ~6500 ft (2000 m)**
- c) **Temperaturas 41°F – 104°F (5°C – 40°C)**
- d) **Humedad relativa máxima del 80% para temperaturas hasta 88°F (31°C), disminuye linealmente al 50% de humedad relativa a 104°F (40°C)**

5. Antes de la puesta en marcha

5.1 Cómo colocar las pilas (fig. 2)

- Apagar el aparato con ayuda del interruptor ON/OFF (1).
- Abrir la tapa del compartimento de pilas (6) presionando el saliente (a) hacia abajo.
- Introducir las pilas (b) asegurando que la polaridad sea correcta.
- Cerrar la tapa del compartimento de pilas (6) asegurándose de que se enclava.

Si el LED parpadea en rojo de manera continua a pesar de que el aparato está en posición vertical, quiere decir que las pilas están vacías. Cambiarlas como se describe más arriba.

5.2 Emplear la abrazadera universal (fig. 3/ pos. 8)

La abrazadera universal suministrada (8) se puede fijar a mesas, estantes, etc.

Para montar el aparato en la abrazadera universal, proceder de la siguiente manera:

- Poner el aparato con la rosca interior (7) en la parte inferior del aparato sobre la rosca exterior (10) de la abrazadera universal (8).
- Con ayuda de la rueda giratoria, atornillar el aparato al soporte.
- Con ayuda del tornillo de ajuste (9) y de las articulaciones esféricas (a) el aparato se puede ajustar a la inclinación deseada.

El desmontaje se lleva a cabo realizando la misma secuencia pero en sentido contrario

6. Manejo

6.1 Conexión/desconexión (fig. 1)

Conexión:

- Poner el láser sobre una superficie plana o montarlo en la abrazadera universal y fijarlo como se describe en el apartado 5.2.
- Conectar el láser desplazando el interruptor ON/OFF hacia la izquierda (visto desde delante). El láser se enciende, el LED (4) se ilumina en verde y el péndulo deja de estar bloqueado de manera que el láser se puede dirigir.
- Pulsar la tecla (5) para apagar o volver a encender individualmente la línea vertical u horizontal.

Apagar:

Para desconectar, desplazar el interruptor ON/OFF de nuevo hacia la derecha (visto desde delante). El láser se apaga y el péndulo se bloquea.

¡Advertencia!

Para evitar daños en el transporte o almacenamiento, apagar el aparato siempre como se describe arriba.

6.2 Ajuste automático del láser (fig. 4)

Después de la conexión con ayuda del interruptor ON/OFF (1), los láseres se ajustan automáticamente a través del péndulo, de manera que en la pared se proyectan la línea vertical y horizontal equilibradas. (Véase fig. 4)

Pulsar la tecla 5 para apagar o volver a encender individualmente la línea vertical u horizontal.

¡Advertencia!

Asegurarse de que el aparato no se incline más de 4° ni se coloque en diagonal. En este caso, los rayos del láser parpadean y el LED (4) se ilumina en rojo.

6.3 Ajuste manual del láser (fig. 5)

El láser se puede ajustar también manualmente de manera que se muestre una línea diagonal. Para ello proceder como sigue:

- Poner el láser sobre una superficie plana o montarlo en la abrazadera universal y fijarlo como se describe en el apartado 5.2.
- Conectar el aparato desplazando el interruptor ON/OFF (1) hacia la izquierda (visto desde delante).
- Esperar a que los láseres se hayan ajustado y volver a poner el interruptor ON/OFF (1) hacia la derecha.
- Pulsar ahora la tecla (5). Los láseres se encienden y el LED (4) se ilumina en color rojo puesto que el péndulo está bloqueado.
- Ahora se podrá inclinar el láser en el ángulo deseado de manera que se muestren las líneas diagonalmente en la pared. (Véase la figura 5)
- Pulsar la tecla (5) para apagar y encender individualmente la línea vertical u horizontal o para volver a apagar el aparato.

7. Mantenimiento, limpieza y pedido de piezas de repuesto

7.1 Limpieza

- Reducir al máximo posible la suciedad y el polvo en los dispositivos de seguridad, las rendijas de ventilación y la carcasa del motor. Frotar el aparato con un paño limpio o soplarlo con aire comprimido manteniendo la presión baja.
- Se recomienda limpiar el aparato tras cada uso.
- Limpiar el aparato con regularidad con un paño húmedo y un poco de jabón blando. No utilizar productos de limpieza o disolventes ya que se podrían deteriorar las piezas de plástico del aparato. Es preciso tener en cuenta que no entre agua en el interior del aparato. Si entra agua en el aparato eléctrico existirá mayor riesgo de una descarga eléctrica.

7.2 Mantenimiento

No hay que realizar el mantenimiento a más piezas en el interior del aparato.

7.3 Pedido de piezas de repuesto:

Servicio

1. **Si su herramienta eléctrica necesita servicio, póngase en contacto con un distribuidor autorizado de Einhell USA o llame al centro de atención al cliente de Einhell USA 1-866-EINHELL (1-866-346-4355).** Utilice exclusivamente piezas de repuesto idénticas para las reparaciones. Solo así se podrá mantener la seguridad de la herramienta eléctrica.
2. **Si el cable del cargador está dañado, cámbielo de inmediato para evitar peligros.** Si necesita asistencia, llame al centro de atención al cliente de Einhell USA® al 1-866-EINHELL (1-866-346-4355).

8. Eliminación y reciclaje

El aparato está protegido por un embalaje para evitar daños producidos por el transporte. Este embalaje es materia prima y, por eso, se puede volver a utilizar o llevar a un punto de reciclaje. El aparato y sus accesorios están compuestos de diversos materiales, como, p. ej., metal y plástico. Los aparatos defectuosos no deben tirarse a la basura doméstica. Para su eliminación adecuada, el aparato debe entregarse a una entidad recolectora prevista para ello. En caso de no conocer ninguna, será preciso informarse en el organismo responsable del municipio.

Precaución y eliminación de la batería

Eliminación

Si su artefacto necesita ser reemplazado luego de un uso prolongado, no lo arroje a la basura doméstica. Hágalo de una forma ecológica y segura.



Los desechos producidos por máquinas eléctricas no deben ser manipulados como basura doméstica común. Recíclelos donde hayan emplazamientos de reciclaje. Consulte con las autoridades o tienda minorista de su localidad para obtener información sobre reciclaje.

Deshágase de su batería de acuerdo con los reglamentos federales, estatales y locales. Para encontrar lugares de reciclaje, comuníquese con un servicio de reciclaje en su localidad.

⚠ ¡PRECAUCIÓN! Incluso las baterías descargadas contienen algo de energía. Antes de deshacerse de éstas, use cinta aislante para cubrir los terminales y evitar que la batería haga cortocircuito, lo cual puede causar una explosión o incendio.

⚠ ¡ADVERTENCIA! Para reducir el riesgo de lesiones personales o explosión, nunca queme o incinere una batería incluso si está dañada, inservible o completamente descargada. Al ser quemada, los humos y materiales tóxicos son emitidos a la atmósfera circundante.

1. Las baterías varían de acuerdo al dispositivo. Consulte su manual para obtener la información específica.
2. Instale solo nuevas baterías del mismo tipo en su producto (donde corresponda).
3. No insertar las baterías con la polaridad correcta, tal como se indica en el compartimiento de la batería o en el manual, puede reducir el ciclo de vida útil de las

- baterías o causar fugas en las baterías.
4. No combine baterías nuevas con antiguas.
 5. No combine baterías alcalinas, estándar (de zinc-carbono) o recargables (de níquel-cadmio, de níquel-hidruro metálico o de iones de litio).
 6. No arroje las baterías al fuego. Pueden llegar a explotar.
 7. Las baterías deben ser recicladas o desechadas según los reglamentos locales y estatales.

Para el envío o la eliminación de baterías o del aparato, estos deben embalarse por separado en bolsas de plástico para evitar cortocircuitos o incendios.

9. Almacenamiento

Guardar el aparato y sus accesorios en un lugar oscuro, seco, protegido de las heladas e inaccesible para los niños. La temperatura de almacenamiento óptima se encuentra entre los 41°F y 86°F (5 y 30 °C). Guardar la herramienta eléctrica en su embalaje original.

Sólo está permitido copiar la documentación y documentos anexos del producto, o extractos de los mismos, con autorización expresa de iSC GmbH.

Nos reservamos el derecho a realizar modificaciones técnicas

Einhell

LA PROMESA DE EINHELL AL CLIENTE

LO PRIMERO ES LA CALIDAD. El nombre de Einhell es sinónimo de herramientas de alto rendimiento y manufactura europea de alta calidad. Desde destornilladores inalámbricos hasta cortacéspedes eléctricos, Einhell USA diseña y desarrolla innovadoras herramientas para jardinería y eléctricas de mano para amantes del DIY, jardineros aficionados y manitas.

Los equipos de aseguramiento de la calidad y de ingenieros de Einhell USA garantizan que los productos se sometan a las pruebas más exigentes en materia de calidad y rendimiento. Sabemos que incluso las herramientas más resistentes pueden sufrir complicaciones. Si nota alguna anomalía en su producto, le aseguramos que haremos todo lo posible para devolverle una herramienta capaz de trabajar satisfaciendo sus exigencias.

REGISTRO DEL PRODUCTO:

Einhell le recomienda encarecidamente que registre su compra. Puede registrarla online en **EinhellUSA.com**. En caso de no hacerlo, el producto comprado no perderá los derechos de garantía. No obstante, registrando su compra permite que Einhell le preste un mejor servicio de atención al cliente cuando lo necesite.

¿QUÉ CUBRE?

Einhell garantiza al propietario que, si esta máquina falla en un plazo de 2 años a partir de la fecha de compra debido a un defecto en el material, en la manufactura o como resultado de un desgaste normal del uso doméstico ordinario, Einhell le enviará una pieza o un producto de repuesto, según se necesite, de manera gratuita y sin gastos de envío al comprador original. Si, a criterio exclusivo de Einhell, la máquina averiada no se puede reparar con una pieza, Einhell decidirá si a) envía una nueva máquina de manera gratuita y sin gastos de envío, o b) reembolsa al propietario el importe completo de la compra.

¿QUIÉN PUEDE OBTENER COBERTURA DE GARANTÍA?

Einhell hace entrega de la presente garantía al propietario de esta máquina (una "máquina" consiste en un producto alimentado por un motor) para un uso exclusivamente doméstico y privado. Esta garantía está limitada a treinta (30) días a partir de la fecha de compra original de cualquier producto de la marca EINHELL que se use para fines comerciales o cualquier otro fin que produzca beneficios. Si la máquina cambia de propietario durante el periodo de cobertura, actualice la información del propietario de la máquina en **EinhellUSA.com**

¿QUÉ NO CUBRE?

Esta garantía no cubre ningún producto que haya sufrido un uso indebido, negligencia, o accidente, o que haya sido operado de forma contraria a las instrucciones de uso especificadas en el manual de servicio. La presente

garantía no cubre cambios estéticos que no afecten al funcionamiento.

Esta garantía solo será válida si la máquina se usa y mantiene conforme a las instrucciones, advertencias e instrucciones de seguridad indicadas en el manual de servicio. Einhell no se hará responsable del coste de ninguna reparación de garantía no autorizada. Esta garantía no cubre ningún costo o gasto incurrido por el comprador al proporcionar equipos sustitutos o servicio durante períodos razonables de avería o no utilización de este producto, mientras se espera por una pieza de repuesto o nuevo producto conforme a esta garantía.

La garantía no cubre piezas de desgaste como correas, brocas, cadenas ni dientes, que se pueden comprar en **EinhellUSA.com** o llamando al **1-866-EINHELL (1-866-346-4355)**. Las baterías están completamente cubiertas durante 90 días a partir de la fecha de compra.

La reparación, sustitución o el reembolso del precio de compra constituyen compensaciones exclusivas del comprador y única responsabilidad de Einhell conforme a esta garantía. Ningún empleado ni representante de Einhell está autorizado a realizar ninguna garantía adicional ni modificación alguna a la presente garantía que pueda ser vinculante para Einhell. Por consiguiente, el comprador no deberá ampararse en ninguna declaración adicional hecha por ningún empleado o representante de Einhell. Einhell no se hace responsable en ningún caso, ya se base en el contrato, indemnización, garantía, agravio (incluyendo negligencia), responsabilidad absoluta o de otro tipo, de ningún daño especial, indirecto, accidental o consecuentes incluyendo, sin limitaciones, la pérdida de beneficios o ingresos.

Algunos estados no permiten límites en las garantías. En dichos estados, no se aplicarán las limitaciones expuestas anteriormente.

Fuera de EE. UU. y Canadá se aplicarán otras garantías.

Sommaire

1. Consignes de sécurité
2. Description de l'appareil et contenu de l'emballage
3. Utilisation conforme
4. Caractéristiques techniques
5. Avant la mise en service
6. Fonctionnement
7. Nettoyage, entretien et commande de pièces de rechange
8. Élimination et revalorisation
9. Conservation

FR



Danger! - Lire le mode d'emploi pour diminuer le risque de blessures

Danger !

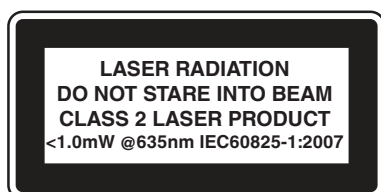
Certaines mesures de sécurité doivent être respectées pendant l'utilisation des appareils pour empêcher les blessures et les dommages. Par conséquent, lisez attentivement le présent mode d'emploi / les consignes de sécurité. Conservez-les bien pour avoir les informations toujours à la portée de la main. Si vous devez passer l'appareil à d'autres personnes, veuillez leur remettre également le présent mode d'emploi / les consignes de sécurité. Nous ne sommes pas tenus des accidents ou dommages survenus à cause de non-respect du présent mode d'emploi et des consignes de sécurité.

1. Consignes de sécurité**Danger !**

Lisez toutes les consignes de sécurité et instructions. Le non-respect des consignes de sécurité et des instructions peut causer une électrocution, un incendie et / ou de graves blessures. **Conservez toutes les consignes de sécurité et instructions pour l'avenir.**

Indications spécifiques concernant le laser

Attention : Rayonnement laser
Ne pas regarder dans le faisceau
Classe de laser II



Conforme aux normes 21 CFR 1040.10 et 1040.11 sauf les exceptions citées dans la Notice laser n° 50 du 24 juin 2007

- Ne jamais regarder dans le faisceau.
- Ne jamais diriger le laser sur des surfaces réfléchissantes ni sur des personnes ou des animaux. Même un laser de faible puissance peut endommager l'œil.
- Attention – l'exécution de procédures autres que celles exposées ici peut provoquer une

exposition dangereuse au rayonnement.

- Ne jamais ouvrir le module laser.
- Il n'est pas autorisé de modifier l'appareil pour augmenter la puissance du laser.
- Le fabricant décline toute responsabilité des dommages dus à la non-observation des consignes de sécurité.

Consignes de sécurité relatives aux batteries
Utilisation des batteries

- L'insertion des batteries lorsque le laser est allumé peut provoquer des accidents.
- L'utilisation non appropriée peut provoquer la fuite des piles. Évitez le contact avec le liquide de la batterie. Si vous êtes entré en contact avec le liquide de batterie, nettoyez la partie du corps à l'eau courante. Si le liquide de batterie a pénétré dans les yeux, vous devriez de surcroît consulter un médecin.
- Le liquide de batterie peut provoquer des irritations cutanées et des brûlures.
- N'exposez jamais les batteries à la chaleur excessive, comme la lumière du soleil, le feu, etc.
- Ne recherchez jamais les batteries qui n'y sont pas adaptées. Risque d'explosion !
- Gardez les batteries hors de la portée des enfants, ne les court-circuitez pas et ne les démontez pas.
- Consultez immédiatement un médecin si vous avez avalé une batterie.
- En cas de besoin, nettoyez les contacts des batteries et de l'appareil avant l'insertion.
- Veillez à la polarité correcte en insérant les batteries.
- Retirez promptement les batteries usées de l'appareil. Il existe un risque élevé de fuite.
- Remplacez toujours toutes les batteries en même temps.
- N'insérez que les batteries du même type et ne mélangez pas les batteries de types différents ni les batteries utilisées et les batteries neuves.
- Assurez-vous après l'utilisation que l'appareil est éteint.
- Retirez les batteries de l'appareil en cas d'une période de non-utilisation prolongée.

Conservez bien les consignes de sécurité.

2. Description de l'appareil et contenu de l'emballage

2.1 Description de l'appareil (fig. 1-3)

1. Interrupteur de Marche / Arrêt (blocage du laser)
2. Laser horizontal
3. Laser vertical
4. Indicateur LED
5. Touche de sélection des lignes du laser
6. Couvercle du compartiment de batteries
7. Filetage femelle ¼»
8. Pince universelle
9. Vis de réglage
10. Filetage mâle ¼» avec molette

2.2 Contenu d'emballage

Veillez contrôler l'intégralité de l'article au moyen du contenu d'emballage décrit. En cas de pièces manquantes, veuillez contacter notre centre de service à la clientèle ou le point de vente où vous avez acheté l'appareil au plus tard dans les 5 jours ouvrables à compter de l'achat de l'article en présentant un ticket de caisse valable.

- Ouvrez l'emballage et retirez-en prudemment l'appareil.
- Enlevez le matériau d'emballage ainsi que les sécurités d'emballage et de transport (le cas échéant).
- Contrôlez l'intégralité du contenu d'emballage.
- Vérifiez si l'appareil et les accessoires présentent des dommages dus au transport.
- Si possible, conservez l'emballage jusqu'à l'expiration de la durée de garantie.

Danger !

L'appareil et le matériau d'emballage ne sont pas un jouet ! Les enfants ne doivent pas jouer avec des sachets en plastique, des films ou de petites pièces ! Il existe le risque d'ingestion et de suffocation !

- Laser à lignes croisées
- Support
- Sacoche
- Mode d'emploi d'origine
- Consignes de sécurité

3. Utilisation conforme

Le laser à lignes croisées projette des lignes sur le mur au moyen du laser, permettant d'aligner, p. ex., les carreaux, les fenêtres, les portes ou les tableaux.

La machine ne doit être utilisée que conformément à sa destination. Toute autre utilisation dépassant ce cadre n'est pas conforme. C'est l'utilisateur / l'opérateur qui est responsable de tous les dommages ou blessures de toute nature en résultant et non pas le fabricant.

Veillez noter que nos appareils n'ont pas été conçus pour une utilisation commerciale, artisanale ou industrielle. Nous n'accordons aucune garantie si l'appareil est utilisé dans des entreprises commerciales, artisanales ou industrielles ou pour des activités équivalentes.

4. Caractéristiques techniques

Alimentation électrique : 2 x 1,5 V ; type AA (LR06)
 Zone de nivellement autonome ± 4°
 Précision : ± 0,5 mm/m (± 3/16 -po. @ 30-ft)
 Zone de travail : 8 m (26 ft)
 Longueur d'onde verticale : 635 nm
 Longueur d'onde horizontale : 635 nm
 Classe de laser II
 Puissance de sortie : < 1 mW
 Poids : 0,2 kg (0,44 lb)

Cette norme s'applique au matériel conçu pour être sûr au moins dans les conditions suivantes :

- a) utilisation à l'intérieur
- b) altitude jusqu'à ~2 000 m (6 500 pieds)
- c) températures + 5 °C – +40 °C (+41 °F – +104 °F)
- d) humidité maximale relative 80 % pour les températures jusqu'à 31 °C (88 °F) diminuant linéairement à 50 % d'humidité relative à +40 °C (+104 °F)

5. Avant la mise en service

5.1 Insérer les batteries (fig. 2)

- Éteignez l'appareil au moyen de l'interrupteur de marche / arrêt (1).
- Ouvrez le couvercle du compartiment de batteries (6) en pressant la languette (a) vers le bas.
- Insérez les batteries (b) en respectant la polarité correcte.
- Refermez le couvercle du compartiment de batteries (6) en veillant à ce qu'il s'enclenche.

Si l'indicateur LED clignote en rouge en continu malgré la position verticale de l'appareil, les batteries sont déchargées. Remplacez-les comme il est décrit ci-dessus.

5.2 Utiliser la pince universelle (fig. 3 / pos. 8)

Vous pouvez fixer la pince universelle (8) fournie par serrage aux tables, étagères, etc.

Voici le procédé de montage de l'appareil sur la pince universelle :

- Posez l'appareil en dirigeant le filetage femelle (7) sur le dessous de l'appareil sur le filetage mâle (10) de la pince universelle (8).
- Vissez l'appareil au support à l'aide de la molette.
- Vous pouvez régler l'inclinaison de l'appareil au moyen de la vis de réglage (9) et des articulations à rotule (a).

Le démontage s'effectue dans l'ordre inverse.

6. Fonctionnement

6.1 Mise en marche et à l'arrêt (fig. 1)

Mise en marche :

- Posez le laser sur un support plane ou montez-le sur la pince universelle et fixez-le comme décrit au point 5.2.
- Allumez le laser en déplaçant l'interrupteur de Marche / Arrêt vers la gauche (vue de face). Les lasers s'allument, la LED (4) s'allume en vert et le balancier est débloquent de manière à permettre l'alignement du laser.
- Appuyez sur la touche (5) pour masquer ou visualiser de nouveau les lignes verticales ou horizontales une à une.

Mise à l'arrêt :

Pour éteindre, déplacez l'interrupteur de Marche / Arrêt vers la droite (vue de face). Les lasers s'éteignent et le balancier est bloqué.

Remarque !

Pour prévenir les dommages pendant le transport, éteignez toujours l'appareil de façon décrite ci-dessus.

6.2 Alignement automatique du laser (fig. 4)

Une fois allumés au moyen de l'interrupteur de marche / arrêt (1), les lasers s'alignent à présent tout seuls grâce au balancier de manière à projeter sur le mur les lignes verticales et horizontales exactes. (Voir fig. 4)

Appuyez sur la touche 5 pour masquer ou visualiser la ligne verticale ou horizontale une à une.

Remarque !

Veillez à ne pas incliner l'appareil de plus de 4 degrés et à ne pas le poser de façon oblique. Dans ce cas, les faisceaux laser clignotent et la LED (4) s'allume en rouge.

6.3 Alignement manuel du laser (fig. 5)

Le laser peut aussi être aligné manuellement de manière à visualiser une ligne diagonale. Procédez de manière suivante :

- Posez le laser sur un support plane ou montez-le sur la pince universelle et fixez-le comme décrit au point 5.2.
- Allumez l'appareil en déplaçant l'interrupteur de Marche / Arrêt (1) vers la gauche (vue de face).
- Attendez que les lasers se sont alignés et remplacez l'interrupteur de Marche / Arrêt (1) vers la droite.
- Appuyez à présent sur la touche (5). Les lasers s'allument et la LED (4) s'allume en rouge parce que le balancier est bloqué.
- Maintenant, vous pouvez incliner le laser à l'angle désiré de manière à projeter les lignes en diagonale sur le mur. (Voir fig. 5)
- Appuyez sur la touche (5) pour masquer ou visualiser la ligne verticale ou horizontale une à une ou pour éteindre de nouveau l'appareil.

7. Nettoyage, entretien et commande de pièces de rechange

7.1 Nettoyage

- Maintenez les dispositifs de protection, les fentes d'aération et les carters de moteur aussi exempt de poussières et de saletés que possible. Frottez l'appareil avec un linge propre et nettoyez-le à l'air comprimé à basse pression.
- Nous recommandons de nettoyer l'appareil directement après chaque utilisation.
- Nettoyez l'appareil régulièrement avec un linge humide et un peu de savon noir. N'utilisez pas de détergeant ni de solvants ; ils peuvent détériorer les éléments en plastique de l'appareil. Veillez à ce que l'eau ne puisse pas pénétrer à l'intérieur de l'appareil. La pénétration de l'eau dans un appareil électrique augmente le risque d'une électrocution.

7.2 Entretien

L'intérieur de l'appareil ne contient pas de pièces exigeant un entretien.

7.3 Commande des pièces de rechange : Service

1. **Si votre outil électrique doit être réparé, veuillez contacter un distributeur autorisé d'Einhell USA ou appeler le centre de service à la clientèle d'Einhell USA au numéro 1-866-EINHELL (1-866-346-4355).** Seules les pièces de rechange identiques doivent être utilisées pour les réparations. Cela permet de garantir la sécurité de l'outil électrique.
2. **Si le câble du chargeur est endommagé, il doit être immédiatement remplacé pour empêcher un accident.** Pour obtenir de l'assistance, veuillez contacter le centre de service à la clientèle d'Einhell USA® au numéro 1-866-EINHELL (1-866-346-4355).

8. Élimination et revalorisation

L'appareil se trouve dans un emballage pour empêcher les dommages dus au transport. Cet emballage constitue une matière première et peut par conséquent est réutilisé ou peut être recyclé. L'appareil et ses accessoires sont fabriqués à partir de différents produits, comme p. ex. le métal et les matières plastiques. Ne jetez pas les appareils défectueux dans les déchets ménagers. Pour être éliminé de façon appropriée, l'appareil devrait être déposé à un lieu de collecte approprié. Si vous ne connaissez aucun lieu de collecte, informez-vous auprès de l'administration municipale.

Mise en garde concernant les batteries et informations sur leur élimination

Élimination

Si votre outil doit être remplacé après une période d'utilisation prolongée, ne le jetez pas avec les ordures ménagères, mais éliminez-le d'une manière respectueuse pour l'environnement.



Les déchets produits par les éléments d'un outil ou d'une machine électrique ne doivent pas être traités comme des déchets ménagers. Veuillez les recycler dans les installations prévues à cet effet.

Pour obtenir des conseils sur le recyclage, communiquez avec les services publics locaux ou avec votre revendeur.

Éliminez toujours les blocs-piles en vous conformant aux réglementations fédérales, provinciales ou territoriales et locales.

Communiquez avec un organisme de recyclage de votre région pour obtenir la liste des sites de recyclage.

⚠ MISE EN GARDE! Même déchargé, un bloc-piles emmagasine une certaine énergie. Avant de l'éliminer, utiliser du ruban isolant pour couvrir les bornes et empêcher ainsi le bloc-piles de provoquer un court-circuit, ce qui pourrait causer un incendie ou une explosion.

⚠ AVERTISSEMENT! Pour réduire le risque de blessure ou d'explosion, ne jamais brûler ou incinérer un bloc-piles, même s'il est endommagé, à plat ou complètement déchargé. En brûlant, des vapeurs et des matières toxiques sont émises dans l'atmosphère environnante.

1. Les batteries varient selon le type d'outils ou de machines. Consulter le manuel pour des renseignements spécifiques.

2. Le cas échéant, insérer uniquement des batteries neuves de même type dans l'outil ou la machine.
3. Si, en l'insérant, la polarité de la batterie n'est pas respectée, comme indiqué dans le compartiment à batterie ou dans le manuel, sa durée de vie pourrait être réduite ou elle pourrait fuir.
4. Ne pas mélanger des batteries anciennes et des neuves.
5. Ne pas mélanger des batteries alcalines, standard (carbone/zinc) ou rechargeables (au nickel-cadmium, au nickel-métal-hydrure ou au lithium-ion).
6. Ne jeter aucune batterie au feu. Les cellules de batterie peuvent exploser.
7. Les batteries doivent être recyclées ou éliminées en observant les directives provinciales ou territoriales et locales.

Pour expédier ou éliminer les batteries ou l'appareil sans fil, veillez à ce qu'ils soient emballés individuellement dans un sachet en plastique pour empêcher les courts-circuits ou les incendies !

9. Conservation

Conservez l'appareil et ses accessoires dans un endroit sombre, sec et exempt de gel ainsi que hors la portée des enfants. La température de conservation optimale se situe entre 41 °F et 86 °F (5 °C et 30 °C). Conservez l'outil électrique dans l'emballage d'origine.

Une réimpression ou toute autre reproduction de la documentation et des documents accompagnant les produits, même par extraits, ne sont autorisées qu'avec accord exprès d'iSC GmbH.

Sous réserve des modifications techniques.

Einhell

PROMESSE D'EINHELL À SES CLIENTS

LA QUALITÉ PRIME. Le nom d'Einhell est synonyme des outils performants et de la fabrication européenne de haute qualité. Des perceuses sans fil aux tondeuses à gazon électriques, Einhell USA conçoit et développe des outils électriques et de jardinage à main de pointe pour les bricoleurs, jardiniers amateurs et réparateurs.

Les équipes d'assurance de la qualité et d'ingénieurs d'Einhell USA garantissent que les produits subissent de sévères tests de qualité et de performance. Nous savons que parfois les outils solides traversent les époques dures. Si jamais vous avez un problème avec votre produit, soyez sûr que nous ferons tout notre possible pour vous rendre un outil prêt à travailler aussi dur que vous.

ENREGISTREMENT DU PRODUIT :

Einhell vous encourage vivement d'enregistrer votre achat. Vous pouvez enregistrer en ligne sur **EinhellUSA.com**. Si vous n'enregistrez pas le produit que vous avez acheté, cela n'affectera pas vos droits de garantie. Toutefois, si vous enregistrez votre achat, Einhell pourra mieux vous servir pour tous vos besoins de client.

QU'EST-CE QUI EST COUVERT ?

Einhell garantit au propriétaire que si cet appareil a un problème pendant une période de 2 ans à partir de la date d'achat à cause d'un défaut de matériau ou de fabrication ou en raison de l'usure normale au cours d'un usage domestique normal, Einhell enverra une pièce ou un produit de rechange, au besoin, gratuitement et sans frais de port à l'acheteur initial. Si, à la seule discrétion d'Einhell, l'appareil défectueux ne peut pas être réparé avec une pièce, Einhell soit (A) enverra gratuitement et sans frais de port un nouvel appareil, soit (B) remboursera au propriétaire la totalité du prix d'achat.

QUI PEUT SOLLICITER LA COUVERTURE DE GARANTIE ?

Cette garantie est consentie par Einhell au propriétaire de cet appareil (un « appareil » consiste en un produit alimenté par un moteur) pour un usage domestique personnel exclusivement. Cette garantie est limitée aux trente (30) jours à compter de l'achat initial de tout produit de marque EINHELL utilisé à des fins commerciales ou à d'autres fins lucratives. Si la propriété de cet appareil change pendant la période couverte, veuillez mettre à jour l'information relative au propriétaire de l'appareil sur **EinhellUSA.com**

QU'EST-CE QUI N'EST PAS COUVERT ?

Cette garantie ne couvre pas les produits ayant fait l'objet d'un usage abusif ou négligent, d'un manque d'entretien, ayant été impliqués dans un accident ou employés d'une façon contraire au mode d'emploi, comme c'est spécifié dans le guide d'utilisation. Cette

garantie ne couvre pas les modifications superficielles n'affectant pas la performance.

Cette garantie n'est valable que si l'appareil est utilisé et entretenu conformément aux instructions, avertissements et mises en garde figurant dans le manuel du propriétaire. Einhell ne sera pas responsable du coût des réparations de garantie non autorisées. Cette garantie ne couvre pas les coûts et dépenses engagés par l'acheteur pour se procurer un équipement ou un service de substitution pendant les périodes raisonnables de dysfonctionnement ou de non-utilisation de ce produit dans l'attente d'une pièce ou d'une unité de rechange en vertu de cette garantie.

Les pièces d'usure, comme les courroies, les vis sans fin, les chaînes et les dents, ne sont pas couvertes par cette garantie et peuvent être achetées sur **EinhellUSA.com** ou en appelant au numéro **1-866-EINHELL (1-866-346-4355)**. Les batteries sont entièrement couvertes pendant 90 jours à partir de la date d'achat.

La réparation, le remplacement et le remboursement du prix d'achat sont les seuls moyens de l'acheteur et la seule responsabilité d'Einhell au titre de cette garantie. Les employés et les représentants d'Einhell ne sont pas autorisés à concéder une garantie supplémentaire ni à apporter une modification de cette garantie susceptible d'engager Einhell. Par conséquent, l'acheteur ne devrait pas se fier aux déclarations supplémentaires faites par un employé ou un représentant d'Einhell. En aucun cas, sur la base d'un contrat, d'une indemnisation, d'une garantie, d'un tort (y compris la négligence), d'une responsabilité sans faute, etc., Einhell ne sera responsable des dommages spécifiques, indirects, accessoires ou consécutifs, y compris mais sans s'y limiter la perte de bénéfices ou de revenus.

Certains États n'autorisent pas de limitations aux garanties. Dans tels États, les limitations ci-dessus pourraient ne pas s'appliquer à vous.

D'autres garanties peuvent s'appliquer en dehors des États-Unis et le Canada.



A series of 20 horizontal lines for writing, starting from the line where the pencil is positioned and extending down the page.



A series of horizontal lines for writing, starting from the top right and extending down to the bottom of the page.

Einhell

www.EinhellUSA.com

EH 03/2019 (01)