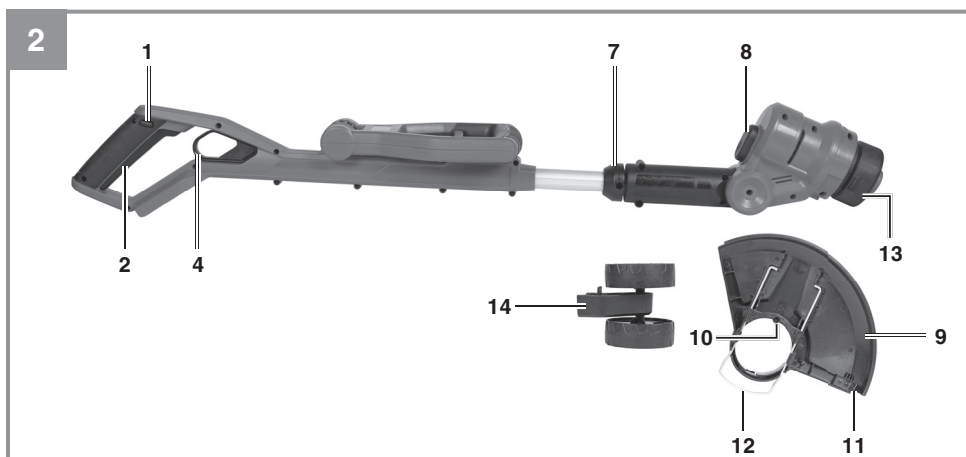
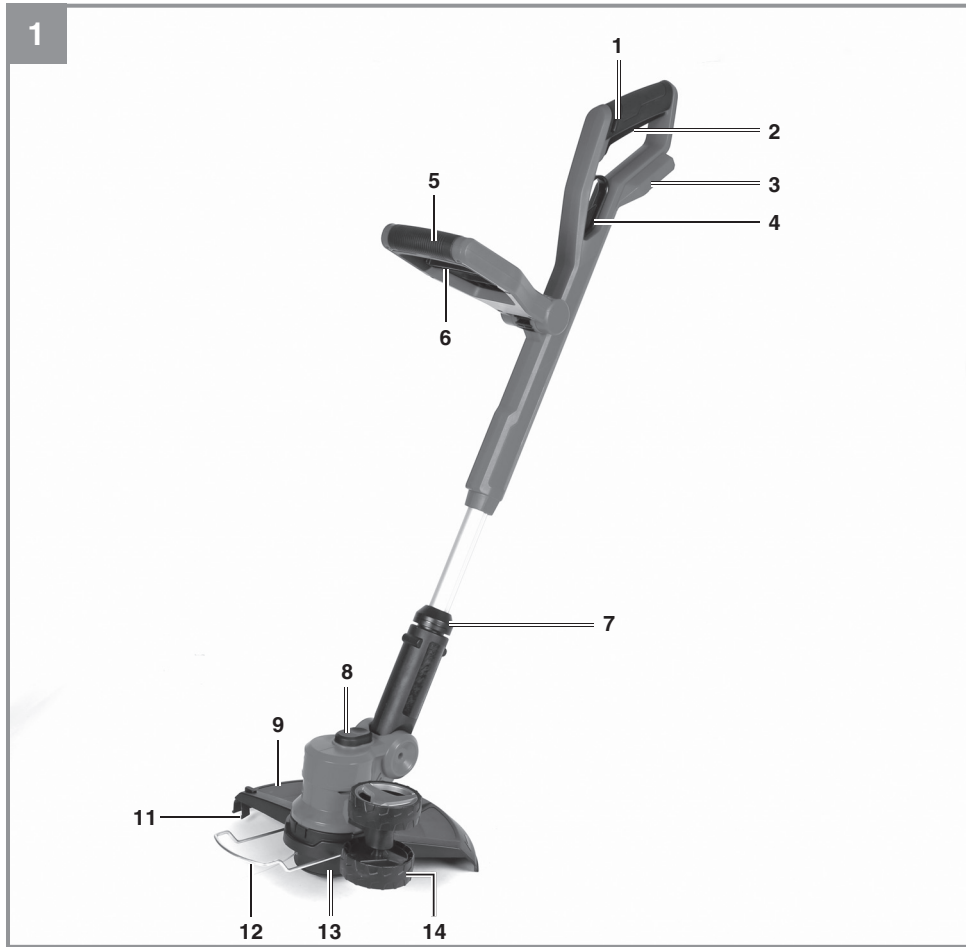


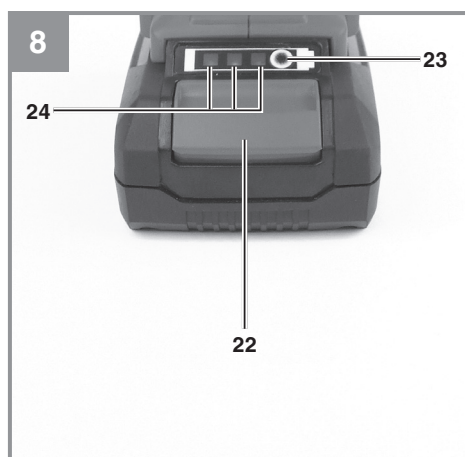
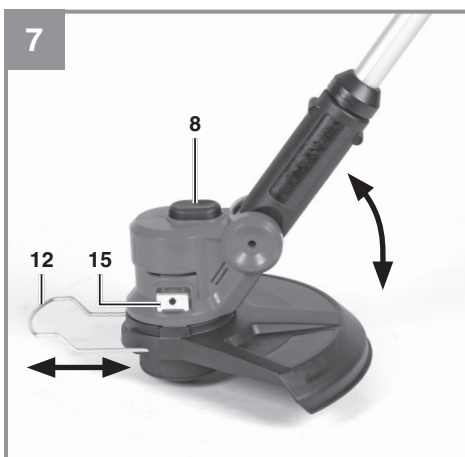
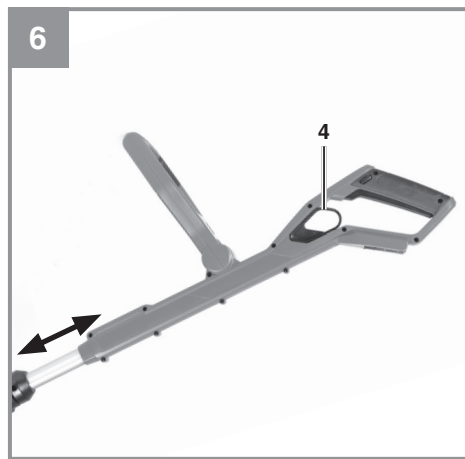
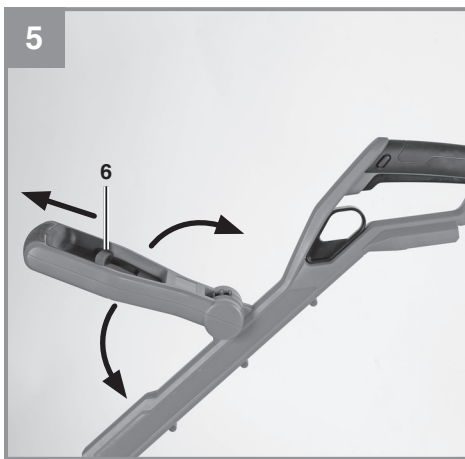
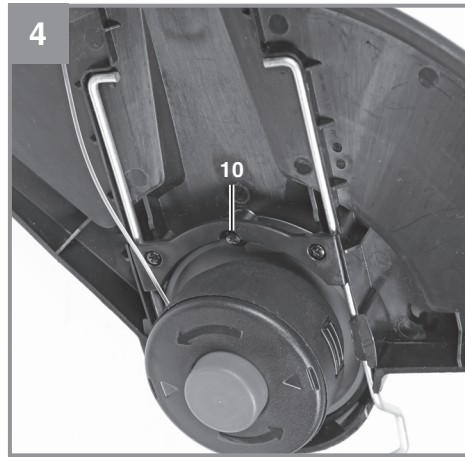
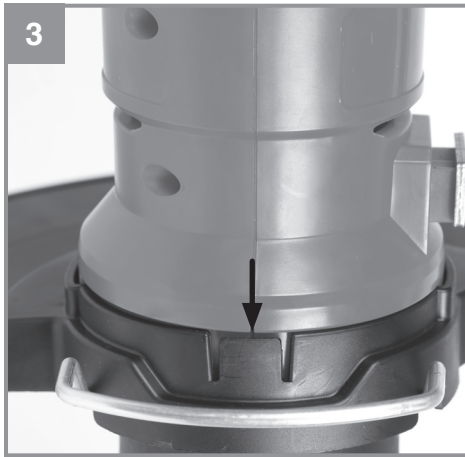
- EN** Operating instructions  
Cordless Telescopic String  
Trimmer
- FR** Mode d'emploi  
Coupe-bordure télescopique  
sans fil
- SP** Manual de instrucciones  
Bordeadora de hilo telescópica  
inalámbrica

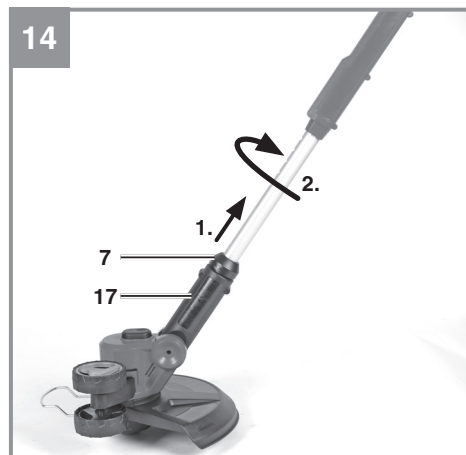
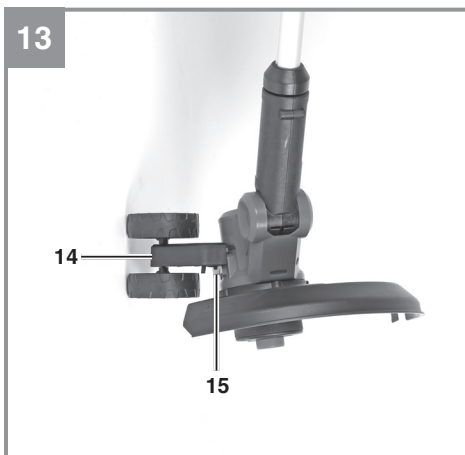
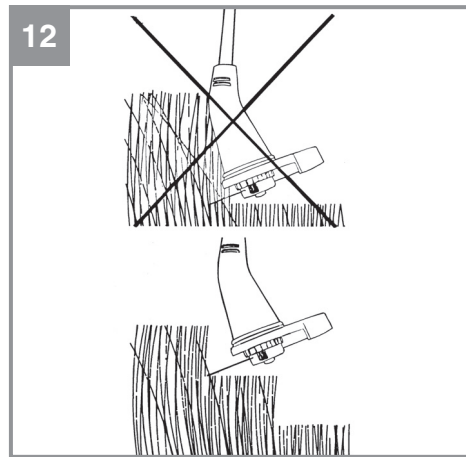
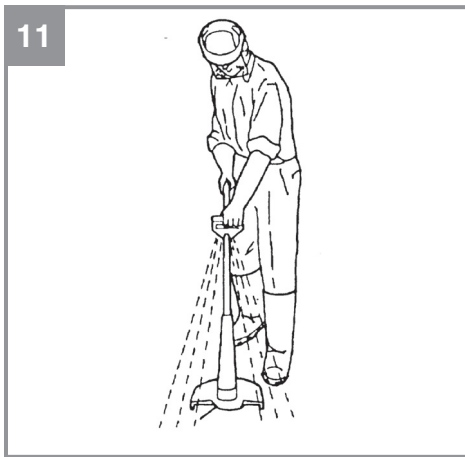
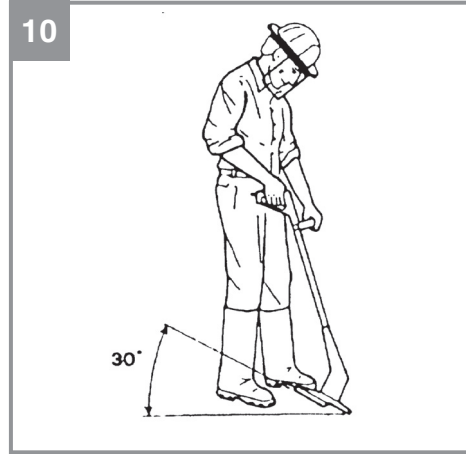
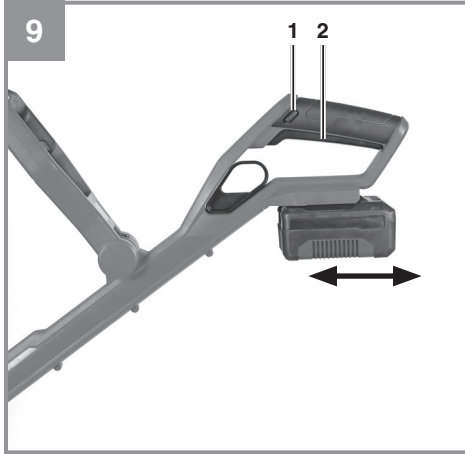


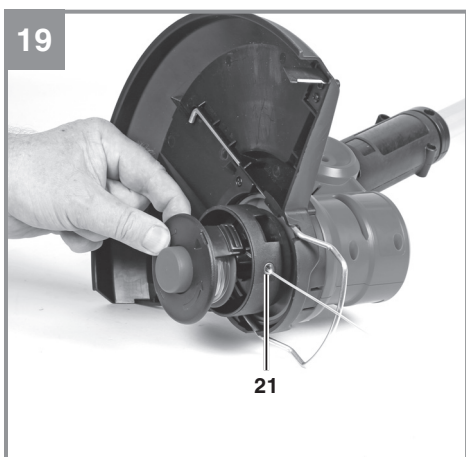
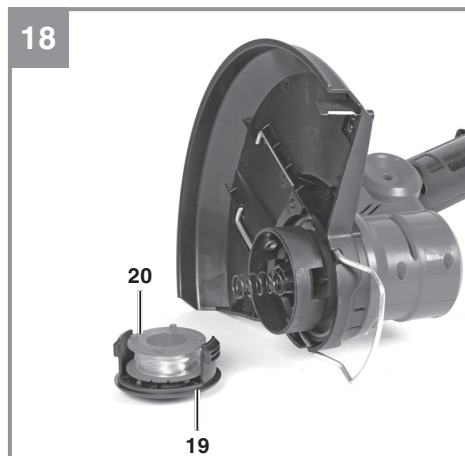
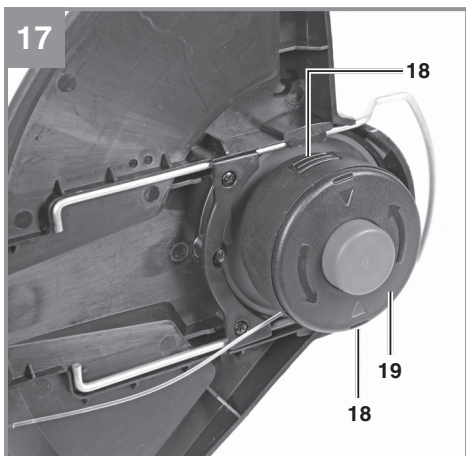
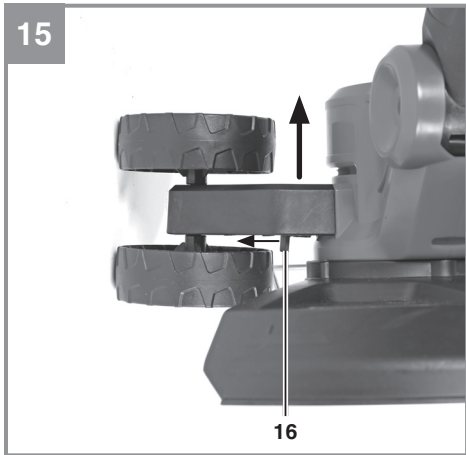
**Art.-Nr.: 3411260**

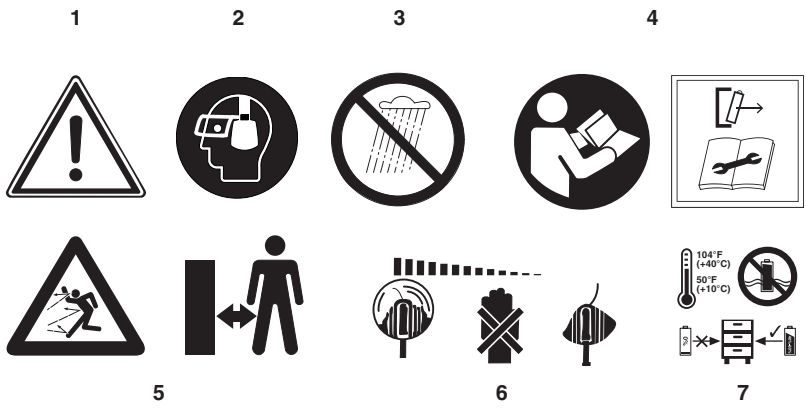
**I.-Nr.: 21012**











**DANGER!**

When using the equipment, a number of safety precautions must be observed to avoid injuries and damage. Please read the complete operating instructions and safety information with due care. Keep these operating instructions in a safe place so that the information is available at all times. If you give the equipment to any other person, hand over these operating instructions and the safety information as well. We cannot accept any liability for damage or accidents which arise due to failure to follow these instructions and the safety information.

**1. Safety information****⚠ DANGER!**

**Read all the safety information and instructions.** Failure to adhere to the safety information and instructions set out below may result in electric shock, fire and/or serious injury. **Keep all the safety information and instructions in a safe place for future use.**

**General safety information for power tools**

The term "power tool" used in the safety regulations refers to power tools operated from the mains power supply (with a power cable) and to battery operated power tools (without a power cable).

**1) Work area safety**

- a) **Keep work area clean and well lit.**  
*Cluttered and dark areas invite accidents.*
- b) **Do not operate power tools in explosive atmospheres, such as in the presence of flammable liquids, gases or dust.** *Power tools create sparks which may ignite the dust or fumes.*
- c) **Keep children and bystanders away while operating a power tool.** *Distractions can cause you to lose control.*

**2) Electrical safety**

- a) **Power tool plugs must match the outlet. Never modify the plug in any way. Do not use any adapter plugs with earthed (grounded) power tools.** *Unmodified plugs and matching outlets will reduce risk of electric shock.*
- b) **Avoid body contact with earthed or grounded surfaces such as pipes, radiators, ranges and refrigerators.** *There*

*is an increased risk of electric shock if your body is earthed or grounded.*

- c) **Do not expose power tools to rain or wet conditions.** *Water entering a power tool will increase the risk of electric shock.*
  - d) **Do not abuse the cord. Never use the cord for carrying, pulling or unplugging the power tool. Keep cord away from heat, oil, sharp edges or moving parts.** *Damaged or entangled cords increase the risk of electric shock.*
  - e) **When operating a power tool outdoors, use an extension cord suitable for outdoor use.** *Use of a cord suitable for outdoor use reduces the risk of electric shock.*
  - f) **If operating a power tool in a damp location is unavoidable, use a ground fault circuit interruptor (GFCI) protected supply.** *Use of an GFCI reduces the risk of electric shock.*
- 3) Personal safety**
- a) **Stay alert, watch what you are doing and use common sense when operating a power tool. Do not use a power tool while you are tired or under the influence of drugs, alcohol or medication.** *A moment of inattention while operating power tools may result in serious personal injury.*
  - b) **Use personal protective equipment. Always wear eye protection.** *Protective equipment such as dust mask, non-skid safety shoes, hard hat, or hearing protection used for appropriate conditions will reduce personal injuries.*
  - c) **Prevent unintentional starting. Ensure the switch is in the Off-position before connecting to power source and/or BATTERY pack, picking up or carrying the tool.** *Carrying power tools with your finger on the switch or energizing power tools that have the switch on invites accidents.*
  - d) **Remove any adjusting key or wrench before turning the power tool on.** *A wrench or a key left attached to a rotating part of the power tool may result in personal injury.*
  - e) **Do not overreach. Keep proper footing and balance at all times.** *This enables better control of the power tool in unexpected situations.*
  - f) **Dress properly. Do not wear loose clothing or jewellery. Keep your hair, clothing and gloves away from moving parts.** *Loose clothes, jewelry or long hair*

- can be caught in moving parts.
- g) **If devices are provided for the connection of dust extraction and collection facilities, ensure these are connected and properly used.** *Use of these devices can reduce dust related hazards.*
- h) **Do not let familiarity gained from frequent use of tools allow you to become complacent and ignore tool safety principles.** *A careless action can cause severe injury within a fraction of a second.*
- 4) Power tool use and care**
- a) **Do not force the power tool. Use the correct power tool for your application.** *The correct power tool will do the job better and safer at the rate for which it was designed.*
- b) **Do not use the power tool if the switch does not turn it on and off.** *Any power tool that cannot be controlled with the switch is dangerous and must be repaired.*
- c) **Disconnect the plug from the power source and/or remove the battery pack, if detachable, from the power tool before making any adjustments, changing accessories, or storing power tools.** *Such preventive safety measures reduce the risk of starting the power tool accidentally.*
- d) **Store idle power tools out of the reach of children and do not allow persons unfamiliar with the power tool or these instructions to operate the power tool.** *Power tools are dangerous in the hands of untrained users.*
- e) **Maintain power tools and accessories. Check for misalignment or binding of moving parts, breakage of parts and any other condition that may affect the power tool's operation. If damaged, have the power tool repaired before use.** *Many accidents are caused by poorly maintained power tools.*
- f) **Keep cutting tools sharp and clean.** *Properly maintained cutting tools with sharp cutting edges are less likely to bind and are easier to control.*
- g) **Use the power tool, accessories and tool bits etc., in accordance with these instructions and in the manner intended for the particular type of power tool, taking into account the working conditions and the work to be performed.** *Use of the power tool for operations different from intended could result in a hazardous situation.*
- h) **Keep handles and grasping surfaces dry, clean and free from oil and grease.** *Slippery handles and grasping surfaces do not allow for safe handling and control of the tool in unexpected situations.*
- 5) Battery tool use and care**
- a) **Recharge only with the charger specified by the manufacturer.** *A charger that is suitable for one type of battery pack may create a risk of fire when used with another battery pack.*
- b) **Use power tools only with specifically designated battery packs.** *Use of any other battery packs may create a risk of injury and fire.*
- c) **When battery pack is not in use, keep it away from other metal objects, like paper clips, coins, keys, nails, screws or other small metal objects that can make a connection from one terminal to another.** *Shorting the battery terminals together may cause burns or a fire.*
- d) **Under abusive conditions, liquid may be ejected from the battery; avoid contact. If contact accidentally occurs, flush with water. If liquid contacts eyes, additionally seek medical help.** *Liquid ejected from the battery may cause irritation or burns.*
- e) **Do not use a BATTERY pack or tool that is damaged or modified.** *Damaged or modified batteries may exhibit unpredictable behavior resulting in fire, EXPLOSION or risk of injury.*
- f) **Do not expose a BATTERY pack or tool to fire or excessive temperature.** *Exposure to fire or temperature above 266°F (130°C) may cause explosion.*
- g) **Follow all charging instructions and do not charge the BATTERY pack or tool outside the temperature range specified in the instructions.** *Charging improperly or at temperatures outside the specified range may damage the BATTERY and increase the risk of fire.*
- 6) Service**
- a) **Have your power tool serviced by a qualified repair person using only identical replacement parts.** *This will ensure that the safety of the power tool is maintained.*
- b) **Never service damaged BATTERY packs.** *Service of BATTERY packs should only be*



*performed by the manufacturer or authorized service providers.*

- c) Do not modify or attempt to repair the appliance or the battery pack (as applicable) except as indicated in the instructions for use and care.

**1.) FOR ALL BATTERY-OPERATED APPLIANCES:**

- Do not charge appliance in rain, or in wet locations.
- Do not use battery-operated appliances in the rain. Always remove or disconnect battery pack before adjusting, cleaning, servicing or transporting the garden appliances.

**2.) FOR ALL BATTERY-OPERATED PRODUCTS EMPLOYING A DETACHABLE OR SEPARABLE BATTERY:**

- Use only the following type and size battery:  
18V 1.5Ah PXC Lithium-ion battery  
18V 2.0Ah PXC Lithium-ion battery  
18V 2.5Ah PXC Lithium-ion battery  
18V 3.0Ah PXC Lithium-ion battery  
18V 4.0Ah PXC Lithium-ion battery  
18V 3.0Ah PXC Plus Lithium-ion battery  
18V 4.0Ah PXC Plus Lithium-ion battery  
18V 5.2Ah PXC Plus Lithium-ion battery  
18V 4.0Ah/6.0Ah PXC Plus Lithium-ion battery  
18V 5.0Ah/8.0Ah PXC Plus Lithium-ion battery
- Do not dispose of the battery in a fire. The cell may explode. Check with local codes for possible special disposal instructions.
- Do not open or mutilate the battery. Released electrolyte is corrosive and may cause damage to the eyes or skin. It may be toxic if swallowed.
- Exercise care in handling the battery in order not to short it with conducting materials such as rings, bracelets, and keys. The battery or conductor may overheat and cause burns.

**3.) AVOID UNINTENTIONAL STARTING – DO NOT INSERT BATTERY WHILE YOUR FINGER IS ON THE SWITCH. BE SURE SWITCH IS OFF WHEN INSERTING THE BATTERY. ADDITIONAL SAFETY RULES FOR GRASS AND EDGE TRIMMERS**

- Do not use heavier lines than those recommended in this manual.
- Do not use line materials of other types – for example, metal wire, rope, and the like.

**GENERAL SAFETY WARNINGS FOR THE BATTERY PACK**

- Dispose of used battery promptly and properly. When disposing of secondary cells or batteries, keep cells or batteries of different electrochemical systems separate from each other.
- Keep battery out of reach of children and in original package until ready to use.
- Never put batteries in one's mouth. If swallowed, contact local poison control centre immediately.
- CAUTION – The battery used in this device may present a risk of fire or chemical burn if mishandled. Replace battery with Einhell/lawn master brand only. Use of another battery may present a risk of fire or explosion.
- WARNING: Do not use a visibly damaged battery pack or appliance.
- WARNING: Do not modify or attempt to repair the appliance or the battery pack.
- **BATTERIES MUST BE RECYCLED.**
- Do not short-circuit a cell or battery. Do not store cells or batteries haphazardly in a box or drawer where they may short-circuit each other or be short-circuited by conductive materials.
- Do not subject cells or batteries to mechanical shocks.
- Keep cells and batteries clean and dry. Wipe the cell or battery terminals with a clean dry cloth if they become dirty.
- Do not maintain secondary cells and batteries on charge when not in use.
- Retain the original cell and battery. Do not use any charger other than that specifically provided for use with the equipment. Secondary cells and batteries need to be charged before use. Always use the correct charger and refer to the manufacturer's instructions or equipment manual for proper charging instructions.
- When possible, remove the battery from the equipment when not in use.
- Under abusive conditions, liquid may be ejected from the battery; avoid contact. If contact accidentally occurs, flush with water. If liquid contacts eyes, additionally seek medical help. Liquid ejected from the battery may cause irritation or burns.
- Have servicing performed by a qualified repair person using only identical replacement parts. This will ensure that the safety of the product is maintained.

- **Protect your rechargeable battery against moisture, rain and high humidity.** Moisture, rain and high humidity can cause dangerous cell damage. Never charge or work with batteries which have been exposed to moisture, rain or high humidity – replace them immediately.
- If your equipment is fitted with a detachable battery, remove the battery for safety reasons after you have finished your work.

#### IMPORTANT SAFETY INSTRUCTIONS FOR CHARGER

**WARNING:** This product may contain lead, phthalate or other chemicals known to the State of California to cause cancer, birth defects and other reproductive harm. Please wash your hands after use.

#### String trimmer and lawn edge trimmer safety warnings

- Do not use the machine in bad weather conditions, especially when there is a risk of lightning.** This decreases the risk of being struck by lightning.
  - Thoroughly inspect the area for wildlife where the machine is to be used.** Wildlife may be injured by the machine during operation.
  - Thoroughly inspect the area where the machine is to be used and remove all stones, sticks, wires, bones, and other foreign objects.** Thrown objects can cause personal injury.
  - Before using the machine, always visually inspect to see that the cutter and the cutter assembly are not damaged.** Damaged parts increase the risk of injury.
  - Keep guards in place. Guards must be in working order and be properly mounted.** A guard that is loose, damaged, or is not functioning correctly may result in personal injury.
  - Keep all cooling air inlets clear of debris.** Blocked air inlets and debris may result in overheating or risk of fire.
  - Wear eye protection and ear protection.** Adequate protective equipment will reduce personal injury.
  - While operating the machine, always wear non-slip and protective footwear. Do not operate the machine when barefoot or wearing open sandals.** This reduces the chance of injury to the feet from contact with the moving cutter.
- Always wear clothing such as trousers that covers the operator's legs while operating the machine.** Contact with the moving cutter or line may cause injury.
  - Keep bystanders away while operating the machine.** Thrown debris can result in serious personal injury.
  - Do not operate the machine above waist height.** This helps prevent unintended cutter contact and enables better control of the machine in unexpected situations.
  - Exercise caution when operating the machine in wet grass. Walk, never run.** This reduces the risk of slipping and falling which may result in personal injury.
  - Do not operate the machine on excessively steep slopes.** This reduces the risk of loss of control, slipping and falling which may result in personal injury.
  - When working on slopes, always be sure of your footing, always work across the face of slopes, never up or down and exercise extreme caution when changing direction.** This reduces the risk of loss of control, slipping and falling which may result in personal injury.
  - Keep all power cords and cables away from cutting area.** Power cords or cables may be hidden in hedges or bushes and can be accidentally cut or damaged by the line or cutter.
  - Keep all parts of the body away from the moving trimmer cutter or line. Do not clear material from the machine until it has been disconnected from the power source.** The moving trimmer cutter or line may result in serious personal injury.
  - Carry the machine with the machine switched off and away from your body.** Proper handling of the machine will reduce the likelihood of accidental contact with a moving trimmer cutter or line.
  - Only use replacement cutting heads and trimmer cutters or lines specified by the manufacturer. Do not replace the trimmer cutters or lines with metal wires or blades.** Incorrect replacement parts may cause loss of control, breakage and injury.

#### Additional safety instructions

- Before you begin your work, examine the material you want to cut. Remove any obstacles and debris. Continue to watch out for obstacles and debris while you are working. If you come across any obstacles

and debris while cutting, turn off the machine and remove the items in question.

- Work only when visibility is adequate.
- Always hold the equipment firmly in both hands. Your fingers and thumbs should be wrapped around the handles.
- Make sure that the handles are clean and dry.
- When carrying out mowing work on a slope always stand at a lower level than the cutting tool. Never cut or trim on a smooth, slippery hill or slope.
- Make sure you stand squarely at all times while working. Be careful when walking backwards. Tripping hazard!
- If you stop your work in order to go to another area to work, you must make sure that the equipment is switched off while you are going there.
- Before you switch on the equipment, check that the cutting unit will not touch any stones or other objects.
- Always wear suitable working clothes to prevent injuries to the head, hands and feet. Always wear heavy, long pants, boots, gloves, and a long-sleeve shirt. Do not wear loose clothing, jewelry, short pants, sandals, or go barefoot. Secure hair so it is above shoulder level.
- When the equipment is in operation, you must always hold it away from your body!
- Do not switch on the equipment when it is turned around or when it is not in working position.
- Switch off the machine and remove the battery: when the equipment is not being used, when you leave it unsupervised, when checking the equipment, when removing or replacing the spool, or when transporting the equipment from one place to another.
- Keep the equipment away from other people, especially children, and from pets. There may be stones and other objects in the grass that is cut and thrown up.
- When you are working, keep a distance of at least 50 ft. (15 m) from other persons and pets.
- Do not cut against hard objects. This will help you to prevent causing injury to yourself and damage to the equipment.
- Use the edge of the safety guard to keep the equipment away from walls, different surfaces and fragile objects.
- Never use the equipment without the safety guard.
- This equipment is not allowed to be used by children or by persons with reduced physical, sensory or mental capacities or those with a lack of experience and knowledge. Children should be supervised so that they do not play with the equipment. Children are not allowed to carry out cleaning or maintenance.
- Risk of injury from dangerous moving parts!
- The moving parts are not allowed to be touched before the battery has been removed and all moving parts have come to a complete standstill.
- Read the directions with due care. Familiarize yourself with the operator controls and proper operation of the equipment.
- Never allow children or other persons who are not familiar with the operating instructions to use the equipment. Contact your local governmental agency for information regarding minimum age requirements for the user.
- Always keep in mind that the user of the equipment is personally responsible for accidents or hazards involving other persons or their property.
- Before use, always carry out a visual check to make sure that the safety devices or covers are not missing or damaged and that they are correctly fitted.
- Never use the equipment in bad weather conditions and particularly never when there is a risk of lightning.
- Never use the equipment with a damaged or missing cover or safety device.
- Switch on the motor only when there are no hands or feet within range of the line spool.
- Always switch off the equipment and remove the battery - when you leave the equipment unsupervised:
  - Before you remove a blockage.
  - Before you examine, clean or work on the equipment.
  - After the equipment strikes an obstacle and debris.
  - When the equipment begins to make unusual vibrations (examine immediately). The equipment is not allowed to be put into operation again until the cause of the unusual vibrations is eliminated. If you fail to find the cause of the vibrations, contact a service center.
- Risk of injury from the line spool! Keep hands and feet away from the line spool!
- Use only spare parts and accessories which are recommended by the manufacturer.
- Examine and service the equipment regularly.

**Important! The safety guard is there to ensure your safety and the safety of others. It is also essential for the equipment to work correctly. Failure to comply with this instruction will void your warranty as well as create a potential source of danger.**

- Never use your hands to try to stop the line spool.
- Always wait for it to stop by itself.
- Use only genuine line spools.
- Make sure that the air vents are free of dirt.
- Do not try to use the equipment to cut grass which is not growing on the ground; for example, do not try to cut grass growing on walls or stones, etc. The person operating the string trimmer is liable for any damages sustained by third parties within the equipment's working radius as a result of its use.
- Do not cross roads or gravel paths with the equipment switched on.
- When you are not using the equipment, keep it in a dry place out of the reach of children.
- Use the equipment only in the way described in these operating instructions and always hold it perpendicular to the ground. Every other position is dangerous.
- Check at regular intervals that the screws are properly tightened.
- The area to be cut must always be kept cleared of cables and other objects.
- If the equipment has to be lifted for transporting, be sure to switch off the motor first and wait for the line spool to come to a standstill. Each time you leave the equipment, switch off the motor.
- Under no circumstances are you to cut against hard objects during use. This is imperative to prevent injury to yourself and damage to the equipment.
- Use only original replacement parts when repairing.
- Before starting up the equipment, and after any collision, check the equipment for signs of wear or damage and have any necessary repairs carried out.
- Always keep your hands and feet away from the line spool, especially when switching the motor on.
- Remove the rechargeable battery before checking, cleaning or doing any work on the machine and when it is not being used.
- Acquaint yourself with the controls and how to use the equipment.

- Stop using the equipment when there are people – particularly children – or pets nearby.
- Never use the machine if protective equipment is damaged or missing.
- Never mount metal line spools. Never replace the non-metal line spool with a metal line spool.

If it is used for a lengthy period, the vibrations it causes in the hands of the user may result in circulation problems (hand-arm vibration syndrome).

White finger syndrome is a vascular disease that involves seizure-like spasms of the fingers and toes. The affected areas are no longer sufficiently supplied with blood and therefore appear extremely pale.

The frequent use of vibrating equipment may trigger nerve damage in people with an impaired circulation (for example smokers, diabetics). Should you observe any unusual impairments, interrupt your work immediately and consult a doctor.

Follow these instructions in order to reduce the dangers:

- Keep your body and in particular your hands warm when working in the cold.
- Take regular breaks and move your hands to stimulate the blood circulation during the breaks.
- Ensure that the equipment makes the least possible vibration through regular maintenance and solid parts on the equipment.

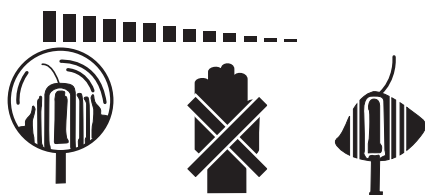
#### **Safety precautions for handling the line spool**

- Take note of all warnings and instructions relating to operating and fitting the line spool.
- The line spool can recoil suddenly from objects if it cannot cut or mow through them. This can cause injuries to the arms or legs. Keep bystanders and animals at least 50 ft. (15 m) away from where you are working. If the equipment strikes a foreign body, stop the engine immediately and wait for the line spool to come to a standstill. Check the line spool for signs of damage. Always replace the line spool if it is bent or cracked.
- The line spool is liable to catapult away objects with high force. This can cause blindness or injuries. Wear protection that complies with ANSI Z87.1, face and legs. Always remove objects from your working area before you use the string trimmer.

- Carefully check your machine and its fittings for signs of damage every time before use. Do not use the equipment unless the line spool is installed correctly.
- When you release the On/Off switch, the line spool will continue to rotate and will only gradually come to a standstill. A line spool which is in the process of rotating to a standstill can cause you or by-standers injuries through cutting. Before you start any work on the line spool, switch off the motor and ensure that the line spool has come to a standstill.
- The danger zone has a radius of 50 ft. (15 m). Bystanders may suffer blindness or injuries. Keep a distance of 50 ft. (15 m) between yourself and other people or animals.

**Important: The line spool continues to run for a few seconds after the motor is switched off.**

**The line spool continues to rotate!**



### SAVE THESE INSTRUCTIONS

**Explanation of the warning signs on the equipment (see Fig. 20)**

- 1: Warning!
- 2: Wear goggles and ear muffs!
- 3: Protect from moisture!
- 4: Read the instruction manual before starting!  
WARNING – Disconnect battery before maintenance.
- 5: Keep other people out of the danger area!
- 6: The line spool continues to rotate!
- 7: Store the batteries only in dry rooms with an ambient temperature of 50°F to 104°F (+10°C to +40°C). Place only fully charged batteries in storage (charged at least 40%).

## 2. Layout and items supplied

### 2.1 Layout

1. Safety lock-off
2. On/Off switch
3. Battery mount
4. Telescopic handle release
5. Additional handle
6. Additional handle release
7. Lock for rotatable motor head
8. Locking button for motor head tilt
9. Safety guard
10. Mounting screw
11. Line cutter
12. Edge guide
13. Line spool housing
14. Guide wheels
15. Guide wheels mount
16. Guide wheels release
17. Angle adjuster
18. Ribbed push cover points
19. Spool cover
20. Line spool
21. Eyelet
22. Push-lock button
23. Battery capacity indicator button
24. Battery capacity indicator

### 2.2 Items supplied

Please check that the article is complete as specified in the scope of delivery. If parts are missing, please contact our service center or the store where you made your purchase at the latest within 5 work days after purchasing the article and upon presentation of a valid bill of purchase.

- Open the packaging and take out the equipment with care.
- Remove the packaging material and any packaging and/or transportation braces (if present).
- Check to see if all the items are supplied.
- Inspect the equipment and accessories for transport damage.
- If possible, keep the packaging until the end of the guarantee period.

### Danger!

**The equipment and packaging material are not toys. Do not let children play with plastic bags, plastic sheets and small parts. There is a risk of choking and suffocating!**

- Cordless string trimmer with additional handle
- Safety guard
- Guide wheels
- Original operating instruction with safety information

#### Separately available accessories

18V 1.5Ah PXC Lithium-Ion battery  
 18V 2.0Ah PXC Lithium-Ion battery  
 18V 2.5Ah PXC Lithium-Ion battery  
 18V 3.0Ah PXC Lithium-Ion battery  
 18V 4.0Ah PXC Lithium-Ion battery  
 18V 3.0Ah PXC Plus Lithium-Ion battery  
 18V 4.0Ah PXC Plus Lithium-Ion battery  
 18V 5.2Ah PXC Plus Lithium-Ion battery  
 18V 4.0Ah/6.0Ah PXC Plus Lithium-Ion battery  
 18V 5.0Ah/8.0Ah PXC Plus Lithium-Ion battery  
 18V PXC Dual Port Fast Charger  
 18V PXC Fast Charger

Contact your local retailer for more specific models of batteries and charger available in your area. You can also explore battery + charger options at Einhell.com.

### 3. Intended use

The equipment is designed for cutting lawns and small areas of grass in private and hobby gardens.

Equipment designed for use in private and hobby gardens is regarded as unsuitable for use in public facilities, parks and sports centers, along roadways, or in agriculture and forestry. The operating instructions supplied by the manufacturer must be obeyed to ensure that the equipment is used properly.

**Important! This equipment must not be used for composting purposes (shredding) as this could result in injury or damage to property.**

The equipment is allowed to be used only for its prescribed purpose. Any other use is deemed to be a case of misuse. The user/operator and not the manufacturer will be liable for any damage or injuries of any kind resulting from such misuse.

Please note that our equipment has not been designed for use in commercial, trade or industrial applications. Our warranty will be voided if the equipment is used in commercial, trade or industrial businesses or for equivalent purposes.

### 4. Technical data

Motor power supply:..... 18V   
 No load speed:..... 8500 RPM  
 Cutting width:..... 12"  
 Length of line spool:..... 16.4 ft.  
 Line diameter:..... 0.065"  
 Weight (tool only):..... 4.6 lbs

#### Reduce noise generation and vibration to a minimum!

- Use only equipment that is in perfect condition.
- Maintain and clean the equipment regularly.
- Adapt your way of working to the equipment.
- Do not overload the equipment.
- Have the equipment checked if necessary.
- Switch off the equipment when not in use.
- Wear gloves.

#### CAUTION!

##### Residual risks

**Even if you use this electric power tool in accordance with the instructions, certain residual risks cannot be eliminated. The following hazards may arise in connection with the equipment's construction and layout:**

1. Lung damage if no suitable protective dust mask is used.
2. Damage to hearing if no suitable ear protection is applied.
3. Health damage caused by hand-arm vibrations if the equipment is used over a longer period or is not properly guided and maintained.

### 5. Before starting the equipment

#### 5.1 Fitting the safety guard (Fig. 3-4)

Remove the screw (Fig. 2 / Item 9a) from the safety guard. Place the safety guard (Item 9) on the motor housing and have it latch onto the motor housing (see arrow). Secure the safety guard with the mounting screw (Item 10). At the bottom of the safety guard is a blade (Fig. 2 /Item 10) for automatically adapting the length of the line spool. It is provided with a safety cover. Remove the safety cover before starting work.

### 5.2 Adjusting the additional handle (Fig. 5)

Pull the release (Item 6) in the direction of the arrow and tilt the additional handle. There are 5 working positions and one storage position in which the additional handle can latch. Operation is permitted only when the additional handle is latched in place.

### 5.3 Height adjustment (Fig. 6)

Pull the release (Item 4) and set the required working height on the telescopic tube. You will hear an audible click when the telescopic tube latches in place. Operation is permitted only when the telescopic tube is latched in place.

### 5.4 Adjusting the angle of tilt of the motor head (Fig. 7)

Press the button for adjusting the angle of tilt (Item 8). Now you can set the motor head to the required angle of tilt. To fix the angle of tilt, release the button and allow the handle to lock into position. Four different locking angles are possible.

#### Warning!

##### Risk of injury!

If the angle of tilt of the motor head is incorrectly set, you could injure yourself or the string trimmer could become damaged.

- Use the string trimmer only when the motor head and the button are latched in one of the four positions for the angle of tilt and when the motor head is securely seated.
- Do not use the string trimmer if the motor head is not latched in place.

### 5.5 Using the edge guide (Fig. 7)

There are 2 locking points (minimum / maximum edge guide length). To change the position of the edge guide (Item 12) after it has latched in place, pull or and push it out of the lock.

### 5.6 Fitting the battery (Fig. 8-9)

Press the push-lock button (22) of the rechargeable battery and push the rechargeable battery into the mount provided. Make sure that the push-lock button engages properly! To remove the battery, proceed in reverse order!

#### Danger!

Start up the equipment only when it is fully assembled.

## 6. Operation

### 6.1 Charging the Lithium-Ion battery (not included)

The corresponding instructions can be found in the original operating instructions for your charger.

### 6.2 Battery capacity indicator (Fig. 8)

Press the battery capacity indicator switch (23). The battery capacity indicator (24) shows the charge status of the battery using 3 LEDs.

#### All 3 LEDs lit:

The battery is fully charged.

#### 2 or 1 LED(s) lit:

The battery has an adequate remaining charge.

#### 1 LED flashing:

The battery is empty, recharge the battery.

#### All LEDs flashing:

The temperature of the battery is too low. Remove the battery from the device and leave it at room temperature for a day. If the error occurs again, this means that the battery has been completely depth-discharged and is defective. Remove the battery from the device. Never use or charge a defective battery.

The string trimmer has a semi-automatic line extension system. Each time you activate the semi-automatic line extension system, the line is automatically extended to ensure that you can cut your lawn with the perfect cutting width at all times. To extend the line, run the motor and tap the line spool on the ground. This will automatically extend the line. The blade on the safety guard will cut the line to the appropriate length. Please note that the more often you activate the semi-automatic line extension system, the more the line will wear.

Note: If the line is too long when you use the equipment for the first time, the surplus end of it will be cut by the blade on the safety guard.

If the line is too short when you start the equipment for the first time, press the knob on the line spool and pull the line hard. When you then start the machine for the first time the line will be cut to the perfect length automatically.

#### Caution! Bits of the line catapulted out into the surroundings could cause injuries!

To obtain maximum performance from your string trimmer, please follow these instructions:

- Never use the string trimmer without the safety guard.
- Do not mow grass when it is wet. The best results are achieved on dry grass.
- To switch on your string trimmer, press the safety lock-off (Fig. 9 / Item 1) and the On/Off switch (Fig. 9 / Item 2).
- To switch off your string trimmer, let go of the On/Off switch (Fig. 9 / Item 2) again.
- Do not allow the string trimmer near the grass until the switch is pressed, i.e. the string trimmer is in operation.
- To cut properly, swing the string trimmer sideways while moving forwards. Keep the string trimmer inclined at an angle of approx. 30° while you do so (see Figs. 10 and 11).
- If the grass is long, the grass must be cut shorter in stages, starting from the tip (see Fig. 12).
- Use the edge guide and the safety guard to prevent unnecessary wear on the line.
- To avoid unnecessary wear on the line, keep the string trimmer away from hard objects.
- To use the edge guide along walls or objects, pull the edge guide forward (see section 5.5). Push it into the string guard when not in use (see section 5.5).

#### Using the grass trimmer as an edge trimmer (Fig. 16)

To cut the edges of lawns alongside e.g. flower beds (vertical cutting), the string trimmer can be converted into a lawn edge trimmer.

Push the guide wheels (Fig. 13 / Item 14) from above onto the mount (Fig. 7 + 13 / pos.. 15) until you hear the wheels latch in place (Fig. 14). To remove the guide wheels, pull the guide wheels release (Fig. 15 / Item 16) while simultaneously pulling the guide wheels up and off.

The lock (Fig. 14 / Item 7) latches in the angle adjuster (Fig. 14 / Item 17). While holding the angle adjuster in place, pull the long handle up and out of the lock and turn it clockwise through 90° until it latches home. Tilt the long handle as required (see section 5.4).

Return the motor head in reverse order to its original position in order to use it as a string trimmer.

## 7. Cleaning and maintenance

### HAZARD!

Always take the battery out of the equipment before starting any cleaning work.

#### 7.1 Cleaning

- Keep all safety devices, air vents and the motor housing free of dirt and dust as far as possible. Wipe the equipment with a clean cloth or blow it down with compressed air at low pressure.
- We recommend cleaning the equipment immediately each time after use.
- Clean the equipment regularly with a damp cloth and some soft soap. Do not use cleaning agents or solvents; these may be aggressive to the plastic parts in the equipment. Ensure that no water can get into the interior of the equipment. The ingress of water into an electric power tool increases the risk of an electric shock.
- Use a brush to remove deposits from the safety guard.

#### 7.2 Replacing the line spool (Fig. 17 – 19)

##### Danger! Remove the battery!

1. Press the line spool housing together at the opposite-lying ribbed push cover points (Item 18) and remove the spool cover (Item 19).
2. Remove the empty line spool.
3. Thread the end of the line from the new line spool (Item 20) through the eyelet (Item 21) of the spool cover and allow approx. 4" of line to project.
4. Press the spool cover back into the line spool housing.

#### 7.3 Maintenance

There are no other parts inside the equipment which require maintenance.



## 8. Disposal and recycling

The equipment is supplied in packaging to prevent it from being damaged in transit. The raw materials in this packaging can be reused or recycled. The equipment and its accessories are made of various types of material, such as metal and plastic. Never place defective equipment in your household refuse. The equipment should be taken to a suitable collection center for proper disposal. If you do not know the whereabouts of such a collection point, you should ask in your local council offices.

## 9. Storage

Store the equipment and its accessories out of children's reach in a dark and dry place at above freezing temperature. The ideal storage temperature is between 41°F and 86°F (5°C and 30°C). Keep the electric tool in its original packaging.

## 10. Faults

### **The equipment does not work:**

Check that the battery is charged and whether the charging unit is working. If the equipment will not work in spite of the voltage supply being OK, bring your string trimmer to the nearest service center.

The reprinting or reproduction by any other means, in whole or in part, of documentation and papers accompanying the products is strictly subject to the express consent of Einhell Germany AG.

Subject to technical changes.

**Danger !**

Certaines mesures de sécurité doivent être respectées pendant l'utilisation des appareils pour empêcher les blessures et les dommages. Par conséquent, lisez attentivement le présent mode d'emploi / les consignes de sécurité. Conservez-les bien pour avoir les informations toujours à la portée de la main. Si vous devez passer l'appareil à d'autres personnes, veuillez leur remettre également le présent mode d'emploi / les consignes de sécurité. Nous ne sommes pas tenus des accidents ou dommages survenus à cause de non-respect du présent mode d'emploi et des consignes de sécurité.

**1. Consignes de sécurité****⚠ Danger !**

**Lisez toutes les consignes de sécurité et instructions.** Le non-respect des consignes de sécurité et des instructions peut causer une électrocution, un incendie et / ou de graves blessures. **Conservez toutes les consignes de sécurité et instructions pour l'avenir.**

**Consignes générales de sécurité pour les outils électriques**

Le terme « outil électrique » utilisé dans les consignes de sécurité se réfère à des outils électriques alimentés par le secteur (avec câble d'alimentation) et à des outils électriques alimentés par la batterie (sans câble d'alimentation).

**1. Sécurité du lieu de travail**

- a) **Maintenez votre espace de travail propre et bien éclairé.** *Le désordre ou les espaces de travail non éclairés peuvent provoquer des accidents.*
- b) **Ne travaillez pas avec l'outil électrique dans une atmosphère explosible contenant des liquides, des gaz ou des poussières combustibles.** *Les appareils électriques génèrent des étincelles pouvant enflammer la poussière ou les vapeurs.*
- c) **Tenez à distance les enfants et autres personnes lors de l'utilisation de l'appareil électrique.** *En cas de distraction, vous pouvez perdre le contrôle de l'appareil.*

**2. Sécurité électrique**

- a) **La fiche de raccordement de l'appareil électrique doit être adaptée à la prise. La fiche ne doit être modifiée en aucune façon. N'utilisez pas de fiche d'adaptateur avec les outils électriques mis à la terre.** *Les fiches non modifiées et les prises adaptées diminuent le risque d'une électrocution.*
  - b) **Évitez le contact physique avec les surfaces mises à la terre, comme celles de conduits, des chauffages, des cuisinières et des réfrigérateurs.** *Il existe un risque élevé d'électrocution lorsque votre corps est mis à la terre.*
  - c) **Gardez les appareils électriques à l'abri de la pluie ou de l'humidité.** *La pénétration de l'eau dans un appareil électrique augmente le risque d'une électrocution.*
  - d) **Ne détournez pas le câble de sa fonction pour porter ou pour accrocher l'appareil électrique ou pour retirer la fiche de la prise. Gardez le câble à l'abri de la chaleur, de l'huile, des bords coupants ou des éléments mobiles de l'appareil.** *Les câbles endommagés ou enchevêtrés augmentent le risque d'une électrocution.*
  - e) **Si vous travaillez avec un appareil électrique dehors, utilisez uniquement une rallonge adaptée à l'usage à l'extérieur.** *L'utilisation d'une rallonge adaptée à l'usage à l'extérieur diminue le risque d'une électrocution.*
  - f) **Si l'appareil électrique doit être utilisé dans un environnement humide, utilisez un Disjoncteur de fuite à la terre.** *L'utilisation d'un disjoncteur de fuite à la terre diminue le risque d'une électrocution.*
- 3. Sécurité des personnes**
- a) **Soyez attentif, prenez garde à ce que vous faites et soyez raisonnable en travaillant avec un outil électrique. N'utilisez pas un appareil électrique si vous êtes fatigué ou si vous vous trouvez sous l'effet de drogues, d'alcool ou de médicaments.** *Un instant d'inattention lors de l'utilisation de l'appareil électrique peut entraîner de graves blessures.*
  - b) **Utilisez l'équipement de protection individuelle. Porter toujours une protection des yeux.** *L'équipement de protection, tel que le masque anti-poussière, les chaussures de sécurité antidérapantes, le casque protecteur ou la protection auditive utilisés dans des conditions appropriées, permet de réduire les*

- dommages corporels.*
- c) **Évitez tout démarrage non intentionnel. S'assurer que le bouton marche-arrêt est en position Arrêt (Off) avant de connecter la source de courant et/ou la BATTERIE, de prendre et de transporter l'outil. Transporter des outils électriques avec votre doigt sur le bouton marche-arrêt ou mettre sous tension des outils électriques dont le bouton marche-arrêt est position Marche (On) peut causer des accidents.**
- d) **Avant d'allumer l'outil électrique, retirez les outils de réglage ou les clés. Un outil ou une clé se trouvant dans un élément tournant de la machine peut entraîner des blessures.**
- e) **Évitez une posture anormale. Ayez un appui stable et gardez l'équilibre en permanence. Vous pouvez ainsi mieux contrôler l'outil électrique dans des situations imprévues.**
- f) **Portez des vêtements appropriés. Ne portez pas de vêtements amples ni de bijoux. Gardez les cheveux, les vêtements et les gants à distance des éléments mobiles. Des vêtements amples, bijoux ou longs cheveux peuvent être happés par les éléments mobiles.**
- g) **Si des dispositifs d'aspiration ou de récupération des poussières peuvent être montés, assurez-vous qu'ils sont connectés et peuvent être utilisés correctement. L'utilisation d'une aspiration des poussières peut diminuer les risques causés par la poussière.**
- h) **La familiarité acquise par l'utilisation fréquente des outils ne doit pas laisser place à la complaisance et à l'ignorance des principes de sécurité de l'outil. Une action imprudente peut causer de graves blessures en une fraction de seconde.**
- 4. Utilisation et traitement de l'outil électrique**
- a) **Ne surchargez pas l'appareil. Utilisez l'outil électrique adapté à votre application. Vous travaillez mieux et de manière plus sûre avec un outil électrique approprié dans la gamme de puissance indiquée.**
- b) **N'utilisez pas un outil électrique avec un interrupteur défectueux. Un outil électrique qui ne peut plus être allumé ou éteint est dangereux et doit être réparé.**
- c) **Débranchez la fiche de la source électrique et / ou retirez la batterie de l'outil électrique, si elle est amovible, avant de procéder à des ajustements, remplacer des accessoires ou ranger les outils électriques. De telles mesures préventives réduisent le risque de démarrage accidentel de l'outil électrique.**
- d) **Conservez les outils électriques non utilisés hors la portée des enfants. Ne permettez pas aux personnes qui ne sont pas familiarisées avec cet appareil ou qui n'ont pas lu ces instructions de l'utiliser. Les outils électriques sont dangereux lorsqu'ils sont utilisés par des personnes inexpérimentées.**
- e) **Entretenez les outils électriques et les accessoires. Vérifiez la dérive d'alignement ou l'attache des pièces mobiles, la rupture des pièces et s'assurer qu'aucun autre problème peut affecter le bon fonctionnement de l'outil électrique. Faire réparer l'outil endommagé avant l'utilisation. De nombreux accidents sont dus au mauvais entretien des outils électriques.**
- f) **Maintenez vos outils de coupe aiguisés et propres. Les outils de coupe aux bords tranchants bien soignés se coincent moins et sont plus aisés à guider.**
- g) **Utilisez l'outil électrique, les accessoires, les outils utilisés, etc. conformément au présent mode d'emploi. Tenez compte des conditions de travail et de l'activité à réaliser. L'utilisation des outils électriques pour des usages autres que prévus peut entraîner des situations dangereuses.**
- h) **Gardez les poignées et les surfaces de prise sèches, propres et exemptes d'huile et de graisse. Les poignées et surfaces de prise glissantes ne permettent pas d'effectuer une manipulation et un contrôle de l'outil en toute sécurité dans des situations imprévues.**
- 5. Utilisation et traitement de l'outil sans fil**
- a) **Chargez les batteries uniquement dans les chargeurs recommandés par le fabricant. L'utilisation d'un chargeur pour des batteries non appropriées présente un risque d'incendie.**
- b) **Utilisez dans les outils électriques uniquement les batteries prévues à cet effet. L'utilisation d'autres batteries peut entraîner des blessures et le risque d'incendie.**
- c) **Conservez la batterie non utilisée à distance des trombones, pièces de monnaie, clés, clous, vis ou autres menus objets en métal susceptibles de provoquer un**

**pontage des contacts.** *Un court-circuit entre les contacts de la batterie peut entraîner des brûlures ou le feu.*

- d) **En cas d'utilisation incorrecte, un liquide peut s'échapper de la batterie. Ne le touchez pas. Rincez à l'eau en cas de contact fortuit. Si le liquide entre en contact avec les yeux, consultez également le médecin.** *Le liquide s'échappant de la batterie peut causer des irritations cutanées ou des brûlures.*
- e) **Ne pas utiliser une BATTERIE ou un outil endommagé(e) ou modifié(e).** *Les batteries endommagées ou modifiées peuvent agir de manière imprévisible et donner lieu à un incendie, une EXPLOSION ou un risque de blessure.*
- f) **Ne pas exposer une BATTERIE ou un outil au feu ou à une température excessive.** *Une exposition au feu ou à une température supérieure à 266°F (130°C) peut causer une explosion.*
- g) **Suivre toutes les instructions de charge et ne pas charger la BATTERIE ou l'outil en dehors de la gamme de température spécifiée dans les instructions.** *Un mauvais chargement ou un chargement à des températures en dehors de la gamme spécifiée peut endommager la BATTERIE et augmenter les risques d'incendie.*
6. **Service**
- a) **Faites réparer votre outil électrique uniquement par des spécialistes qualifiés et uniquement avec des pièces de rechange d'origine.** *Cela garantit le maintien de la sécurité de l'outil électrique.*
- b) **Ne jamais entretenir des BATTERIES endommagées.** *L'entretien des BATTERIES doit être effectué uniquement par le fabricant ou par des prestataires de service autorisés.*
- c) Ne modifiez pas et n'essayez pas de réparer l'appareil ou la batterie (si applicable), sauf exception indiquée dans les instructions d'utilisation et d'entretien.

### 1.) POUR TOUS LES APPAREILS SANS FIL

- Ne chargez pas l'appareil sous la pluie ou dans des locaux humides.
- N'utilisez pas les appareils à batterie sous la pluie. Retirez toujours la batterie avant l'ajustement, le nettoyage, le service ou le transport l'appareil de jardin.

### 2.) POUR TOUS LES PRODUITS SANS FIL AVEC UNE BATTERIE AMOVIBLE OU SÉPARABLE :

- Utilisez uniquement la batterie de type et de taille suivants :  
18V 1,5Ah PXC batterie Li-ion  
18V 2,0Ah PXC batterie Li-ion  
18V 2,5Ah PXC batterie Li-ion  
18V 3,0Ah PXC batterie Li-ion  
18V 4,0Ah PXC batterie Li-ion  
18V 3,0Ah PXC Plus batterie Li-ion  
18V 4,0Ah PXC Plus batterie Li-ion  
18V 5,2Ah PXC Plus batterie Li-ion  
18V 4,0Ah/6,0Ah PXC Plus batterie Li-ion  
18V 5,0Ah/8,0Ah PXC Plus batterie Li-ion
- Ne jetez pas la batterie dans le feu. La cellule peut exploser. Consultez les règlements locaux pour connaître les instructions d'élimination spécifiques possibles.
- N'ouvrez ni n'abîmez la batterie. L'électrolyte libéré est corrosif et peut être dangereux pour les yeux ou la peau. Il peut être toxique s'il est avalé.
- Manipulez la batterie avec précaution afin de ne pas la court-circuiter avec des matériaux conducteurs, tels que les bagues, les bracelets et les clés. La batterie ou le conducteur peuvent surchauffer et causer des brûlures.

### 3.) ÉVITEZ UN DÉMARRAGE INTEMPESTIF – N'INSÉREZ PAS LA BATTERIE ALORS QUE VOTRE DOIGT EST SUR L'INTERRUPTEUR. ASSUREZ-VOUS QUE L'INTERRUPTEUR EST SUR L'ARRÊT EN INSÉRANT LA BATTERIE. RÈGLES DE SÉCURITÉ SUPPLÉMENTAIRES POUR LES COUPE-HERBE ET LES COUPE-BORDURES

- N'utilisez pas de lignes plus lourdes que celles qui sont recommandées dans le présent mode d'emploi.
- N'utilisez pas de matériaux de ligne d'autres types – par exemple, les fils métalliques, les cordes, etc.

### AVERTISSEMENTS DE SÉCURITÉ GÉNÉRAUX POUR LA BATTERIE

- Éliminez la batterie usée vite et promptement. Lors de l'élimination des piles secondaires ou des batteries, gardez les piles ou les batteries de différents systèmes électrochimiques séparément les unes des autres.
- Gardez la batterie hors de portée des enfants dans l'emballage d'origine jusqu'à son utilisation.

- Ne mettez jamais les batteries dans la bouche. Si elles sont avalées, contactez immédiatement le centre antipoison local.
- PRUDENCE – La batterie utilisée dans cet appareil peut présenter un risque d'incendie ou de brûlure chimique en cas de mauvaise manipulation. Remplacez uniquement la batterie de marque principale Einhell / gazon. L'utilisation d'une autre batterie peut présenter un risque d'incendie ou d'explosion.
- AVERTISSEMENT : N'utilisez pas une batterie ou un appareil visiblement endommagé.
- AVERTISSEMENT : Ne modifiez ni n'essayez de réparer l'appareil ou la batterie.
- **LES BATTERIES DOIVENT ÊTRE RECYCLÉES.**
- Ne court-circuitez une cellule ou une batterie. Ne conservez pas les piles ou les batteries au hasard dans une boîte ou un tiroir ou elles peuvent court-circuiter entre elles ou être court-circuitées par les matériaux conducteurs.
- N'exposez pas les piles ou les batteries aux chocs mécaniques.
- Gardez les piles et les batteries dans un endroit propre et sec. Essuyez les bornes des piles ou des batteries avec un linge propre et sec si elles deviennent sales.
- Ne gardez pas les piles et les batteries chargées si vous ne les utilisez pas.
- Conservez la pile et la batterie d'origine. N'utilisez pas d'autres chargeurs que ceux qui sont spécifiquement fournies pour être utilisés avec l'équipement. Les piles et les batteries secondaires doivent être cherchées avant l'utilisation. Utilisez toujours le chargeur correct et référez-vous aux instructions du fabricant ou au mode d'emploi de l'équipement pour consulter les instructions de chargement correctes.
- Si possible, retirez la batterie de l'équipement lorsque vous ne l'utilisez pas.
- Dans des conditions abusives, un liquide peut sortir de la batterie, évitez le contact. En cas de contact accidentel, rincez avec de l'eau. En cas de contact du liquide avec les yeux, consultez un médecin. Le liquide sorti de la batterie peut causer des irritations ou des brûlures.
- Confiez le service à un réparateur qualifié qui utilise uniquement les pièces de rechange identiques. Cela permettra de maintenir la sécurité du produit.
- **Protégez votre batterie de l'humidité, de la pluie et de l'humidité de l'air élevée.**

L'humidité, la pluie et l'humidité de l'air élevée peuvent endommager dangereusement les cellules. En aucun cas, ne chargez ni ne travaillez avec la batterie qui a été exposée à l'humidité, à la pluie ou à l'humidité de l'air élevée – remplacez-les immédiatement !

- Si votre appareil est équipé d'une batterie amovible, retirez-la de votre appareil à la fin de votre travail pour des raisons de sécurité.

#### **CONSIGNES DE SÉCURITÉ IMPORTANTES POUR LE CHARGEUR**

**AVERTISSEMENT :** Ce produit peut contenir du plomb, du phtalate ou autres produits chimiques reconnus par l'État de Californie comme cause de cancer, d'anomalies congénitales et de lésions de l'appareil reproducteur. Veuillez laver vos mains après l'utilisation.

#### **Consignes de sécurité pour coupe-bordure**

- a) **N'utilisez pas l'appareil par mauvais temps, en particulier lorsqu'il y a un risque de foudre.** Cela diminue le risque d'être frappé par la foudre.
- b) **Examinez minutieusement si des animaux sauvages se trouvent dans la zone d'utilisation de l'appareil.** Vous pouvez blesser des animaux sauvages lorsque vous utilisez l'appareil.
- c) **Examinez minutieusement la zone d'utilisation de l'appareil et retirez toutes les pierres, tous les morceaux de bois, fils, os et autres objets.** Les objets projetés par l'appareil peuvent causer des blessures.
- d) **Avant d'utiliser l'appareil, effectuez toujours une vérification visuelle afin de détecter d'éventuels dommages sur la lame et l'unité de coupe.** Les pièces endommagées augmentent le risque de blessure.
- e) **Ne retirez pas les protections. Les protections doivent être opérationnelles et montées correctement.** Une protection desserrée, endommagée ou ne fonctionnant pas correctement peut entraîner des blessures.
- f) **Veillez à ce que toutes les entrées d'air de refroidissement soient dégagées.** Des entrées d'air obstruées et la présence de débris peuvent entraîner une surchauffe ou un risque d'incendie.
- g) **Portez une protection oculaire et une protection auriculaire.** Un équipement de protection approprié réduit le risque de blessures.
- h) **Lorsque vous utilisez l'appareil, portez toujours des chaussures de protection**

**antidérapantes. N'utilisez pas l'appareil lorsque vous êtes pieds-nus ou lorsque vous portez des sandales ouvertes.** Cela réduit le risque de blessures au niveau des pieds en cas de contact avec la lame en mouvement.

- i) **Lorsque vous utilisez l'appareil, portez toujours des pantalons couvrant les jambes.** Le contact avec la lame ou le fil en mouvement peut entraîner des blessures.
- j) **Lorsque vous utilisez l'appareil, veillez à ce que toutes les personnes restent à distance.** Les débris projetés peuvent causer de graves blessures.
- k) **N'utilisez pas l'appareil au-dessus de la taille.** Vous évitez ainsi tout contact involontaire avec la lame et avez un meilleur contrôle de l'appareil dans des situations inattendues.
- l) **Soyez prudent lorsque vous utilisez l'appareil sur l'herbe humide. Marchez. Ne courez jamais.** Cela réduit le risque de glissade et de chute susceptible de causer des blessures.
- m) **N'utilisez pas l'appareil dans des pentes trop raides.** Cela réduit le risque de perte de contrôle, de glissade et de chute susceptible de causer des blessures.
- n) **Lorsque vous utilisez l'appareil dans des pentes, veillez à toujours garder un bon équilibre, tondez toujours la pente de manière transversale, sans jamais monter ni descendre et soyez extrêmement prudent lorsque vous changez de direction.** Cela réduit le risque de perte de contrôle, de glissade et de chute susceptible de causer des blessures.
- o) **Éloignez tous les cordons d'alimentation et tous les câbles de la zone de coupe.** Les cordons d'alimentation et les câbles peuvent être dissimulés dans les haies ou les buissons et peuvent être sectionnés ou endommagés accidentellement par le fil ou la lame.
- p) **Gardez toutes les parties de votre corps à l'écart de la lame ou du fil en mouvement de l'appareil. Débranchez d'abord l'appareil de la source d'alimentation avant d'y retirer des corps étrangers.** La lame ou le fil en mouvement de l'appareil peut causer de graves blessures.
- q) **Portez l'appareil lorsqu'il est éteint et de manière à ce qu'il ne soit pas à proximité de votre corps.** Le maniement correct de l'appareil réduit la probabilité de contact accidentel avec une lame ou un fil en mouvement

de l'appareil.

- r) **Utilisez uniquement les têtes de coupe et les lames ou fils de rechange de l'appareil spécifiés par le fabricant. Ne remplacez pas les lames ou fils de l'appareil par des fils ou lames en métal.** Des pièces de rechange incorrectes peuvent entraîner une perte de contrôle, une défaillance et des blessures.

#### Consignes de sécurité supplémentaires

- Examinez l'objet à couper avant le début du travail. Enlevez les obstacles et débris présents. Veillez aux obstacles et débris pendant le travail. Si, toutefois, vous rencontrez un obstacle pendant la coupe, veuillez mettre l'appareil hors service et enlevez l'obstacle.
- Travaillez uniquement en conditions de visibilité suffisante.
- Tenez toujours l'appareil avec les deux mains. Les pouces et les doigts doivent alors enfermer les poignées.
- Veillez à ce que les poignées soient sèches et propres.
- Pendant les travaux sur une pente, veuillez vous tenir toujours au-dessous de l'outil de coupe. Ne coupez ni ne taillez jamais sur une butte ou une pente lisse et glissante.
- Veillez toujours en travaillant sur la position sûre et solide. Faites attention en reculant, vous pouvez trébucher !
- Si vous devez interrompre le travail pour vous rendre dans un autre espace de travail, veuillez éteindre impérativement l'appareil pendant le déplacement.
- Avant d'allumer l'appareil, assurez-vous que la bobine de fil ne touche pas une pierre ou un autre objet.
- Portez toujours des vêtements adaptés en travaillant pour prévenir les blessures à la tête, aux mains et aux pieds. Porter toujours un pantalon long, des chaussures, des gants et un vêtement à manches longues. Ne pas porter de vêtements flottants, bijoux, pantalons courts ni aller pieds nus. Fixez les cheveux au-dessus des épaules.
- Gardez impérativement l'appareil en marche loin du corps !
- N'allumez pas l'appareil s'il est retourné ou s'il ne se trouve pas en position de travail.
- Éteignez l'appareil et retirez la batterie si : vous n'utilisez pas l'appareil, le laissez sans surveillance, l'inspectez, retirez ou remplacez la bobine, transportez l'appareil d'un endroit à un autre.

- Gardez l'appareil hors de la portée des autres personnes, en particulier des enfants, et des animaux domestiques, l'herbe coupée et projetée peut cacher des pierres et autres objets.
  - Pendant le travail, conservez une distance d'au moins 15 m (50 pi.) par rapport aux autres personnes et aux animaux.
  - Ne coupez pas des objets durs. Ainsi, vous ne vous blesserez pas et n'endommagerez pas l'appareil.
  - Utilisez le bord du garde de protection pour garder l'appareil éloigné des murs, différentes surfaces et des choses fragiles.
  - N'utilisez jamais l'appareil sans le garde de protection.
  - Cet appareil ne doit pas être utilisé par des enfants ainsi que par des personnes avec des capacités physiques, sensorielles ou mentales réduites ou avec un manque d'expérience et de connaissances. Les enfants doivent être surveillés pour qu'ils ne joueront pas avec l'appareil. Ne confiez pas le nettoyage et l'entretien aux enfants.
  - Évitez des postures anormales. Adoptez une position sûre et gardez l'équilibre à tout instant. Maintenez toujours une bonne position sur les surfaces en pente. Ne menez l'appareil qu'au pas.
  - Risque de blessures dû aux pièces mobiles !
  - Ne touchez pas les pièces mobiles avant de retirer la batterie et de mettre complètement à l'arrêt toutes les pièces mobiles.
  - Lisez attentivement le mode d'emploi. Familiarisez-vous avec les dispositifs de commande et l'usage correct de l'appareil.
  - N'autorisez jamais les enfants ou autres personnes qui n'ont pas lu le mode d'emploi d'utiliser l'appareil. Des dispositions locales peuvent fixer l'âge minimal de l'utilisateur.
  - N'oubliez pas que c'est l'utilisateur qui est responsable des accidents ou mises en danger des autres personnes ou de leur propriété.
  - Avant l'utilisation, effectuez toujours une vérification visuelle pour vérifier si les gardes de protection manquent, sont endommagés ou sont montés correctement.
  - N'utilisez jamais l'appareil dans de mauvaises conditions météorologiques, en particulier en cas de risque de foudre.
  - N'utilisez jamais l'appareil avec un garde endommagé ou sans garde.
  - N'allumez le moteur que si vos mains et vos pieds se trouvent hors de la portée de la bobine de fil.
  - Éteignez l'appareil et retirez la batterie :
    - Avant la suppression d'un blocage.
    - Avant l'inspection, le nettoyage ou avant de travailler sur l'appareil.
    - Après le contact avec un corps étranger.
    - Si l'appareil commence à vibrer de manière inhabituelle (examiner immédiatement). L'appareil ne doit être remis en marche jusqu'à ce que la cause des vibrations inhabituelles soit éliminée. Si vous ne trouvez pas la cause de la vibration, contactez un centre de service.
  - Risque de blessures par la bobine de fil ! Gardez les pieds et les mains hors de la portée de la bobine de fil !
  - Utilisez uniquement les pièces de rechange et les accessoires recommandés par le fabricant.
  - Examinez et entretenez l'appareil régulièrement.
- Attention ! Le garde de protection est essentiel pour votre sécurité et celle des autres ainsi que pour le fonctionnement correct de l'appareil. Le non-respect de cette instruction annulera votre garantie, en plus de la création d'une source de danger potentiel.**
- N'essayez pas d'arrêter la bobine de fil avec les mains.
  - Attendez toujours qu'elle s'arrête tout seul.
  - Utilisez uniquement la bobine de fil d'origine.
  - Gardez les ouvertures de ventilation propres.
  - N'essayez pas de couper avec l'appareil l'herbe qui ne pousse pas au sol. Par exemple, n'essayez pas de couper de l'herbe qui pousse sur des murs ou des pierres, etc. Dans la zone de travail du coupe-bordure, l'utilisateur est responsable à l'égard des tiers des dommages causés par l'utilisation de l'appareil.
  - Ne traversez pas les rues ou les chemins avec l'appareil en marche.
  - Si vous n'utilisez pas l'appareil, gardez-le dans un endroit sec hors de la portée des enfants.
  - Utilisez l'appareil uniquement de la manière décrite dans les présentes instructions et tenez-le toujours verticalement par rapport au sol. Toute autre position présente des dangers.
  - Vérifiez régulièrement si les vis sont bien serrées.
  - Gardez toujours la surface à couper exempte de câbles et autres objets.
  - Si l'appareil doit être soulevé pour être trans-

porté, arrêtez le moteur et attendez que la bobine de fil s'immobilise. Arrêtez le moteur avant de laisser l'appareil de côté.

- Ne coupez en aucun cas des objets durs pendant le fonctionnement pour prévenir des blessures de l'opérateur et l'endommagement de l'appareil.
- Utilisez uniquement des pièces d'origine pour les réparations.
- Avant la mise en marche de l'appareil et après toute collision, vérifiez la présence de l'usure ou des dommages et procédez aux réparations nécessaires.
- Gardez toujours les mains et les pieds éloignés de la bobine de fil, surtout au moment d'allumer le moteur.
- Retirez la batterie : avant l'examen, le nettoyage ou les travaux sur l'appareil et lorsqu'il n'est pas utilisé.
- Familiarisez-vous avec les dispositifs de réglage et l'utilisation conforme de l'appareil.
- Interrompez l'utilisation de l'appareil si quelqu'un, les enfants ou les animaux domestiques, se trouvent à proximité.
- N'utilisez jamais l'appareil avec des gardes de protection endommagés ou manquants.
- Ne montez jamais des bobines de fil en métal. Ne remplacez jamais la bobine de fil non-métallique par une bobine de fil métallique.

En cas de travaux prolongés, les vibrations dans les mains de l'opérateur peuvent entraîner des troubles de la circulation sanguine (syndrome de Raynaud).

Le syndrome de Raynaud est un trouble vasculaire de crispation paroxystique des petits vaisseaux sanguins des doigts et des orteils. Les zones concernées ne sont plus suffisamment alimentées en sang ce qui donne un aspect extrêmement pâle.

L'usage fréquent des appareils vibrants peuvent provoquer des lésions nerveuses chez les personnes dont la circulation sanguine est perturbée (par exemple, les fumeurs, les diabétiques).

Si vous remarquez des perturbations inhabituelles, arrêtez immédiatement le travail et consultez un médecin.

Pour réduire les risques, tenez compte des remarques suivantes :

- Couvrez bien votre corps et en particulier vos mains s'il fait froid.
- Faites régulièrement des pauses et bougez vos mains pour stimuler la circulation san-

guine.

- Réduisez au possible la vibration de la machine en moyen des entretiens réguliers et des pièces de l'appareil solidement fixées.

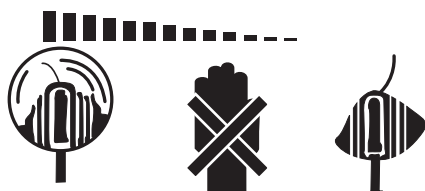
#### Mesures de sécurité lors de la manipulation de la bobine de fil

- Respectez tous les avertissements et les instructions de service et de montage de la bobine de fil.
- La bobine de fil peut être brusquement repoussé par des objets qu'elle ne peut pas couper / faucher. Cela peut entraîner des blessures aux mains et aux jambes. Tenez les personnes et les animaux vous entourant au moins à 15 m (50 pi.) de distance dans toutes les directions par rapport au lieu de travail. Si l'appareil rencontre un corps étranger, arrêtez immédiatement le moteur et attendez que la bobine de fil s'arrête. Vérifiez si la bobine de fil présente des dommages. Remplacez toujours la bobine de fil si elle est tordue ou cassée.
- La bobine de fil rejette violemment des objets. Cela peut causer un aveuglement ou des blessures. Portez des protections des yeux, du visage et des jambes. Retirez toujours des objets de la zone de travail avant d'utiliser la bobine de fil.
- Vérifiez minutieusement l'absence de dommages sur votre appareil et sur les ajouts avant chaque utilisation. N'utilisez pas l'appareil si tous les accessoires de coupe ne sont pas correctement installés.
- Dès que l'interrupteur marche/arrêt est relâché, la bobine de fil continue à fonctionner quelques instants. Pendant ce temps-là, la bobine de fil peut infliger des coupures à vous et aux personnes vous entourant. Avant d'effectuer des travaux sur la bobine de fil, coupez le moteur et assurez-vous que la bobine de fil s'est arrêtée.
- Zone de danger de 15 m (50 pi.) de diamètre. Les personnes se trouvant à proximité peuvent subir un aveuglement ou des blessures. Respectez une distance de 15 m (50 pi.) dans toutes les directions entre vous et les autres personnes ou les animaux.



**Attention : La bobine de fil tourne encore quelques secondes après l'arrêt !**

**La bobine de fil continue à tourner !**



## CONSERVEZ CES INSTRUCTIONS

**Explication de la plaque signalétique sur l'appareil (voir la fig. 20)**

- 1 : Avertissement !
- 2 : Portez la protection visuelle et acoustique !
- 3 : Protégez contre l'humidité !
- 4 : Lisez le mode d'emploi avant l'utilisation !  
AVERTISSEMENT - Débranchez la batterie avant l'entretien»
- 5 : Éloignez les tiers de la zone de danger !
- 6 : La bobine de fil continue à tourner !
- 7 : Conservez les batteries uniquement dans des locaux secs et à une température ambiante de +10 - +40 °C (50-104 °F). Conservez les batteries uniquement en état chargé (au moins 40 % de charge).

## 2. Description de l'appareil et contenu de l'emballage

### 2.1 Description de l'appareil

1. Verrouillage de démarrage
2. Interrupteur marche/arrêt
3. Logement de la batterie
4. Déverrouillage de manche télescopique
5. Poignée supplémentaire
6. Déverrouillage de la poignée supplémentaire
7. Verrou pour tête de moteur rotative
8. Bouton de verrouillage pour l'inclinaison de la tête de moteur
9. Garde de protection
10. Vis de montage
11. Lame de fil
12. Guide-bordure
13. Porte-bobine
14. Roues de guidage
15. Monture de roues de guidage
16. Bride

17. Réglage de l'inclinaison
18. Surfaces striées
19. Couvercle de bobine
20. Bobine de fil
21. Cillet
22. Touche d'enclenchement
23. Bouton de témoin de charge de la batterie
24. Témoin de charge de la batterie

### 2.2 Contenu d'emballage

Veillez contrôler l'intégralité de l'article au moyen du contenu d'emballage décrit. En cas de pièces manquantes, veuillez contacter notre centre de service à la clientèle ou le point de vente où vous avez acheté l'appareil au plus tard dans les 5 jours ouvrables à compter de l'achat de l'article en présentant un ticket de caisse valable.

- Ouvrez l'emballage et retirez prudemment l'appareil.
- Enlevez le matériau d'emballage ainsi que les sécurités d'emballage et de transport (le cas échéant).
- Vérifiez l'intégralité du contenu d'emballage.
- Vérifiez si l'appareil et les accessoires présentent des dommages dus au transport.
- Si possible, conservez l'emballage jusqu'à l'expiration de la durée de garantie.

### Danger !

**L'appareil et le matériau d'emballage ne sont pas un jouet ! Les enfants ne doivent pas jouer avec des sachets en plastique, des films ou de petites pièces ! Il existe le risque d'ingestion et de suffocation !**

- Coupe-bordure avec poignée supplémentaire
- Garde de protection
- Roues de guidage
- Mode d'emploi d'origine avec consignes de sécurité

### Accessoires disponibles séparément

- 18V 1,5Ah PXC batterie Lithium-Ion
- 18V 2,0Ah PXC batterie Lithium-Ion
- 18V 2,5Ah PXC batterie Lithium-Ion
- 18V 3,0Ah PXC batterie Lithium-Ion
- 18V 4,0Ah PXC batterie Lithium-Ion
- 18V 3,0Ah PXC Plus batterie Lithium-Ion
- 18V 4,0Ah PXC Plus batterie Lithium-Ion
- 18V 5,2Ah PXC Plus batterie Lithium-Ion
- 18V 4,0Ah/6,0Ah PXC Plus batterie Lithium-Ion
- 18V 5,0Ah/8,0Ah PXC Plus batterie Lithium-Ion
- 18V PXC chargeur rapide à double raccord
- 18V PXC chargeur rapide

Contactez votre détaillant pour les modèles plus spécifiques de batteries et de chargeurs disponibles dans votre région. Vous pouvez également explorer les options de batterie + chargeur sur [Einhell.com](http://Einhell.com).

### 3. Utilisation conforme

L'appareil est destiné à couper les pelouses, petites surfaces d'herbe dans le jardin privé.


L'équipement conçu pour être utilisé dans les jardins privés et d'agrément est considéré comme inadapté à une utilisation dans les installations publiques, parcs, installations sportives, rues ni dans l'agriculture ou la sylviculture. Le respect du mode d'emploi fourni par le fabricant constitue la condition de l'utilisation conforme de l'appareil.

**Attention ! L'appareil ne doit pas être utilisé pour le broyage au sens de compostage à cause de risques de dommages corporels et matériels.**

La machine ne doit être utilisée que conformément à sa destination. Toute autre utilisation dépassant ce cadre n'est pas conforme. C'est l'utilisateur / l'opérateur qui est responsable de tous les dommages ou blessures de toute nature en résultant et non pas le fabricant.

Veillez noter que nos appareils n'ont pas été conçus pour une utilisation commerciale, artisanale ou industrielle. Nous n'accordons aucune garantie si l'appareil est utilisé dans des entreprises commerciales, artisanales ou industrielles ou pour des activités équivalentes.

### 4. Caractéristiques techniques

Alimentation électrique du moteur:..... 18V   
 Vitesse à vide :.....8500 tr/min  
 Largeur de coupe:..... 30 cm (12")  
 Longueur de bobine de fil:..... 5 m (16,4 pi.)  
 Diamètre du fil:..... 1,6 mm (0,065")  
 Poids (outil seulement):.....2,1 kg (4,6 lb)

### Limitez à un minimum l'émission de bruit et les vibrations !

- Utilisez uniquement des appareils irrécupérables.
- Entretenez et nettoyez l'appareil régulièrement.
- Adaptez votre méthode de travail à l'appareil.
- Ne surchargez pas l'appareil.
- Faites examiner l'appareil le cas échéant.
- Éteignez l'appareil lorsqu'il n'est plus utilisé.
- Portez des gants.

### Attention !

#### Risques résiduels

**Il existe toujours des risques même si vous vous servez correctement de cet outil électrique. Les risques suivants peuvent se produire en rapport avec la structure et la réalisation de cet outil électrique :**

1. Lésions pulmonaires, si vous ne portez pas de masque anti-poussières approprié.
2. Lésions auditives, si vous ne portez pas de protection auditive appropriée.
3. Dommages pour la santé résultant des vibrations mains-bras, si votre appareil est utilisé d'une manière prolongée ou tenu et entretenu de manière incorrecte.

### 5. Avant la mise en service

#### 5.1 Montage du capot de protection (figures 3-4)

Enlevez la vis (figure 2 / pos. 9a) du garde de protection. Insérez le garde de protection (pos. 9) sur le carter du moteur et laissez-le s'enclencher sur le carter du moteur (voir flèche). Fixez le garde de protection avec la vis de montage (pos. 10). Une lame (fig. 2/pos. 10) pour la régulation automatique de la longueur du fil se trouve sur le côté inférieur du garde de protection. Celle-ci est dotée d'un recouvrement de protection. Retirez le recouvrement de protection avant le début des travaux.

#### 5.2 Réglage de la poignée supplémentaire (figure 5)

Tirez le déverrouillage (pos. 6) dans le sens de la flèche et inclinez la poignée supplémentaire. La poignée supplémentaire peut s'enclencher dans 5 positions de travail et une position de rangement. Le fonctionnement est uniquement autorisé lorsque la poignée supplémentaire est enclenchée.

### 5.3 Réglage de la hauteur (figure 6)

Tirez le déverrouillage (pos. 4) et réglez la hauteur de travail souhaitée sur le tube télescopique. Le tube télescopique doit s'enclencher de manière audible. Le fonctionnement est uniquement autorisé lorsque le tube télescopique est enclenché.

### 5.4 Réglage de l'angle d'inclinaison de la tête de moteur (figure 7)

Appuyez sur le bouton pour le réglage de l'angle d'inclinaison (pos. 8). Vous pouvez à présent régler la tête de moteur à l'angle d'inclinaison désiré. Pour fixer l'angle d'inclinaison, relâchez le bouton et laissez-le s'enclencher. 4 crans d'arrêt sont possibles.

#### Avertissement ! Risque de blessure !

Si l'angle d'inclinaison du manche n'est pas réglé correctement, vous risquez de vous blesser et d'endommager le coupe-bordure.

- Utilisez le coupe-bordure uniquement lorsque la tête de moteur et le bouton sont enclenchés dans une des trois positions de l'angle d'inclinaison et lorsque la tête de moteur est bien fixée.
- N'utilisez pas le coupe-bordure lorsque la tête de moteur n'est pas enclenchée.

### 5.5 Utilisation du guide-bordure (figure 7)

Il y a 2 points d'arrêt (longueur de guide-bordure minimum / maximum). Pour modifier la position du guide-bordure (pos. 12) après enclenchement, tirez ou poussez-le hors du dispositif d'arrêt.

### 5.6 Montage de la batterie (figure 9)

Appuyez sur la touche d'enclenchement (22) de la batterie et insérez la batterie dans le logement de la batterie prévu à cet effet. Veillez à ce que la touche d'enclenchement s'enclenche ! Le démontage de la batterie s'effectue dans l'ordre inverse !

#### Danger !

Ne mettez l'appareil en marche que lorsque vous avez entièrement terminé le montage.

## 6. Fonctionnement

### 6.1 Chargement de la batterie au Lithium-Ion (non inclus)

Vous trouverez les instructions correspondantes dans le mode d'emploi d'origine de votre chargeur.

### 6.2 Affichage de la capacité de la batterie (image 8)

Appuyez sur l'interrupteur de l'affichage de la capacité de la batterie (23). L'affichage de la capacité de la batterie (24) signale l'état de charge de la batterie au moyen de 3 DEL.

#### Les 3 DEL s'allument:

La batterie est complètement chargée.

#### 2 ou 1 DEL s'allument:

La batterie a une charge résiduelle suffisante.

#### 1 DEL clignote:

La batterie est déchargée, chargez la batterie.

#### Tous les voyants clignotent :

La température de la batterie est trop basse. Retirez la batterie de l'appareil, laissez-la à température ambiante pendant une journée. Si le défaut se reproduit, cela signifie que la batterie rechargeable a subi une décharge complète et est défectueuse. Retirez la batterie de l'équipement. N'utilisez ou ne chargez jamais une batterie défectueuse.

Le coupe-bordure possède un système d'allongement de fil semi-automatique. À chaque actionnement du système d'allongement de fil semi-automatique, le fil est automatiquement rallongé afin que vous puissiez toujours couper votre gazon à la longueur optimale. Pour allonger le fil de coupe, laissez tourner le moteur et tapotez la bobine de fil sur le sol. Le fil est automatiquement rallongé. La lame du garde de protection raccourcit le fil à la longueur admissible. Veuillez tenir compte de l'usure du fil qui augmente en actionnant fréquemment l'allongement automatique de fil.

**Remarque :** Si vous mettez votre machine en marche pour la première fois, le bout du fil de coupe qui dépasse éventuellement, en excédent, est raccourci par la lame coupante du garde de protection.

Si le fil est trop court lors de la première mise en marche, appuyez sur le bouton au niveau de la bobine de fil et tirez fortement sur le fil pour le faire sortir. Lors de la première mise en route, le fil de coupe est automatiquement coupé à la longueur optimale.

**Attention ! Des objets éjectés par le fil peuvent provoquer des blessures !**

Pour obtenir la meilleure performance de votre coupe-bordure, suivez les instructions suivantes :

- N'utilisez jamais le coupe-bordure sans garde de protection.
- Ne coupez pas l'herbe lorsqu'elle est mouillée. Vous obtiendrez les meilleurs résultats lorsque l'herbe est sèche.
- Pour mettre en marche votre coupe-bordure, appuyez sur le verrouillage de démarrage (fig. 9/pos. 1) et sur l'interrupteur marche/arrêt (fig. 9/pos. 2).
- Pour éteindre votre coupe-bordure, relâchez l'interrupteur marche/arrêt (fig. 9/pos. 2).
- N'approchez le coupe-bordure de l'herbe que lorsque l'interrupteur est enfoncé, autrement dit lorsque le coupe-bordure fonctionne.
- Pour couper correctement, pivotez l'appareil latéralement et avancez. Maintenez, ce faisant, le coupe-bordure inclinée d'environ 30° (voir figures 10 et 11).
- Si l'herbe est haute, coupez-la par étape en partant de la pointe (voir figure 12).
- Utilisez le guide-bordure ainsi que le garde de protection afin d'éviter une usure du fil inutile.
- Maintenez le coupe-bordure à l'écart d'objets durs afin d'éviter une usure de fil inutile.
- Pour utiliser le guide-bordure le long de murs ou d'objets, tirez le guide-bordure (voir point 5.5) vers l'avant. En cas de non-utilisation, poussez-le dans le garde de protection (voir point 5.5).

#### Utilisation en tant que coupe-bordure (figures 16)

Pour couper les bords de pelouses par exemple au niveau des plates-bandes (coupe verticale), l'appareil peut être transformée en coupe-bordure.

Insérez les roues de guidage (fig. 13 / pos. 14) sur le montage de roues de guidage (fig. 7 + 13 / pos. 15) par le haut jusqu'à ce que les roues s'enclenchent de manière audible (fig. 14). Pour enlever les roues de guidage, tirez sur la bride (fig. 15/pos. 16) tout en retirant les roues de guidage vers le haut.

Le verrou pour tête de moteur rotative (fig. 14/ pos. 7) s'enclenche dans le réglage de l'inclinaison (fig. 14/pos. 17). Maintenez le réglage de l'inclinaison, tirez le manche vers le haut hors du verrou et tournez-le vers la droite de 90° jusqu'à ce qu'il s'enclenche. Inclinez la tête de moteur en cas de besoin (voir point 5.4).

Ramenez la tête de moteur dans sa position initiale dans l'ordre inverse des étapes.

## 7. Nettoyage et entretien

### Danger !

Avant tout travail de nettoyage, retirez la batterie de l'appareil.

#### 7.1 Nettoyage

- Maintenez les dispositifs de protection, les fentes d'aération et les carters de moteur aussi exempt de poussières et de saletés que possible. Frottez l'appareil avec un linge propre et nettoyez-le à l'air comprimé à basse pression.
- Nous recommandons de nettoyer l'appareil directement après chaque utilisation.
- Nettoyez l'appareil régulièrement avec un linge humide et un peu de savon doux. N'utilisez pas de détergeant ni de solvants ; ils peuvent détériorer les éléments en plastique de l'appareil. Veillez à ce que l'eau ne puisse pas pénétrer à l'intérieur de l'appareil. La pénétration de l'eau dans un appareil électrique augmente le risque d'une électrocution.
- Enlevez les dépôts sur le garde de protection à l'aide d'une brosse.

#### 7.2 Remplacement de la bobine de fil (figures 17 – 19)

### Danger ! Retirez la batterie !

1. Comprimez le porte-bobine au niveau des surfaces striées opposées (pos. 18) et enlevez le couvercle de la bobine (pos. 19).
2. Retirez la bobine de fil vide.
3. Introduisez l'extrémité du fil de la nouvelle bobine de fil (pos. 20) en passant par l'œillet (pos. 21) du couvercle de la bobine et en laissant dépasser le fil d'environ 10 cm (4"). Appuyez le couvercle de la bobine dans le porte-bobine.

#### 7.3 Entretien

L'intérieur de l'appareil ne contient pas de pièces exigeant un entretien.

## 8. Élimination et recyclage

L'appareil se trouve dans un emballage pour empêcher les dommages dus au transport. Cet emballage constitue une matière première et peut par conséquent est réutilisé ou peut être recyclé. L'appareil et ses accessoires sont fabriqués à partir de différents produits, comme par exemple le métal et les matières plastiques. Ne jetez pas les appareils défectueux dans les déchets ménagers. Pour être éliminé de façon appropriée, l'appareil devrait être déposé à un lieu de collecte approprié. Si vous ne connaissez aucun lieu de collecte, informez-vous auprès de l'administration municipale.

## 9. Entreposage

Entreposez l'appareil et ses accessoires dans un endroit sombre, sec et exempt de gel ainsi que hors la portée des enfants. La température d'entreposage optimale se situe entre 41 °F et 86 °F (5 °C et 30 °C). Entreposez l'outil électrique dans l'emballage d'origine.

## 10. Défaillances

### **L'appareil ne marche pas :**

Vérifiez si la batterie est chargée et si le chargeur fonctionne. Si l'appareil ne fonctionne pas étant sous tension, veuillez voir un centre de service.

Une réimpression ou toute autre reproduction de la documentation et des documents accompagnant les produits, même par extraits, ne sont autorisées qu'avec accord exprès d'Einhell Germany AG.

Sous réserve des modifications techniques.

**Peligro!**

Al usar aparatos es preciso tener en cuenta una serie de medidas de seguridad para evitar lesiones o daños. Por este motivo, es preciso leer atentamente este manual de instrucciones/advertencias de seguridad. Guardar esta información cuidadosamente para poder consultarla en cualquier momento. En caso de entregar el aparato a terceras personas, será preciso entregarles, asimismo, el manual de instrucciones/advertencias de seguridad. No nos hacemos responsables de accidentes o daños provocados por no tener en cuenta este manual y las instrucciones de seguridad.

**1. Instrucciones de seguridad****⚠ Peligro!**

**Lea todas las instrucciones de seguridad e indicaciones.** El incumplimiento de dichas instrucciones e indicaciones puede provocar descargas, incendios y/o daños graves. **Guarde todas las instrucciones de seguridad e indicaciones para posibles consultas posteriores.**

**Instrucciones generales de seguridad para herramientas eléctricas**

El término de "herramienta eléctrica" que se usa en las instrucciones de seguridad se refiere a las herramientas que funcionan en red (con cable de conexión) y con batería (sin cable de conexión).

**1. Seguridad en el lugar de trabajo**

- a) **Mantener limpia y bien iluminada la zona de trabajo.** *Las zonas de trabajo desordenadas o sin luz pueden conllevar accidentes.*
- b) **No trabajar con este aparato eléctrico en un entorno explosivo en el que se hallen líquidos, gases o polvos inflamables.** *Las herramientas eléctricas generan chispas que pueden inflamar el polvo o los vapores.*
- c) **Mantener alejados a niños y a otras personas fuera del alcance de la herramienta eléctrica.** *Las distracciones pueden hacer perder el control sobre el aparato.*

**2. Seguridad eléctrica**

- a) **El enchufe del aparato eléctrico debe ser el adecuado para la toma de corriente. El enchufe no debe ser modificado de ningún modo. No emplear adaptadores de enchufe con aparatos eléctricos puestos a tierra.** *Los enchufes sin modificar y*

*las tomas de corriente adecuadas reducen el riesgo de una descarga eléctrica.*

- b) **Evitar el contacto corporal con superficies con toma de tierra como tubos, calefacciones, fogones y frigoríficos.** *Existe un gran riesgo de descarga eléctrica si su cuerpo se halla puesto a tierra.*
  - c) **Mantener los aparatos eléctricos alejados de la lluvia o la humedad.** *Si entra agua en el aparato eléctrico existirá mayor riesgo de una descarga eléctrica.*
  - d) **No utilizar el cable de forma inadecuada, no utilizarlo para transportar el aparato, colgarlo o retirarlo de la toma de corriente. Mantener el cable alejado del calor, aceites, cantos afilados o partes del aparato en movimiento.** *Los cables dañados o mal enrollados aumentan el riesgo de descarga eléctrica.*
  - e) **Si se trabaja con una herramienta eléctrica al aire libre, emplear sólo alargaderas que también sean adecuadas para el exterior.** *El empleo de una alargadera apropiada para trabajos en el exterior reduce el riesgo de descarga eléctrica.*
  - f) **Si no se puede evitar tener que utilizar la herramienta eléctrica en un entorno húmedo, utilizar un dispositivo de protección diferencial.** *El uso de un dispositivo de protección diferencial reduce el riesgo de sufrir una descarga eléctrica.*
- 3. Seguridad de personas**
- a) **Prestar atención al trabajo, comprobar lo que se está haciendo y proceder de forma razonable durante el trabajo de una herramienta eléctrica. No emplear la herramienta eléctrica si se está cansado o bajo la influencia de drogas, alcohol o medicamentos.** *Una mínima falta de atención durante el uso de la herramienta eléctrica puede causar lesiones graves.*
  - b) **Llevar equipo de protección personal. Llevar siempre gafas protectoras.** *El equipo de protección (como mascarilla antipolvo, calzado de seguridad antideslizante, casco o protección auditiva) usado en las condiciones adecuadas sirve para reducir las lesiones personales.*
  - c) **Prevenir un arranque no intencionado. Asegurarse de que el interruptor se encuentre en la posición OFF antes de conectar la herramienta a la fuente eléctrica y/o BATERÍA, alzarla o transportarla.** *El transporte de herramientas eléctricas con*

*el dedo en el interruptor o la activación de herramientas eléctricas con el interruptor en ON puede provocar accidentes.*

- d) **Retirar las herramientas de ajuste o la llave antes de conectar la herramienta eléctrica.** *Una herramienta o llave que se haya olvidado en partes giratorias del aparato puede producir lesiones.*
- e) **Evitar trabajar en una posición corporal inadecuada. Adoptar una posición segura y mantener en todo momento el equilibrio.** *Ello permite controlar mejor la herramienta eléctrica en situaciones inesperadas.*
- f) **Llevar ropa de trabajo adecuada. No llevar ropa holgada ni joyas durante el trabajo. Mantener el cabello, la ropa y los guantes alejados de las piezas en movimiento.** *La ropa holgada, las joyas o los cabellos largos pueden ser atrapados por las piezas en movimiento.*
- g) **Si el aparato permite instalar dispositivos de aspiración y recogida del polvo, es preciso asegurarse de que estén conectados y se empleen de forma correcta.** *La utilización de un aspirador de polvo puede reducir los peligros provocados por el mismo.*
- h) **A pesar de estar muy familiarizado con el uso de las herramientas, no confiarse en exceso ni ignorar las normas de seguridad de la herramienta.** *Un descuido puede conllevar una lesión grave en milésimas de segundo.*

#### 4. Empleo y tratamiento de la herramienta eléctrica

- a) **No sobrecargar el aparato. Usar la herramienta eléctrica específica para cada trabajo.** *Con la herramienta eléctrica adecuada se trabaja mejor y con más seguridad permaneciendo dentro de la potencia indicada.*
- b) **No usar ninguna herramienta eléctrica cuyo interruptor esté defectuoso.** *Una herramienta eléctrica que ya no pueda conectarse o desconectarse conlleva peligros y debe repararse.*
- c) **Desconectar el enchufe de la toma de corriente y/o retirar la batería, si es desmontable, de la herramienta eléctrica antes de realizar cualquier ajuste, cambiar accesorios o almacenarla.** *Este tipo de medidas de seguridad preventivas sirve para reducir el riesgo de poner en marcha la herramienta eléctrica de manera involuntaria.*
- d) **Guardar las herramientas eléctricas que**

**no se usen fuera del alcance de los niños. No permitir el uso del aparato a personas que no estén familiarizadas con él o no hayan leído estas instrucciones.** *Las herramientas eléctricas son peligrosas si las usan personas sin experiencia.*

- e) **Realizar el mantenimiento de las herramientas eléctricas y los accesorios. Comprobar que las piezas móviles no estén desajustadas ni atascadas, que las piezas no presenten rotura ni otras condiciones que puedan afectar al funcionamiento de la herramienta eléctrica.** *En caso de que la herramienta eléctrica esté dañada, es preciso que sea reparada antes de utilizarla de nuevo. Muchos accidentes se provocan a causa de un mantenimiento deficiente de la herramienta eléctrica.*
  - f) **Mantener limpias y afiladas las herramientas de corte.** *Las herramientas de corte bien cuidadas con cantos afilados se bloquean con menor frecuencia y pueden manejarse de forma más sencilla.*
  - g) **Respetar estas instrucciones cuando se desee utilizar la herramienta eléctrica, los accesorios, piezas de recambio, etc. Para ello, tener en cuenta las condiciones de trabajo y la tarea a ejecutar.** *El uso de herramientas eléctricas para otros fines diferentes a los previstos puede originar situaciones peligrosas.*
  - h) **Mantener asas y empuñaduras secas, limpias y libres de aceite y grasa.** *Las asas y empuñaduras resbaladizas impiden manejar con seguridad y controlar la herramienta en situaciones inesperadas.*
- #### 5. Empleo y tratamiento de la herramienta eléctrica
- a) **Cargar la batería sólo en cargadores recomendados por el fabricante.** *Existe el peligro de incendio si se utiliza un cargador, indicado sólo para un tipo concreto de baterías, para otro tipo de baterías.*
  - b) **Utilizar sólo las baterías indicadas para la herramienta eléctrica en cuestión.** *El uso de otras baterías puede provocar daños y conllevar peligro de incendio.*
  - c) **Mantener cualquier batería que no se esté utilizando alejada de grapas, monedas, llaves, clavos, tornillos u otros objetos metálicos pequeños que podrían provocar un puenteo de los contactos.** *Un cortocircuito entre los contactos de la batería puede tener como consecuencia quemadu-*

- ras o provocar fuego.
- d) **Si se utiliza incorrectamente podría salir líquido de la batería. Evitar el contacto con el líquido. En caso de tocar accidentalmente el líquido, lavar la zona afectada con agua. Si el líquido penetra en los ojos, acudir a un médico. El líquido de la batería puede provocar irritaciones en la piel o quemaduras.**
- e) **No utilizar BATERÍAS ni herramientas que estén dañadas o modificadas. Las baterías dañadas o modificadas pueden manifestar comportamientos impredecibles que pueden dar lugar a incendio, EXPLOSIÓN o riesgo de lesión.**
- f) **No exponer una BATERÍA ni herramienta al fuego o a una temperatura excesiva. La exposición al fuego o a una temperatura superior a los 266°F (130°C) puede provocar una explosión.**
- g) **Seguir todas las instrucciones de carga y no cargar la BATERÍA ni herramienta fuera del margen de temperatura especificado en las instrucciones. Una carga inadecuada o a temperaturas fuera del margen especificado puede dañar la batería e incrementar el riesgo de incendio.**
- 6. Servicio**
- a) **Sólo especialistas cualificados deben reparar la herramienta eléctrica, empleando para ello únicamente piezas de repuesto originales. Esta forma de proceder garantiza la seguridad de la herramienta eléctrica.**
- b) **No reparar nunca BATERÍAS dañadas. La reparación de las BATERÍAS dañadas solo la puede llevar a cabo el fabricante o un distribuidor autorizado.**
- c) No modificar ni intentar reparar el aparato o la batería (si aplicable) de forma distinta a lo que se indique en las instrucciones de uso y conservación.
- 1.) PARA TODOS LOS APARATOS QUE FUNCIONAN CON BATERÍA:**
- No cargar el aparato bajo la lluvia ni en lugares húmedos.
  - No utilizar aparatos que funcionan con batería bajo la lluvia. Quitar o desconectar siempre la batería antes de realizar ajustes, limpiar, reparar o transportar el aparato de jardín.
- 2.) PARA TODOS LOS APARATOS QUE FUNCIONAN CON UNA BATERÍA DESMONTABLE:**
- Usar solo el siguiente tipo y tamaño de batería:
    - 18V 1.5Ah PXC batería Li-Ion
    - 18V 2.0Ah PXC batería Li-Ion
    - 18V 2.5Ah PXC batería Li-Ion
    - 18V 3.0Ah PXC batería Li-Ion
    - 18V 4.0Ah PXC batería Li-Ion
    - 18V 3.0Ah PXC Plus batería Li-Ion
    - 18V 4.0Ah PXC Plus batería Li-Ion
    - 18V 5.2Ah PXC Plus batería Li-Ion
    - 18V 4.0Ah/6.0Ah PXC Plus batería Li-Ion
    - 18V 5.0Ah/8.0Ah PXC Plus batería Li-Ion
  - No tirar la batería al fuego. La célula puede explotar. Consultar la legislación local en material de eliminación de residuos.
  - No abrir ni cortar la batería. El electrolito que sale de la misma es corrosivo y puede lesionar los ojos o la piel. Puede ser tóxico si se ingiere.
  - Tener cuidado al manipular la batería para no cortocircuitarla con materiales conductivos como anillos, pulseras o llaves. La batería o el conductor se puede sobrecalentar y provocar quemaduras.
- 3.) EVITAR UN ARRANQUE INVOLUNTARIO: NO INSERTAR LA BATERÍA MIENTRAS SE TIENE EL DEDO EN EL INTERRUPTOR. ASEGURARSE DE QUE EL INTERRUPTOR ESTÉ EN OFF CUANDO SE INSERTE LA BATERÍA. NORMAS ADICIONALES DE SEGURIDAD PARA RECORTABORDES Y RECORTADORAS DE CÉSPED**
- No utilizar cables más pesados de lo recomendado en este manual.
  - No utilizar materiales de cable de otros tipos, como por ejemplo metálicos, de cuerda ni similares.
- ADVERTENCIAS GENERALES DE SEGURIDAD PARA LA BATERÍA**
- Desechar la batería usada a tiempo y de manera adecuada. A la hora de desechar células o baterías secundarias, mantener separadas las células o baterías de distintos sistemas electromecánicos.
  - Mantener la batería fuera del alcance de los niños y en el embalaje original hasta que estén listas para su uso.
  - No meterse nunca la batería en la boca. De ingerirse, ponerse de inmediato en contacto con el centro de toxicología local.



- **CUIDADO:** la batería que se utiliza en este dispositivo puede conllevar riesgo de incendio o quemadura química si se abusa de ella. Sustituir la batería exclusivamente por otra de la marca Einhell o la marca recomendada. El uso de cualquier otra batería puede conllevar riesgo de incendio o explosión.
- **ADVERTENCIA:** no utilizar una batería o aparato que esté visiblemente dañado.
- **ADVERTENCIA:** no modificar ni intentar reparar el aparato ni la batería.
- **LAS BATERÍAS SE TIENEN QUE RECICLAR.**
- No cortocircuitar la célula ni la batería. No guardar las células ni baterías de manera descuidada en una caja o en un cajón donde se puedan cortocircuitar entre sí o por materiales conductivos.
- No someter las células o baterías a choques mecánicos.
- Mantener las células y baterías limpias y secas. Si se ensucian, frotarlas con un paño limpio y seco.
- No mantener las células o baterías secundarias en carga si no se usan.
- Mantener las células y baterías originales. No utilizar un cargador que no se haya facilitado específicamente para usar con el equipo. Las células y baterías secundarias se tienen que cargar antes de su uso. Utilizar siempre el cargador correcto y consultar las instrucciones del fabricante o el manual del equipo para saber cómo cargar correctamente.
- Siempre que sea posible, quitar la batería del equipo cuando no se use.
- En caso de uso excesivo, es posible que algo de líquido goteé de la batería. Evitar el contacto. En caso de contacto accidental, lavar con agua. Si el líquido entra en contacto con los ojos, buscar atención médica. El líquido que sale de la batería puede causar irritación o quemaduras.
- Encargar el servicio exclusivamente a una persona cualificada que use solo piezas de repuesto idénticas. Solo así se podrá mantener la seguridad del producto.
- **Proteger la batería de la humedad, la lluvia y la humedad ambiental elevada.** La humedad, la lluvia y la humedad ambiental elevada pueden provocar daños peligrosos en las celdas. No cargar ni trabajar nunca con baterías que hayan estado expuestas a la humedad, la lluvia o humedad ambiental elevada, ¡reemplazarlas de inmediato!
- Si el aparato está dotado de una batería extraíble, por motivos de seguridad será preciso extraerla una vez finalizado el trabajo.

#### **INSTRUCCIONES DE SEGURIDAD IMPORTANTES PARA EL CARGADOR**

**ADVERTENCIA:** Este producto puede contener plomo, ftalato u otros productos químicos que según el Estado de California pueden provocar cáncer, malformaciones en el feto u otros daños reproductivos. Lavarse las manos después de utilizarlo.

#### **Advertencias de seguridad de la recortadora de césped y recortabordes de césped**

- a) **No utilizar la máquina cuando haga mal tiempo, especialmente si hay riesgo de relámpagos.** Así se reduce el riesgo de ser alcanzado por un relámpago.
- b) **Inspeccionar a fondo en cuanto a vida silvestre la zona donde se vaya a utilizar la máquina.** La vida silvestre puede resultar dañada por la máquina durante su funcionamiento.
- c) **Inspeccionar a fondo la zona en la que se vaya a utilizar la máquina y retirar todas las piedras, palos, cables, huesos y demás cuerpos extraños.** Los objetos que salgan despedidos pueden provocar lesiones personales.
- d) **Antes de usar la máquina, proceder siempre a una inspección visual para ver que la cuchilla y el ensamblaje de la cuchilla no estén dañados.** Las piezas dañadas aumentan el riesgo de sufrir lesiones.
- e) **Mantener los dispositivos de protección en su lugar. Los dispositivos de protección deben hallarse correctamente montados y en estado operativo.** Un dispositivo de protección que esté suelto, dañado o que no funcione correctamente puede ocasionar lesiones personales.
- f) **Mantener todas las entradas de aire de refrigeración despejadas de residuos.** Las entradas de aire bloqueadas y los residuos pueden provocar sobrecalentamiento o riesgo de incendio.
- g) **Llevar gafas protectoras y protección para los oídos.** Un equipo de protección adecuado reducirá las lesiones personales.
- h) **Mientras se opera la máquina, llevar siempre puesto calzado antideslizante de seguridad. No operar la máquina con los pies descalzos ni con sandalias abiertas.** Así se reduce la posibilidad de lesionarse los pies por entrar en contacto con la cuchilla en

- movimiento.
- i) **Usar siempre ropa como, p. ej., pantalones que cubran las piernas del usuario mientras se opera la máquina.** El contacto con el hilo o la cuchilla en movimiento puede provocar lesiones.
- j) **Mantener alejados a los transeúntes mientras se opera la máquina.** Los residuos que salgan despedidos pueden provocar lesiones personales graves.
- k) **No operar la máquina a una altura por encima de la cintura.** Así se evitará el contacto involuntario con la cuchilla y se podrá controlar mejor la máquina en situaciones inesperadas.
- l) **Tener cuidado al operar la máquina en césped húmedo. Caminar, no correr jamás.** Así se reduce el riesgo de resbalar y caer pudiendo ocasionar lesiones personales.
- m) **No operar la máquina en pendientes demasiado inclinadas.** Así se reduce el riesgo de perder el control, resbalar y caer pudiendo ocasionar lesiones personales.
- n) **Al trabajar en pendientes, es preciso asegurarse siempre de mantener el equilibrio, trabajar siempre en sentido transversal a la cara de la pendiente, jamás hacia arriba o hacia abajo, y extremar la precaución al cambiar de dirección.** Así se reduce el riesgo de perder el control, resbalar y caer pudiendo ocasionar lesiones personales.
- o) **Mantener todos los cables, incluidos los de alimentación, alejados de la zona de corte.** Los cables, incluidos los de alimentación, pueden estar ocultos en setos o arbustos y pueden resultar dañados o cortados accidentalmente por el hilo o la cuchilla.
- p) **Mantener todas las partes del cuerpo alejadas del hilo o de la cuchilla de la recortadora en movimiento. No despejar material de la máquina hasta que haya sido desconectada de la fuente de alimentación.** El hilo o la cuchilla de la recortadora en movimiento puede ocasionar lesiones personales graves.
- q) **Transportar la máquina apagada y alejada del cuerpo.** Si se manipula de manera adecuada, se reduce la posibilidad de entrar accidentalmente en contacto con un hilo o cuchilla de la recortadora en movimiento.
- r) **Utilizar únicamente aquellos cabezales de corte e hilos o cuchillas de recortadora especificados por el fabricante. No**

#### **sustituir los hilos o cuchillas de recortadora por hojas o alambres de metal.**

Las piezas de repuesto incorrectas pueden ocasionar roturas, lesiones o hacer perder el control.

#### **Instrucciones de seguridad adicionales**

- Compruebe el material que desea cortar antes de empezar a trabajar. Retirar cualquier objeto o cuerpo extraño. Durante el trabajo, evitar cortar material inadecuado. No obstante, si se topa con algún obstáculo durante el trabajo, poner inmediatamente la máquina fuera de servicio (soltando el botón de encendido) y retirar dicho obstáculo.
- Trabaje únicamente con visibilidad suficiente.
- Sujetar siempre el aparato con las dos manos. De manera que todos los dedos rodeen la empuñadura.
- Asegurarse de que las empuñaduras estén secas y limpias.
- Al cortar el césped en una pendiente, colocarse siempre debajo de la herramienta de corte. No cortar ni recortar en una pendiente (o similar) resbaladiza.
- Al trabajar, procure mantener siempre una posición firme y segura. ¡Prestar atención al caminar hacia atrás, peligro de tropezar!
- Desconectar el aparato antes de interrumpir su trabajo para desplazarse a otro lugar.
- Antes de poner en marcha el aparato, asegúrese de que el dispositivo de corte no esté en contacto con piedras ni otros objetos.
- Trabaje siempre con la indumentaria apropiada para así evitar lesiones en cabeza, manos o pies. Usar siempre pantalones largos y gruesos, botas, guantes y una camisa de manga larga. No llevar ropa holgada, joyas, pantalones cortos, sandalias ni estar descalzo. Atarse el cabello de manera que quede por encima del nivel de los hombros.
- Mantenga el aparato alejado del cuerpo siempre que esté funcionando.
- No encienda el aparato si este se encuentra vuelto hacia arriba o no se encuentra en posición operativa.
- Apagar el aparato y retirar la batería: Cuando no se utilice el aparato o se deje desatendido, cuando se controle, se retire o cambie la bobina y transporte el aparato de un lugar a otro.
- Mantener el aparato fuera del alcance de otras personas, especialmente de niños, así como de animales domésticos; en el césped cortado y propulsado podrían hallarse pie-

- dras u otros objetos.
- Mientras esté trabajando, mantenga una distancia mínima de 15 m con respecto a las demás personas y animales.
  - No intentar cortar contra objetos duros. De esta forma se evitará sufrir lesiones y que el aparato se deteriore.
  - Utilice el borde del dispositivo de seguridad para mantener el aparato alejado de paredes, otros tipos de superficies y objetos frágiles.
  - Bajo ningún pretexto utilizará el aparato sin el dispositivo de seguridad.
  - Este aparato no podrá ser utilizado por niños ni personas cuyas capacidades estén limitadas física, sensorial o psíquicamente o que no dispongan de la experiencia o los conocimientos necesarios. Vigilar a los niños para asegurarse de que no jueguen con el aparato. Los niños no pueden limpiar ni realizar trabajos de mantenimiento en el aparato.
  - Evitar trabajar en una posición corporal inadecuada. Adoptar una posición segura y mantener en todo momento el equilibrio. Asegurarse de tener una posición segura si se trabaja en pendientes. Emplear la máquina únicamente caminando a velocidad normal.
  - Peligro de accidente por piezas peligrosas móviles.
  - No tocar las piezas móviles hasta que no se haya quitado la batería y se encuentren completamente paradas.
  - Leer con detenimiento las instrucciones de uso. Familiarizarse con los elementos de mando y el uso correcto del aparato.
  - No dejar nunca la máquina al alcance de niños, ni tampoco en manos de personas que no estén familiarizadas con las instrucciones de uso. La edad mínima del usuario puede estar regulada por disposiciones locales.
  - No olvidar que el usuario es el propio responsable en caso de accidentes o peligros frente a otras personas o sus pertenencias.
  - Antes de usar las herramientas es preciso realizar siempre un control visual para comprobar que los dispositivos de protección o cubiertas no falten, no estén dañados y estén bien montados.
  - No utilizar nunca el aparato cuando las condiciones meteorológicas sean desfavorables, especialmente si existe riesgo de tormenta.
  - No utilizar nunca el aparato sin cubiertas o dispositivos de protección o cuando estén dañados.
  - Encender el motor solo cuando los pies y las manos se encuentren fuera del radio de alcance del dispositivo de corte.
  - Apagar el aparato y retirar la batería,
    - siempre que se deje el aparato sin vigilancia.
    - antes de eliminar un bloqueo.
    - antes de los trabajos de comprobación, limpieza o mantenimiento del aparato.
    - tras entrar en contacto con un cuerpo extraño.
    - siempre que el aparato empiece a vibrar de manera inusual (inspeccionar de inmediato).
  - El aparato solo se podrá volver a poner en funcionamiento una vez se haya subsanado la causa de la vibración. Si no se descubre la causa de la vibración, ponerse en contacto con el servicio de asistencia técnica.
  - Peligro de accidente por el dispositivo de corte. Mantener los pies y las manos alejados del dispositivo de corte.
  - Emplear exclusivamente piezas de repuesto y accesorios que hayan sido recomendados por el fabricante.
  - Comprobar el aparato y someterlo a mantenimiento periódicamente.
- ¡Atención! El dispositivo de seguridad es esencial para garantizar su seguridad y la seguridad de terceros, así como un funcionamiento correcto de la máquina. La no observancia de estas disposiciones conlleva la pérdida del derecho a garantía, al mismo tiempo que origina una fuente potencial de peligros.**
- No intentar detener el dispositivo de corte con las manos.
  - Esperar siempre a que se detenga por sí solo.
  - No utilizar un dispositivo de corte que no sea el original.
  - Mantener limpios los orificios para el aire.
  - No utilizar el aparato para cortar césped que no crezca en el suelo; por ejemplo, no intentar cortar césped que crezca en muros, piedras, etc. Durante los trabajos con la recortadora de césped, el usuario será el responsable ante terceros de los daños y perjuicios ocasionados por su uso.
  - No cruzar calles o caminos con el aparato encendido.
  - Cuando no se utilice el aparato, es preciso mantenerlo en un lugar seco y fuera del alcance de los niños.
  - Utilice el aparato únicamente como se describe en este manual de instrucciones y manténgalo en todo momento en posición vertical

con respecto al suelo. Cualquier otra posición entraña riesgo.

- Comprobar periódicamente que los tornillos estén correctamente apretados.
- Las superficies a cortar han de mantenerse despejadas en lo que respecta a cables y demás objetos.
- En caso de tener que elevar el aparato, será preciso parar el motor y esperar a que la herramienta se detenga. Parar el motor antes de abandonar el aparato.
- No deben realizarse cortes sobre objetos duros para evitar posibles lesiones al usuario y deterioros del aparato.
- Para su mantenimiento utilice únicamente piezas de recambio originales.
- Antes de la puesta en marcha del aparato y después de cualquier impacto, comprobar que no presente señales de desgaste o deterioro y ponerse en contacto con el servicio de reparaciones en caso de ser necesario.
- Mantener siempre las manos y los pies alejados del dispositivo de corte, sobre todo, al conectar el motor.
- Quitar la batería: antes de limpiar la máquina o efectuar controles o trabajos en la misma, así como cuando no se utilice.
- Familiarizarse con los dispositivos de mando y regulación y el manejo adecuado del aparato.
- Dejar de utilizar la máquina cuando haya personas, especialmente niños, o animales domésticos en las inmediaciones.
- No utilizar la máquina sin dispositivos de protección o cuando estén dañados.
- No montar nunca elementos de corte metálicos. No sustituir nunca un dispositivo de corte no metálico por uno metálico.

En caso de trabajos prolongados, la persona que opere la máquina podrá sufrir trastornos circulatorios en las manos (síndrome de los dedos blancos) debido a las vibraciones.

El síndrome de Raynaud (dedos blancos) es una enfermedad vascular que consiste en la contracción repentina de los pequeños vasos sanguíneos de los dedos de los pies y de las manos. Deja de llegar la sangre suficiente a las áreas afectadas, con lo que éstas presentan una extrema palidez. El uso frecuente de aparatos vibratorios pueden causar lesiones nerviosas a aquellas personas con trastornos circulatorios (p. ej.: fumadores, diabéticos).

Si se siente algún tipo de malestar, interrumpir el trabajo y ponerse en contacto con un médico.

Para reducir los peligros, tener en cuenta las siguientes indicaciones:

- Cuando haga frío, mantener el cuerpo caliente, especialmente las manos.
- Hacer regularmente pausas en el trabajo y mover las manos para estimular la circulación sanguínea.
- Intentar que la vibración de la máquina sea lo más baja posible realizando tareas de mantenimiento periódicamente y fijando bien las piezas en el aparato.

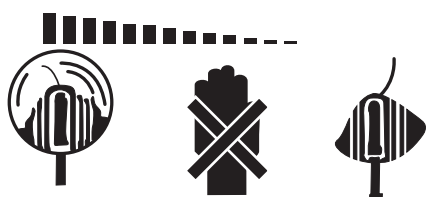
#### **Medidas de seguridad a tomar en el manejo de la cuchilla de corte**

- Seguir todos los avisos e instrucciones para el funcionamiento y para montaje de la cuchilla de corte.
- La cuchilla de corte puede salir proyectada bruscamente al entrar en contacto con objetos que no pueda cortar/desbrozar. Esto podría causar heridas en brazos o piernas. Mantener a las personas y animales a una distancia mínima de 15 m en todas las direcciones de la zona donde se esté utilizando la máquina. En caso de que la máquina se tope con cuerpos extraños, parar el motor de inmediato y esperar a que la cuchilla de corte se detenga completamente. Comprobar que la cuchilla de corte no haya sufrido ningún daño. Sustituir la cuchilla de corte siempre que esté deformada o agrietada.
- La cuchilla de corte proyecta con fuerza todo tipo de objetos. Esto puede provocar ceguera o heridas. Es preciso llevar protección para ojos, cara y piernas. Antes de colocar la cuchilla de corte, retirar cualquier objeto que se encuentre en la zona de trabajo.
- Antes de cada uso, comprobar minuciosamente que el aparato y sus accesorios no estén dañados. No utilizar el aparato si no están correctamente instalados todos los accesorios de la cuchilla de corte.
- La cuchilla de corte se para lentamente al soltar el acelerador. Mientras la cuchilla se está deteniendo, puede ocasionar daños al usuario o a otras personas. Antes de efectuar cualquier trabajo en la cuchilla de corte, parar el motor y asegurarse de que la cuchilla se encuentre totalmente parada.
- Diámetro de zona de peligro: 50 pies (15 metros). Las personas en las inmediaciones pueden sufrir ceguera o daños. Mantener una distancia de 50 pies (15 metros) en todas las direcciones entre el usuario y otras personas o animales cuando se estén realizando este

tipo de trabajos.

**Atención: el dispositivo de corte sigue girando por inercia tras haber apagado el aparato.**

**La herramienta sigue en marcha por inercia**



## GUARDE ESTAS INSTRUCCIONES

**Explicación de la placa de advertencia en el aparato (véase fig. 20)**

- 1: Aviso:
- 2: Ponerse un casco, unas gafas de trabajo y protectores auditivos.
- 3: Proteger el aparato de la humedad.
- 4: Es preciso observar atentamente estas instrucciones de uso antes de la puesta en marcha. **ADVERTENCIA:** Desconecte el acumulador antes de realizar trabajos de mantenimiento.
- 5: Mantener a terceras personas alejadas de la zona de peligro.
- 6: La herramienta sigue en marcha por inercia.
- 7: Almacenamiento de las baterías sólo en espacios secos con una temperatura ambiente de 50°F to 104°F (+10°C to +40°C). Guardar las baterías únicamente cuando estén cargadas (mín. al 40%).

## 2. Descripción del aparato y volumen de entrega

### 2.1 Descripción del aparato

1. Botón de bloqueo de conexión
2. Interruptor ON/OFF
3. Alojamiento para la batería
4. Desbloqueo del mango
5. Empuñadura adicional
6. Desbloqueo empuñadura adicional
7. Dispositivo de retención cabezal motorizado giratorio
8. Botón de retención para inclinación del mango
9. Cubierta de protección

10. Tornillo de montaje
11. Cuchilla de hilo
12. Guía de bordes
13. Carcasa de la bobina de hilo
14. Ruedas guía
15. Montar
16. Llevar
17. Ajustador de ángulo
18. Puntos rasgados
19. Cubierta del carrete
20. Carrete de línea
21. Ojete
22. Dispositivo de retención
23. Pulsador para indicar la capacidad de batería
24. Indicador de capacidad de batería

### 2.2 Volumen de entrega

Sirviéndose de la descripción del volumen de entrega, comprobar que el artículo esté completo. Si faltase alguna pieza, dirigirse a nuestro Service Center o a la tienda especializada más cercana en un plazo máximo de 5 días laborales tras la compra del artículo presentando un recibo de compra válido.

- Abrir el embalaje y extraer cuidadosamente el aparato.
- Retirar el material de embalaje, así como los dispositivos de seguridad del embalaje y para el transporte (si existen).
- Comprobar que el volumen de entrega esté completo.
- Comprobar que el aparato y los accesorios no presenten daños ocasionados durante el transporte.
- Si es posible, almacenar el embalaje hasta que transcurra el periodo de garantía.

### Peligro!

**¡El aparato y el material de embalaje no son un juguete! ¡No permitir que los niños jueguen con bolsas de plástico, láminas y piezas pequeñas! ¡Riesgo de ingestión y asfixia!**

- Recortadora de césped con empuñadura adicional
- Cubierta de protección
- Ruedas guía
- Manual de instrucción original con instrucción de seguridad

### Accesorios disponibles por separado

18V 1.5Ah PXC batería Li-Ion  
 18V 2.0Ah PXC batería Li-Ion  
 18V 2.5Ah PXC batería Li-Ion  
 18V 3.0Ah PXC batería Li-Ion  
 18V 4.0Ah PXC batería Li-Ion  
 18V 3.0Ah PXC Plus batería Li-Ion  
 18V 4.0Ah PXC Plus batería Li-Ion  
 18V 5.2Ah PXC Plus batería Li-Ion  
 18V 4.0Ah/6.0Ah PXC Plus batería Li-Ion  
 18V 5.0Ah/8.0Ah PXC Plus batería Li-Ion  
 18V PXC cargador rápido de doble Puerto  
 18V PXC cargador rápido

Comuníquese con su distribuidor local para obtener modelos más específicos de baterías y cargadores disponibles en su área. Explorar las opciones de batería y cargador en einhell.com.

### 3. Uso adecuado


El aparato está indicado para cortar el césped en jardines privados.

Se define como jardines privados todos aquellos que no formen parte de instalaciones públicas, parques, polideportivos, calles, zonas agrícolas ni forestales. La observancia de las instrucciones de uso especificadas por el fabricante constituye un requisito indispensable para manejar el aparato de forma adecuada.

**¡Atención! El aparato no debe emplearse para triturar material con el fin de obtener compost, puesto que se podrían producir daños personales y materiales.**

Utilizar la máquina sólo en los casos que se indican explícitamente como de uso adecuado. Cualquier otro uso no será adecuado. En caso de uso inadecuado, el fabricante no se hace responsable de daños o lesiones de cualquier tipo; el responsable es el usuario u operario de la máquina. Tener en consideración que nuestro aparato no está indicado para un uso comercial, industrial o en taller. No asumiremos ningún tipo de garantía cuando se utilice el aparato en zonas industriales, comerciales o talleres, así como actividades similares.

### 4. Características técnicas

Alimentación de tensión de motor:..... 18V   
 Velocidad en vacío: .....8500 RPM (min<sup>-1</sup>)  
 Ancho de corte:..... 12" (ø 30 cm)  
 Dimensiones línea desbrozadora:.. 16.4 pies (5 m)  
 Diámetro del hilo: ..... 0.065" (1.6 mm)  
 Peso (solo herramienta):..... 4.6 lb (2.1 kg)

#### ¡Reducir la emisión de ruido y las vibraciones al mínimo!

- Emplear sólo aparatos en perfecto estado.
- Realizar el mantenimiento del aparato y limpiarlo con regularidad.
- Adaptar el modo de trabajo al aparato.
- No sobrecargar el aparato.
- En caso necesario dejar que se compruebe el aparato.
- Apagar el aparato cuando no se esté utilizando.
- Llevar guantes.

#### Cuidado!

##### Riesgos residuales

**Incluso si esta herramienta se utiliza adecuadamente, siempre existen riesgos residuales. En función de la estructura y del diseño de esta herramienta eléctrica pueden producirse los siguientes riesgos:**

1. Lesiones pulmonares en caso de que no se utilice una mascarilla de protección antipolvo.
2. Lesiones auditivas en caso de que no se utilice una protección para los oídos adecuada.
3. Daños a la salud derivados de las vibraciones de las manos y los brazos si el aparato se utiliza durante un largo periodo tiempo, no se sujeta del modo correcto o si no se realiza un mantenimiento adecuado.

### 5. Antes de la puesta en marcha

#### 5.1 Montaje de la cubierta de protección (fig. 3-4)

Retirar el tornillo (fig. 2/pos. 9a) de la cubierta de protección. Colocar la cubierta de protección (pos. 9) en la carcasa del motor y dejar que se encaje en la misma (ver flecha). Fijar la cubierta de protección con el tornillo de montaje (pos. 10). En el lado interior de la cubierta de protección se encuentra una cuchilla (fig. 2/pos. 10) para la regulación automática de la longitud del hilo. Dicha cuchilla está dotada de una tapa protec-

tora. Antes de empezar a trabajar, retirar la tapa protectora.

### 5.2 Ajuste de la empuñadura adicional (fig. 5)

Tirar del desbloqueo (pos. 6) en la dirección de la flecha e inclinar la empuñadura adicional. Se dispone de 5 posiciones de trabajo y una posición de almacenamiento en las que la empuñadura auxiliar se encaja. Solo se puede poner en funcionamiento el aparato con la empuñadura adicional encajada.

### 5.3 Regulación en altura (figura 6)

Tirar del desbloqueo (pos. 4) y ajustar la altura de trabajo deseada en el tubo telescópico. Se debe poder escuchar cómo se encaja el tubo telescópico. Solo se puede poner en funcionamiento el aparato con el tubo telescópico encajado.

### 5.4 Regulación del ángulo de inclinación del mango guía (fig. 7)

Pulsar el botón para regular el ángulo de inclinación (pos. 8). A continuación, se puede ajustar el mango al ángulo de inclinación deseado. Para fijar el ángulo de inclinación, soltar el botón y se enclavará el mango. Se dispone de 4 posiciones.

#### ¡Aviso!

#### ¡Peligro de accidente!

Si el ángulo de inclinación del mango guía no está bien ajustado, cabe la posibilidad de lesionarse o de dañar la recortadora de césped.

- Utilizar la recortadora de césped cuando el mango guía y el botón estén encajados en una de las cuatro posiciones para el ángulo de inclinación y el mango esté bien sujeto.
- No utilizar la recortadora de césped si el mango guía no está enclavado.

### 5.5 Cómo emplear la guía de bordes (fig. 7)

Hay 2 puntos de retención (longitud mínima/máxima de la guía de bordes). Para cambiar la posición de la guía de bordes (pos. 12) después de que se haya encajado, tirar de ella o empujarla para sacarla del bloqueo.

### 5.6 Montaje de la batería (fig. 8-9)

Presionar el dispositivo de retención (22) de la batería y deslizarla en el alojamiento previsto para ello. Asegurarse de que el dispositivo de retención se enclave. Para desmontar la batería, seguir los mismos pasos en orden inverso.

#### ¡Peligro!

Poner el aparato en funcionamiento una vez esté completamente montado.

## 6. Manejo

### 6.1 Cómo cargar la batería de litio (no incluido en el volumen de entrega)

Las instrucciones correspondientes se encuentran en el manual de instrucciones original del cargador.

### 6.2 Indicador de capacidad de batería (fig. 8)

Pulsar el interruptor para acceder al indicador de capacidad de la batería (23). El indicador de capacidad de batería (24) le indica el estado de carga de la batería sirviéndose de 3 LEDs.

#### Los 3 LED están iluminados:

La batería está completamente cargada.

#### 2 o 1 LED están iluminados

La batería dispone de suficiente carga residual.

#### 1 LED parpadea:

La batería está vacía, es preciso cargarla.

#### Si todos los LED parpadean:

La temperatura de la batería es demasiado baja. Quitar la batería del aparato y dejarla durante un día a temperatura ambiente. Si vuelve a aparecer el fallo, la batería se ha descargado completamente y está defectuosa. Quitar la batería del aparato. Está prohibido emplear o cargar una batería defectuosa.

La recortadora de césped dispone de un sistema prolongador de hilo parcialmente automático. Al accionar el sistema prolongador, el hilo se alarga automáticamente, de forma que siempre corta el césped con el ancho óptimo. Para alargar el hilo de corte, dejar que le motor marche y apretar la bobina de hilo contra el suelo. El hilo se alarga automáticamente. La cuchilla en el panel protector corta el hilo a la longitud permitida. Tener en cuenta que una activación frecuente del sistema prolongador aumenta el desgaste del hilo.

**Advertencia:** Cuando la máquina se ponga en funcionamiento por primera vez, la cuchilla de la cubierta de protección cortará el extremo remanente del hilo de corte que sobresalga.

Si el hilo es demasiado corto durante la primera puesta en marcha, pulsar el botón de la bobina de hilo y tirar con fuerza del hilo. En el primer arranque el hilo se acorta de forma automática a la longitud óptima.

**¡Atención! ¡Los trozos de hilo de nailon que salgan disparados pueden provocar lesiones!**

Para obtener la potencia máxima de la recortadora de césped, es preciso seguir atentamente las indicaciones a continuación:

- No utilizar la recortadora de césped sin dispositivo de protección.
- No cortar el césped cuando esté húmedo. Los mejores resultados se obtienen cuando el césped está seco.
- Para poner en marcha la recortadora de césped, pulsar el botón de bloqueo de conexión (fig. 9/pos. 1) y el interruptor ON/OFF (fig. 9/pos. 2).
- Para apagar la recortadora de césped, volver a soltar el interruptor ON/OFF (fig. 9/pos. 2).
- Acercar la recortadora al césped únicamente cuando el interruptor se encuentre pulsado, es decir, cuando el aparato esté en marcha.
- Para cortar correctamente, desplazar lateralmente el aparato y avanzar hacia delante. Sostener la recortadora de césped con una inclinación de aprox. 30° (véanse fig. 10 y fig. 11).
- Si la hierba ha crecido excesivamente, empezar a cortarla por lo alto repitiendo el corte varias veces (véase fig. 12).
- Utilizar la guía de cantos, así como la cubierta de protección, para evitar un desgaste innecesario del hilo.
- Mantener la recortadora de césped alejada de objetos duros para evitar un desgaste innecesario del hilo.
- Para utilizar la guía de cantos en paredes u objetos, tirar de la guía de cantos (ver apartado 5.5) hacia adelante. Si no se necesita, meterla en la cubierta de protección (véase apartado 5.5).

**Utilización de la recortadora de césped como bordeadora (fig. 16)**

Para cortar los bordes de césped, por ejemplo en setos (corte vertical), la recortadora de césped se puede utilizar como bordeadora de césped.

Encajar las ruedas guía (fig. 13/pos. 14) en el alojamiento (fig. 7 + 13/punto 15) desde arriba hasta que se escuche que las ruedas se han encajado (fig. 14). Para retirar las ruedas guía, tirar de la lengüeta (fig. 15/pos. 16) y al mismo tiempo tirar de las ruedas guía hacia arriba.

El bloqueo (fig. 14/pos. 7) encaja en la regulación de inclinación (fig. 14/pos. 17). Sujetar la regula-

ción de inclinación, tirar del mango hacia arriba sacándolo del bloqueo y girarlo 90° hacia la derecha hasta que se enclave. De ser necesario, inclinar el mango guía (véase apartado 5.4).

Para utilizar el cabezal motorizado como cortacésped, volver a colocarlo en su posición original en orden inverso.

## 7. Mantenimiento y limpieza

### Peligro!

Desenchufar la batería antes de realizar trabajos de limpieza.

### 7.1 Limpieza

- Reducir al máximo posible la suciedad y el polvo en los dispositivos de seguridad, las rendijas de ventilación y la carcasa del motor. Frotar el aparato con un paño limpio o soplarlo con aire comprimido manteniendo la presión baja.
- Se recomienda limpiar el aparato tras cada uso.
- Limpiar el aparato con regularidad con un paño húmedo y un poco de jabón blando. No utilizar productos de limpieza o disolventes ya que se podrían deteriorar las piezas de plástico del aparato. Es preciso tener en cuenta que no entre agua en el interior del aparato. Si entra agua en el aparato eléctrico existirá mayor riesgo de una descarga eléctrica.
- Eliminar los residuos acumulados en la cubierta de protección con un cepillo.

### 7.2 Cómo cambiar la bobina de hilo (fig. 17-19)

#### ¡Peligro! ¡Retirar las baterías!

1. Apretar la carcasa de la bobina del hilo en las superficies estriadas opuestas (pos. 18) y retirar la cubierta de la bobina (pos. 19).
2. Sacar la bobina de hilo vacía.
3. Introducir el extremo del hilo de la nueva bobina (pos. 20) a través del orificio (pos. 21) de la cubierta de la bobina y dejar que el hilo se asome unos 4".

### 7.3 Mantenimiento

No hay que realizar el mantenimiento a más piezas en el interior del aparato.



## 8. Eliminación y reciclaje

El aparato está protegido por un embalaje para evitar daños producidos por el transporte. Este embalaje es materia prima y, por eso, se puede volver a utilizar o llevar a un punto de reciclaje. El aparato y sus accesorios están compuestos de diversos materiales, como, p. ej., metal y plástico. Los aparatos defectuosos no deben tirarse a la basura doméstica. Para su eliminación adecuada, el aparato debe entregarse a una entidad recolectora prevista para ello. En caso de no conocer ninguna, será preciso informarse en el organismo responsable del municipio.

## 9. Almacenamiento

Guardar el aparato y sus accesorios en un lugar oscuro, seco, protegido de las heladas e inaccesible para los niños. La temperatura de almacenamiento óptima se encuentra entre los 41°F y 86°F (5 y 30 °C). Guardar la herramienta eléctrica en su embalaje original.

## 10. Averías

### **El aparato no funciona:**

Comprobar que la batería esté cargada y que el cargador funcione. En caso de que el aparato no funcione a pesar de haber tensión, enviarlo a la dirección indicada del servicio de asistencia técnica.

Sólo está permitido copiar la documentación y documentos anexos del producto, o extractos de los mismos, con autorización expresa de Einhell Germany AG.

Nos reservamos el derecho a realizar modificaciones técnicas









A series of horizontal lines for writing, starting from the top right and extending down to the bottom of the page.



[www.Einhell.com](http://www.Einhell.com)

EH 12/2022 (01)