



GLBV2501 ELECTRIC BLOWER SHREDDER VAC

GLBV 2501 ELECTRIC BLOWER VAC



8
METRE CABLE



collection bag
LTRS
45

KM/H

270KM/H
AIR SPEED

10:1

MULCHING
RATIO

3
Functions - Blow - Vacuum - Mulch



VARIABLE SPEED CONTROL



Now you have purchased a Gardenline® product you can rest assured in the knowledge that as well as your 3 year parts and labour warranty you have the added peace of mind of dedicated helplines and web support

AFTER SALES SUPPORT

UK / N.IRELAND HELPLINE NO 0151 649 1500
REP. IRELAND HELPLINE NO 1890 946 6244
AFTER SALES SUPPORT www.einhell-uk.co.uk

MODEL NUMBER: 8027

MONTH ON SALE: 08/2010 36

THIS BOX INCLUDES:

1 x BLOWER VAC
1 x DEBRIS BAG • 1 x CARRY STRAP
1 x GUIDE ROLLER

GLBV2501 08/2010

THE POWER GUIDE

Contents

- 03 Introduction
- 04 General Information & Safety Instructions
- 08 Assembly and Parts List
- 10 Instructions
- 17 Other Useful Information
- 19 Warranty Card

Packaging

The unit is supplied in packaging to prevent its contents being damaged in transit. This packaging is raw material and can therefore be reused or can be recycled.

Introduction

1

Congratulations on choosing to buy a Gardenline® Essentials product. By doing so you now have the assurance and peace of mind that comes with purchasing a product made by one of Europe's leading manufacturers.

All products brought to you by Gardenline® Essentials are manufactured to the highest standards of performance and safety, and, as part of our philosophy of customer service and satisfaction, are backed by our comprehensive 3 Year Warranty.

Great care has gone into the manufacture of this product and it should therefore provide you with years of service when used properly. In the event of product failure within its intended use over the course of the first 3 years after date of purchase, we will remedy the problem as quickly as possible once it has been brought to our attention. In the unlikely event of such an occurrence, or if you require any information about the product, please contact us via our helpline support services, details of which are to be found both in this manual and on the product itself.

We hope you will enjoy using your purchase for many years to come.

General Information & Safety Instructions

2

When using the equipment, a few safety precautions must be observed to avoid injuries and damage.

Please read the complete operating manual with due care. Keep this manual in a safe place, so that the information is available at all times. If you give the equipment to any other person, give them these operating instructions as well.

We accept no liability for damage or accidents which arise due to non-observance of these instructions and the safety information.

Safety information

General instructions

Read the complete operating manual with due care. Acquaint yourself with the controls and how to use the tool.

- All persons (including children) who, for reasons of physical, sensory or mental ability or inexperience or lack of knowledge, are not in a position to be able to use this device safely, should not use the device unsupervised or without instruction by or from a responsible person.

Children must always be supervised in order to ensure that they do not play with the device.

- Never allow children to use the tool.
- Never allow other persons who are not familiar with the operating instructions to use the tool.

- Never use the tool when there are people – particularly children – or pets nearby.
- The user is responsible for any accidents or hazards suffered by third parties or their property.

Preparation

Always wear sturdy footwear and long trousers when using the tool. Never wear loose fitting clothes or jewellery. They may get drawn into the suction opening. Rubber gloves and non-slip shoes are recommended when working outdoors. Wear a hair net if you have long hair.

- Wear eye protection while you work.
- Use a dust mask when working on dusty jobs
- Always check the tool, the power cable and the extension cable before using the tool. Only operate the tool when it is in good working order and is not damaged in any way. Damaged parts have to be replaced immediately by a qualified electrician.
- Never use the tool if any of its safety devices or guards are damaged or if any safety attachments such as deflectors and/or grass catching devices are missing.
- When working outdoors, use only extension cables which are approved for outdoor use. Extension cables must have a minimum crosssection of 1.5 mm². The plug connections must be splash-proof.

Operation

- Always trail the power cable behind the tool.
- If the power cable or extension cable is damaged, pull the plug out of the socket. NEVER TOUCH THE CABLE BEFORE THE PLUG HAS BEEN PULLED OUT OF THE SOCKET.

- Do not carry the tool by its power cable.
 - Always pull out the power plug:
 - when the tool is not being used, when it is being transported or when you leave it unsupervised.
 - when you are checking the tool, cleaning it or removing blockages.
 - when you want to carry out cleaning or maintenance work on the tool or replace accessories.
 - after the tool impacts with foreign bodies or you notice unusual vibrations.
- Use the tool only in broad daylight or in well-lit conditions.
- Do not underestimate the forces involved. Make sure you stand squarely and keep your balance at all times.
- If possible, avoid using the tool on wet grass.
- Ensure that you maintain a steady foothold particularly while working on slopes.
- Never run carrying the equipment.
- Always keep the ventilation opening clean.
- Never direct the vacuum/blow hole at persons or animals.
- The machine may only be used at reasonable times of the day, i.e. not in the early morning or late evening when it will be a nuisance to other people. Permitted times of use specified by local authorities must be observed.
- The machine must be run at the lowest possible motor speed required to carry out the work.
- Remove all foreign objects with a rake and brush before starting any blowing work.
- Where conditions are dusty, dampen the surface a little or use a sprinkler attachment.
- Use the full-length blower nozzle extension so that the air current can work near to the ground.
- Watch out for children, pets, open windows etc. and blow the foreign objects safely away from them.

Maintenance and storage

- Check that all nuts, bolts and screws are securely tightened in order to be sure that the machine is in a safe working condition.
- Frequently check the debris bag for signs of wear and deformation.
- Use only genuine accessories and spare parts. To order replacement bags call the after sales helpline on 0151 649 1500.
- For your own safety, replace worn or damaged parts without delay.
- Electric tools should be kept in a dry place when not in use.
- If the mains cable for this device is damaged, it must be replaced by the manufacturer or its after-sales service or similarly trained personnel to avoid danger.

The tool can be plugged into any socket-outlet (with 230 V AC) that is equipped with a 10A fuse or higher. The socket-outlet has to be safeguarded by an earthleakage circuit breaker (e.l.c.b.). The operating current must not exceed 30 mA.

CAUTION!

Read all safety regulations and instructions.

Any errors made in following the safety regulations and instructions may result in an electric shock, fire and/or serious injury. Keep all safety regulations and instructions in a safe place for future use.

Explanation of the warning signs on the equipment (see Fig. 8)

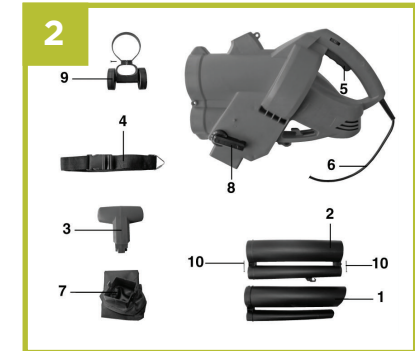
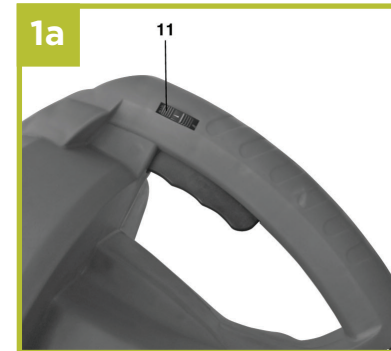
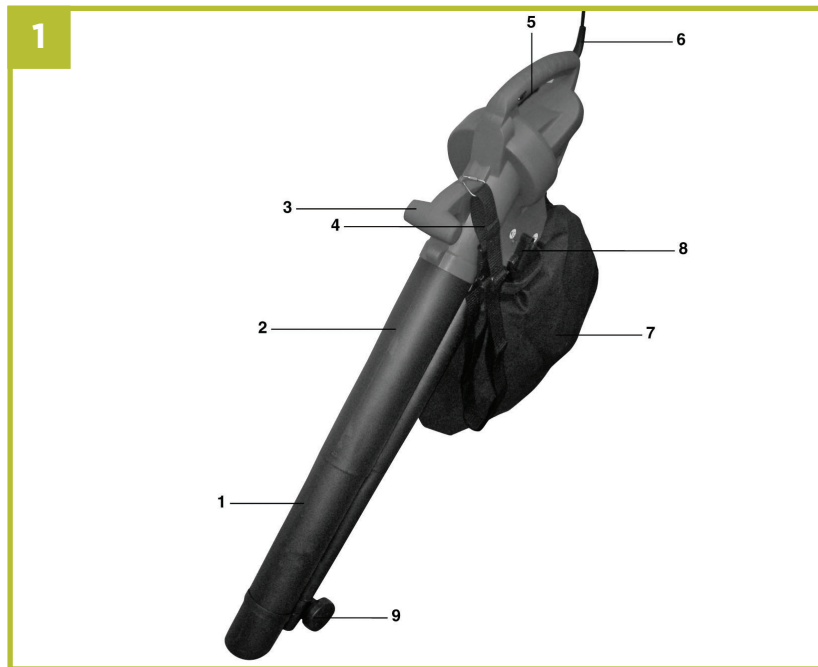
1. Read the directions for use before operating the tool.
2. Do not use the tool in rain or snow. Do not expose the tool to wet conditions.
3. Keep all other persons away from the working areas.
4. Wear eye protection and ear defenders.
5. Switch off the tool and pull out the power plug before carrying out any cleaning or maintenance work.
6. Rotating parts. Keep your hands and feet away from all openings.

Assembly & Parts List

3

Layout (Fig.1/1a & fig 2)

- 1. Front suction tube
- 2. Rear suction tube
- 3. Handle
- 4. Carrying strap
- 5. ON/OFF switch
- 6. Power cord
- 7. Debris bag
- 8. Selector switch for vacuum/blower
- 9. Guide roller
- 10. Screws for suction tube assembly
- 11. Speed controller



Proper use

The garden blower vac is designed to handle only foliage and garden refuse such as grass and small branches. Any other use is prohibited.

The equipment is to be used only for its prescribed purpose. Any other use is deemed to be a case of misuse. The user / operator and not the manufacturer will be liable for any damage or injuries of any kind caused as a result of this.

Please note that our equipment has not been designed for use in commercial, trade or industrial applications. Our warranty will be voided if the machine is used in commercial, trade or industrial businesses or for equivalent purposes.

Instructions

4

Before starting the equipment

Before you connect the equipment to the mains supply make sure that the data on the rating plate are identical to the mains data. Always disconnect the power before making adjustments to the equipment.

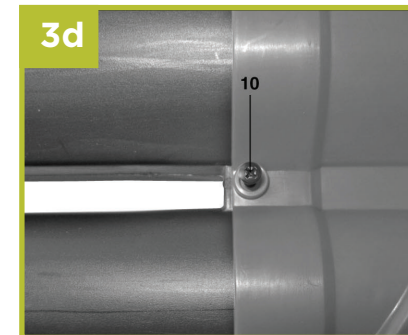
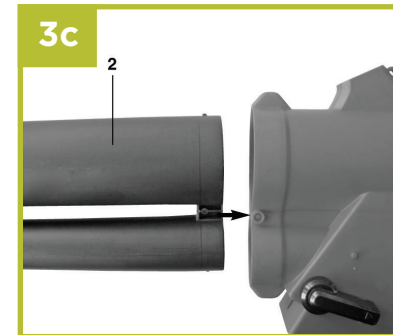
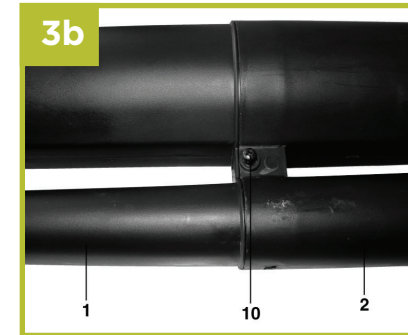
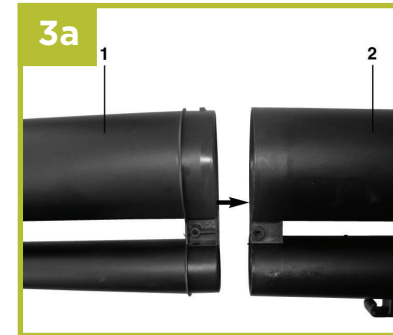
5.1 Fitting the suction tube (Fig. 3a-3d.)

First plug together the front suction tube (1) and the rear suction tube (2). (Fig. 3a). Screw the two pipes together with the special screw (Fig. 3b/Item 10). Then please insert the suction tube into the motor housing (Fig. 3c) and screw together with the special screw (Fig. 3d/Item 10).

Note: Do not disassemble the suction tube any more once it has been assembled.

5.2 Fitting the debris bag (Fig. 3e-3g)

First, hang the eyelet up on the appropriate hook on the suction tube (Fig. 3e). Then slip the debris bag (Fig. 3f/Item 7) over the port on the motor housing. Make sure that there is an audible click when they engage. Hang the second eyelet on the hook in the housing (Fig. 3g)



5.3 Assembly of carrying strap (Fig. 3h)

Fasten the carrying strap (Fig. 2/Item 4) as shown in Fig. 3h

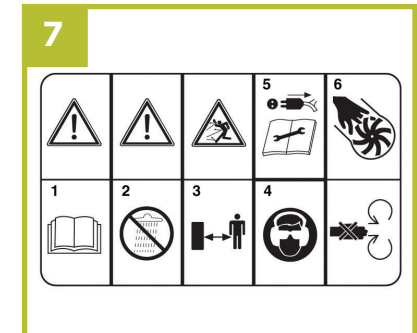
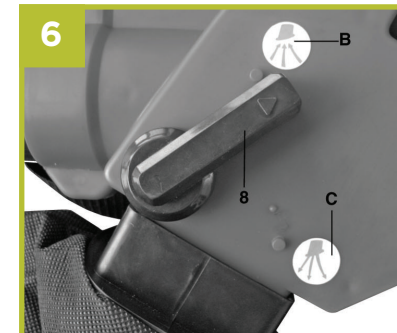
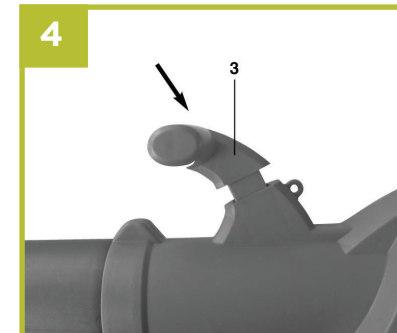
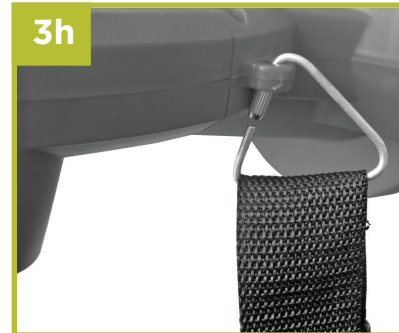
5.4 Assembly of wheels

Push the wheels (Fig. 3i/Item 9) over the front vacuum hose (Fig. 3i/Item 1) and fasten with the screw (Fig 3k/Item A).

5.5 Assembly of handle

Insert the handle (Fig. 4/Item 3) into the recess in the housing. Make sure that there is an audible click when they engage.

Start up the tool only after it is fully assembled. Always inspect the tool power cord for damage before starting up. The tool may only be used if the cord is in flawless condition.



6. Operation

6.1 Sizing the strap (Fig. 1)

Size the length of the carrying strap (4) so that the vacuum tube just clears the ground. The guide rollers (9) at the bottom end of the suction tube will help you to maneuver the suction tube on the ground.

6.2 Connecting the tool to the power supply and switching on (Fig. 5)

The tool can be plugged into any socket-outlet (with 230 V AC) that is equipped with a 10A fuse or higher. The socket-outlet has to be safeguarded by an earthleakage circuit breaker (ELGB). The operating current must not exceed 30 mA.

- Insert the tool plug into the power cord coupling (extension).
- To switch on, press and hold the ON/OFF switch (Fig. 5/Item 5).
- To switch off, let go of the ON/OFF switch (Fig. 5/item 5).

6.3 Selecting the mode of operation

6.3.1 Suction (Fig. 6)

- Turn the lever (Fig. 6/Item 8) to position B. You can do this both when the device is at a standstill and while it is running.

6.3.2 Blowing (Fig. 6)

- Turn the lever (Fig. 6/Item 8) to position C. You can do this both when the device is at a standstill and while it is running.
- Channel the air stream forward and walk slowly to blow foliage or garden refuse into a pile or to clear out hard-to-reach places.
- **Important!** Empty the debris bag before blowing.

Otherwise, the material that has been vacuumed up could drop out.

6.4 Emptying the debris bag and pre-screen (Fig. 1)

Empty the debris bag (7) in good time. When the bag is heavily loaded with material, vacuum power is considerably reduced. Deposit organic refuse at a compost site.

- Switch off the tool and pull out the plug.
- Open the zipper on the debris bag (7) and shake out the material.
- Close the zip on the debris bag (7) again.

6.5 Speed control (Fig. 1a, BG-EL 2501 E only)

The device is fitted with an electronic speed controller. To use it, turn the speed controller (Fig. 1a/Item 11) to the desired position. Use the device only with the speed which is actually required and do not let it run at a speed which is faster than necessary.

7. Replacing the power cable

If the power cable for this equipment is damaged, it must only be replaced by a qualified technician to avoid danger.

8. Cleaning, maintenance and ordering of spare parts

Always pull out the mains power plug before starting any cleaning work.

8.1 Cleaning

- Keep all safety devices, air vents and the motor housing free of dirt and dust as far as possible. Wipe the equipment with a clean cloth or blow it with compressed air at low pressure.
- We recommend that you clean the device immediately each time you have finished using it.
- Clean the equipment regularly with a moist cloth and some soft soap. Do not use cleaning agents or solvents; these could attack the plastic parts of the equipment. Ensure that no water can seep into the device.
- After shaking out the debris bag, turn it inside out and thoroughly clean it in order to prevent mould and

unpleasant odours from forming.

- You can use soap and water to clean out a heavily soiled debris bag.
- Rub a bar of dry soap across the zipper teeth if the zipper becomes difficult to pull.
- Clean the vacuum/blower tube with a brush upon evidence of dirt and grime.
- Dirt and grime can make the switch (blower/vacuum) more difficult to operate as a result of the material that swirls up off the ground. When this occurs, simply flip the switch back and forth a few times, which should bring it back to the normal feel.

8.2 Maintenance

- Should the tool experience problems beyond those mentioned above, let only an authorized professional or a customer service shop perform an inspection.
- There are no parts inside the equipment which require additional maintenance.

8.3 Ordering replacement parts:

Please quote the following data when ordering replacement parts:

- Type of machine
- Article number of the machine
- Identification number of the machine
- Replacement part number of the part required

For spares and accessories please go to www.einhell-uk.co.uk

Useful Information

9. Disposal and recycling



The unit is supplied in packaging to prevent its being damaged in transit. This packaging is raw material and can therefore be reused or can be returned to the raw material system.

The unit and its accessories are made of various types of material, such as metal and plastic. Defective components must be disposed of as special waste. Ask your dealer or your local council.

Do not dispose of Blower/Vac in domestic waste.

Technical data

AC motor	230V ~ 50 Hz
Output	2500 watts
No load speed n ₀	6000-14000 min ⁻¹
Protection class	II / □
Air velocity	270 km/h
Suction rate	840m ³ /h
Volume of debris bag	approx. 45 l
Sound volume level L _{WAd}	102 dB (A)
Sound pressure level L _{pAd}	87 dB (A)
Vibration a _{nv}	3.96 m/s ²
Weight	3.8 kg

10. Troubleshooting guide

Fault	Possible cause	Remedy
Motor does not start	No voltage present	Check the cord and fuses
	Power cord defective	Check power cord
	Motor terminals disconnected	Have the unit checked by a qualified technician

ISC GmbH · Eschenstraße 6 · D-94405 Landau/Isar



Declaration of conformity

- erklärt folgende Konformität gemäß EU-Richtlinie und Normen für Artikel
 explains the following conformity according to EU directives and norms for the following product
 déclare la conformité suivante selon la directive CE et les normes concernant l'article
 dichiara la seguente conformità secondo la direttiva UE e le norme per l'articolo
 verklaart de volgende overeenstemming conform EU richtlijn en normen voor het product
 declara la siguiente conformidad a tenor de la directiva y normas de la UE para el artículo
 declara a seguinte conformidade, de acordo com a directiva CE e normas para o artigo
 atterer følgende overensstemmelse i medfør af EU-direktiv samt standarder for artikel
 förklarar följande överensstämmelse enl. EU-direktiv och standarder för artikeln
 vakuuttaa, että tuote täyttää EU-direktiivin ja standardien vaatimukset
 tõendab toote vastavust EL direktiivile ja standarditele
 vydává následující prohlášení o shodě podle směrnice EU a norem pro výrobek
 potrjuje sledečo skladnost s smernico EU in standardi za izdelek
 vydáva nasledujúce prehlásenie o zhode podľa smernice EÚ a noriem pre výrobok
 a cikkehez az EU-irányvonal és Normák szerint a következő konformitást jelenti ki
 deklaruje zgodność wymienionego poniżej artykułu z następującymi normami na podstawie dyrektywy WE.
 декларира съответното съответствие съгласно Директива на ЕС и норми за артикул
 paskaidro šādu atbilstību ES direktīvai un standartiem
 apibūdina šį atitikimą EU reikalavimams ir prekės normoms
 declară următoarea conformitate conform directivei UE și normelor pentru articolul
 δηλώνει την ακόλουθη συμμόρφωση σύμφωνα με την Οδηγία ΕΚ και τα πρότυπα για το προϊόν
 potvrđuje sljedeću usklađenost prema smjernicama EU i normama za artikl
 potvrđuje sljedeću usklađenost prema smjernicama EU i normama za artikl
 potvrđuje sledeću usklađenost prema smernicama EZ i normama za artikal
 следующим удостоверяется, что следующие продукты соответствуют директивам и нормам ЕС
 проголошує про зазначену нижче відповідність виробу директивам та стандартам ЄС на виріб
 ja izjavuva slednata soobraznost согласно EY-direktivata и нормите за артикли
 Ürünü ile ilgili AB direktifleri ve normları gereğince aşağıda açıklanan uygunluğu belirtir
 erklærer følgende samsvar i henhold til EU-direktiv og standarder for artikkel
 Lýsir uppfyllingu EU-reglna og annarra staðla vöru

Leaf Vacuum GLBV 2501 (Gardenline)

- 2009/105/EC
 2006/95/EC
 2006/28/EC
 2005/32/EC
 2004/108/EC
 2004/22/EC
 1999/5/EC
 97/23/EC
 90/396/EC
 89/686/EC_96/58/EC
 2006/42/EC
 Annex IV
 Notified Body:
 Notified Body No.:
 Reg. No.:
 2000/14/EC_2005/88/EC
 Annex V
 Annex VI
 Noise: measured L_{WA} = 97,36 dB (A); guaranteed L_{WA} = 102 dB (A)
 P = kW; L/O = cm
 Notified Body:
 2004/26/EC
 Emission No.:

Standard references: EN 60335-1; IEC 60335-2-100; prEN 15503; EN 62233; EN 55014-1; EN 55014-2; EN 61000-3-2; EN 61000-3-3; EK9 2007-07:2006-11-16

Landau/Isar, den 16.03.2010

Weichselgartner/General Manager

Liu/Product-Management

First CE: 09
 Art.-No.: 34.332.11 I.-No.: 11010
 Subject to change without notice

Archive-File/Record: 3433210-48-4155050-09
 Documents registrar: Alexander Scheiff
 Wiesenweg 22, D-94405 Landau/Isar

