

Einhell®

TE-AG 115

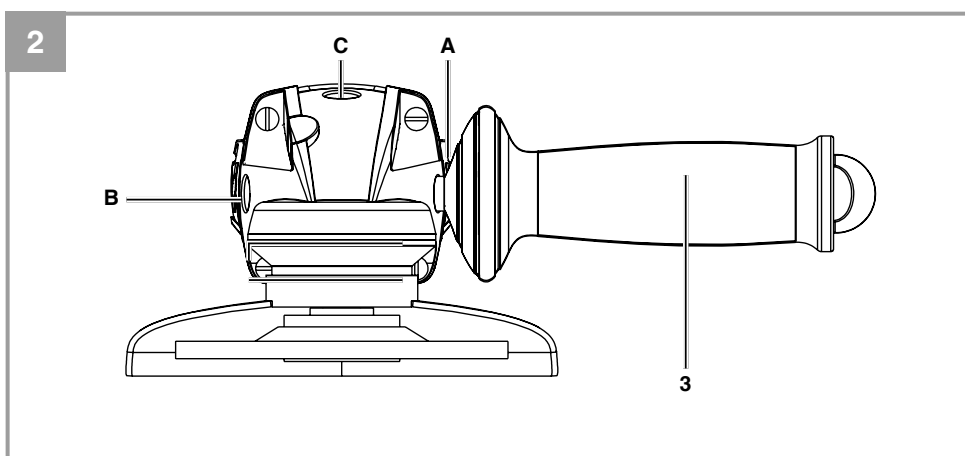
-
- GB** Original operating instructions
Angle grinder
 - E** Manual de instrucciones original
Amoladora angular
 - F** Mode d'emploi d'origine
Meuleuse d'angle

7



Art.-Nr.: 44.308.53

I.-Nr.: 11015



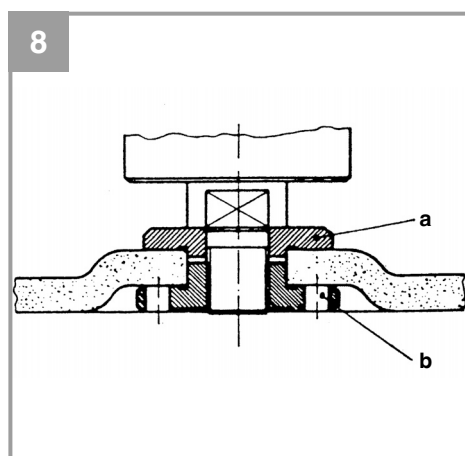
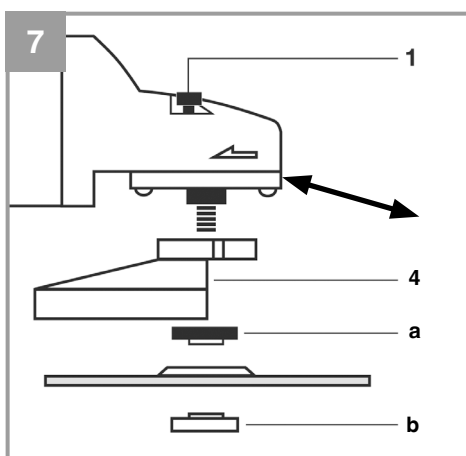




Table of contents

1. Safety information
2. Layout and items supplied (Figure 1)
3. Proper use
4. Technical data
5. Before starting the equipment
6. Operation
7. Replacing the power cable
8. Cleaning, maintenance and ordering of spare parts
9. Disposal and recycling
10. Storage



“Caution - Read the operating instructions to reduce the risk of injury”



Wear ear-muffs.

The impact of noise can cause damage to hearing.



Wear a breathing mask.

Dust which is injurious to health can be generated when working on wood and other materials. Never use the device to work on any materials containing asbestos!



Wear safety goggles.

Sparks generated during working or splinters, chips and dust emitted by the device can cause loss of sight.



This safety guard is designed for sanding/grinding.



This safety guard is designed for cutting and grinding/sanding.
(not included in items supplied)

⚠ Important!

When using equipment, a few safety precautions must be observed to avoid injuries and damage. Please read the complete operating manual with due care. Keep this manual in a safe place, so that the information is available at all times. If you give the equipment to any other person, give them these operating instructions as well. We accept no liability for damage or accidents which arise due to non-observance of these instructions and the safety information.

1. Safety information

Please refer to the booklet included in delivery for the safety instructions.

⚠ CAUTION!**Read all safety regulations and instructions.**

Any errors made in following the safety regulations and instructions may result in an electric shock, fire and/or serious injury.

Keep all safety regulations and instructions in a safe place for future use.

2. Layout and items supplied (Figure 1)**2.1 Layout**

1. Spindle lock
2. ON/OFF switch
3. Additional handle
4. Guard
5. Flange nut wrench

2.2 Items supplied

Please check that the article is complete as specified in the scope of delivery. If parts are missing, please contact our service center or the nearest branch of the DIY store where you made your purchase at the latest within 5 work days after purchasing the article and upon presentation of a valid bill of purchase. Also, refer to the warranty table in the warranty provisions at the end of the operating instructions.

- Open the packaging and take out the equipment with care.
- Remove the packaging material and any packaging and/or transportation braces (if available).
- Check to see if all items are supplied.

- Inspect the equipment and accessories for transport damage.
- If possible, please keep the packaging until the end of the guarantee period.

Important!

The equipment and packaging material are not toys. Do not let children play with plastic bags, foils or small parts. There is a danger of swallowing or suffocating!

- Original operating instructions
- Safety instructions

3. Proper use


The angle grinder is designed for grinding metal and stone when using the appropriate grinding wheel and guard.

Caution! To cut metal and stone the grinder/sander may only be used when the guard (available as an accessory) is mounted.

The machine is to be used only for its prescribed purpose. Any other use is deemed to be a case of misuse. The user / operator and not the manufacturer will be liable for any damage or injuries of any kind caused as a result of this.

Please note that our equipment has not been designed for use in commercial, trade or industrial applications. Our warranty will be voided if the machine is used in commercial, trade or industrial businesses or for equivalent purposes.

4. Technical data

Mains voltage: 230 V ~ 50 Hz
 Power input: 720 W
 Idling speed: 12.000 rpm
 Max. wheel diameter: 115 mm
 Mounting spindle thread: M14
 Protection class: II / 
 Weight: 2,2 kg

Sound and vibration

Sound and vibration values were measured in accordance with EN 60745.

LpA sound pressure level	89,1 dB(A)
KpA uncertainty	3 dB
LWA sound power level	100,1 dB(A)
KWA uncertainty	3 dB

Wear ear-muffs.

The impact of noise can cause damage to hearing.

Total vibration values (vector sum of three directions) determined in accordance with EN 60745.

Handle:

Vibration emission value $a_{hAG} = 6.322 \text{ m/s}^2$
K uncertainty = 1.5 m/s^2

Additional handle:

Vibration emission value $a_n = 8.375 \text{ m/s}^2$
K uncertainty = 1.5 m/s^2

Additional information for electric power tools

Warning!

The specified vibration value was established in accordance with a standardized testing method. It may change according to how the electric equipment is used and may exceed the specified value in exceptional circumstances.

The specified vibration value can be used to compare the equipment with other electric power tools.

The specified vibration value can be used for initial assessment of a harmful effect.

Keep the noise emissions and vibrations to a minimum.

- Only use appliances which are in perfect working order.
- Service and clean the appliance regularly.
- Adapt your working style to suit the appliance.
- Do not overload the appliance.
- Have the appliance serviced whenever necessary.
- Switch the appliance off when it is not in use.
- Wear protective gloves.

Residual risks

Even if you use this electric power tool in accordance with instructions, certain residual risks cannot be ruled out. The following hazards may arise in connection with the equipment's construction and layout:

1. Lung damage if no suitable protective dust mask is used.
2. Damage to hearing if no suitable ear protection is used.
3. Health damage caused by hand-arm vibrations if the equipment is used over a prolonged period or is not properly guided and maintained.

5. Before starting the equipment

Before you connect the equipment to the mains supply make sure that the data on the rating plate are identical to the mains data.

5.1 Fitting the additional handle (Fig. 2)

- The angle grinder must not be used without the additional handle (3).
- The additional handle can be secured in any of three positions (A, B, C).

Tool side	Suitable for
Left (position A / as shown)	Right-handed users
Right (position B)	Left-handed users
Top (position C)	Using cutting wheels

5.2 Setting the guard (Fig. 3)

- Switch off the tool. Pull the power plug.
- Adjust the guard (4) to protect your hands so that the material being ground is directed away from your body.
- The position of the guard (4) can be adjusted to any specific working conditions. Undo the clamp handle (a) and turn the cover (4) into the required position.
- Ensure that the guard (4) correctly covers the gear wheel casing.
- Secure the clamp handle (a) again.
- Ensure that the guard (4) is secure.

⚠ **Take care that the safety device is secure.**

⚠ **Never use the angle grinder without the guard.**

5.3 Test run for new grinding Wheels

Allow the right-angle grinder to run in idle for at least 1 minute with the grinding or cutting wheel fitted in place. Vibrating wheels are to be replaced immediately.

6. Operation

6.1 Switch (Fig. 4)

The angle grinder comes with a safety switch which is designed to prevent accidents. To switch on, push the On/Off switch (2) to the right and then forwards. To switch off the angle grinder, depress the ON/OFF switch (2) at the back. The ON/OFF switch (2) will jump back into its starting position.

⚠ **Wait until the machine has reached its top speed. You can then position the angle grinder on the workpiece and machine it.**

6.2 Changing the grinding wheels (Fig. 5 / 6)

Use the face spanner (5) supplied to change the grinding wheels. The face spanner (5) is stored in the additional handle (3). Pull the face spanner (5) out of the additional handle (3) when you need it.

Important! For safety reasons, the angle grinder must not be operated with the face spanner (5) inserted in it.

Pull out the power plug.

- Simple wheel change by spindle lock:
- Press the spindle lock and allow the grinding wheel to latch in place.
- Open the flange nut with the face spanner.
- (Fig. 6)
- Change the grinding or cutting wheel and tighten the flange nut with the face spanner.

⚠ **Important!**

Only ever press the spindle lock when the motor and grinding spindle are at a standstill! You must keep the spindle lock pressed while you change the wheel!

For grinding or cutting wheels up to approx. 3 mm thick, screw on the flange nut with the flat side facing the grinding or cutting wheel.

6.3 Flange arrangements when using grinding wheels and cutting wheels (Fig. 7-10)

- Flange arrangement when using a depressed-centre or straight grinding wheel (Fig. 8)
 - a) Clamping flange
 - b) Flange nut
- Flange arrangement when using a depressed-centre cutting wheel (Fig. 9)
 - a) Clamping flange
 - b) Flange nut
- Flange arrangement when using a straight cutting wheel (Fig. 10)
 - a) Clamping flange
 - b) Flange nut

6.4 Motor

It is vital for the motor to be well ventilated during operation. Be sure, therefore, to keep the ventilation holes clean at all times.

6.5 Grinding Wheels

- Never use a grinding or cutting wheel bigger than the specified diameter.
- Before using a grinding or cutting wheel, check its rated speed.
- The maximum speed of the grinding or cutting wheel used must be higher than the idle speed of the angle grinder.
- Use only grinding and cutting wheels that are approved for a minimum speed of 12,000 rpm and a peripheral speed of 80 m/sec.
- Check the direction of rotation when you use diamond cutting wheels. The directional arrow on the diamond cutting wheel must point in the direction in which the tool rotates.

Take special care that the grinding/sanding wheels are properly stored and transported. Ensure that the grinding/sanding wheels are never exposed to shock, jolts or sharp edges (for example during transport or storage in a toolbox). This could cause damage (such as cracks) to the

grinding/sanding wheels and place the user in serious danger.

6.6 Operating Modes

6.6.1 Rough grinding (Fig. 11)

⚠ Caution: Use the safety device for sanding/grinding (included in items supplied).

For the best rough grinding results, hold the grinding wheel at an angle of between 30° and 40° to the workpiece surface and guide back and forth over the workpiece in steady movements.

6.6.2 Cutting (Fig. 12)

⚠ Caution: Use the safety device for abrasive cutting (available as accessory, see 8.4)

When you use the right-angle grinder for cutting purposes, avoid tilting it in the cutting plane. The cutting wheel must have a clean cutting edge. A diamond cutting wheel is best used to cut hard stone.

⚠ It is prohibited to use the machine on asbestos materials!

⚠ Never use a cutting wheel for rough grinding.

7. Replacing the power cable

If the power cable for this equipment is damaged, it must be replaced by the manufacturer or its after-sales service or similarly trained personnel to avoid danger.

8. Cleaning, maintenance and ordering of spare parts

Always pull out the mains power plug before starting any cleaning work.

8.1 Cleaning

- Keep all safety devices, air vents and the motor housing free of dirt and dust as far as possible. Wipe the equipment with a clean cloth or blow it with compressed air at low pressure.
- We recommend that you clean the device immediately each time you have finished using it.

- Clean the equipment regularly with a moist cloth and some soft soap. Do not use cleaning agents or solvents; these could attack the plastic parts of the equipment. Ensure that no water can seep into the device. The ingress of water into an electric tool increases the risk of an electric shock.

8.2 Carbon brushes

In case of excessive sparking, have the carbon brushes checked only by a qualified electrician. Important! The carbon brushes should not be replaced by anyone but a qualified electrician.

8.3 Maintenance

There are no parts inside the equipment which require additional maintenance.

8.4 Ordering replacement parts:

Please quote the following data when ordering replacement parts:

- Type of machine
- Article number of the machine
- Identification number of the machine
- Replacement part number of the part required

For our latest prices and information please go to www.isc-gmbh.info

Safety guard for cutting (Art. No.: 44.500.32)

9. Disposal and recycling

The equipment is supplied in packaging to prevent it from being damaged in transit. The raw materials in this packaging can be reused or recycled. The equipment and its accessories are made of various types of material, such as metal and plastic. Never place defective equipment in your household refuse. The equipment should be taken to a suitable collection center for proper disposal. If you do not know the whereabouts of such a collection point, you should ask in your local council offices.

10. Storage

Store the equipment and accessories out of children's reach in a dark and dry place at above freezing temperature. The ideal storage temperature is between 5 and 30 °C. Store the electric tool in its original packaging.

GB

The reprinting or reproduction by any other means, in whole or in part, of documentation and papers accompanying products is permitted only with the express consent of the iSC GmbH.

Subject to technical changes

Service information

We have competent service partners in all countries named on the guarantee certificate whose contact details can also be found on the guarantee certificate. These partners will help you with all service requests such as repairs, spare and wearing part orders or the purchase of consumables.

Please note that the following parts of this product are subject to normal or natural wear and that the following parts are therefore also required for use as consumables.

Category	Example
Wear parts*	Carbon brushes
Consumables*	Cutting wheels, grinding wheels
Missing parts	

* Not necessarily included in the scope of delivery!

In the event of defects or faults, please register the problem on the internet at www.isc-gmbh.info. Please ensure that you provide a precise description of the problem and answer the following questions in all cases:

- Did the equipment work at all or was it defective from the beginning?
- Did you notice anything (symptom or defect) prior to the failure?
- What malfunction does the equipment have in your opinion (main symptom)?
Describe this malfunction.

Warranty certificate

Dear Customer,

All of our products undergo strict quality checks to ensure that they reach you in perfect condition. In the unlikely event that your device develops a fault, please contact our service department at the address shown on this guarantee card. You can also contact us by telephone using the service number shown. Please note the following terms under which guarantee claims can be made:

1. These guarantee terms apply to consumers only, i.e. natural persons intending to use this product neither for their commercial activities nor for any other self-employed activities. These warranty terms regulate additional warranty services, which the manufacturer mentioned below promises to buyers of its new products in addition to their statutory rights of guarantee. Your statutory guarantee claims are not affected by this guarantee. Our guarantee is free of charge to you.
2. The warranty services cover only defects due to material or manufacturing faults on a product which you have bought from the manufacturer mentioned below and are limited to either the rectification of said defects on the product or the replacement of the product, whichever we prefer.
Please note that our devices are not designed for use in commercial, trade or professional applications. A guarantee contract will not be created if the device has been used by commercial, trade or industrial business or has been exposed to similar stresses during the guarantee period.
3. The following are not covered by our guarantee:
 - Damage to the device caused by a failure to follow the assembly instructions or due to incorrect installation, a failure to follow the operating instructions (for example connecting it to an incorrect mains voltage or current type) or a failure to follow the maintenance and safety instructions or by exposing the device to abnormal environmental conditions or by lack of care and maintenance.
 - Damage to the device caused by abuse or incorrect use (for example overloading the device or the use of unapproved tools or accessories), ingress of foreign bodies into the device (such as sand, stones or dust, transport damage), the use of force or damage caused by external forces (for example by dropping it).
 - Damage to the device or parts of the device caused by normal or natural wear or tear or by normal use of the device.
4. The guarantee is valid for a period of 24 months starting from the purchase date of the device. Guarantee claims should be submitted before the end of the guarantee period within two weeks of the defect being noticed. No guarantee claims will be accepted after the end of the guarantee period. The original guarantee period remains applicable to the device even if repairs are carried out or parts are replaced. In such cases, the work performed or parts fitted will not result in an extension of the guarantee period, and no new guarantee will become active for the work performed or parts fitted. This also applies if an on-site service is used.
5. To make a claim under the guarantee, please register the defective device at: www.isc-gmbh.info. Please keep your bill of purchase or other proof of purchase for the new device. Devices that are returned without proof of purchase or without a rating plate shall not be covered by the guarantee, because appropriate identification will not be possible. If the defect is covered by our guarantee, then the item in question will either be repaired immediately and returned to you or we will send you a new replacement.

Of course, we are also happy offer a chargeable repair service for any defects which are not covered by the scope of this guarantee or for units which are no longer covered. To take advantage of this service, please send the device to our service address.

Also refer to the restrictions of this warranty concerning wear parts, consumables and missing parts as set out in the service information in these operating instructions.

Índice de contenidos

1. Instrucciones de seguridad
2. Descripción del aparato y volumen de entrega
3. Uso adecuado
4. Características técnicas
5. Antes de la puesta en marcha
6. Manejo
7. Cambio del cable de conexión a la red eléctrica
8. Mantenimiento, limpieza y pedido de piezas de repuesto
9. Eliminación y reciclaje
10. Almacenamiento



“Aviso - Leer el manual de instrucciones para reducir cualquier riesgo de sufrir daños”



Usar protección para los oídos.

La exposición al ruido puede ser perjudicial para el oído.



Es preciso ponerse una mascarilla de protección.

Puede generarse polvo dañino para la salud cuando se realicen trabajos en madera o en otros materiales. ¡Está prohibido trabajar con material que contenga asbesto!



Llevar gafas de protección.

Durante el trabajo, la expulsión de chispas, astillas, virutas y polvo por el aparato pueden provocar pérdida de vista.



Esta cubierta de protección es adecuada para lijar.



Esta cubierta de protección es adecuada para tronzar y para lijar. (no se incluye en el volumen de entrega)

⚠ ¡Atención!

Al usar aparatos es preciso tener en cuenta una serie de medidas de seguridad para evitar lesiones o daños. Por este motivo, es preciso leer atentamente este manual de instrucciones/advertencias de seguridad. Guardar esta información cuidadosamente para poder consultarla en cualquier momento. En caso de entregar el aparato a terceras personas, será preciso entregarles, asimismo, el manual de instrucciones/advertencias de seguridad. No nos hacemos responsables de accidentes o daños provocados por no tener en cuenta este manual y las instrucciones de seguridad.

1. Instrucciones de seguridad

Encontrará las instrucciones de seguridad correspondientes en el prospecto adjunto.

⚠ ¡Aviso!

Lea todas las instrucciones de seguridad e indicaciones. El incumplimiento de dichas instrucciones e indicaciones puede provocar descargas, incendios y/o daños graves. **Guarde todas las instrucciones de seguridad e indicaciones para posibles consultas posteriores.**

2. Descripción del aparato y volumen de entrega**2.1 Descripción del aparato (fig. 1)**

1. Bloqueo del husillo
2. Interruptor ON/OFF
3. Empuñadura adicional
4. Dispositivo de seguridad
5. Aprietatuercas de brida

2.2 Volumen de entrega

Sirviéndose de la descripción del volumen de entrega, comprobar que el artículo esté completo. Si faltase alguna pieza, dirigirse a nuestro Service Center o a la tienda especializada más cercana en un plazo máximo de 5 días laborales tras la compra del artículo presentando un recibo de compra válido. A este respecto, observar la tabla de garantía de las condiciones de garantía que se encuentran al final del manual.

-

- Abrir el embalaje y extraer cuidadosamente el aparato.
- Retirar el material de embalaje, así como los dispositivos de seguridad del embalaje y para el transporte (si existen).
- Comprobar que el volumen de entrega esté completo.
- Comprobar que el aparato y los accesorios no presenten daños ocasionados durante el transporte.
- Si es posible, almacenar el embalaje hasta que transcurra el periodo de garantía.

Atención!

¡El aparato y el material de embalaje no son un juguete! ¡No permitir que los niños jueguen con bolsas de plástico, láminas y piezas pequeñas! ¡Riesgo de ingestión y asfixia!

- Manual de instrucciones original
- Instrucciones de seguridad

3. Uso adecuado


La lijadora angular ha sido concebida para lijar metales y roca utilizando la muela de afilar correspondiente, así como los dispositivos de seguridad necesarios.

¡Atención! La lijadora angular solo puede ser utilizada para tronzar metal y roca si el dispositivo de seguridad, disponible como accesorio, está montado.

Utilizar la máquina sólo en los casos que se indican explícitamente como de uso adecuado. Cualquier otro uso no será adecuado. En caso de uso inadecuado, el fabricante no se hace responsable de daños o lesiones de cualquier tipo; el responsable es el usuario u operario de la máquina.

Tener en consideración que nuestro aparato no está indicado para un uso comercial, industrial o en taller. No asumiremos ningún tipo de garantía cuando se utilice el aparato en zonas industriales, comerciales o talleres, así como actividades similares.

4. Características técnicas

Tensión de red: 230 V ~ 50 Hz
 Consumo de energía: 720 W
 Velocidad marcha en vacío: 12.000 r.p.m.
 ø máx. arandela: 115 mm
 Rosca del husillo de alojamiento: M14
 Clase de protección: II / 
 Peso: 2,2 kg

Ruido y vibración

Los valores con respecto al ruido y la vibración se determinaron conforme a la norma EN 60745.

Nivel de presión acústica L_{pA} 89,1 dB(A)
 Imprecisión K_{pA} 3 dB
 Nivel de potencia acústica L_{WA} 100,1 dB(A)
 Imprecisión K_{WA} 3 dB

Usar protección para los oídos.

La exposición al ruido puede ser perjudicial para el oído.

Los valores totales de vibración (suma de vectores en las tres direcciones) se determinaron conforme a la norma EN 60745.

Empuñadura:

Valor de emisión de vibraciones
 $a_{hAG} = 6,322 \text{ m/s}^2$
 Imprecisión $K = 1,5 \text{ m/s}^2$

Empuñadura adicional:

Valor de emisión de vibraciones $a_h = 8,375 \text{ m/s}^2$
 Imprecisión $K = 1,5 \text{ m/s}^2$

Información adicional sobre herramientas eléctricas

¡Aviso!

El valor de emisión de vibraciones indicado se ha calculado conforme a un método de ensayo normalizado, pudiendo, en algunos casos excepcionales, variar o superar el valor indicado dependiendo de las circunstancias en las que se utilice la herramienta eléctrica.

El valor de emisión de vibraciones indicado puede utilizarse para comparar la herramienta con otras.

El valor de emisión de vibraciones indicado también puede utilizarse para una valoración preliminar de los riesgos.

¡Reducir la emisión de ruido y las vibraciones al mínimo!

- Emplear sólo aparatos en perfecto estado.
- Realizar el mantenimiento del aparato y limpiarlo con regularidad.
- Adaptar el modo de trabajo al aparato.
- No sobrecargar el aparato.
- En caso necesario dejar que se compruebe el aparato.
- Apagar el aparato cuando no se esté utilizando.
- Llevar guantes.

Riesgos residuales

Incluso si esta herramienta se utiliza adecuadamente, siempre existen riesgos residuales. En función de la estructura y del diseño de esta herramienta eléctrica pueden producirse los siguientes riesgos:

1. Lesiones pulmonares en caso de que no se utilice una mascarilla de protección antipolvo.
2. Lesiones auditivas en caso de que no se utilice una protección para los oídos adecuada.
3. Daños a la salud derivados de las vibraciones de las manos y los brazos si el aparato se utiliza durante un largo periodo tiempo, no se sujeta del modo correcto o si no se realiza un mantenimiento adecuado.

5. Antes de la puesta en marcha

Antes de conectar la máquina, asegurarse de que los datos de la placa de identificación coincidan con los datos de la red eléctrica.

Desenchufar el aparato antes de realizar ajustes.

5.1 Montar la empuñadura adicional (fig. 2)

- No utilizar la amoladora angular sin la empuñadura adicional (3).
- La empuñadura adicional puede ser enroscada en las tres posiciones (A, B, C).

Lado del aparato	Indicado para
Izquierdo (pos. A / según se ilustra)	Diestros
Derecho (pos. B)	Zurdos
Arriba (pos. C)	Uso de muelas de tronzar

5.2 Ajustar el dispositivo de seguridad (fig. 3)

- Apagar el aparato. ¡Retirar el enchufe de la toma de corriente!
- Ajustar el dispositivo de seguridad (4) para protegerse las manos de modo que el material de amolar sea alejado del cuerpo.
- La posición del dispositivo de seguridad (4) se puede ajustar a las condiciones de trabajo respectivas; girar la cubierta (4) a la posición deseada. El talón de retención (a) del dispositivo de seguridad (4) debe encajar en la posición correspondiente (b).
- Prestar atención a que el dispositivo de seguridad (4) cubra correctamente la carcasa de rueda dentada.
- Cerciorarse de que el dispositivo de seguridad (4) quede firmemente enclavado en la posición correspondiente (b).

⚠ **Asegurarse de que el dispositivo de seguridad esté bien sujeto.**

⚠ **No utilizar la amoladora angular sin el dispositivo de seguridad.**

5.3 FUNCIONAMIENTO DE PRUEBA DE LOS NUEVOS DISCOS DE LIJADO.

Ponga la lijadora en marcha al menos durante un minuto con el nuevo disco de lijado o de corte. Discos que se pongan a vibrar deberán ser sustituidos inmediatamente.

6. Manejo

6.1 Interruptor (fig. 4)

La amoladora angular está equipada con un interruptor de seguridad para prevenir accidentes. Para encender el aparato, presionar el interruptor ON/OFF (2) hacia la derecha y a continuación deslizarlo hacia delante. Para desconectar la amoladora angular pulsar la parte posterior del interruptor ON/OFF (2). El interruptor ON/OFF (2) vuelve a su posición inicial.

⚠ **Esperar a que la máquina haya alcanzado su número de revoluciones máximo. A continuación se puede aplicar la amoladora angular a la pieza a trabajar y procesarla.**

6.2 Cambiar las muelas de lijar (fig. 5 / 6)

Para cambiar las muelas de lijar se necesita la llave de espigas suministrada (5). La llave de espigas (5) se guarda en la empuñadura adicional (3). Cuando sea necesario, sacar la llave de espigas (5) de la empuñadura adicional (3).

⚠ **¡Atención!** Por motivos de seguridad, no utilizar la amoladora angular cuando la llave de espigas (5) esté introducida.

Primeramente desenchufar el aparato.

- Cambio simple del disco por el bloqueo del husillo
- A continuación presione el bloqueo del husillo para enclavar el disco.
- Abra la tuerca bridada con la llave de espigas frontales. (fig. 6)
- Cambie el disco de muela o de corte y apriete de nuevo la tuerca bridada con la llave.

⚠ **¡Atención: Presione únicamente el bloqueo del husillo si el motor y el husillo se hallan parados! ¡El bloqueo del husillo debe permanecer presionado durante el cambio del disco!**

En caso de discos de lijado o de corte de hasta 3 mm es preciso desatornillar la tuerca bridada con el lado plano hacia el disco.

6.3 Disposición de las bridas en el uso de discos de lijado o de corte (Fig. 7-10)

- Disposición de las bridas si se emplea un disco de lijado acodado o recto (Fig. 8)
 - a) Brida de tensado
 - b) Tuerca bridada
- Disposición de las bridas si se emplea un disco de corte acodado (Fig. 9)
 - a) Brida de tensado
 - b) Tuerca bridada
- Disposición de las bridas si se emplea un disco de corte recto (Fig. 10)
 - a) Brida de tensado
 - b) Tuerca bridada

6.4 MOTOR

El motor deberá estar bien ventilado durante su funcionamiento, las ranuras de ventilación deberán mantenerse por tanto siempre limpias.

6.5 DISCOS DE LIJADO

- Los discos de lijado o de corte no deberán superar el diámetro previsto.
- Antes de usar los discos compruebe el número de revoluciones que se indica en ellos.
- La velocidad máxima de la muela de lijar o tronzar debe ser superior a la velocidad en vacío de la amoladora angular.
- Emplee siempre discos de lijado o de corte que hayan sido homologados para una velocidad máxima de 11.000 min⁻¹ y para una velocidad periférica de 80 m/seg.
- Si se utilizan muelas de tronzar diamantadas, tener en cuenta el sentido de giro. La flecha de sentido de giro que aparece en la muela de tronzar diamantada debe coincidir con la flecha del sentido de giro que aparece en el aparato.

Asegurarse de que el almacenamiento y transporte sean adecuados, especialmente en el caso del dispositivo de lijado. No someter nunca el dispositivo de lijado a golpes, choques o bordes afilados (p. ej. durante el transporte o almacenamiento en una caja de herramientas). De lo contrario se podría dañar el dispositivo de lijado (p. ej., agrietar), lo que supondría un peligro para el usuario.

6.6 INSTRUCCIONES DE USO

6.6.1 Lijado grueso o de desbaste (fig. 11)

¡Atención! Utilizar el dispositivo de seguridad para lijar (incluido en el volumen de entrega). Los mejores resultados en la lijadura de desbaste se obtienen manteniendo el disco a un ángulo de 30° a 40° respecto a la superficie de lijado y desplazando la lijadora con movimientos regulares sobre la pieza a trabajar.

6.6.2 Corte (fig. 12)

⚠ ¡Atención! ¡Utilizar el dispositivo de seguridad para tronzar! (disponible como accesorio, ver 8.4). No incline la lijadora respecto al plano de corte. El disco deberá presentar un reborde de corte limpio.

Para cortar piedra dura se empleará preferentemente un disco de corte adiamantado.

⚠ ¡No trabaje con materiales que contengan amianto

⚠ No use nunca discos de corte para desbastar.

7. Cambio del cable de conexión a la red eléctrica

Cuando el cable de conexión a la red de este aparato esté dañado, deberá ser sustituido por el fabricante o su servicio de asistencia técnica o por una persona cualificada para ello, evitando así cualquier peligro.

8. Mantenimiento, limpieza y pedido de piezas de repuesto

Desenchufar siempre antes de realizar algún trabajo de limpieza.

8.1 Limpieza

- Reducir al máximo posible la suciedad y el polvo en los dispositivos de seguridad, las rendijas de ventilación y la carcasa del motor. Frotar el aparato con un paño limpio o soplarlo con aire comprimido manteniendo la presión baja.
- Se recomienda limpiar el aparato tras cada uso.
- Limpiar el aparato con regularidad con un paño húmedo y un poco de jabón blando. No utilizar productos de limpieza o disolventes ya que se podrían deteriorar las piezas de plástico del aparato. Es preciso tener en cuenta que no entre agua en el interior del aparato. Si entra agua en el aparato eléctrico existirá mayor riesgo de una descarga eléctrica.

8.2 Escobillas de carbón

En caso de formación excesiva de chispas, ponerse en contacto con un electricista especializado para que compruebe las escobillas de carbón. ¡Atención! Las escobillas de carbón sólo deben ser cambiadas por un electricista.

8.3 Mantenimiento

No hay que realizar el mantenimiento a más piezas en el interior del aparato.

8.4 Pedido de piezas de recambio:

Al solicitar recambios se indicarán los datos siguientes:

- Tipo de aparato
- No. de artículo del aparato
- No. de identidad del aparato
- No. del recambio de la pieza necesitada.

Encontrará los precios y la información actual en www.isc-gmbh.info

Cubierta de protección para el tronzado
(núm. de artículo: 44.500.32)

9. Eliminación y reciclaje

El aparato está protegido por un embalaje para evitar daños producidos por el transporte. Este embalaje es materia prima y, por eso, se puede volver a utilizar o llevar a un punto de reciclaje. El aparato y sus accesorios están compuestos de diversos materiales, como, p. ej., metal y plástico. Los aparatos defectuosos no deben tirarse a la basura doméstica. Para su eliminación adecuada, el aparato debe entregarse a una entidad recolectora prevista para ello. En caso de no conocer ninguna, será preciso informarse en el organismo responsable del municipio.

10. Almacenamiento

Guardar el aparato y sus accesorios en un lugar oscuro, seco, protegido de las heladas e inaccesible para los niños. La temperatura de almacenamiento óptima se encuentra entre los 5 y 30 °C. Guardar la herramienta eléctrica en su embalaje original.

E

Sólo está permitido copiar la documentación y documentos anexos del producto, o extractos de los mismos, con autorización expresa de iSC GmbH.

Nos reservamos el derecho a realizar modificaciones técnicas

Certificado de garantía

Estimado cliente:

Nuestros productos están sometidos a un estricto control de calidad. No obstante, lamentaríamos que este aparato dejara de funcionar correctamente, en tal caso, le rogamos que se dirija a nuestro servicio de atención al cliente en la dirección indicada en la parte inferior de la presente tarjeta de garantía. Con mucho gusto le atenderemos también telefónicamente en el número de servicio indicado a continuación. Para hacer válido el derecho de garantía, proceda de la siguiente forma:

1. Estas condiciones de garantía van dirigidas exclusivamente a los consumidores, es decir, personas naturales que no desean emplear este producto en el marco de su actividad comercial ni autónoma. Estas condiciones de garantía regulan prestaciones adicionales de garantía que el fabricante abajo mencionado se compromete a otorgar, de manera adicional a la garantía legal, a los compradores de sus nuevos aparatos. Las prestaciones de garantía que le corresponden conforme a ley no se ven afectadas por la presente. Nuestra prestación de garantía es gratuita para usted.
2. La garantía se extiende exclusivamente a defectos en un aparato nuevo adquirido por usted del fabricante abajo mencionado, ocasionados por fallos de material o de producción, y está limitada, según nuestra elección, a la reparación de los defectos o al cambio del aparato.
Es preciso tener en consideración que nuestro aparato no está indicado para un uso comercial, industrial o en taller. Por lo tanto, no procederá un contrato de garantía cuando se utilice el aparato dentro del periodo de garantía en zonas industriales, comerciales o talleres, así como actividades similares.
3. Nuestra garantía no cubre:
 - Daños en el aparato ocasionados por la no observancia de las instrucciones de montaje o por una instalación no profesional, no observancia de las instrucciones de uso (como, p. ej., conexión a una tensión de red o corriente no indicada) o la no observancia de las disposiciones de mantenimiento y seguridad o por la exposición del aparato a condiciones anormales del entorno o por la falta de cuidado o mantenimiento.
 - Daños en el aparato ocasionados por aplicaciones impropias o indebidas (como, p. ej., sobrecarga del aparato o uso de herramientas o accesorios no homologados), introducción de cuerpos extraños en el aparato (como, p. ej., arena, piedras o polvo, daños producidos por el transporte), uso violento o influencias externa (como, p. ej., daños por caídas).
 - Daños en el aparato o en piezas del aparato provocados por el desgaste natural, habitual o producido por el uso.
4. El periodo de garantía es de 24 meses y comienza en la fecha de la compra del aparato. El derecho de garantía debe hacerse válido, antes de finalizado el plazo de garantía, dentro de un periodo de dos semanas una vez detectado el defecto. El derecho de garantía vence una vez transcurrido el plazo de garantía. La reparación o cambio del aparato no conllevará ni una prolongación del plazo de garantía ni un nuevo plazo de garantía ni para el aparato ni para las piezas de repuesto montadas. Esto también se aplica en el caso de un servicio in situ.
5. Para hacer efectivo su derecho a garantía, registre su aparato defectuoso en: www.isc-gmbh.info. Tenga a mano el recibo de compra o cualquier otro comprobante que acredite la compra del aparato nuevo. La garantía no cubre aquellos aparatos que se envíen sin el comprobante pertinente o sin la placa de identificación puesto que resulta difícil clasificarlos del modo correspondiente. Si nuestra prestación de garantía incluye el defecto aparecido en el aparato, recibirá de inmediato un aparato reparado o nuevo de vuelta.

Naturalmente, también solucionaremos los defectos del aparato que no se encuentren comprendidos o ya no se encuentren comprendidos en la garantía, en este caso contra reembolso de los costes. Para ello, envíe el aparato a nuestra dirección de servicio técnico.

Para piezas de desgaste, de repuesto y falta de piezas nos remitimos a las limitaciones de esta garantía conforme a la información de servicio de este manual de instrucciones.

Información de servicio

En todos los países mencionados en el certificado de garantía disponemos de distribuidores competentes cuyos datos de contacto podrán consultar en dicho certificado. Dichos distribuidores están a su disposición para cualquier asunto relacionado con el servicio como reparación, suministro de piezas de repuesto y desgaste, o con respecto a los materiales de consumo.

Es preciso tener en cuenta, que las siguientes piezas de este producto se someten a desgaste natural o provocado por el uso o que se necesitan las siguientes piezas como materiales de consumo.

Categoría	Ejemplo
Piezas de desgaste*	Escobillas de carbón
Material de consumo/Piezas de consumo*	Muelas de tronzar y de lija
Falta de piezas	

*¡no tiene por qué estar incluido en el volumen de entrega!

En caso de deficiencia o fallo, rogamos que lo registre en la página web www.isc-gmbh.info. Describa exactamente el fallo y responda siempre a las siguientes preguntas:

- ¿Ha funcionado el aparato en algún momento o estaba defectuoso desde el principio?
- ¿Le ha llamado algo la atención antes de surgir el fallo (indicio antes del fallo)?
- ¿Qué fallo de funcionamiento le parece que presenta el aparato (indicio principal)?
Describa ese fallo en el funcionamiento.

Sommaire

1. Consignes de sécurité
2. Description de l'appareil et volume de livraison (fig. 1)
3. Utilisation conforme à l'affectation
4. Données techniques
5. Avant la mise en service
6. Commande
7. Remplacement de la ligne de raccordement réseau
8. Nettoyage, maintenance et commande de pièces de rechange
9. Mise au rebut et recyclage
10. Stockage



« Avertissement – Lisez ce mode d'emploi pour diminuer le risque de blessures »



Portez une protection de l'ouïe.

L'exposition au bruit peut entraîner une perte de l'ouïe.



Portez un masque anti-poussière.

Lors de travaux sur du bois et autres matériaux, de la poussière nuisible à la santé peut être dégagée. Ne travaillez pas sur du matériau contenant de l'amiante !



Portez des lunettes de protection.

Les étincelles générées pendant travail ou les éclats, copeaux et la poussière sortant de l'appareil peuvent entraîner une perte de la vue.



Ce recouvrement de protection convient à l'affûtage.



Ce recouvrement de protection convient aux travaux de tronçonnage et de meulage. (non compris dans la livraison)

⚠ Attention !

Lors de l'utilisation d'appareils, il faut respecter certaines mesures de sécurité afin d'éviter des blessures et dommages. Veuillez donc lire attentivement ce mode d'emploi. Conservez-le bien de façon à pouvoir disposer à tout moment de ces informations. Si l'appareil doit être remis à d'autres personnes, remettez-leur aussi ce mode d'emploi.

Nous déclinons toute responsabilité pour les accidents et dommages dus au non-respect de ce mode d'emploi et des consignes de sécurité.

1. Consignes de sécurité

Vous trouverez les consignes de sécurité correspondantes dans le petit manuel ci-joint.

⚠ AVERTISSEMENT !

Veillez lire toutes les consignes de sécurité et instructions.

Tout non-respect des consignes de sécurité et instructions peut provoquer une décharge électrique, un incendie et/ou des blessures graves.

Conservez toutes les consignes de sécurité et instructions pour une consultation ultérieure.

2. Description de l'appareil et volume de livraison (fig. 1)**2.1 Description de l'appareil**

1. Blocage de broche
2. Interrupteurs marche/arrêt
3. Poignée supplémentaire
4. Dispositif de protection
5. Clé pour écrou de bride

2.2 Volume de livraison

Veillez contrôler si l'article est complet à l'aide de la description du volume de livraison. S'il manque des pièces, il faut vous adresser dans un délai de 5 jours ouvrables maximum après votre achat à notre service après-vente ou au magasin de bricolage compétent le plus proche muni d'une preuve d'achat valable. Veuillez consulter pour cela le tableau des garanties dans les conditions de garantie à la fin du mode d'emploi.

- Ouvrez l'emballage et prenez l'appareil en le sortant avec précaution de l'emballage.
-

- Retirez le matériel d'emballage tout comme les sécurités d'emballage et de transport (s'il y en a).
- Vérifiez si la livraison est bien complète.
- Contrôlez si l'appareil et ses accessoires ne sont pas endommagés par le transport.
- Conservez l'emballage autant que possible jusqu'à la fin de la période de garantie.

Attention !

L'appareil et le matériel d'emballage ne sont pas des jouets ! Il est interdit de laisser des enfants jouer avec des sacs et des films en plastique et avec des pièces de petite taille. Ils risquent de les avaler et de s'étouffer !

- Mode d'emploi d'origine
- Consignes de sécurité

3. Utilisation conforme à l'affectation


La meuleuse d'angle sert à meuler le métal et la pierre en utilisant la meule correspondante et le dispositif de protection correspondant.

Attention! Pour séparer le métal et la pierre, la meuleuse d'angle doit uniquement être employée lorsque le dispositif de protection (disponible avec les accessoires) est monté.

La machine doit exclusivement être employée conformément à son affectation. Chaque utilisation allant au-delà de cette affectation est considérée comme non conforme. Pour les dommages en résultant ou les blessures de tout genre, le producteur décline toute responsabilité et l'opérateur/l'exploitant est responsable.

Veillez au fait que nos appareils, conformément à leur affectation, n'ont pas été construits, pour être utilisés dans un environnement professionnel, industriel ou artisanal. Nous déclinons toute responsabilité si l'appareil est utilisé professionnellement, artisanalement ou dans des sociétés industrielles, tout comme pour toute activité équivalente.

4. Données techniques

Tension réseau : 230 V ~ 50 Hz
 Puissance absorbée : 720 W
 Vitesse de rotation de marche à vide : . 12 000 tr/mn
 ø de meule maxi : 115 mm
 Filetage de la broche de réception : M14
 Catégorie de protection : II / 
 Poids : 2,2 kg

Bruit et vibration

Les valeurs de bruit et de vibration ont été déterminées conformément à la norme EN 60745.

Niveau de pression acoustique L_{pA} 89,1 dB(A)
 Imprécision K_{pA} 3 dB
 Niveau de puissance acoustique L_{WA} 100,1 dB(A)
 Imprécision K_{WA} 3 dB

Poignée:

Valeur d'émission de vibration a_{hAG} 6,322 m/s²
 Imprécision $K = 1,5$ m/s²

Poignée supplémentaire:

Valeur d'émission de vibration $a_h = 8,375$ m/s²
 Imprécision $K = 1,5$ m/s²

Informations supplémentaires sur les outils électriques

Avertissement !

La valeur d'émission de vibration a été mesurée selon une méthode d'essai normée et peut être modifiée, en fonction du type d'emploi de l'outil électrique ; elle peut dans certains cas exceptionnels être supérieure à la valeur indiquée.

La valeur d'émission de vibration indiquée peut être utilisée pour comparer un outil électrique à un autre.

La valeur d'émission de vibration indiquée peut également être utilisée pour estimer l'altération au début.

Limitez le niveau sonore et les vibrations à un minimum !

- Utilisez exclusivement des appareils en excellent état.
- Entretenez et nettoyez l'appareil régulièrement.
- Adaptez votre façon de travailler à l'appareil.
- Ne surchargez pas l'appareil.
- Faites contrôler l'appareil le cas échéant.
- Mettez l'appareil hors circuit lorsque vous ne l'utilisez pas.
- Portez des gants.

Risques résiduels

Même en utilisant cet outil électrique conformément aux prescriptions, il reste toujours des risques résiduels. Les dangers suivants peuvent apparaître en rapport avec la construction et le modèle de cet outil électrique :

1. Lésions des poumons si aucun masque anti-poussière adéquat n'est porté.
2. Déficience auditive si aucun casque anti-bruit approprié n'est porté.
3. Atteintes à la santé issues des vibrations main-bras, si l'appareil est utilisé pendant une longue période ou s'il n'a pas été employé ou entretenu dans les règles de l'art.

5. Avant la mise en service

Assurez-vous, avant de connecter la machine, que les données se trouvant sur la plaque de signalisation correspondent bien aux données du réseau.

Enlevez systématiquement la fiche de contact avant de paramétrer l'appareil.

5.1 Montage de la poignée supplémentaire (figure 2)

- La meuleuse d'angle ne doit pas être utilisée sans poignée supplémentaire (3).
- La poignée supplémentaire peut être vissée au niveau des trois positions (A, B, C).

Côté de l'appareil	Convient à
Gauche (rep. A / comme représenté)	Droitier
Droite (rep. B)	Gaucher
En haut (rep. C)	Utilisation de disque de meuleuse

5.2 Réglage du dispositif de protection (figure 3)

- Mettre l'appareil hors circuit. Tirez la fiche de contact !
- Réglez le dispositif de protection (4) servant à protéger vos mains de sorte à éloigner le produit de meulage du corps.
- La position du dispositif de protection (4) peut être ajustée aux conditions de travail respectives: Desserrez le levier de blocage (a), orientez le recouvrement (4) dans la position voulue.
- Veillez à ce que le dispositif de protection (4) couvre correctement la boîte d'engrenage.
- Fixez à nouveau le levier de blocage (a).
- Assurez-vous que le dispositif de protection (4) tiennent bien correctement.

⚠ Veillez au bon maintien du dispositif de protection.

⚠ N'utilisez pas la meuleuse d'angle sans dispositif de protection.

5.3 MARCHÉ D'ESSAI DE NOUVELLES MEULES

Faites tourner la meuleuse d'angle sans charge avec la meule ou la meule tronçonneuse montée pendant une minute au minimum. Remplacez tout de suite des meules vibrantes.

6. Commande

6.1 Interrupteur (figure 4)

La meuleuse d'angle est équipée d'un interrupteur de sécurité pour la prévention des accidents. Pour mettre en marche, appuyez sur l'interrupteur marche/arrêt (2) vers la droite et poussez-le ensuite vers l'avant. Pour la mise hors circuit de la meuleuse d'angle, poussez l'interrupteur marche/arrêt (2) vers l'arrière. L'interrupteur marche/arrêt (2) retourne dans sa position d'origine.

⚠ Patientez jusqu'à ce que la machine ait atteint sa vitesse de rotation maximale. Ensuite, vous pouvez placer la meuleuse d'angle sur la pièce à usiner et l'usiner.

6.2 Remplacement des meules (figures 5 / 6)

Pour remplacer les meules, vous avez besoin de la clé à ergots jointe (5). La clé à ergots (5) est conservée dans la poignée supplémentaire (3). Tirer au besoin la clé à ergots (5) hors de la poignée supplémentaire (3).

Attention ! Pour des raisons de sécurité, il est interdit d'utiliser la meuleuse d'angle lorsque la clé à ergot (5) est enfichée.

Retirez la fiche secteur

- Remplacement aisé des meules grâce au dispositif d'arrêt de broche.
- Poussez ce dispositif d'arrêt et faites enclencher la meule.
- Ouvrez l'écrou à bride au moyen de la clé à ergots. (figure 6)
- Remplacez la meule ou la meule à tronçonner et serrez bien l'écrou à bride au moyen de la clé à ergots.

⚠ Attention:

Poussez le dispositif d'arrêt de broche seulement si le moteur et la broche sont arrêtés! Veillez à ce que le dispositif d'arrêt de broche soit poussé pendant le remplacement de la meule!

Si vous utilisez des meules ou des meules tronçonneuses d'une épaisseur maximale de 3 mm, vissez l'écrou à bride de sorte que le côté plan soit dirigé vers la meule ou la meule tronçonneuse.

6.3 Disposition des brides en cas d'utilisation de meules et de meules tronçonneuses (Fig. 7-10)

- Disposition des brides en cas d'utilisation d'une meule contre-coudeé ou droite (Fig. 8)
- a) Bride de serrage
- b) Ecrou à bride
- Disposition des brides en cas d'utilisation d'une meule tronçonneuse contre-coudeé (Fig. 9)
- a) Bride de serrage
- b) Ecrou à bride
- Disposition des brides en cas d'utilisation d'une meule tronçonneuse droite (Fig. 10)
- a) Bride de serrage
- b) Ecrou à bride

6.4 MOTEUR

Il faut que le moteur soit bien ventilé pendant le travail; c'est pourquoi les fentes de ventilation doivent rester toujours propres.

6.5 MEULES

- Le diamètre de la meule ou de la meule tronçonneuse ne doit jamais dépasser le diamètre préconisé.
- Avant d'utiliser la meule ou la meule tronçonneuse, vérifiez sa vitesse de rotation spécifiée.
- La vitesse de rotation maximale de la meule ou de la meule tronçonneuse doit être supérieure à la vitesse de rotation à vide de la meuleuse d'angle
- Utilisez exclusivement des meules ou des meules tronçonneuses homologuées pour une vitesse de rotation minimale de 12.000 tr./mn. et pour une vitesse circonférentielle de 80 m/sec.
- En cas d'utilisation de meules tronçonneuses diamantées faites attention au sens de rotation. Le flèche de sens de rotation sur la meule tronçonneuse diamantée doit correspondre à la flèche de sens de rotation sur l'appareil.

Veillez particulièrement à ce que les meules soient correctement entreposées et transportées. N'exposez jamais les meules aux chocs, coups ou arêtes vives (p. ex. lors du transport ou en les mettant dans une caisse à outils). Cela pourrait entraîner un endommagement des meules et entraîner p. ex. des fissures et représenter donc un danger pour l'utilisateur.

6.6 CONSIGNES DE TRAVAIL

6.6.1 Dégrossissage (figure 11)

⚠ Attention ! Utilisez le dispositif de protection pour l'affûtage (compris dans la livraison). Le travail de dégrossissage sera le plus efficace si vous mettez la meule à un angle de 30° à 40° par rapport au plan de ponçage et la passez par-dessus la pièce à usiner avec un mouvement de va-et-vient.

6.6.2 Coupage (figure 12)

⚠ Attention ! Utilisez le dispositif de protection pour le tronçonnage (disponible en tant qu'accessoire, voir 8.4).

Pendant les travaux de coupage, n'inclinez pas la meuleuse d'angle dans le plan de coupe. Il faut que la meule tronçonneuse présente une arête de coupe nette.

Il vaut mieux utiliser une meule diamantée pour couper des pierres dures.

⚠ Il ne faut pas usiner des matériaux contenant de l'amiante.

⚠ N'utilisez jamais des meules tronçonneuses pour le dégrossissage!

7. Remplacement de la ligne de raccordement réseau

Si la ligne de raccordement réseau de cet appareil est endommagée, il faut la faire remplacer par le producteur ou son service après-vente ou par une personne de qualification semblable afin d'éviter tout risque.

8. Nettoyage, maintenance et commande de pièces de rechange

Retirez la fiche de contact avant tous travaux de nettoyage.

8.1 Nettoyage

- Maintenez les dispositifs de protection, les fentes à air et le carter de moteur aussi propres (sans poussière) que possible. Frottez l'appareil avec un chiffon propre ou soufflez dessus avec de l'air comprimé à basse pression.
- Nous recommandons de nettoyer l'appareil directement après chaque utilisation.
- Nettoyez l'appareil régulièrement à l'aide d'un chiffon humide et un peu de savon. N'utilisez aucun produit de nettoyage ni détergeant; ils pourraient endommager les pièces en matières plastiques de l'appareil. Veillez à ce qu'aucune eau n'entre à l'intérieur de l'appareil. La pénétration de l'eau dans un appareil électrique augmente le risque de décharge électrique.

8.2 Brosses à charbon

Si les brosses à charbon font trop d'étincelles, faites-les contrôler par des spécialistes en électricité. Attention ! Seul un(e) spécialiste électricien(ne) est autorisé à remplacer les brosses à charbon.

8.3 Maintenance

Aucune pièce à l'intérieur de l'appareil n'a besoin de maintenance.

8.4 Commande de pièces de rechange :

Pour les commandes de pièces de rechange, veuillez indiquer les références suivantes:

- Type de l'appareil
- No. d'article de l'appareil
- No. d'identification de l'appareil
- No. de pièce de rechange de la pièce requise

Vous trouverez les prix et informations actuelles à l'adresse www.isc-gmbh.info

Recouvrement de protection pour la séparation
(réf. : 44.500.32)

9. Mise au rebut et recyclage

L'appareil se trouve dans un emballage permettant d'éviter les dommages dus au transport. Cet emballage est une matière première et peut donc être réutilisé ultérieurement ou être réintroduit dans le circuit des matières premières. L'appareil et ses accessoires sont en matériaux divers, comme par ex. des métaux et matières plastiques. Les appareils défectueux ne doivent pas être jetés dans les poubelles domestiques. Pour une mise au rebut conforme à la réglementation, l'appareil doit être déposé dans un centre de collecte approprié. Si vous ne connaissez pas de centre de collecte, veuillez vous renseigner auprès de l'administration de votre commune.

10. Stockage

Entreposez l'appareil et ses accessoires dans un endroit sombre, sec et à l'abri du gel tout comme inaccessible aux enfants. La température de stockage optimale est comprise entre 5 et 30 °C. Conservez l'outil électrique dans l'emballage d'origine.

Toute réimpression ou autre reproduction de la documentation et des papiers joints aux produits, même sous forme d'extraits, est uniquement permise une fois l'accord explicite de l'ISC GmbH obtenu.

Sous réserve de modifications techniques

Informations service après-vente

Nous disposons dans tous les pays mentionnés dans le bon de garantie de partenaires de service après-vente compétents dont vous trouverez les coordonnées dans le bon de garantie. Ceux-ci se tiennent à votre disposition pour tout ce qui concerne le service après-vente comme les réparations, l'approvisionnement en pièces de rechange et d'usure ou l'achat de pièces de consommation.

Il faut tenir compte du fait que pour ce produit les pièces suivantes sont soumises à une usure liée à l'utilisation ou à une usure naturelle ou que les pièces suivantes sont nécessaires en tant que consommables.

Catégorie	Exemple
Pièces d'usure*	brosses à charbon
Matériel de consommation/ pièces de consommation*	meules tronçonneuses, meules
Pièces manquantes	

*Pas obligatoirement compris dans la livraison !

En cas de vices ou de défauts, nous vous prions d'enregistrer le cas du défaut sur internet à l'adresse www.isc-gmbh.info. Veuillez donner une description précise du défaut et répondre dans tous les cas aux questions suivantes :

- est-ce que l'appareil a fonctionné une fois ou était-il défectueux dès le départ ?
- avez-vous remarqué quelque chose avant la panne (symptôme avant la panne) ?
- quel est le défaut de fonctionnement de l'appareil à votre avis (symptôme principal) ?
Décrivez ce défaut de fonctionnement.

Bon de garantie

Chère cliente, cher client,
nos produits sont soumis à un contrôle de qualité très strict. Si toutefois, il arrivait que cet appareil ne fonctionne pas parfaitement, nous en sommes désolés et nous vous prions de vous adresser à notre service après-vente à l'adresse indiquée sur le bon de garantie. Nous nous tenons également volontiers à votre disposition par téléphone au numéro de service après-vente indiqué. La garantie est valable dans les conditions suivantes :

1. Ces conditions de garantie s'adressent uniquement à des consommateurs, c'est à dire à des personnes physiques qui ne souhaitent ni utiliser ce produit dans le cadre de leur activité industrielle ou artisanale, ni dans le cadre de toute autre activité indépendante. Les conditions de garantie réglementent les prestations de garantie supplémentaires que le fabricant mentionné ci-dessous promet aux acheteurs de ses appareils en supplément de la prestation de garantie légale. Vos droits légaux en matière de garantie restent inchangés. Notre prestation de garanti est gratuite pour vous.
2. La prestation de garantie s'étend exclusivement aux défauts résultant d'une erreur de fabrication ou de matériau d'un appareil neuf du fabricant mentionné ci-dessous et acheté par vos soins. La prestation de garantie se limite selon notre décision soit à la résolution de tels défauts sur l'appareil, soit à l'échange de l'appareil.
Veillez au fait que nos appareils, conformément au règlement, n'ont pas été conçus pour être utilisés dans un environnement professionnel, industriel ou artisanal. Il n'y a donc pas de contrat de garantie quand l'appareil a été utilisé professionnellement, artisanalement ou par des sociétés industrielles ou exposé à une sollicitation semblable pendant la durée de la garantie.
3. Sont exclus de notre garantie :
 - les dommages liés au non-respect des instructions de montage ou en raison d'une installation incorrecte, au non-respect du mode d'emploi (en raison par ex. du branchement de l'appareil sur la tension de réseau ou le type de courant incorrect), au non-respect des dispositions de maintenance et de sécurité ou résultant d'une exposition de l'appareil à des conditions environnementales anormales ou d'un manque d'entretien et de maintenance.
 - les dommages résultant d'une utilisation abusive ou non conforme (comme par ex. une surcharge de l'appareil ou une utilisation d'outils ou d'accessoires non autorisés), de la pénétration d'objets étrangers dans l'appareil (comme par ex. du sable, des pierres ou de la poussière), de l'utilisation de la force ou de la violence (comme par ex. les dommages liés aux chutes).
 - les dommages sur l'appareil ou des parties de l'appareil résultant de l'usure normale liée à l'utilisation de l'appareil ou de toute autre usure naturelle.
4. La durée de garantie est de 24 mois et débute à la date d'achat de l'appareil. Les droits à la garantie doivent être revendiqués avant l'expiration de la durée de garantie dans un délai de deux semaines après avoir constaté le défaut. La revendication de droits à la garantie après expiration de la durée de garantie est exclue. La réparation ou l'échange de l'appareil n'entraîne ni une extension de la durée de garantie ni le début d'une nouvelle durée de garantie pour cet appareil ou toute autre pièce de rechange installée sur l'appareil. Cela est valable également dans le cas d'une intervention du service après-vente à domicile.
5. Pour faire valoir vos droits à la garantie, veuillez enregistrer l'appareil défectueux à l'adresse suivante : www.isc-gmbh.info. Veuillez garder à disposition la preuve d'achat ou tout autre justificatif de l'achat de votre nouvel appareil. Les appareils envoyés sans les justificatifs correspondants ou sans plaque signalétique sont exclus de la prestation de garantie en raison de l'impossibilité de les enregistrer. Si le défaut de l'appareil est inclut dans la garantie, vous recevrez sans délai un appareil réparé ou un nouvel appareil.

Bien entendu, nous réparons volontiers les défauts de votre appareil qui ne sont pas ou plus compris dans l'étendue de la garantie contre le remboursement des frais de réparation. Pour cela, veuillez envoyer l'appareil à notre adresse de service après-vente.

Pour les pièces d'usure, de consommation et manquantes, nous renvoyons aux restrictions de cette garantie conformément aux informations du service après-vente de ce mode d'emploi.



A series of 20 horizontal lines for writing, starting from the top right and extending downwards.



Two horizontal lines are positioned to the right of the pencil's tip, serving as a starting point for writing. Below these, there are 28 additional horizontal lines spaced evenly down the page, providing a template for handwriting practice.



EH 02/2016 (01)

