



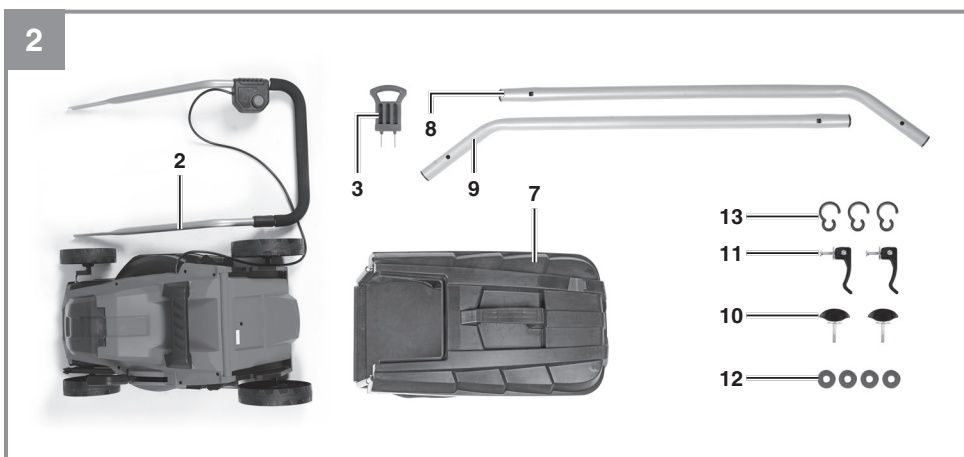
GE-CM 18/33 Li BL

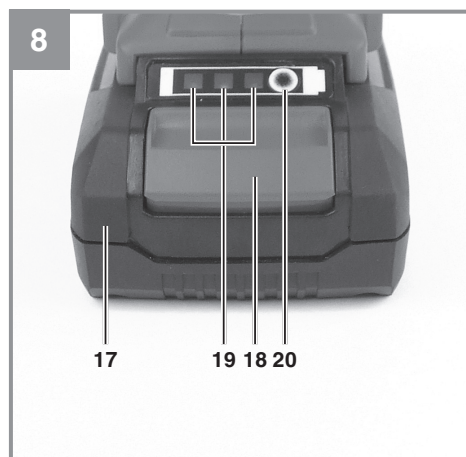
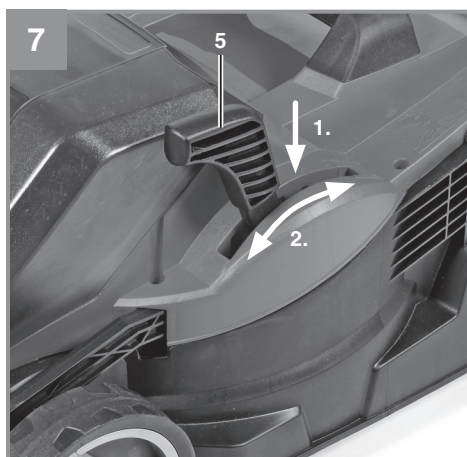
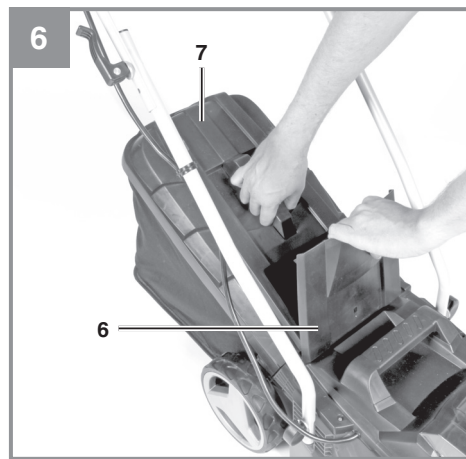
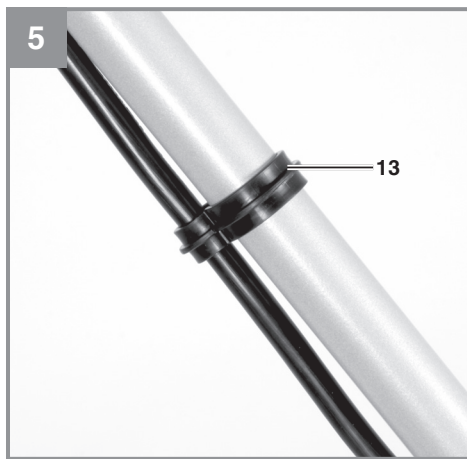
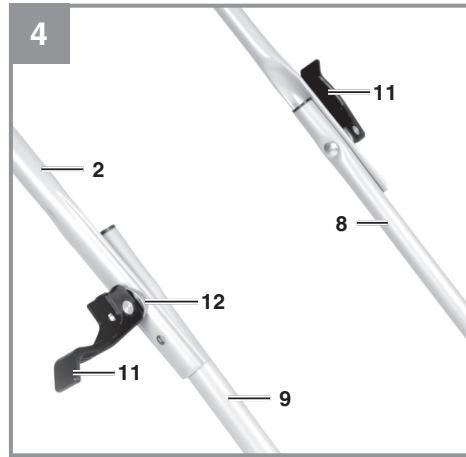
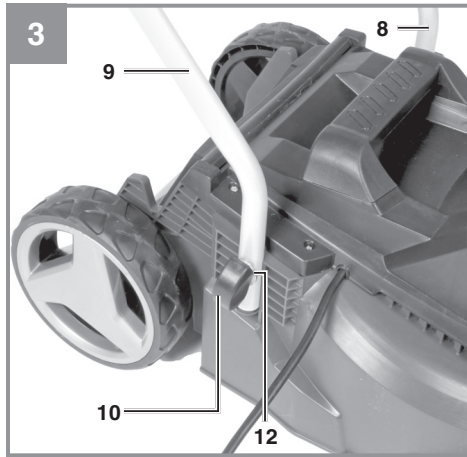
- EN** Operating instructions
Cordless Lawn Mower
- FR** Mode d'emploi
Tondeuse à gazon sans fil
- SP** Manual de instrucciones
Cortacéspedes inalámbricos

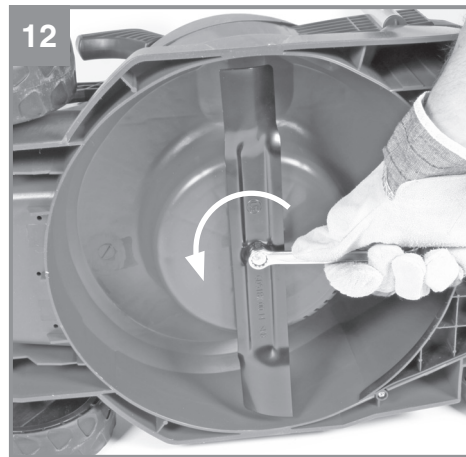
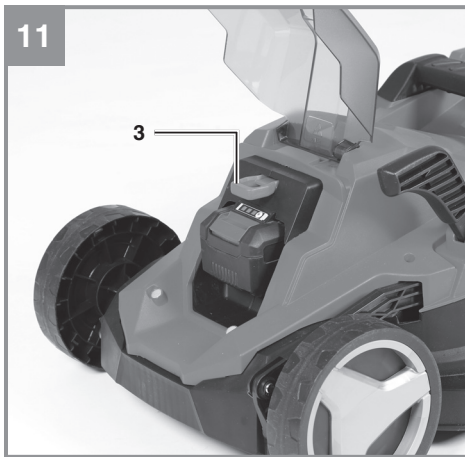
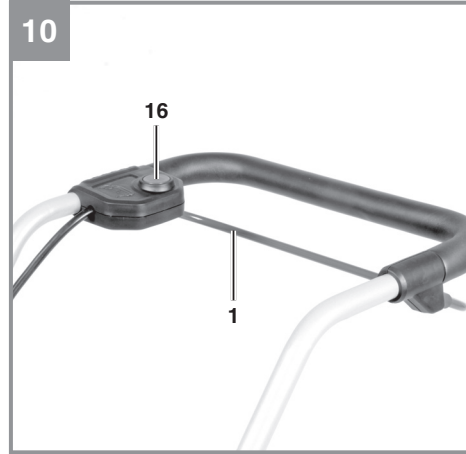
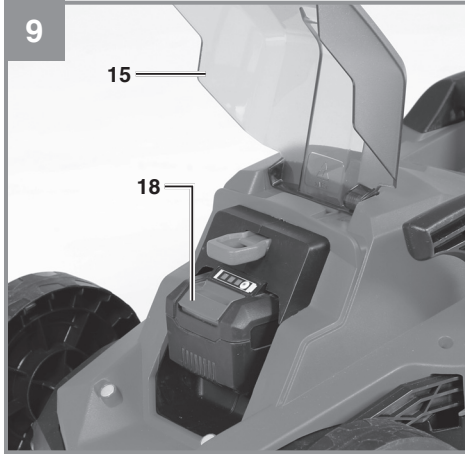


Art.-Nr.: 3413299

I.-Nr.: 21013







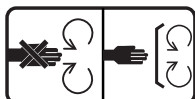
AVOID SERIOUS INJURY OR DEATH



Read the operator's manual. Go across slopes, not up and down. Do not mow when children or others are around.



Look down and behind before and while moving backwards. Remove objects that could be thrown by the blade.



Keep safety device (guards, shields, switches, etc.) in place and working.



Use extra caution on slopes. Do not mow slopes greater than 15°.



To reduce risk of electric shock, do not expose unit to water or operate unit on wet ground.

- Disconnect batteries before opening, cleaning or changing accessories.
- To reduce the risk of injury, do not operate without guards in place.
- To reduce the risk of injury, inspect catcher assembly frequently and replace with recommended replacement if there are signs of wear or deterioration.
- Risk of cutting toes and fingers from the rotating mower blade.
- Keep bystanders/children away.

Remove battery pack when not in use.



Store the batteries only in dry rooms with an ambient temperature of 50°F to 104°F (+10°C to +40°C). Place only fully charged batteries in storage (charged at least 40%).



Keep your distance!



Caution: Sharp blades! Pull out the safety plug before carrying out any repair work or if the power cable is damaged. The blades will continue to rotate after the motor is switched off.



Protect the equipment from rain and damp conditions.



For use in dry rooms only.

DANGER!

When using the equipment, a number of safety precautions must be observed to avoid injuries and damage. Please read the complete operating instructions and safety information with due care. Keep these operating instructions in a safe place so that the information is available at all times. If you give the equipment to any other person, hand over these operating instructions and the safety information as well. We cannot accept any liability for damage or accidents which arise due to failure to follow these instructions and the safety information.

1. Safety information

Warning: When using electric lawn mowers basic safety precautions should always be followed to reduce the risk of fire electric shock, including the following:

Warning: Risk of injury could occur if the lawn mower is operated without the catcher assembly attached.

Warning: The use of any other accessory or attachment might increase the risk of injury.

FOR ALL LAWN MOWERS

- Avoid Dangerous Environment-Don't use lawn mowers in damp or wet locations.
- Don't Use In Rain.
- Keep Children Away-All visitors should be kept a safe distance from work area.
- Dress Properly-Do not wear loose clothing. They can be caught in moving parts. Use of rubber gloves and footwear is recommended when working outdoors.
- Use Safety Glasses-Always use face or dust mask if operation is dusty.
- Use Right Appliance-Do not use lawn mower for any job except that for which it is intended.
- Don't Force Lawn Mower-it will do the job better and safer at the rate for which it was designed.
- Don't Overreach -Keep proper footing and balance at all times.
- Stay Alert-Watch what you are doing. Use common sense. Do not operate lawn mower when you are tired.
- Store Idle Lawn Mower Indoors-When not in use. Lawn mower should be stored in a dry indoor location, out of reach of children.
- Maintain Lawn Mower with Care-Keep cutting edges sharp and clean for best and

safest performance. Follow instructions for lubricating and changing accessories. Keep handles dry, clean, and free from oil and grease.

- Keep guard in place and in working order.
- Keep blades sharp.
- Keep hands and feet away from cutting area.
- Objects struck by the lawn mower blade can cause severe injuries to persons. The lawn should always be carefully examined and cleared of all objects prior to each mowing.
- If lawn mower strikes a foreign object, follow these steps:
 - i) Stop lawn mower. Release the switch.
 - ii) Inspect for damage.
 - iii) Repair any damage before restarting and operating the lawn mower.
- Use identical replacement blades only.
- Prevent unintentional starting. Ensure the switch is in the off-position before connecting the battery pack, picking up or carrying the appliance. Carrying the appliance with your finger on the switch or energizing appliances that have the switch on invites accidents.
- Disconnect the battery pack from the appliance before making any adjustments, changing accessories, or storing appliance. Such preventive safety measures reduce the risk of starting the appliance accidentally.
- Recharge only with the charger specified by the manufacturer. A charger that is suitable for one type of battery pack may create a risk of fire when used with another battery pack.
- Use appliances only with specifically designated battery packs. Use of any other battery packs may create a risk of injury and fire.
- When battery pack is not in use, keep it away from other metal objects, like paper clips, coins, keys, nails, screws or other small metal objects, that can make a connection from one terminal to another. Shorting the battery terminals together may cause burns or a fire.
- Under abusive conditions, liquid may be ejected from the battery; avoid contact. If contact accidentally occurs, flush with water. If liquid contacts eyes, additionally seek medical help. Liquid ejected from the battery may cause irritation or burns. (This advice is considered correct for conventional NiMh, NiCd, lead acid and Lithium-Ion cell types. If this advice is incorrect for a cell design that differs from these, then the correct advice may be substituted).
- Do not use a battery pack or appliance that is

damaged or modified. Damaged or modified batteries may exhibit unpredictable behavior resulting in fire, explosion or risk of injury.

- Do not expose a battery pack or appliance to fire or excessive temperature. Exposure to fire or temperature above 266°F (130 °C) may cause explosion.
- Follow all charging instructions and do not charge the battery pack or appliance outside of the temperature range specified in the instructions. Charging improperly or at temperatures outside of the specified range may damage the battery and increase the risk of fire.
- Have servicing performed by a qualified repair person using only identical replacement parts. This will ensure that the safety of the product is maintained.
- Do not modify or attempt to repair the appliance or the battery pack (as applicable) except as indicated in the instructions for use and care.

1.) FOR ALL BATTERY-OPERATED APPLIANCES:

- Do not charge appliance in rain, or in wet locations.
- Do not use battery-operated appliances in the rain. Always remove or disconnect battery pack before adjusting, cleaning, servicing or transporting the garden appliances.

2.) FOR ALL BATTERY-OPERATED PRODUCTS EMPLOYING A DETACHABLE OR SEPARABLE

BATTERY:

- Use only the following type and size battery:
18V 1.5Ah PXC Lithium-ion battery
18V 2.0Ah PXC Lithium-ion battery
18V 3.0Ah PXC Lithium-ion battery
18V 4.0Ah PXC Lithium-ion battery
18V 3.0Ah PXC Plus Lithium-ion battery
18V 4.0Ah PXC Plus Lithium-ion battery
18V 5.2Ah PXC Plus Lithium-ion battery
18V 4.0Ah/6.0Ah PXC Plus Lithium-ion battery
- Do not dispose of the battery in a fire. The cell may explode. Check with local codes for possible special disposal instructions.
- Do not open or mutilate the battery. Released electrolyte is corrosive and may cause damage to the eyes or skin. It may be toxic if swallowed.
- Exercise care in handling the battery in order not to short it with conducting materials such

as rings, bracelets, and keys. The battery or conductor may overheat and cause burns.

3.) SAFE PRACTICES FOR PEDESTRIAN-CONTROLLED MOWERS

This cutting machine is capable of amputating hands and feet and throwing objects. Failure to observe the following safety instructions could result in serious injury or death.

I. GENERAL INFORMATION

1. Read, understand, and follow all instructions on the machine and in the manual(s) before starting.
2. Only allow operators, who are responsible, trained, familiar with the instructions, and physically capable to operate the machine.
3. Do not carry passengers and keep bystanders away.
4. Do not operate the machine while under the influence of alcohol or drugs.
5. Follow the manufacturer's recommendation for wheel weights or counterweights.

II. PREPARATION BEFORE OPERATING

1. Clear the operating area of any objects which could be thrown by or interfere with operation of the machine.
2. Keep the area of operation clear of all bystanders, particularly small children. Stop the machine and attachment(s) if anyone enters the area.
3. Do not operate the machine without the entire grass catcher, discharge chute, or other safety devices in place and functioning properly. Check frequently for signs of wear or deterioration and replace as needed.
4. Wear appropriate personal protective equipment such as safety glasses, hearing protection, and footwear.

III. OPERATING

1. Only operate the machine in daylight or good artificial light.
2. Avoid holes, ruts, bumps, rocks, or other hidden hazards. Uneven terrain could overturn the machine, or cause operator to lose their balance or footing.
3. Do not put hands or feet near rotating parts or under the machine. Keep clear of the discharge opening at all times.
4. Do not direct discharge material toward anyone. Avoid discharging material against a wall or obstruction. Material may ricochet back toward the operator. Stop the blade(s) when crossing gravel surfaces.
5. Do not mow in reverse unless absolutely

necessary. Always look down and behind before and while backing.

IV. CHILDREN SPECIFIC

1. Tragic accidents can occur if the operator is not alert to the presence of children. Children are often attracted to the machine and the mowing activity. Never assume that children will remain where you last saw them.
2. Keep children out of the operating area and under the watchful care of a responsible adult other than the operator.
3. Be alert and turn mower off if a child enters the area.
4. Never allow children to operate the machine.

V. SLOPE SPECIFIC

Slopes are a major factor related to accidents. Operation on slopes requires extra caution.

1. Travel in the manufacturer recommended direction on slopes. Use caution while operating near dropoffs.
2. Avoid mowing wet grass. (Poor footing could cause a slip and fall accident.)
3. Do not operate machine under any condition where traction, steering, or stability is in question. Tires could slide even if the wheels are stopped.
4. Always keep the machine in gear when going down slopes. Do not coast downhill.
5. Avoid starting and stopping on slopes. Avoid making sudden changes in speed or direction. Make turns slowly and gradually.
6. Use extra care while operating machine with a grass catcher or other attachment(s). They can affect the stability of the machine.

VI. SERVICE

1. Keep machine in good working order. Replace worn or damaged parts.
2. Use caution when servicing blades. Wrap the blade(s) or wear gloves. Replace damaged blades. Do not repair or alter blade(s).

GENERAL SAFETY WARNINGS FOR THE BATTERY PACK

- Dispose of used battery promptly and properly. When disposing of secondary cells or batteries, keep cells or batteries of different electrochemical systems separate from each other.
- Keep battery out of reach of children and in original package until ready to use.
- Never put batteries in one's mouth. If swallowed, contact local poison control centre immediately.
- CAUTION – The battery used in this device may present a risk of fire or chemical burn

if mishandled. Replace battery with Einhell brand only. Use of another battery may present a risk of fire or explosion.

- WARNING: Do not use a visibly damaged battery pack or appliance.
- WARNING: Do not modify or attempt to repair the appliance or the battery pack.
- **BATTERIES MUST BE RECYCLED.**
- Do not short-circuit a cell or battery. Do not store cells or batteries haphazardly in a box or drawer where they may shortcircuit each other or be short-circuited by conductive materials.
- Do not subject cells or batteries to mechanical shocks.
- Keep cells and batteries clean and dry. Wipe the cell or battery terminals with a clean dry cloth if they become dirty.
- Do not maintain secondary cells and batteries on charge when not in use.
- Retain the original cell and battery. Do not use any charger other than that specifically provided for use with the equipment. Secondary cells and batteries need to be charged before use. Always use the correct charger and refer to the manufacturer's instructions or equipment manual for proper charging instructions.
- When possible, remove the battery from the equipment when not in use.
- Under abusive conditions, liquid may be ejected from the battery; avoid contact. If contact accidentally occurs, flush with water. If liquid contacts eyes, additionally seek medical help. Liquid ejected from the battery may cause irritation or burns.
- Have servicing performed by a qualified repair person using only identical replacement parts. This will ensure that the safety of the product is maintained.

IMPORTANT SAFETY INSTRUCTIONS FOR CHARGER

WARNING: This product may contain lead, phthalate or other chemicals known to the State of California to cause cancer, birth defects and other reproductive harm. Please wash your hands after use.

Protection from environmental influences

1. Wear suitable work clothes. Wear safety goggles.
2. **Protect your cordless tool and the battery charger from moisture and rain.** Moisture and rain can cause dangerous cell damage.
3. Do not use the cordless tool or the battery charger near vapors and inflammable liquids.
4. Use the battery charger and cordless tools only in dry conditions and an ambient temperature of 10-40°C.
5. Do not keep the battery charger in places where the temperature is liable to reach over 40°C. In particular, do not leave the battery charger in a car that is parked in the sunshine.
6. **Protect batteries from overheating.** Overloads, overcharging and exposure to direct sunlight will result in overheating and cell damage. Never charge or work with batteries which have been overheated – replace them immediately if possible.
7. **Storage of batteries, battery chargers and cordless tools.** Store the charger and your cordless tool only in dry places with an ambient temperature of 10-40°C. Store your Lithium-ion battery pack in a cool, dry place at a temperature of 10-20°C. Protect them from humidity and direct sunlight. Only place fully charged batteries in storage (charged at least 40%).
8. Prevent the Lithium-ion battery pack from freezing. Battery packs which were stored below 0°C for more than 60 minutes must be disposed of.
9. When handling batteries beware of electrostatic charge: Electrostatic discharges cause damage of the electronic protection system and the battery cells. Avoid electrostatic charging and never touch the battery poles.

Special safety information

- Read the operating instructions carefully. Familiarize yourself with the operator controls and proper operation of the machine.
- Never allow children or other persons who are not familiar with the operating instructions to use the equipment. Contact your local governmental agency for information regarding minimum age requirements for the user.
- Never work in the direct vicinity of persons - especially children - or animals.
- Always keep in mind that the machine operator or user is responsible for accidents

involving other persons and/or their property.

Preliminary measures

- Always wear sturdy, non-slip footwear and long trousers when using the machine. Never use the machine barefoot or in sandals.
- Check all the ground on which the machine will be used and remove all objects that could be caught up and violently flung out by it.
- Before using the machine, always visually examine the tools for excessive wear or damage. To prevent any imbalance, replace worn out or damaged parts and mounting bolts as a set only.
- Make sure that all nuts, bolts and screws are tightened securely and that the machine is in safe working condition.

Safety instructions for hand mower

- Always check the machine for signs of damage before use. Repairs may only be carried out by our service workshop. If unusual vibrations occur during use, switch the machine off immediately and pull the safety plug. Check the blade(s) and clean them if necessary. If the equipment continues to vibrate, switch it off, pull the safety plug and send it to our service workshop.
- The machine must not be tipped whilst it is being started. Both hands must be on the handle when you start the machine.
- Worn parts may only be replaced by a qualified service center. If needed, contact the nearest service center.

WARNINGS:

- Do not touch the blade until the batteries have been removed and the blade has reached a complete standstill;
- Break the connection with the rechargeable batteries (in other words pull out the safety plug):
 - whenever you leave the equipment unattended;
 - before clearing a blocked blade;
 - before carrying out any checks, cleaning or other work on the equipment
 - if a foreign body has been struck;
 - whenever the machine starts to vibrate oddly;
- Carefully read the instructions for how to operate the machine safely.

Handling

- a) Only mow in broad daylight or in well-lit conditions.
- b) Do not use the machine on wet grass.
- c) Always maintain good footing on inclines.
- d) Only operate the machine at a walking pace.
- e) Always mow across slopes, i.e. never straight up or straight down.
- f) Be particularly careful when you change direction on a slope.
- g) Do not mow on overly steep inclines.
- h) Always be extra careful when turning the mower around and when pulling it towards you.
- i) Switch the mower off, pull the safety plug and wait until the blade has reached a complete standstill if you need to tip the mower over, transport it over surfaces other than grass and if the mower has to be moved from and to the area you wish to mow.
- j) Never use the lawn mower if the guards are damaged or without the attached guards, e.g. deflectors and/or grass catching devices.
- k) Use the On/Off switch carefully as described in the manufacturer's instructions. Make sure that your feet are far enough away from the mower blade!
- l) The lawn mower should not be tilted when the motor is switch on unless it has to be raised for starting purposes. In this case, tilt it as little as absolutely necessary and only raise the side opposite to that of the user.
- m) Do not switch on the mower if you are positioned in front of the chute.
- n) Never move your hands or feet toward or under any rotating parts. Keep clear of the chute opening at all times.
- o) Never lift or carry a lawn mower with the engine running.
- p) Switch off the motor and pull out the safety plug. Make sure that all moving parts have reached a complete standstill.
 - Before you dislodge any blockages or clogs in the chute.
 - Before you carry out any checks, cleaning, maintenance or other work on the lawn mower.
 - If you have struck a foreign object. Examine the mower for signs of damage and carry out any necessary repairs before restarting and continuing to work with the mower.
 - If the lawn mower begins to experience exceptionally strong vibrations, immediately switch it off and check it.

- q) Switch the mower off, pull the safety plug and make sure that all moving parts have reached a complete standstill.

Maintenance and storage

- a) Make sure that all nuts, bolts and screws are tightened securely and that the machine is in safe working condition.
- b) Allow the mower to cool before you put it into an enclosed area.
- c) To avoid the risk of fire, keep the motor housing and ventilation slots clear of grass, leaves, oil and grease.
- d) Routinely check the collection bag for signs of wear and impaired functionality.
- e) For your own safety, have worn or damaged parts replaced without delay.
- f) Take care not to jam your fingers between moving blades and stationary parts of the equipment while you are adjusting the equipment.
- g) While you are carrying out maintenance work on the blades, remember that the blades can still be moved even if the power source has been switched off.

SAVE THESE INSTRUCTIONS**2. Layout and items supplied****2.1 Layout**

1. Switching bar
2. Upper push bar
3. Safety plug
4. Carry handle
5. Central cutting height adjustment
6. Ejector flap
7. Grass basket
8. Lower push bar on left-hand side
9. Lower push bar on right-hand side
10. Fastening screws for bottom push bar (2x)
11. Screws for top push bar with quick clamping function (2x)
12. Washers (4x)
13. Cable clips (3x)
14. Level indicator
15. Cover flap
16. Safety lock-off
17. Battery
18. Push lock button
19. Battery capacity indicator
20. Battery capacity indicator button

2.2 Items supplied

Please check that the article is complete as specified in the scope of delivery. If parts are missing, please contact our service center or the store where you made your purchase at the latest within 5 work days after purchasing the article and upon presentation of a valid bill of purchase.

- Open the packaging and take out the equipment with care.
- Remove the packaging material and any packaging and/or transportation braces (if present).
- Check to see if all the items are supplied.
- Inspect the equipment and accessories for transport damage.
- If possible, keep the packaging until the end of the guarantee period.

Danger!

The equipment and packaging material are not toys. Do not let children play with plastic bags, plastic sheets and small parts. There is a risk of choking and suffocating!

- Cordless Lawn Mower
- Original operating instruction with safety information

Separately available accessories

18V 1.5Ah PXC Lithium-Ion battery
 18V 2.0Ah PXC Lithium-Ion battery
 18V 3.0Ah PXC Lithium-Ion battery
 18V 4.0Ah PXC Lithium-Ion battery
 18V 3.0Ah PXC Plus Lithium-Ion battery
 18V 4.0Ah PXC Plus Lithium-Ion battery
 18V 5.2Ah PXC Plus Lithium-Ion battery
 18V 4.0Ah/6.0Ah PXC Plus Lithium-Ion battery
 18V PXC Fast Charger

Contact your local retailer for more specific models of batteries and charger available in your area. You can also explore battery + charger options at Einhell.com.

3. Intended use

The lawn mower is intended for private use i.e. for use in home and gardening environments.

Private use of the lawn mower refers an annual operating time generally not exceeding that of 50 hours, during which time the equipment is primarily used to maintain small-scale, residential

lawns and home/hobby gardens. Public facilities, sporting halls, and agricultural/forestry applications are excluded.


Important. Due to the high risk of bodily injury to the user, the lawn mower may not be used to trim bushes, hedges or shrubs, to cut scaling vegetation, planted roofs, or balcony-grown grass, to clean (suck up) dirt and debris off walkways, or to chop up tree or hedge clippings. Moreover, the lawn mower may not be used as a power cultivator to level out high areas such as molehills.

For safety reasons, the lawn mower may not be used as a drive unit for other work tools or toolkits of any kind, unless they have been expressly permitted by the manufacturer.

The equipment is allowed to be used only for its prescribed purpose. Any other use is deemed to be a case of misuse. The user/operator and not the manufacturer will be liable for any damage or injuries of any kind resulting from such misuse.

Please note that our equipment has not been designed for use in commercial, trade or industrial applications. Our warranty will be voided if the equipment is used in commercial, trade or industrial businesses or for equivalent purposes.

4. Technical data

Motor power supply: 18V 
 Motor speed: 3400 RPM
 Protection type: IPX1
 Cutting width: 13"
 Grass basket volume: 8 Gal.
 Cutting height adjustment: 1" to 2-1/2"; 5 levels
 Weight (tool only): 22.5 lbs

Wear ear-muffs.

The impact of noise can cause damage to hearing.

Reduce noise generation and vibration to a minimum!

- Use only equipment that is in perfect condition.
- Maintain and clean the equipment regularly.
- Adapt your way of working to the equipment.
- Do not overload the equipment.
- Have the equipment checked if necessary.
- Switch off the equipment when not in use.
- Wear gloves.

CAUTION!

Residual risks

Even if you use this electric power tool in accordance with the instructions, certain residual risks cannot be eliminated. The following hazards may arise in connection with the equipment's construction and layout:

1. Lung damage if no suitable protective dust mask is used.
2. Damage to hearing if no suitable ear protection is applied.

Warning!

This equipment generates an electromagnetic field during operation. Under certain circumstances this field may actively or passively impede medical implants. To reduce the risk of serious or fatal injuries, we recommend persons with medical implants to consult their doctor and the manufacturer of the medical implant prior to using the equipment.

5. Before starting the equipment

The lawn mower is delivered partly assembled. The push bar and the grass basket must be assembled before using the lawn mower. Follow the instructions step by step and refer to the pictures when assembling.

Important! Required assembly parts (screws, cable guides, etc.) or functional parts (e.g. plugs, wrenches, etc.) can be found in the molded parts of the packaging or on the equipment.

Warning! Always pull out the safety plug before making adjustments to the equipment.

Mounting the push bar (Fig. 3-5)

Start by fastening the lower push bars for the left-hand side (Fig. 3/Item 8) and the right-hand side (Fig. 3/Item 9) to the mower housing using the fastening screws and washers (Fig. 3/Item 10,12). The upper push bar then has to be slid onto the lower push bars and fastened with screws and washers (Fig. 4/Item 11,12). There are 2 different holes on each of the lower push bars for this, to enable the height of the push bar to be adjusted to the height of the user. Then fasten the power cable to the push bar with the cable clips (Fig. 5/Item 13).

Mounting the catch basket (Fig. 6)

Before you fit the catch basket you must ensure that the motor is switched off and the blade is not rotating. Lift the ejector flap (Fig. 6/Item 6) with one hand. With the other hand, hold the catch basket by the handle and hook it in from above (Fig. 6).

Filling level indicator of the grass collector

The grass box is equipped with a filling level indicator (Fig. 1/Item 14), which is opened by the airflow that the lawn mower generates during operation. If the flap closes during mowing, the grass collecting device is full and must be emptied. To ensure the proper functioning of the filling level indicator, the holes under the flap must always be kept clean and passable.

Adjusting the cutting height

Caution!

Adjust the cutting height only when the machine has been switched off and the safety plug has been pulled out.

The cutting height is adjusted as follows (Fig. 7):

1. Push the lever (5) downwards.
2. Set the lever (5) to the desired cutting height.
3. Release the lever (5) and check that it is securely seated in the lock.

Reading off the cutting height

The cutting height can be set between 1" - 2-½" in 5 levels, and can be read off on the scale.

Before you begin to mow, check to ensure that the blade is not blunt and that none of the fasteners are damaged. To prevent any imbalance, replace blunt and/or damaged blades. To carry out this check, first switch off the motor and pull out the safety plug.

5.1 Charging the Lithium-Ion battery

The corresponding instructions can be found in the original operating instructions for your charger.

5.2 Battery capacity indicator (Fig. 8)

Press the battery capacity indicator button (20). The battery capacity indicator (19) shows the charge status of the battery using 3 LEDs.

All 3 LEDs lit:

The battery is fully charged.

2 or 1 LED(s) lit:

The battery has an adequate remaining charge.

1 LED flashing:

The battery is empty, recharge the battery.

All LEDs flashing:

The temperature of the battery is too low. Remove the battery from the device and leave it at room temperature for a day. If the error occurs again, this means that the battery has been completely depth discharged and is defective. Remove the battery from the device. Never use or charge a defective battery.

Installing the battery (Fig. 9)

Note:

- The cover flap closes automatically and is held in closed position by magnets.

Open and hold the cover flap (15). Push the battery into the battery mount provided. Make sure that the pushlock button latches in place (18) as soon as the battery is pushed in completely. To remove the battery pack, proceed in reverse order.

6. Operation

Caution!

The lawn mower is equipped with a safety circuit to prevent unauthorized use. Directly before starting up the lawn mower insert the safety plug (Fig. 11/pos. 3) and remove the safety plug again whenever you interrupt or terminate your work.

Caution!

To prevent the machine switching on accidentally, the lawn mower is equipped with a safety lock-off (Fig. 10/Item 16) which must be pressed

before the button switches (Fig. 10/Item 1) can be activated. The lawn mower switches itself off when the button switches are released. Repeat this process several times so that you are sure that the machine functions properly. Before you perform any repair or maintenance work on the equipment, ensure that the blade is not rotating and that the safety plug is disconnected.

Caution! Never open the chute flap when the grass bag has been detached (to be emptied) and the motor is still running. A rotating blade can cause serious injuries!

Always carefully fasten the chute flap and grass basket. Switch off the engine before emptying the grass basket.

Always ensure that a safe distance (provided by the length of the long handles) is maintained between the user and the mower housing. Be especially careful when mowing and changing direction on slopes and inclines. Maintain a solid footing and wear sturdy, non-slip footwear and long trousers.

Always mow along the incline (not up and down). For safety reasons, the lawn mower may not be used to mow inclines whose gradient exceeds 15 degrees.

Use special caution when backing up and pulling the lawn mower. Tripping hazard!

Tips for proper mowing

It is recommended that you overlap the mowing swaths.

Only use a sharp blade that is in good condition.

This will prevent the grass blades from fraying and the lawn from turning yellow.

Try to mow in straight lines for a nice, clean look.

The swaths should overlap each other by a few centimeters in order to avoid stripes.

The operating time of the rechargeable batteries and therefore the area in square meters that can be covered with a single battery charge is largely dependent on the state of the grass (e.g. density, moisture, height, cutting height, etc.) and the mowing speed (walking speed). To adjust the area coverage to your individual requirements, it is recommended that you mow the lawn more often, with a higher cutting height and at an appropriate speed. Frequently turning the equipment on and off while mowing will also reduce the amount

of area that you can cover. If the operating time of the rechargeable batteries (area coverage) is still unsatisfactory in spite of the above measures, you can remedy the problem by using rechargeable batteries with a larger capacity (Ah).

How frequently you should mow your lawn is determined primarily by the speed at which the grass grows. In the main growing season (May - June) you will probably need to mow the lawn twice a week, otherwise just once a week. The cutting height should be between 1-½" - 2-¾" and the amount of growth before mowing again should be 1-½" - 2". If the grass is allowed to grow somewhat longer for whatever reason, do not make the mistake of cutting it back to the normal height in one go. This will harm the lawn. Never cut it back by more than half the height in one go.

Keep the underside of the mower housing clean and remove grass build-up. Deposits not only make it more difficult to start the mower; they decrease the quality of the cut and make it harder for the equipment to bag the grass.

Always mow along inclines (not up and down). You can prevent the lawn mower from slipping down by holding a position at an angle upwards.

Select the cutting height according to the length of the grass. Make several passes so that no more than 1-½" of grass are cut at one time.

Switch off the motor before doing any checks on the blade. Keep in mind that the blade continues to rotate for a few seconds after the motor has been switched off. Never attempt to manually stop the blade. Regularly check to see if the blade is securely attached, is in good condition and is sharp. If the contrary is the case, sharpen the blade or replace it. In the event that the blade strikes an object, immediately switch off the lawn mower and wait for the blade to come to a complete stop. Then inspect the condition of the blade and the blade mount. Replace any parts that are damaged.

As soon as grass clippings start to trail the lawn mower, it is time to empty the grass basket.

Important! Before taking off the grass basket, switch off the motor and wait until the blade has come to a stop.

To take off the grass basket, use one hand to lift up the chute flap and the other to grab onto the

basket handle. Remove the basket. For safety reasons, the chute flap automatically falls down after removing the grass basket and closes off the rear chute opening. If any grass remains in the opening, it will be easier to restart the engine if you pull the mower back approximately 3.2 feet (1m).

Do not use your hands or feet to remove clippings in or on the mower housing, but instead use suitable tools such as a brush or a hand broom. In order to ensure that the majority of grass clippings are picked up, the inside of the grass basket must be cleaned after each use.

Reattach the grass basket only when the motor is switched off and the blade has stopped.

Lift up the chute flap with one hand and, holding the grass basket by its handle with the other hand, hang in the basket from the top.

7. Cleaning and maintenance

Danger!

Pull the safety plug before carrying out any cleaning work (Fig. 11).

7.1 Cleaning

- Keep all safety devices, air vents and the motor housing free of dirt and dust as far as possible. Wipe the equipment with a clean cloth or blow it down with compressed air at low pressure.
- Do not clean the lawn mower with running water, particularly with high-pressure water.
- We recommend cleaning the equipment immediately each time after use.
- Clean the equipment regularly with a damp cloth and some soft soap. Do not use cleaning agents or solvents; these may be aggressive to the plastic parts in the equipment. Ensure that no water can get into the interior of the equipment. The ingress of water into an electric power tool increases the risk of an electric shock.
- For best results, clean the lawn mower with a brush or rag.

7.2 Maintenance

- Worn out or damaged blades, blade mounts, and bolts should be replaced as a set by an authorized professional in order to keep the

- equipment in balance.
- Ensure that all mounting components (i.e. screws, bolts, nuts, etc.) are always tightened so that the equipment can be safely operated at all times.
 - Frequently check the grass catch assembly for signs of wear.
 - Replace excessively worn or damaged parts immediately.
 - In order to ensure that you enjoy the equipment for many years to come, all screwed parts, as well as the wheels and axles, should be cleaned and lubricated.
 - Keeping your lawn mower in good condition not only ensures a long lifespan and high performance, but also enables the equipment to thoroughly cut your grass with minimal effort.
 - The blade is subjected to more wear and tear than any other component. Therefore, routinely check the condition of the blade and make sure that it is tightly fastened. If the blade is completely worn out, it must be immediately replaced or ground sharp again. An excessively vibrating mower means that the blade is not properly balanced or has become deformed from striking an object. In this case, the blade must be repaired or replaced.
 - There are no other parts inside the equipment which require maintenance.

7.3 Replacing the blade

For safety reasons, we recommend having the blade replaced by an authorized professional. Important! Wear work gloves! Only replace the blade with a genuine Einhell replacement blade, as this will ensure top performance and safety under all conditions.

Carry out the following steps to change the blade:

1. Undo the fastening screw (Fig. 12).
2. Remove the blade and replace with a new one.
3. When fitting the blade, make sure it is installed in the right direction. The blade air vanes must project into the motor compartment (Fig. 12). The dome mounts must be aligned with the punch holes in the blade.
4. Then retighten the fastening screw with a universal wrench (Fig. 12). The tightening torque should be approx. 18.4 ft./lbs (25 Nm).

At the end of the season, perform a general inspection of the lawn mower and remove any grass and dirt which may have accumulated. At the start of each season, ensure that you check the condition of the blade. If repairs are necessary, please contact our customer service center. Use only genuine spare parts.

Spare blade art. no.: 3405458

8. Disposal and recycling

The equipment is supplied in packaging to prevent it from being damaged in transit. The raw materials in this packaging can be reused or recycled. The equipment and its accessories are made of various types of material, such as metal and plastic. Never place defective equipment in your household refuse. The equipment should be taken to a suitable collection center for proper disposal. If you do not know the whereabouts of such a collection point, you should ask in your local council offices.

9. Storage and transport

Remove the rechargeable battery.

Store the equipment and its accessories out of children's reach in a dark and dry place at above freezing temperature. The ideal storage temperature is between 50°F and 104°F (10°C and 40°C). Keep the electric tool in its original packaging.

Transport

- Switch the machine off and isolate it from the power supply before transporting it.
- Fit the shipping protectors, if any.
- Protect the machine from damage and the strong vibrations that can occur particularly when transporting in vehicles.
- Secure the machine against slipping and tipping over.

The reprinting or reproduction by any other means, in whole or in part, of documentation and papers accompanying the products is strictly subject to the express consent of Einhell Germany AG.

Subject to technical changes.

10. Troubleshooting

Problem	Possible causes	Solution
Motor does not start or comes to a stop (loose connection).	<ul style="list-style-type: none"> a) The capacitor is defective. b) The mower is standing in high grass. c) The mower housing is clogged. d) Safety plug is not inserted. e) Battery is not correctly inserted. f) The connectors have become separated from the motor or the capacitor. 	<ul style="list-style-type: none"> a) Have repaired by service center. b) Start in low grass or on an area that has already been mowed; change the cutting height if necessary. c) Clean the housing so that the blade moves freely. d) Insert safety plug (see 6). e) Remove the battery and reinsert (see 5). f) Have repaired by service center.
The motor performance drops.	<ul style="list-style-type: none"> a) The grass is too high or too damp. b) The mower housing is clogged. c) The blade is severely worn. d) Battery performance decreasing. 	<ul style="list-style-type: none"> a) Correct the cutting height. b) Clean the housing. c) Replace the blade. d) Check the battery performance and charge the battery if necessary (see 5).
Cutting is irregular.	<ul style="list-style-type: none"> a) The blade is worn. b) Wrong cutting height. 	<ul style="list-style-type: none"> a) Replace or sharpen the blade. b) Correct the cutting height.

Notice! For protection, the motor is equipped with a thermal switch which cuts out when the motor is overloaded and switches on again automatically after a short cooling period.

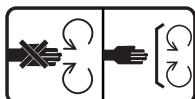
ÉVITEZ DES BLESSURES GRAVES ET LA MORT



Lisez le manuel d'utilisation. Traversez la pente, ne la montez pas ni ne la descendez pas. Ne tondez pas à proximité des enfants ou autres personnes.



Regardez en bas et en arrière avant et pendant le déplacement en reculant. Retirez les objets qui pourraient être projetés par la lame.



Maintenez en place et en état de opérationnels les dispositifs de sécurité (protections, boucliers, interrupteurs, etc.).



Procédez avec une grande prudence sur les pentes. Ne tondez pas les pentes supérieures à 15°.



Pour réduire le risque de choc électrique, n'exposez pas l'unité à l'eau et ne travaillez pas sur un sol humide.

- Débranchez du circuit d'alimentation avant d'ouvrir, nettoyer ou changer les accessoires.
- Pour réduire le risque de blessure, ne travaillez pas sans les protections montées.
- Pour réduire le risque de blessure, examinez souvent l'ensemble collecteur et le remplacez par une pièce de rechange recommandée en cas de signes d'usure ou de détérioration.
- Risque de coupure des orteils et des doigts par la lame de tondeuse rotative.
- Tenez à l'égard les spectateurs / enfants.

Retirez la batterie en cas de non-utilisation.



Entreposez les batteries uniquement dans des locaux avec une température ambiante entre 50 °F et 104 °F (+10 °C et +40 °C). N'entreposez que les batteries entièrement chargées (chargées au moins à 40 %).



Gardez vos distances !



Attention ! - Lames affûtées. Retirez la prise de sécurité avant tout travail de remise en état ou si le cordon d'alimentation est endommagé ! Les lames continuent à tourner après la mise hors service.



Protégez l'appareil contre la pluie et l'humidité.



À utiliser uniquement dans des endroits secs.

DANGER !

Lors de l'utilisation de l'équipement, vous devez observer un certain nombre de mesures de sécurité pour éviter des blessures et des dommages. Veuillez lire le mode d'emploi complet et les consignes de sécurité avec le soin nécessaire. Conservez votre mode d'emploi dans un endroit sûr pour y avoir accès en tout temps. Si vous transmettez l'équipement à un tiers, joignez-y impérativement le présent mode d'emploi et les consignes de sécurité. Nous déclinons toute responsabilité des dommages ou accidents dus au non-respect du présent mode d'emploi et les consignes de sécurité.

1. Consignes de sécurité

Avertissement : Pendant l'utilisation des tondeuses à gazon, respectez toujours les mesures de sécurité pour réduire le risque d'incendie, de choc électrique, y compris ce qui suit :

Avertissement : Il existe le risque de blessure si la tondeuse à gazon est utilisée sans ensemble collecteur.

Avertissement : L'utilisation de tout autre accessoire ou élément rapporté peut accroître le risque de blessure.

APPLICABLE À TOUTES LES TONDEUSES À GAZON

- Évitez tout environnement dangereux – N'utilisez pas les tondeuses à gazon dans des endroits humides ou mouillés.
- Ne les utilisez pas sous la pluie.
- Éloignez les enfants – Tous les visiteurs doivent être tenus à une distance suffisante de la zone de travail.
- Habillez-vous correctement – Ne portez pas de vêtements amples. Ils peuvent être happés par les pièces mobiles. L'utilisation des gants en caoutchouc et des chaussures est recommandée pour les travaux en plein air.
- Utilisez des lunettes de sécurité – Utilisez toujours un masque facial ou anti-poussière si l'utilisation génère de la poussière.
- Utilisez l'appareil approprié – N'utilisez pas la tondeuse à gazon dans un autre but que celui pour lequel elle a été conçue.
- Ne forcez pas la tondeuse à gazon – Elle fonctionne mieux et de façon plus sûre à la vitesse à laquelle elle est conçue.
- Ne vous penchez pas trop – Gardez une bonne position et l'équilibre à tout instant.

- Restez vigilant – Faites attention à ce que vous faites. Usez du bon sens. N'utilisez pas la tondeuse à gazon si vous êtes fatigué.
- Entreposez la tondeuse à gazon inactive à l'intérieur – Lorsqu'elle n'est pas utilisée. La tondeuse à gazon doit être entreposée à l'intérieur, au sec, hors de la portée des enfants.
- Entretenez la tondeuse à gazon avec soin – Affûtez et nettoyez les arrêtes tranchantes pour la meilleure performance et sécurité maximale. Suivez les instructions de lubrification et de remplacement des accessoires. Gardez les poignées sèches, propres et exemptes d'huile et de graisse.
- Gardez la protection en place et en état de marche.
- Gardez les lames bien affûtées.
- Gardez les mains et les pieds hors de la zone de coupe.
- Les objets heurtés par la lame de la tondeuse à gazon peuvent causer de graves blessures. Le gazon doit toujours être minutieusement examiné et débarrassé de tous les objets avant la tonte.
- Si la tondeuse à gazon heurte un corps étranger, suivez les étapes suivantes :
 - i) Arrêtez la tondeuse à gazon. Relâchez l'interrupteur.
 - ii) Vérifiez s'il y a des dommages.
 - iii) Réparez tous les dommages avant de redémarrer et utiliser la tondeuse à gazon.
- Utilisez uniquement des lames de rechange identiques.
- Empêchez tout démarrage non intentionnel. Assurez-vous que le bouton marche/arrêt est en position d'arrêt (Off) avant de brancher la batterie, de prendre et de transporter l'outil. Le transport de l'appareil avec le doigt sur le bouton marche/arrêt ou la mise sous tension des appareils électriques dont le bouton marche/arrêt est en position en marche (On) peuvent causer des accidents.
- Débranchez la batterie de l'appareil avant de procéder aux ajustements, de remplacer les accessoires ou de ranger l'appareil. De telles mesures préventives réduisent le risque de démarrage accidentel de l'appareil.
- Rechargez uniquement avec un chargeur spécifié par le fabricant. Un chargeur qui convient pour un type de batterie peut créer un risque d'incendie s'il est utilisé avec une autre batterie.
- Utilisez les appareils uniquement avec des batteries spécifiquement désignées. L'utilisation de tout autre batterie peut créer un risque

de blessure et d'incendie.

- Lorsque la batterie n'est pas utilisée, conservez-la à l'écart d'autres objets métalliques, comme les trombones, les pièces de monnaie, les clés, les clous, les vis ou autres petits objets métalliques qui pourraient créer une connexion entre les bornes. La mise en court-circuit des bornes de batteries peut causer des brûlures ou un incendie.
- Dans des conditions abusives, un liquide peut sortir de la batterie, évitez le contact. En cas de contact accidentel, rincez avec de l'eau. En cas de contact du liquide avec les yeux, consultez un médecin. Le liquide sorti de la batterie peut causer des irritations ou des brûlures. (Ce conseil est considéré comme juste pour les types de batteries conventionnels de NiMh, NiCd, plomb-acide et Lithium-ion. Si ce conseil est inapproprié pour une conception de cellule différentes de celle-ci, le conseil judicieux peut être appliqué.)
- N'utilisez pas une batterie ou un appareil endommagé ou modifié. Les batteries endommagées ou modifiées peuvent agir de manière imprévisible et donner lieu à un incendie, une explosion ou un risque de blessure.
- N'exposez pas une batterie ou un appareil au feu ou à une température excessive. Une exposition au feu ou à une température supérieure à 130°C (266°F) peut causer une explosion.
- Suivre toutes les instructions de charge et ne pas charger la batterie ou l'appareil en dehors de la gamme de température spécifiée dans les instructions. Un mauvais chargement ou un chargement à des températures en dehors de la gamme spécifiée peut endommager la batterie et augmenter les risques d'incendie.
- Confiez le service à un réparateur qualifié qui utilise uniquement les pièces de rechange identiques. Cela permettra de maintenir la sécurité du produit.
- Ne modifiez pas ni n'essayez pas de réparer l'appareil ou la batterie (si applicable), sauf exception indiquée dans les instructions d'utilisation et d'entretien.

1.) POUR TOUS LES APPAREILS SANS FIL

- Ne chargez pas l'appareil sous la pluie ou dans des locaux humides.
- N'utilisez pas les appareils à batterie sous la pluie. Retirez toujours la batterie avant l'ajustement, le nettoyage, le service ou le transport l'appareil de jardin.

2.) POUR TOUS LES PRODUITS SANS FIL AVEC UNE BATTERIE AMOVIBLE OU SÉPARABLE :

- Utilisez uniquement la batterie de type et de taille suivants :
18V 1,5Ah PXC batterie Li-ion
18V 2,0Ah PXC batterie Li-ion
18V 3,0Ah PXC batterie Li-ion
18V 4,0Ah PXC batterie Li-ion
18V 3,0Ah PXC Plus batterie Li-ion
18V 4,0Ah PXC Plus batterie Li-ion
18V 5,2Ah PXC Plus batterie Li-ion
18V 4,0Ah/6,0Ah PXC Plus batterie Li-ion
- Ne jetez pas la batterie dans le feu. La batterie peut exploser. Consultez les règlements locaux pour connaître les instructions d'élimination spécifiques possibles.
- N'ouvrez ni n'abîmez la batterie. L'électrolyte libéré est corrosif et peut être dangereux pour les yeux ou la peau. Il peut être toxique s'il est avalé.
- Manipulez la batterie avec précaution afin de ne pas la court-circuiter avec des matériaux conducteurs, tels que les bagues, les bracelets et les clés. La batterie ou le conducteur peuvent surchauffer et causer des brûlures.

3.) PRATIQUES DE PROTECTION POUR LES TONDEUSES À GAZON

Cette machine de coupe peut couper les mains et les pieds et projeter des objets. Le non-respect des consignes de sécurité suivantes peut entraîner des graves blessures ou la mort.

I. INFORMATION DE CARACTÈRE GÉNÉRAL

1. Lisez, comprenez et suivez toutes les instructions figurant sur la machine et dans le(s) mode(s) d'emploi avant le démarrage.
2. N'acceptez que les utilisateurs responsables, entraînés, familiarisés avec le mode d'emploi et capables physiquement d'utiliser la machine.
3. Ne transportez pas de passagers et tenez les observateurs à distance.
4. N'utilisez pas la machine sous l'emprise de l'alcool ou de drogues.
5. Suivez les recommandations du fabricant quant aux poids des roues ou contrepoids.

II. PRÉPARATION AVANT L'UTILISATION

1. Débarrassez la zone d'utilisation de tous les objets pouvant être projetés par la machine ou entrer en collision avec elle.
2. Éloignez tous les observateurs, en particulier de petits enfants, de la zone d'utilisation. Arrêtez la machine et les équipements si quelqu'un entre dans la zone.
3. N'utilisez pas la machine sans le collecteur d'herbe complet, le conduit de décharge ou d'autres dispositifs de sécurité en place et fonctionnant correctement. Vérifiez régulièrement la présence de signes d'usure ou de détérioration et remplacez-les si nécessaire.
4. Portez l'équipement de protection individuelle tel que les lunettes de protection, la protection auditive et les chaussures de protection.

III. UTILISATION

1. Utilisez la machine uniquement à la lumière du jour ou avec un bon éclairage artificiel.
2. Évitez les trous, les ornières, les bosses, les pierres et autres obstacles dissimulés. Un terrain accidenté peut renverser la machine ou faire perdre à l'opérateur son équilibre et appui.
3. Ne mettez pas vos mains ou pieds à côté des pièces en rotation ni sous la machine. Maintenez toujours l'ouverture de déchargement dégagée.
4. Ne dirigez les matières déchargées vers personne. Ne déchargez pas les matières contre un mur ou un obstacle. Les matières peuvent ricocher vers l'opérateur. Arrêtez la lame / les lames en traversant les surfaces de gravier.
5. Ne tondez pas en marche arrière sauf si cela est absolument nécessaire. Regardez toujours en bas et en arrière avant et pendant le déplacement en reculant.

IV. INFORMATIONS SPÉCIFIQUES AUX ENFANTS

1. Des accidents tragiques peuvent survenir si l'opérateur n'est pas vigilant à la présence des enfants. Les enfants sont souvent attirés par la machine et l'activité de tonte. Ne croyez jamais que les enfants vont rester à l'endroit où vous les avez vus pour la dernière fois.
2. Gardez les enfants hors de la zone d'utilisation et sous le regard attentif d'un adulte responsable autre que l'opérateur.
3. Soyez vigilant et éteignez la tondeuse si un enfant entre dans la zone.
4. Ne permettez jamais aux enfants d'utiliser la machine.

V. INFORMATIONS SPÉCIFIQUES AUX PENTES

Les pentes constituent l'un des principaux facteurs d'accidents.

L'utilisation sur les pentes exige une grande prudence.

1. Déplacez-vous dans le sens des pentes recommandé par le fabricant. Soyez prudent en passant à côté des tombants.
2. Évitez de tondre de l'herbe mouillée. (Un mauvais appui sur le sol peut provoquer un glissement et une chute).
3. N'utilisez la machine en aucun cas si la traction, la direction ou la stabilité sont mises en question. Les pneus peuvent glisser même si les roues sont arrêtées.
4. Laissez toujours la boîte de transmission embrayée lorsque vous descendez les pentes. Ne mettez pas la machine au point mort dans les descentes.
5. Évitez les démarrages et les arrêts sur les pentes. Évitez de changer brusquement de vitesse ou de direction. Tournez lentement et progressivement.
6. Soyez très prudent en utilisant la machine avec un collecteur d'herbe ou autres équipements. Ils peuvent affecter la stabilité de la machine.

VI. SERVICE

1. Gardez la machine en bon état de marche. Remplacez les pièces usées ou endommagées.
2. Soyez prudent en manipulant les lames. Enveloppez la lame / les lames ou portez des gants. Remplacez les lames endommagées. Ne réparez ni ne modifiez la lame / les lames.

AVERTISSEMENTS DE SÉCURITÉ GÉNÉRAUX POUR LA BATTERIE

- Éliminez la batterie usée vite et promptement. Lors de l'élimination des piles secondaires ou des batteries, gardez les piles ou les batteries de différents systèmes électrochimiques séparément les unes des autres.
- Gardez la batterie hors de portée des enfants dans l'emballage d'origine jusqu'à son utilisation.
- Ne mettez jamais les batteries dans la bouche. Si elles sont avalées, contactez immédiatement le centre antipoison local.
- CAUTION – La batterie utilisée dans cet appareil peut présenter un risque d'incendie ou de brûlure chimique en cas de mauvaise manipulation. Remplacez uniquement la batterie de marque principale Einhell. L'utilisation

d'une autre batterie peut présenter un risque d'incendie ou d'explosion.

- **AVERTISSEMENT** : N'utilisez pas une batterie ou un appareil visiblement endommagé.
- **AVERTISSEMENT** : Ne modifiez ni n'essayez de réparer l'appareil ou la batterie.
- **LES BATTERIES DOIVENT ÊTRE RECYCLÉES.**
- Ne pas court-circuiter une cellule ou une batterie. Ne conservez pas les piles ou les batteries au hasard dans une boîte ou un tiroir ou elles peuvent court-circuiter entre elles ou être court-circuitées par les matériaux conducteurs.
- N'exposez pas les piles ou les batteries aux chocs mécaniques.
- Gardez les piles et les batteries dans un endroit propre et sec. Essuyez les bornes des piles ou des batteries avec un linge propre et sec si elles deviennent sales.
- Ne gardez pas les piles et les batteries en charge si vous ne les utilisez pas.
- Conservez la pile et la batterie d'origine. N'utilisez pas d'autres chargeurs que ceux qui sont spécifiquement fournies pour être utilisés avec l'équipement. Les piles et les batteries secondaires doivent être chargés avant l'utilisation. Utilisez toujours le bon chargeur et référez-vous aux instructions du fabricant ou au mode d'emploi de l'équipement pour consulter les instructions de chargement correctes.
- Si possible, retirez la batterie de l'équipement lorsque vous ne l'utilisez pas.
- Dans des conditions abusives, un liquide peut sortir de la batterie, évitez le contact. En cas de contact accidentel, rincez avec de l'eau. En cas de contact du liquide avec les yeux, consultez un médecin. Le liquide sorti de la batterie peut causer des irritations ou des brûlures.
- Confiez le service à un réparateur qualifié qui utilise uniquement les pièces de rechange identiques. Cela permettra de maintenir la sécurité du produit.

CONSIGNES DE SÉCURITÉ IMPORTANTES POUR LE CHARGEUR

AVERTISSEMENT : Ce produit peut contenir du plomb, du phtalate ou autres produits chimiques reconnus par l'État de Californie comme cause de cancer, d'anomalies congénitales et de lésions de l'appareil reproducteur. Veuillez laver vos mains après l'utilisation.

Protection contre les influences de l'environnement

1. Portez une tenue de travail appropriée. Portez des lunettes de protection.
2. **Protégez votre appareil sans fil et le chargeur de l'humidité et de la pluie.** L'humidité et la pluie peuvent entraîner des dommages dangereux au niveau des cellules.
3. N'utilisez pas l'appareil sans fil et le chargeur à proximité de vapeurs et de liquides combustibles.
4. Utilisez le chargeur et les appareils sans fil uniquement à l'état sec et avec une température ambiante de 10-40°C.
5. Ne conservez pas la batterie dans un endroit dont la température peut atteindre plus de 40°C, tout particulièrement dans une voiture garée au soleil.
6. **Protégez les batteries de la surchauffe !** Toute surcharge ou ensoleillement conduit à une surchauffe et à un endommagement des cellules. Ne chargez et ne travaillez jamais avec des batteries surchauffées – remplacez-les immédiatement.
7. **Entreposage des batteries, des chargeurs et de l'appareil sans fil.** Entrepochez le chargeur et votre appareil sans fil uniquement dans des salles sèches avec une température ambiante de 10-40°C. Entrepochez la batterie au Lithium-Ion dans un endroit frais et sec entre 10-20°C. Protégez-la de l'humidité de l'air et des rayons du soleil ! Entrepochez uniquement les batteries chargées (charge minimum 40%).
8. Évitez que la batterie au Lithium-Ion gèle. Mettez au rebut les batteries qui ont été entrepochées pendant plus de 60 minutes à une température inférieure à 0°C.
9. Faites attention à la charge électrostatique lors du maniement des batteries : les décharges électrostatiques endommagent le système électronique de protection et les cellules de la batterie ! Évitez par conséquent la charge électrostatique et ne touchez jamais les pôles de la batterie !

Consignes de sécurité spécifiques

- Lisez attentivement le mode d'emploi. Familiarisez-vous avec les commandes d'opérateur et le fonctionnement correct de la machine.
- Ne permettez jamais aux enfants ou d'autres personnes qui ne sont pas familiarisées avec le mode d'emploi d'utiliser l'équipement. Contactez votre organisme gouvernemental

local pour vous informer sur les exigences en matière d'âge minimal requis.

- Ne travaillez jamais à proximité immédiate d'autres personnes, particulièrement des enfants, ou des animaux.
- Gardez toujours à l'esprit que l'opérateur ou l'utilisateur de la machine est responsable des accidents impliquant d'autres personnes et / ou leur propriété.

Mesures préliminaires

- Portez toujours des chaussures robustes et antidérapantes et un pantalon long lors de l'utilisation de la machine. N'utilisez jamais la machine pieds nus ou en sandales.
- Examinez toute la surface sur laquelle la machine sera utilisée et enlevez tous les objets qui pourraient être pris et projetés par elle avec violence.
- Effectuez toujours un contrôle visuel des outils pour détecter une usure excessive ou des endommagements avant d'utiliser la machine. Pour empêcher tout déséquilibre, remplacez les pièces usées ou endommagées et les boulons de fixation ensemble uniquement.
- Assurez-vous que tous les écrous, boulons et vis sont bien serrés et que la machine est en bon état de marche.

Consignes de sécurité pour la tondeuse manuelle

- Vérifiez toujours si la machine présente des dommages avant de l'utiliser. Les réparations ne doivent être réalisées que par notre atelier. Si des vibrations inhabituelles se produisent pendant l'utilisation, éteignez la machine immédiatement et débranchez la prise de sécurité. Vérifiez les lames et nettoyez-les si nécessaire. Si l'équipement continue de vibrer, éteignez-le, débranchez la prise de sécurité et envoyez-le à notre atelier.
- La machine ne doit pas être inclinée lors de son démarrage. Posez impérativement les deux mains sur la poignée en démarrant la machine.
- Les pièces usées ne peuvent être remplacées que par notre atelier. Si nécessaire, contactez le centre de service le plus proche.

AVERTISSEMENTS :

- Ne touchez pas les lames avant d'avoir débranché la batterie de la machine et l'arrêt complet des lames ;
- Coupez la connexion avec la batterie rechargeable (autrement dit, retirez la prise de

sécurité) :

- si vous laissez l'équipement sans surveillance ;
- avant de dégager une lame bloquée ;
- avant d'effectuer les vérifications, le nettoyage ou autres travaux sur l'équipement ;
- si un corps étranger a été heurté ;
- si la machine commence à vibrer bizarrement.
- Lisez attentivement les instructions d'utilisation de la machine en toute sécurité.

Maniement

- Tondez uniquement en plein jour ou avec un bon éclairage.
- N'utilisez pas la machine sur l'herbe mouillée.
- Gardez toujours un bon appui sur les pentes.
- Utilisez la machine uniquement au pas.
- Tondez toujours à travers la pente, c.-à-d. jamais vers le haut ou vers le bas.
- Soyez particulièrement attentif en changeant de direction sur une pente.
- Ne tondez pas sur des pentes trop raides.
- Soyez toujours très prudent lorsque vous faites demi-tour avec la tondeuse et en la tirant vers vous.
- Éteignez la tondeuse, retirez la prise de sécurité et attendez que les lames s'arrêtent complètement si vous avez besoin de renverser la tondeuse, la transporter au-dessus des surfaces autres que l'herbe et si la tondeuse doit être transportée entre les surfaces que vous souhaitez tondre.
- N'utilisez jamais la tondeuse à gazon si les protections sont endommagées ou ne sont pas montées, p. ex. les déflecteurs et / ou des dispositifs de collection d'herbe.
- Utilisez l'interrupteur marche/arrêt prudemment comme il est décrit dans les instructions du fabricant. Assurez-vous que vos pieds sont suffisamment éloignés de la lame de la tondeuse !
- La tondeuse à gazon ne devrait pas être inclinée lorsque le moteur est allumé sauf si elle doit être élevée aux fins de démarrage. Dans ce cas, inclinez-la le moins possible et soulevez uniquement le côté opposé à l'utilisateur.
- N'allumez pas la tondeuse si vous vous trouvez face au déchargement.
- Ne déplacez jamais vos mains ou vos pieds vers ou sous les pièces en rotation. Maintenez toujours l'ouverture de déchargement dégagée.
- Ne soulevez ni ne transportez jamais une tondeuse à gazon lorsque le moteur tourne.

- p) Coupez le moteur et retirez la prise de sécurité. Assurez-vous que toutes les pièces en mouvement se sont arrêtées complètement.
- avant de déboucher les blocages ou obstructions dans le déchargement.
 - avant d'effectuer les vérifications, le nettoyage, l'entretien ou d'autres travaux sur la tondeuse à gazon.
 - si vous avez heurté un corps étranger.
- Examinez la tondeuse sur la présence de dommages et réalisez toutes les réparations nécessaires avant de redémarrer et de poursuivre la tonte.
- si la tondeuse à gazon commence à produire des vibrations exceptionnellement fortes, éteignez-la immédiatement et examinez-la.
- q) Éteignez la tondeuse, retirez la prise de sécurité et assurez-vous que toutes les pièces en mouvement se sont arrêtées complètement.

Entretien et entreposage

- a) Assurez-vous que tous les écrous, boulons et vis sont bien serrés et que la machine est en bon état de marche.
- b) Laissez la tondeuse se refroidir avant de la déposer dans un endroit fermé.
- c) Pour éviter le risque d'incendie, gardez le carter de moteur et les fentes de ventilation dégagées d'herbe, de feuilles, d'huile et de graisse.
- d) Vérifiez systématiquement le bac de collection pour présence de signes d'usure et le fonctionnement défaillant.
- e) Pour votre propre sécurité, remplacez immédiatement les pièces usées ou endommagées.
- f) Prenez soin de ne pas vous faire coincer les doigts entre les lames en mouvement et les pièces fixes de l'équipement en l'ajustant.
- g) Pendant l'entretien des lames, n'oubliez pas qu'elles peuvent encore bouger même si la source d'énergie a été coupée.

CONSERVEZ LE PRÉSENT MODE D'EMPLOI

2. Description de l'appareil et contenu de l'emballage

2.1 Description de l'appareil

1. Étrier de commande
2. Guidon supérieur
3. Prise de sécurité

4. Poignée
5. Réglage central de la hauteur de coupe
6. Clapet d'éjection
7. Panier collecteur d'herbe
8. Guidon inférieur gauche
9. Guidon inférieur droit
10. Vis de fixation pour le guidon inférieur (2x)
11. Vis pour guidon supérieur avec dispositif de serrage rapide (2x)
12. Rondelles (4x)
13. Brides de fixation de câble (3x)
14. Indicateur de niveau de remplissage
15. Clapet de recouvrement
16. Verrouillage de la mise en marche
17. Batteries
18. Touche d'enclenchement
19. Témoin de charge de la batterie
20. Bouton de témoin de charge de la batterie

2.2 Contenu d'emballage

Veillez contrôler l'intégralité de l'article au moyen du contenu d'emballage décrit. En cas de pièces manquantes, veuillez contacter notre centre de service à la clientèle ou le point de vente où vous avez acheté l'appareil au plus tard dans les 5 jours ouvrables à compter de l'achat de l'article en présentant un ticket de caisse valable.

- Ouvrez l'emballage et retirez prudemment l'appareil.
- Enlevez le matériau d'emballage ainsi que les sécurités d'emballage et de transport (le cas échéant).
- Vérifiez l'intégralité du contenu d'emballage.
- Vérifiez si l'appareil et les accessoires présentent des dommages dus au transport.
- Si possible, conservez l'emballage jusqu'à l'expiration de la durée de garantie.

Danger !

L'appareil et le matériau d'emballage ne sont pas un jouet ! Les enfants ne doivent pas jouer avec des sachets en plastique, des films ou de petites pièces ! Il existe le risque d'ingestion et de suffocation !

- Tondeuse à gazon sans fil
- Mode d'emploi d'origine avec consignes de sécurité

Accessoires disponibles séparément

18V 1,5Ah PXC batterie Lithium-Ion
 18V 2,0Ah PXC batterie Lithium-Ion
 18V 3,0Ah PXC batterie Lithium-Ion
 18V 4,0Ah PXC batterie Lithium-Ion
 18V 3,0Ah PXC Plus batterie Lithium-Ion
 18V 4,0Ah PXC Plus batterie Lithium-Ion
 18V 5,2Ah PXC Plus batterie Lithium-Ion
 18V 4,0Ah/6,0Ah PXC Plus batterie Lithium-Ion
 18V PXC chargeur rapide

Contactez votre détaillant pour les modèles plus spécifiques de batteries et de chargeurs disponibles dans votre région. Vous pouvez également explorer les options de batterie + chargeur sur Einhell.com.

3. Utilisation conforme

La tondeuse à gazon convient à l'utilisation privée dans des jardins domestiques et de loisirs.

Elles sont considérées comme tondeuses à gazon pour les jardins domestiques et de loisirs celles dont l'utilisation annuelle ne dépasse pas 50 heures et qui sont utilisées surtout pour l'entretien de surfaces d'herbe ou de gazon. Elles ne sont pas pour l'utilisation dans les installations publiques, les parcs, les terrains de sports ainsi que dans l'agriculture et les exploitations forestières.

Attention ! À cause du danger physique d'utilisation, la tondeuse à gazon ne doit pas être utilisée pour débroussailler les buissons, les haies et les bouquets, pour couper et broyer des plantes grim-pantes ou de gazon sur un toit ou dans des jardinières ni pour nettoyer (aspirer) les chemins et comme hacheur pour réduire des sections d'arbres et de haies. De plus la tondeuse à gazon ne doit pas être utilisée comme motobèche ni pour égaliser des bosses du sol, comme par exemple des taupinières.


Pour des raisons de sécurité, la tondeuse à gazon ne doit pas être utilisée comme groupe d'entraînement pour d'autres outils d'autres types, à moins que ce ne soit permis par le fabricant.

La machine ne doit être utilisée que conformément à sa destination. Toute autre utilisation dépassant ce cadre n'est pas conforme. C'est l'utilisateur / l'opérateur qui est responsable de

tous les dommages ou blessures de toute nature en résultant et non pas le fabricant.

Veuillez noter que nos appareils n'ont pas été conçus pour une utilisation commerciale, artisanale ou industrielle. Nous n'accordons aucune garantie si l'appareil est utilisé dans des entreprises commerciales, artisanales ou industrielles ou pour des activités équivalentes.

4. Caractéristiques techniques

Alimentation en tension moteur:..... 18V 
 Vitesse du moteur: 3400 tr/min (min⁻¹)
 Type de protection: IPX1
 Largeur de coupe: 33 cm (13")
 Capacité du bac de collection: 30l (8 gal)
 Réglage de la hauteur de la coupe:
 25-65 mm (1" à 2-1/2"); 5 niveaux
 Poids (outil seulement): 10,2 kg (22,5 lb)

Limitez à un minimum l'émission de bruit et les vibrations !

- Utilisez uniquement des appareils irréprochables.
- Entretenez et nettoyez l'appareil régulièrement.
- Adaptez votre méthode de travail à l'appareil.
- Ne surchargez pas l'appareil.
- Faites examiner l'appareil le cas échéant.
- Éteignez l'appareil lorsqu'il n'est plus utilisé.
- Portez des gants.

Attention !**Risques résiduels**

Il existe toujours des risques même si vous servez correctement de cet outil électrique. Les risques suivants peuvent se produire en rapport avec la structure et la réalisation de cet outil électrique :

1. Lésions pulmonaires, si vous ne portez pas de masque anti-poussières approprié.
2. Lésions auditives, si vous ne portez pas de protection auditive appropriée.
3. Dommages pour la santé résultant des vibrations mains-bras, si votre appareil est utilisé d'une manière prolongée ou tenu et entretenu de manière incorrecte.

Avvertissement !

Cet appareil produit un champ électromagnétique pendant son fonctionnement. Dans certaines conditions, ce champ peut altérer

le fonctionnement d'implants médicaux actifs ou passifs. Afin de réduire les risques de blessures graves ou mortelles, nous recommandons aux personnes qui possèdent un implant médical de consulter leur cabinet médical et leur fabricant d'implants médicaux avant d'utiliser la machine.

5. Avant la mise en marche

La tondeuse à gazon est livrée en partie montée. Le guidon et le bac de collection doivent être montés avant l'utilisation de la tondeuse à gazon. Suivez les instructions d'utilisation étape par étape et référez-vous aux images lors de l'assemblage.

Remarque ! Les pièces de montage nécessaires (vis, guide-câble, etc.) ou les pièces fonctionnelles (par ex. prise, clé, etc.) se trouvent dans les parties moulées de l'emballage ou au niveau de l'appareil.

Avertissement ! Enlevez systématiquement la prise de sécurité avant d'effectuer des réglages sur l'équipement.

Montage du guidon (fig. 3-5)

Les guidons inférieurs droit (figure 3/pos. 9) et gauche (figure 3/pos. 8) doivent être fixés sur le carter de la tondeuse en premier et au moyen des vis de fixation et rondelles (figure 3/pos. 10,12). Le guidon supérieur doit être ensuite enfoncé sur le guidon inférieur et fixé à l'aide des vis et rondelles (figure 4/pos. 11,12). Pour ce faire, les guidons inférieurs comportent respectivement 2 trous différents afin d'adapter la hauteur du guidon à l'utilisateur. Pour finir, fixez le câble de raccordement au guidon à l'aide des fixations pour câbles (fig. 5/pos. 13).

Montage du bac de collection (figure 6)

Pour accrocher le bac de collection, le moteur doit être arrêté et la lame ne doit pas tourner. Soulevez d'une main le clapet d'éjection (figure 6/pos. 6). De l'autre main, tenez le bac de collection par la poignée et accrochez-le par le haut (figure 6).

Indicateur de niveau de remplissage du bac de collection

Le bac de collection dispose d'un indicateur de niveau de remplissage (figure 1/pos. 14). Celui-ci

est ouvert par le courant d'air que provoque la tondeuse en fonctionnement. Si le clapet se referme pendant la tonte, le bac de collection est plein et il devrait être vidé. Pour un bon fonctionnement de l'indicateur de niveau de remplissage, les trous sous le clapet doivent être toujours propres et débouchés.

Réglage de la hauteur de coupe

Attention !

Le réglage de la hauteur de coupe peut seulement être entrepris lorsque le moteur est arrêté et la prise de sécurité enlevée.

Le réglage de la hauteur de coupe doit être effectué de la manière suivante (figure 7) :

1. Abaissez le levier (5).
2. Placez le levier (5) à la hauteur de coupe souhaitée.
3. Relâchez le levier (5) et vérifiez qu'il est bien bloqué dans le dispositif d'arrêt.

Lecture de la hauteur de coupe

La hauteur de coupe peut être réglée de 25 à 65 mm (1" à 2-1/2") en 5 niveaux et peut être lue sur la graduation.

Avant de commencer à tondre, vérifiez que l'outil de coupe n'est pas émoussé et que vos moyens de fixation ne sont pas endommagés. Remplacez les outils de coupe émoussés ou endommagés afin qu'aucun déséquilibre ne se produise. Pour ce contrôle, arrêtez le moteur et débranchez la prise de sécurité.

5.1 Chargement de la batterie au Lithium-Ion

Vous trouverez les instructions correspondantes dans le mode d'emploi d'origine de votre chargeur.

5.2 Affichage de la capacité de la batterie (fig. 8)

Appuyez sur l'interrupteur de l'affichage de la capacité de la batterie (20). L'affichage de la capacité de la batterie (19) signale l'état de charge de la batterie au moyen de 3 DEL.

Les 3 DEL s'allument:

La batterie est complètement chargée.

2 ou 1 DEL s'allument:

La batterie a une charge résiduelle suffisante.

1 DEL clignote:

La batterie est déchargée, chargez la batterie.

Tous les voyants clignent :

La température de la batterie est trop basse. Retirez la batterie de l'appareil, laissez-la à température ambiante pendant une journée. Si le défaut se reproduit, cela signifie que la batterie rechargeable a subi une décharge complète et est défectueuse. Retirez la batterie de l'équipement. N'utilisez ou ne chargez jamais une batterie défectueuse.

Montage de la batterie (fig. 9)**Remarque :**

- Le clapet de recouvrement se ferme automatiquement et est maintenu fermé par des aimants.

Ouvrez et tenez le clapet de recouvrement (15). Insérez la batterie dans le logement prévu à cet effet. Veillez à l'encliquetage de la touche à cran (18) dès que la batterie est entièrement insérée. Le démontage de la batterie s'effectue dans l'ordre inverse.

6. Utilisation**Prudence !**

La tondeuse est équipée d'un circuit de sécurité afin d'empêcher une utilisation non autorisée. Juste avant la mise en service de la tondeuse, insérer la prise de sécurité (fig. 11/pos. 3) et la retirer à chaque interruption ou après avoir terminé le travail.

Attention !

Afin d'empêcher un démarrage involontaire, la tondeuse est équipée d'un verrouillage (figure 10/pos. 16) sur lequel on doit appuyer avant de pouvoir activer les touches de commutation (figure 10/pos. 1). Lorsqu'on relâche les touches de commutation, la tondeuse s'éteint. Répétez cette opération plusieurs fois afin de vous assurer que l'appareil fonctionne correctement. Avant de procéder à des réparations ou des travaux de maintenance sur l'appareil, vous devez vous assurer que la lame ne tourne pas et que la prise de sécurité est débranchée.

Avertissement ! N'ouvrez jamais le clapet d'éjection lorsque le bac de collection est en train d'être vidé et que le moteur est encore

en marche. Une lame en marche peut provoquer des blessures.

Fixez toujours soigneusement le clapet d'éjection ou le bac de collection. Éteignez le moteur avant de les enlever.

Veillez toujours respecter la distance de sécurité induite par le manche entre le boîtier de la lame et l'utilisateur. Soyez particulièrement prudent lorsque vous tondez ou changez de direction à proximité de bosquets ou sur une pente. Veillez à être bien stable, portez des chaussures antidérapantes et adhérentes et un pantalon.

Tondez toujours en position perpendiculaire à la pente. Pour des raisons de sécurité, il est interdit de tondre sur des pentes de plus de 15%.

Soyez particulièrement prudent quand vous reculez et quand vous tirez la tondeuse. Risque de trébucher !

Recommandations pour bien tondre

Pour la tonte, nous conseillons d'adopter le principe du chevauchement.

Ne tondre qu'avec des lames aiguisées et en bon état afin que les brins d'herbe ne s'effilochent pas et n'entraînent pas un jaunissement du gazon. Afin d'obtenir une coupe propre, tondez toujours en bandes aussi droites que possible. Ce faisant, faites en sorte que les bandes se chevauchent de quelques centimètres, pour qu'il n'y ait pas de traces.

La durée de fonctionnement de la batterie, et donc le rendement surfacique en mètres carré possible avec une charge de batterie, dépend en grande partie des caractéristiques du gazon (par ex. densité, humidité, longueur, hauteur de coupe) et de la vitesse de tonte (au pas). Pour adapter le rendement surfacique, il est recommandé de tondre le gazon plus souvent, à une hauteur de coupe plus élevée et à une vitesse adaptée. Allumer et éteindre fréquemment l'appareil pendant la tonte, diminue également le rendement surfacique. Si la durée de fonctionnement la batterie (rendement surfacique) devait ne pas être satisfaisante malgré les mesures ci-dessus, des batteries de capacité plus importante (Ah) peuvent être une solution.

La fréquence de la tonte dépend principalement de la vitesse de pousse du gazon. Pendant la période de croissance principale (mai-juin), deux

fois par semaine, sinon une fois par semaine. La hauteur de coupe doit se situer entre 4-6 cm (1-1/2"-2-3/8") et la croissance devrait atteindre 4-5 cm (1-1/2"-2") avant la prochaine tonte. Si le gazon a dépassé la hauteur de coupe, ne faites pas l'erreur de le tondre tout de suite à la hauteur normale. Cela abîme le gazon. Ne tondez jamais plus que la moitié de la hauteur du gazon. Maintenez le dessous de la tondeuse propre et enlevez obligatoirement les dépôts de gazon. Les dépôts rendent le démarrage difficile, altèrent la qualité de la coupe et gêne l'éjection de l'herbe. Sur les pentes, il faut tondre en position perpendiculaire à la pente. Pour éviter un glissement de la tondeuse, il faut l'orienter vers le haut.

Choisissez la hauteur de coupe selon la hauteur effective du gazon. Faites plusieurs passages afin de ne couper qu'au maximum 4 cm (1-1/2") de gazon à la fois.

Avant d'effectuer toute vérification de la lame, éteignez le moteur. Pensez que la lame continue de tourner encore quelques minutes après que le moteur ait été éteint. N'essayez jamais d'arrêter la lame. Vérifiez régulièrement que la lame est bien fixée, en bon état et bien affûtée. Dans le cas contraire, aiguissez-la ou remplacez-la. Si la lame heurte un objet alors qu'elle est en marche, arrêtez la tondeuse et attendez que la lame soit complètement immobile. Vérifiez ensuite l'état de la lame et du support de lame. Si ceux-ci sont endommagés, il faut les remplacer.

Dès que des restes d'herbe s'accumulent sur le gazon pendant la tonte, il faut vider le bac de collection. Attention ! Avant d'enlever le bac de collection, éteignez le moteur et attendez l'arrêt complet de la lame.

Pour enlever le bac de collection, soulevez d'une main le clapet d'éjection, de l'autre main retirez le bac de collection en l'attrapant par la poignée. Conformément aux normes de sécurité, lorsque le bac de collection est enlevé, le clapet d'éjection se ferme et bloque l'orifice d'éjection arrière. Si, ce faisant des restes d'herbe restent accrochés dans l'ouverture, il est nécessaire de reculer la tondeuse d'environ 1 m (3,2 pi.) afin de faciliter le redémarrage du moteur.

Éliminez les résidus de coupe dans le carter et sur les outils de travail à l'aide d'instruments adaptés, par ex. une brosse ou une balayette plutôt qu'avec les mains ou les pieds.

Pour garantir un bon ramassage, l'intérieur du bac de collection doit être nettoyé après utilisation.

Accrochez le bac de collection uniquement lorsque le moteur est éteint et l'outil de coupe arrêté.

Soulevez le clapet d'éjection d'une main et de l'autre, tenir le bac de collection par la poignée et l'accrochez en partant d'en haut.

7. Nettoyage et entretien

Danger !

Retirez la prise de sécurité avant tous travaux de nettoyage (fig. 11).

7.1 Nettoyage

- Maintenez les dispositifs de protection, les fentes d'aération et les carters de moteur aussi exempt de poussières et de saletés que possible. Frottez l'appareil avec un linge propre et nettoyez-le à l'air comprimé à basse pression.
- La tondeuse à gazon ne doit pas être nettoyée à l'eau courante, en particulier pas sous haute pression.
- Nous recommandons de nettoyer l'appareil directement après chaque utilisation.
- Nettoyez l'appareil régulièrement avec un linge humide et un peu de savon doux. N'utilisez pas de détergeant ni de solvants ; ils peuvent détériorer les éléments en plastique de l'appareil. Veillez à ce que l'eau ne puisse pas pénétrer à l'intérieur de l'appareil. La pénétration de l'eau dans un appareil électrique augmente le risque d'une électrocution.
- Nettoyez si possible la tondeuse à gazon avec une brosse ou des chiffons.

7.2 Maintenance

- La lame, porte-lame et écrous usés ou endommagés sont à changer par jeux entiers par un(e) spécialiste, pour garantir la stabilité de l'appareil.
- Veillez à ce que tous les éléments de fixation (vis, écrous, etc.) soient toujours bien vissés, afin de pouvoir utiliser la tondeuse à gazon en toute sécurité.
- Vérifiez, les apparitions d'usure sur le système de récupération d'herbe.
- Remplacez les pièces usées ou endommagées.

- Pour obtenir une longue durée de vie, toutes les pièces vissées et les roues et essieux doivent être nettoyés et ensuite huilés.
- Seulement un soin régulier de la tondeuse à gazon lui assure solidité et performance dans le temps, mais surtout vous assure une tonte facile et sans souci de votre gazon.
- La pièce qui s'use le plus est la lame. Vérifiez régulièrement l'état de la lame tout comme sa fixation. Si la lame est usée, elle doit être changée ou aiguisée tout de suite. Si des vibrations anormales de la tondeuse à gazon se produisent, ceci signifie que la lame n'est pas correctement équilibrée ou a été déformée par un choc. Dans ce cas, il faut la réparer ou la changer.
- L'intérieur de l'appareil ne contient pas de pièces exigeant un entretien.

7.3 Remplacement de la lame

Pour des raisons de sécurité, nous conseillons de faire effectuer le remplacement de la lame par une entreprise spécialisée dûment autorisée. Attention ! Portez des gants de travail ! Utilisez exclusivement une lame d'origine, sinon le fonctionnement et la sécurité ne sont pas garantis le cas échéant.

Pour le remplacement de la lame veuillez procéder comme suit :

1. Desserrez la vis de fixation (figure 12).
2. Retirez la lame et remplacez-la par une neuve.
3. Pour la pose d'une lame neuve, veillez au sens de montage de la lame. Les ailettes de la lame doivent se dresser dans le carter moteur (figure 12). Les logements de coupelles doivent concorder avec les poinçonnages de la lame.
4. Ensuite, resserrez la vis de fixation à l'aide d'une clé universelle (figure 12). Le couple de serrage doit être env. de 25 Nm (18.4 pi./lb).

En fin de saison, effectuez une vérification générale de la tondeuse à gazon et retirez tous les dépôts accumulés. Avant tout début de saison, vérifiez absolument l'état de la lame. Pour les réparations, adressez-vous à votre centre de service. Utilisez exclusivement des pièces d'origine.

Lame de rechange no. d'art. 3405458

8. Élimination et recyclage

L'appareil se trouve dans un emballage pour empêcher les dommages dus au transport. Cet emballage constitue une matière première et peut par conséquent est réutilisé ou peut être recyclé. L'appareil et ses accessoires sont fabriqués à partir de différents produits, comme par exemple le métal et les matières plastiques. Ne jetez pas les appareils défectueux dans les déchets ménagers. Pour être éliminé de façon appropriée, l'appareil devrait être déposé à un lieu de collecte approprié. Si vous ne connaissez aucun lieu de collecte, informez-vous auprès de l'administration municipale.

9. Entreposage et transport

Retirez la batterie.

Entreposez l'appareil et ses accessoires dans un endroit sombre, sec et exempt de gel ainsi que hors la portée des enfants. La température d'entreposage optimale se situe entre 10 °C et 40 °C (50 °F et 104 °F). Entreposez l'outil électrique dans l'emballage d'origine.

Transport

- Éteignez l'appareil et débranchez les batteries avant de le transporter.
- Installez des dispositifs de protection de transport, si existants.
- Protégez l'appareil contre les chocs et les vibrations importantes qui surviennent en particulier lors du transport dans des véhicules.
- Protégez l'appareil contre tout glissement et basculement.

Une réimpression ou toute autre reproduction de la documentation et des documents accompagnant les produits, même par extraits, ne sont autorisées qu'avec accord exprès d'Einhell Germany AG.

Sous réserve des modifications techniques.

10. Guide de dépannage

Problème	Causes probables	Solution
Le moteur ne démarre pas ou s'interrompt (mauvais contact).	<ul style="list-style-type: none"> a) Condensateur défectueux. b) L'appareil est dans herbe haute. c) Carter bouché. d) La prise de sécurité n'est pas branchée. e) Une batterie n'est pas bien branchée. f) Raccordements sur le moteur ou condensateur détachés. 	<ul style="list-style-type: none"> a) Faites-le vérifier par un centre de service. b) Démarrez sur l'herbe basse ou sur une surface déjà tondue; modifiez éventuellement la hauteur de coupe. c) Nettoyez le carter pour que la lame tourne librement. d) Branchez la prise de sécurité (Voir 6). e) Enlevez la batterie et la branchez à nouveau (Voir 5). f) Faites-le vérifier par un centre de service.
Puissance du moteur baisse.	<ul style="list-style-type: none"> a) Herbe trop haute ou trop humide. b) Carter de tondeuse bouché. c) Lame très usée. d) Capacité de charge des batteries en baisse. 	<ul style="list-style-type: none"> a) Corrigez la hauteur de coupe. b) Nettoyez le carter. c) Changez la lame. d) Vérifiez la capacité de charge des batteries et les chargées le cas échéant (Voir 5).
Coupe non propre.	<ul style="list-style-type: none"> a) Lame usée. b) Hauteur de coupe incorrecte. 	<ul style="list-style-type: none"> a) Changez la lame ou l'aiguiser. b) Corrigez la hauteur de coupe.

Remarque ! Le moteur est équipé d'un interrupteur thermique destiné à le ménager. Quand celui-ci est en surchauffe, il s'arrête pour redémarrer automatiquement après une courte phase de refroidissement !

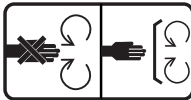
EVITAR LESIONES GRAVES O FATALES



Leer el manual de servicio. Moverse por las pendientes de manera transversal, no de arriba a abajo. No cortar el césped cuando haya niños u otras personas en las inmediaciones.



Mirar hacia abajo y atrás antes y mientras se va marcha atrás. Retirar los objetos que puedan salir disparados por culpa de la cuchilla.



Mantener los dispositivos de seguridad (dispositivos de protección, cubiertas, interruptores, etc.) en su lugar y funcionando.



Prestar especial atención en las pendientes. No cortar pendientes con una inclinación superior a 15°.



Para reducir el riesgo de descarga eléctrica, no exponer la unidad al agua ni ponerla en funcionamiento sobre el suelo mojado.

- Desconectar del circuito de alimentación antes de abrir, limpiar o cambiar los accesorios.
- Para reducir el riesgo de sufrir lesiones, no operar sin los dispositivos de protección montados.
- Para reducir el riesgo de sufrir lesiones, inspeccionar periódicamente el dispositivo de recogida y sustituirlo por el recambio recomendado si hay signos de desgaste o deterioro.
- Peligro para dedos o pies - cuchilla de cortacésped giratoria.
- Mantener alejados a terceros/niños.

Retirar la batería cuando no se utilice.



Guardar las baterías solo en habitaciones secas con una temperatura ambiente de 50°F a 104°F (+10°C a +40°C). Almacenar solo baterías completamente cargadas (con una carga mínima del 40%).



Mantenerse alejado.



¡Cuidado! - Cuchilla de corte afilada - Desenchufar el enchufe de seguridad antes de realizar trabajos de mantenimiento ¡La cuchilla sigue girando tras apagar el motor!



Proteger el aparato de la lluvia y la humedad.



Utilizar únicamente en espacios secos.

¡PELIGRO!

Al usar el equipo es preciso tener en cuenta una serie de medidas de seguridad para evitar lesiones o daños. Es preciso leer atentamente este manual de instrucciones y las instrucciones de seguridad. Guardar este manual de instrucciones en un lugar seguro de manera que la información se pueda consultar en cualquier momento. En caso de entregar el equipo a terceras personas, será preciso entregarles, asimismo, el manual de instrucciones y las instrucciones de seguridad. No nos hacemos responsables de accidentes o daños provocados por no tener en cuenta este manual ni las instrucciones de seguridad.

1. Instrucciones de seguridad

Advertencia: Cuando se utilizan cortacéspedes eléctricos, siempre se deben seguir las precauciones básicas de seguridad para reducir el riesgo de descarga eléctrica en caso de incendio, entre las que se incluyen las siguientes:

Advertencia: Puede haber riesgo de lesiones si se utiliza el cortacésped sin el dispositivo de recogida.

Advertencia: El uso de cualquier otro accesorio podría aumentar el riesgo de lesiones.

PARA TODOS LOS CORTACÉSPEDES

- Evitar ambientes peligrosos: no utilizar los cortacéspedes en lugares húmedos o mojados.
- No usar bajo la lluvia.
- Mantener a los niños alejados: todos los visitantes deben mantenerse a una distancia segura del área de trabajo.
- Vestirse adecuadamente: no llevar ropa holgada. Podrían quedarse atrapadas en las piezas móviles. Se recomienda el uso de guantes y calzado de goma cuando se trabaja al aire libre.
- Utilizar gafas de seguridad: utilizar siempre una mascarilla facial o una mascarilla antipolvo si se trabaja en un lugar polvoriento.
- Utilizar el aparato adecuado: no utilizar el cortacésped para realizar un trabajo para el que no haya sido concebido.
- No forzar el cortacésped: se trabajará de mejor manera y con mayor seguridad a la velocidad para la que ha sido diseñado.
- No excederse: mantener siempre bien apoyados los pies y el equilibrio.
- Estar alerta: observar siempre lo que se hace.

Utilizar el sentido común. No operar el cortacésped si se está cansado.

- Guardar el cortacésped vacío en interiores cuando no se use. El cortacésped debe almacenarse en un lugar seco y fuera del alcance de los niños.
- Mantener el cortacésped con cuidado: mantener los bordes de corte afilados y limpios para un rendimiento mejor y más seguro. Seguir las instrucciones para la lubricación y el cambio de accesorios. Mantener las empuñaduras secas, limpias y libres de aceite y grasa.
- Mantener los dispositivos de protección en su lugar y en buen estado.
- Mantener las cuchillas afiladas.
- Mantener las manos y los pies fuera de la zona de corte.
- Los objetos golpeados por la cuchilla del cortacésped pueden causar graves lesiones a las personas. Es preciso examinar siempre bien el césped y despejar todos los objetos antes de cada corte.
- Si el cortacésped golpea un objeto extraño, seguir estos pasos:
 - i) Para el cortacésped. Desenchufarlo.
 - ii) Inspeccionar que no haya daños.
 - iii) Reparar cualquier daño antes de encender y poner de nuevo en marcha el cortacésped.
- Utilizar exclusivamente cuchillas de repuesto idénticas.
- Evitar un arranque inesperado. Asegurarse de que el interruptor se encuentre en la posición OFF antes de conectar la batería, alzarla o transportarla. El transporte de aparatos con el dedo en el interruptor o la activación de aparatos energéticos con el interruptor en ON puede provocar accidentes.
- Desconectar la batería del aparato antes de realizar ajustes, cambiar accesorios o almacenar el aparato. Este tipo de medidas de seguridad preventivas sirve para reducir el riesgo de poner en marcha el aparato de manera involuntaria.
- Recargar solo con el cargador especificado por el fabricante. Un cargador adecuado para un tipo de batería puede conllevar el riesgo de provocar un incendio si se usa con otro tipo de batería.
- Utilizar los aparatos solo con las baterías designadas específicamente. El uso de cualquier otro tipo de batería puede suponer un riesgo de sufrir lesiones y de provocar un incendio.
- Si no se está usando la batería, mantenerla

alejada de otros objetos metálicos, como clips, monedas, llaves, clavos, tornillos u otros objetos pequeños de metal que puedan realizar una conexión de un terminal al otro. Si se cortocircuitan los terminales de la batería, se pueden provocar quemaduras o un incendio.

- En caso de uso excesivo, es posible que algo de líquido goteé de la batería. Evitar el contacto. En caso de contacto accidental, lavar con agua. Si el líquido entra en contacto con los ojos, buscar atención médica. El líquido que sale de la batería puede causar irritación o quemaduras. (Estos consejos están destinados a los tipos de batería convencionales NiMH, NiCd, de plomo y ácido y de iones de litio. Si estos consejos no son adecuados para un tipo de batería distinta a estos, sustituirlos por los consejos adecuados.)
- No utilizar baterías ni aparatos que estén dañados o modificados. Las baterías dañadas o modificadas pueden manifestar comportamientos impredecibles que den lugar a incendio, explosión o riesgo de lesión.
- No exponer una batería ni un aparato al fuego o a una temperatura excesiva. La exposición al fuego o a una temperatura superior a los 266°F (130°C) puede provocar una explosión.
- Seguir todas las instrucciones de carga y no cargar la batería ni el aparato fuera del margen de temperatura especificado en las instrucciones. Una carga inadecuada o a temperaturas fuera del margen especificado puede dañar la batería e incrementar el riesgo de incendio.
- Encargar el servicio exclusivamente a una persona cualificada que use solo piezas de repuesto idénticas. Solo así se podrá mantener la seguridad del producto.
- No modificar ni intentar reparar el aparato o la batería (si aplicable) de forma distinta a lo que se indique en las instrucciones de uso y conservación.

1.) PARA TODOS LOS APARATOS QUE FUNCIONAN CON BATERÍA:

- No cargar el aparato bajo la lluvia ni en lugares húmedos.
- No utilizar aparatos que funcionan con batería bajo la lluvia. Quitar o desconectar siempre la batería antes de realizar ajustes, limpiar, reparar o transportar el aparato de jardín.

2.) PARA TODOS LOS APARATOS QUE FUNCIONAN CON UNA BATERÍA DESMONTABLE:

- Usar solo el siguiente tipo y tamaño de batería:
 - 18V 1.5Ah PXC batería Li-Ion
 - 18V 2.0Ah PXC batería Li-Ion
 - 18V 3.0Ah PXC batería Li-Ion
 - 18V 4.0Ah PXC batería Li-Ion
 - 18V 3.0Ah PXC Plus batería Li-Ion
 - 18V 4.0Ah PXC Plus batería Li-Ion
 - 18V 5.2Ah PXC Plus batería Li-Ion
 - 18V 4.0Ah/6.0Ah PXC Plus batería Li-Ion
- No tirar la batería al fuego. La célula puede explotar. Consultar la legislación local en materia de eliminación de residuos.
- No abrir ni cortar la batería. El electrolito que sale de la misma es corrosivo y puede lesionar los ojos o la piel. Puede ser tóxico si se ingiere.
- Tener cuidado al manipular la batería para no cortocircuitarla con materiales conductivos como anillos, pulseras o llaves. La batería o el conductor se puede sobrecalentar y provocar quemaduras.

3.) PRÁCTICAS SEGURAS PARA LOS CONTACTOS CONTROLADOS POR PEATONES

Esta máquina cortadora es capaz de amputar manos y pies y lanzar objetos. Si no se observan las siguientes instrucciones de seguridad, se podrían producir lesiones graves o la muerte.

I. INFORMACIÓN GENERAL

1. Leer, entender y seguir todas las instrucciones de la máquina y del manual o manuales antes de empezar.
2. Permitir solo el uso por parte de operarios que sean responsables, estén capacitados, familiarizados con las instrucciones y físicamente sean capaces de operar la máquina.
3. No llevar pasajeros y mantener alejados a los transeúntes.
4. No utilizar la máquina bajo los efectos del alcohol o las drogas.
5. Seguir las recomendaciones del fabricante para los pesos de las ruedas o los contrapesos.

II. PREPARACIÓN ANTES DE LA OPERACIÓN

1. Despejar el área de operación de cualquier objeto que pueda ser lanzado o interferir con el manejo de la máquina.
2. Mantener el área de funcionamiento libre de cualquier persona, especialmente de los niños pequeños. Detener la máquina y los accesorios si alguien entra en el área.
3. No operar la máquina sin que todo el dispositivo de recogida de césped, la expulsión de descarga u otros dispositivos de seguridad estén en su lugar y funcionen correctamente. Comprobar frecuentemente que no haya signos de desgaste o deterioro y reemplazar cuando sea necesario.
4. Usar el equipo de protección individual adecuado, como gafas de seguridad, protección auditiva y calzado.

III. FUNCIONAMIENTO

1. Operar la máquina solo a la luz del día o con una buena luz artificial.
2. Evitar agujeros, ranuras, baches, rocas u otros peligros ocultos. El terreno irregular podría volcar la máquina o hacer que el operario pierda el equilibrio o la postura.
3. No poner las manos ni los pies cerca de las piezas giratorias o debajo de la máquina. Mantenerse alejado de la abertura de descarga en todo momento.
4. No dirigir el material de descarga hacia nadie. Evitar descargar el material contra una pared o una obstrucción. El material puede rebotar hacia el operario. Parar la(s) cuchilla(s) al cruzar superficies de gravilla.
5. No cortar hacia atrás a menos que sea absolutamente necesario. Mirar siempre hacia abajo y atrás cuando se vaya marcha atrás.

IV. ESPECÍFICO PARA LOS NIÑOS

1. Pueden ocurrir accidentes trágicos si el operario no está pendiente de la presencia de niños. A menudo los niños se sienten atraídos por la máquina y la actividad del cortacésped. No asumir nunca que los niños permanecerán donde se les vio por última vez.
2. Mantener a los niños fuera del área de operación y bajo el cuidado de un adulto responsable que no sea el operario.
3. Esté alerta y apagar el cortacésped si un niño entra en el área.
4. No permitir nunca que un niño opere la máquina.

V. ESPECÍFICO PARA PENDIENTES

Las pendientes son un factor importante relacionado con los accidentes.

La operación en pendientes requiere una precau-

ción adicional.

1. Moverse por las pendientes en la dirección recomendada por el fabricante. Tener precaución al operar cerca de los desprendimientos.
2. Evitar cortar el césped húmedo. (Una mala postura podría causar un accidente por resbalón y caída.)
3. No operar la máquina bajo ninguna condición en la que no se asegure la tracción, la dirección o la estabilidad. Los neumáticos podrían deslizarse incluso si las ruedas están paradas.
4. Mantener siempre la máquina en marcha cuando se baje por una pendiente. No rodar cuesta abajo.
5. Evitar arrancar y parar en las pendientes. Evitar hacer cambios repentinos de velocidad o dirección. Hacer los giros despacio y gradualmente.
6. Tener especial cuidado al operar la máquina con un dispositivo de recogida de césped u otro(s) accesorio(s). Pueden afectar a la estabilidad de la máquina.

VI. SERVICIO

1. Mantener la máquina en buen estado de funcionamiento. Reemplazar las piezas desgastadas o dañadas.
2. Tener cuidado al realizar el mantenimiento de las cuchillas. Envolver la(s) cuchilla(s) o usar guantes. Reemplazar las cuchillas dañadas. No reparar ni alterar la(s) cuchilla(s).

ADVERTENCIAS GENERALES DE SEGURIDAD PARA LA BATERÍA

- Desechar la batería usada a tiempo y de manera adecuada. A la hora de desechar células o baterías secundarias, mantener separadas las células o baterías de distintos sistemas electromecánicos.
- Mantener la batería fuera del alcance de los niños y en el embalaje original hasta que estén listas para su uso.
- No meterse nunca la batería en la boca. De ingerirse, ponerse de inmediato en contacto con el centro de toxicología local.
- **ATENCIÓN:** la batería que se utiliza en este dispositivo puede conllevar riesgo de incendio o quemadura química si se abusa de ella. Sustituir la batería exclusivamente por otra de la marca Einhell o la marca recomendada. El uso de cualquier otra batería puede conllevar riesgo de incendio o explosión.
- **ADVERTENCIA:** No utilizar una batería o aparato que esté visiblemente dañado.
- **ADVERTENCIA:** No modificar ni intentar re-

parar el aparato ni la batería.

- **LAS BATERÍAS SE TIENEN QUE RECI-CLAR.**
- No cortocircuitar la célula ni la batería. No guardar las células ni baterías de manera descuidada en una caja o en un cajón donde se puedan cortocircuitar entre sí o por materiales conductivos.
- No someter las células o baterías a choques mecánicos.
- Mantener las células y baterías limpias y secas. Si se ensucian, frotarlas con un paño limpio y seco.
- No mantener las células o baterías secundarias en carga si no se usan.
- Mantener las células y baterías originales. No utilizar un cargador que no se haya facilitado específicamente para usar con el equipo. Las células y baterías secundarias se tienen que cargar antes de su uso. Utilizar siempre el cargador correcto y consultar las instrucciones del fabricante o el manual del equipo para saber cómo cargar correctamente.
- Siempre que sea posible, quitar la batería del equipo cuando no se use.
- En caso de uso excesivo, es posible que algo de líquido gotee de la batería. Evitar el contacto. En caso de contacto accidental, lavar con agua. Si el líquido entra en contacto con los ojos, buscar atención médica. El líquido que sale de la batería puede causar irritación o quemaduras.
- Encargar el servicio exclusivamente a una persona cualificada que use solo piezas de repuesto idénticas. Solo así se podrá mantener la seguridad del producto.

INSTRUCCIONES DE SEGURIDAD IMPORTANTES PARA EL CARGADOR

ADVERTENCIA: Este producto puede contener plomo, ftalato u otros productos químicos que según el Estado de California pueden provocar cáncer, malformaciones en el feto u otros daños reproductivos. Lavarse las manos después de utilizarlo.

Protección contra influencias ambientales

1. Ponerse ropa de trabajo adecuada. Ponerse gafas de protección.
2. **Proteger el aparato y el cargador de la humedad y la lluvia.** Éstas podrían provocar daños peligrosos en las celdas.
3. No utilizar el aparato y el cargador cerca de vapores y líquidos inflamables.
4. Utilizar el cargador y el aparato a batería sólo

si están secos y a una temperatura ambiente de 10-40 °C.

5. No guardar la batería en lugares que puedan alcanzar una temperatura superior a 40 °C, especialmente no en un vehículo aparcado al sol.
6. **¡Proteger las baterías contra un sobrecalentamiento!** La sobrecarga, carga excesiva o la radiación solar conducen a un sobrecalentamiento y al daño de las celdas. No cargar ni trabajar en ningún caso con baterías que se hayan sobrecalentado. Sustituirlas inmediatamente.
7. **Almacenamiento de baterías, cargadores y del aparato.** Guardar siempre el cargador y el aparato en habitaciones secas con una temperatura ambiente de 10-40°C. Guardar la batería de iones de litio en un lugar fresco y seco a 10-20°C. ¡Proteger de la humedad ambiental y de la radiación solar! Guardar las baterías únicamente cuando estén cargadas (mín. al 40%).
8. Evitar que la batería de iones de litio se hielan. Deshacerse de las baterías que hayan estado guardadas a 0°C durante más de 60 minutos.
9. Llevar cuidado con la carga electrostática al manipular baterías: las descargas electrostáticas provocan daños en el sistema electrónico de protección y las celdas de la batería. ¡Evitar por ello la carga electrostática y no tocar nunca los polos de la batería!

Información especial de seguridad

- Leer el manual de instrucciones con atención. Familiarizarse con los controles del operario y el funcionamiento adecuado de la máquina.
- No permitir nunca que los niños u otras personas que no estén familiarizados con el manual de instrucciones utilicen el equipo. Ponerse en contacto con la autoridad local para obtener información sobre los requisitos de edad mínima para el usuario.
- Nunca trabajar en la proximidad directa de personas - especialmente niños - o animales.
- Tener siempre presente que el operario o el usuario de la máquina es responsable de los accidentes que afecten a otras personas y/o a su propiedad.

Medidas preliminares

- Llevar siempre calzado resistente y antideslizante y pantalones largos cuando se use la máquina. No usar la máquina estando descalzo o con sandalias.

- Revisar todo el terreno en el que se va a utilizar la máquina y retirar todos los objetos que pueda atrapar o arrojar violentamente.
- Antes de usar la máquina, examinar siempre visualmente las herramientas para ver si están excesivamente gastadas o dañadas. Para evitar cualquier desequilibrio, sustituir las piezas desgastadas o dañadas y los pernos de montaje solo como juego completo.
- Asegurarse de que todas las tuercas, pernos y tornillos estén bien apretados y que la máquina esté en condiciones de funcionar de manera segura.

Instrucciones de seguridad para el cortacésped manual

- Comprobar siempre que la máquina no esté dañada antes de usarla. Las reparaciones solo se pueden llevar a cabo en nuestro taller de servicio. Si se producen vibraciones inusuales durante el uso, apagar la máquina inmediatamente y retirar del enchufe de seguridad. Revisar las cuchillas y limpiarlas si es necesario. Si el equipo sigue vibrando, apagarlo, retirar el enchufe de seguridad y enviarlo a nuestro taller de servicio.
- La máquina no se debe inclinar mientras se está poniendo en marcha. Las dos manos deben estar en la empuñadura cuando se arranca la máquina.
- Las piezas desgastadas solo se pueden reemplazar en nuestro taller de servicio. De ser necesario, ponerse en contacto con la dirección de servicio facilitada.

ADVERTENCIAS:

- No tocar las cuchillas hasta que la máquina se haya desconectado de la batería recargable y las cuchillas se hayan detenido por completo.
- Cortar la conexión con la batería recargable (en otras palabras, sacar el enchufe de seguridad):
 - siempre que se deje el equipo desatendido;
 - antes de despejar una cuchilla bloqueada;
 - antes de llevar a cabo cualquier control, limpieza u otro trabajo en el equipo
 - si se ha golpeado un cuerpo extraño;
 - cuando la máquina empiece a vibrar de forma extraña;
- Leer atentamente las instrucciones para operar la máquina con seguridad.

Manejo

- Cortar el césped solo a plena luz del día o en condiciones de buena iluminación.
- No utilizar la máquina en césped húmedo.
- Mantener siempre una buena postura en las cuestas.
- Solo operar la máquina a paso normal.
- Siempre cortar el césped de las pendientes de forma transversal, es decir, nunca en línea recta hacia arriba o hacia abajo.
- Tener especial cuidado cuando se cambie de dirección en una pendiente.
- No cortar en pendientes demasiado pronunciadas.
- Tener siempre mucho cuidado al girar el cortacésped y al tirar de él hacia uno mismo.
- Apagar el cortacésped, retirar el enchufe de seguridad y esperar hasta que el cortacésped se haya detenido completamente si se necesita volcar el cortacésped, transportarlo sobre otras superficies que no sean césped y si hay que trasladar el cortacésped desde y hacia la zona que se desea cortar.
- No utilizar nunca el cortacésped si las protecciones están dañadas o sin las protecciones adjuntas, por ejemplo, los deflectores y/o los dispositivos de recogida de césped.
- Utilizar el interruptor ON/OFF con cuidado como se describe en las instrucciones del fabricante. Asegurarse de mantener los pies lo suficientemente lejos de la cuchilla cortacésped.
- El cortacésped no debe inclinarse cuando se enciende el motor a menos que tenga que levantarse para empezar a trabajar. En este caso, inclinarlo solo lo absolutamente necesario y levantar exclusivamente el lado opuesto al del usuario.
- No encender el cortacésped si se está colocado delante de la compuerta.
- No mover nunca las manos o los pies hacia o debajo de ninguna pieza giratoria. Mantenerse alejado de la abertura de la compuerta de expulsión en todo momento.
- Nunca levantar o cargar una cortacésped con el motor en marcha.
- Apagar el motor y retirar el enchufe de seguridad. Asegurarse de que todas las partes móviles se hayan parado completamente:
 - Antes de soltar cualquier bloqueo o atasco en la compuerta.
 - Antes de llevar a cabo cualquier control, limpieza, mantenimiento u otro trabajo en el cortacésped.
 - Si se ha topado con un objeto extraño.

Examinar que el cortacésped no presente daños y realizar las reparaciones necesarias antes de reiniciar y seguir trabajando con el cortacésped.

- Si el cortacésped comienza a experimentar vibraciones excepcionalmente fuertes, apagarlo de inmediato y revisarlo.

- q) Apagar el cortacésped, retirar del enchufe de seguridad y asegurarse de que todas las partes móviles se hayan parado por completo.

Mantenimiento y almacenamiento

- Asegurarse de que todas las tuercas, pernos y tornillos estén bien apretados y que la máquina esté en condiciones de funcionar de manera segura.
- Dejar que el cortacésped se enfríe antes de ponerlo en un área cerrada.
- Para evitar el riesgo de incendio, mantener la carcasa del motor y las ranuras de ventilación libres de césped, hojas, aceite y grasa.
- Revisar periódicamente la cesta de recogida de césped para ver si presenta signos de desgaste o de deterioro en su funcionalidad.
- Por la propia seguridad, asegurarse de que se cambien de inmediato las piezas desgastadas o dañadas.
- Tener cuidado de no atascar los dedos entre las cuchillas móviles y las partes fijas del equipo mientras se ajusta.
- Mientras se llevan a cabo los trabajos de mantenimiento de las cuchillas, recordar que las cuchillas se pueden mover incluso si la fuente de alimentación se ha apagado.

GUARDAR ESTAS INSTRUCCIONES

2. Descripción del aparato y volumen de entrega

2.1 Descripción del aparato (fig. 1)

- Estríbo de conmutación
- Arco superior de empuje
- Enchufe de seguridad
- Asa de transporte
- Ajuste central de la altura de corte
- Compuerta de expulsión
- Bolsa de recogida de césped
- Arco de empuje inferior izquierdo
- Arco de empuje inferior derecho
- Tornillos de fijación para el arco de empuje inferior (2x)
- Tornillos para el arco de empuje superior con

- función de sujeción rápida (2x)
- Arandelas (4x)
- Grapas para fijación del cable (3x)
- Indicador de llenado
- Tapa
- Botón de bloqueo de conexión
- Baterías
- Dispositivo de retención
- Indicador de capacidad de batería
- Pulsador para indicar la capacidad de batería

2.2 Volumen de entrega

Sirviéndose de la descripción del volumen de entrega, comprobar que el artículo esté completo. Si faltase alguna pieza, dirigirse a nuestro Service Center o a la tienda especializada más cercana en un plazo máximo de 5 días laborales tras la compra del artículo presentando un recibo de compra válido.

- Abrir el embalaje y extraer cuidadosamente el aparato.
- Retirar el material de embalaje, así como los dispositivos de seguridad del embalaje y para el transporte (si existen).
- Comprobar que el volumen de entrega esté completo.
- Comprobar que el aparato y los accesorios no presenten daños ocasionados durante el transporte.
- Si es posible, almacenar el embalaje hasta que transcurra el periodo de garantía.

Peligro!

¡El aparato y el material de embalaje no son un juguete! ¡No permitir que los niños jueguen con bolsas de plástico, láminas y piezas pequeñas! ¡Riesgo de ingestión y asfixia!

- Cortacéspedes inalámbricos
- Manual de instrucción original con instrucción de seguridad

Accesorios disponibles por separado

- 18V 1.5Ah PXC batería Li-Ion
- 18V 2.0Ah PXC batería Li-Ion
- 18V 3.0Ah PXC batería Li-Ion
- 18V 4.0Ah PXC batería Li-Ion
- 18V 3.0Ah PXC Plus batería Li-Ion
- 18V 4.0Ah PXC Plus batería Li-Ion
- 18V 5.2Ah PXC Plus batería Li-Ion
- 18V 4.0Ah/6.0Ah PXC Plus batería Li-Ion
- 18V PXC cargador rápido

Comuníquese con su distribuidor local para obtener modelos más específicos de baterías y cargadores disponibles en su área. Explorar las opciones de batería y cargador en einhell.com.

3. Uso adecuado

El cortacésped es adecuado para el uso en jardines privados o de hobby.

Se define como cortacésped para el uso privado todo aquel cortacésped cuyo empleo a lo largo del año no supere por lo regular las 50 horas de servicio, estando indicado su uso mayoritariamente para el cuidado de superficies de césped que no formen parte de instalaciones públicas, parques, polideportivos, así como zonas agrícolas o forestales.


¡Atención! A fin de evitar todo riesgo de lesiones para el operario, el cortacésped no debe ser empleado para cortar arbustos, setos y matorrales, para cortar y triturar plantas trepadoras o césped en azoteas o terrazas, para limpiar (por aspiración) aceras, evitando asimismo emplearlo como trituradora para desmenuzar ramas de árbol o setos. Además, el cortacésped no debe usarse como azada para allanar irregularidades en el suelo como, por ejemplo, los montículos de tierra hechos por los topes.

Por motivos de seguridad, no emplear el cortacésped como unidad motriz para otras herramientas de trabajo y juegos de herramientas de toda índole, a no ser que ello haya sido permitido expresamente por el fabricante.

Utilizar la máquina sólo en los casos que se indican explícitamente como de uso adecuado. Cualquier otro uso no será adecuado. En caso de uso inadecuado, el fabricante no se hace responsable de daños o lesiones de cualquier tipo; el responsable es el usuario u operario de la máquina.

Tener en consideración que nuestro aparato no está indicado para un uso comercial, industrial o en taller. No asumiremos ningún tipo de garantía cuando se utilice el aparato en zonas industriales, comerciales o talleres, así como actividades similares.

4. Características técnicas

Alimentación de tensión de motor: 18V 
 Velocidad del motor: 3400 RPM (min⁻¹)
 Tipo de protección: IPX1
 Anchura de corte: 13" (33 cm)
 Volumen de la cesta de recogida de césped:
 8 gal (30l)
 Ajuste de la altura de corte:
 1" a 2-1/2" (25-65 mm); 5 niveles
 Peso (solo herramienta): 22.5 lb (10.2 kg)

¡Reducir la emisión de ruido y las vibraciones al mínimo!

- Emplear sólo aparatos en perfecto estado.
- Realizar el mantenimiento del aparato y limpiarlo con regularidad.
- Adaptar el modo de trabajo al aparato.
- No sobrecargar el aparato.
- En caso necesario dejar que se compruebe el aparato.
- Apagar el aparato cuando no se esté utilizando.
- Llevar guantes.

Cuidado!

Riesgos residuales

Incluso si esta herramienta se utiliza adecuadamente, siempre existen riesgos residuales. En función de la estructura y del diseño de esta herramienta eléctrica pueden producirse los siguientes riesgos:

1. Lesiones pulmonares en caso de que no se utilice una mascarilla de protección antipolvo.
2. Lesiones auditivas en caso de que no se utilice una protección para los oídos adecuada.
3. Daños a la salud derivados de las vibraciones de las manos y los brazos si el aparato se utiliza durante un largo periodo tiempo, no se sujeta del modo correcto o si no se realiza un mantenimiento adecuado.

Aviso:

Este aparato genera un campo electromagnético durante su funcionamiento. En determinadas circunstancias, este campo podrá afectar a los posibles implantes médicos activos o pasivos. Para reducir el peligro de lesiones graves o incluso mortales, recomendamos a las personas que lleven este tipo de implantes que consulten a su médico y al fabricante del implante antes de utilizar el aparato.

5. Antes de la puesta en marcha

El cortacésped se entrega parcialmente montado. El arco de empuje y la bolsa de recogida deben montarse antes de empezar a utilizar el cortacésped. Siga el manual de instrucciones paso a paso y fíjese en las imágenes a la hora de realizar el montaje.

¡Advertencia! Las piezas necesarias para el montaje (tornillos, guías para cables, etc.) o piezas para el funcionamiento (p. ej. enchufes, llaves, etc.) puede que se encuentren en las piezas preformadas del embalaje o en el aparato.

Aviso: retirar siempre el enchufe de seguridad antes de realizar ajustes en el aparato.

Montaje del arco de empuje (fig. 3 - 5)

En primer lugar, fijar el arco de empuje inferior con los tornillos fijación y arandelas (fig. 3/pos. 10,12) a la izquierda (fig. 3/pos. 8) y derecha (fig. 3/pos. 9) al chasis del cortacésped. El arco de empuje superior se debe encajar con el arco de empuje inferior y fijar con ayuda de los tornillos y arandelas (fig. 4/pos. 11,12). El arco de empuje inferior presenta 2 orificios distintos para adaptar la altura del mango al usuario. Finalmente, con el sujetacables (fig. 5/pos. 13) fijar el cable de conexión al arco de empuje.

Montaje de la bolsa de recogida (fig. 6)

Antes de sujetar la bolsa de recogida en su sitio, apagar el motor y esperar a que la cuchilla se halle totalmente parada. Levantar la compuerta de expulsión (fig. 6/pos. 6) con una mano. Sostener con la otra mano la bolsa de recogida por la empuñadura y colgarla desde arriba (fig. 6).

Indicador de llenado del dispositivo colector

El dispositivo colector dispone de un indicador de nivel de llenado (fig. 1/pos. 14), el cual se abre con el caudal de aire que genera el cortacésped cuando está en funcionamiento. Si la compuerta se cierra de golpe mientras se está cortando el césped, significa que el dispositivo colector está lleno y se debe vaciar. Para que el indicador de llenado funcione correctamente, será preciso mantener siempre limpios y permeables los orificios bajo la compuerta.

Ajuste de la altura de corte

¡Atención!

El ajuste de la altura de corte debe efectuarse únicamente tras haber desconectado el aparato y sacado el enchufe de seguridad.

La altura de corte se ajusta como se indica a continuación (fig. 7):

1. Presionar la palanca (5) hacia abajo.
2. Colocar la palanca (5) a la altura de corte deseada.
3. Soltar la palanca (5) y comprobar que esté bien asentada en el dispositivo de retención.

Comprobación de la altura del corte

La altura del corte se puede ajustar de 1" - 2-½" (25 a 65 mm) en 5 niveles, y se puede leer en la escala graduada.

Antes de empezar a cortar el césped, compruebe que la herramienta de corte esté afilada y que sus elementos de sujeción no presenten daños. Sustituir aquellas herramientas de corte que no estén afiladas o se encuentren dañadas con el fin de evitar desequilibrios en el aparato. Durante las comprobaciones, parar el motor y retirar el enchufe de seguridad de la toma de corriente.

5.1 Cómo cargar la batería de litio

Las instrucciones correspondientes se encuentran en el manual de instrucciones original del cargador.

5.2 Indicador de capacidad de batería (fig. 8)

Pulsar el interruptor para acceder al indicador de capacidad de la batería (20). El indicador de capacidad de batería (19) le indica el estado de carga de la batería sirviéndose de 3 LEDs.

Los 3 LED están iluminados:

La batería está completamente cargada.

2 o 1 LED están iluminados

La batería dispone de suficiente carga residual.

1 LED parpadea:

La batería está vacía, es preciso cargarla.

Si todos los LED parpadean:

La temperatura de la batería es demasiado baja. Quitar la batería del aparato y dejarla durante un día a temperatura ambiente. Si vuelve a aparecer el fallo, la batería se ha descargado completamente y está defectuosa. Quitar la batería del

aparato. Está prohibido emplear o cargar una batería defectuosa.

Montaje de la batería (fig. 9)

Advertencia:

- La tapa se cierra automáticamente y se mantiene sujeta mediante imanes.

Abrir la tapa y sujetarla. Introducir la batería en el alojamiento previsto para ello (15). En cuanto la batería esté totalmente introducida, asegurarse de que el dispositivo de retención (18) se enclave. Para desmontar la batería, realizar los mismos pasos en orden inverso.

6. Manejo

Cuidado!

El cortacésped está provisto de un interruptor de seguridad para evitar que se use indebidamente. Justo antes de la puesta en marcha del cortacésped, es preciso poner el enchufe de seguridad (fig. 11/pos. 3) y quitarlo cada vez que se interrumpan o finalicen los trabajos.

¡Atención!

Con el fin de evitar una conexión involuntaria, se ha equipado el cortacésped con un botón de bloqueo de conexión (fig. 10/pos. 16) que se ha de pulsar antes de que puedan activarse los interruptores (fig. 10/pos. 1). El cortacésped se desconecta de inmediato si se dejan de presionar los interruptores. Repetir este proceso un par de veces para asegurarse de que el aparato funciona correctamente. Antes de efectuar trabajos de reparación o mantenimiento en el equipo, es preciso asegurarse de que las cuchillas no giran y que el enchufe de seguridad esté quitado.

Aviso! No abrir nunca la compuerta del expulsor cuando se esté vaciando el dispositivo colector y el motor esté todavía funcionando. La cuchilla giratoria puede ocasionar lesiones de gravedad.

Fijar siempre con cuidado la compuerta de expulsión o la bolsa de recogida de césped. Antes de sacar algún componente, apagar el motor.

Es necesario mantener siempre la distancia de seguridad establecida por el mango entre la carcasa de la cuchilla y el operario. Se aconseja ser especialmente cuidadoso a la hora de cortar el césped, especialmente al cambiar el sentido

de la marcha en zanjas y pendientes. Es preciso asegurarse de que se mantiene una posición segura, de que se lleva calzado de suela antideslizante, con buenas propiedades adherentes y pantalones largos.

Cortar siempre el césped de forma transversal a la pendiente. Por motivos de seguridad, no debe cortarse el césped con la máquina en pendientes con más de 15 grados de inclinación. Poner especial cuidado al moverse hacia atrás y al tirar del cortacésped. ¡Peligro de tropezar!

Instrucciones para cortar el césped de manera adecuada

A la hora de cortar el césped, se recomienda hacer pasadas que se superpongan.

Cortar el césped empleando únicamente cuchillas afiladas y en perfecto estado con el fin de que los tallos no se deshilachen, provocando así un amarilleamiento del césped.

Para conseguir un corte limpio del césped es necesario que los recorridos del cortacésped sean lo más rectos posible. Dichos recorridos deben superponerse entre sí algunos centímetros para que no quede ninguna banda de césped sin cortar.

La duración de la batería, y con ello el rendimiento de superficie en m² de una carga de batería, depende en gran parte de las características que presenta el césped (p. ej. densidad, humedad, longitud, altura de corte, etc.) y la velocidad de corte (velocidad del paso). Para adaptar de forma individual el rendimiento de superficie, se recomienda cortar el césped con más frecuencia, a una altura de corte mayor y a una velocidad de paso adecuada. Si el aparato se enciende y apagar con frecuencia mientras se está cortando el césped, se reduce el rendimiento de superficie. Si, a pesar de las medidas anteriores, la duración de la batería (rendimiento de superficie) no resulta satisfactoria, se pueden adquirir batería con una capacidad superior (Ah).

La frecuencia con la que se debe cortar el césped dependerá básicamente de lo rápido que crezca. En la temporada de mayor crecimiento (mayo-junio) dos veces por semana, en otras épocas, una vez por semana. La altura de corte debe ser de entre 1-1/2" - 2-3/8" (4-6 cm), dejando que el césped crezca unos 1-1/2" - 2" (4-5 cm) más antes de volver a cortarlo. Si alguna vez deja que el césped crezca más de lo normal, no cometa el error de volver a cortarlo a la altura regular puesto

que no haría más que dañarlo. La primera vez no corte más de la mitad de la altura del césped.

Mantener limpia la parte inferior del chasis del cortacésped, eliminando totalmente los residuos de césped acumulados. Los residuos acumulados dificultan el proceso de puesta en marcha, menoscabando calidad de corte y la expulsión de césped.

En las pendientes, es necesario que el recorrido de corte se efectúe de forma transversal a la pendiente. El cortacésped no puede resbalar si se halla en posición oblicua hacia arriba.

Seleccionar la altura de corte correspondiente a la longitud real del césped. Pasar el cortacésped varias veces de tal manera que cada vez que lo pase cortar un máximo de 1-1/2" (4 cm) de césped.

Antes de realizar cualquier control de las cuchillas, no se olvide de desconectar el motor. Tener siempre en cuenta que, aunque se haya apagado el motor, la cuchilla sigue girando por inercia durante algunos segundos. No intentar jamás parar la cuchilla. Comprobar con regularidad si la cuchilla se halla bien sujeta, en buen estado y bien afilada. Si se encuentra dañada, afilarla o cambiarla por otra nueva. En caso de que la cuchilla en movimiento tropiece con algún objeto, parar el cortacésped y esperar hasta que la cuchilla se detenga por completo. A continuación, controlar el estado de la cuchilla y del soporte de la cuchilla. En caso de que presenten daños es necesario cambiarlas.

Cuando empiecen a dejarse restos de césped mientras lo esté cortando será preciso que vacíe la bolsa de recogida. **¡Atención!** Antes de extraer la bolsa de recogida, es necesario apagar el motor y esperar a que la herramienta de corte esté parada por completo.

Para extraer la bolsa de recogida, levantar la compuerta de expulsión con una mano y, con la otra, sacar la bolsa estirándola por el asa. De acuerdo con la normativa relativa a seguridad, la compuerta de expulsión se cierra de golpe una vez extraída la bolsa de recogida, obturando así el orificio posterior de expulsión. En caso de que queden restos de césped en el orificio, es necesario retirar el cortacésped aprox. 3.2 pies (1 m), con el fin de facilitar el arranque del motor.

No eliminar con la mano o los pies los restos de césped que se encuentren adheridos al chasis y en la herramienta de trabajo, utilizar siempre un objeto adecuado, por ejemplo, cepillos o escobillas.

Para poder recoger bien el césped, es preciso limpiar el interior de la bolsa de recogida después del uso.

Colgar la bolsa de recogida únicamente cuando se haya desconectado el motor y la herramienta de corte se haya detenido por completo.

Levantar con una mano la compuerta de expulsión, mientras sostiene con la otra mano el asa de la Bolsa de recogida y la cuelga desde arriba.

7. Mantenimiento y limpieza

Peligro!

Quitar el enchufe de seguridad antes de cada limpieza (fig. 11).

7.1 Limpieza

- Reducir al máximo posible la suciedad y el polvo en los dispositivos de seguridad, las rendijas de ventilación y la carcasa del motor. Frotar el aparato con un paño limpio o soplarlo con aire comprimido manteniendo la presión baja.
- El cortacésped no debe limpiarse con agua corriente, especialmente a alta presión.
- Se recomienda limpiar el aparato tras cada uso.
- Limpiar el aparato con regularidad con un paño húmedo y un poco de jabón blando. No utilizar productos de limpieza o disolventes ya que se podrían deteriorar las piezas de plástico del aparato. Es preciso tener en cuenta que no entre agua en el interior del aparato. Si entra agua en el aparato eléctrico existirá mayor riesgo de una descarga eléctrica.
- Limpiar el cortacésped empleando cepillos y trapos.

7.2 Mantenimiento

- Las cuchillas desgastadas o que presenten daños, los soportes de la cuchilla y los pernos han de ser cambiados únicamente como juego completo por una persona especializada con el fin de mantener el equilibrio de la máquina.
- Asegurarse de que todos los elementos de sujeción (tornillos, tuercas, etc.) estén bien apretados para que se pueda trabajar con el cortacésped de forma segura.
- Comprobar regularmente que el dispositivo de recogida de césped no presente señales de desgaste.
- Cambiar las piezas desgastadas o que presenten daños.
- Es preciso limpiar y a continuación engrasar todas los componentes con rosca, así como las ruedas y los ejes con el fin de garantizar que tengan una larga vida útil.
- El cuidado regular del cortacésped garantiza una prolongada vida útil, así como rendimiento del aparato, redundando todo ello en pro de la facilidad y eficiencia requeridas a la hora de cortar el césped.
- El componente más sometido al desgaste es la cuchilla. Comprobar regularmente el estado de la misma, así como que se halle bien sujeta. En caso de que la cuchilla esté desgastada, se ha de cambiar o afilar de inmediato. Si el cortacésped vibra en exceso, significa que la cuchilla no se halla bien equilibrada o que se ha deformado debido a los golpes. En este caso, la misma debe ser cambiada o reparada.
- No hay que realizar el mantenimiento a más piezas en el interior del aparato.

7.3 Cambiar la cuchilla

Por motivos de seguridad, le aconsejamos que una persona especializada y autorizada para ello efectúe el cambio de la cuchilla. ¡Atención! Ponerse guantes de trabajo. Emplear únicamente cuchillas originales, de no ser así, no se garantiza el funcionamiento correcto ni la seguridad del aparato.

Para cambiar la cuchilla, es preciso seguir los siguientes pasos:

1. Soltar el tornillo de fijación (fig. 12).
2. Retirar la cuchilla y sustituirla por una nueva.
3. Durante el montaje de la nueva cuchilla asegurarse de que lo hace en el sentido correcto. Las aspas de la cuchilla deben penetrar en el compartimento del motor (fig. 12). Los mandriles de sujeción deben coincidir con las

perforaciones de la cuchilla.

4. A continuación, apretar el tornillo de fijación con la llave universal (fig. 12). El par debe ser de aprox. 25 Nm.

Cuando no se necesite usar más el cortacésped, es preciso someterlo a un control completo, eliminando todos aquellos residuos acumulados que se encuentren. Cuando se vuelva a emplear el cortacésped no olvidarse de comprobar el estado de la cuchilla. Ponerse en contacto con el departamento de reparaciones de nuestro servicio de atención al cliente. Utilizar únicamente piezas de recambio originales.

Cuchilla de repuesto núm. art.: 3405458

8. Eliminación y reciclaje

El aparato está protegido por un embalaje para evitar daños producidos por el transporte. Este embalaje es materia prima y, por eso, se puede volver a utilizar o llevar a un punto de reciclaje. El aparato y sus accesorios están compuestos de diversos materiales, como, p. ej., metal y plástico. Los aparatos defectuosos no deben tirarse a la basura doméstica. Para su eliminación adecuada, el aparato debe entregarse a una entidad recolectora prevista para ello. En caso de no conocer ninguna, será preciso informarse en el organismo responsable del municipio.

9. Almacenamiento y transporte

Quitar las baterías.

Guardar el aparato y sus accesorios en un lugar oscuro, seco, protegido de las heladas e inaccesible para los niños. La temperatura de almacenamiento óptima se encuentra entre los 50°F y 104°F (10°C y 40°C). Guardar la herramienta eléctrica en su embalaje original.

Transporte

- Apagar el aparato y desenchufarlo del suministro de corriente antes de transportarlo.
- Poner los dispositivos de protección para el transporte (en caso de existir).
- Proteger el aparato contra daños y fuertes vibraciones, especialmente durante el transporte en vehículos.
- Asegurar el aparato para que no se resbale ni se vuelque.

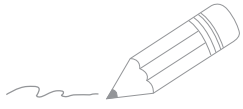
Sólo está permitido copiar la documentación y documentos anexos del producto, o extractos de los mismos, con autorización expresa de Einhell Germany AG.

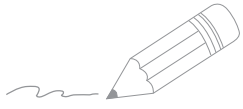
Nos reservamos el derecho a realizar modificaciones técnicas.

10. Plan para localización de fallos

Fallo	Posibles causas	Solución
El motor no arranca o se detiene (contacto flojo).	a) Condensador defectuoso. b) El aparato trabaja con césped crecido. c) Chasis del cortacésped atascado la cuchilla funcione. d) Enchufe de seguridad no puesto. e) Batería puesta de forma incorrecta. f) Se han soltado las conexiones en el motor o condensador.	a) Un especialista autorizado deberá comprobarlo. b) Arrancar sobre césped corto o sobre superficies ya cortadas; modificar eventualmente la altura de corte. c) Limpiar el chasis para que correctamente. d) Poner el enchufe de seguridad (ver 6). e) Quitar la batería y volver a ponerla (ver 5). f) Un especialista autorizado deberá comprobarlo.
La potencia del motor disminuye.	a) Césped demasiado crecido o húmedo. b) Chasis del cortacésped atascado. c) Cuchilla fuertemente gastada. d) La potencia de la batería disminuye.	a) Corregir la altura de corte. b) Limpiar chasis. c) Cambiar cuchilla. d) Comprobar la capacidad de la batería y, de ser necesario, cargarla (ver 5).
Corte irregular.	a) Cuchilla gastada. b) Altura de corte incorrecta.	a) Cambiar o afilar cuchilla. b) Corregir la altura de corte.

Advertencia! ¡El motor lleva un guardamotor que lo desconecta en caso de sobrecarga y, tras una breve pausa de enfriamiento, vuelve a conectarlo de forma automática!





A series of horizontal lines for writing, starting from the top right and extending down to the bottom of the page.



www.Einhell.com

EH 11/2023 (01)