

Radial Tile Cutting Machine YPL 180

Art.-No.: **43.012.41**

Bar-Code: : 4006825506563

Sales Unit: 1 pcs

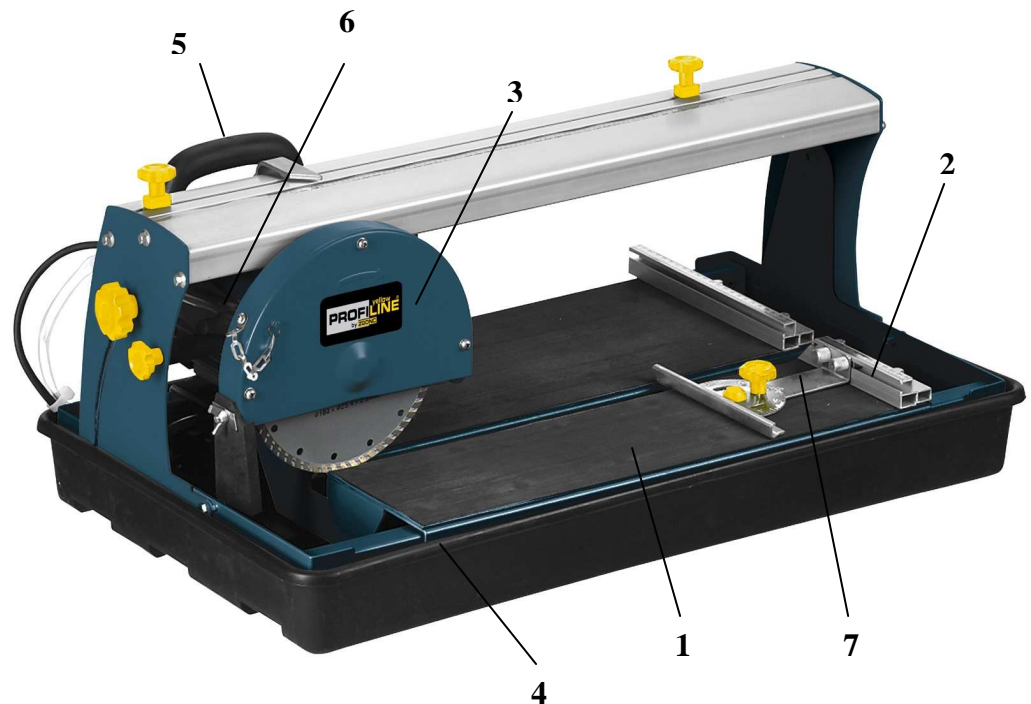
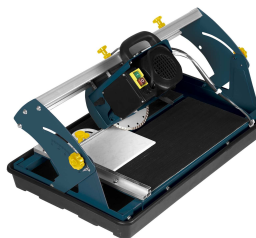
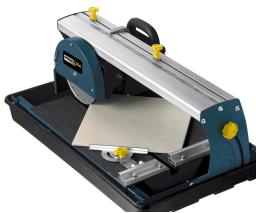
The tile cutting machine YPL 180 is a portable machine for tile and stone cutting of small and medium sized pieces. Within a few seconds the machine can be set for mitre-, double mitre saw cuts and Jolly cuts. The integrated cooling agents pump protects the diamond disc and allows dust-free work to be done.

Technical Data:

- Working Table:	500 x 385 mm
- 2 –phase motor:	230 V ~ 50 Hz
- Power:	600 watts
- Idle speed n_0 :	2950 min ⁻¹
- Cutting depth max:	90° - 25 / 45° - 15 mm
- Cutting length max. 15 mm thickness:	360 mm
- Cutting length max:	430 mm
- Mitre cut:	0° - 45°
- Size of diamond disc:	Ø 180 x Ø 25,4 mm
- Insulation glass:	IP 54
- Weight:	25 kg
- Packing dimension:	775 x 485 x 335 mm

Features:

- Work table with rubber mat (1)
- Sturdy aluminium guide rail (2)
- Sturdy disc cover made of sheet steel (3)
- Large water pan (4)
- Motor setting 4-fold ball bearings
- Motor guidance settings 0° - 45° and tilting (6)
- Angle stop with scale (7)
- Integrated cooling agent pump
- Stable grip (5)



As special accessory available:

Diamond disc
Ø 180 x Ø 25,4 mm

Art.-No.: **43.011.76**
bar code: 4006825505481