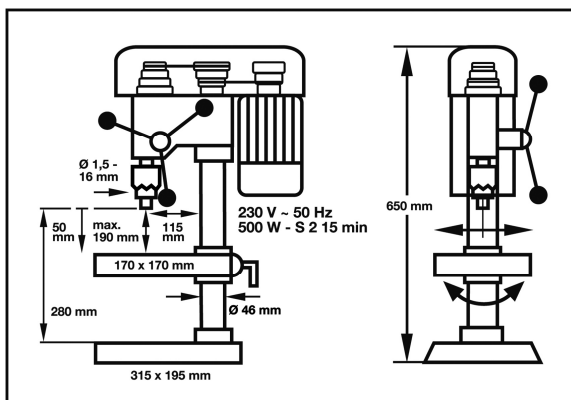
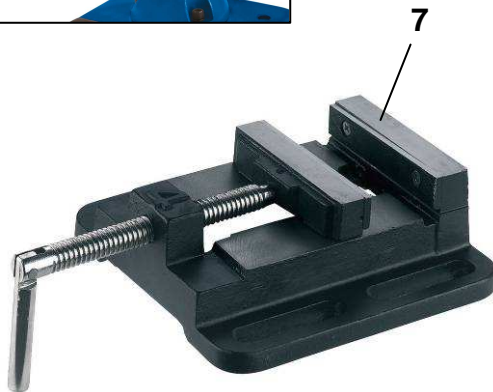
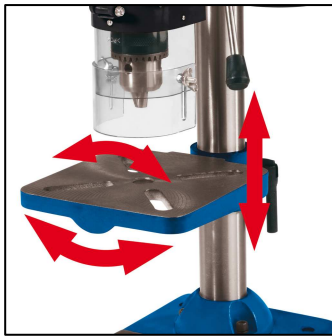


## Features

- High-grade gummed handles (1)
- Continuously adjustable table height (2)
- Stable foot with ground plate (3)
- Folding chip guard (4)
- Gear ring drill chuck (5)
- ON/OFF switch with zero voltage releasing
- Twistable graduated collar for precise drilling depth (6)
- Tiltable and pivotable drill table
- 9-fold speed grading from 280 – 2,350 min<sup>-1</sup>
- Ball bearing drill spindle
- Bench vice (7)



## Technical Data

- Mains: 230 V ~ 50 Hz
- Power: 500 W S2 15 min
- Spindle speed: 280 – 2,350 min<sup>-1</sup> (9 steps)
- Tilt drill table: -45° to +45°
- Drill chuck mount: B16
- Drill diameter:  $\varnothing 1.5 - 16 \text{ mm}$
- Throat: 115 mm
- Max. drilling depth: 50 mm
- Product weight: 19.2 kg

## Logistic Data

- Net weight: 21.0 kg
- Gross weight: 22.4 kg
- Packing dimensions: 515 x 385 x 245 mm
- Sales unit: 1 pc

