

**Einhell®**

**GE-TM 102 B&S**

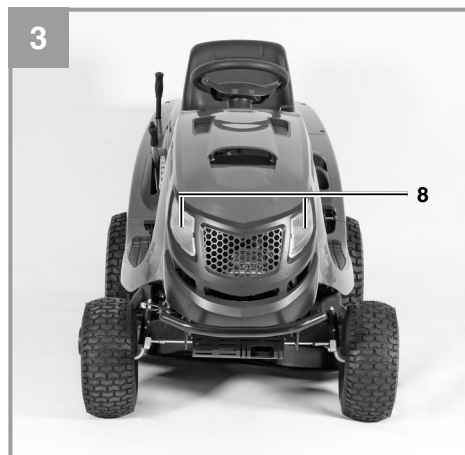
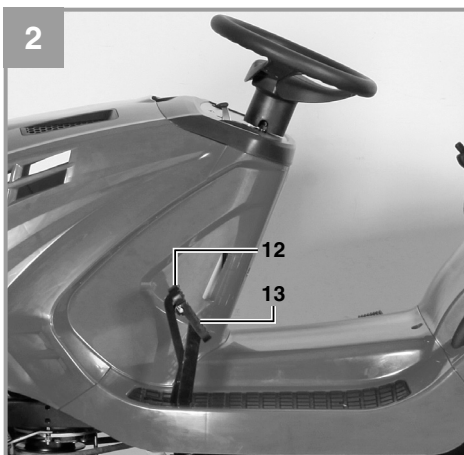
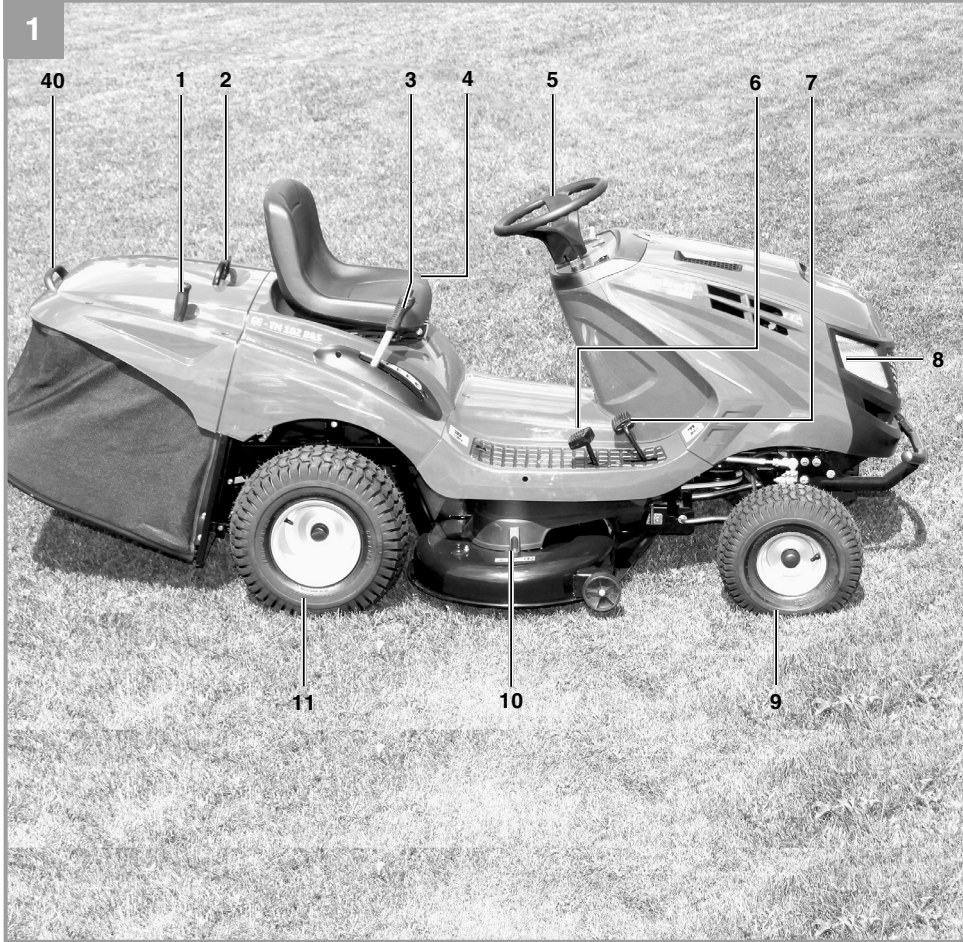
- 
- D** Produktabbildungen  
zur Originalbetriebsanleitung  
Traktor-Rasenmäher
  - GB** Product Illustrations for the  
Original Operating Instructions  
Lawn Tractor
  - F** Illustrations du produit pour le  
mode d'emploi d'origine  
Tracteur tondeuse

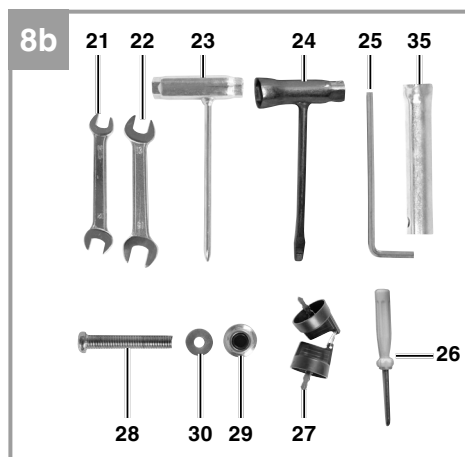
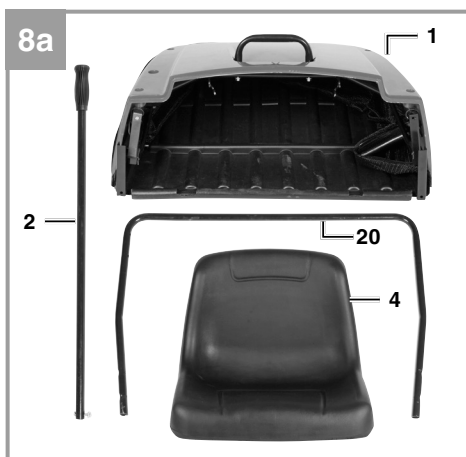
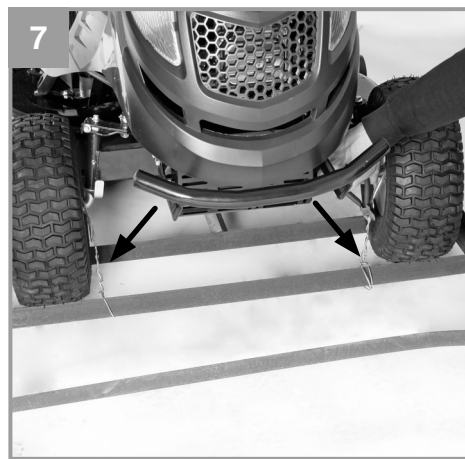
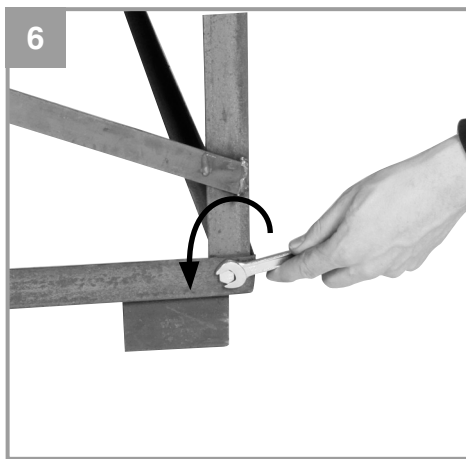
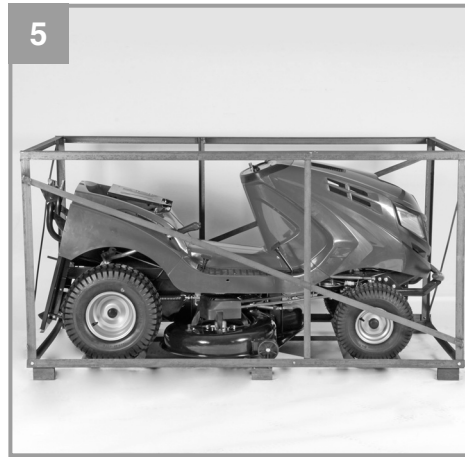
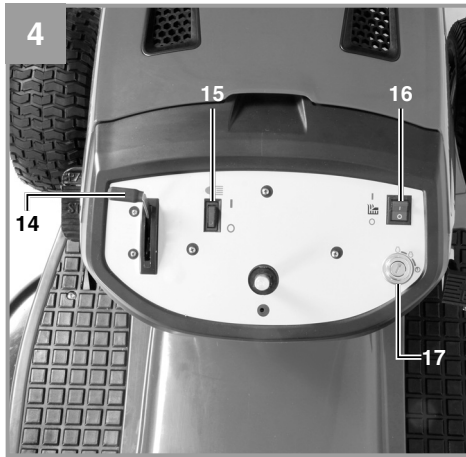
**7 CE**

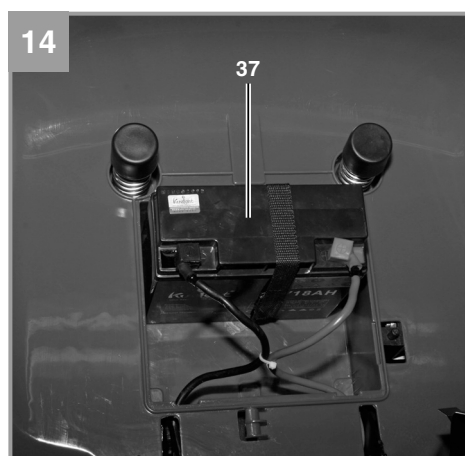
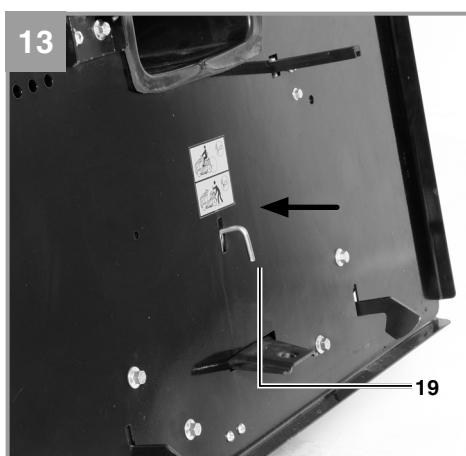
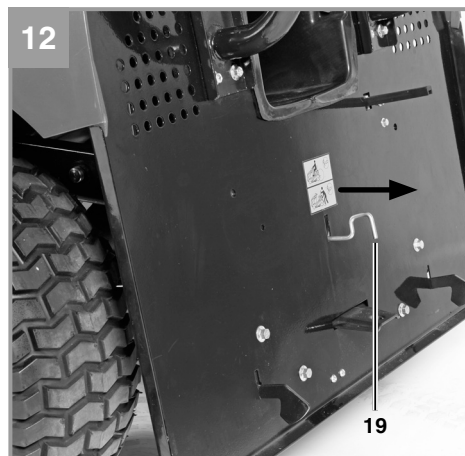
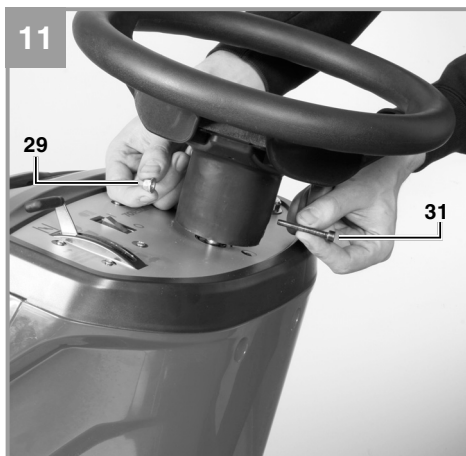
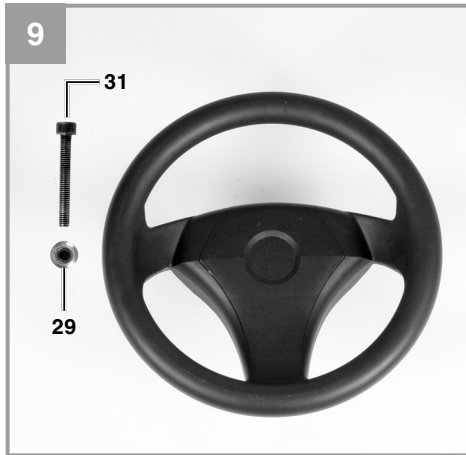
---

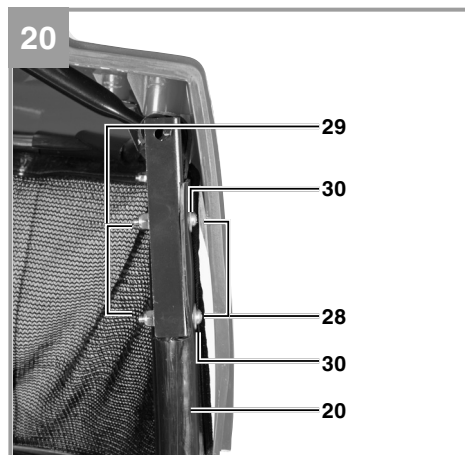
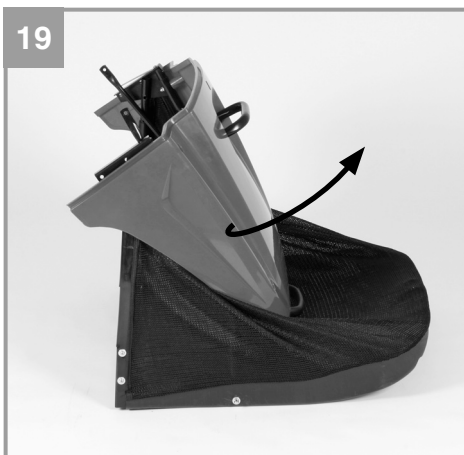
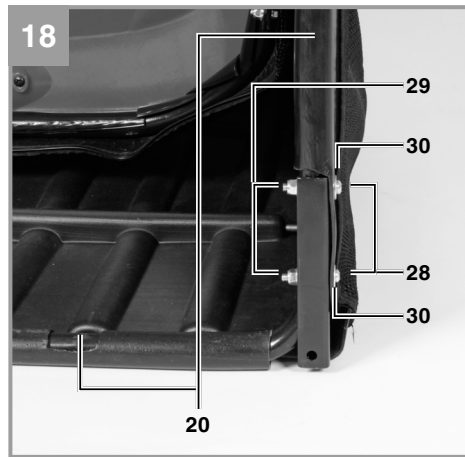
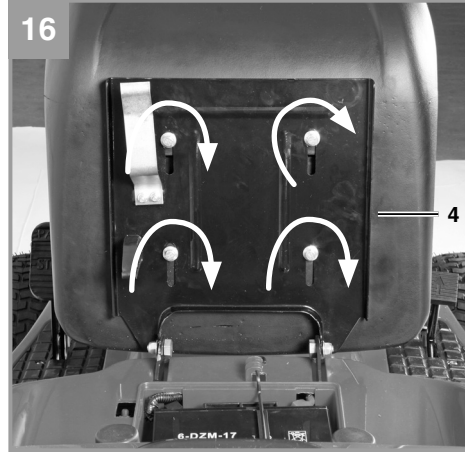
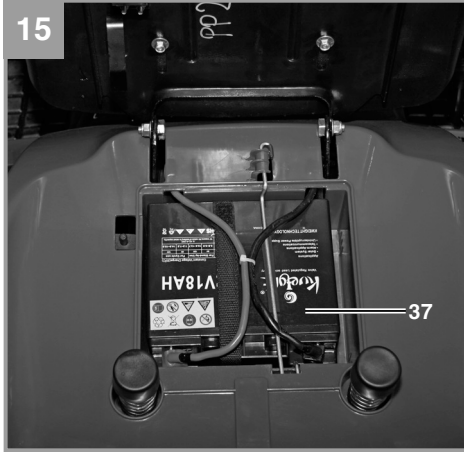
**Art.-Nr.: 34.006.20**

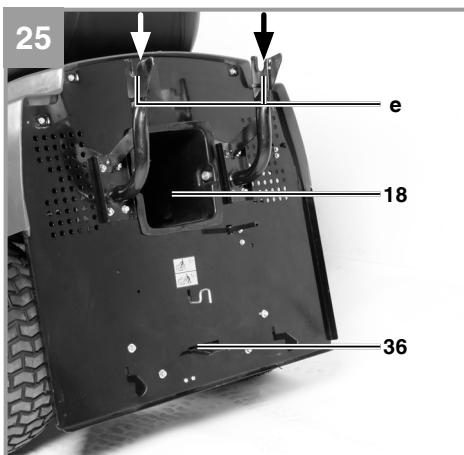
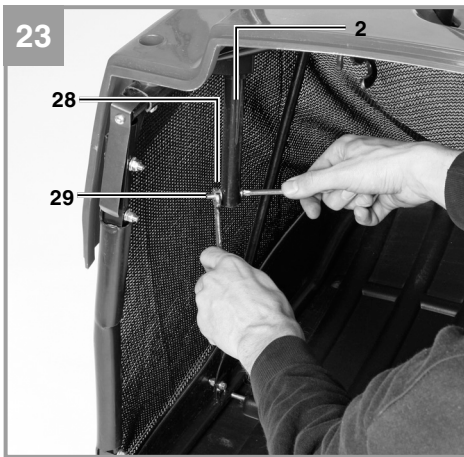
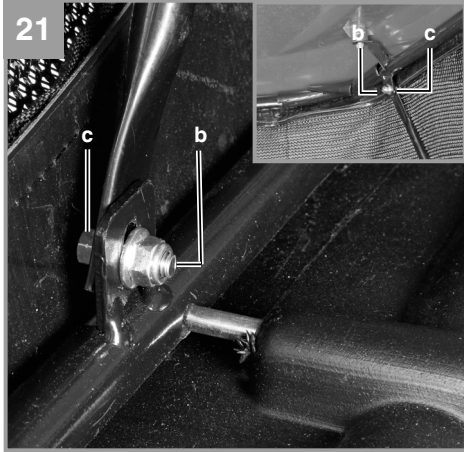
**I.-Nr.: 11054**

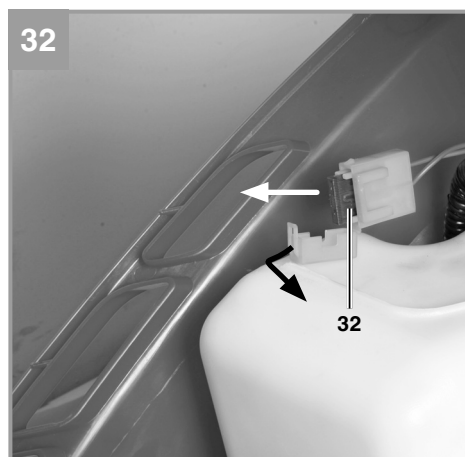
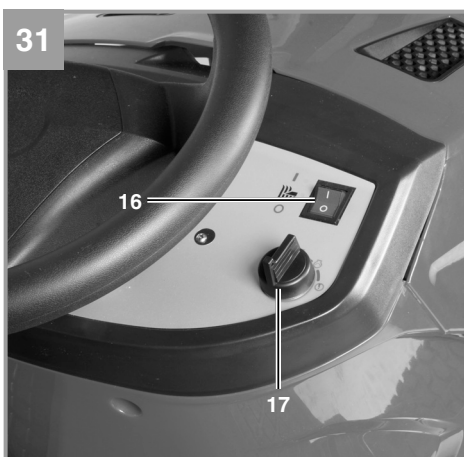
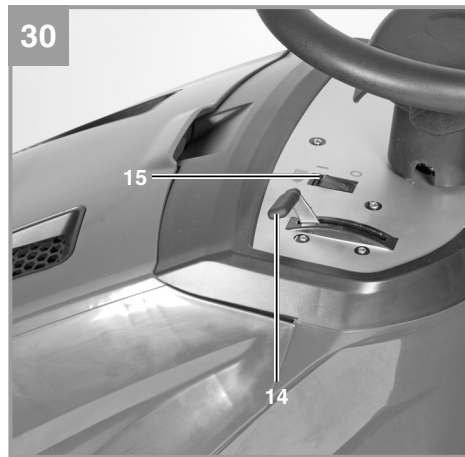
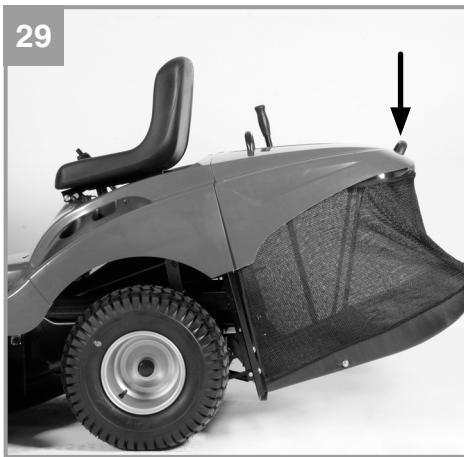
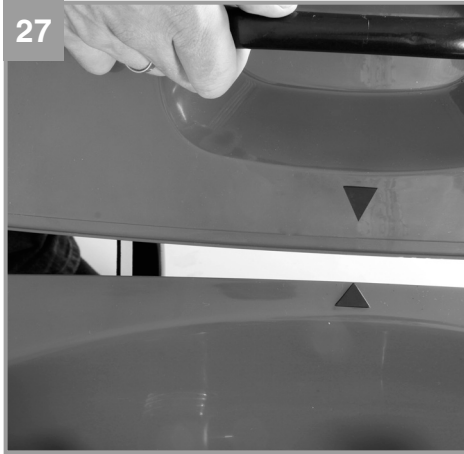


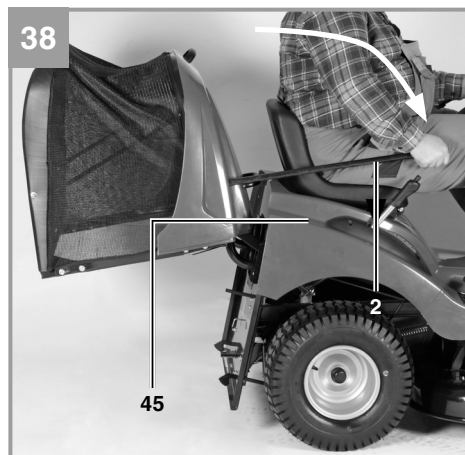
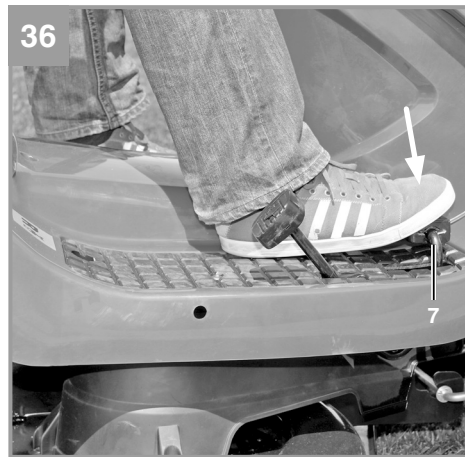
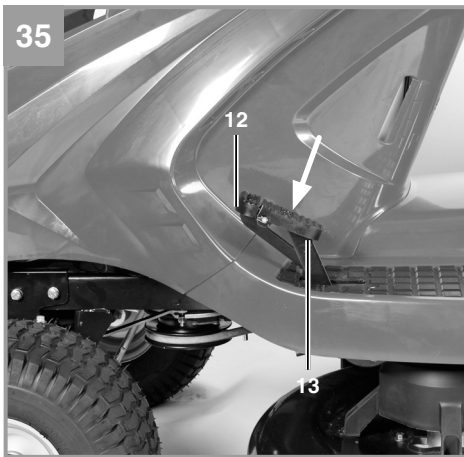
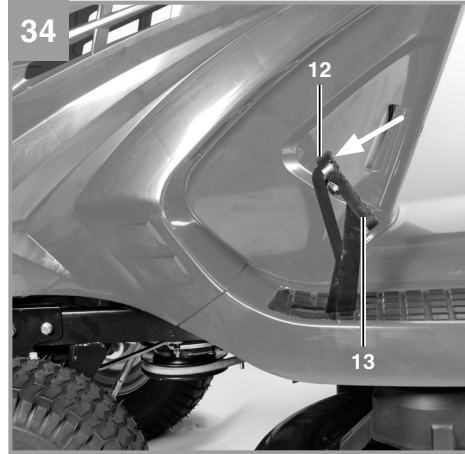
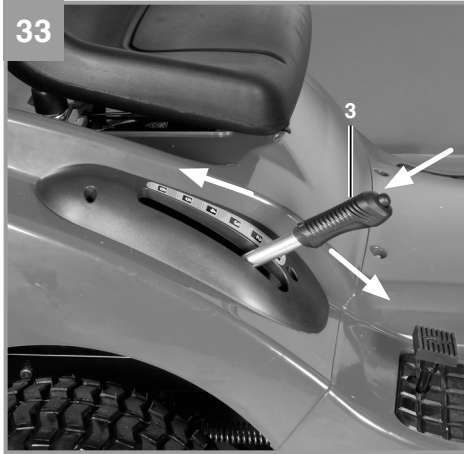




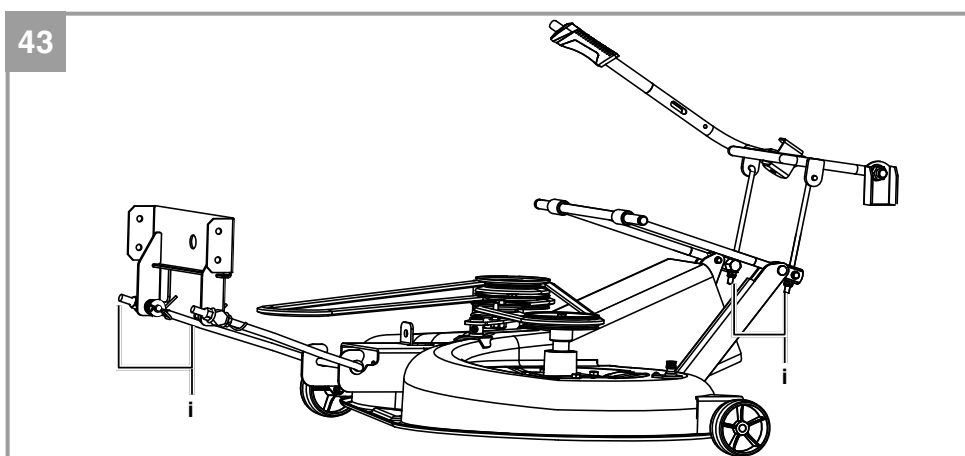
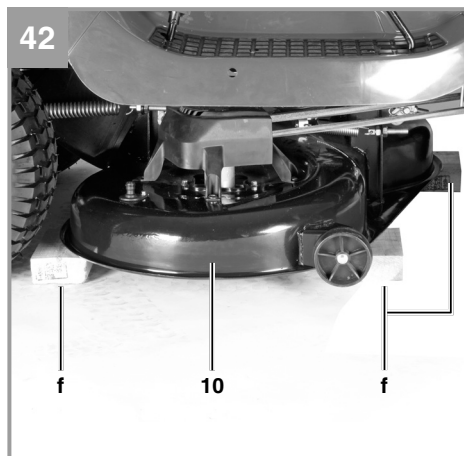
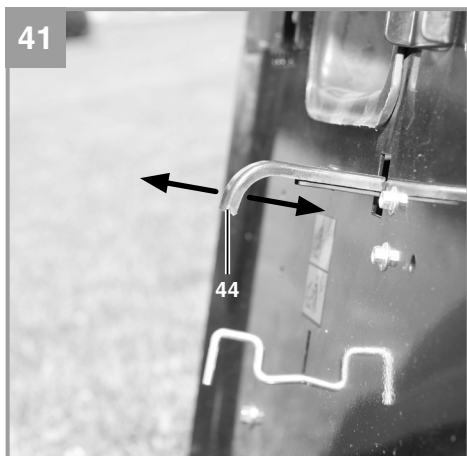
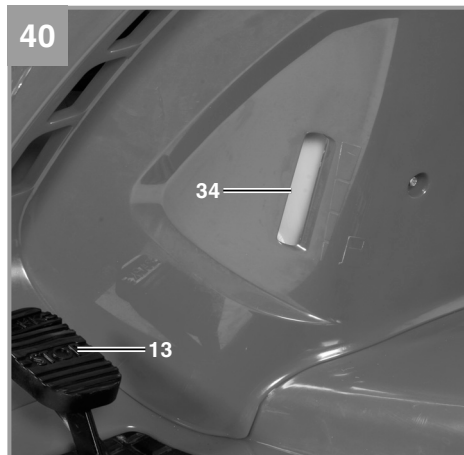
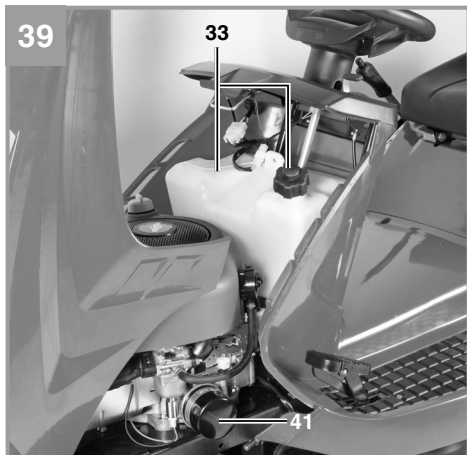


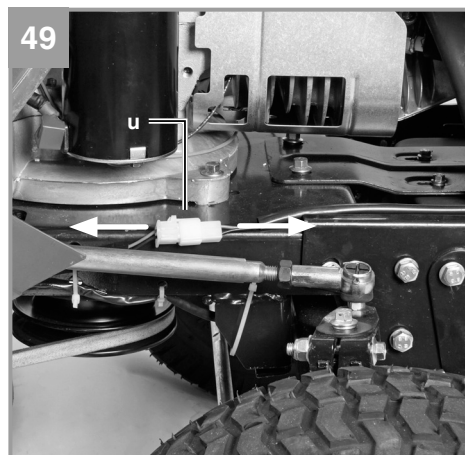
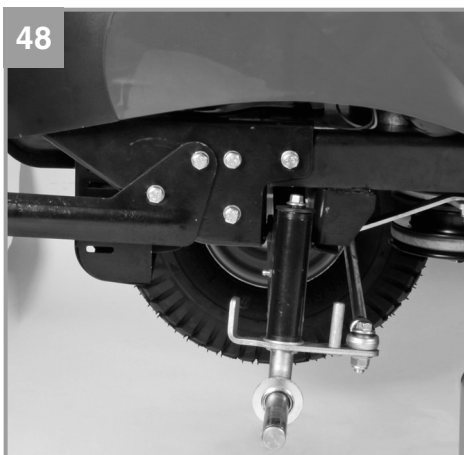
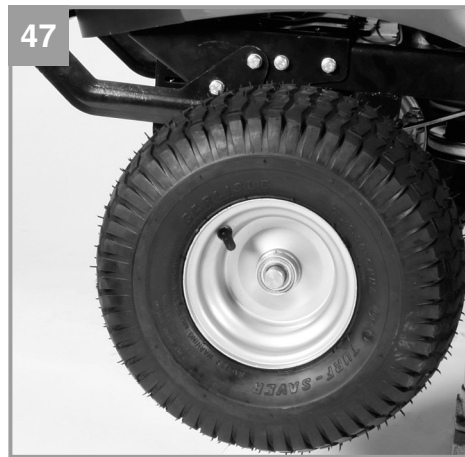
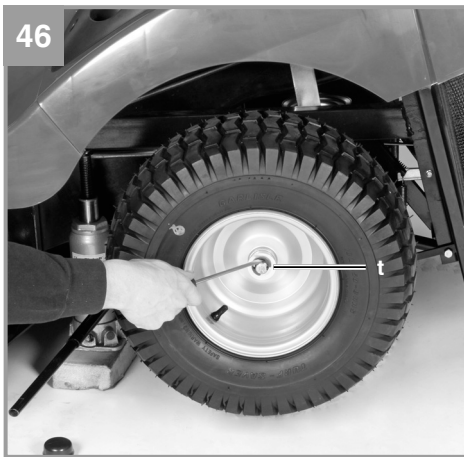


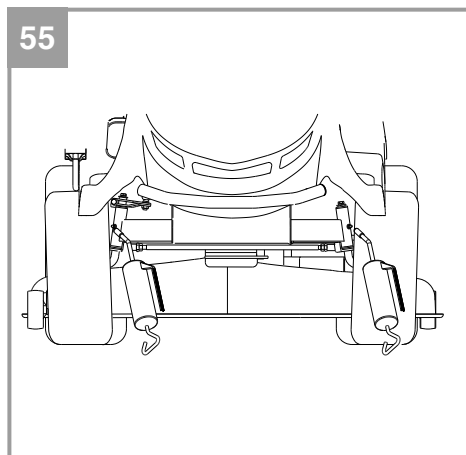
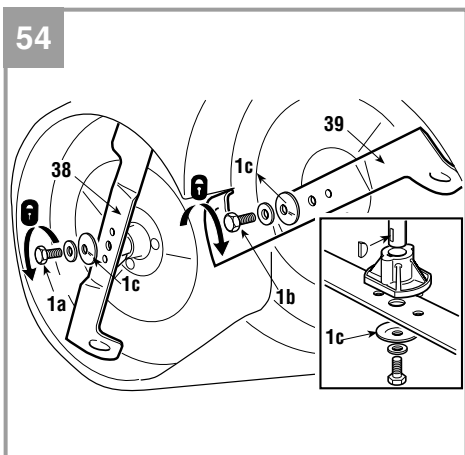
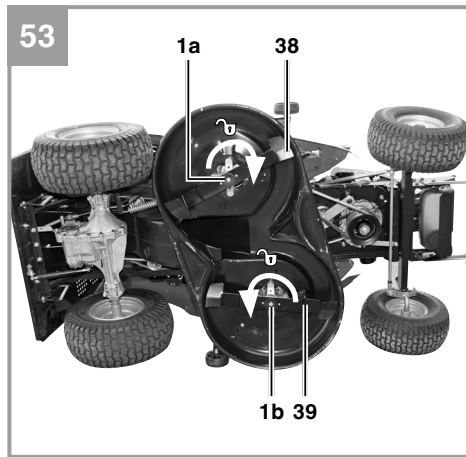
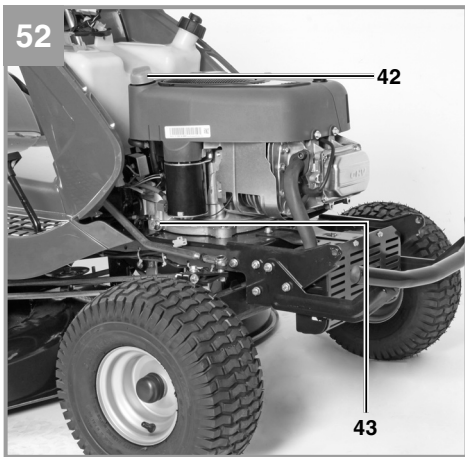
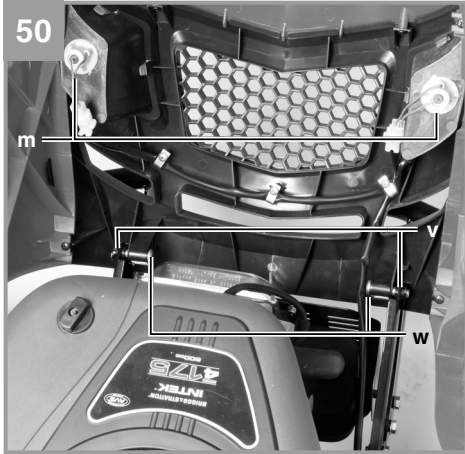


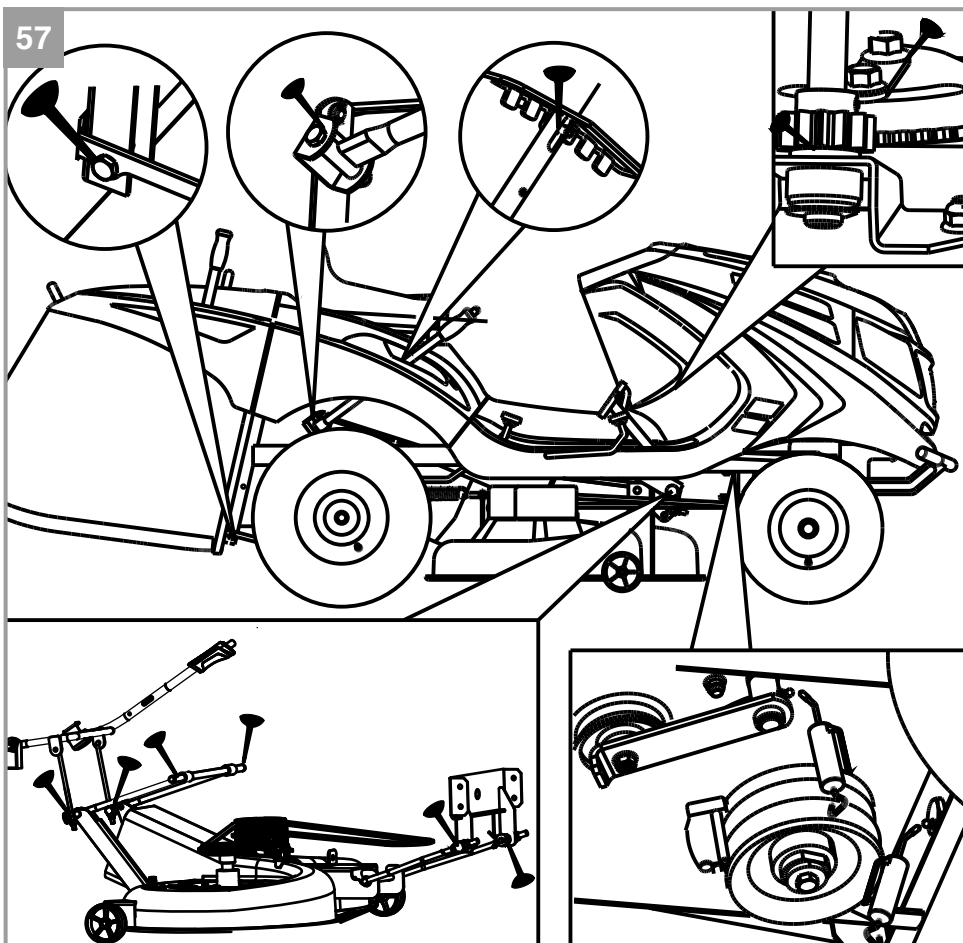
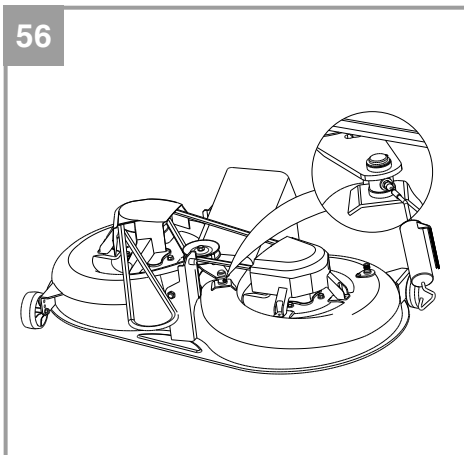














Two horizontal lines are positioned to the right of the pencil illustration. Below these, there are 25 additional horizontal lines, evenly spaced, extending across the width of the page. These lines are intended for writing or drawing.



Two horizontal lines are positioned to the right of the pencil's tip, serving as a starting point for writing. Below these, there are 20 additional horizontal lines spaced evenly down the page, providing a template for handwriting practice.





EH 12/2014 (02)

