

GARDENLINE®

1200W Rake and Scarifier

Operating Instructions - User Guide

After Sales Support

Now you have purchased a Gardenline® product you can rest assured in the knowledge that as well as your 3 year parts and labour guarantee you have the added peace of mind of dedicated helplines and web support.

AFTER SALES SUPPORT



GB 0151 649 1500
IRE 1890 946244



www.einhell.co.uk

MODEL: GLSA 1231, 61307, 08/2014



Contents

Page

3	Welcome
4-7	General Information and Safety Instructions
8-14	Assembly and Parts List
15	Features
16-19	Instructions
20-24	Useful information
25	FAQ
28	Warranty Card



Congratulations!

You have made an excellent choice with the purchase of this quality Gardenline® product.

By doing so you now have the assurance and peace of mind which comes from purchasing a product that has been manufactured to the highest standards of performance and safety, supported by the high quality standards of ALDI.

We want you to be completely satisfied with your purchase so this Gardenline® product is backed by a comprehensive manufacturer's 3 year warranty and an outstanding after sales service through our dedicated Helpline.

We hope you will enjoy using your purchase for many years to come.

If you require technical support or in the unlikely event that your purchase is faulty please telephone our Helpline for immediate assistance. Faulty product claims made within the 3 year warranty period will be repaired or replaced free of charge provided that you have satisfactory proof of purchase (keep your till receipt safe!). This does not affect your statutory rights. However, be aware that the warranty will become null and void if the product is found to have been deliberately damaged, misused or disassembled.

General safety regulations for this electrical tool

IMPORTANT!

When using equipment, a few safety precautions must be observed to avoid injuries and damage. Please read the complete operating manual with due care. Keep this manual in a safe place, so that the information is available at all times. If you give the equipment to any other person, give them these operating instructions as well.

We accept no liability for damage or accidents which arise due to non-observance of these instructions and the safety information contained within.

This equipment is not designed to be used by people (including children) with limited physical, sensory or mental capacities or those with no experience and/or knowledge unless they are supervised by a person who is responsible for their safety or they have received instructions from such a person in how to use the equipment safely.

Children must always be supervised in order to ensure that they do not play with the equipment.

Safety instructions for Rake and Scarifier

Before use, check the mains cable and extension cable for signs of damage and aging. If the cable is damaged during operation, disconnect it immediately from the power supply.

Check the machine for signs of damage before use. If unusual vibrations occur during use, switch the machine off immediately and pull the plug. Check the cutters and clean them if necessary. If the machine continues to vibrate, switch it off, disconnect it from the mains supply and get it checked by a service engineer.

The machine must not be tipped whilst it is being started. Both hands must be on the handle when you start the machine.

WARNING!

Do not use the scarifier if the connection cable is damaged or worn. Do not use a damaged cable to connect the machine to the mains supply and do not touch a damaged cable whilst it is connected to the mains. A damaged cable can result in contact with live parts. Do not touch the cutters until the machine has been disconnected from the mains and the cutters have reached a complete standstill.

Keep extension cables away from the cutters. The cutters can damage the cables and result in contact with live parts.

WARNING!

Break the connection with the mains supply (pull the plug out of the socket):

- whenever you leave the machine unattended;
- before releasing a blocked cutter;
- before inspecting or cleaning and before working on the machine;
- if a foreign body has been struck;
- whenever the machine starts to vibrate oddly.

Carefully read the instructions for how to operate the machine safely. We recommend that the machine is only connected to a power supply protected by residual current operated protective device (RCD). The operating current of this device must not exceed 30mA.

NOTE!

- Read the directions with due care. Familiarise yourself with the operator controls and proper operation of the machine.
- Never allow children or other persons who are not familiar with the operating instructions to use this equipment. Contact your local governmental agency for information regarding minimum age requirements for the user.
- Never use the machine in the direct vicinity of persons - especially children - or animals.
- Always keep in mind that the operator or user of the equipment is responsible for accidents or risks involving other persons or their property.

Preliminary measures

- Always wear sturdy, non-slip footwear and long trousers when scarifying. Never scarify when barefoot or in sandals.
- Check the ground on which the equipment will be used and remove all objects that could be caught up or violently flung out.
- Before using the Scarifier and Rake, visually inspect it to ensure that the rake roller, mounting bolts and all moving parts are in good working order (i.e. not worn out or damaged). To prevent any imbalance, replace a worn out Rake or Scarifier roller if required. See 'Changing the Roller' on Page 19.
- If you operate equipment with an ejector at the rear and exposed rear rollers without a debris device, you must wear full eye protection at all times.
- Wear hearing and eye protection whilst operating the machine.

Before each use, check the equipment for possible damage. The equipment should not be used if it is damaged, and must not be used until it has been attended to by a specialist or service centre personnel.

Safety components must be checked for damage before each use, and if any damage is present, must be replaced by a specialist or service centre personnel.

IMPORTANT!

The Lawn Scarifier (Lawn ventilator) must not be used if any connections are damaged or worn out.

IMPORTANT!

Do not connect a damaged cable to the power supply and do not touch the cable before it is disconnected from the power supply. A damaged cable may result in contact with active parts.

IMPORTANT!

Do not touch the teeth before the equipment is disconnected from the power supply and the teeth have reached a complete standstill.

IMPORTANT!

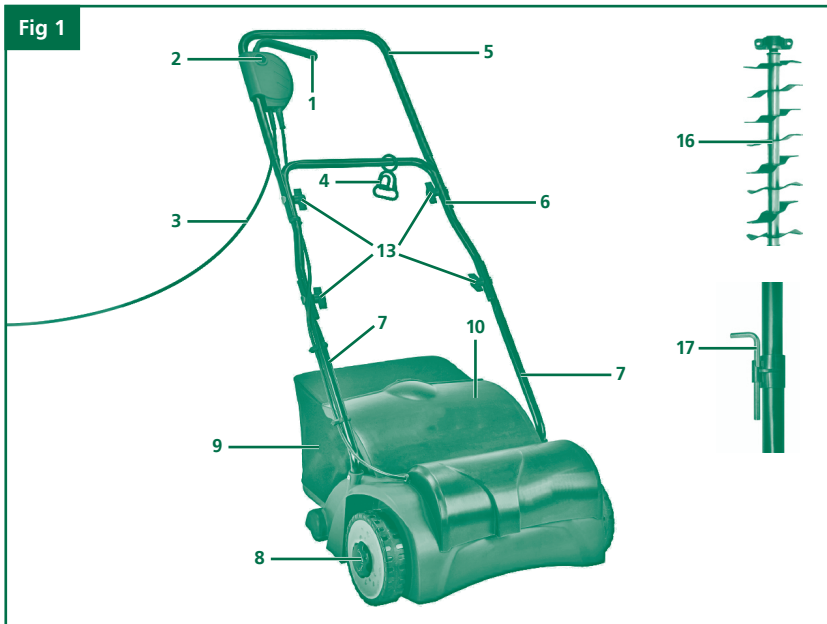
Keep the extension cables away from the teeth. The teeth could damage the cables and lead to contact with active parts.

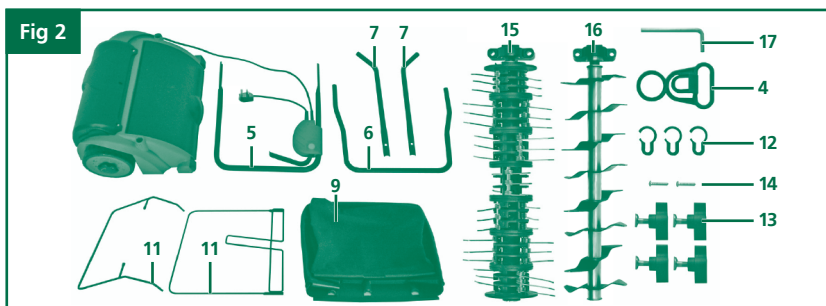
Handling

- A Only use the equipment in broad daylight or in well-lit conditions;
- B If possible, the equipment should not be used on damp grass, but if this cannot be avoided, take special care to ensure that you do not slip;
- C Always maintain good footing on slopes;
- D Only operate the equipment at a walking pace;
- E Always guide the equipment across slopes, never straight up or down;
- F Be particularly careful when you change direction on a slope;
- G Do not work on overly steep slopes;
- H Be particularly careful when you turn the equipment around or pull it toward yourself;
- I Stop the tools if the equipment has to be tipped to one side for transport purposes. Stop the tools if you cross any surfaces other than grass and whilst transporting the equipment from and to the area on which you wish to use it;
- J Never use the equipment with damaged or missing safety devices, e.g. without deflector plates and/or the grass collecting device;
- K Do not adjust or overlock the engine speed settings;
- L Uncouple all tools and drive units before you start the engine;
- M Use the ON/OFF switch with caution, according to the manufacturer's advice. Make sure that your feet are far enough away from the tool(s).
- N Do not tilt the equipment when you start the engine, unless the equipment must be raised off of the ground a little, in order to start it. In this case, tilt it as little as absolutely necessary and only raise the side opposite to that of the user;
- O Do not start the motor if you are positioned in front of the chute;
- P Never move your hands or feet toward or under any rotating parts. Keep clear of the chute opening at all times;
- Q Never lift or carry the equipment with the engine running.

Layout (see Fig. 1-2)

- 1 ON/OFF switch
- 2 Safety lock-off
- 3 Power cable
- 4 Cable grip
- 5 Top push bar
- 6 Lower push bar
- 7 Push bar bracket
- 8 Scarifying depth
- 9 Grass basket
- 10 Ejector flap
- 11 Frame parts for grass basket
- 12 Cable clips
- 13 Fastening screws for push bar
- 14 Retaining screws for push bar
- 15 Rake roller
- 16 Scarifier roller
- 17 Hexagon Allen Key





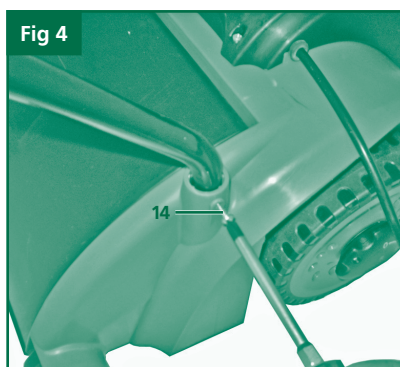
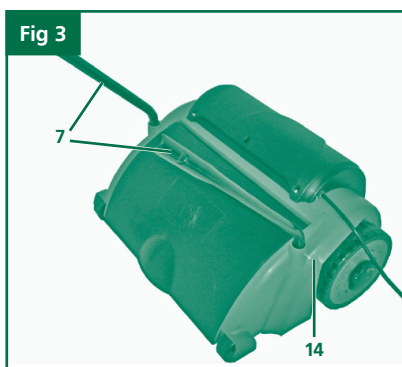
Assembling the scarifier

Before starting the equipment

The scarifier is delivered unassembled. The grass basket and the complete push bar must be assembled and mounted before using the scarifier. Follow the operating instructions step-by-step and use the pictures provided as a visual guide to easily assemble the machine.

Fitting the push bar brackets (see Figs. 3 & 4)

Insert the push bar brackets (Fig. 3/Item 7) into the provided openings (Fig. 4). Then fasten the brackets with the retaining screws (Fig. 4/Item 14).



Fitting the lower push bar (see Fig. 5)

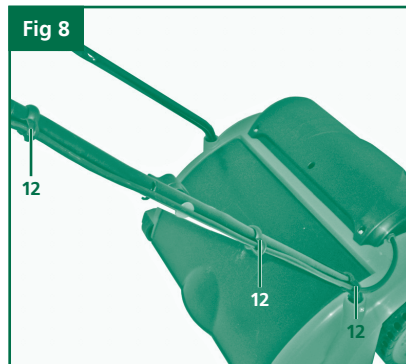
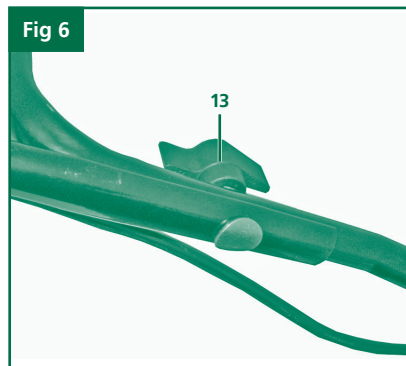
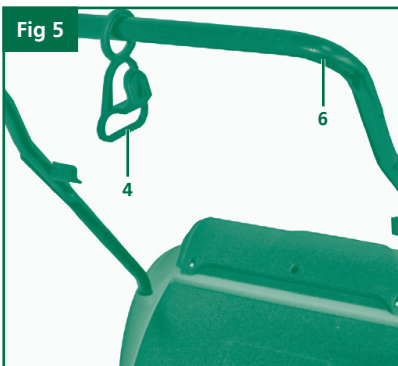
- Slide the lower push bar (Fig. 5/Item 6) over the push bar brackets. Do not forget to slide the stress-relief clip (Fig. 5/Item 4) onto the tube beforehand.
- Screw the tubes together, using the screws supplied (Fig. 6/Item 13).

Fitting the upper push bar (see Figs. 6-8)

- Position the upper push bar (Fig. 1/Item 5) such that its holes line up with the holes of the lower bar.

IMPORTANT!

Please ensure that the ejector flap can be opened and closed easily!

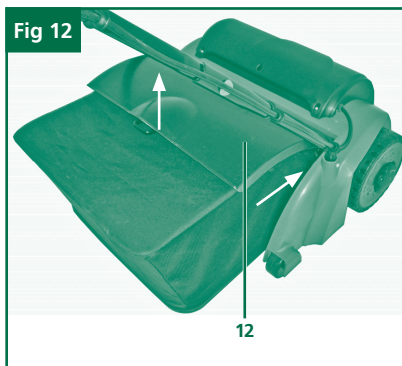
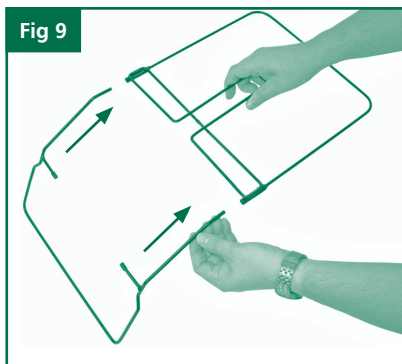


Assembling the grass basket (see Figs. 9-12)

- Push both frame parts into each other (Fig. 9).
- Pull the grass basket over the metal frame (Fig. 10).
- Pull the rubber clips over the metal frame (Fig. 11).
- To hang the grass basket on the scarifier you must lift the ejector flap (Fig. 12/Item 12) with one hand and with the other hand take hold of the grass bag by the handle and hook it onto the scarifier from above (Fig. 12).

IMPORTANT!

Before you hook the grass basket to the scarifier you must ensure that the motor is switched off and the cutting unit is not rotating.



Adjusting the scarifier depth (see Fig. 13)

The scarifier depth is adjusted at both front wheels via the adjustment mechanism. For this, pull out the adjusting screw and turn the wheel to the left or right into one of the available positions (0 / I / II / III). Align the numbers at the 12:00 o'clock position.

IMPORTANT!

The scarifier depth must always be identically set on both sides!

0 = drive/transport position

I = scarifier depth 3 mm

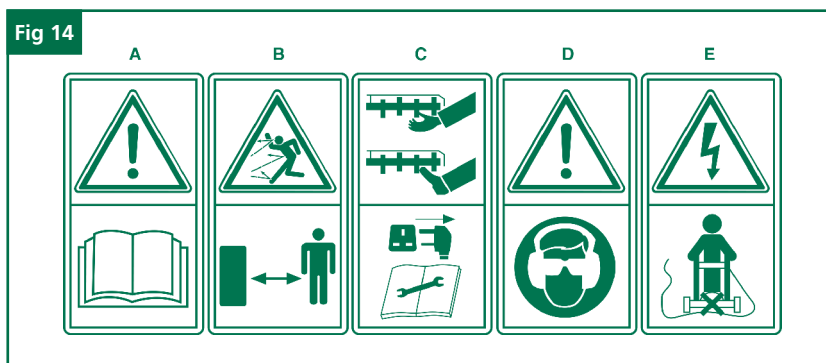
II = scarifier depth 7 mm

III = scarifier depth 9 mm



Explanation of the warning signs on the equipment (see Fig. 14)

- A **IMPORTANT!**
Read the directions for use before operating the tool.
- B Keep other persons (and animals) away from the danger zone.
- C Sharp blades - Do not cut your fingers or toes! Switch off the device and pull the power plug before engaging in any maintenance/cleaning work or if the cable is tangled or damaged. Keep the power cable away from the cutting unit.
- D Wear hearing and eye protection.
- E Keep the power cable away from the roller.



Proper use

The equipment can be used both as a scarifier and an rake depending on your requirements. Only a few simple operations are required to change the roller. The scarifying roller is designed for ripping moss and weeds - complete with their roots - out of the soil and for loosening the soil. As a result your lawn can absorb nutrients better and is purged of unwanted growth. We recommend that you scarify your lawn in the spring (April) and autumn (October).

The aerating roller scratches the surface of the lawn, helping water to drain off more easily as well as promoting oxygen intake. Aerate your lawn throughout the growing period.

IMPORTANT!

Due to the high risk of bodily injury to the user, the equipment may not be used to grind up branch or hedge clippings. Moreover, the equipment may not be used as a power cultivator to level out high areas such as mole hills.

Scarifiers for private use are machines whose annual operating time generally does not exceed 10 hours, during which the machine is primarily used to maintain small-scale, residential lawns and home/hobby gardens. Public facilities, sporting halls, and agricultural/forestry applications are excluded.

The operating instructions as supplied by the manufacturer must be kept and referred to in order to ensure that the equipment is properly used and maintained. The instructions contain valuable information on operating, maintenance and servicing requirements.

The equipment is intended for private use i.e. for use in home and gardening environments.

For safety reasons, the scarifier may not be used as a drive unit for other equipment of any kind, unless specifically advised to do so by the manufacturer.

The equipment is to be used only for its prescribed purpose. Any other use is deemed to be a case of misuse. The user / operator and not the manufacturer will be liable for any damage or injuries of any kind caused as a result of such misuse.

PLEASE NOTE!

Our equipment has not been designed for use in commercial, trade or industrial applications. Our warranty will be voided if the machine is used in commercial, trade or industrial businesses or for equivalent purposes.

Power cable

Please only use power cables that are not damaged. The total length of the power cable should not exceed 50 metres; going beyond this distance will reduce the power output of the electric motor. The power cable must have a cross-section of $3 \times 1.5 \text{ mm}^2$. The insulating sheath of scarifier power cables is frequently damaged.

Some of the causes for this are:

- Damage from running over the cable with the scarifier
- Pinching when the power cable is dragging under doors and pulled through windows
- Cracking due to old age of the insulation
- Kinking by improperly fastening or guiding the power cable

The power cables must, at the very minimum, be of type HO5RN-F and 3-core. The cable type must be printed somewhere on the power cable. Only purchase power cables that are marked as such!

Plugs and socket couplers for the power cables must be made from rubber and be splash-proof. There is a limit to how long power cables can be. Longer power cables require larger conductor cross-sections.

Power cables and connecting lines must be regularly checked for damage. Ensure that the lines are de-energized before checking them. Completely unwind the power cable. Also check power cable entry points, plugs and socket couplers for kinks.

WARNING!

For your added protection we recommend that the mains outlet used for the Scarifier is equipped with an RCD (Residual Current Device). The operating current of this device must be no greater than 30mA.

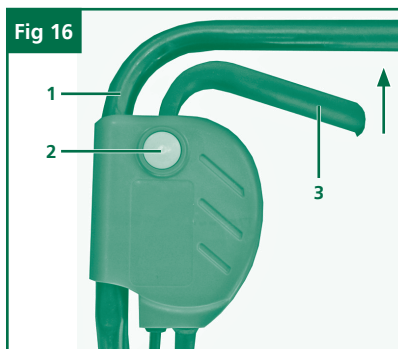
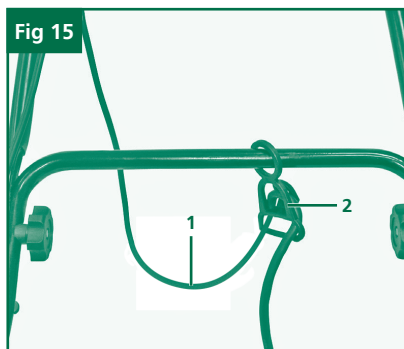
Operation

Secure the power cable (Fig 15/Item 1) with the stress-relief clip (Fig 15/Item 2) and then connect the machine's power plug to an outdoor power socket.

IMPORTANT!

To prevent accidental start-up of the equipment, the push-bar (Fig. 16 / Item 1) is equipped with a safety lock-off (Fig. 16 / Item 2) which must be pressed before the lever switch (Fig. 16 / Item 3) can be operated. If the lever switch is released, the equipment switches off.

Before using the scarifier switch the unit on as described above and then switch off, releasing the lever. Repeat this process several times so that you are sure that the machine functions properly. Before you perform any repair or maintenance work on the machine, ensure that the cutting unit is not rotating and that the power supply is disconnected.



IMPORTANT!

Never open the ejector flap when the motor is running. A rotating cutting unit can cause injuries.

Always close the ejector flap carefully. The flap flips back to the 'Closed' position by the tension springs!

Always ensure that a safe distance (provided by the long handles) is maintained between the user and the housing. Be especially careful when scarifying and changing direction on slopes and inclines.

Maintain a solid footing and wear sturdy, non-slip footwear and long trousers. Always scarify along the incline (not up and down).

For safety reasons, the scarifier may not be used to scarify inclines whose gradient exceeds 15 degrees.

Use special caution when backing up and pulling the scarifier (tripping hazard)!

Tips for proper working

It is recommended that you overlap scarifying paths a little.

Try to scarify in straight lines for a nice, clean look. In so doing, the aeration swathes should always overlap each other by a few centimetres in order to avoid bare strips.

As soon as grass clippings start to trail the scarifier, it is time to empty the grass basket.

IMPORTANT!

Before taking off the grass basket, switch off the motor and wait until the roller has come to a stop.

To remove the grass basket, lift up the ejector flap with one hand, while unhooking the basket with the other.

How frequently you should scarify your lawn is determined primarily by the speed at which the grass grows and the hardness of the soil.

Keep the underside of the equipment clean and remove soil and grass build-up. Deposits make it more difficult to start the rake and decrease the quality of the scarifying.

Always scarify along inclines (not up and down). Switch off the motor before doing any checks on the roller.

IMPORTANT!

The roller rotates for a few seconds after the motor is switched off. Never attempt to stop the roller. In the event that the rotating roller strikes an object, immediately switch off the equipment and wait for the roller to come to a complete stop. Then inspect the condition of the roller. Replace any parts that are damaged (see page 18).

Lay the power cable on the ground in loops in front of the power outlet. Scarify away from the power outlet and cable, making sure that the power cable always trails in the already scarified grass so that the equipment does not travel over the cable.

Cleaning, maintenance and ordering of spare parts

Always pull out the mains power plug before starting any cleaning work.

Cleaning

- Keep all safety devices, air vents and the motor housing free of dirt and dust as far as is possible. Wipe the equipment with a clean cloth or blow it with compressed air at low pressure.
- We recommend that you clean the device immediately each time you have finished using it.
- Clean the equipment regularly with a moist cloth and some soft soap. Do not use cleaning agents or solvents; these could attack the plastic parts of the equipment. Ensure that no water can seep into the device.

Maintenance

- A worn out or damaged cutting unit should be replaced by an authorised expert (see address on the warranty certificate).
- Take care that all fastening elements (screws, nuts, etc.) are firmly tightened, so that you can work safely with the scarifier.
- Allow the motor to cool before you put the equipment in an enclosed area.
- To avoid the risk of fire, keep the ventilation openings free from grass, straw, moss leaves and similar materials.
- Make regular checks on the grass collecting device for wear or damaged parts.
- Check the equipment at regular intervals and replace worn or damaged parts for your own safety.
- Store the scarifier in a dry place.
- For longer life, all screw-fastened parts, such as wheels and axles should be cleaned and subsequently oiled.
- Regular servicing of the scarifier not only secures longer life and performance, but also contributes to an accurate and simple scarification of your lawn.
- At the end of the season, carry out a general check of the scarifier, and remove all residue collected. Before the start of every season, it is absolutely necessary to check the state of the scarifier. Contact our Customer Service (see address on the warranty certificate) if repair work is necessary.

Changing the roller (see Figures 17-20)

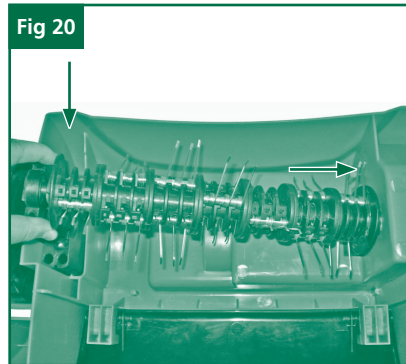
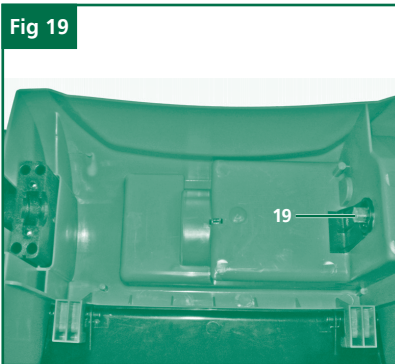
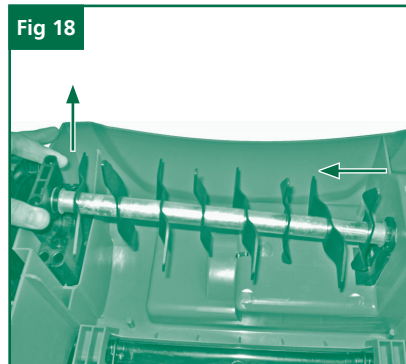
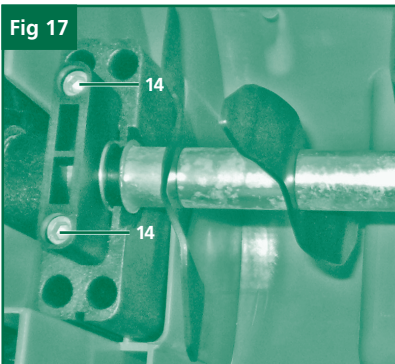
IMPORTANT!

Wear work gloves!

Only replace the roller with a genuine replacement roller, as this will ensure top performance and safety under all conditions.

Carry out the following steps to change the roller:

- Remove the two Allen screws (Fig. 17/Item 14) using the Allen Key (Item 17).
- Lift the roller on this side and pull out in the direction of the arrow (Fig. 18).
- Now slide the new roller in the direction of the arrow (Fig. 20) onto the square-ended drive (Fig. 19/Item 19) and press into the holder (Fig. 20).
- Refasten the roller with the two Allen screws (Fig. 17/Item 18).



Useful Information

Carbon brushes

In case of excessive sparking, have the carbon brushes checked only by a qualified electrician.

IMPORTANT!

The carbon brushes should not be replaced by anyone but a qualified electrician.

Replacing the power cable

If the power cable for this equipment is damaged, it must be replaced by the manufacturer or its aftersales service or similarly trained personnel to avoid danger.

Maintenance

There are no parts inside the equipment which require additional maintenance

Re-ordering replacement parts

Please quote the following data when ordering replacement parts:

- Type of machine (GLSA 1231)
- Article number of the machine (34.205.08)
- Identification number of the machine (11014)
- Replacement part number of the part required:
 - Article number of the replacement aerating unit (34.055.70)
 - Article number of the replacement cutting unit (34.055.80)

For our latest prices and information please go to www.einhell.co.uk

Useful Information



Disposal and recycling

The unit is supplied in packaging to prevent its being damaged in transit. This packaging is raw material and can therefore be reused or can be returned to the raw material system.

The unit and its accessories are made of various types of material, such as metal and plastic. Defective components must be disposed of as special waste. Ask your dealer or your local council.

Technical data

Voltage	230-240 V ~ 50 Hz
Power input	1200W
Cutting width	31 cm
Number of blades (Scarifier)	8 double blades
Number of claws (Rake)	42
Scarifying depth	-3 / 3 / 7 / 9 mm
Sound pressure level L_{pA}	85 dB(A)
Sound power level L_{WA}	99 dB(A)
Vibration at the handlebars	2.71 m/s ²
K uncertainty	1.5 m/s ²
Protection class	II/□
Protection type	IPX4
Weight	11.3kg

Keep the noise emissions and vibrations to a minimum

Only use appliances which are in perfect working order.

- Service and clean the appliance regularly.
- Adapt your working style to suit the appliance.
- Do not overload the appliance.
- Have the appliance serviced whenever necessary.
- Switch the appliance off when it is not in use.
- Wear protective gloves and ear defenders.



For EU countries only

Never place any electric tools in your household refuse.

To comply with European Directive 2002/96/EC concerning old electric and electronic equipment and its implementation in national laws, old electric tools have to be separated from other waste and disposed of in an environment-friendly fashion, e.g. by taking to a recycling depot.

Recycling alternative to returning electrical devices: As an alternative to returning the electrical device, the owner is obliged to cooperate in ensuring that the device is properly recycled if ownership is relinquished. This can also be done by handing over the used device to a returns centre, which will dispose of it in accordance with national commercial and industrial waste management legislation. This does not apply to the accessories and auxiliary equipment which are included with the used device.



Fault	Possible cause	Remedy
The motor does not start.	No voltage present.	Check the power cord and fuses.
	Power cord defective.	Check power cord.
	Switch, switch/plug block defective.	Have machine checked by an electrician or service centre.
	Connections to motor or capacitor disconnected.	Have machine checked by an electrician or service centre.
	Housing clogged.	If necessary adjust working depth. Clean housing so that the roller can run freely.
Engine performance drops.	Soil is too firm.	Change working depth.
	Housing clogged.	Clean housing.
	Roller badly worn.	Replace roller.
Imprecise scarifying result.	roller worn.	Replace roller.
	Wrong working depth.	Correct working depth.
Motor is running, roller is not rotating.	Toothed belt is torn.	Have machine checked by an electrician or service centre.

IMPORTANT!

To protect the motor it is equipped with a thermal overload switch which cuts out when overloaded and starts again automatically after a short cooling-down period.

ISC GmbH · Eschenstraße 6 · D-94405 Landau/Isar

**Declaration of Conformity**

- erklårt følgende Konformität gemäß EU-Richtlinie und Normen für Artikel
 explains the following conformity according to EU directives and norms for the following product
 déclare la conformité suivante selon la directive CE et les normes concernant l'article
 dichiara la seguente conformità secondo la direttiva UE e le norme per l'articolo
 verklaart de volgende overeenstemming conform EU richtlijn en normen voor het product
 declara la siguiente conformidad a tenor de la directiva y normas de la UE para el artículo
 declara a seguinte conformidade, de acordo com a directiva CE e normas para o artigo
 attesterer følgende overensstemmelse i medfør af EU-direktiv samt standarder for artikel
 förklarar följande överensstämmelse enl. EU-direktiv och standarder för artikeln
 vakuuttaa, että tuote täyttää EU-direktiivin ja standardien vaatimukset
 tõendab toote vastavust EL direktiivile ja standarditele
 vydává následující prohlášení o shodě podle směrnice EU a norem pro výrobek
 potvrjuje sledeću skladnost s smernico EU in standardi za izdelek
 vydáva nasledujúce prehlásenie o zhode podľa smernice EÚ a noriem pre výrobok
 a cikkekhez az EU-irányvonal és Normák szerint a következő konformitást jelenti ki
 deklaruje zgodność wymienionego poniżej artykułu z następującymi normami na podstawie dyrektywy WE.
 декларира съответното съответствие съгласно Директива на ЕС и норми за артикул
 paskaidro šādu atbilstību ES direktīvai un standartiem
 aribūdina šj atlikimā EU reikalavimams ir prekės normoms
 declară următoarea conformitate conform directivei UE și normelor pentru articolul
 δηλώνει την ακόλουθη συμμόρφωση σύμφωνα με την Οδηγία ΕΚ και τα πρότυπα για το προϊόν
 potvrđuje sljedeću usklađenost prema smjernicama EU i normama za artikel
 potvrđuje sljedeću usklađenost prema smjernicama EU i normama za artikel
 potvrđuje sledeću usklađenost prema smernicama EÚ i normama za artikel
 следующим удостоверяется, что следующие продукты соответствуют директивам и нормам ЕС
 проголошує про зазначену нижче відповідність виробу директивам та стандартам ЄС на виріб
 ja izjavuva slednata soobraznost согласно EУ-директивата и нормите за артикли
 Ürünü ile ilgili AB Direktifleri ve normları gereğince aşağıda açıklanan uygunluğu belirtir
 erklærer følgende samsvar i henhold til EU-direktivet og standarder for artikkel
 Lysir uppfyllingū EU-reglana og annarra staðla vöru

Rake and Scarifier GLSA 1231 (Gardenline)

- 87/404/EC_2009/105/EC
 2005/32/EC_2009/125/EC
 2006/95/EC
 2006/28/EC
 2004/108/EC
 2004/22/EC
 1999/5/EC
 97/23/EC
 90/396/EC_2009/142/EC
 89/686/EC_96/58/EC
 2011/65/EC
 2006/42/EC
 Annex IV
 Notified Body:
 Notified Body No.:
 Reg. No.:
 2000/14/EC_2005/88/EC
 Annex V
 Annex VI
 Noise: measured $L_{WA} = 96$ dB (A); guaranteed $L_{WA} = 99$ dB (A)
 $P = 1,2$ kW; $L/O = 31$ cm
 Notified Body:
 2004/26/EC
 Emission No.:

Standard references: EN 60335-1; EN 60335-2-92; EN 13684; EN 62233;
EN 55014-1; EN 55014-2; EN 61000-3-2; EN 61000-3-11

Landau/Isar, den 04.04.2014

Weichselgartner/General Manager

Wang/Product-Management

First CE: 07
Art.-No.: 34.205.08 I.-No.: 11014
Subject to change without notice

Archive-File/Record: NAPR010385
Documents registrar: Scheiff Alexander
Wiesenweg 22, D-94405 Landau/Isar



<p>How do I claim for a warranty matter?</p>	<ol style="list-style-type: none"> 1. Fill in the Warranty card and send to the Einhell UK Ltd Address. 2. Contact Einhell UK Ltd, using one of the Telephone numbers for AFTER SALES SUPPORT. 3. Or contact via the Einhell UK Ltd website
<p>How do I obtain spare parts (not covered by the warranty)?</p>	<p>Make sure you have the information from the product data label, or page 20 of the manual, and then: -</p> <ol style="list-style-type: none"> 1. Contact Einhell UK Ltd, using one of the Telephone numbers for AFTER SALES SUPPORT, and choose the option for Spare Parts. 2. Or contact via the Einhell UK Ltd website, where spares information & prices are available.
<p>What do I do if I accidentally cut the mains cable?</p>	<p>To avoid danger, immediately unplug from the mains supply and get an electrician or suitably qualified person to: -</p> <ol style="list-style-type: none"> 1. Fit a waterproof connector to re-join the cable. 2. Or replace the mains cable into the unit





GARDENLINE®

1200W Rake and Scarifier

IMPORTANT!

KEEP THIS FORM SAFE: Only complete and return this form to the address below in the unlikely event of a warranty claim, if you are requested by the manufacturer to return the item for replacement. Then please complete this form and send it together with your receipt (proof of purchase) to the address below.

Your details:

Name _____

Address _____



_____ Email _____

Date of purchase* _____

*We recommend you keep the receipt with this warranty card

Location of purchase _____

Description of malfunction:

Return your completed warranty card to:

Einhell UK Ltd
Unit 9, Stadium Court
Wirral International Business Park
Plantation Road
Bromborough
CH62 3QG

www.einhell.co.uk/warranty

AFTER SALES SUPPORT



GB 0151 649 1500
IRE 1890 946244



www.einhell.co.uk

MODEL: GLSA 1231, 61307, 08/2014

Monday to Thursday 8:45am - 5pm,
Friday 8:45am - 3pm. Calls cost 10p
per minute from a landline, calls from
mobiles may vary.

3

YEAR WARRANTY