

- Ⓒ **Original operating instructions
Hot-air generator**
- Ⓕ **Mode d'emploi d'origine
Générateur d'air chaud**
- Ⓖ **Originele handleiding
Heteluchtgenerator**
- Ⓔ **Manual de instrucciones original
Generador de aire caliente**
- Ⓘ **Istruzioni per l'uso originali
Generatore d'aria calda**
- Ⓗ **Eredeti használati utasítás
Hőlégbefúvó**
- ⒼⒸ **Оригинално упътване за употреба
Генератор за горещ въздух**
- ⒸⒶ **Originální návod k obsluze
Horkovzdušný generátor**
- ⒽⒼⒾⒽ **Originalne upute za uporabu
Plinska grijalica s ventilatorom**
- ⒸⒶ **Originálny návod na obsluhu
Plynový ventilátor**

Einhell®

7

CE 0085

Art.-Nr.: 23.301.31

I.-Nr.: 11032

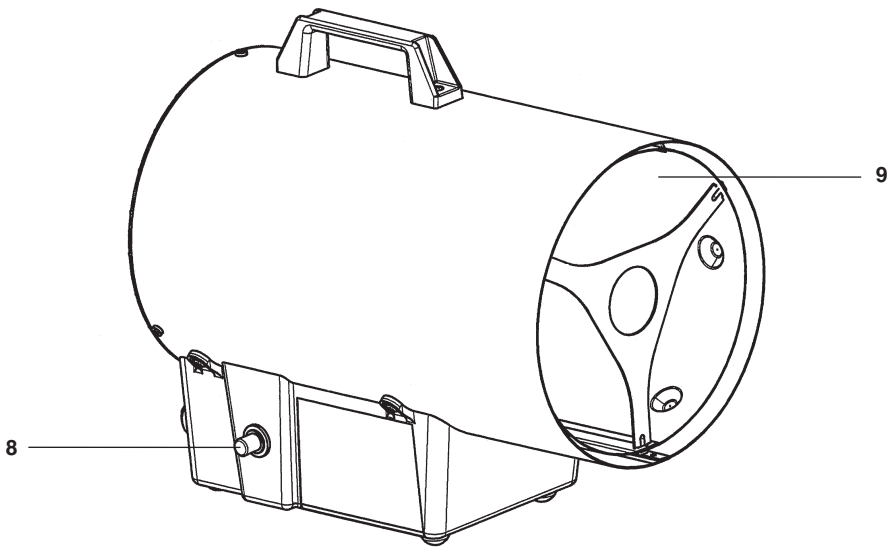
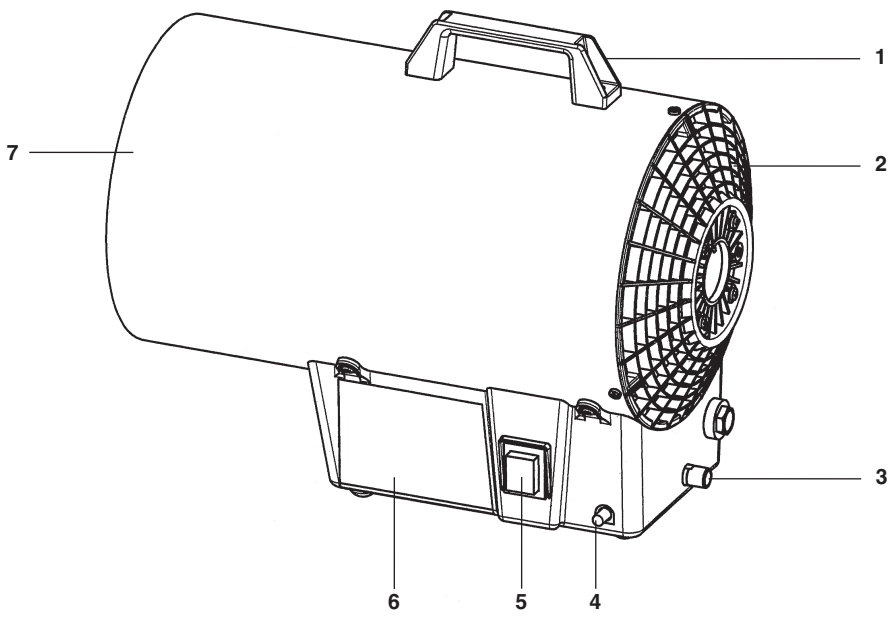
HGG 110 Niro

Art.-Nr.: 23.304.36

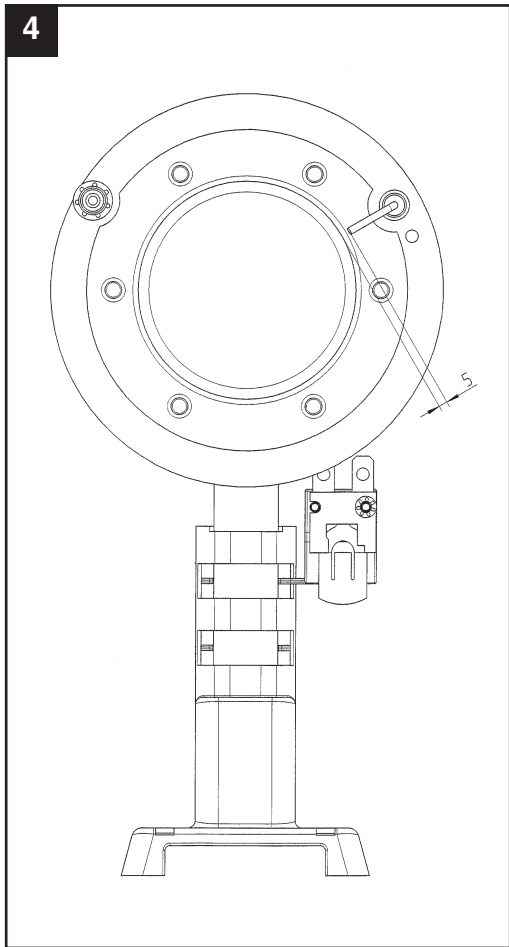
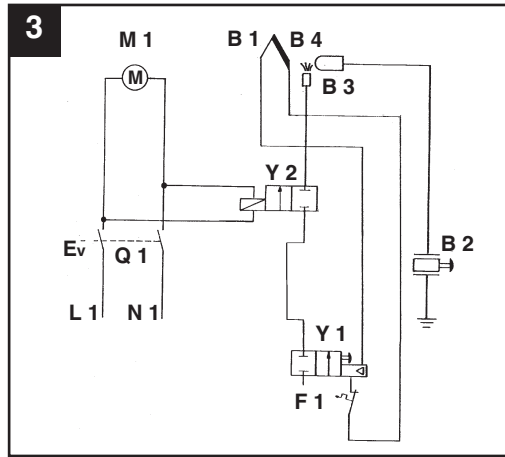
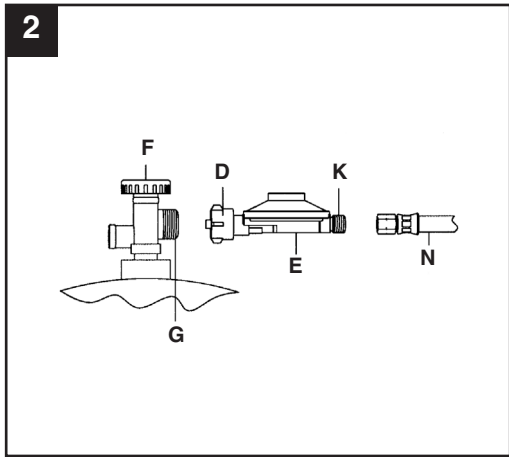
I.-Nr.: 11032

HGG 171 Niro

1



2



GB

1. Introduction

⚠ Important.

When using the equipment, a few safety precautions must be observed to avoid injuries and damage. Please read the complete operating instructions and safety information with due care. Keep these operating instructions in a safe place so that the information is available at all times. If you give the equipment to any other person, hand over these operating instructions and the safety information as well. We cannot accept any liability for damage or accidents which arise due to a failure to follow these instructions and the safety information.

2. Safety information

⚠ CAUTION

Read all the safety information and instructions. Any errors made in following the safety information and the instructions set out below may result in an electric shock, fire and/or serious injury.

Keep all safety information and instructions in a safe place for future use.

2.1 General safety information

- Read the operating instructions before you use the gas fan heater.
- The gas fan heater must be installed in compliance with the regulations in force in your country and as described in these instructions.
- Position the power cable so that there is no danger of tripping over it.
- Do not pass the power cable over hot parts of the equipment during operation.
- Never use the power cable to pull the power plug out of the socket-outlet! Never use the power cable to carry the gas fan heater or try to move it by pulling.
- Never wind the power cable around the gas fan heater.
- Never jam the power cable between objects or pull the cable over sharp edges or

position the cable over hot plates or open flames.

- Never immerse the gas fan heater in water – **danger of fatal accident!**
- Never use the gas fan heater with wet hands.
- Never open the gas fan heater and touch live parts – **danger of fatal accident!**
- Position the gas fan heater in such a way that the power plug is accessible at all times.
- Do not position the gas fan heater directly below a socket-outlet.
- If the gas fan heater is not used for a lengthy period of time, pull out the power plug and remove the gas cylinder! Observe all the information in this manual.
- Do not insert any foreign objects into the equipment's openings – danger of electric shock and damage to the equipment.
- If the power cable for this equipment is damaged, it must be replaced by the manufacturer or its after-sales service or by similarly trained personnel to avoid danger.
- To prevent damage from the effects of heat, do not place any heat-sensitive objects near the gas fan heater.
- Do not touch the housing and safety guards during operation – risk of burns.

2.2 Equipment-specific safety information

- Observe the technical regulations concerning liquid gas which are in force in your country (in Germany: TRF).
- You are allowed to operate the gas fan heater only when it is fully assembled.
- The air inlet grille and the air outlet opening must not be reduced in size and must not be covered over – risk of fire -
- Never place the gas cylinder in front of the gas fan heater while it is in operation – risk of fire -
- The gas fan heater must not be operated on an easily combustible surface- risk of fire -
- Operate the gas fan heater on a flat, level, incombustible and stable surface.
- The gas fan heater is designed for private use only.
- The rooms in which the equipment is used must be well ventilated.

HGG 110 Niro: Ventilation openings with a total area of at least 280 cm² must be provided. A minimum room size of 112 m³ is compulsory.

HGG 171 Niro: Ventilation openings with a total area of at least 450 cm² must be provided. A minimum room size of 170 m³ is compulsory.

- The gas fan heater must never be used in basements or in rooms below ground level.
- The gas fan heater must not be used to heat inhabitable rooms in residential buildings. Usage in public buildings must comply with the regulations in force in your country!
- Do not use the gas fan heater in leisure vehicles such as caravans, motor homes and boats.
- No persons are allowed to remain in the room where the equipment is being used.
- Do not use the gas fan heater in rooms in which there is already a gas cylinder.
- The gas fan heater must not be operated near other heaters (minimum distance 1 m), inflammable materials or explosive materials.
- The gas fan heater must be set up with the following safety distances between its housing and combustible materials or walls: 2 m at the air intake end, 3 m at the air discharge end, 1 m at the sides, 1.50 m at the top.
- Do not move the gas fan heater when it is in operation.
- After the gas fan heater has been in use and each time before you move it, close the valve on the liquid gas cylinder.
- Use only the gas types and the liquid gas cylinders specified by the manufacturer.
- The liquid gas cylinder must be changed in a well ventilated area away from naked flames (candles, cigarettes or other equipment with a naked flame). The gas cylinder valve must be closed for this purpose.
- Check that the seal on the pressure regulator is fitted correctly and that it can perform its function.
- If there is a gas leak, do not use the gas fan heater. If it is already in use, the gas supply must be shut off and the gas fan heater must

be inspected and repaired before it can be used again.

- In the event of a leak, close the shut-off valve on the gas cylinder immediately and open the doors and windows.
- If you smell gas, do not switch any lights on or off, actuate no other electrical switches and do not use a telephone or mobile phone in the danger area.
- If you smell gas, do not use a naked flame (e.g. a lighter or match) and do not smoke.
- Check the hose lines (gas hose) at least once a month and every time you change the liquid gas cylinder. If the hose lines show signs of becoming brittle or any other damage, you must replace them with new hoses of the same length and quality.
- The gas hose must be replaced within the specified periods (see section 8.2).
- Check that the seal on the cylinder valve is in good condition and is actually fitted. Do not use additional seals.
- Liquid gas cylinders must be protected from direct sunlight and must be stored only in an upright position.
- The gas fan heater may be used only with a connected pressure regulator with the maximum output pressure as set in the factory and indicated on the rating plate.
- Do not kink or twist the gas hose.
- **Install and ignite in strict adherence to the instructions.**
- If the equipment cannot be left in a safe condition to run unattended, switch it off.

This equipment is not designed to be used by people (including children) with limited physical, sensory or mental capacities or those with no experience and/or knowledge unless they are supervised by a person who is responsible for their safety or they have received instructions from such a person in how to use the equipment safely.

Children must always be supervised in order to ensure that they do not play with the equipment.

GB

3. Layout (Fig. 1)

- 1 Carry handle
- 2 Air inlet grille
- 3 Gas connection thread
- 4 Gas valve button
- 5 ON/OFF switch
- 6 Base
- 7 Housing
- 8 Piezo ignition knob
- 9 Air outlet opening

4. Items supplied

- Open the packaging and take out the equipment with care.
- Remove the packaging material and any packaging and / or transportation braces (if available).
- Check to see if all items are present.
- Inspect the equipment and accessories for transport damage.
- If possible, keep the packaging until the end of the guarantee period.

IMPORTANT

The equipment and packaging material are not toys! Do not let children play with plastic bags, foils or small parts! There is a danger of swallowing or suffocating!

- Gas fan heater
- Carry handle with 2 screws
- Gas hose
- Pressure regulator 300mbar
- Original operating instructions

5. Intended use

The gas fan heater is designed solely for heating, structural drying and thawing purposes in well ventilated rooms and outdoors.

HGG 110 Niro: Well ventilated rooms have ventilation openings with a total area of at least 280 cm². A minimum room size of 112 m³ is compulsory.

HGG 171 Niro: Well ventilated rooms have ventilation openings with a total area of at least 450 cm². A minimum room size of 170 m³ is compulsory.

The gas fan heater must never be used in basements or in rooms below ground level. This gas fan heater is not designed for household use.

The gas fan heater may be used only for its intended purpose. Any other use is deemed to be a case of misuse. The user/operator and not the manufacturer will be liable for any damage or injuries of any kind which result from such misuse.

Please note that our equipment has not been designed for use in commercial, trade or industrial applications. Our warranty will be voided if the equipment is used in commercial, trade or industrial businesses or for equivalent purposes.

6. Before starting the equipment

6.1. Fitting the carry handle (Fig. 1)

Use a cross-tip screwdriver and the provided screws to screw the carry handle (1) to the housing (7).

6.2 Connecting to the gas cylinder (Fig. 2)

6.2.1 Parts required

The following parts are required to connect the gas fan heater to the gas cylinder:

- A conventional 5 kg or 11 kg (max. 13 kg) gas cylinder.
- A pressure regulator compliant with EN

13785 for 300mbar operating pressure, max. 1.5 kg/h, for the gas cylinder used (supplied).

- A sufficiently long hose line compliant with EN 1763-1 (max. 1.0 m) which can be fitted without kinking (supplied).
- A wrench size 17.
- Approved leak spray or foaming agent.

Important. Follow the safety information (section 2)

Note: The gas cylinder must be set up in such a way that the hose line is not kinked or twisted, is not subjected to tension and does not touch any hot areas of the gas fan heater.

6.2.2 Making the connections

1. (Fig. 1) Use a wrench size 17 to connect the gas hose to the gas connection thread (3) of the gas fan heater. Tighten the connection.
2. (Fig. 2) Connect the union nut (D) of the pressure regulator (E) to the cylinder valve thread (G) by turning it counter-clockwise. Do not use any tools – the cylinder valve gasket could be damaged, resulting in a leak.
3. (Fig. 2) Connect the hose line (N) to the pressure regulator output thread (K) with a suitable wrench size 17, turning it counter-clockwise. To tighten, you must hold a second wrench of the correct size on the pressure regulator (faces are provided on the pressure regulator for this purpose) in order to stop the regulator being turned or to stop too much force being transferred. Tightening the connection as just described will prevent leaks.
4. Use a leak tester to check all the connections under operating pressure. If no bubbles form, the connection is not leaking. It is prohibited to conduct a leak test with a naked flame. Porous or damaged hose lines and fittings must be replaced immediately.

6.2.3 Replacing the gas cylinder (Fig. 2)

Important. Read the safety information

1. The liquid gas cylinder must be changed in a well ventilated area or outdoors away from naked flames (candles, cigarettes, other

- devices with a naked flame, etc.).
2. Close the cylinder valve (F)
3. Undo the union nut (D) on the pressure regulator
4. Take the pressure regulator (E) off the cylinder
5. Screw a guard cap onto the cylinder valve thread (G)
6. Connect the new cylinder as described in section 6.2.2

7. Using the equipment

7.1 Starting up

Notes:

- Before starting up the gas fan heater and in particular after a lengthy period of non-use, check the gas carrying parts for blockages caused by insects, etc. If the gas pipes are blocked, a dangerous flashback may occur.
- Do not start up the gas fan heater until you are certain that the gas hose and its connections are not leaking (see section 7.1.1).
- Check that the voltage supply is the same as the voltage details on the rating plate.
- If a leak develops during operation, close the gas cylinder valve immediately and open all the windows and doors.

7.1.1 Testing for leaks

With the gas cylinder valve open and the pressure regulator closed, spray leak detection spray on all the screw connections you have made in order to check for leaks. If there is a leak, bubbles will form at this position. In this case close the cylinder valve immediately and re-tighten the screw connections. Then check for leaks again. If the leak remains after several attempts, please contact Customer Service.

7.1.2 Switching on the gas fan heater (Fig. 1)

Important. When you switch on the gas fan heater, always stand behind or on the side of the equipment and never in front of the air outlet opening – risk of burns.

GB**Notes:**

- Do not move the gas fan heater when it is in operation
 - The gas fan heater becomes hot when it is in operation – risk of burns.
1. Insert the power plug into the power socket-outlet.
 2. Open the gas valve on the gas cylinder.
 3. Switch on the ON/OFF switch (5) and check whether the fan behind the air inlet grille (2) is running and whether air is being blown out through the air outlet opening (9).
 4. Let the fan run for at least 30 seconds and press the gas valve button (4) and the piezo ignition (8) simultaneously. If necessary, press the piezo ignition (8) several times while you continue to hold the gas valve button (4). After ignition, keep the gas valve button (4) pressed for another 10 seconds.

If the gas fan heater stops burning after you let go of the gas valve button, you must allow the fan to continue running for at least another 1 minute before repeating the ignition operation. This is vital in order to disperse the gas completely.

Notes:

- If ignition is difficult or irregular, be sure to check the air throughput before you start the equipment again. The fan must not be blocked and the air inlet end and/or air outlet end must not be covered.
- Lengthy and extreme use can be accompanied by excessive evaporation with icing (hoar frost) on the gas cylinder. In this case connect a new or bigger gas cylinder to the equipment.

7.2 Shutting down**7.2.1 Switching off the gas fan heater**

1. Close the cylinder valve.
2. Allow the fan to continue running for at least another 2 minutes in order to cool the gas fan heater.
3. Press the ON/OFF switch (5) to switch off the fan.
4. Pull the power plug out of the socket-outlet.
5. Disconnect the pressure regulator from the

gas cylinder.

8. Cleaning, maintenance and ordering of spare parts**8.1 Cleaning**

- Before carrying out any cleaning and maintenance work, the gas fan heater must be turned off, disconnected from the power supply and cooled down.
- Then disconnect the pressure regulator with gas hose from the gas cylinder.
- Use a damp cloth to clean the casing.
- Remove dust with a vacuum cleaner or with careful use of compressed air.

8.2 Maintenance

- Repairs and maintenance work on the equipment may be carried out only by authorized gas fitters.
- Only original spare parts are allowed to be used for repairs.
- Check the power cable at regular intervals for signs of defects or damage.
- A damaged power cable may be replaced only by an electrician or ISC GmbH in compliance with the relevant regulations.
- Check the hose lines (gas hose) at least once a month and every time you change the liquid gas cylinder. If the hose lines show signs of becoming brittle or any other damage, you must replace them with new hoses of the same length and quality.
- After lengthy periods of non-use and each time after any maintenance and repairs you must check that everything is in good working order. This includes testing all the gas carrying connections for leaks (e.g. with leak detection spray or soap solution) and performing an electrical safety test in accordance with VDE 0701.

8.3. Ordering spare parts

Please provide the following information on all orders for spare parts:

- Model/type of the equipment
- Article number of the equipment
- ID number of the equipment
- Part number of the required spare part

For our latest prices and information please go to www.isc-gmbh.info

9. Storage

9.1 Equipment

Store the equipment and its accessories out of children's reach in a dark and dry place at above freezing temperature. The ideal storage temperature is between 5 and 30 °C. Store the equipment in its original packaging.

9.2 Liquid gas cylinder

- Never store the liquid gas cylinder inside the house, in rooms below ground level or in non-ventilated areas!
- The valves on the liquid gas cylinder must have valve guard caps and lock nuts.
- Gas cylinders must be stored upright, even when they are empty.

10. Connection diagram (Fig. 3)

Q1 ON/OFF switch
 F1 Fuse-thermostat
 M1 Fan motor
 Y1 Thermoelectrical ignition guard (gas valve)
 Y2 Safety solenoid valve
 B1 Thermal element
 B2 Piezo ignition
 B3 Ignition electrode
 B4 Burner

11. Technical data

HGG 110 Niro:

Rated thermal load:	max. (Hi) 11,2 kW
Air throughput:	500 m ³ /h
Gas consumption:	G 30: 815 g/h
Equipment category:	I3P
Country of destination:	UK/IE
Type of gas:	Standard propane
Operating pressure P:	300 mbar (propane)
Mains connection:	230 V ~ 50 Hz, 0.17 A, 38 W
Temperature class:	57°C

HGG 171 Niro:

Rated thermal load:	max. (Hi) 17 kW
Air throughput:	500 m ³ /h
Gas consumption:	G 30: 1340 g/h
Equipment category:	I3P
Country of destination:	UK/IE
Type of gas:	Standard propane
Operating pressure P:	300 mbar (propane)
Mains connection:	230 V ~ 50 Hz, 0.17 A, 38 W
Temperature class:	75°C

12. Disposal and recycling

The equipment is supplied in packaging to prevent it from being damaged in transit. The raw materials in this packaging can be reused or recycled. The equipment and its accessories are made of various types of material, such as metal and plastic. Defective components must be disposed of as special waste. Ask your dealer or your local council!



For EU countries only

Never place any electric power tools in your household refuse.

GB

To comply with European Directive 2002/96/EC concerning old electric and electronic equipment and its implementation in national laws, old electric power tools have to be separated from other waste and disposed of in an environment-friendly fashion, e.g. by taking to a recycling depot.

13. Troubleshooting

If the equipment is operated properly you should experience no problems with malfunctions or faults. In the event of any malfunctions or faults, please check the following before you contact your customer services.

Fault	Possible cause	Remedy
The fan does not run	– No electricity	– Check the power plug, – Check the voltage supply, if necessary replace the power cable
The equipment does not ignite	– Defective ignition cable – Loose ignition cable – The distance between the electrode and the burner is too big	– Check the ignition cable, replace if necessary*. – Check the ignition cable, connect securely if necessary*. – Set the distance to 5 mm* (see Fig. 4).
No gas flow	– Gas cylinder empty – Gas cylinder valve closed – Safety valve in the equipment has still not released the gas	– Replace the gas cylinder – Open the valve. – Try again to switch on (see section 7.1.2)
Gas input too high or flame too big	– Pressure regulator defective	– Replace the pressure regulator
The burner flame goes out during operation	– The thermal element is not warm enough – The air inlet and/or air outlet are blocked – No mains voltage – The flame is blown out by wind or a draught	– Try again to switch on (see section 7.1.2) – Clean the air inlet grille, remove obstructions to the air intake, check the fan operation – Check the voltage supply, if necessary replace the power cable – Set up the equipment out of wind and draughts, allow it to cool for several minutes, then try again to switch on (see section 7.1.2)

Important.

* This work must be performed by qualified and approved specialists.

F

1. Introduction

⚠ Attention !

Lors de l'utilisation d'appareils, il faut respecter certaines mesures de sécurité afin d'éviter des blessures et dommages. Veuillez donc lire attentivement ce mode d'emploi/ces consignes de sécurité. Veuillez à les conserver en bon état pour pouvoir accéder aux informations à tout moment. Si l'appareil doit être remis à d'autres personnes, veuillez à leur remettre aussi ce mode d'emploi/ces consignes de sécurité. Nous déclinons toute responsabilité pour les accidents et dommages dus au non-respect de ce mode d'emploi et des consignes de sécurité.

2. Consignes de sécurité

⚠ AVERTISSEMENT

Veillez lire toutes les consignes de sécurité et instructions. Toute omission lors du respect des consignes de sécurité et instructions peut entraîner des décharges électriques, un incendie et/ou de graves blessures.

Conservez toutes les consignes de sécurité et toutes les instructions pour l'avenir.

2.1 Recommandations générales concernant la sécurité

- Avant d'utiliser le générateur d'air chaud à gaz, lisez le mode d'emploi.
- Le générateur d'air chaud à gaz doit être installé en conformité avec les réglementations nationales et en respectant ce mode d'emploi.
- Posez le câble réseau de manière qu'il soit impossible de trébucher dessus.
- Ne passez pas le câble réseau au-dessus des pièces chaudes de l'appareil pendant son fonctionnement.
- Ne débranchez jamais la fiche de contact de la prise en tirant le câble réseau ! Ne portez jamais le générateur d'air chaud à gaz par le câble réseau et ne le déplacez pas en le tirant par le câble.
- Ne jamais enrouler le câble réseau autour

du générateur d'air chaud à gaz.

- Ne coincez jamais le câble réseau, ne le tirez pas au-dessus d'arêtes acérées, de plaques de four brûlantes ni de flammes nues.
- Ne jamais plonger le générateur d'air chaud à gaz dans l'eau - **danger de mort !**
- Ne jamais utiliser le générateur d'air chaud à gaz avec des mains mouillées.
- Ne jamais ouvrir le générateur d'air chaud à gaz et toucher des parties conductrices de tension - **danger de mort !**
- Placer le générateur d'air chaud à gaz de sorte que la fiche de contact soit toujours accessible.
- Ne pas placer le générateur d'air chaud directement sous une prise de courant.
- Si le générateur d'air chaud à gaz reste inutilisé pendant une longue durée, débrancher la fiche de contact et enlever la bouteille de gaz ! Consultez les chapitres correspondants dans ce mode d'emploi.
- Ne pas introduire de corps étrangers dans les ouvertures de l'appareil - risque d'électrocution et d'endommagement de l'appareil.
- Si la ligne de raccordement réseau de cet appareil est endommagée, il faut la faire remplacer par le fabricant ou son service après-vente ou par une personne qualifiée afin d'éviter tout risque.
- Afin d'éviter les dommages dus à la chaleur, il ne faut pas placer d'objets sensibles à la chaleur en face du générateur d'air chaud.
- Ne touchez pas la carcasse et les recouvrements de protection lorsque l'appareil est en fonctionnement - risque de brûlures.

2.2 Consignes de sécurité spécifiques à l'appareil

- Respectez les règles techniques gaz liquéfié.
- Le générateur d'air chaud à gaz ne doit être utilisé que complètement monté.
- La griffe d'aspiration de l'air et l'orifice d'évacuation de l'air ne doivent pas être rétrécis ou recouverts - risque d'incendie -
- Ne placez jamais la bouteille de gaz devant le générateur d'air chaud à gaz - risque

d'incendie -

- Le générateur d'air chaud à gaz ne doit pas être utilisé sur une surface facilement inflammable - risque d'incendie -
 - Le générateur d'air chaud à gaz doit être utilisé sur une surface plate, non inclinée, incombustible et stable.
 - Le générateur d'air chaud à gaz est uniquement destiné à l'usage domestique.
 - Les pièces dans lesquelles l'appareil se trouve, doivent être suffisamment aérées et ventilées.
- HGG 110 Niro: Il faut prévoir des ouvertures d'aération et d'échappement d'au moins 280 cm². La taille minimale de la pièce ne doit pas être en dessous de 112 m³.
- HGG 171 Niro: Il faut prévoir des ouvertures d'aération et d'échappement d'au moins 450 cm². La taille minimale de la pièce ne doit pas être en dessous de 170 m³.
- Le générateur d'air chaud à gaz ne doit pas être utilisé dans des sous-sols ou des endroits inférieurs au niveau du sol (pièces se situant en dessous du niveau du sol).
 - Ne pas utiliser pour le chauffage des parties habitables des locaux domestiques; pour l'utilisation dans des bâtiments publics, voir les réglementation nationales
 - Ne pas utiliser le générateur d'air chaud à gaz dans des véhicules de loisirs tels que les caravanes, les camping-cars ou les bateaux.
 - Il est interdit de séjourner en permanence dans la pièce où est utilisé l'appareil.
 - N'utilisez pas le générateur d'air chaud à gaz dans des pièces où se trouve déjà une bouteille de gaz.
 - Le générateur d'air chaud à gaz ne doit pas être utilisé à proximité d'autres appareils de chauffage (distance minimale 1 m), de matériel inflammable ou explosif.
 - Le générateur d'air chaud à gaz doit être installé de manière à ce que la distance de sécurité entre des matériaux inflammables et des murs et la carcasse de l'appareil soit de 2 m du côté de l'aspiration d'air, de 3 m du côté de la sortie d'air, latéralement de 1 m et en haut de 1,50 m.
 - Le générateur d'air chaud à gaz ne doit pas être déplacé lorsqu'il est en service.
- Avant de déplacer le générateur à air chaud à gaz et après son fonctionnement, il faut fermer le robinet de la bouteille de gaz liquéfié.
 - Utiliser uniquement la sorte de gaz et les bouteilles de gaz liquéfié indiquées par le client.
 - La bouteille de gaz liquéfié doit être remplacée dans une pièce bien aérée, à distance de flammes nues (bougies, cigarettes, autres appareils à flammes nues). Ce faisant, le robinet de la bouteille doit être fermé.
 - Vérifiez que le joint de l'appareil de régulation de pression est bien monté et qu'il peut remplir sa fonction.
 - Dans le cas d'une fuite de gaz, il ne faut pas utiliser le générateur d'air chaud à gaz, ou lorsqu'il est en fonctionnement, il faut fermer l'alimentation en gaz et faire contrôler et réparer le générateur d'air chaud à gaz avant de pouvoir le réutiliser.
 - Dans le cas d'une fuite, il faut fermer la vanne d'isolement de la bouteille de gaz immédiatement et ouvrir les portes et les fenêtres.
 - En cas d'odeur de gaz, n'allumez, ni n'éteignez de lumière, n'actionnez pas d'autres interrupteurs électriques et n'utilisez pas de téléphone, de téléphone sans fil ou de téléphone portable dans la zone de danger.
 - En cas d'odeur de gaz, n'utilisez pas de flamme nue (par ex. briquet, allumettes) et ne fumez pas.
 - Vérifiez les conduites flexibles (tuyau de gaz) au moins une fois par mois et à chaque fois que la bouteille de gaz liquéfié est remplacée. Lorsque les conduites flexibles semblent se fissurer ou montrent d'autres endommagements, elles doivent être remplacées par des conduites flexibles de la même longueur et de même qualité.
 - Le tuyau de gaz est à remplacer dans les délais prescrits.
 - Contrôlez si le joint du robinet de la bouteille est présent et en bon état. Il ne faut pas utiliser de joints supplémentaires.
 - Les bouteilles de gaz liquéfié doivent être protégées des rayons du soleil et stocker

F

uniquement en position debout.

- Le générateur d'air chaud à gaz doit être uniquement utilisé par l'intermédiaire d'un régulateur de pression intercalé avec une pression de sortie autorisée, voir la signalétique de l'appareil et les réglages d'usines.
- Le tuyau de gaz ne doit être ni plié ni tordu.
- Procéder à la mise en service et à l'allumage en respectant obligatoirement le mode d'emploi.
- Si votre appareil ne peut pas être laissé sans surveillance en position sécurisée, éteignez-le.

Cet appareil ne convient pas aux personnes (y compris les enfants) qui en raison de leurs capacités physiques, sensorielles ou intellectuelles ou leur manque d'expérience et/ou de connaissances ne peuvent pas l'utiliser de manière sûre, à moins d'être surveillées et de recevoir les instructions relatives à l'utilisation de l'appareil par une personne responsable de leur sécurité. Surveillez les enfants pour vous assurer qu'ils ne jouent pas avec l'appareil.

3. Description de l'appareil (fig. 1)

- 1 Poignée
- 2 Grille d'aspiration de l'air
- 3 Filetage du raccordement gaz
- 4 Bouton de la vanne du gaz
- 5 Interrupteur marche/arrêt
- 6 Socle
- 7 Carcasse
- 8 Bouton d'allumage piézo
- 9 Orifice de sortie d'air

4. Volume de livraison

- Ouvrez l'emballage et sortez l'appareil de l'emballage avec précaution.
- Retirez le matériel d'emballage tout comme les sécurités d'emballage et de transport (s'il y en a).

14

- Vérifiez si la livraison est bien complète.
- Contrôlez si l'appareil et ses accessoires ne sont pas endommagés par le transport.
- Conservez l'emballage autant que possible jusqu'à la fin de la période de garantie.

ATTENTION

L'appareil et le matériel d'emballage ne sont pas des jouets ! Il est interdit de laisser des enfants jouer avec des sacs et des films en plastique et avec des pièces de petite taille ! Ils risquent de les avaler et de s'étouffer !

- Générateur d'air chaud à gaz
- Poignée de transport avec 2 vis
- Tuyau de gaz
- Régulateur de pression 300mbar
- Mode d'emploi d'origine

5. Utilisation conforme à l'affectation

Le générateur d'air chaud à gaz est uniquement destiné au chauffage, au séchage de bâtiments et au dégivrage dans des pièces bien aérées ou à l'extérieur.

HGG 110 Niro: Pour bien aérer les pièces, il faut prévoir des ouvertures d'aération d'au moins 280 cm². La taille minimale de la pièce ne doit pas être en dessous de 112 m³.

HGG 171 Niro: Pour bien aérer les pièces, il faut prévoir des ouvertures d'aération d'au moins 450 cm². La taille minimale de la pièce ne doit pas être en dessous de 170 m³.

Le générateur d'air chaud à gaz ne doit pas être utilisé dans des sous-sols ou des endroits inférieurs au niveau du sol (pièces se situant en dessous du niveau du sol). Le générateur d'air chaud à gaz est uniquement destiné à l'usage domestique.

L'appareil doit uniquement être utilisé conformément à son affectation ! Toute utilisation allant au-delà de cette affectation est considérée comme non conforme. Pour les dommages en résultant ou les blessures de tout genre, le fabricant décline toute

responsabilité et l'utilisateur/l'opérateur est responsable.

Veillez au fait que nos appareils, conformément au règlement, n'ont pas été conçus pour être utilisés dans un environnement professionnel, industriel ou artisanal. Nous déclinons toute responsabilité si l'appareil venait à être utilisé professionnellement, artisanalement ou par des sociétés industrielles, tout comme pour toute activité équivalente.

6. Avant la mise en service

6.1 Montage de la poignée de transport (fig. 1)

Fixez la poignée de transport (1) à l'aide d'un tournevis cruciforme et des vis joints sur la carcasse (7).

6.2 Raccordement à la bouteille de gaz (fig. 2)

6.2.1 Pièces nécessaires

Pour le raccordement du générateur d'air chaud à gaz à la bouteille de gaz, les pièces suivantes sont nécessaires :

- Bouteille de gaz présente habituellement dans le commerce 5 ou 11 kg, maxi. 13 kg.
- Régulateur de pression certifié selon la norme EN 13785 de 300mbar de pression de travail maxi. 1,5 kg/h convenant pour la bouteille utilisée (comprise dans la livraison).
- Conduite flexible certifiée selon la norme EN 1763-1 de longueur suffisante (maxi. 1,0 m) qui permet un montage sans pliure (comprise dans la livraison).
- Clé à vis, cote sur plats 17.
- Spray détecteur de fuites ou produit moussant reconnu par la DVGW (fédération allemande du secteur du gaz et de l'eau).

Attention ! Respecter les consignes de sécurité (Paragraphe 2)

Remarque : la bouteille de gaz est à installer de sorte que la conduite flexible ne soit pas pliée et tordue, ne soit pas sous tension ou ne touche pas les parties brûlantes du générateur d'air chaud à gaz.

6.2.2 Raccordement

1. (Fig. 1) Branchez le tuyau de gaz en utilisant une clé à vis cote sur plats 17 au filetage de raccordement du gaz (3) du générateur d'air chaud à gaz. Serrez le raccord fileté.
2. (Fig. 2) Raccordez l'écrou chapeau (D) du régulateur de pression (E) au filetage du robinet de la bouteille (G) en tournant vers la gauche à la main. N'utilisez pas d'outils - le joint du robinet de la bouteille peut être endommagé et l'étanchéité ne sera de ce fait plus assurée.
3. (Fig. 2) La conduite flexible (N) se raccorde au filetage de sortie du régulateur de pression (K) en utilisant la clé à vis correspondante cote sur plats 17 vers la gauche. Ce faisant, il faut dans tous les cas contrer la rotation avec un deuxième tournevis de largeur nominale correspondante sur la surface de clé prévue à cet effet du régulateur de pression, afin d'empêcher que le régulateur tourne en même temps ou qu'il y ait un transfert de force non admise. Afin de garantir l'étanchéité, il faut serrer le raccord fileté avec l'outil indiqué précédemment.
4. Il faut contrôler l'étanchéité de tous les points de raccords à l'aide d'un produit de détection des fuites, sous pression de service. S'il ne se forme pas de bulles, cela signifie que l'étanchéité est assurée. Il n'est pas permis de procéder à un contrôle d'étanchéité avec une flamme nue. Les conduites flexibles et armatures poreuses ou endommagées doivent être remplacées immédiatement.

6.2.3 Remplacement de la bouteille de gaz (fig. 2)

Attention ! Respecter les consignes de sécurité

1. La bouteille de gaz liquéfié doit être remplacée dans une pièce bien aérée, à distance de flammes nues (bougies,

F

- cigarettes, autres appareils à flammes nues).
2. Fermer le robinet de la bouteille (F)
 3. Desserrer l'écrou chapeau (D) du régulateur de pression
 4. Enlever le régulateur de pression (E) de la bouteille
 5. Recouvrir le filetage du robinet de la bouteille (G) d'un capuchon de protection
 6. Brancher la nouvelle bouteille comme décrits dans le paragraphe 6.2.2

7. Commande**7.1 Mise en service****Remarques :**

- Avant la mise en service, en particulier après une longue période d'inutilisation du générateur d'air chaud à gaz, vérifiez si les conduites de gaz ne sont pas bouchées par des insectes ou autres. Si les conduites de gaz sont bouchées, il peut se produire un retour de flamme dangereux.
- Ne mettre le générateur d'air chaud à gaz en service qu'uniquement après s'être assuré de l'étanchéité du tuyau de gaz et de ses raccords (voir paragraphe 7.1.1).
- Contrôlez, avant la mise en service, si la tension présente correspond bien à celle indiquée sur la plaque signalétique de l'appareil.
- Si pendant le fonctionnement, il se produit une fuite de gaz, il faut fermer immédiatement le robinet de la bouteille de gaz et ouvrir toutes les fenêtres et les portes.

7.1.1 Vérification de l'étanchéité

Afin de vérifier l'étanchéité, vaporiser le spray détecteur de fuites sur tous les raccords filetés que vous avez monté, le robinet de la bouteille de gaz étant ouvert et le régulateur de pression branché. En cas de non-étanchéité, il y aura formation de bulles à ces endroits. Dans ce cas, fermez immédiatement le robinet de la bouteille et resserrer les raccords filetés. Puis

répétez le contrôle d'étanchéité. Si après plusieurs tentatives, l'étanchéité n'est toujours pas assurée, veuillez-vous adresser à votre service client.

7.1.2 Mise en marche du générateur d'air chaud (fig.1)

Attention ! Après la mise en marche du générateur d'air chaud, tenez-vous toujours à côté ou derrière le brûleur et jamais en avant de l'orifice de sortie d'air. - Risque de brûlures

Remarques :

- Ne pas déplacer le générateur d'air chaud à gaz pendant son fonctionnement.
- Pendant son fonctionnement le générateur d'air chaud devient brûlant - risque de brûlure

1. Branchez la fiche de contact dans la prise de courant.
2. Ouvrez le robinet de gaz de la bouteille de gaz.
3. Allumez l'interrupteur de mise en marche (5) et vérifiez si le ventilateur derrière la grille d'aspiration de l'air (2) fonctionne et si l'air sort de l'orifice de sortie d'air (9).
4. Faites fonctionner le ventilateur au moins pendant 30 secondes et appuyez en même temps sur le bouton de la vanne (4) du gaz et l'allumeur piézo (8). Si nécessaire, appuyez plusieurs fois sur l'allumeur piézo (8) pendant que vous continuez à maintenir le bouton de la vanne (4) appuyé. Après l'allumage, maintenez le bouton de la vanne du gaz encore appuyée pendant 10 secondes.

Si le générateur d'air chaud ne continue pas à brûler après avoir relâché le bouton de la vanne du gaz, le ventilateur doit fonctionner pendant au moins 1 minute jusqu'à ce que le gaz soit évacué avant une nouvelle tentative d'allumage.

Remarques :

- En cas d'allumage difficile ou irrégulier, contrôler obligatoirement la circulation de l'air avant de redémarrer l'appareil. Le ventilateur ne doit pas être bloqué et les

côtés des entrées et des sorties d'air ne doivent pas être recouverts.

- En cas de sollicitation extrême, de longue durée, une évaporation excessive peut se produire et provoquer la formation de givre (givrage) sur la bouteille. Dans ce cas, il faut brancher une nouvelle bouteille ou une bouteille de plus grande taille.

7.2 Mise hors circuit

7.2.1 Mise hors service du générateur d'air chaud à gaz

1. Fermez le robinet de la bouteille.
2. Faites fonctionner le ventilateur pendant encore au moins 2 minutes afin de refroidir le générateur d'air chaud à gaz.
3. Éteignez le ventilateur en appuyant sur l'interrupteur marche/arrêt.
4. Retirez la fiche de contact de la prise de courant.
5. Enlevez le régulateur de pression de la bouteille de gaz.

8. Nettoyage, maintenance et commande de pièces de rechange

8.1 Nettoyage

- Avant d'entamer des travaux de nettoyage et de maintenance, le robinet de la bouteille de gaz doit être fermé, l'appareil mis hors circuit, débranché du réseau de courant et refroidi.
- Enlevez ensuite le régulateur de pression avec le tuyau de gaz de la bouteille de gaz.
- Pour nettoyer la carcasse, utilisez un chiffon légèrement humide.
- Les impuretés provoquées par la poussière peuvent être enlevées avec un aspirateur ou avec de l'air comprimé, avec précaution.

8.2 Maintenance

- Les réparations et les travaux de maintenance sur l'appareil doivent être exclusivement effectués par un installateur de gaz.
- Pour les réparations, il faut utiliser

uniquement des pièces de rechange originales.

- Le câble réseau doit être régulièrement contrôlé pour détecter d'éventuels défauts ou endommagements.
- Un câble réseau endommagé doit uniquement être remplacé par un(e) spécialiste électricien(ne) ou par l'entreprise ISC GmbH en prenant en considération les prescriptions correspondantes.
- Il faut contrôler les conduites flexibles (tuyau de gaz) au moins une fois par mois et à chaque fois que la bouteille de gaz liquéfié est remplacée. Lorsque les conduites flexibles semblent se fissurer ou montrent d'autres endommagements, elles doivent être remplacées par des conduites flexibles de la même longueur et de même qualité.
- Après une longue durée d'inutilisation et des travaux de maintenance et de remise en état, il faut procéder à un contrôle de fonctionnement de l'ensemble de l'appareil avec un contrôle d'étanchéité de tous les raccordements gaz (par ex. avec un spray détecteur de fuites ou une solution savonneuse), ainsi qu'un contrôle de sécurité électrique selon VDE 0701.

8.3 Commande de pièces de rechange

Veuillez indiquer ce qui suit pour toute commande de pièces de rechange :

- Type de l'appareil
- Référence de l'appareil
- Numéro d'identification de l'appareil
- Numéro de pièce de rechange de la pièce de rechange nécessaire

Vous trouverez les prix et informations actuelles à l'adresse www.isc-gmbh.info

9. Stockage

9.1 Appareil

Entreposez l'appareil et ses accessoires dans un endroit sombre, sec et à l'abri du gel tout comme inaccessible aux enfants. La température de stockage optimale est comprise entre 5 et 30 °C. Conservez l'appareil dans

F

l'emballage d'origine.

9.2 Bouteille de gaz liquéfié

- Ne jamais conserver les bouteilles de gaz liquéfié dans la maison, dans des sous-sols (pièce en dessous du niveau du sol) ou à des endroits non aérés !
- Les robinets des bouteilles de gaz liquéfié doivent comporter des capuchons de protection pour le robinet et des bouchons d'obturation.
- Les bouteilles de gaz - même vides - doivent être conservées debout.

10. Plan des raccordements (fig. 3)

Q1 Interrupteur marche/arrêt
 F1 Thermostat de sécurité
 M1 Moteur du ventilateur
 Y1 Protection thermoélectrique à l'allumage (vanne de gaz)
 Y2 Électrovanne de sécurité
 B1 Thermocouple
 B2 Allumage piézo
 B3 Électrode d'allumage
 B4 Brûleur

11. Caractéristiques techniques**HGG 110 Niro**

Charge thermique nominale : maxi. (Hi)	11,2 kW
Débit d'air :	500 m ³ /h
Valeur de raccordement :	G 30: 815 g/h
Catégorie de l'appareil :	I3P
Pays de destination :	NL/BE
Type de gaz :	propane en usage dans le commerce
Pression de service P :	300 mbar (Propane)
Raccordement réseau :	230 V ~ 50 Hz, 0,17 A, 38 W
Catégorie de température :	57°C

HGG 171 Niro

Charge thermique nominale : maxi. (Hi)	17 kW
Débit d'air :	500 m ³ /h
Valeur de raccordement :	G 30: 1340 g/h
Catégorie de l'appareil :	I3P
Pays de destination :	NL/BE
Type de gaz :	propane en usage dans le commerce
Pression de service P :	300 mbar (Propane)
Raccordement réseau :	230 V ~ 50 Hz, 0,17 A, 38 W
Catégorie de température :	75°C

12. Mise au rebut et recyclage

L'appareil se trouve dans un emballage permettant d'éviter les dommages dus au transport. Cet emballage est une matière première et peut donc être réutilisé ultérieurement ou être réintroduit dans le circuit des matières premières. L'appareil et ses accessoires sont composés de divers matériaux, comme par ex. des métaux et matières plastiques. Éliminez les composants défectueux dans les systèmes d'élimination des déchets spéciaux. Renseignez-vous dans un commerce spécialisé ou auprès de l'administration de votre commune !



Uniquement pour les pays de l'Union européenne

Ne jetez pas les outils électriques dans les ordures ménagères!

Selon la norme européenne 2002/96/CE relative aux appareils électriques et systèmes électroniques usés et selon son application dans le droit national, les outils électriques usés doivent être récoltés à part et apportés à un recyclage respectueux de l'environnement.

Possibilité de recyclage en alternative à la demande de renvoi :

Le propriétaire de l'appareil électrique est obligé, en guise d'alternative à un envoi en retour, à contribuer à un recyclage effectué dans les règles de l'art en cas de cessation de la propriété. L'ancien appareil peut être remis à un point de collecte dans ce but. Cet organisme devra l'éliminer dans le sens de la Loi sur le cycle des matières et les déchets. Ne sont pas concernés les accessoires joints aux anciens appareils ni les auxiliaires sans composants électroniques.

F

13. Consignes de dépannage

Lorsque l'appareil est correctement exploité, aucun dérangement ne devrait se produire. En cas de dérangement, vérifiez les possibilités suivantes avant d'appeler le service après-vente.

Dérangement	Cause probable	Mesures
Le ventilateur ne fonctionne pas	- Pas de courant	- Vérifier la fiche de contact, - Vérifier l'alimentation réseau, le cas échéant remplacer le câble réseau*
L'appareil ne s'allume pas	- Câble d'allumage défectueux - Câble d'allumage défectueux - Ecart entre l'électrode et le brûleur trop grand	- Vérifier le câble d'allumage, le cas échéant remplacer*. - Vérifier le câble d'allumage, le cas échéant raccorder fermement* - Régler* l'écart sur 5 mm (voir fig. 4).
Pas de gaz	- Bouteille de gaz vide - Robinet de la bouteille fermé - La vanne de sécurité de l'appareil n'a pas encore libéré de gaz	- Remplacer la bouteille de gaz - Ouvrir le robinet. - Nouvelle tentative d'allumage (voir chapitre 7.1.2)
Trop de gaz à l'arrivée ou flamme trop haute	- Régulateur de pression défectueux	- Remplacer le régulateur de pression
La flamme du brûleur s'éteint pendant le fonctionnement	- Thermocouple pas assez chaud - Arrivée et/ou sortie d'air bloquée - Pas de tension réseau - Le vent ou un courant d'air éteint la flamme	- Nouvelle tentative d'allumage (voir chapitre 7.1.2) - Nettoyer les grilles d'aspiration de l'air, éliminer les obstacles à l'aspiration de l'air, vérifier les fonctions du ventilateur - Vérifier l'alimentation réseau, le cas échéant remplacer le câble réseau* - Installer l'appareil loin du vent et des courants d'air, laisser refroidir l'appareil pendant quelques minutes, puis nouvelle tentative d'allumage (voir chapitre 7.1.2)

Attention !

*Ces travaux doivent être effectués par du personnel spécialisé qualifié et autorisé !

1. Inleiding

⚠ Let op!

Bij het gebruik van toestellen dienen enkele veiligheidsmaatregelen te worden nageleefd om lichamelijk gevaar en schade te voorkomen. Lees daarom deze handleiding/veiligheidsinstructies zorgvuldig door. Bewaar deze goed zodat u de informatie op elk moment kunt terugvinden. Mocht u dit toestel aan andere personen doorgeven, gelieve dan deze handleiding/veiligheidsinstructies mee te geven. Wij zijn niet aansprakelijk voor ongevallen of schade die te wijten zijn aan niet-naleving van deze handleiding en van de veiligheidsinstructies.

2. Veiligheidsaanwijzingen

⚠ WAARSCHUWING

Lees alle veiligheidsinstructies en aanwijzingen. Nalatigheden bij de inachtneming van de veiligheidsinstructies en aanwijzingen kunnen elektrische schok, brand en/of zware letsels veroorzaken.

Bewaar alle veiligheidsinstructies en aanwijzingen voor de toekomst.

2.1 Algemene veiligheidsinstructies

- Vóór gebruik van de verwarmingsblazer handleiding lezen.
- De gasverwarmingsblazer dient conform de nationale voorschriften en in overeenstemming met deze handleiding te worden opgesteld.
- Leg de netkabel zodat men er niet kan over struikelen.
- De netkabel niet over onderdelen van het toestel leiden die warm worden als het toestel in werking is.
- De netstekker nooit aan de netkabel de contactdoos uit trekken! De gasverwarmingsblazer nooit aan de netkabel dragen of verplaatsen door aan de kabel te trekken.
- De netkabel nooit rond de

gasverwarmingsblazer wikkelen.

- De netkabel nooit klemmen, noch over scherpe kanten trekken, noch boven warme kookplaten of open vlammen leggen.
- De gasverwarmingsblazer nooit onderdompelen in water – **levensgevaar!**
- Nooit de gasverwarmingsblazer met natte handen bedienen.
- De gasverwarmingsblazer nooit openen en nooit onderdelen waarop spanning staat aanraken – **levensgevaar!**
- De gasverwarmingsblazer zodanig opstellen dat de netstekker altijd toegankelijk is.
- De gasverwarmingsblazer niet onmiddellijk onder een contactdoos opstellen.
- Blijft de gasverwarmingsblazer een tijdje buiten bedrijf, netstekker uit het stopcontact trekken en gasfles verwijderen! Volg de instructies in de overeenkomstige hoofdstukken van deze handleiding op.
- Geen vreemde voorwerpen de openingen van het toestel in brengen – gevaar voor elektrische schok en beschadiging van het toestel.
- Als de netaansluitkabel van dit toestel wordt beschadigd, dient deze door de fabrikant of door de dienst na verkoop of een overeenkomstig gekwalificeerde persoon te worden vervangen om te voorkomen dat iemand in gevaar wordt gebracht.
- Ter voorkoming van schade door hitte-inwerking mogen geen hittegevoelige voorwerpen tegenover de gasverwarmingsblazer worden geplaatst.
- Raak noch de behuizing noch de beschermende afdekkingen aan terwijl het toestel in werking is – gevaar voor brandwonden.

2.2 Toestelspecifieke veiligheidsinstructies

- Neem de Technische regels vloeibaar gas in acht.
- De verwarmingsblazer mag enkel volledig gemonteerd in gebruik worden gesteld.
- Luchtaanzuigrooster en luchtuitlaatopening mogen niet worden verkleind of afgedekt – brandgevaar -
- Plaats de gasfles tijdens het bedrijf nooit voor de gasverwarmingsblazer –

brandgevaar -

- De gasverwarmingsblazer mag niet op een licht brandbare ondergrond in werking worden gesteld – brandgevaar -
- De gasverwarmingsblazer dient te worden opgesteld en gebruikt op een effen, niet hellend, onbrandbaar en stevig vlak.
- De gasverwarmingsblazer is enkel bestemd voor particulier gebruik.
- De ruimtes waarin het toestel wordt opgesteld dienen van voldoende ver- en ontluchting te zijn voorzien.
HGG 110 Niro: Er dienen luchtverversingsopeningen van minstens 280 cm² te worden voorzien. De minimumgrootte van de ruimte mag niet kleiner zijn dan 112 m³.
HGG 171 Niro: Er dienen luchtverversingsopeningen van minstens 450 cm² te worden voorzien. De minimumgrootte van de ruimte mag niet kleiner zijn dan 170 m³.
- De gasverwarmingsblazer mag niet worden gebruikt in kelderverdiepingen of onder de begane grond (ruimtes lager dan het gelijkvloers niveau).
- De gasverwarmingsblazer mag niet worden gebruikt voor het verwarmen van bewoonbare vertrekken in woongebouwen. Voor het gebruik in openbare gebouwen zijn de nationale voorschriften in acht te nemen!
- De gasverwarmingsblazer niet gebruiken in vrijetijdsvoertuigen zoals caravans, mobilhomes of boten.
- Het voortdurende verblijf van personen in de opstellingsruimte is verboden.
- Gebruik de gasverwarmingsblazer niet in ruimtes waarin er zich reeds een gasfles bevindt.
- De verwarmingsblazer mag niet in de buurt van andere verwarmingstoestellen (minimumafstand 1 m), of van ontvlambare of explosieve materialen in gebruik worden genomen.
- De gasverwarmingsblazer moet zodanig worden opgesteld dat de veiligheidsafstand tot brandbare materialen en wanden en de behuizing aan de luchtaanzuigkant 2 m, aan de luchtuitlaatkant 3 m, zijdelings 1 m en naar boven 1,50 m bedraagt.
- De verwarmingsblazer niet bewegen terwijl hij in werking is.
- De afsluiter van de fles met vloeibaar gas dichtdraaien voordat u de verwarmingsblazer verplaatst en nadat u hem heeft uitgeschakeld.
- Gebruik enkel de door de fabrikant opgegeven soorten gas en flessen met vloeibaar gas.
- De fles met vloeibaar gas dient in een goed verluchte ruimte verwijderd van open vlammen (kaarsen, sigaretten, andere toestellen met open vlammen) te worden verwisseld. De afsluiter van de gasfles moet daarbij dichtgedraaid zijn.
- Controleer of de dichting van de drukregelaar correct is gemonteerd en zijn functie kan vervullen.
- In geval van gaslek mag de gasverwarmingsblazer niet worden gebruikt of, indien hij in werking is, moet de gastoevoer worden onderbroken en moet de gasverwarmingsblazer worden gecontroleerd en in orde gebracht alvorens hij opnieuw kan worden gebruikt.
- In geval van een lek dient de afsluiter van de gasfles onmiddellijk te worden dichtgedraaid en deuren en ramen opengezet.
- Bij gasreuk geen licht in- of uitschakelen, geen andere elektrische schakelaars bedienen en geen telefoon, radiotelefoon of gsm binnen de gevarenzone gebruiken.
- Gebruik bij gasreuk geen open vlam (b.v. aansteker, lucifer) en rook niet.
- Ten minste eenmaal per maand en telkens bij het verwisselen van de fles met vloeibaar gas dienen de slangleidingen (gasslang) te worden gecontroleerd. Wanneer de slangleidingen tekens van broosheid of andere beschadigingen vertonen moeten ze door nieuwe slangleidingen van dezelfde lengte en kwaliteit worden vervangen.
- De gasslang moet binnen de opgegeven intervallen worden vervangen.
- Controleer of het toestel in een behoorlijke staat verkeert en of de dichting op de flesafsluiter aanwezig is. Er mogen geen bijkomende dichtingen worden gebruikt.
- Flessen met vloeibaar gas dienen te worden beschermd tegen de felle zon en mogen slechts rechtstaand worden opgeborgen.

- De gasverwarmingsblazer mag alleen worden gebruikt mits een tussengeschakelde drukregelaar met een toegestane uitgangsdruk, zie kenplaat en fabrieksafstelling.
- De gasslang mag niet worden geknikt of verdraaid.
- **Bij het in werking stellen en ontsteken beslist** te werk gaan zoals beschreven in de handleiding.
- Indien uw toestel niet in veilige staat onbeheerd kan worden gelaten, moet u het uitschakelen.

Dit toestel is niet bedoeld om door personen (inclusief kinderen) met een beperkt fysiek, sensorisch en geestelijk vermogen of door personen, die niet de nodige ervaring en/of kennis hebben, te worden gebruikt, tenzij dit onder toezicht van een persoon gebeurt die verantwoordelijk is voor hun veiligheid of die hen aanwijst, hoe het toestel moet worden gebruikt.

Op kinderen moet toezicht worden gehouden om te voorkomen dat ze met het toestel spelen.

3. Beschrijving van het toestel (fig. 1)

- 1 Draaggreep
- 2 Luchtaanzuigrooster
- 3 Gasaansluitschroefdraad
- 4 Gasafsluiterknop
- 5 AAN/UIT-schakelaar
- 6 Socket
- 7 Huis
- 8 Piëzo-ontstekingsknop
- 9 Luchtuitlaatopening

4. Leveringsomvang

- Open de verpakking en neem het toestel voorzichtig uit de verpakking.
- Verwijder het verpakkingsmateriaal alsmede verpakkings-/ transport-beveiligingen (indien aanwezig).
- Controleer of de leveringsomvang compleet

is.

- Controleer het toestel en de accessoires op transportschade.
- Bewaar de verpakking indien mogelijk tot aan het einde van de garantieperiode.

LET OP

Het toestel en het verpakkingsmateriaal zijn geen speelgoed voor kinderen!

Kinderen mogen niet met plastic zakken, folies en kleine stukken spelen!

Er bestaat inslik- en verstikkingsgevaar!

- Gasverwarmingsblazer
- Draaggreep met 2 schroeven
- Gasslang
- Drukregelaar 300mbar
- Originele handleiding

5. Reglementair gebruik

De gasverwarmingsblazer is uitsluitend bedoeld voor verwarming, bouwdroging en ontdooiing in goed verluchte ruimtes of in open lucht.

HGG 110 Niro: Voor goed verluchte ruimtes dienen verluchtungs- en ontluchtungs-openingen van minstens 280 cm² te worden voorzien. De minimumgrootte van de ruimte mag niet kleiner zijn dan 112 m³.

HGG 171 Niro: Voor goed verluchte ruimtes dienen verluchtungs- en ontluchtungs-openingen van minstens 450 cm² te worden voorzien. De minimumgrootte van de ruimte mag niet kleiner zijn dan 170 m³.

De gasverwarmingsblazer mag niet worden gebruikt in kelderverdiepingen of onder de begane grond (ruimtes lager dan het gelijkvloers niveau). De gasverwarmingsblazer is niet voor huisgebruik bedoeld.

De gasverwarmingsblazer mag slechts voor de opgegeven doeleinden worden gebruikt. Elk verder gaand gebruik is niet doelmatig. Voor daaruit voortvloeiende schade of letsel van welke aard dan ook is de gebruiker/bediener, niet de fabrikant, aansprakelijk.

Wij wijzen erop dat onze toestellen

NL

overeenkomstig hun bestemming niet ontworpen zijn voor commercieel, ambachtelijk of industrieel gebruik. Wij zijn niet aansprakelijk indien het toestel in ambachtelijke of industriële bedrijven alsmede bij gelijk te stellen activiteiten wordt gebruikt.

6. Vóór inbedrijfstelling

6.1. Montage van de draaggreep (fig. 1)

Schroef de draaggreep (1) op de behuizing (7) vast d.m.v. een kruiskopschroevendraaier en de bijgaande schroeven.

6.2 Aansluiting op de gasfles (fig. 2)

6.2.1 Onderdelen die ervoor nodig zijn

Om de gasverwarmingsblazer op de gasfles aan te sluiten hebt u onderstaande onderdelen nodig:

- in de handel gebruikelijke gasfles 5 of 11 kg, max. 13 kg,
- drukregelaar goedgekeurd volgens EN 13785, werkdruk 300 mbar, max. 1,5 kg/h, passend bij de gebruikte gasfles (bij de leveringsomvang begrepen),
- slangleiding goedgekeurd volgens EN 1763-1 van voldoende lengte (max. 1,0 m) die een knikvrije montage toestaat (bij de leveringsomvang begrepen),
- platte open sleutel sleutelwijdte sw17,
- goedgekeurde lekopsporingspray of schuim vormend middel.

Let op! Veiligheidsinstructies (hoofdstuk 2) in acht nemen

Aanwijzing: De gasfles dient zodanig te worden opgesteld dat de slangleiding niet wordt geknikt en verdraaid, niet op spanning staat en geen warme plaatsen van de gasverwarmingsblazer raakt.

6.2.2 Aansluiting

1. (Fig. 1) Sluit de gas slang aan op de gasaansluitschroefdraad (3) van de gasverwarmingsblazer mits gebruikmaking

van een platte open sleutel sw17. Haal de schroefverbinding goed aan.

2. (Fig. 2) Verbind de wartelmoer (D) van de drukregelaar (E) met de hand al links draaiend met de schroefdraad (G) van de flesafsluiter. Gebruik geen gereedschap – de dichting van de flesafsluiter kan worden beschadigd en de dichtheid is dan niet meer gewaarborgd.
3. (Fig. 2) De slangleiding (N) al links draaiend verbinden met de uitlaatschroefdraad (K) van de drukregelaar d.m.v. een gepaste platte open sleutel sw17. Daarbij dient u in elk geval met een tweede platte open sleutel van overeenkomstige nominale wijdte tegen te houden op de sleutelvlakken van de drukregelaar die daarvoor zijn voorzien om te voorkomen dat de regelaar meedraait of dat ontoelaatbare kracht wordt overgebracht. De dichtheid wordt tot stand gebracht door de schroefkoppeling met het hierboven genoemde gereedschap aan te halen.
4. Met een gaslek-detectiemiddel dienen alle verbindingplaatsen onder werkdruk op dichtheid te worden gecontroleerd. De dichtheid is gewaarborgd als er zich geen gasbellen meer voordoen. Een dichtheidscontrole met open vlam is ontoelaatbaar. Poreuze of beschadigde slangleidingen en fittings dienen onmiddellijk te worden vervangen.

6.2.3 Vervangen van de gasfles (fig. 2)

Let op! Veiligheidsvoorschriften in acht nemen

1. De fles met vloeibaar gas dient te worden verwisseld in een goed verluchte ruimte of in open lucht verwijderd van open vlammen (kaarsen, sigaretten, andere toestellen met open vlammen).
2. Flesafsluiter (F) dichtdraaien
3. Wartelmoer (D) losdraaien van de drukregelaar
4. Drukregelaar (E) van de fles verwijderen
5. Schroefdraad (G) van de flesafsluiter voorzien van een beschermkap
6. Nieuwe fles aansluiten zoals beschreven in hoofdstuk 6.2.2

7. Bedienung

7.1 Ingebruikneming

Aanwijzingen:

- Controleer vóór de inbedrijfstelling, vooral nadat u de verwarmingsblazer en tijdje niet hebt gebruikt, de gas voerende onderdelen op verstoppingen door insecten of dergelijks. Als gasleidingen verstopt zijn geraakt kan de vlam gevaarlijk terugslaan.
- De gasverwarmingsblazer pas in gebruik nemen als u zich van de dichtheid van de gas slang en van haar verbindingen hebt vergewist (zie hoofdstuk 7.1.1).
- Controleer of de aanwezige spanning overeenkomt met de spanning vermeld op het kenplaatje.
- Doet er zich tijdens het bedrijf een gaslekkage voor, moet de afsluiter van de gasfles onmiddellijk dicht worden gedraaid en moeten alle ramen en deuren open worden gezet.

7.1.1 Dichtheidsproef

Besproei met lekopsporingsspray alle door u tot stand gebrachte schroefverbindingen bij open gedraaide afsluiter van de gasfles en aangesloten drukregelaar teneinde deze plaatsen op lekkage te testen. Bij een lekkage zullen er hier gasbellen worden gevormd. Draai in dit geval de afsluiter op de gasfles meteen dicht en draai de schroefkoppelingen opnieuw aan. Daarna herhaalt u de dichtheidscontrole. Mocht de lekkage na herhaaldelijke pogingen blijven bestaan, gelieve zich tot uw klantendienst te wenden.

7.1.2 Inschakelen van de gasverwarmingsblazer (fig. 1)

Let op! Ga bij het inschakelen van de gasverwarmingsblazer altijd zijdelings of achter het toestel staan, nooit voor de luchtuitlaatopening – gevaar voor brandwonden.

Aanwijzingen:

- De gasverwarmingsblazer niet verplaatsen terwijl hij in werking is.
 - De gasverwarmingsblazer wordt tijdens het bedrijf warm – gevaar voor brandwonden
1. Steek de netstekker het netstopcontact in.
 2. Draai de afsluiter op de gasfles open.
 3. Schakel de AAN-/UIT-schakelaar (5) in en controleer of de ventilator achter het lucht aanzuigrooster (2) draait en de lucht aan de luchtuitlaatopening (9) wordt uitgeblazen.
 4. Laat de ventilator minstens 30 seconden draaien en druk de gasafsluiterknop (4) en tegelijkertijd de piëzo-ontsteker (8) in. Indien nodig, druk herhaaldelijk de piëzo-ontsteker (8) in terwijl u de gasafsluiterknop (4) verder blijft indrukken. Blijf na de ontsteking de gasafsluiterknop (4) nog 10 seconden indrukken.

Mocht de gasverwarmingsblazer na loslaten van de gasafsluiterknop niet blijven branden, moet de ventilator nog minstens 1 minuut blijven draaien tot het gas volledig uit is geblazen voordat u opnieuw en ontstekingspoging doet.

Aanwijzingen:

- Controleer bij moeilijke of onregelmatige ontsteking zeker de luchtdoorlaat voordat u het toestel herstart. De ventilator mag niet geblokkeerd zijn en de luchtinlaat- en/of luchtuitlaatkant mag niet afgedekt zijn.
- Bij langdurige extreme belasting kan een bovenmatige verdamping leiden tot ijsafzetting (rijpvorming) op de gasfles. In dit geval een nieuwe of grotere gasfles aansluiten op het toestel.

7.2 Buitenbedrijfstelling

7.2.1 Uitschakelen van de gasverwarmingsblazer

1. Draai de afsluiter van de gasfles dicht.
2. Laat de ventilator minstens nog 2 minuten verder draaien om de gasverwarmingsblazer af te koelen.
3. Schakel de ventilator dan uit door op de

NL

AAN-/UIT-schakelaar (5) te drukken.

4. Trek de netstekker uit het stopcontact.
5. Verwijder de drukregelaar van de gasfles.

of zeepsop) alsmede een elektrische veiligheidsproef conform VDE 0701 te worden uitgevoerd.

8. Reiniging, onderhoud en bestellen van wisselstukken

8.1 Reiniging

- Vóór begin van schoonmaak- en onderhoudswerkzaamheden dient u de afsluiter van de gasfles dicht te draaien, het toestel uit te schakelen, van het stroomnet te scheiden en te laten afkoelen.
- Verwijder daarna de drukregelaar met gasslang van de gasfles.
- Gebruik een lichte vochtige doek om de behuizing schoon te maken.
- Verontreinigingen door stof kunt u met een stofzuiger of voorzichtig met perslucht verwijderen.

8.2 Onderhoud

- Herstellingen of onderhoudswerkzaamheden aan het toestel mogen enkel door een erkende gasfitter worden uitgevoerd.
- Bij herstellingen mogen alleen originele wisselstukken worden gebruikt.
- De netkabel dient regelmatig op defecten of beschadigingen te worden gecontroleerd.
- Een beschadigde netkabel mag alleen door een elektrovakman of door ISC GmbH mits inachtneming van de desbetreffende bepalingen worden vervangen.
- Ten minste eenmaal per maand en telkens bij het verwisselen van de fles met vloeibaar gas dienen de slangleidingen (gasslang) te worden gecontroleerd. Wanneer de slangleidingen tekens van broosheid of andere beschadigingen vertonen moeten ze door nieuwe slangleidingen van dezelfde lengte en kwaliteit worden vervangen.
- Na lange stilstandtijden en aan het einde van onderhouds- en instandhoudingswerkzaamheden dient een functiecontrole van het hele toestel inclusief een dichtheidsproef van alle gasvoerende verbindingen (b.v. met lekopsporingsspray

8.3. Bestellen van wisselstukken

Gelieve bij het bestellen van wisselstukken volgende gegevens te vermelden :

- Type van het toestel
 - Artikelnummer van het toestel
 - Ident-nummer van het toestel
 - Wisselstuknummer van het benodigde stuk.
- Actuele prijzen en info vindt u terug onder www.isc-gmbh.info

9. Opberging

9.1 Toestel

Bewaar het toestel en de accessoires op een donkere, droge en vorstvrije plaats die voor kinderen ontoegankelijk is. De optimale opbergtemperatuur ligt tussen 5° C en 30° C. Bewaar het toestel in de originele verpakking.

9.2. Fles met vloeibaar gas

- Fles met vloeibaar gas nooit binnenshuis, onder de begane grond (ruimtes lager dan het gelijkvloers niveau) of op niet verluchte plaatsen bewaren!
- De afsluiters van de fles met vloeibaar gas dienen van beschermkappen en sluitmoeren te zijn voorzien.
- Gasflessen – ook lege – moeten rechtstaand worden opgeborgen.

10. Aansluitschema (fig. 3)

Q1 AAN-/UIT-schakelaar
 F1 Zekeringsthermostaat
 M1 Ventilatormotor
 Y1 Thermo-elektrische ontstekingsbeveiliging (gasafsluiter)
 Y2 Elektromagnetische veiligheidsklep
 B1 Thermo-element
 B2 Piëzo-ontsteking
 B3 Ontstekingselektrode
 B4 Brander

11. Technische gegevens

HGG 110 Niro

Nominaal thermisch vermogen:	max. (Hi) 11,2 kW
Luchtdebiet:	500 m ³ /u
Aangesloten vermogen:	G 30: 815 g/u
Toestelcategorie:	I3P
Land van bestemming:	NL/BE
Soort gas:	handelspropan
Werkdruk P:	300 mbar (propan)
Aansluiting op het net:	230 V ~ 50 Hz, 0,17 A, 38 W
Temperatuurklasse:	57°C

HGG 171 Niro

Nominaal thermisch vermogen:	max. (Hi) 17 kW
Luchtdebiet:	500 m ³ /u
Aangesloten vermogen:	G 30: 1.340 g/u
Toestelcategorie:	I3P
Land van bestemming:	NL/BE
Soort gas:	handelspropan
Werkdruk P:	300 mbar (propan)
Aansluiting op het net:	230 V ~ 50 Hz, 0,17 A, 38 W
Temperatuurklasse:	75°C



gemeentebestuur!

Enkel voor EU-landen

Elektrisch materieel hoort niet bij het huisvuil thuis!

Volgens de Europese richtlijn 2002/96/EG op afgedankte elektrische en elektronische toestellen en omzetting in nationaal recht dienen afgedankte elektrische gereedschappen afzonderlijk te worden verzameld en milieuvriendelijk te worden gerecycleerd.

Recyclagealternatief i.p.v. het toestel terug te sturen:

De eigenaar van het elektrische materieel is alternatief verplicht, i.p.v. het toestel terug te sturen, mede te werken bij de behoorlijke recyclage in geval hij zich van het eigendom ontdoet. Het afgedankte toestel kan hiervoor ook bij een verzamelplaats worden afgegeven die voor een verwijdering als bedoeld in de wetgeving in zake recyclage en afvalverwerking zorgt. Hieronder vallen niet bij de afgedankte toestellen gevoegde accessoires en hulpmiddelen zonder elektrische componenten.

12. Verwijdering en recyclage

Het toestel bevindt zich in een verpakking om transportschade te voorkomen. Deze verpakking is een grondstof en bijgevolg herbruikbaar of kan in de grondstofkringloop teruggebracht worden. Het toestel en zijn accessoires bestaan uit diverse materialen, zoals b.v. metaal en kunststof. Ontdoe u van defecte onderdelen op de inzamelplaats waar u gevaarlijke afvalstoffen mag afgeven. Informeer u in uw speciaalzaak of bij uw

13. Aanwijzingen omtrent het verhelpen van fouten

Als het toestel naar behoren wordt gebruikt zouden er zich geen storingen mogen voordoen. In geval van problemen gelieve eerst de volgende mogelijkheden na te gaan alvorens de klantendienst te verwittigen.

Storing	Mogelijke oorzaak	Maatregel
Ventilator draait niet	- geen stroom	- netstekker controleren, - nettoevoer controleren eventueel netkabel vervangen*
Geen ontsteking	- ontstekingskabel defect - ontstekingskabel zit los - afstand tussen elektrode en brander te groot	- ontstekingskabel controleren, eventueel vervangen*. - ontstekingskabel controleren, eventueel vast aansluiten* - afstand instellen op 5 mm* (zie fig. 4).
Er stroomt geen gas	- gasfles leeg - afsluiter van de gasfles dichtgedraaid - veiligheidsklep in het toestel heeft het gas nog niet vrijgegeven	- gasfles vernieuwen - afsluiter opendraaien. - inschakelpoging herhalen (zie hoofdstuk 7.1.2)
Er stroomt te veel gas binnen of vlam te groot	- drukregelaar defect	- drukregelaar vervangen
Brandervlam dooft terwijl het toestel in werking is	- thermo-element niet warm genoeg - luchtinlaat en/of luchtuitlaat geblokkeerd - geen netspanning - vlam wordt door wind of tocht uitgeblazen	- inschakelpoging herhalen (zie hoofdstuk 7.1.2) - luchtaanzuigrooster schoonmaken, hindernissen voor luchtaanzuiging uit de weg ruimen, ventilatorfunctie controleren. - nettoevoer controleren eventueel netkabel vervangen* - het toestel uit de wind en tocht opstellen, enkele minuten laten afkoelen, daarna inschakelpoging herhalen (zie hoofdstuk 7.1.2)

Let op!

* Deze werkzaamheden dienen door gekwalificeerd en geautoriseerd vakpersoneel te worden verricht!

1. Introducción

⚠ ¡Atención!

Al usar aparatos es preciso tener en cuenta una serie de medidas de seguridad para evitar lesiones o daños. Por este motivo, es preciso leer atentamente este manual de instrucciones / advertencias de seguridad. Guardar esta información cuidadosamente para poder consultarla en cualquier momento. En caso de entregar el aparato a terceras personas, será preciso entregarles, asimismo, el manual de instrucciones / advertencias de seguridad. No nos hacemos responsables de accidentes o daños provocados por no tener en cuenta este manual y las instrucciones de seguridad.

2. Instrucciones de seguridad

⚠ AVISO

Leer todas las instrucciones de seguridad e indicaciones. El incumplimiento de dichas instrucciones e indicaciones puede provocar descargas, incendios y/o daños graves.
Guardar todas las instrucciones de seguridad e indicaciones para posibles consultas posteriores.

2.1 Instrucciones generales de seguridad

- Leer el manual de instrucciones antes de utilizar el generador de aire caliente a gas.
- La instalación del generador de aire caliente a gas debe realizarse respetando las disposiciones nacionales y teniendo en cuenta este manual.
- Colocar el cable de conexión de tal modo que no se tropiece con él.
- El cable de red no debe pasar por encima de piezas del aparato a elevada temperatura.
- ¡No desenchufar tirando del cable! No transportar o arrastrar jamás el generador de aire caliente a gas tirando del cable.
- No enrollar el cable alrededor del generador de aire caliente a gas.
- No aplastar el cable o pasarlo por aristas vivas, ni por encima de encimeras calientes

o llama viva.

- No sumergir jamás el aparato en agua, **¡Peligro de muerte!**
- No manejar jamás el generador con las manos húmedas.
- No abrir nunca el generador de aire caliente a gas ni tocar las piezas conductoras de tensión, **¡Peligro de muerte!**
- Colocarlo de tal forma que se pueda acceder fácilmente al enchufe.
- No colocar el generador de aire caliente a gas directamente debajo de una toma de corriente.
- ¡Desenchufar el generador y extraer la bombona de gas en caso de dejarlo fuera de servicio durante tiempo prolongado! Observar el correspondiente capítulo del presente manual.
- No introducir objetos en los orificios del aparato, ¡peligro de descarga eléctrica y daños en el aparato!
- Cuando el cable de conexión a la red de este aparato esté dañado, deberá ser sustituido por el fabricante o su servicio de asistencia técnica o por una persona cualificada para ello, evitando así cualquier peligro.
- Para evitar daños por efecto del calor, no deben colocarse objetos sensibles al calor frente al generador aire caliente a gas.
- No tocar la carcasa ni las cubiertas de protección cuando el aparato esté en funcionamiento, ¡peligro de quemaduras!.

2.2 Instrucciones de seguridad específicas para el aparato

- Tener en cuenta las normas técnicas sobre gas líquido.
- El generador de aire caliente a gas sólo puede operarse cuando esté completamente montado.
- La rejilla de aspiración de aire y el orificio para salida de aire no deben reducirse o cubrirse - Peligro de incendio -
- No colocar nunca la bombona de gas delante del generador de aire caliente a gas mientras esté en funcionamiento – Peligro de incendio –
- El generador de aire caliente a gas no debe colocarse sobre una base fácilmente

E

inflamable - Peligro de incendio -

- Colocar sobre una superficie plana, no inclinada, no inflamable y estable.
 - El generador de aire caliente a gas ha sido concebido exclusivamente para uso privado.
 - La sala donde se instale debe estar bien ventilada.
- HGG 110 Niro: Es preciso prever aberturas de ventilación de al menos 280 cm². El tamaño mínimo de la habitación no debe ser inferior a 112 m³.
- HGG 171 Niro: Es preciso prever aberturas de ventilación de al menos 450 cm². El tamaño mínimo de la habitación no debe ser inferior a 170 m³.
- El generador de aire caliente a gas no debe operarse en sótanos en recintos bajo el nivel del suelo.
 - No debe utilizarse para calentar habitaciones de viviendas. ¡Si se utiliza en edificios públicos deben respetarse las normativas nacionales!
 - No utilizar el generador de aire caliente a gas en vehículos recreativos como caravanas o barcos.
 - No está permitida la permanencia continuada de personas en el lugar de ubicación del generador.
 - No utilizar el generador en habitaciones en las que ya exista una bombona de gas.
 - El generador no debe ponerse en funcionamiento cerca de otros aparatos calefactores (distancia mínima: 1 m), material inflamable o explosivo.
 - El generador de aire caliente a gas debe colocarse de forma que la distancia de seguridad con respecto a materiales inflamables, las paredes y la carcasa sea de 2 m en el lado de aspiración de aire, 3 m en el lado de salida de aire, 1 m en los laterales y 1,50 m hacia arriba.
 - No mover el generador cuando esté en funcionamiento.
 - Antes de moverlo y tras el funcionamiento, debe cerrarse la válvula de la bombona de gas líquido.
 - Utilizar exclusivamente tipos de gas y bombonas de gas líquido recomendados por el fabricante.

- Cambiar la bombona de gas en una sala bien ventilada y alejada de llamas vivas (velas, cigarrillos, otros aparatos encendidos, etc.). Al hacerlo, la válvula de la bombona de gas debe estar cerrada.
- Comprobar que la junta del regulador de presión esté bien montada para cumplir su función.
- En caso de detectarse una fuga de gas, no utilizar el generador o, si está en funcionamiento, cerrar la alimentación de gas, comprobar el generador y repararlo antes de su nueva puesta en funcionamiento.
- En caso de fugas en la válvula de cierre, cerrar inmediatamente la bombona de gas y abrir puertas y ventanas.
- En caso de olor a gas, no encender o apagar ninguna luz, no accionar ningún otro interruptor eléctrico y no utilizar el teléfono, radioteléfono o móvil dentro del área de peligro.
- En caso de olor a gas no utilizar llamas directas (p. ej. mecheros, cerillas) y no fumar.
- Comprobar los conductos de la manguera (manguera de gas) como mínimo una vez al mes y cada vez que se cambie la bombona. Cuando los conductos de la manguera presenten daños, cambiarlos por conductos de la misma longitud y similar calidad.
- Cambiar los conductos de gas en las fechas prescritas (véase capítulo 8.2).
- Comprobar que la junta de obturación de la válvula de la bombona está en su lugar y se encuentra en buen estado. No está permitido utilizar juntas adicionales.
- Las bombonas de gas deben protegerse de la radiación solar fuerte y almacenarse únicamente en posición vertical.
- El generador de aire caliente a gas sólo puede funcionar con un regulador de presión intercalado con una presión de salida autorizada, (véase la placa del aparato y los ajustes de fábrica).
- No doblar o retorcer la manguera del gas.
- Realizar **la puesta en marcha y el encendido** según se indica en el manual.
- Desconectar el aparato si no puede dejarse en estado seguro sin vigilancia.

Este aparato no ha sido concebido para ser utilizado por personas (incluyendo niños) cuyas capacidades estén limitadas física, sensorial o psíquicamente, o que no dispongan de la experiencia y/o los conocimientos necesarios. Las personas aptas deberán recibir formación o instrucciones necesarias sobre el funcionamiento del aparato por parte de una persona responsable para su seguridad. Vigilar a los niños para asegurarse de que no jueguen con el aparato.

3. Descripción del aparato (fig. 1)

- 1 Asa de transporte
- 2 Rejilla de aspiración de aire
- 3 Rosca de la conexión para gas
- 4 Botón de la válvula de gas
- 5 Interruptor ON/OFF
- 6 Base
- 7 Caja
- 8 Botón de encendido piezoeléctrico
- 9 Orificio de salida de aire

4. Volumen de entrega

- Abrir el embalaje y extraer cuidadosamente el aparato.
- Retirar el material de embalaje, así como las fijaciones del embalaje y para el transporte (si existen).
- Comprobar que el volumen de entrega esté completo.
- Comprobar que el aparato y los accesorios no presenten daños ocasionados durante el transporte.
- Si es posible, almacenar el embalaje hasta que transcurra el periodo de garantía.

ATENCIÓN

¡El aparato y el material de embalaje no son un juguete! ¡No permitir que los niños jueguen con bolsas de plástico, láminas y piezas pequeñas!

¡Riesgo de ingestión y asfixia!

- Generador de aire caliente a gas
- Asa de transporte con 2 tornillos
- Manguera del gas
- Regulador de presión de 300mbar
- Manual de instrucciones original

5. Uso adecuado

El generador de aire caliente a gas sólo está diseñado para la calefacción, secado de edificios y deshielo en recintos bien ventilados o en exteriores.

HGG 110 Niro: Para salas bien ventiladas es preciso prever orificios de ventilación de al menos 280 cm². El tamaño mínimo de la sala no debe ser inferior a 112 m³.

HGG 171 Niro: Para salas bien ventiladas es preciso prever orificios de ventilación de al menos 450 cm². El tamaño mínimo de la sala no debe ser inferior a 170 m³.

El generador de aire caliente a gas no debe operarse en sótanos o en recintos bajo el nivel del suelo. El generador no ha sido concebido para el uso doméstico.

El generador sólo debe emplearse para aquellos fines para los que se ha destinado. Cualquier otro uso no será adecuado. En caso de uso inadecuado, el fabricante no se hace responsable de daños o lesiones de cualquier tipo; el responsable es el usuario u operario de la máquina.

Es preciso tener en consideración que nuestro aparato no está indicado para un uso comercial, industrial o en taller. No asumiremos ningún tipo de garantía cuando se utilice el aparato en zonas industriales, comerciales o talleres, así como actividades similares.

E**6. Antes de la puesta en marcha****6.1. Montaje de la empuñadura (fig. 1)**

Atornillar el asa de transporte (1) a la carcasa (7) utilizando un destornillador de estrella y los tornillos adjuntos.

6.2 Conexión a la bombona de gas (fig. 2)**6.2.1 Piezas necesarias**

Para conectar el generador de aire caliente a gas a la bombona de gas son necesarias las siguientes piezas:

- Bombona de gas común de 5 o 11 kg, como máximo 13 kg.
- Un regulador de presión probado conforme a la norma EN 13785 con una presión de servicio de 300mbar, máx. 1,5 kg/h adecuado para la bombona de gas utilizada (incluido en el volumen de suministro).
- Manguera probada conforme a la norma EN 1763-1 con una longitud suficiente (máx. 1,0 m), para evitar que se doble a montarla (incluida en el volumen de suministro).
- Llave de ajuste de ancho 17.
- Aerosol reconocido de detección de fugas o material generador de espuma.

¡Atención! Observar las instrucciones de seguridad (apartado 2)

Advertencia: Colocar la bombona de gas de tal forma que la manguera no se pueda doblar ni retorcer, no se encuentre bajo tensión y no toque ningún punto caliente del generador de aire caliente a gas.

6.2.2 Conexión

1. (Fig. 1) Utilizando una llave de ajuste de ancho 17, conectar la manguera del gas a la rosca de la conexión para gas (3) del generador. Volver a apretar los tornillos.
2. (Fig. 2) Conectar la tuerca retén (D) del regulador de presión (E) a la rosca de la válvula de la bombona (G) girando la tuerca manualmente a la izquierda. No utilizar herramientas, la junta de la válvula de la bombona se podría dañar y la estanqueidad

dejaría de estar garantizada.

3. (Fig. 2) Conectar la manguera (N) a la rosca de salida del regulador de presión (K) girando la manguera hacia la izquierda con una llave adecuada de ancho 17. En cualquier caso es preciso sujetar con otra llave de ancho adecuado la superficie prevista del regulador de presión con el fin de evitar que el regulador se gire también o ejercer presión excesiva. La estanqueidad se asegura apretando las atornilladuras con la herramienta mencionada anteriormente.
4. Comprobar la estanqueidad de todos los puntos de unión con un producto detector de fugas. La estanqueidad está asegurada cuando no se forman burbujas. No realizar una comprobación de estanqueidad con la llama directa. Cambiar de inmediato los conductos de manguera y válvulas que estén porosos o dañados.

6.2.3 Cambio de la bombona de gas (fig. 2)

¡Atención! Observar las instrucciones de seguridad

1. Cambiar la bombona de gas líquido en una sala bien ventilada o al aire libre, lejos de llamas vivas (velas, cigarrillos, otros aparatos similares, etc.).
2. Cerrar la válvula de la bombona (F)
3. Soltar la tuerca retén (D) del regulador de presión
4. Retirar el regulador de presión (E) de la bombona
5. Poner la tapa protectora en la rosca de la válvula de la bombona (G)
6. Conectar la nueva bombona según se describe en el apartado 6.2.2

7. Manejo

7.1 Puesta en marcha

Instrucciones:

- Antes de la puesta en marcha del generador de aire caliente a gas y en particular tras un largo período sin utilizarlo, comprobar que las piezas por donde pasa el gas no estén obstruidas con insectos, etc. Los tubos del gas que presenten obstrucciones pueden provocar un peligroso encendido de la llama.
- Poner en funcionamiento el generador de aire caliente a gas una vez se haya comprobado la estanqueidad de la manguera del gas y sus conexiones (véase apdo. 7.1.1).
- Comprobar que la tensión existente concuerde con la indicada en la placa de datos.
- Si durante el funcionamiento se produce una fuga de gas, es imprescindible cerrar inmediatamente la válvula de la bombona de gas y abrir todas las ventanas y puertas.

7.1.1 Comprobación de estanqueidad

Para comprobar la estanqueidad, rociar con aerosol de detección de fugas todas las atornilladuras con la válvula de la bombona de gas abierta y el regulador de presión conectado. Si se forman burbujas significa que hay una fuga. En tal caso, cerrar de inmediato la válvula de la bombona y apretar de nuevo todas las atornilladuras. A continuación, volver a repetir la comprobación de estanqueidad. Si después de varios intentos sigue habiendo fugas, ponerse en contacto con el servicio técnico postventa.

7.1.2 Conexión del generador de aire caliente a gas (fig. 1)

¡Atención! Durante la conexión, colocarse siempre al lado o detrás del aparato, nunca delante del orificio de salida de aire, Peligro de quemaduras.

Instrucciones:

- No mover el generador de aire caliente a gas cuando esté en funcionamiento.
 - El generador se calienta durante el funcionamiento, Peligro quemaduras
1. Conectar el enchufe a la toma de corriente.
 2. Abrir la válvula de gas de la bombona de gas.
 3. Accionar el interruptor ON/OFF (5) y comprobar si el ventilador detrás de la rejilla de aspiración de aire (2) está funcionando y el aire se expulsa por el orificio de salida de aire (9).
 4. Dejar el ventilador en marcha al menos durante 30 segundos y presionar el botón de la válvula de gas (4) y el encendedor piezoeléctrico (8) al mismo tiempo. En caso necesario presionar el encendedor piezoeléctrico (8) varias veces mientras se mantiene presionado el botón de la válvula de gas (4). Tras el encendido, mantener presionado el botón de la válvula de gas (4) durante 10 segundos.

Si el generador de aire caliente a gas se apaga tras soltar el botón de la válvula de gas, dejar funcionar el ventilador durante al menos 1 minuto antes de volver a intentar el encendido, es decir, hasta que el gas se haya expulsado completamente.

Instrucciones:

- En caso de problemas o irregularidades en el encendido, comprobar el paso de aire antes de volver a arrancar el generador. El ventilador no debe estar bloqueado y los lados de entrada o salida de aire no deben estar cubiertos.
- En caso de un uso prolongado del aparato o bajo condiciones extremas, una vaporización excesiva puede conducir a una formación de hielo (escarcha) de la bombona de gas. En este caso debe conectarse una bombona de gas nueva o más grande al aparato.

E**7.2 Puesta fuera de servicio****7.2.1 Desconexión del generador de aire caliente a gas**

1. Volver a cerrar la válvula de la bombona.
2. Dejar en marcha el ventilador al menos durante 2 minutos para que el generador de aire caliente a gas se enfríe.
3. Desconectar el ventilador pulsando el interruptor ON/OFF (5).
4. Desenchufar el aparato.
5. Retirar el regulador de presión de la bombona de gas.

8. Limpieza, mantenimiento y pedido de piezas de repuesto**8.1 Limpieza**

- Antes de iniciar los trabajos de limpieza y mantenimiento, se debe cerrar la válvula de la bombona de gas, desconectar el aparato, desenchufarlo de la red y dejar que se enfríe.
- A continuación retirar de la bombona de gas el regulador de presión con la manguera del gas.
- Para limpiar la carcasa utilizar un paño ligeramente húmedo.
- Las impurezas de polvo pueden eliminarse con un aspirador o aplicando aire comprimido con precaución.

8.2 Mantenimiento

- Solo especialistas en instalaciones de gas autorizados puede realizar las reparaciones y los trabajos de mantenimiento en el aparato.
- Para las reparaciones utilizar exclusivamente piezas de repuesto originales.
- Comprobar regularmente que el cable de red no sufra ningún tipo de defecto o daño.
- En caso de que el cable de red esté dañado, solo podrá ser cambiado por un electricista o por ISC GmbH teniendo en cuenta las disposiciones pertinentes.
- Comprobar los conductos de la manguera (manguera de gas) como mínimo una vez al

mes y cada vez que se cambie la bombona. Cuando los conductos de la manguera presenten daños, cambiarlos por conductos de la misma longitud y similar calidad.

- Tras largos periodos de parada del aparato o tras los trabajos de mantenimiento y reparación, realizar un control de funcionamiento de todo el aparato comprobando la estanqueidad de todas las conexiones conductoras de gas (p. ej., con aerosol de detección de fugas o con agua jabonosa), así como un control de seguridad eléctrico conforme a VDE 0701.

8.3. Pedido de piezas de repuesto

Cuando se pasa pedido de las piezas de repuesto, es preciso indicar los siguientes datos:

- Tipo de aparato
 - Número de artículo del aparato
 - Número de identificación del aparato
 - Número de la pieza de recambio solicitada
- Consultar los precios e información actuales en la página www.isc-gmbh.info

9. Almacenamiento**9.1 Aparato**

Guardar el aparato y sus accesorios en un lugar oscuro, seco, protegido de las heladas e inaccesible para los niños. La temperatura de almacenamiento óptima se encuentra entre los 5 y 30 °C. Guardar el aparato en su embalaje original.

9.2 Bombona de gas líquido

- ¡No guardar nunca la bombona de gas líquido en la casa, en recintos bajo el nivel del suelo o en lugares sin ventilación!
- Las válvulas de la bombona de gas han de estar provistas de caperuzas de protección y de tuercas ciegas.
- Las bombonas de gas, incluso las vacías, han de guardarse de pie.

10. Diagrama de conexiones (fig. 3)

Q1 Interruptor ON/OFF
 F1 Termostato de seguridad
 M1 Motor del ventilador
 Y1 Dispositivo de seguridad de encendido
 termoeléctrico (válvula de gas)
 Y2 Válvula magnética de seguridad
 B1 Termoelemento
 B2 Encendido piezoeléctrico
 B3 Electrodo de encendido
 B4 Quemador

11. Características técnicas

HGG 110 Niro

Carga térmica nominal:	máx. (Hi) 11,2 kW
Caudal de aire:	500 m ³ /h
Consumo:	G 30: 815 g/h
Categoría del aparato:	I3B/P
País de destino:	ES
Tipo de gas:	Propano convencional Butano convencional
Presión de servicio P:	300 mbar (propano/butano)
Tensión de red:	230 V ~ 50 Hz, 0,17 A, 38 W
Clase de temperatura:	57°C

HGG 171 Niro

Carga térmica nominal:	máx. (Hi) 17 kW
Caudal de aire:	500 m ³ /h
Consumo:	G 30: 1340 g/h
Categoría del aparato:	I3B/P
País de destino:	ES
Tipo de gas:	Propano convencional Butano convencional
Presión de servicio P:	300 mbar (propano/butano)
Tensión de red:	230 V ~ 50 Hz, 0,17 A, 38 W
Clase de temperatura:	75°C

12. Eliminación y reciclaje

El aparato está protegido por un embalaje para evitar daños producidos por el transporte. Este embalaje es materia prima y, por eso, se puede volver a utilizar o llevar a un punto de reciclaje. El aparato y sus accesorios están compuestos de diversos materiales, como, p. ej., metal y plástico. Depositar las piezas defectuosas en un contenedor destinado a residuos industriales. ¡Preguntar en el organismo responsable al respecto en su municipio o en establecimientos especializados!



Sólo para países miembros de la UE

No tirar herramientas eléctricas en la basura casera.

Según la directiva europea 2002/96/CE sobre aparatos usados electrónicos y eléctricos y su aplicación en el derecho nacional, dichos aparatos deberán recogerse por separado y eliminarse de modo ecológico para facilitar su posterior reciclaje.

Alternativa de reciclaje en caso de devolución: El propietario del aparato eléctrico, en caso de no optar por su devolución, está obligado a reciclar adecuadamente dicho aparato eléctrico. Para ello, también se puede entregar el aparato usado a un centro de reciclaje que trate la eliminación de residuos respetando la legislación nacional sobre residuos y su reciclaje. Esto no afecta a los medios auxiliares ni a los accesorios sin componentes eléctricos que acompañan a los aparatos usados.

E**13. Indicaciones para la eliminación de fallos**

Si el aparato se maneja de manera adecuada, no se producirán averías. En caso de avería, comprobar si se trata de alguno de los casos siguientes antes de consultar el servicio técnico posventa.

Avería	Posibles causas	Medida
El ventilador no se pone en marcha	- No hay corriente	- Comprobar el enchufe, - Comprobar la alimentación de red y, en caso necesario, cambiar el cable de conexión*
El aparato no se enciende	- Cable de encendido defectuoso - Cable de encendido suelto - Existe demasiada distancia entre el electrodo y el quemador	- Comprobar el cable de encendido y cambiarlo en caso necesario*. - Comprobar el cable de encendido y, en caso necesario, conectarlo bien* - Ajustar la distancia a 5 mm* (véase fig. 4).
No hay flujo de gas	- Bombona de gas vacía - Válvula de la bombona de gas cerrada - La válvula de seguridad del aparato no ha liberado todavía el gas	- Cambiar la bombona de gas - Abrir la válvula. - Nuevo intento de conexión (véase capítulo 7.1.2)
Entrada de demasiado gas o llama demasiado alta	- Regulador de presión defectuoso	- Cambiar el regulador de presión
La llama del quemador se apaga durante el servicio	- El termoelemento no está lo suficientemente caliente - Entrada de aire y/o salida de aire bloqueada - Sin tensión de red - El aire o las corrientes de aire apagan la llama	- Nuevo intento de conexión (véase capítulo 7.1.2) - Limpiar la rejilla de aspiración de aire, eliminar los obstáculos para la aspiración de aire, comprobar el funcionamiento del ventilador - Comprobar la alimentación de red y, en caso necesario, cambiar el cable de conexión* - Colocar el aparato alejado del viento y las corrientes, dejar enfriar el aparato algunos minutos y después volver a intentar conectarlo (véase capítulo 7.1.2)

¡Atención!

* ¡Estos trabajos deben ser realizados por personal especializado cualificado y autorizado.!

1. Introduzione

⚠ **Attenzione!**

Nell'usare gli apparecchi si devono prendere diverse misure di sicurezza per evitare lesioni e danni. Quindi leggete attentamente queste istruzioni per l'uso/avvertenze di sicurezza. Conservate bene le informazioni per averle a disposizione in qualsiasi momento. Se date l'apparecchio ad altre persone, consegnate anche queste istruzioni per l'uso/avvertenze di sicurezza insieme all'apparecchio. Non ci assumiamo alcuna responsabilità per incidenti o danni causati dal mancato rispetto di queste istruzioni e delle avvertenze di sicurezza.

2. Avvertenze di sicurezza

⚠ **AVVERTIMENTO**

Leggete tutte le avvertenze di sicurezza e le istruzioni. Dimenticanze nel rispetto delle avvertenze di sicurezza e delle istruzioni possono causare scosse elettriche, incendi e/o gravi lesioni.

Conservate tutte le avvertenze e le istruzioni per eventuali necessità future.

2.1 Avvertenze generali di sicurezza

- Leggete le istruzioni per l'uso prima di utilizzare il generatore di aria calda a gas.
- Il generatore di aria calda a gas deve essere installato in accordo con le norme nazionali e in modo corrispondente a queste istruzioni.
- Posate il cavo di alimentazione in modo che non sia possibile inciamparvi.
- Non fate passare il cavo di alimentazione su parti dell'apparecchio che diventano calde durante il funzionamento.
- Non staccate la spina dalla presa di corrente tirando il cavo di alimentazione! Non trasportate o spostate il generatore di aria calda a gas, tirandolo per il cavo di alimentazione.
- Non avvolgete mai il cavo di alimentazione attorno al generatore di aria calda a gas.
- Non incastrate mai il cavo di alimentazione,

non fatelo passare su spigoli appuntiti, non appoggiatelo su piastre elettriche molto calde o su fiamme libere.

- Non immergete mai il generatore di aria calda a gas in acqua – **Pericolo di morte!**
- Non usate mai il generatore di aria calda a gas con le mani bagnate.
- Non aprite mai il generatore di aria calda a gas e non toccate parti che conducono corrente – **Pericolo di morte!**
- Posizionate il generatore di aria calda a gas in modo che la spina sia sempre accessibile.
- Non mettete il generatore di aria calda a gas direttamente sotto una presa di corrente.
- Staccate la spina dalla presa di corrente e allontanate bombole del gas, se il generatore di aria calda a gas non viene utilizzato per un periodo di tempo prolungato! Rispettate le istruzioni riportate nel relativo capitolo di questo manuale.
- Non inserite corpi estranei nelle aperture dell'apparecchio – pericolo di scossa elettrica e di danni all'apparecchio.
- Se il cavo di alimentazione di questo apparecchio viene danneggiato, deve essere sostituito dal produttore, dal suo servizio di assistenza clienti o da una persona al pari qualificata al fine di evitare pericoli.
- Per evitare danni causati dal calore non si devono posizionare oggetti sensibili al calore davanti al generatore di aria calda a gas.
- Non toccate l'involucro e le coperture di protezione durante il funzionamento - pericolo di ustioni.

2.2 Avvertenze di sicurezza specifiche per l'apparecchio

- Osservate le regole tecniche per i gas liquidi .
- Il generatore di aria calda a gas deve essere usato soltanto dopo il montaggio completo.
- Le griglie di aspirazione e le aperture di uscita dell'aria non devono essere ridotte o coperte - pericolo di incendio.
- Non posizionate la bombola del gas davanti al generatore di aria calda a gas durante il

I

funzionamento - pericolo di incendio.

- Il generatore di aria calda a gas non deve essere messo in funzione su superfici infiammabili - pericolo di incendio.
- Appoggiate il generatore di aria calda a gas su una superficie piana, non infiammabile, stabile e non inclinata.
- Il generatore di aria calda a gas è concepito solo per l'uso privato.
- I locali di installazione dell'apparecchio devono essere ben areati.
HGG 110 Niro: Si devono prevedere aperture di sfiatione e di ventilazione di almeno 280 cm². La dimensione minima del locale non deve mai essere inferiore a 112 m³.
HGG 171 Niro: Si devono prevedere aperture di sfiatione e di ventilazione di almeno 450 cm². La dimensione minima del locale non deve mai essere inferiore a 170 m³.
- Il generatore di aria calda a gas non deve essere messo in funzione in scantinati o locali sotto il livello del suolo.
- Il generatore di aria calda a gas non deve essere usato per il riscaldamento di locali abitativi in edifici ad uso residenziale. Per l'impiego in edifici pubblici devono essere osservate le disposizioni nazionali!
- Non utilizzate il generatore di aria calda a gas in veicoli per il tempo libero come roulotte o camper, o imbarcazioni.
- È vietato sostare in modo continuato nel locale dove è installato.
- Non utilizzate il generatore di aria calda a gas in locali nei quali si trova già una bombola del gas.
- Il generatore di aria calda a gas non deve essere impiegato vicino ad altri apparecchi di riscaldamento (distanza minima 1 m) o nei pressi di materiale infiammabile o esplosivo.
- Il generatore di aria calda a gas deve essere posizionato in modo tale che la distanza di sicurezza da materiali infiammabili, dalle pareti e dall'involucro sul lato di aspirazione dell'aria sia di 2 m, sul lato di uscita dell'aria di 3 m, lateralmente di 1 m e verso l'alto di 1,50 m.
- Non spostate il generatore di aria calda a gas, mentre è in funzione.
- Prima di spostare il generatore di aria calda

a gas e dopo averlo utilizzato, la valvola della bombola del gas deve essere chiusa.

- Usate esclusivamente i tipi di gas e le bombole di gas liquido indicati dal produttore.
- La bombola di gas liquido si deve sostituire in un ambiente ben areato, lontano da fonti di calore aperte (candele, sigarette, e altri oggetti con fiamme libere). Durante tale operazione la valvola della bombola del gas deve essere chiusa.
- Verificate che la guarnizione del dispositivo di regolazione della pressione sia stata regolarmente montata e che possa adempiere alla sua funzione.
- In caso di perdita di gas, il generatore di aria calda a gas non deve essere usato, o se è in funzione, si deve chiudere l'alimentazione del gas e il generatore di aria calda a gas deve essere controllato e riparato prima di essere usato di nuovo.
- In caso di perdita, chiudete subito la valvola di chiusura della bombola del gas e aprite porte e finestre.
- In caso di odore di gas, non spegnete o accendete alcuna luce, non toccate altri interruttori elettrici e non utilizzate un telefono, un radiotelefono o un cellulare nella zona di pericolo.
- In caso di odore di gas non utilizzate fiamme vive (ad es. un accendino o un fiammifero) e non fumate.
- Almeno una volta al mese e ogni volta che la bombola di gas liquido viene sostituita si devono verificare i tubi flessibili (tubo del gas). Se i tubi flessibili presentano segni di logoramento o altri danni li dovete sostituire con tubi nuovi di uguale lunghezza e di qualità equivalente.
- Il tubo flessibile del gas si deve sostituire negli intervalli prescritti (vedi Cap. 8.2).
- Controllate che l'apparecchio sia in buone condizioni e se la guarnizione sia presente sulla valvola della bombola. Non devono essere utilizzate guarnizioni addizionali.
- Proteggete le bombole del gas da forte irraggiamento solare e conservatele in posizione verticale.
- Il generatore di aria calda a gas deve essere azionato solo tramite un regolatore

di pressione intermedio con una pressione di uscita consentita, vedi targhetta sull'apparecchio e impostazioni di fabbrica.

- Il tubo flessibile del gas non deve venire piegato o torto.
- Eseguite **la messa in esercizio e l'accensione** assolutamente secondo le istruzioni per l'uso.
- Disinserite l'apparecchio se dovete lasciarlo senza sorveglianza in uno stato non sicuro.

Questo apparecchio non è destinato ad essere usato da persone (bambini compresi) con capacità fisiche, sensoriali o mentali limitate o che manchino di esperienza e/o conoscenze, a meno che non vengano sorvegliati da una persona responsabile per la loro sicurezza o abbiano ricevuto da questa istruzioni su come usare l'apparecchio.

I bambini devono essere sorvegliati per assicurarsi che non giochino con l'apparecchio.

3. Descrizione dell'apparecchio (Fig. 1)

- 1 Maniglia
- 2 Griglia di aspirazione
- 3 Filetti dell'attacco del gas
- 4 Pulsante della valvola del gas
- 5 Interruttore ON/OFF
- 6 Base
- 7 Involucro
- 8 Pulsante dell'accensione piezo
- 9 Apertura per l'uscita dell'aria

4. Elementi forniti

- Aprite l'imballaggio e togliete con cautela l'apparecchio dalla confezione.
- Togliete il materiale d'imballaggio e anche i fermi di trasporto / imballaggio (se presenti).
- Controllate che siano presenti tutti gli elementi forniti.
- Verificate che l'apparecchio e gli accessori non presentino danni dovuti al trasporto.
- Se possibile, conservate l'imballaggio fino alla scadenza della garanzia.

ATTENZIONE

L'apparecchio e il materiale d'imballaggio non sono giocattoli! I bambini non devono giocare con sacchetti di plastica, film e piccoli pezzi!
Sussiste pericolo di ingerimento e soffocamento!

- Generatore di aria calda a gas
- Impugnatura con 2 viti
- Tubo flessibile del gas
- Regolatore di pressione 300 mbar
- Istruzioni per l'uso originali

5. Utilizzo proprio

Il generatore di aria calda a gas è concepito esclusivamente per riscaldare, asciugare e sbrinare in ambienti ben arieggiati o all'aperto. HGG 110 Niro: Per avere degli ambienti ben arieggiati, si devono prevedere aperture di sfianto e di ventilazione di almeno 280 cm². La dimensione minima del locale non deve mai essere inferiore a 112 m³.

HGG 171 Niro: Per avere degli ambienti ben arieggiati, si devono prevedere aperture di sfianto e di ventilazione di almeno 450 cm². La dimensione minima del locale non deve mai essere inferiore a 170 m³.

Il generatore di aria calda a gas non deve essere messo in funzione in scantinati o in locali simili sotto il livello del suolo. Il generatore di aria calda a gas non è concepito per l'uso domestico.

Il generatore di aria calda a gas deve essere usato solamente per lo scopo a cui è destinato. Ogni altro tipo di uso che esuli da quello previsto non è conforme. L'utilizzatore/ l'operatore, e non il costruttore, è responsabile dei danni e delle lesioni di ogni tipo che ne risultino.

Tenete presente che i nostri apparecchi non sono stati costruiti per l'impiego professionale, artigianale o industriale. Non riconosciamo alcuna garanzia se l'apparecchio viene usato in imprese commerciali, artigianali o industriali, o in attività equivalenti.

6. Prima della messa in esercizio

6.1. Montaggio dell'impugnatura (Fig. 1)

Avvitate saldamente alla carcassa (7) l'impugnatura (1) con l'aiuto di un cacciavite con punta a croce e delle viti accluse.

6.2 Attacco alla bombola del gas (Fig. 2).

6.2.1 Componenti necessari

Per il collegamento del generatore di aria calda a gas alla bombola del gas, sono necessari i seguenti componenti:

- bombola del gas comunemente reperibile in commercio da 5 ovvero 11 kg, max. 13 kg
- regolatore di pressione 300 mbar della pressione di esercizio, testato secondo la norma EN 13785, max. 1,5 kg/h adatto per la bombola del gas (compreso tra gli elementi forniti)
- tubo flessibile di una lunghezza sufficiente (max. 1,0 m) testato secondo la norma EN 1763-1, che permetta di essere montato senza venire piegato (compreso tra gli elementi forniti)
- chiavi per dadi da 17
- spray per la localizzazione delle perdite o schiuma simile.

Attenzione! Osservate le avvertenze di sicurezza (sezione 2).

Avvertenza: la bombola del gas deve essere messa in modo tale che il tubo flessibile non debba essere piegato o torto, non sia sotto tensione e non tocchi punti molto caldi del generatore di aria calda a gas.

6.2.2 Attacco

1. (Fig. 1) Collegate il tubo flessibile del gas al filetto dell'attacco del gas (3) del generatore di aria calda a gas, utilizzando una chiave per dadi da 17. Serrate saldamente il collegamento a vite.
2. (Fig. 2) Collegate il dado a risvolto (D) del regolatore di pressione (E) con il filetto della valvola della bombola (G) ruotandolo manualmente verso sinistra. Non utilizzate

utensili - la guarnizione della valvola della bombola può venire danneggiata e dunque la tenuta non è più garantita.

3. (Fig. 2) Il tubo flessibile (N) deve essere collegato con il filetto d'uscita (K) del regolatore di pressione girandolo a sinistra ed utilizzando una chiave idonea da 17. In tal caso è necessario fissare con una seconda chiave per dadi di rispettiva larghezza nominale le superfici per la chiave previste del regolatore di pressione per evitare che si giri anche il regolatore oppure per evitare una trasmissione di forza non consentita. La tenuta viene garantita serrando il collegamento a vite con l'utensile sopra indicato.
4. Con una sostanza per le ricerche di fughe si devono controllare tutti i punti di collegamento alla pressione di esercizio. La tenuta è garantita se non si presenta nessuna formazione di bolle. Non è consentito il controllo della tenuta con una fiamma libera. I tubi porosi o i raccordi danneggiati devono essere sostituiti immediatamente.

6.2.3 Sostituzione della bombola del gas (Fig. 2)

Attenzione! Osservate le avvertenze di sicurezza

1. La bombola di gas liquido si deve sostituire in un ambiente ben areato o all'aperto, lontano da fonti di calore aperte (candele, sigarette, e altri oggetti con fiamme libere).
2. Chiudete la valvola della bombola (F)
3. Staccate il dado a risvolto (D) dal regolatore di pressione.
4. Togliete il regolatore di pressione (E) dalla bombola.
5. Mettete il tappo di protezione sul filetto della valvola della bombola (G).
6. Collegate una nuova bombola come descritto al punto 6.2.2.

7. Uso

7.1 Messa in funzione

Avvertenze

- Prima della messa in esercizio, soprattutto se il generatore di aria calda a gas rimane fermo per un periodo piuttosto lungo, controllate che i componenti che conducono il gas non siano ostruiti da insetti o altro. I tubi del gas ostruiti possono portare a pericolosi colpi di fiamma.
- Mettete in esercizio il generatore di aria calda a gas di riscaldamento solo dopo aver accertato la tenuta del tubo flessibile del gas (vedi sezione 7.1.1).
- Verificate che la tensione disponibile corrisponda alla tensione indicata sulla targhetta di identificazione.
- Qualora ci fosse una perdita di gas durante l'esercizio, chiudete subito la valvola della bombola del gas e aprite finestre e porte.

7.1.1 Prova di tenuta

Per la prova di tenuta spruzzate con spray per localizzazione delle perdite tutti i collegamenti a vite che avete fatto con valvola della bombola di gas aperta e del regolatore di pressione collegato. In caso di perdite si formano ora delle bolle. In questo caso chiudete subito la valvola della bombola e serrate i collegamenti a vite di nuovo. Poi ripetete la prova di tenuta. Se la perdita non è eliminata anche dopo parecchie prove, rivolgetevi al servizio assistenza.

7.1.2 Accensione del generatore di aria calda a gas (Fig. 1)

Attenzione! Durante l'accensione del generatore di aria calda a gas posizionatevi sempre di lato o dietro l'apparecchio e mai davanti all'apertura dell'aria - pericolo di ustioni.

Avvertenze

- Non spostate il generatore di aria calda a gas durante l'esercizio.
- Durante l'esercizio, il generatore di aria calda a gas si surriscalda – Pericolo di ustioni.

1. Inserite la spina di alimentazione nella presa di corrente.
2. Aprite la valvola del gas alla bombola del gas.
3. Inserite l'interruttore ON/OFF (5) e verificate se il ventilatore dietro alla griglia di aspirazione (2) funziona e se l'aria viene espulsa dall'apertura dell'aria (9).
4. Lasciate funzionare il ventilatore almeno 30 secondi e premete il pulsante della valvola del gas (4) e contemporaneamente l'accenditore piezoelettrico (8). Nel caso in cui sia necessario, premete l'accenditore piezoelettrico (8) più volte, tenendo premuto anche il pulsante della valvola del gas (4). Tenete premuto il pulsante della valvola del gas (4) ancora per 10 secondi dopo l'accensione.

Qualora il generatore di aria calda a gas non dovesse essersi ancora acceso dopo aver lasciato andare il pulsante della valvola del gas, bisogna lasciare funzionare il ventilatore per almeno ancora 1 minuto, in modo che il gas sia completamente espulso.

Avvertenze

- Se l'accensione risultasse difficoltosa e irregolare, controllate assolutamente l'apertura dell'aria, prima di riavviare l'apparecchio. Il ventilatore non deve essere bloccato e il lato di entrata e uscita dell'aria non deve essere coperto.
- In caso di sollecitazione prolungata ed estrema, un'evaporazione eccessiva può causare la formazione di ghiaccio (brina) sulla bombola del gas. In tal caso collegate all'apparecchio una bombola del gas nuova ovvero più grande.

7.2 Rimessa in esercizio

7.2.1 Spegnimento del generatore di aria calda a gas

1. Chiudete la valvola della bombola.
2. Lasciate acceso il ventilatore per il raffreddamento del generatore di aria calda a gas per almeno altri 2 minuti.
3. Spegnete il ventilatore premendo il tasto ON/OFF (5).



4. Staccate la spina dalla presa.
5. Togliete il regolatore di pressione dalla bombola del gas.

8. Pulizia, manutenzione e ordinazione dei pezzi di ricambio

8.1 Pulizia

- Prima di iniziare lavori di pulizia e manutenzione si deve disinserire la valvola della bombola del gas, staccare l'apparecchio dalla rete elettrica e lasciarlo raffreddare.
- Togliete poi il regolatore di pressione con il tubo flessibile del gas dalla bombola del gas.
- Per la pulizia dell'involucro usate un panno leggermente umido.
- Si possono eliminare i depositi di polvere con un aspirapolvere o, facendo attenzione, con un getto di aria compressa.

8.2 Manutenzione

- Le riparazioni ed i lavori di manutenzione sull'apparecchio devono venire eseguiti solo da un installatore specializzato di impianti a gas.
- In caso di riparazioni usate solo pezzi di ricambio originali.
- Si deve controllare regolarmente che il cavo di alimentazione non presenti difetti o danni.
- Un cavo di alimentazione danneggiato deve essere sostituito soltanto da un elettricista specializzato o dalla ISC GmbH, rispettando le disposizioni in vigore.
- Almeno una volta al mese e ogni volta che la bombola di gas liquido viene sostituita si devono verificare i tubi flessibili (tubo del gas). Se i tubi flessibili presentano segni di logoramento o altri danni li dovete sostituire con tubi nuovi di uguale lunghezza e di qualità equivalente.
- Dopo un arresto prolungato, operazioni di manutenzione e di riparazione, dovete eseguire una prova di funzionamento dell'intero apparecchio, attraverso un controllo di tenuta di tutti i collegamenti che conducono gas (ad es. con uno spray per la

localizzazione delle perdite o con acqua saponata) e una prova elettrica di sicurezza in base alla norma VDE 0701.

8.3. Ordinazione dei pezzi di ricambio

In caso di ordinazione di pezzi di ricambio è necessario indicare quanto segue:

- Tipo di apparecchio
- Numero di articolo dell'apparecchio
- Numero di identificazione dell'apparecchio
- Numero del pezzo di ricambio richiesto

Per i prezzi e le informazioni attuali si veda www.isc-gmbh.info

9. Conservazione

9.1 Apparecchio

Conservate l'apparecchio e i suoi accessori in un luogo buio, asciutto, al riparo dal gelo e non accessibile ai bambini. La temperatura ottimale per la conservazione è compresa tra i 5 e i 30 °C. Conservate l'apparecchio nell'imballaggio originale.

9.2 Bombola del gas

- Non tenete mai la bombola del gas liquido in casa, in scantinati (locali sotto il livello del terreno) o in luoghi non areati!
- Le valvole della bombola di gas liquido devono essere provviste di tappi di protezione e di dadi di chiusura.
- Le bombole - anche vuote - devono essere tenute in posizione verticale.

10. Schema dei collegamenti elettrici (Fig. 3)

Q1 Interruttore di ON/OFF
 F1 Termostato di sicurezza
 M1 Motore del ventilatore
 Y1 Dispositivo di sicurezza termoelettrico (valvola del gas)
 Y2 Elettrovalvola di sicurezza
 B1 Termocoppia
 B2 Accensione piezo
 B3 Elettrodo di accensione
 B4 Bruciatore

11. Caratteristiche tecniche

HGG 110 Niro

Carico termico nominale:	max. (Hi) 11,2 kW
Portata aria:	500 m ³ /h
Potenza allacciata:	G 30: 815 g/h
Categoria di apparecchio:	I3B/P
Paese di destinazione:	IT
Tipo di gas:	
propano comunemente reperibile in commercio	
butano comunemente reperibile in commercio	
Pressione di esercizio P:	
300 mbar (propano/butano)	
Collegamento alla rete:	
230 V ~ 50 Hz, 0,17 A, 38 W	
Classe di temperatura:	57°C

HGG 171 Niro

Carico termico nominale:	max. (Hi) 17 kW
Portata aria:	500 m ³ /h
Potenza allacciata:	G 30: 1.340 g/h
Categoria di apparecchio:	I3B/P
Paese di destinazione:	IT
Tipo di gas:	
propano comunemente reperibile in commercio	
butano comunemente reperibile in commercio	
Pressione di esercizio P:	
300 mbar (propano/butano)	
Collegamento alla rete:	
230 V ~ 50 Hz, 0,17 A, 38 W	
Classe di temperatura:	75°C

12. Smaltimento e riciclaggio

L'apparecchio si trova in un imballaggio per evitare i danni dovuti al trasporto. Questo imballaggio rappresenta una materia prima e può perciò essere utilizzato di nuovo o riciclato. L'apparecchio e i suoi accessori sono fatti di materiali diversi, per es. metallo e plastica. Consegnate i pezzi difettosi allo smaltimento di rifiuti speciali. Per informazioni rivolgetevi a un negozio specializzato o all'amministrazione comunale!



Solo per paesi membri dell'UE

Non smaltite gli elettroutensili nei rifiuti domestici!

Secondo la direttiva europea 2002/96/CE sui rifiuti di apparecchiature elettriche ed elettroniche e il suo recepimento nelle normative nazionali, gli elettroutensili usati devono venire raccolti separatamente e venire smaltiti in modo ecocompatibile.

Alternativa di riciclaggio alla richiesta di restituzione

Il proprietario dell'apparecchio elettrico è tenuto in alternativa, invece della restituzione, a collaborare in modo che lo smaltimento venga eseguito correttamente in caso ceda l'apparecchio. L'apparecchio vecchio può anche venire consegnato ad un centro di raccolta che provvede poi allo smaltimento secondo le norme nazionali sul riciclaggio e sui rifiuti. Non ne sono interessati gli accessori e i mezzi ausiliari senza elementi elettrici forniti insieme ai vecchi apparecchi.



13. Avvertenze per l'eliminazione di anomalie

Se l'apparecchio viene fatto funzionare correttamente non si dovrebbero verificare anomalie. In caso di anomalie, verificate le seguenti possibilità prima di rivolgervi al servizio assistenza.

Anomalia	Possibile causa	Intervento
Il ventilatore non funziona	- Non c'è corrente	- Controllate la spina - Controllate l'alimentazione di rete ed eventualmente sostituite il cavo di alimentazione*
L'apparecchio non si accende	- Cavo di accensione difettoso - Cavo di accensione allentato - Distanza eccessiva tra l'elettrodo e bruciatore	- Controllate, ed eventualmente sostituite il cavo di accensione* - Controllate e collegate bene il cavo di accensione* - Regolate la distanza su 5 mm (vedi Fig. 4)
Non c'è flusso di gas	- La bombola del gas è vuota - La valvola della bombola del gas è chiusa - La valvola di sicurezza del gas non ha autorizzato la circolazione del gas	- Cambiate la bombola del gas - Aprite la valvola - Eseguite un nuovo tentativo di accensione (vedi Cap. 7.1.2)
Flusso di gas troppo elevato ovvero una fiamma troppo alta	- Regolatore di pressione difettoso	- Sostituite il regolatore di pressione
La fiamma del bruciatore si spegne durante l'esercizio	- La termocoppia non è abbastanza calda - L'entrata e/o l'uscita di aria è bloccata - Manca tensione di rete - Il vento o una corrente d'aria spengono la fiamma	- Eseguite un nuovo tentativo di accensione (vedi Cap. 7.1.2) - Pulite la griglia di aspirazione, eliminate gli ostacoli per l'aspirazione dell'aria, verificate il funzionamento del ventilatore - Controllate l'alimentazione di rete ed eventualmente sostituite il cavo di alimentazione* - Non posizionate l'apparecchio in presenza di vento o correnti d'aria, lasciate raffreddare l'apparecchio per alcuni minuti, riprovare l'accensione (vedi Cap. 7.1.2)

Attenzione!* Questi lavori devono essere eseguiti da tecnici qualificati e autorizzati!

1. Bevezetés

⚠ Figyelem!

A készülékek használatánál, a sérülések és a károk megakadályozásának az érdekében be kell tartani egy pár biztonsági intézkedést. Ezért ezt a használati utasítást / biztonsági utasításokat gondosan átolvasni. Őrizze ezeket jól meg, azért hogy mindenkor a rendelkezésére álljanak az információk. Ha más személyeknek adná át a készüléket, akkor kérjük kézbesítse ki vele együtt ezt a használati utasítást / biztonsági utasításokat is. Nem vállalunk felelőséget olyan balesetekért vagy károkért, amelyek ennek az utasításnak és a biztonsági utasításoknak a figyelmen kívül hagyásából keletkeznek.

2. Biztonsági utasítások

⚠ FIGYELMEZTETÉS

Olvasson minden biztonsági utalást és utasítást el. A biztonsági utalások és utasítások betartásán belüli mulasztások áramcsapást, tüzet és/vagy nehéz sérüléseket okozhatnak.

Őrizze meg a biztonsági utalásokat és utasításokat a jövőre nézve.

2.1 Általános biztonsági utasítások

- A gáz üzemű hőlégfűvő használata előtt kérjük elolvasni a használati utasítást.
- A gáz üzemű hőlégfűvőt a nemzeti előírásoknak és ennek a használati utasításnak megfelelően kell installálni.
- A hálózati kábelt úgy lefektetni, hogy ne lehessen a kábelben megbotlani.
- Ne vezesse a hálózati vezetékét üzem közben forró készülékrészekre keresztül.
- Ne húzza sohasem a hálózati csatlakozót a hálózati vezetékénél fogva a dugaszoló aljzatból! Ne hordja a gáz üzemű hőlégfűvőt sohasem a hálózati vezetékénél fogva vagy mozgassa a kábelnél húzva.
- Ne tekerje sohasem a hálózati vezetékét a gáz üzemű hőlégfűvő köré.
- Ne csípje be, ne húzza éles széleken, ne

fektesse forró tűzhelylapokra vagy nyílt tüzekre a hálózati vezetékét.

- Ne merítse a gáz üzemű hőlégfűvőt sohasem vízbe – **életveszély!**
- Ne kezelje sohasem a gáz üzemű hőlégfűvőt nedves kézzel.
- Ne nyissa sohasem ki a gáz üzemű hőlégfűvőt és ne érintse meg a feszültséget vezető részeket – **életveszély!**
- A gáz üzemű hőlégfűvőt úgy felállítani, hogy a hálózati csatlakozó minden időben hozzáférhető legyen.
- Ne állítsa fel a gáz üzemű hőlégfűvőt közvetlenül egy dugaszoló aljzat alá.
- Ha a gáz üzemű hőlégfűvő hosszabb ideig nem lenne használva, akkor kihúzni a hálózati csatlakozót és eltávolítani a gázpalackot! Vegye figyelembe a megfelelő fejezetet ebben az utasításban.
- Ne tegyen idegen testeket a készülék nyílásaiba – áramcsapásnak és a készülék megsérülésének veszélye.
- Ha megsérült ennek a készüléknek a hálózati csatlakozóvezetéke, akkor azt a veszélyeztetések elkerüléséhez a gyártó vagy annak a vevőszolgáltatása, vagy egy hasonlóan szakképzett személy által ki kell cseréltetni.
- Hőbehatás általi károk elkerüléséhez nem szabad hőérzékeny tárgyakat a gáz üzemű hőfűvővel szemben elhelyezni.
- Ne érintse meg üzem ideje alatt a gépházat és a védőburkolatot – megégetés veszélye.

2.2 Készülék-specifikus biztonsági utasítások

- Vegye figyelembe a folyékonygáz technikai szabályait.
- A gáz üzemű hőfűvőt csak teljesen felszerelve szabad üzemeltetni.
- Nem szabad a légbeszívó rácsokat és a légkieresztő nyílásokat lekicsinyíteni vagy lefedni – tűzveszély -
- Ne állítsa sohasem az üzem ideje alatt a gázpalackot a gáz üzemű hőfűvő elé – tűzveszély -
- Nem szabad a gáz üzemű hőlégfűvőt gyullékony talajon üzemeltetni - tűzveszély -
- A gáz üzemű hőlégfűvőt egy sík, nem döntött, nem gyullékony és stabi felületen

H

üzemeltetni.

- A gáz üzemű hőlégfűvő csak privát használatra lett meghatározva.
- A felállítás termének elegendően kell szellőznie és kiszellőztetve lennie.
HGG 110 Niro: Legalább 280 cm²-es szellőztetési és a kiszellőztetési nyílásokat kell előrelátni. Nem szabad a 112 m³-es legkisebb terem nagyság alatt lennie.
HGG 171 Niro: Legalább 450 cm²-es szellőztetési és a kiszellőztetési nyílásokat kell előrelátni. Nem szabad a 170 m³-es legkisebb terem nagyság alatt lennie.
- Nem szabad a gáz üzemű hőlégfűvőt pincében vagy a földszint alatt (a föld szintje alatt levő termék) üzemeltetni.
- Nem szabad a gáz üzemű hőlégfűvőt lakóépületben a lakható termék fűtésére használni. Nyilvános épületekben levő használatához figyelembe kell venni a nemzeti határozatokat!
- Ne használja a gáz üzemű hőlégfűvőt szabadidőben használt járművekben mint például lakókocsikban, lakóautókban vagy csónakokban.
- Tilos a felállítási teremben a személyek állandóan tartózkodni.
- Ne használja a gáz üzemű hőlégfűvőt olyan termekben, amelyekben már egy gázpalack van.
- A gáz üzemű hőlégfűvőket nem szabad más fűtőkészülékek (legkisebb távolság 1 m), gyullékony vagy robbanó anyagok közelében üzemeltetni.
- A gáz üzemű hőlégfűvőnek úgy kell felállítva lennie, hogy a gyullékony anyagok és falak valamint a gépház közötti biztonsági távolság a légbeszívás oldalán 2 m, a légkibocsátás oldalán 3 m, oldalt 1 m és felfelé 1,50 m legyen.
- Üzem ideje alatt ne mozgassa a gáz üzemű hőlégfűvőt.
- Elmozdítás előtt és a gáz üzemű hőlégfűvő üzemeltetése után be kell zárni a folyékonygázpalack szelepét.
- Csak a gyártó által megadott gázfajtákat és folyékonygázpalackokat használni.
- A folyékonygázpalackot egy jó szellőztetett teremben, nyílt tüztől (gyertyától, cigarettától, más nyílt lángú készülékektől) távol kell kicserélni. Ennél zárva kell lennie a gázpalackszelepnek.
- Ellenőrizze le, hogy a nyomásszabályozó készülék tömítése helyesen fel van szerelve és hogy teljesíteni tudja a funkcióit.
- Gáz tömörítetlenség esetén nem szabad használni a gáz üzemű hőlégfűvőt, vagy ha üzemeltetve van, akkor le kell zárni a gázhozzávezetést és le kell ellenőrizni a gáz üzemű hőlégfűvőt és rendbe kell tenni mielőtt ismét használni lehetne.
- Tömörítetlenség esetén azonnal be kell zárni a gázpalack lezáró szelepét és ki kell nyitni az ajtókat és az ablakokat.
- Gázszag esetén ne kapcsolja fel vagy le a villanyt, ne üzemeltessen más elektromos kapcsolókat és ne használjon telefont, rádiótelefont vagy mobiltelefont a veszélyeztetett téren belül.
- Gázszag esetén ne használjon nyílt tüzeket (mint például öngyújtót, gyufát) és ne dohányozzon.
- A tömlővezetéseket (gáztömlőt) legalább egyszer havonta le kell ellenőrizni és mindig ha kicserélné a folyékonygázpalackot. Ha a tömlővezeték a törékenységi vagy más sérülések jeleit mutatná fel, akkor ki kell cserélni ugyanolyan hosszú és ugyanolyan minőségű új tömlővezetékkel.
- A gáztömlőt az előírt időközönként belül ki kell cserélni (lásd a 8.2-es fejezetet).
- Ellenőrizze le a palackszelep rendezettségű állapotát és a tömítés meglétét. Nem szabad kiegészítő tömítéseket használni.
- A folyékonygázpalackokat óvni kell az erős napbesugárzás elől és csak állva tárolni.
- A gáz üzemű hőlégfűvőt csak egy engedélyezett kimeneteli nyomással rendelkező, lásd a készüléktáblát és a gyárolalilag elvégzett beállítást, közbeiktatott nyomásszabályozón keresztül szabad üzemeltetni.
- Nem szabad megtörni vagy megcsavarni a gáztömlőt.
- **A beüzemeltetést és a gyújtást okvetlenül** az utasítás szerint elvégezni.
- Ha nem lehet a készülékét egy biztos állapotban felügyelet nélkül hagyni, akkor kapcsolja ki.

Ez a készülék nem lett olyan személyek általi (gyerekeket is beleértve) használatra meghatározva, akik csak egy korlátolt testi, érzéki vagy szellemi képességekkel rendelkeznek vagy nem rendelkeznek elegendő tapasztalattal és/vagy tudással, kivéve, ha egy, a biztonságukért felelős személy által felügyelve vannak, vagy ha utasításokat kaptak tőle, hogy hogyan kell a készüléket használni. Gyerekeket felül kellene ügyelni, azért hogy biztosítva legyen, hogy nem játszanak a készülékkel.

FIGYELEM

A készülék és a csomagolási anyag nem gyerekjáték! Nem szabad a gyerekeknek a műanyagtasakkal, foliákkal és aprórészekkel játszaniuk!
Fennáll a lenyelés és a megfulladás veszélye!

- Gáz üzemű hőlégfűvő
- Hordozófogantyú 2 csavarral
- Gáztömlő
- Nyomákszabályozó 300mbar
- Eredeti használati utasítás

3. A készülék leírása (1-es ábra)

- 1 Hordozófogantyú
- 2 Légbeszívórács
- 3 Gázcsatlakoztató menet
- 4 Gázszelepfaj
- 5 Be- kikapcsoló
- 6 Talpazat
- 7 Gépház
- 8 Piezo gyújtógomb
- 9 Léghőpótyílás

4. A szállítás terjedelme

- Nyissa ki a csomagolást és vegye ki óvatosan a készüléket a csomagolásból.
- Távolítsa el a csomagolási anyagot valamint a csomagolási- / és a szállítási biztosítékokat (ha léteznek).
- Ellenőrizze le, hogy teljes e a szállítás terjedelme.
- Ellenőrizze le a készüléket és a tartozékrészeket szállítási károokra.
- Ha lehetséges, akkor őrizze meg a csomagolást a garanciaidő lejáratának a végéig.

5. Rendeltetés szerinti használat

A gáz üzemű hőlégfűvő csak kizárólag jó szellőztetett termekben vagy a szabadban történő fűtésre, épület szárításra és jégtelenítésre van meghatározva.

HGG 110 Niro: A jó szellőztetett termekben legalább 280 cm²-es szellőztetési és a kiszellőztetési nyílásokat kell előrelátni. Nem szabad a 112 m³-es minimális teremmagyságnál kisebb lennie.

HGG 171 Niro: A jó szellőztetett termekben legalább 450 cm²-es szellőztetési és a kiszellőztetési nyílásokat kell előrelátni. Nem szabad a 170 m³-es minimális teremmagyságnál kisebb lennie.

Nem szabad a gáz üzemű hőlégfűvőt pincében vagy a földszint alatt (a föld szintje alatt levő termek) üzemeltetni. A gáz üzemű hőlégfűvő nem lett házi használatra meghatározva.

A gáz üzemű hőfűvőt csak rendeltetése szerint szabad használni. Ezt túlhaladó bármilyen használat, nem számít rendeltetés szerűnek. Ebből adódó bármilyen kárért vagy bármilyen fajta sérülésért a használó ill. a kezelő felelős és nem a gyártó.

Kérjük vegye figyelembe, hogy a készülékeink rendeltetésük szerint nem az ipari, kézműipari vagy gyári használatra lettek konstruálva. Nem vállalunk szavatosságot, ha a készülék ipari, kézműipari vagy gyári üzemek területén valamint egyenértékű tevékenységek területén van használva.

H**6. Beüzemeltetés előtt****6.1. A hordozófogantyú felszerelése (1-es ábra)**

Csavarozza egy csillagcsavarhúzó és a mellékelt csavarok segítségével a hordozófogantyút (1) feszesen a gépházra (7).

6.2 Csatlakoztatás a gázpalackra (2-es ábra)**6.2.1 Szükséges részek**

A gáz üzemű hőlégfúvónak a gázpalackra történő rácsatlakoztatásához a következő részekre van szükség:

- Szokványos gázpalack 5 ill. 11 kg, max. 13 kg.
- Az EN 13785 szerint ellenőrzött nyomásszabályozó 300mbar üzennyomással, max. 1,5 kg/óra megfelelő a használt gázpalackhoz (benne a szállítás terjedelmében).
- Az EN 1763-1 szerint leellenőrzött tömlővezeték elegendő hosszúságban (max. 1,0 m), amely egy megtörés nélküli felszerelést engedélyez (benne a szállítás terjedelmében).
- Csavarkulcs SW 17 kulcsbősséggel.
- Elismert szivárgást kereső spray vagy habképző szer.

Figyelem! Figyelembe venni a biztonsági utasításokat (2-es fejezet)

Utasítás: A gázpalackot úgy kell felállítani, hogy a tömlővezeték ne legyen megtörődve és megcsavarodva, ne legyen feszeség alatt és ne érintse meg a gáz üzemű hőlégfúvó forró helyeit.

6.2.2 Csatlakoztatás

1. (1-es ábra) Csatlakoztassa a gáztömlőt egy SW 17 (kulcsnyílás 17) csavarkulcs használata mellett a gáz üzemű hőlégfúvó gázcsatlakoztató menetére (3). Húzza feszesre a csavarkötést.
2. (2-es ábra) Csatlakoztassa kézzeli balracsavarás által a nyomásszabályozó (E)

hollandianyát (D) a palackszelep menetével (G) össze. Ne használjon szerszámot – megsérülhet a palackszelep tömítése és ezáltal nincs tovább garantálva a tömörség.

3. (2-es ábra) Balracsavarás által össze kell csatlakoztatni a tömlővezeték (N) a nyomásszabályozó – kimeneti menetével (K), egy megfelelő SW 17-es (kulcsnyílás 17) csavarkulcs használata mellett. Ennél minden esetre egy megfelelő névlegesbősségű másik csavarkulccsal ellen kell tartani a nyomásszabályozó erre előrelátott kulcsfelületén, azért hogy megakadályozza a szabályozó vele történő forgását ill. a nem engedélyezett erőátvitelt. A tömörség biztosítása a csavarkötésnek az előzőleg megnevezett szerszámok általi meghúzása által történik.
4. Egy lékkereső szerrel minden csatlakozási helyet le kell ellenőrizni üzennyomás mellett tömörségre. A tömörség akkor van biztosítva, ha nem mutat buborékképződést. Tiltott a nyílt láng általi tömörség ellenőrzés. Porózusos vagy sérült tömlővezetéseket és armatúrákat azonnal ki kell cserélni.

6.2.3 A gázpalack kicserélése (2-es ábra)

Figyelem! Figyelembe venni a biztonsági utasításokat

1. A folyékony gáz palackot egy jó szellőztetett teremben vagy a szabadban, nyílt tűztől (gyertyától, cigarettától, más nyílt lángú készülékektől) távol kell kicserélni.
2. Bezárni a palackszelepet (F)
3. Megereszteni a hollandianyát (D) a nyomásszabályozón
4. Eltávolítani a nyomásszabályozót (E) a palackról
5. Ellátni a palackszelepmenetet (G) egy védőkupakkal
6. A 6.2.2-es fejezetben leírottak szerint rácsatlakoztatni egy új palackot

7. Kezelés

7.1 Beüzemelés

Utasítások:

- Beüzemeltetés előtt leellenőrizni a gázt vezető részeket, főleg a gáz üzemű hőlégfúvó hosszabb idejű nemhasználatánál, rovarok vagy hasonlók általi eldugulásra. Eldugult gázcsöveknél egy veszélyes lángvisszacsapódás keletkezhet.
- Csak akkor venni üzembe a gáz üzemű hőlégfúvót, ha meggyőződött a gáztömítő és annak a csatlakozásának a tömörségéről (lásd a 7.1.1-es fejezetet).
- Ellenőrizze le, hogy a meglévő feszültség az adattáblán megadott feszültséggel megegyezik e.
- Ha az üzem alatt egy gáztömörítetlenség lépne fel, akkor azonnal lezárni a gázpalackszelepet és kinyitni minden ablakot és ajtót.

7.1.1 A tömörség leellenőrzése

A tömörség leellenőrzéséhez nyitott gázpalackszelepnél és csatlakoztatott nyomásszabályozónál egy szivárgást kereső spray-al, minden ön által létrehozott csavarkötést bepermetezni. Szivárgóság esetén ezeken a helyeken buborékok keletkeznek. Ebben az esetben a palackszelepet azonnal bezárni és mégegyszer utánna húzni a csavarkötéseket. Azután ismételve mégegyszer meg a tömörség leellenőrzését. Ha a tömörítetlenség több próba után még mindig fenn állna, akkor forduljon a vevőszolgálathoz.

7.1.2 A gáz üzemű hőlégfúvó bekapcsolása (1-es ábra)

Figyelem! A gáz üzemű hőlégfúvó bekapcsolásánál mindig a készülékhez oldalt állni vagy mögötte és sohas sem a légkilépő nyílás előtt – megégetés veszélye.

Utasítások:

- Ne mozgassa üzemben a gáz üzemű hőlégfúvót.

- A gáz üzemű hőlégfúvó üzem alatt forró lesz – megégetés veszélye

1. Dugja a hálózati csatlakozót a hálózati dugaszoló aljzatba.
2. Nyissa meg a gázpalackon a gázszelepet.
3. Kapcsolja be a be-kikapcsolót (5) és ellenőrizze le, hogy a légbeszívórács (2) mögött fut e a ventilátor és hogy ki e lesz fújva a légkilépő nyíláson (9) keresztül.
4. Hagyja a ventilátort legalább 30 másodpercig futni és nyomja meg egyidejűleg a gázszelepféjet (4) és a piezogyújtót (8). Ha szükséges, akkor nyomja meg többször a piezogyújtót (8), míg a gázszelepféjet (4) továbbra is nyomva tartja. Gyújtás után a gázszelepféjet (4) még 10 másodpercig nyomva tartani.

Ha a gázszelepféj elengedése után nem égne tovább a gáz üzemű hőlégfúvó, akkor egy újboli gyújtási folyamat előtt a ventilátort még legalább 1 percig hagyni kell futni, amíg teljesen ki nincs fújva a gáz.

Utasítások:

- Nehezebb vagy nem rendszere gyújtásnál okvetlenül leellenőrizni a légátfolyást mielőtt újból indítaná a készüléket. A ventilátort nem szabad leblokkolni és a légbeeresztő és/vagy kieresztő nyílásoknak nem szabad letakarva lenniük.
- Hosszabb, extrém igénybevételnél egy túlságos elpárolgás a gázpalack eljégesezéséhez (dérkeletkezéshez) vezethet. Ebben az esetben egy új illetve egy nagyobb gázpalackot kell a készülékre csatlakoztatni.

7.2 Üzemen kívülre helyezni

7.2.1 A gáz üzemű hőlégfúvó kikapcsolása

1. Zárja be a palackszelepet.
2. Hagyja a gáz üzemű hőlégfúvó lehüléséhez a ventilátort még legalább 2 percig továbbfutni.
3. Kapcsolja ki a ventilátort, azáltal hogy megnyomja a be- kikapcsoló (5).
4. Húzza ki a hálózati csatlakozót a dugaszoló aljzatból.

H

5. Távolítsa el a nyomásszabályozót a gázpalackról.

8. Tisztítás, karbantartás és pótalkatrész megrendelés

8.1 Tisztítás

- A tisztítási és karbantartási munkálatok elkezdése előtt a gázpalackszelepnek be kell zárva, a készüléknek kikapcsolva, az áramhálózatról levéve és lehűlve kell lennie.
- Távolítsa el azután a nyomásszabályozót a gáztömlővel a gázpalackról.
- A gépház tisztításához egy enyhén nedves posztót használni.
- Por általi szennyeződéseket egy porszívóval vagy óvatosan présleggel lehet eltávolítani.

8.2 Karbantartás

- Javításokat és karbantartási munkálatokat a készüléken csak egy engedéllyel rendelkező gázszerelőnek szabad elvégeznie.
- Javításnál csak eredeti pótalkatrészeket szabad használni.
- A hálózati vezetéket rendszeresen le kell ellenőrizni defektekre vagy sérülésekre.
- Egy sérült hálózati vezetéket csak egy villamosági szakembernek vagy az ISC GmbH-nek szabad a rávonatkozó rendeltetések figyelembe vétele mellett kicserélnie.
- A tömlővezetékeket (gáztömlőt) legalább egyszer havonta le kell ellenőrizni és mindig ha kicserélné a folyékony gáz palackot. Ha a tömlővezeték a törékenység vagy más sérülések jeleit mutatná fel, akkor ki kell cserélni ugyanolyan hosszú és ugyanolyan minőségű új tömlővezetékekkel.
- Hosszabb idejű üzemszünetnél, karbantartási és gondozási munkáknál minden gázt vezető csatlakozásnak a tömörségi ellenőrzésével (mint például szivárgást kereső spray-al vagy szappanlúggal) el kell végezni az egész készülék funkció kontrollját valamint a VDE 0701 szerint egy villamosági biztonsági

kontrollt.

8.3. Pótalkatrészek megrendelése

A pótalkatrészek megrendlésénél a következő adatokat kellene megadni:

- A készülék típusát
- A készülék cikk-számát
- A készülék ident- számát
- A szükséges pótalkatrész, pótalkatrész-számát

Aktuális árak és inforációk a www.isc-gmbh.info alatt találhatóak.

9. Tárolás

9.1 Készülék

A készüléket és a készülék tartozékait egy sötét, száraz és fagymentes valamint gyerekek számára nem hozzáférhető helyen tárolni. Az optimális tárolási hőmérséklet 5 és 30°C között van. A készüléket az eredeti csomagolásban megőrizni.

9.2 Folyékonygázpalack

- A folyékonygázpalackot sohasem a házban, a földszint alatt (a föld szintje alatt levő termék) vagy nem szellőztetett helyeken tárolni!
- A folyékonygázpalack szelepjeinek szelepvédőkupakkal und záróanyával kell ellátva lenniük.
- A gázpalackokat – üreseket is – állva kell tárolni.

10. Bekötési tervrajz (3-as ábra)

Q1 Be-ki- kapcsoló
 F1 Biztosító termosztát
 M1 Szellőztetőmotor
 Y1 Hőelek gyújtóbiztosítás (gázszelep)
 Y2 Biztonsági mágnesszelep
 B1 Termoelem
 B2 Piezogyújtás
 B3 Gyújtóelektróda
 B4 Égőfej

11. Technikai adatok

HGG 110 Niro

Névleges hőmegterhelés:	max. (Hi) 11,2 kW
Légteljesítőképesség:	500 m ³ /óra
Csatlakozási érték:	G 30: 815 g/óra
Készülékkategória:	I3B/P
Rendeltetési ország:	HU/CZ/SK
Gázfajta:	Szokványos propán Szokványos bután
Üzemnyomás P:	300 mbar (Propán/Bután)
Hálózati csatlakozás:	230 V ~ 50 Hz, 0,17 A, 38 W
Hőmérsékletosztály:	57°C

HGG 171 Niro

Névleges hőmegterhelés:	max. (Hi) 17 kW
Légteljesítőképesség:	500 m ³ /óra
Csatlakozási érték:	G 30: 1340 g/óra
Készülékkategória:	I3B/P
Rendeltetési ország:	HU/CZ/SK
Gázfajta:	Szokványos propán Szokványos bután
Üzemnyomás P:	300 mbar (Propán/Bután)
Hálózati csatlakozás:	230 V ~ 50 Hz, 0,17 A, 38 W
Hőmérsékletosztály:	75°C

12. Megsemmisítés és újrahaznosítás

A szállítási károk megakadályozására a készülék egy csomagolásban található. Ez a csomagolás nyersanyag és ezáltal ismét felhasználható vagy pedig visszavezethető a nyersanyag körforgáshoz. A készülék és annak a tartozékai különböző anyagokból állnak, mint például fémből és műanyagokból. Vigye a károsult alkatrészeket a különhulladék megsemmisítési helyhez. Érdeklődjön utána a szaküzletben vagy a községi közigazgatásnál!



Csak az EU-országoknak

Ne dobja az elektromos szerszámokat a háztartási hulladék közé!

Az elektromos- és elektronikus-öregkészülékek 2002/96/EK európai irányvonala és a nemzeti jogba való átvétele szerint az elhasznált elektromos szerszámokat szétválasztva kell összegyűjteni és vissza kell vezetni egy környezetvédelemnek megfelelő újrafelhasználáshoz.

Recycling-alternatívák a visszaküldési felszólításhoz:

Az elektromos készülék tulajdonosa, a tulajdon feladása esetében köteles a visszaküldés helyett alternatív a szakszerű értékesítéssel összedolgozni. Ehhez az öreg készüléket egy visszavevő helynek is át lehet hagyni, amely elvégzi a nemzeti körforgásipari- és hulladéktörvények értelmében levő megsemmisítést. Ez nem érinti az öreg készülékek mellékelt elektromos alkatrészek nélküli tartozékait és segítőeszközeit.

H

13. Utasítások a hibaelhárításhoz

Ha a készülék helyesen lesz üzemeltetve, akkor nem szabad zavaroknak fellépni. Zavarok esetén ellenőrizze le a következő lehetőségeket, mielőtt értesítené a vevőszolgálatot.

Zavar	Lehetséges okok	Intézkedés
Nem fut a ventilátor	- Áramhiány	- Leellenőrizni a hálózati csatlakozót, - Leellenőrizni a hálózati ellátást, adott esetben kicserélni a hálózati kábelt
Nem gyújt a készülék	- Defektes a gyújtókábel - Laza a gyújtókábel - Túl nagy az elektróda és a gyújtófej közötti távolság	- Leellenőrizni a gyújtókábelt, és adott esetben kicserélni*. - Leellenőrizni a gyújtókábelt, és adott esetben feszesen rácsatlakoztatni* - 5 mm-re beállítani a távolságot* (lásd a 4-es ábrát).
Nem folyik a gáz	- Üres a gázpalack - Zárva a gázpalackszelep - A készülékben levő biztonsági szelep még nem engedte át a gázt	- Kicserélni a gázpalackot - Megnyitni a szelepet. - Egy új bekapcsolási próba (lásd a 7.1.2-es fejezetet)
Túl magas a gázbeömlés ill. túl nagy a láng	- Defekt a nyomásszabályozó	- Kicserélni a nyomásszabályozót
Az üzem ideje alatt kialszik az égőfej lángja	- Nem eléggé meleg a hőelem - Blokkolva a légbeeresztő és/vagy a kieresztő nyílás - Hiányzik a hálózati feszültség - Szél vagy huzat elfújja a lángot	- Egy új bekapcsolási próba (lásd a 7.1.2-es fejezetet) - Megtisztítani a légbeszívó rácst, eltávolítani a légbeszívás akadályait, leellenőrizni a ventilátor funkcióját - Leellenőrizni a hálózati ellátást, adott esetben kicserélni a hálózati kábelt - A készüléket szélről és huzattól arább állítani fel, hagyni a készüléket egy pár percig lehűlni, majd egy új bekapcsolási próbát elvégezni (lásd a 7.1.2-es fejezetet)

Figyelem!

* Ezeket a munkákat egy kvalifikált, engedéllyel rendelkező szakszemélyzetnek kell elvégeznie.!

1. Увод

⚠ Внимание!

При използване на уреди трябва да се спазват някои мерки за безопасност, за да се предотвратят наранявания и възникване на повреди. Прочетете внимателно ръководството за експлоатация/указанията за безопасна работа. Съхранявайте ги добре, за да разполагате с информацията при необходимост. Ако уредът се използва от други лица, трябва да им предадете ръководството за експлоатация/указанията за безопасна работа. Ние не носим отговорност за злополуки или повреди, възникнали поради несъблюдаване на ръководството и на указанията за безопасна работа.

2. Указания за безопасна работа

⚠ ВНИМАНИЕ

Прочетете всички указания за безопасна работа и инструкциите.

Неспазването на указанията за безопасна работа и на инструкциите може да предизвика токов удар, пожар и/или тежки наранявания.

Съхранявайте всички указания за безопасна работа и инструкциите.

2.1 Общи указания за безопасна работа

- Преди да използвате газовия калорифер, прочетете ръководството за експлоатация.
- Газовият калорифер трябва да се инсталира в съответствие с местните предписания и с настоящото ръководство.
- Разположете захранващия кабел така, че да не съществува опасност от спъване в него.
- При използване на уреда захранващият кабел не трябва да се допира до горещи части на уреда.
- Никога не дърпайте кабела, за да

изключите щепсела от захранващата мрежа! Никога не носете газовия калорифер за захранващия кабел и не го придвижвайте чрез дърпане на кабела.

- Никога не увивайте захранващия кабел около газовия калорифер.
- Никога не притискайте захранващия кабел, не го дърпайте покрай остри ръбове, не го поставяйте над горещи котлони или открит пламък.
- Никога не потапяйте газовия калорифер във вода – **опасност за живота!**
- Никога не обслужвайте калорифера с мокри ръце.
- Никога не отваряйте газовия калорифер и не докосвайте токопроводими части – **опасност за живота!**
- Поставете газовия калорифер така, че постоянно да имате достъп до щепсела.
- Не слагайте газовия калорифер непосредствено под контакт.
- Ако няма да използвате газовия калорифер продължително време, извадете щепсела от контакта и демонтирайте газовата бутилка. Вижте съответната точка от ръководството.
- Не поставяйте външни предмети в отворите на уреда – опасност от токов удар и повреждане на уреда.
- При повреда на захранващия кабел на уреда кабелът трябва да се смени от производителя, от негов оторизиран сервиз или от квалифицирано лице, за да се предотвратят рисковете.
- За да предотвратите щети в следствие на нагряването, не трябва да поставяте пред газовия калорифер предмети, които са чувствителни към нагряване.
- При използване на уреда не докосвайте корпуса и предпазните капаци – опасност от изгаряне.

2.2 Специфични указания за безопасна работа

- Спазвайте техническите предписания за втечен газ.
- Газовият калорифер може да се използва само, ако са монтирани всички части.
- Решетката за засмукване на въздух и отворът за изпускане на въздух не трябва да се намаляват или да се покриват – опасност от пожар.
- При използване на калорифера никога не поставяйте газовата бутилка пред него – опасност от пожар.
- Не поставяйте калорифера, докато работи, върху лесно запалима повърхност – опасност от пожар.
- Използвайте газовия калорифер върху равна, ненаклонена, незапалима и стабилна повърхност.
- Газовият калорифер е предназначен само за лична употреба.
- Помещенията, в които се използва калориферът, трябва да бъдат добре проветриви и вентилирани.
HGG 110 Niro: Осигурете отвори за проветряване и вентилация не по-малки от 280 см². Обемът на помещението не трябва да бъде по-малък от 112 см³.
HGG 171 Niro: Осигурете отвори за проветряване и вентилация не по-малки от 450 см². Обемът на помещението не трябва да бъде по-малък от 170 см³.
- Не използвайте газовия калорифер в приземни етажи или сутерени (подземни помещения).
- Не използвайте калорифера за отопление на жилищни помещения в жилищни сгради. При използване на калорифера в обществени сгради трябва да спазвате местните предписания!
- Не използвайте газовия калорифер в превозни средства като каравани, кемпери или лодки.
- Забранено е постоянното присъствие на хора в помещението, в което се използва калориферът.
- Не използвайте газовия калорифер в помещения, в които има газова бутилка.
- Не използвайте газовия калорифер близо до други отоплителни уреди (минимално разстояние 1 м), запалими или експлозивни материали.
- Газовият калорифер трябва да бъде разположен така, че безопасното разстояние до горими материали, до стени и до корпуса да бъде 2 метра от страната на засмукване на въздуха, 3 метра от страната на изпускане на въздуха, 1 метър от страни и 1,50 метра отгоре.
- Не премествайте газовия калорифер, докато работи.
- Затваряйте вентила на бутилката, преди да премествате калорифера и след като го изключите.
- Използвайте само посочените от производителя видове газ и бутилки.
- Сменяйте бутилката само в добре проветриво помещение, на разстояние от открит пламък (свещи, цигари, други уреди с открит пламък). Вентилът на газовата бутилка трябва да бъде затворен.
- Проверете дали уплътнението на регулатора на налягането е монтирано правилно и дали функционира добре.
- При изтичане на газ не трябва да използвате газовия калорифер или ако калориферът е включен, трябва да спрете подаването на газ. Газовият калорифер трябва да бъде проверен и приведен в изправност, преди да го използвате отново.
- При изтичане на газ трябва веднага да затворите спирателния вентил на газовата бутилка и да отворите вратите и прозорците.
- Ако усетите миризма на газ, не включвайте и не изключвайте осветлението, не задействайте други електрически прекъсвачи и не използвайте телефон, радиотелефон или мобилен телефон в зоната на опасността.
- Ако усетите миризма на газ, не използвайте открит пламък (например запалка, кибрит) и не пушете.
- Проверявайте маркучите (газовия маркуч) поне веднъж месечно и всеки

път при смяна на бутилката. Когато маркучите дават индикации за скъсване или за други повреди, трябва да бъдат сменени с нови маркучи със същата дължина и със същото качество.

- Газовият маркуч трябва да се сменя в рамките на посочения период (вижте точка 8.2).
- Проверете изправността и уплътнението на вентила на бутилката. Не използвайте допълнителни уплътнители.
- Не излагайте бутилките на силна слънчева светлина. Съхранявайте ги само в изправено положение.
- Използвайте газовия калорифер само с междинен регулатор на налягане с допустимо изходно налягане. Вижте табелката на уреда и настройките на производителя.
- Не прегъвайте и не усуквайте газовия маркуч.
- **Пускането в експлоатация и запалването трябва задължително да се извършат съгласно ръководството.**
- Изключете уреда, ако не можете да го оставите да работи, без да го наблюдавате.

Уредът не трябва да се използва от лица (включително деца) с ограничени физически, сетивни или душевни способности или с недостатъчно опит и/или знания, дори и ако компетентно лице ги наблюдава за тяхна сигурност или им дава указания как да използват уреда. Наблюдавайте децата, за да сте сигурни, че не играят с уреда.

3. Описание на уреда (фигура 1)

- 1 Дръжка
- 2 Решетка за засмукване на въздух
- 3 Съединителна резба за газовия маркуч
- 4 Бутон на газовия вентил
- 5 Бутон за включване/изключване
- 6 Цокъл
- 7 Корпус
- 8 Бутон на пиезо запалката
- 9 Отвор за изпускане на въздух

4. Обем на доставката

- Отворете опаковката и извадете уреда внимателно.
- Отстранете опаковъчния материал и опаковъчните и транспортните обезопасителни елементи (ако има такива).
- Проверете дали няма липси в доставката.
- Проверете уреда и принадлежностите за повреди вследствие на транспортирането.
- При възможност запазете опаковката до изтичане на гаранционния срок.

ВНИМАНИЕ

Уредът и опаковъчният материал не са детска играчка! Не позволявайте на децата да играят с найлонови торбички, фолио и малки елементи! Съществува опасност от поглъщане и задавяне!

- Газов калорифер
- Дръжка с два винта
- Газов маркуч
- Регулатор на налягането 300 милибара
- Оригинално ръководство за експлоатация

BG

5. Целесъобразна употреба

Газовият калорифер е предназначен само за отопление, за изсушаване в строителството и за отстраняване на обледеняване в добре проветриви помещения или на открито.

HGG 110 Niro: За добро проветряване на помещенията осигурете отвори за проветряване и вентилация не по-малки от 280 см². Обемът на помещението не трябва да бъде по-малък от 112 см³.

HGG 171 Niro: За добро проветряване на помещенията осигурете отвори за проветряване и вентилация не по-малки от 450 см². Обемът на помещението не трябва да бъде по-малък от 170 см³.

Не използвайте газовия калорифер в приземни етажи или сутерени (подземни помещения). Газовият калорифер не е предназначен за домашна употреба.

Газовият калорифер трябва да се използва само по предназначение. Всяка друга употреба е нецелесъобразна.

Отговорността за възникнали в следствие на това щети или наранявания от всякакъв вид се поема от потребителя/оператора, а не от производителя.

Имайте предвид, че нашите уреди не са конструирани за производствена, занаятчийска или промишлена употреба. Няма да уважим гаранцията, ако уредът се използва в производствени, занаятчийски или промишлени предприятия, както и при сходни дейности.

6. Преди пускане в експлоатация

6.1. Монтаж на дръжката (фигура 1)

Закрепете дръжката (1) към корпуса (7) с помощта на кръстатата отвертка и доставените винтове.

6.2 Свързване с газовата бутилка (фигура 2)

6.2.1 Необходими части

За свързването на газовия калорифер с газовата бутилка са необходими следните части:

- стандартна газова бутилка от 5 кг. или 11 кг., не повече от 13 кг.;
- регулатор на налягането, проверен по EN 13785, с работно налягане от 300 милибара, не повече от 1,5 кг/час, подходящ за използваната газова бутилка (включен в доставения комплект);
- маркуч, проверен по EN 1763-1, с достатъчна дължина (не повече от 1 метър), който може да бъде монтиран без огъване (включен в доставения комплект);
- гаечен ключ с размер SW 17;
- подходящ спрей за откриване на течове или пенообразуващо средство.

Внимание! Спазвайте указанията за безопасна работа (част 2).

Указание: Поставете газовата бутилка така, че маркучът да не се прегъва и да не се усуква, да не е под напрежение и да не докосва горещи части на калорифера.

6.2.2 Свързване

1. (фигура 1) Свържете газовия маркуч към резбата за маркуча (3) на газовия калорифер, като използвате гаечен ключ SW 17. Затегнете винта.
2. (фигура 2) Свържете съединителната гайка (D) на регулатора на налягането (E) с резбата на вентила на бутилката (G) чрез ръчно завъртане наляво. Не използвайте инструмент, тъй като уплътнението на вентила на бутилката може да се повреди, в следствие на което херметичността няма да бъде гарантирана.
3. (фигура 2) Свържете маркуча (N) с изходната резба (H) на регулатора на налягането чрез завъртане наляво, като за целта използвайте подходящ гаечен

ключ SW 17. За всеки случай трябва да придържате с втори гаечен ключ с подходящ номинален диаметър, поставен на предвиденото за целта място на регулатора на налягането, за да не се върти регулаторът и за да се предотврати силово предаване. Херметичността се постига чрез затягане на винтовото съединение с горепосочения инструмент.

4. Със средство за откриване на течове проверете херметичността на всички места на свързване под работно налягане. Херметичността е гарантирана, ако не се образуват балончета. Не се допуска проверка на херметичността с открит пламък. Веднага трябва да сменяте напуканите и повредените маркучи и принадлежности.

6.2.3 Смяна на газовата бутилка (фигура 2)

Внимание! Спазвайте указанията за безопасна работа.

1. Сменяйте бутилката в добре проветриво помещение или на открито, на разстояние от открит пламък (свещи, цигари, други уреди с открит пламък).
2. Затворете вентила на бутилката (F).
3. Развийте съединителната гайка (D) на регулатора на налягането.
4. Отстранете регулатора на налягането (E) от бутилката.
5. Поставете предпазна тапа на резбата на вентила на бутилката (G).
6. Свържете новата бутилка, както е посочено в точка 6.2.2.

7. Обслужване

7.1 Пускане в експлоатация

Указания:

- Преди пускане в експлоатация, особено след продължителен период, през който не сте използвали газовия калорифер, проверете газопроводните части за

запушване от насекоми и др. Ако газовите тръби са запушени, това може да доведе до опасно въртане на пламък.

- Включете газовия калорифер, едва след като сте проверили херметичността на газовия маркуч и на връзките му (вижте точка 7.1.1).
- Проверете дали напрежението в мрежата съответства на напрежението, което е посочено на фирмената табелка на уреда.
- Ако по време на работа започне да изтича газ, веднага затворете вентила на газовата бутилка и отворете всички врати и прозорци.

7.1.1 Проверка на херметичността

За да проверите херметичността, напръскайте всички винтови съединения, които сте направили, със спрей за откриване на течове при отворен вентил на газовата бутилка и при свързан регулатор на налягането. При наличие на нехерметичност на тези места ще се образуват балончета. В този случай веднага затворете вентила на бутилката и още веднъж затегнете винтовите съединения. След това проверете отново херметичността. Ако след няколко опита нехерметичността не бъде отстранена, трябва да се обърнете към сервиз.

7.1.2 Включване на газовия калорифер (фигура 1)

Внимание! Когато включвате газовия калорифер, винаги заставайте отстрани на уреда или зад него. Никога не заставайте пред отвора за изпускане на въздух – опасност от изгаряне.

Указания:

- Не премествайте газовия калорифер, докато е включен.
- Газовият калорифер се нагрива, докато работи - опасност от изгаряне.

1. Пъхнете щепсела в контакта.
2. Отворете газовия вентил на газовата бутилка.

BG

3. Включете бутона за вкл./изкл. (5) и проверете дали работи вентилаторът зад решетката за засмукване на въздух (2) и дали излиза въздух през отвора за изпускане на въздух (9).
4. Оставете вентилатора да работи поне 30 секунди. Натиснете бутона на газовия вентил (4) и едновременно с него и пиезо запалката (8). При необходимост натиснете няколко пъти пиезо запалката (8), докато натискате бутона на газовия вентил (4). След като запалите, задръжте бутона на газовия вентил (4) натиснат още 10 секунди.

Ако газовият калорифер изгасне след отпускане на бутона на газовия вентил, преди да извършите запалването отново, трябва да оставите вентилатора да работи поне 1 минута, докато газта бъде изцяло отстранена.

Указания:

- При затруднено или нередовно запалване проверете задължително херметичността, преди да включите уреда отново. Вентилаторът не трябва да бъде блокиран и мястото на засмукване и/или на изпускане на въздух не трябва да бъде покрито.
- При по-продължително, екстремно натоварване прекомерните изпарения могат да доведат до обледяване (образуване на скреж) на газовата бутилка. В този случай трябва да свържете към уреда нова или по-голяма газова бутилка.

7.2 Изключване на уреда

7.2.1 Изключване на газовия калорифер

1. Затворете вентила на бутилката.
2. Оставете вентилатора да работи поне още 2 минути, за да се охлади калориферът.
3. Изключете вентилатора, като натиснете бутона за вкл./изкл.(5).
4. Извадете щепсела от контакта.
5. Отстранете регулатора на налягането от газовата бутилка.

58

8. Почистване, поддръжка и поръчване на резервни части

8.1 Почистване

- Преди да започнете да извършвате работите по почистването и поддръжката трябва да затворите вентила на газовата бутилка, да изключите уреда от бутона и от електрическата мрежа и да го оставите да изстине.
- Отстранете регулатора на налягането с газовия маркуч от газовата бутилка.
- За почистване на корпуса използвайте леко влажна кърпа.
- Замърсяванията от прах могат да се почистват с прахосмукачка или внимателно с въздух под налягане.

8.2 Поддръжка

- Ремонтните работи и работите по поддръжката на уреда трябва да се извършват само от оторизиран газов техник.
- При ремонтни дейности трябва да се използват само оригинални резервни части.
- Проверявайте редовно захранващия кабел за дефекти и повреди.
- Повреденият захранващ кабел може да се сменя само от електротехник или от ISC GmbH при съблюдаване на съответните предписания.
- Проверявайте маркучите (газовия маркуч) поне веднъж месечно и всеки път при смяна на бутилката. Когато маркучите дават индикации за скъсване или за други повреди, трябва да бъдат сменени с нови маркучи със същата дължина и със същото качество.
- След продължителен период, през който уредът не е бил използван, както и след извършване на работи по поддръжката и на ремонтни работи, трябва да извършите проверка на целия уред и проверка на херметичността на всички газопроводни съединения (например със спрей за откриване на течове или

със сапунена луга), както и проверка за електрическа безопасност по VDE 0701.

8.3. Поръчване на резервни части

Когато поръчвате резервни части, трябва да посочите следните данни:

- вид на уреда
 - артикулен номер на уреда
 - идентификационен номер на уреда
 - номер на необходимата резервна част.
- Актуални цени и информация ще намерите на интернет страницата www.isc-gmbh.info.

9. Съхранение

9.1 Уред

Съхранявайте уреда и принадлежностите му на тъмно, сухо и незамръзващо място, недостъпно за деца. Оптималната температура на съхранение е между 5°C и 30°C. Съхранявайте уреда в оригиналната опаковка.

9.2 Газова бутилка

- Никога не съхранявайте газовата бутилка външи, под земята (подземни помещения) или на непроветриви места!
- Поставете предпазни тапи и затварящи гайки на вентилите на газовата бутилка.
- Съхранявайте газовите бутилки - дори и празните - в изправено положение.

10. Схема на свързване (фигура 3)

Q1 Бутон за включване/изключване
 F1 Защитен термостат
 M1 Двигател за вентилатора
 Y1 Термоелектрическа защита при запалването (газов вентил)
 Y2 Защитен магнитен вентил
 B1 Термоелемент
 B2 Пиезо запалка
 B3 Запалителен електрод
 B4 Горелка

11. Технически данни

HGG 110 Niro

Номинална топлинна мощност:	не повече от (Hi) 11,2 kW
Разход на въздух:	500 m ³ /h
Мощност:	G 30: 815 g/h
Категория на уреда:	I3B/P
Страна, за която уредът е предназначен:	HR/BG
Вид газ:	стандартен пропан стандартен бутан
Работно налягане P:	300 mbar (пропан/бутан)
Електрозахранване:	230 V ~ 50 Hz, 0,17 A, 38 W
Температурен клас:	57 °C

HGG 171 Niro

Номинална топлинна мощност:	не повече от (Hi) 17 kW
Разход на въздух:	500 m ³ /h
Мощност:	G 30: 1340 g/h
Категория на уреда:	I3B/P
Страна, за която уредът е предназначен:	HR/BG
Вид газ:	стандартен пропан стандартен бутан
Работно налягане P:	300 mbar (пропан/бутан)
Електрозахранване:	230 V ~ 50 Hz, 0,17 A, 38 W
Температурен клас:	75 °C

BG

12. Изхвърляне и преработване

Уредът е опакован с цел предотвратяване на повреди при транспортирането. Опаковката е суровина и може да се преработи или да се използва отново като суровина. Уредът и принадлежностите му се състоят от различни материали, например метал и пластмаса. Изхвърляйте повредените части на специално предназначенията за целта места. Допълнителна информация можете да получите в специализираните магазини или в общината.



Само за страни от ЕС

Не изхвърляйте
електроинструментите при
битовите отпадъци!

Съгласно Европейската директива 2002/96/ЕО за електрически и електронни стари уреди и прилагането в националното право употребените електроинструменти трябва да се събират отделно и да се доставят за екологична повторна употреба.

Алтернатива за рециклиране по отношение на призива за връщане:
Собственикът на електроуредата вместо връщане алтернативно с цел съдействие е задължен по отношение на целесъобразното оползотворяване в случай на отказ от собственост. Старият уред за целта също така може да се предостави в пункт за обратно вземане, където се извършва отстраняване по смисъла на националните закони за събирането, извозването, складирането и рециклирането на отпадъци. Това не засяга приложените към старите уреди отделни части от принадлежностите и помощни средства без електрически компоненти.

13. Указания за отстраняване на повреди

Ако използвате уреда правилно, не трябва да възникват повреди. При възникване на повреди извършете следните проверки, преди да се обърнете към сервис.

Повреда	Вероятна причина	Мерки
Вентилаторът не работи.	- Няма ток.	- Проверете щепсела. - Проверете електрозахранването, при необходимост сменете захранващия кабел*.
Запалването на уреда не работи.	- Кабелът за запалването е повреден. - Кабелът за запалването не е свързан. - Разстоянието между електрода и горелката е много голямо.	- Проверете кабела за запалването, при необходимост го сменете*. - Проверете кабела за запалването, при необходимост го свържете*. - Регулирайте разстоянието на 5 мм (вижте фигура 4).
Не се подава газ.	- Газовата бутилка е празна. - Вентилът на газовата бутилка е затворен. - Предпазният вентил на уреда все още не е пропуснал газ.	- Сменете газовата бутилка. - Отворете вентила. - Опитайте се да извършите запалването отново (вижте точка 7.1.2.)
Подава се твърде много газ или пламъкът е много силен.	- Регулаторът на налягането е повреден.	- Сменете регулатора на налягането.
Пламъкът от горелката изгасва по време на работа на уреда.	- Термодвойката не е достатъчно загрята. - Засмукването и/или изпускането на въздух са блокирани. - Няма напрежение на електрическата мрежа. - Вятър или въздушно течение изгасят пламъка.	- Опитайте се да извършите запалването отново. (вижте точка 7.1.2) - Почистете решетката за засмукване на въздух, отстранете пречките за засмукването на въздух, проверете как работи вентилаторът. - Проверете електрозахранването, при необходимост сменете захранващия кабел*. - Поставете уреда далеч от вятър и въздушно течение. Оставете уреда да изстине за няколко минути. След това се опитайте да извършите запалването отново (вижте точка 7.1.2).

Внимание!

*Тези дейности трябва да се извършват от квалифицирани и оторизирани специалисти!

CZ

1. Úvod

⚠ **Pozor!**

Při používání přístrojů musí být dodržována určitá bezpečnostní opatření, aby se zabránilo zraněním a škodám. Přečtěte si proto pečlivě tento návod k obsluze / bezpečnostní pokyny. Dobře si ho/je uložte, abyste měli tyto informace kdykoliv po ruce. Pokud předáte přístroj jiným osobám, předejte s ním prosím i tento návod k obsluze / bezpečnostní pokyny. Nepřebíráme žádné ručení za škody a úrazy vzniklé v důsledku nedodržování tohoto návodu k obsluze a bezpečnostních pokynů.

2. Bezpečnostní pokyny

⚠ **VAROVÁNÍ**

Přečtěte si všechny bezpečnostní pokyny a instrukce. Zanedbání při dodržování bezpečnostních pokynů a instrukcí mohou mít za následek úder elektrickým proudem, požár a/nebo těžká zranění.

Všechny bezpečnostní pokyny a instrukce si uložte pro budoucí použití.

2.1 Všeobecné bezpečnostní pokyny

- Před použitím plynového topidla si přečíst návod k obsluze.
- Plynové topidlo musí být instalováno v souladu s národními předpisy a příslušně podle tohoto návodu.
- Kabel vést tak, aby neohrozilo nebezpečí klopýtnutí o kabel.
- Při provozu nevést síťové vedení přes horké díly přístroje.
- Síťovou zástrčku nikdy nevytahovat ze zásuvky za síťový kabel! Plynové topidlo nikdy nenosit za síťový kabel nebo jím pohybovat tažením za síťový kabel.
- Nikdy neomotávat síťové vedení okolo plynového topidla.
- Síťové vedení nikdy nepřiskřípnout, nevést ho přes ostré hrany, horké sporákové plotýnky nebo ho nepokládat do otevřeného ohně.
- Plynové topidlo nikdy neponořovat do vody

– **nebezpečí života!**

- Plynové topidlo nikdy neobsluhovat mokřýma rukama.
- Plynové topidlo nikdy neotvírat a nedotýkat se dílů pod napětím – **nebezpečí života!**
- Plynové topidlo umístit tak, aby byla síťová zástrčka kdykoliv přístupná.
- Plynové topidlo neumísťovat bezprostředně pod zásuvkou.
- Pokud je plynové topidlo delší dobu mimo provoz, vytáhnout síťovou zástrčku a odstranit plynovou láhev! Dbejte příslušných kapitol uvedených v tomto návodu.
- Do otvorů přístroje nezavádět žádná cizí tělesa - nebezpečí úderu elektrickým proudem a poškození přístroje.
- Pokud je poškozeno síťové napájecí vedení tohoto přístroje, musí být nahrazeno výrobcem nebo jeho zákaznickým servisem nebo podobně kvalifikovanou osobou, aby se zabránilo nebezpečím.
- K zabránění škod vlivem tepla nesmí být naproti plynovému topidlu umístěny žádné předměty citlivé na teplo.
- Při provozu se nedotýkejte tělesa a ochranných krytů - nebezpečí zranění.

2.2 Bezpečnostní pokyny specifické pro přístroj

- Dodržujte technické předpisy pro kapalný plyn.
- Plynové topidlo smí být provozováno pouze kompletně smontované.
- Mřížka nasávání vzduchu a otvor výstupu vzduchu se nesmí zmenšovat nebo zakrývat - nebezpečí požáru -
- Během provozu nikdy nestavte plynovou láhev před plynové topidlo - nebezpečí požáru -
- Plynové topidlo nesmí být provozováno na lehce zápalném podkladu - nebezpečí požáru -
- Plynové topidlo provozovat na rovné, nenakloněné, nehořlavé a stabilní ploše.
- Plynové topidlo je určeno pouze pro soukromé použití.
- Místnosti instalace musí být dostatečně provětrávány.
HGG 110 Niro: Musí být zajištěny větrací a odvětrávací otvory minimálně 280 cm².

Minimální velikost místnosti nesmí být menší než 112 m³.
HGG 171 Niro: Musí být zajištěny větrací a odvětrávací otvory minimálně 450 cm².
Minimální velikost místnosti nesmí být menší než 170 m³.

- Plynové topidlo nesmí být provozováno v suterénech nebo pod úrovní země (v prostorách pod povrchem země).
- Plynové topidlo nesmí být používáno na vytápění obyvatelných místností v obytných budovách. Při používání ve veřejných budovách je třeba dodržovat národní předpisy!
- Plynové topidlo nepoužívat v rekreačních vozidlech jako jsou karavany, obytné automobily a čluny.
- Trvalý pobyt osob v místnosti instalace je zakázán.
- Nepoužívejte plynové topidlo v místnostech, kde se nachází plynová láhev.
- Plynové topidlo nesmí být provozováno v blízkosti jiných topidel (minimální odstup 1 m), zápalných nebo výbušných materiálů.
- Plynové topidlo musí být postaveno tak, aby byl bezpečnostní odstup hořlavých materiálů a stěn od tělesa na straně nasávání vzduchu 2 m, na straně výstupu vzduchu 3 m, bočně 1 m a směrem nahoru 1,50 m.
- Plynové topidlo nepohybovat, pokud je v provozu.
- Před posunutím a po provozu plynového topidla je třeba zavřít ventil láhve s kapalným plynem.
- Používat pouze výrobcem uvedené druhy plynu a láhve s kapalným plynem.
- Láhev s kapalným plynem vyměňovat v dobře větrané místnosti, v dostatečné vzdálenosti od otevřeného plamene (svíčky, cigarety, jiné přístroje s otevřeným plamenem). Ventil plynové láhve přitom musí být zavřený.
- Zkontrolujte, zda je těsnění regulátoru tlaku správně namontováno a zda může plnit svoji funkci.
- V případě netěsnosti nesmí být plynové topidlo používáno, nebo pokud je v provozu, musí být zastaven přívod plynu a plynové topidlo musí být před opětovným

používáním zkontrolováno a spraveno.

- V případě netěsnosti je třeba ihned uzavřít uzavírací ventil plynové láhve a otevřít dveře a okna.
- Při zápachu plynu nezapínejte nebo nevypínejte světlo, nestlačujte žádné jiné elektrické spínače a nepoužívejte telefon, vysílačku nebo mobilní telefon v oblasti nebezpečí.
- Při zápachu plynu nepoužívejte žádný otevřený plamen (např. zapalovač, zápalky) a nekuřte.
- Nejméně jednou za měsíc a pokaždé při výměně láhve s kapalným plynem, je třeba zkontrolovat hadicová vedení (plynová hadice). Pokud hadicová vedení vykazují příznaky zlomení nebo jiného poškození, musí být vyměněna za nová hadicová vedení stejné délky a kvality.
- Plynovou hadici je třeba vyměnit v rámci předepsaných časových intervalů (viz kapitola 8.2).
- Kontrolujte řádný stav a přítomnost těsnění na ventilu láhve. Nesmí být používána žádná dodatečná těsnění.
- Láhve s kapalným plynem chránit před silným slunečním zářením a skladovat pouze ve svislé poloze.
- Plynové topidlo smí být provozováno pouze se zapojeným regulátorem tlaku s přípustným výstupním tlakem, viz štítek na přístroji a nastavení ze závodu.
- Plynová hadice nesmí být zalomena nebo překroucena.
- **Uvedení do provozu a zapalování provést bezpodmínečně** podle návodu.
- Pokud nemůže být Váš přístroj ponechán v bezpečném stavu bez dozoru, vypněte ho.

Tento přístroj není určen k tomu, aby ho obsluhovaly osoby (včetně dětí) s omezenými fyzickými, sensorickými nebo duševními schopnostmi nebo s nedostatkem zkušeností a/nebo s nedostatkem znalostí, ledaže by byly pod dohledem osoby odpovědné za jejich bezpečnost nebo od ní obdržely pokyny, jak přístroj používat.

Děti by měly být pod dohledem, aby bylo zaručeno, že si nebudou s přístrojem hrát.

CZ

3. Popis přístroje (obr. 1)

- 1 Nosná rukojeť
- 2 Mřížka nasávání vzduchu
- 3 Připojovací závit plynu
- 4 Tlačítko plynového ventilu
- 5 Za-/vypínač
- 6 Podstavec
- 7 Těleso
- 8 Tlačítko piezozapalovače
- 9 Otvor výstupu vzduchu

4. Rozsah dodávky

- Otevřete balení a přístroj opatrně vyjměte z balení.
- Odstraňte obalový materiál a ochrany balení / dopravní pojistky (jsou-li k dispozici).
- Překontrolujte, zda je rozsah dodávky kompletní.
- Zkontrolujte přístroj a příslušenství, zda nebyly při přepravě poškozeny.
- Balení si pokud možno uložte až do uplynutí záruční doby.

POZOR!

**Přístroj a obalový materiál nejsou dětská hračka! Děti si nesmějí hrát s plastovými sáčky, fóliemi a malými díly!
Hrozí nebezpečí spolknutí a udušení!**

- Plynové topidlo
- Nosná rukojeť s 2 šrouby
- Plynová hadice
- Regulátor tlaku 300 mbar
- Originální návod k obsluze

5. Použití podle účelu určení

Plynové topidlo je určeno výhradně k vytápění, vysoušení staveb a rozmrazování v dobře větraných prostorách nebo ve volném prostoru.

HGG 110 Niro: Pro dobře větrané místnosti je třeba zajistit větrací a odvětrávací otvory minimálně 280 cm². Minimální velikost místnosti nesmí být menší než 112 m³.

HGG 171 Niro: Pro dobře větrané místnosti je třeba zajistit větrací a odvětrávací otvory minimálně 450 cm². Minimální velikost místnosti nesmí být menší než 170 m³.

Plynové topidlo nesmí být provozováno v suterénech nebo pod úrovní země (v prostorách pod povrchem země). Plynové topidlo není určeno pro domácí použití.

Plynové topidlo smí být používáno pouze podle svého účelu určení. Každé další, toto překračující použití, neodpovídá použití podle účelu určení. Za z toho vyplývající škody nebo zranění všeho druhu ručí uživatel/obsluhující osoba a ne výrobce.

Dbejte prosím na to, že naše přístroje nebyly podle svého účelu určení konstruovány pro živnostenské, řemeslnické nebo průmyslové použití. Nepřebíráme proto žádné ručení, pokud je přístroj používán v živnostenských, řemeslných nebo průmyslových podnicích a při srovnatelných činnostech.

6. Před uvedením do provozu

6.1. Montáž nosné rukojeti (obr. 1)

Přišroubujte pevně nosnou rukojeť (1) pomocí křížového šroubováku a přiložených šroubů na těleso (7).

6.2 Připojení na plynovou láhev (obr. 2)

6.2.1 Potřebné díly

Na připojení plynového topidla na plynovou láhev jsou potřebné následující díly:

- Běžná plynová láhev 5 resp. 11 kg, max. 13 kg.
- Podle EN 13785 přezkoušený regulátor tlaku 300 mbar provozní tlak. max. 1,5 kg/h podle používané plynové láhve (v rozsahu dodávky).
- Podle EN 1763-1 přezkoušené hadicové vedení dostatečné délky (max. 1,0 m), které dovoluje montáž bez zalomení (v rozsahu dodávky).
- Klíč na šrouby velikosti 17.
- Uznávaný sprej na vyhledávání netěsností nebo prostředek vytvářející pěnu.

Pozor! Dodržovat bezpečnostní pokyny (kapitola 2)

Pokyn: Plynová láhev musí být postavena tak, aby nebylo hadicové vedení zalomeno nebo překrouceno, nebyla pod napětím a nedotýkala se žádných horkých míst plynového topidla.

6.2.2 Připojení

1. (Obr. 1) Připojte plynovou hadici za použití klíče na šrouby velikosti 17 na přípojovací závit plynu (3) plynového topidla. Utáhněte šroubový spoj.
2. (Obr. 2) Převlečnou matici (D) regulátoru tlaku (E) spojte ručně otáčením doleva se závitem ventilu láhve (G). Nepoužívejte žádné nářadí - těsnění ventilu láhve by se mohlo poškodit a tím by nebyla už zaručena těsnost.
3. (Obr. 2) Hadicové vedení (N) se musí spojit otáčením doleva s výstupním závitem regulátoru tlaku (K) za použití vhodného

klíče na šrouby vel. 17. Přitom je v každém případě třeba druhým klíčem na šrouby odpovídající velikosti přidržovat regulátoru tlaku za plochy určené pro klíč, aby se zabránilo otáčení regulátoru resp. nepřipustnému přenesení sil. Zajištění těsnosti se provádí utážením šroubového spoje s výše jmenovaným nářadím.

4. Pomocí prostředku na vyhledávání netěsností se musí zkontrolovat těsnost všech spojů při provozním tlaku. Těsnost je zajištěna, pokud se nevytváří bublinky. Zkouška těsnosti s otevřeným plamenem je nepřipustná. Porézní nebo poškozená hadicová vedení a armatury se musí ihned vyměnit.

6.2.3 Výměna plynové láhve (obr. 2)

Pozor! Dodržovat bezpečnostní pokyny

1. Láhev s kapalným plynem vyměňovat v dobře větrané místnosti nebo ve volném prostranství, v dostatečné vzdálenosti od otevřeného plamene (svíčky, cigarety, jiné přístroje s otevřeným plamenem).
2. Zavřít ventil láhve (F)
3. Převlečnou matici (D) uvolnit z regulátoru tlaku
4. Regulátor tlaku (E) odebrat z láhve
5. Na závit ventilu láhve (G) nasadit ochrannou čepičku
6. Novou láhev připojit tak, jak je popsáno v kapitole 6.2.2

7. Obsluha

7.1 Uvedení do provozu

Pokyny:

- Před uvedením do provozu, zvláště po delším nepoužívání plynového topidla, zkontrolujte díly vedoucí plyn, zda nejsou ucpané hmyzem apod. Při ucpaných plynových trubkách může dojít k nebezpečnému zpětnému výšlehu plamene.
- Plynové topidlo uvést do provozu teprve poté, co jste se přesvědčili o těsnosti plynové hadice a jejích spojů (viz kapitola 7.1.1).

CZ

- Zkontrolujte, zda existující napětí souhlasí s napětím uvedeným na typovém štítku.
- Vyskytne-li se během provozu netěsnost plynového vedení, musí se ihned zavřít ventil plynové láhve a otevřít všechna okna a dveře.

7.1.1 Zkouška těsnosti

Při zkoušce těsnosti nastříkejte při otevřeném ventilu plynové láhve a připojeném regulátoru tlaku sprejem na vyhledávání netěsností všechny Vámi vytvořené šroubové spoje. Při netěsnosti vzniknou na těchto místech bublinky. V tomto případě ihned zavřete ventil láhve a utáhněte znovu šroubové spoje. Poté zopakujte zkoušku těsnosti ještě jednou. Pokud by se měla netěsnost objevit i po více pokusech, obraťte se na Váš zákaznický servis.

7.1.2 Zapnutí plynového topidla (obr. 1)

Pozor! Při zapínání plynového topidla stůjte vždy vedle nebo za přístrojem a nikdy před otvorem výstupu vzduchu - nebezpečí popálení.

Pokyny:

- Plynové topidlo nepohybovat v provozu.
 - Plynové topidlo se při provozu zahřeje - nebezpečí popálení.
1. Zapojte síťovou zástrčku do zásuvky.
 2. Otevřete plynový ventil na plynové láhvi.
 3. Zapněte za-/vypínač (5) a zkontrolujte, zda běží ventilátor za mřížkou nasávání vzduchu (2) a zda je vzduch vyfukován z otvoru výstupu vzduchu (9).
 4. Nechte ventilátor běžet minimálně 30 sekund a stiskněte tlačítko plynového ventilu (4) a současně piezozapalovač (8). Pokud je to nutné, stlačte piezozapalovač (8) několikrát, zatímco dále držíte tlačítko plynového ventilu (4). Po zapálení držte tlačítko plynového ventilu (4) ještě 10 sekund.

Pokud by po puštění tlačítka plynového ventilu nemělo plynové topidlo dále hořet, musí před opětovným zapálením ventilátor běžet ještě minimálně 1 minutu, dokud nebude plyn úplně vyfouknutý.

66

Pokyny:

- Při ztíženém nebo nepravidelném zapalování bezpodmínečně kontrolujte průchod vzduchu, než přístroj opět zapnete. Ventilátor nesmí být blokován a strana vstupu a/nebo výstupu vzduchu nesmí být zakryta.
- Při delším, extrémním zatížení může nadměrné odpařování vést k namrznutí (tvorba jinovatky) plynové láhve. V tomto případě je třeba k přístroji připojit novou resp. větší plynovou láhev.

7.2 Odstavení z provozu**7.2.1 Vypnutí plynového topidla**

1. Zavřete ventil láhve.
2. Ventilátor nechte dále běžet kvůli ochlazení plynového topidla ještě minimálně 2 minuty.
3. Stlačením za-/vypínače (5) ventilátor vypněte.
4. Vytáhněte zástrčku ze zásuvky.
5. Odstraňte regulátor tlaku z plynové láhve.

8. Čištění, údržba a objednání náhradních dílů**8.1 Čištění**

- Před začátkem čisticích a údržbářských prací musí být ventil plynové láhve zavřen, přístroj vypnut, oddělen od sítě a ochlazen.
- Odstraňte poté regulátor tlaku spolu s plynovou hadicí z plynové láhve.
- Na čištění tělesa používat lehce navlhčený hadr.
- Nečistoty způsobené prachem odstranit vysavačem nebo opatrně stlačeným vzduchem.

8.2 Údržba

- Opravy a údržbu na přístroji smí provádět pouze autorizovaný plynář.
- Při opravách smějí být používány pouze originální náhradní díly.
- Síťové vedení musí být pravidelně kontrolováno, zda není defektní nebo nevykazuje poškození.
- Poškozené síťové vedení smí být vyměněno

pouze odborným elektrikářem nebo firmou ISC GmbH za dodržení příslušných nařízení.

- Nejméně jednou za měsíc a pokaždé při výměně láhve s kapalným plynem, je třeba zkontrolovat hadicová vedení (plynová hadice). Pokud hadicová vedení vykazují příznaky zlomení nebo jiného poškození, musí být vyměněna za nová hadicová vedení stejné délky a kvality.
- Po delší době nečinnosti, údržbářských a opravárenských pracích musí být provedena kontrola funkčnosti celého přístroje spolu s kontrolou těsnosti všech spojů plynového vedení (např. pomocí spreje na vyhledávání netěsností nebo mýdlové vody) a také kontrola bezpečnosti elektrického vedení podle normy VDE 0701

8.3. Objednání náhradních dílů

Při objednávce náhradních dílů je třeba uvést následující údaje:

- Typ přístroje
- Číslo artiklu přístroje
- Identifikační číslo přístroje
- Číslo požadovaného náhradního dílu

Aktuální ceny a informace naleznete na www.isc-gmbh.info

9. Uložení

9.1 Přístroj

Skladujte přístroj a jeho příslušenství na tmavém, suchém a nezamrzajícím místě a mimo dosah dětí. Optimální teplota skladování leží mezi 5 a 30 °C. Uložte přístroj v originálním balení.

9.2 Láhev s kapalným plynem

- Láhev s kapalným plynem nikdy neskladujte v domě, pod úrovní země (v prostorách pod povrchem země) nebo na nevětraných místech!
- Ventily láhve s kapalným plynem musí být vybaveny ventilovými ochrannými čepičkami a uzavíracími maticemi.
- Plynové láhve - i ty prázdné - musí být skladovány ve svislé poloze.

10. Schéma zapojení (obr. 3)

Q1 Za-/vypínač
 F1 Pojistný termostat
 M1 Motor ventilátoru
 Y1 Termoelektrická pojistka zapalování (plynový ventil)
 Y2 Bezpečnostní elektromagnetický ventil
 B1 Tepelný článek
 B2 Piezozapalovač
 B3 Zapalovací elektroda
 B4 Hořák

11. Technická data

HGG 110 Niro

Jmenovité tepelné zatížení:	max. (Hi) 11,2 kW
Průtok vzduchu:	500 m ³ /h
Jmenovitý příkon:	G 30: 815 g/h
Kategorie přístroje:	I3B/P
Země určení:	HU/CZ/SK
Druh plynu:	běžně dostupný propan běžně dostupný butan
Provozní tlak P:	300 mbar (propan/butan)
Síťová přípojka:	230 V ~ 50 Hz, 0,17 A, 38 W
Teplotní třída:	57 °C

HGG 171 Niro

Jmenovité tepelné zatížení:	max. (Hi) 17 kW
Průtok vzduchu:	500 m ³ /h
Jmenovitý příkon:	G 30: 1340 g/h
Kategorie přístroje:	I3B/P
Země určení:	HU/CZ/SK
Druh plynu:	běžně dostupný propan běžně dostupný butan
Provozní tlak P:	300 mbar (propan/butan)
Síťová přípojka:	230 V ~ 50 Hz, 0,17 A, 38 W
Teplotní třída:	75 °C

CZ

12. Likvidace a recyklace

Přístroj je uložen v balení, aby bylo zabráněno poškození při přepravě. Toto balení je surovina a tím znovu použitelné nebo může být dáno zpět do cirkulace surovin. Přístroj a jeho příslušenství jsou vyrobeny z rozdílných materiálů, jako např. kov a plasty. Defektní součástky odevzdejte k likvidaci zvláštních odpadů. Zeptejte se v odborné prodejně nebo na místním zastupitelství!



Jen pro země EU

Elektrické nářadí a přístroje neodhazujte do domovního odpadu!

Podle evropské směrnice 2002/96/ES o odpadních elektrických a elektronických zařízeních (OEEZ) a při prosazování národního práva musí být spotřebované elektrické nářadí sbíráno samostatně a musí být dopraveno do odpovídajícího ekologického recyklačního závodu.

Alternativa recyklace k výzvě na zpětné odeslání výrobku:

Vlastník elektrického přístroje je povinen alternativně namísto zpětného odeslání zařízení spolupůsobit při jeho správném zužitkování v případě, že se vzdá jeho vlastnictví. Starý přístroj lze v takovém případě odevzdat také ve sběrně, která provede odstranění ve smyslu národního zákona o recyklaci a odpadech. Tyto předpisy se nevztahují na díly příslušenství a pomocné prostředky bez elektrických součástí přidané ke starým přístrojům.

13. Pokyny k odstranění poruch

Pokud je přístroj správně provozován, neměly by se vyskytnout žádné poruchy. Při poruchách překontrolujte následující možnosti dříve, než budete informovat zákaznický servis.

Porucha	Možná příčina	Opatření
Ventilátor neběží	- Žádný proud	- Zkontrolovat síťovou zástrčku - Zkontrolovat síťové napájení příp. vyměnit síťový kabel*
Přístroj nezapaluje	- Defektní zapalovací kabel - Uvolněný zapalovací kabel - Vzdálenost mezi elektrodou a hořákem příliš velká	- Zkontrolovat zapalovací kabel, příp. vyměnit.* - Zkontrolovat zapalovací kabel, příp. pevně připojit* - Vzdálenost nastavit na 5 mm * (viz obr. 4)
Příliš velký výstup plynu resp. velký plamen	- Plynová láhev prázdná - Ventil plynové láhve zavřen - Bezpečnostní ventil v přístroji ještě neuvolnil plyn	- Vyměnit plynovou láhev - Otevřít ventil. - Nový pokus o zapnutí (viz kapitola 7.1.2)
Příliš velký výstup plynu resp. velký plamen	- Defektní regulátor tlaku	- Vyměnit regulátor tlaku
Plamen hořáku zhasne během provozu	- Tepelný článek není dostatečně zahřátý - Vstup a/nebo výstup vzduchu blokován - Žádné síťové napětí - Vítr nebo průvan uhasil plamen	- Nový pokus o zapnutí (viz kapitola 7.1.2) - Vycistit mřížku nasávání vzduchu, odstranit překážky pro nasávání vzduchu, zkontrolovat funkci ventilátoru - Zkontrolovat síťové napájení příp. vyměnit síťový kabel* - Přístroj postavit stranou od větru a průvanu, přístroj nechat několik minut ochladit, pak nový pokus o zapnutí (viz kapitola 7.1.2)

Pozor!

* Tyto práce musí být prováděny pouze kvalifikovaným autorizovaným odborným personálem!

**HR/
BIH**

1. Uvod

⚠ **Pozor!**

Tijekom uporabe uređaja morate se pridržavati sigurnosnih propisa kako biste spriječili nastanak ozljeda i šteta. Zato pažljivo pročitajte ove upute za uporabu/ sigurnosne napomene. Dobro ih sačuvajte tako da Vam informacije u svako doba budu na raspolaganju. Ako biste ovaj uređaj trebali predati drugim osobama, prosljedite im i ove upute za uporabu. Ne preuzimamo jamstvo za štete nastale zbog nepridržavanja ovih uputa za uporabu i sigurnosnih napomena.

2. Sigurnosne napomene

⚠ **UPOZORENJE**

Pročitajte sve sigurnosne napomene i upute. Propusti kod pridržavanja sigurnosnih napomena i uputa mogu uzrokovati električni udar, požar i/ili teške ozljede.

Sačuvajte sve sigurnosne napomene i upute za ubuduće.

2.1 Opće sigurnosne napomene

- Prije korištenja plinskog kalorifera pročitajte upute za uporabu.
- Plinski kalorifer mora se instalirati u skladu s državnim propisima i ovim uputama.
- Mrežni kabel položite tako da se nitko ne spotakne o njega.
- Mrežni kabel nemojte polagati preko vrućih dijelova uređaja koji radi.
- Nikad nemojte izvlačiti mrežni utikač iz utičnice držeći ga za kabel! Nemojte nositi uređaj niti ga pomicati držeći ga za mrežni kabel.
- Nikad ne obavijajte mrežni kabel oko uređaja.
- Ne uklješćujte mrežni kabel, ne vucite ga preko oštih rubova, ne polažite preko vrućih ploča štednjaka ili otvorenog plamena.
- Nikad ne uranjajte plinski kalorifer u vodu – **životna opasnost!**
- Nikada ne rukujte plinskim kaloriferom

mokrim rukama.

- Nikad ne otvarajte plinski kalorifer i ne dodirujte dijelove koji su pod naponom – **životna opasnost!**
- Uređaj postavite tako da mrežni utikač bude lako pristupačan.
- Ne postavljajte plinski kalorifer neposredno ispod utičnice.
- Ako plinski kalorifer nećete koristiti dulje vrijeme, izvucite mrežni utikač! Pridržavajte se odgovarajućeg poglavlja u ovim uputama.
- U otvore na uređaju ne smiju dospjeti strana tijela – opasnost od strujnog udara i oštećenja uređaja.
- Ako se kabel za priključivanje ovog uređaja na strujnu mrežu ošteti, mora ga zamijeniti proizvođač ili njegova servisna služba ili slično kvalificirana osoba kako bi se izbjegle opasnosti.
- Da bi se izbjegla oštećenja uslijed djelovanja visoke temperature, nasuprot plinskog kalorifera ne smiju se smještati predmeti osjetljivi na visoku temperaturu.
- Ne dodirujte kućište i zaštitne poklopce dok uređaj radi – opasnost od zadobivanja opekotina.

2.2 Sigurnosne napomene specifične za uređaj

- Pridržavajte se Tehničkih pravila za tekući plin.
- Plinski kalorifer smije se koristiti samo ako je u cijelosti montiran.
- Rešetka na ulazu zraka i otvor za izlaz zraka ne smiju se smanjivati ni prekrivati – opasnost od požara –
- Tijekom rada kalorifera nikad ne stavljajte plinsku bocu ispred kalorifera – opasnost od požara –
- Plinski kalorifer ne smije se koristiti na lakozapaljivim podlogama – opasnost od požara –
- Plinski kalorifer smije se koristiti na ravnoj, ne nagnutoj, nezapaljivoj i stabilnoj površini.
- Plinski kalorifer namijenjen je samo za privatnu uporabu.
- Prostorije u kojima se uređaj postavlja moraju biti dostatno prozračivane i odzračivane.

HGG 110 Niro: Treba predvidjeti otvore za prozračivanje i odzračivanje od najmanje 280 cm². Prostorija ne smije biti manja od 112 m³.

HGG 171 Niro: Treba predvidjeti otvore za prozračivanje i odzračivanje od najmanje 450 cm². Prostorija ne smije biti manja od 170 m³.

- Plinski kalorifer ne smije se koristiti u podrumima ili ispod razine tla (prostorije ispod razine zemlje).
- Plinski kalorifer ne smije se koristiti za grijanje prostorija u stambenim zgradama. U slučaju korištenje u javnim zgradama treba poštovati državne odredbe!
- Plinski kalorifer ne smije se koristiti u vozilima za rekreaciju kao što je karavan ili kamp-prikolica, ili u čamcima.
- Zabranjeno je stalno zadržavanje osoba u prostoru gdje je postavljen kalorifer.
- Plinski kalorifer ne koristite u prostorijama u kojima se već nalazi plinska boca.
- Plinski kalorifer ne smije se koristiti u blizini drugih grijaćih uređaja (najmanji razmak 1 m), zapaljivih ili eksplozivnih materijala.
- Plinski kalorifer mora se postaviti tako da sigurnosni razmak od zapaljivih materijala, zidova i kućišta na strani usisavanja zraka iznosi 2 m, na strani izlaza zraka 3 m, bočno 1 m i prema gore 1,50 m.
- Ne pomičite plinski kalorifer dok radi.
- Prije pomicanja i nakon rada plinskog kalorifera treba zatvoriti ventil na boci s tekućim plinom.
- Koriste samo one vrste plinova i boce s tekućim plinom koje odredi proizvođač.
- Bocu s tekućim plinom treba zamijeniti u dobro prozračenom prostoru, udaljeno od otvorenog plamena (svijeće, cigarete, drugi uređaji s otvoreni plamenom). Pritom ventil boce s plinom mora biti zatvoren.
- Provjerite je li pravilno montirana brtva regulatora tlaka na uređaju i može li ispunjavati svoju funkciju.
- U slučaju propuštanja plina ne smijete koristiti plinski kalorifer ili, ako on radi, morate zatvoriti dovod plina, provjeriti kalorifer i ukloniti smetnju prije nego što ćete ga ponovno upotrijebiti.
- U slučaju propuštanja treba odmah zatvoriti

zaporni ventil na plinskoj boci i otvoriti vrata i prozore.

- Ako osjetite miris plina ne uključujte ili isključujte svjetlo, ne uključujte ni druge električne prekidače i ne koristite telefon, radiotelefon ili mobitel u opasnom području.
- U slučaju mirisa plina ne koristite otvoreni plamen (npr. upaljač, šibice) i ne pušite.
- Najmanje jednom mjesečno i svaki put kad se mijenja boca s tekućim plinom, treba provjeriti crijeva (plinsko crijevo). Ako se na crijevima pojave znakovi prijeloma ili druga oštećenja, moraju se zamijeniti crijevima iste duljine i kvalitete.
- Plinsko crijevo treba zamijeniti u propisanom vremenskom intervalu (v. poglavlje 8.2).
- Kontrolirajte propisno stanje i brtvu na ventilu boce. Ne smiju se koristiti dodatne brtve.
- Boce s tekućim plinom treba zaštititi od jakog sunčevog zračenja i čuvati samo u okomitom položaju.
- Plinski kalorifer smije se koristiti samo s priključenim regulatorom tlaka s dopuštenim izlaznim tlakom, vidi pločicu na uređaju i tvorničku podešenost.
- Plinsko crijevo ne smije biti prelomljeno ili zasukano.
- **Puštanje u rad i paljenje obavezno** provodite prema uputama.
- Ako uređaj ne možete ostaviti u sigurnom stanju bez nadzora, isključite ga.

Ovaj uređaj ne smiju koristiti osobe (uključujući djecu) s ograničenim fizičkim, osjetilnim ili psihičkim sposobnostima ili osobe bez iskustva i/ili znanja, osim ako su pod nadzorom osobe nadležne za njihovu sigurnost ili od nje primaju upute za uporabu uređaja.

Djeca trebaju biti pod nadzorom kako bi se osiguralo da se ne igraju uređajem.

**HR/
BIH**

3. Opis uređaja (sl. 1)

- 1 Ručka za nošenje
- 2 Rešetka na ulazu zraka
- 3 Navoj plinskog priključka
- 4 Glava plinskog ventila
- 5 Sklopka za uključivanje/isključivanje
- 6 Stalak
- 7 Kućište
- 8 Gumb za piezo paljenje
- 9 Otvor za izlaz zraka

4. Sadržaj isporuke

- Otvorite ambalažu i pažljivo izvadite uređaj.
- Uklonite materijal za pakiranje kao i osigurače pakovine/transporta (ako postoje).
- Provjerite je li sadržaj isporuke potpun.
- Provjerite ima li na uređaju i dijelovima pribora transportnih oštećenja.
- Po mogućnosti sačuvajte pakovinu do isteka jamstvenog roka.

POZOR

Uređaj i materijal za pakiranje nisu igračke! Djeca se ne smiju igrati s plastičnim vrećicama, folijama i sitnim dijelovima! Postoji opasnost od gutanja i gušenja!

- Plinski kalorifer
- Ručka za nošenje s 2 vijka
- Plinsko crijevo
- Regulator tlaka 300 mbara
- Originalne upute za uporabu

5. Namjenska uporaba

Plinski kalorifer namijenjen je isključivo za grijanje, sušenje i otapanje u dobro prozračenim prostorijama ili na otvorenom. HGG 110 Niro: Treba predvidjeti otvore za prozračivanje i odzračivanje od najmanje 280 cm². Prostorija ne smije biti manja od 112 m³. HGG 171 Niro: Treba predvidjeti otvore za prozračivanje i odzračivanje od najmanje 450 cm². Prostorija ne smije biti manja od 170 m³.

72

Plinski kalorifer ne smije se koristiti u podrumima ili ispod razine tla (prostorije ispod razine zemlje). Plinski kalorifer nije namijenjen za kućnu uporabu.

Plinski kalorifer smije se koristiti samo namjenski. Svaka drugačija uporaba nije namjenska. Za štete ili ozljede svih vrsta koje bi iz toga proizašle odgovoran je korisnik/rukovatelj a nikako proizvođač.

Molimo da obratite pozornost na to da naši uređaji nisu pogodni za korištenje u komercijalne, obrtničke ili industrijske svrhe. Ne preuzimamo jamstvo ako se uređaj koristi u komercijalne i industrijske svrhe kao i u sličnim djelatnostima.

6. Prije puštanja u rad

6.1. Montaža ručke za nošenje (sl. 1)

Pritegnite ručku za nošenje (1) pomoću križnog odvijača i priloženih vijaka na kućište (7).

6.2 Priključak na plinsku bocu (sl. 2)

6.2.1 Potrebni dijelovi

Za priključak kalorifera na plinsku bocu potrebni su sljedeći dijelovi:

- standardna plinska boca od 5 odnosno 11 kg, maks. 13 kg
- regulator tlaka ispitan prema normi EN 13785 s radnim tlakom od 300 mbara, maks. 1,5 kg/h, koji odgovara korištenoj plinskoj boci (sadržana u isporuci)
- crijevo ispitan prema normi EN 1763-1 primjerene duljine (maks. 1,0 m), koje omogućava montažu bez prijeloma (sadržano u opsegu isporuke).
- ključ za vijke veličine SW 17.
- odobreni sprej za traženje propusnih mjesta ili materijal koji stvara pjenu

Pozor! Pridržavajte se sigurnosnih napomena (odlomak 2).

Napomena: Plinsku bocu treba postaviti tako da se crijevo ne prelomi i zasuka, da ne bude napeto i ne dodiruje vruće dijelove plinskog kalorifera.

6.2.2 Priključak

- (Sl. 1) Pomoću ključa za vijke SW 17 priključite plinsko crijevo na navoj plinskog priključka (3) na kaloriferu. Pritegnite spoj s navojem.
- (Sl. 2) Spojite pretornu maticu (D) regulatora tlaka (E) okretanjem rukom ulijevo s navojem ventila na boci (G). Ne koristite alat – brtva na ventilu boce može se oštetiti i u tom slučaju više se ne može osigurati nepropusnost.
- (Sl. 2) Crijevo (N) treba spojiti s izlaznim navojem (K) regulatora tlaka korištenjem prikladnog ključa za vijke SW 17 i okretanjem ulijevo. Pritom u svakom slučaju treba drugim ključem odgovarajuće nazivne veličine kontrirati na za to predviđenim mjestima regulatora tlaka, kako bi se spriječilo istovremeno okretanje regulatora odnosno nedopušteno prenošenje sile. Nepropuštanje se osigurava pritezanjem vijčanog spoja prethodno navedenim alatom.
- Sredstvom za traženje propusnim mjesta treba provjeriti brtvljenje svih spojnih mjesta pod radnim tlakom. Brtvljenje je ispravno ako ne dođe do pojave mjehurića. Nije dopuštena kontrola brtvljenja s otvorenim plamenom. Porozna ili oštećena crijeva i armature treba odmah zamijeniti.

6.2.3 Zamjena plinske boce (sl. 2)

Pozor! Pridržavajte se sigurnosnih napomena

- Bocu s tekućim plinom treba zamijeniti u dobro prozračenom prostoru, udaljeno od otvorenog plamena (svijeće, cigarete, drugi uređaji s otvoreni plamenom).
- Zatvoriti ventil boce (F).
- Otpustiti pretornu maticu (D) regulatora tlaka.
- Ukloniti regulator tlaka (E) s boce.
- Na navoj ventila boce (G) staviti zaštitnu kapicu.
- Priključiti novu bocu kao što je opisano u odlomku 6.2.2.

7. Rukovanje

7.1 Puštanje u rad

Napomena:

- Prije puštanja u rad, a naročito nakon duljeg nekorištenja kalorifera, provjerite jesu li dijelovi kroz koje protječe plin začepljeni npr, insektima ili sl. U slučaju začepljenja plinskih cijevi može doći do opasnog povratnog udara plamena.
- Plinski kalorifer uključite tek kad ste se uvjerali da plinsko crijevo i njegovi spojevi ne propuštaju (v. odlomak 7.1.1).
- Provjerite je li postojeći napon mreže u skladu s podacima o naponu na pločici uređaja.
- Ako tijekom rada dođe do propuštanja plina, odmah zatvorite ventil plinske boce i otvorite vrata i prozore.

7.1.1 Kontrola brtvljenja

Da biste ispitali brtvljenje, sprejem za traženje propusnih mjesta poprskajte sve vijčane spojeve uz otvoreni ventil plinske boce i priključen regulator tlaka. U slučaju propuštanja na tim mjestima nastaju mjehurići. U tom slučaju odmah zatvorite ventil na boci i još jednom pritegnite vijčane spojeve. Na kraju još jednom ponovite kontrolu brtvljenja. Ako bi u više pokušaja i dalje postojala mjesta propuštanja, obratite se svojoj servisnoj službi.

7.1.2 Uključivanje plinskog kalorifera (sl. 1)

Pozor! Prilikom uključivanja plinskog kalorifera uvijek stojte bočno ili iza uređaja, nikada ispred otvora za izlaz zraka – opasnost od zadobivanja opekotina.

Napomena:

- Dok plinski kalorifer radi, nemojte ga pomicati.
 - Plinski kalorifer tijekom rada postaje vruć – opasnost od zadobivanja opekotina
- Utaknite mrežni utikač u utičnicu.
 - Otvorite ventil na plinskoj boci.
 - Uključite sklopku za uključivanje/isključivanje (5) i provjerite radi

**HR/
BIH**

li ventilator iza rešetke za ulaz zraka (2) i ispuhava li se zrak iz otvora za izlaz zraka (9).

4. Pustite da ventilator radi najmanje 30 sekundi, zatim pritisnite gumb na ventilu za plin (4) i istovremeno piezo upaljač (8). Ako je potrebno, pritisnite piezo upaljač (8) više puta dok i dalje držite pritisnut gumb na plinskom ventilu (4). Nakon paljenja držite gumb na plinskom ventilu (4) još 10 sekundi.

Ako se plinski kalorifer nakon puštanja gumba na plinskom ventilu i dalje ne bi zapalila, ventilator mora prije ponovnog postupka paljenja raditi još najmanje 1 minutu tako da se plin u potpunosti ispuše.

Napomena:

- Kod otežanog ili nepravilnog paljenja, prije nego što ćete ponovno pokrenuti uređaj obavezno provjerite protok zraka. Ventilator ne smije biti blokiran a strane za ulaz i izlaz zraka ne smiju biti prekrivene.
- Kod duljeg, ekstremnog opterećenja prekomjerno isparavanje može dovesti do zaleđivanja (stvaranje prstena) plinske boce. U ovom slučaju treba priključiti novu odnosno veću plinsku bocu.

7.2 Isključivanje iz pogona

7.2.1 Isključivanje plinskog kalorifera

1. Zatvorite ventil boce.
2. Ostavite ventilator da radi još najmanje 2 minute kako bi se plinski kalorifer ohladio.
3. Isključite ventilator pritiskom sklopke za uključivanje/isključivanje (5).
4. Izvucite mrežni utikač iz utičnice.
5. Uklonite regulator tlaka s plinske boce.

8. Čišćenje, održavanje i naručivanje rezervnih dijelova

8.1 Čišćenje

- Prije početka čišćenja i održavanja, ventil plinske boce treba biti zatvoren, uređaj isključen, iskopčan iz strujne mreže i

ohladen.

- Zatim uklonite regulator tlaka s plinskim crijevom s plinske boce.
- Kućište očistite malo navlaženom krpom.
- Nakupljenu prašinu možete ukloniti usisavačem ili pažljivim puhanjem komprimiranog zraka.

8.2 Održavanje

- Popravke i radove odražavanja smiju provoditi samo ovlašteni plinski instalateri.
- Kod popravaka se smiju koristiti samo originalni rezervni dijelovi.
- Mrežni kabel mora se redovito provjeravati na nedostatke ili oštećenja.
- Oštećeni mrežni kabel smije zamijeniti samo električar ili tvrtka ISC GmbH uz pridržavanje postojećih propisa.
- Najmanje jednom mjesečno i svaki put kad se mijenja boca s tekućim plinom, treba provjeriti crijeva (plinsko crijevo). Ako se na crijevima pojave znakovi prijeloma ili druga oštećenja, moraju se zamijeniti crijevima iste duljine i kvalitete.
- Nakon duljeg vremena mirovanja, radova održavanja ili popravaka treba provesti kontrolu funkcioniranja cijelog uređaja s kontrolom brtvljenja svih spojeva kroz koje struji plin (npr. pomoću spreja za traženje propusnih mjesta ili sapunicom) kao i kontrolu električne sigurnosti prema normi VDE 0701.

8.3. Naručivanje rezervnih dijelova

Kod naručivanja rezervnih dijelova trebali biste navesti sljedeće podatke:

- Tip uređaja
 - Broj artikla uređaja
 - Identifikacijski broj uređaja
 - Broj potrebnog rezervnog dijela
- Aktualne cijene nalaze se na web stranici www.isc-gmbh.info

9. Skladištenje

9.1 Uređaj

Čuvajte uređaj i njegov pribor na tamnom i suhom mjestu bez mogućnosti smrzavanja kao i djeci nepristupačnom mjestu. Optimalna temperatura skladištenja mora biti između 5 i 30 °C. Čuvajte uređaj u originalnoj ambalaži.

9.2 Boca s tekućim plinom

- Bocu s tekućim plinom nikad ne čuvajte u kući, ispod razine zemlje (prostorije ispod razine zemlje) ili na neprozračanim mjestima!
- Ventili boca s tekućim plinom moraju imati zaštitne kapice i matice.
- Plinske boce – čak i prazne – moraju se čuvati u okomitom položaju.

10. Shema priključivanja (sl. 3)

Q1 Sklopka za uključivanje/isključivanje
 F1 Sigurnosni termostat
 M1 Motor ventilatora
 Y1 Termoel. osigurač paljenja (plinski ventil)
 Y2 Sigurnosni magnetski ventil
 B1 Termoelement
 B2 Piezo paljenje
 B3 Elektroda za paljenje
 B4 Plamenik

11. Tehnički podaci

HGG 110 Niro

Nazivno toplinsko opterećenje:	maks. (Hi) 11,2 kW
Protok zraka:	500 m ³ /h
Priključna vrijednost:	G 30: 815 g/h
Kategorija uređaja:	I3B/P
Odredišna zemlja:	HR/BG
Vrsta plina:	standardni propan standardni butan
Radni tlak P:	300 mbara (propan/butan)
Mrežni priključak:	230 V ~ 50 Hz, 0,17 A, 38 W
Klasa temperature:	57 °C

HGG 171 Niro

Nazivno toplinsko opterećenje:	maks. (Hi) 17 kW
Protok zraka:	500 m ³ /h
Priključna vrijednost:	G 30: 1340 g/h
Kategorija uređaja:	I3B/P
Odredišna zemlja:	HR/BG
Vrsta plina:	standardni propan standardni butan
Radni tlak P:	300 mbara (propan/butan)
Mrežni priključak:	230 V ~ 50 Hz, 0,17 A, 38 W
Klasa temperature:	75 °C

12. Zbrinjavanje u otpad i recikliranje

Uređaj je zapakiran kako bi se tijekom transporta spriječila oštećenja. Ova pakovina je sirovina i može se ponovno upotrijebiti ili predati na reciklažu. Uređaj i njegov pribor sastavljeni su od raznih materijala, kao npr. metal i plastika. Neispravne sklopove odložite u specijalni otpad. Raspitajte se u specijaliziranoj trgovini ili općinskoj upravi!

**HR/
BIH**



Samo za zemlje članice EU

Elektroalate nemojte bacati u kućno smeće!

Prema europskoj odredbi 2002/96/EG o starim električnim i elektroničkim uređajima i njenim prijenosom u nacionalno pravo, istrošeni električni alati trebaju se posebno sakupljati i na ekološki način zbrinuti na mjestu za reciklažu.

Alternativa s recikliranjem nasuprot zahtjevu za povrat:

Vlasnik električnog uređaja alternativno je obvezan da umjesto povrata uređaja u slučaju odricanja vlasništva sudjeluje u stručnom zbrinjavanju uređaja. Stari uređaj može se u tu svrhu predati mjestu za preuzimanje takvih uređaja koje provodi uklanjanje u smislu državnih zakona o otpadu i recikliranju. To se ne odnosi na dijelove pribora i pomoćna sredstva bez električnih sastavnih dijelova koji su dodani starim uređajima.

13. Upute za uklanjanje grešaka

Ako se uređaj pravilno koristi, ne bi se smjele pojavljivati smetnje u radu. U slučaju smetnji, prije nego pozovete servisnu službu, provjerite sljedeće mogućnosti.

Smetnja	Mogući uzrok	Mjera
Ventilator ne radi.	– Nema struje	– Provjeriti mrežni utikač, – Provjeriti mrežno napajanje, po potrebi zamijeniti mrežni kabel*
Uređaj ne pali.	– Neispravan kabel za paljenje – Nepričvršćen kabel za paljenje – Preveliki razmak između elektrode i plamenika	– Provjeriti kabel za paljenje, event. ga zamijeniti* – Provjeriti kabel za paljenje, event. ga pričvrstiti* – Podesiti razmak na 5 mm* (v. sl. 4).
Nema protoka plina.	– Plinska boca je prazna – Zatvoren ventil na plinskoj boci – Sigurnosni ventil u uređaju još nije oslobodio plin	– Zamijeniti plinsku bocu – Otvoriti ventil – Novi pokušaj uključivanja (v. poglavlje 7.1.2)
Preveliki ulazak plina odnosno prejaki plamen	– Neispravan regulator tlaka	– Zamijeniti regulator tlaka
Plamen plamenika gasi se tijekom rada	– Termoelement nije dovoljno topao – Blokiran uzlaz i/ili izlaz zraka – Nema mrežnog napona – Vjetar ili propuh gasi plamen	– Novi pokušaj uključivanja (v. poglavlje 7.1.2) – Očistiti rešetku za ulaz zraka, ukloniti prepreke usisavanju zraka, provjeriti funkcioniranje ventilatora – Provjeriti mrežno napajanje, po potrebi zamijeniti mrežni kabel* – Uređaj postaviti zaštićeno od vjetra i propuha, ostaviti ga da se ohladi nekoliko minuta i zatim ponovno pokušati uključiti (v. poglavlje 7.1.2)

Pozor!

* Ove radove mora provesti samo kvalificirano i ovlašteno osoblje!

SK

1. Úvod

⚠ **Pozor!**

Pri používaní prístrojov sa musia dodržiavať príslušné bezpečnostné opatrenia, aby bolo možné zabrániť prípadným zraneniam a vecným škodám. Preto si starostlivo prečítajte tento návod na obsluhu / bezpečnostné pokyny. Následne ich starostlivo uschovajte, aby ste mali vždy k dispozícii potrebné informácie. V prípade, že budete prístroj požičiavať tretím osobám, prosím odovzdajte im spolu s prístrojom tento návod na obsluhu / bezpečnostné pokyny. Nepreberáme žiadne ručenie za nehody ani škody, ktoré vzniknú nedodržaním tohto návodu na obsluhu a bezpečnostných pokynov.

2. Bezpečnostné pokyny

⚠ **VÝSTRAHA**

Prečítajte si všetky bezpečnostné predpisy a pokyny. Nedostatky pri dodržovaní bezpečnostných predpisov a pokynov môžu mať za následok úraz elektrickým prúdom, vznik požiaru a/alebo ťažké poranenia. **Všetky bezpečnostné predpisy a pokyny si odložte pre budúce použitie.**

2.1 Všeobecné bezpečnostné predpisy

- Pred použitím plynového ohrievača si prečítajte návod na obsluhu.
- Plynový ohrievač sa musí inštalovať v súlade s národnými predpismi a podľa tohto návodu.
- Ukladajte kábel tak, aby nebolo možné o kábel zakopnúť.
- Sieťové vedenie neviesť cez horúce časti prístroja pri prevádzke.
- Nevyťahovať sieťovú zástrčku von zo zásuvky ťahaním za sieťové vedenie! Plynový ohrievač nikdy nenosiť zavesený za sieťové vedenie ani ním nepohybovať ťahaním za kábel.
- Sieťové vedenie nikdy neovíjajte okolo plynového ohrievača.
- Sieťové vedenie nikdy nezvierajte, neťahajte

cez ostré hrany, neviesť cez horúce predmety alebo otvorený oheň.

- Plynový ohrievač nikdy neponárajte do vody – **ohrozenie života!**
- Plynový ohrievač nikdy neobsluhujte s mokrymi rukami.
- Plynový ohrievač nikdy neotvárajte a nedotýkajte sa častí pod napätím – **ohrozenie života!**
- Plynový ohrievač umiestniť tak, aby bola sieťová zástrčka vždy prístupná.
- Plynový ohrievač neumiestňujte bezprostredne pod zásuvku.
- Ak je plynový ohrievač dlhší čas mimo prevádzky, vyťahnite sieťovú zástrčku a odstráňte plynovú fľašu! Dodržiavajte príslušné kapitoly v tomto návode.
- Do otvorov prístroja nevkladať žiadne cudzie predmety – nebezpečenstvo elektrického úrazu a poškodenia prístroja.
- Ak dôjde k poškodeniu sieťového vedenia tohto prístroja, musí byť vymenené výrobcom alebo jeho zákazníckym servisom alebo inou, podobne kvalifikovanou osobou, aby sa zabránilo vzniku nebezpečenstva.
- Pre zabránenie škôd pôsobením tepla nesmú byť oproti plynovému ohrievaču umiestnené žiadne predmety citlivé na teplo.
- Počas prevádzky sa nedotýkajte telesa a ochranných krytov - nebezpečenstvo popálenia.

2.2 Bezpečnostné predpisy špecifické pre prístroj

- Dodržiavajte technické predpisy pre kvapalnú plyn.
- Plynový ohrievač sa smie prevádzkovať iba ak je kompletne zmontovaný.
- Nasávací mriežka a otvor výstupu vzduchu sa nesmú zmenšiť ani zakryť – nebezpečenstvo požiaru –
- Plynovú fľašu nikdy nekladte počas prevádzky pred plynový ohrievač – nebezpečenstvo požiaru –
- Plynový ohrievač sa nesmie prevádzkovať na ľahko horľavom podklade – nebezpečenstvo požiaru –
- Plynový ohrievač prevádzkujte na rovnej, nenaklonenej, nehorľavej a stabilnej ploche.

- Plynový ohrievač je určený len na súkromné použitie.
- Miestnosti inštalácie musia byť dostatočne prevetrávané.
HGG 110 Niro: Musia byť dodržané prevzdušňovacie otvory prívodu a odvádzania vzduchu najmenej 280 cm². Minimálna veľkosť miestnosti nesmie byť menšia ako 112 m³.
HGG 171 Niro: Musia byť dodržané prevzdušňovacie otvory prívodu a odvádzania vzduchu najmenej 450 cm². Minimálna veľkosť miestnosti nesmie byť menšia ako 170 m³.
- Plynový ohrievač sa nesmie prevádzkovať v podzemných podlažiach alebo pod úrovňou zeme (v priestoroch pod povrchom zeme).
- Plynový ohrievač sa nesmie používať na vykurovanie obytných miestností v obytných budovách. Pri používaní vo verejných budovách je potrebné dodržiavať medzinárodné predpisy!
- Plynový ohrievač nepoužívajte vo vozidlách na voľný čas ako sú obytné automobily, karavany, alebo lode.
- Trvalý pobyt osôb v miestnosti používania je zakázaný.
- Plynový ohrievač nepoužívajte v miestnostiach, v ktorých sa nachádza plynová fľaša.
- Plynový ohrievač sa nesmie používať v blízkosti iných vykurovacích zariadení (minimálny odstup 1m), zápalného alebo výbušného materiálu.
- Plynový ohrievač musí byť umiestnený tak, aby bol bezpečnostný odstup horľavých materiálov a stien od krytu na strane nasávania vzduchu 2 m, na strane výfuku vzduchu 3 m, bočne 1 m a smerom hore 1,50 m.
- Plynový ohrievač nepohybujte, pokiaľ je v prevádzke.
- Pred posunutím a po prevádzke plynového ohrievača je potrebné uzatvoriť ventil fľaše s kvapalným plynom.
- Používajte iba druhy plynu a fľaše na kvapalný plyn uvedené výrobcom.
- Fľašu na kvapalný plyn je potrebné vymieňať v dobre vetranej miestnosti, v dostatočnej vzdialenosti od otvoreného ohňa (sviečky, cigarety, iné prístroje s otvoreným ohňom). Ventil plynovej fľaše pritom musí byť zatvorený.
- Skontrolujte správnu montáž tesnenia tlakového regulačného ventilu, a či môže plniť svoju funkciu.
- V prípade netesnosti sa plynový ohrievač nesmie používať, alebo ak je v prevádzke je potrebné prívod plynu zastaviť a plynový ohrievač musí byť pred opätovným používaním skontrolovaný a opravený.
- V prípade netesnosti je potrebné ihneď zatvoriť uzatvárací ventil plynovej fľaše a otvoriť dvere a okná.
- Pri zápachu plynu nezapínajte ani nevypínajte svetlo, nezapínajte žiadne iné elektrické spínače a nepoužívajte telefón, vysielačku ani mobilný telefón v priestore nebezpečenstva.
- Pri zápachu plynu nepoužívajte otvorený oheň (napr. zapalovač, zápalky) a nefajčite.
- Najmenej raz za mesiac a vždy pri výmene fľaše na kvapalný plyn je potrebné skontrolovať hadicové vedenia (plynová hadica). Ak hadicové vedenia vykazujú náznaky lámania sa, alebo iné poškodenia, musia byť vymenené za nové hadicové vedenia tej istej dĺžky a rovnakej kvality.
- Plynovú hadicu je potrebné vymeniť v rámci predpísanej doby použitia (pozri odsek 8.2).
- Kontrolujte správny stav a prítomnosť tesnenia na ventile fľaše. Nesmú byť použité žiadne dodatočné tesnenia.
- Fľaše na kvapalný plyn je potrebné chrániť pred silným slnečným žiarením a skladovať iba na stojato.
- Plynový ohrievač sa smie prevádzkovať iba so zapojeným regulátorom tlaku s prípustným výstupným tlakom, pozri prístrojový štítok a nastavenie z výroby.
- Plynová hadica sa nesmie zlomiť, ani pretočiť.
- **Uvedenie do prevádzky a zapálenie bezpodmienečne** vykonávať až po inštrukciách.
- Ak Váš prístroj nie je možné nechať bez dozoru v bezpečnom stave, vypnite ho.

SK

Tento prístroj nie je určený na to, aby ho mohli používať osoby (vrátane detí) s obmedzenými fyzickými, zmyslovými alebo psychickými schopnosťami alebo osoby s nedostatočnými skúsenosťami a/alebo nedostatočnými vedomosťami, také používanie je možné len v tom prípade, ak budú pod dozorom osoby zodpovednej za ich bezpečnosť alebo ak boli zaškolené na používanie prístroja.

Deti by mali byť pod dozorom, aby bolo možné zabezpečiť, že sa nebudú s prístrojom hrať.

3. Popis prístroja (obr. 1)

- 1 Nosná rukoväť
- 2 Nasávací mriežka vzduchu
- 3 Plynový pripájací závit
- 4 Tlačidlo plynového ventilu
- 5 Vypínač zap/vyp
- 6 Podstavec
- 7 Kryt
- 8 Piezoelektrické zapal'ovacie tlačidlo
- 9 Otvor výstupu vzduchu

4. Objem dodávky

- Otvorte balenie a opatrne vyberte prístroj von z balenia.
- Odstráňte obalový materiál ako aj obalové/transportné poistky (pokiaľ sú obsiahnuté).
- Skontrolujte, či je obsah dodávky kompletný.
- Skontrolujte, či nedošlo k poškodeniu prístroja a príslušenstva transportom.
- Pokiaľ možno, uschovajte si obal až do konca záručnej doby.

POZOR

**Prístroj a obalový materiál nie sú hračky!
Deti sa nesmú hrať s plastovými vreckami,
fóliami ani malými dielmi!**

**Hrozí nebezpečenstvo prehltnutia
a udusení!**

- Plynový ohrievač
- Nosná rukoväť s 2 skrútkami
- Plynová hadica
- Regulátor tlaku 300 mbar
- Originálny návod na obsluhu

5. Predpísaný účel použitia

Plynový ohrievač je určený výlučne na vykurovanie, vysušovanie stavieb a roztápanie ľadu v dobre vetraných miestnostiach, alebo vonku.

HGG 110 Niro: Pre dobre vetrané miestnosti musia byť dodržané prevzdušňovacie otvory prívodu a odvádzania vzduchu najmenej 280 cm². Minimálna veľkosť miestnosti nesmie byť menšia ako 112 m³.

HGG 171 Niro: Pre dobre vetrané miestnosti musia byť dodržané prevzdušňovacie otvory prívodu a odvádzania vzduchu najmenej 450 cm². Minimálna veľkosť miestnosti nesmie byť menšia ako 170 m³.

Plynový ohrievač sa nesmie prevádzkovať v podzemných podlažiach alebo pod úrovňou zeme (v priestoroch pod povrchom zeme). Plynový ohrievač nie je určený na domáce použitie.

Plynový ohrievač smie byť použitý len na ten účel, na ktorý bol určený. Akékoľvek iné odlišné použitie sa považuje za nespĺňajúce účel použitia. Za škody alebo zranenia akéhokoľvek druhu spôsobené nesprávnym používaním ručí používateľ / obsluhujúca osoba, nie však výrobca.

Prosím berte ohľad na skutočnosť, že naše prístroje neboli svojim určením konštruované na profesionálne, remeselnícke ani priemyselné použitie. Nepreberáme žiadne záručné ručenie, ak sa prístroj bude používať v profesionálnych, remeselníckych alebo priemyselných prevádzkach ako aj na činnosti rovnocenné s takýmto použitím.

6. Pred uvedením do prevádzky

6.1. Montáž nosné rukoväte (obr. 1)

Nosnú rukoväť (1) pevne priskrutkujte pomocou krížového skrutkovača a priložených skrutiek na kryt (7).

6.2 Pripojenie na plynovú fľašu (obr. 2)

6.2.1 Potrebné diely

Na pripojenie plynového ohrievača na plynovú fľašu sú potrebné nasledovné diely:

- Bežná plynová fľaša 5 resp. 11 kg, max. 13 kg.
- Podľa EN 13785 preskúšaný regulátor tlaku 300 mbar prevádzkový tlak, max. 1,5 kg/h podľa používanej plynovej fľaše (v dodávke).
- Podľa EN 1763-1 preskúšané hadicové vedenie dostatočnej dĺžky (max. 1,0 m), ktoré dovoľuje montáž bez zalomenia (v dodávke).
- Skrutkový kľúč rozmer veľk. 17.
- Uznávaný sprej na hľadanie netesností alebo prostriedok vytvárajúci penu.

Pozor! Dodržiavajte bezpečnostné pokyny (odsek 2)

Upozornenie: Plynovú fľašu je potrebné umiestniť tak, aby hadicové vedenie nebolo zalomené ani pretočené, nebolo napnuté, a nedotýkalo sa žiadnych horúcich miest plynového ohrievača.

6.2.2 Pripojenie

1. (Obr. 1) Plynovú hadicu pripojte s použitím kľúča veľk. 17 na plynový pripájací závit (3) plynového ohrievača. Skrutkový spoj pevne pritiahnite.
2. (Obr. 2) Prevláčnu maticu (D) regulátora tlaku (E) spojte ľavotočivo silou ruky so závitom ventilu fľaše (G). Nepoužívajte žiadne nástroje - tesnenie ventilu fľaše by sa mohlo poškodiť a nebola by už zaručená tesnosť.

3. (Obr. 2) Hadicové vedenie (N) spojte ľavotočivo so závitom výstupu regulátora tlaku (K) s použitím vhodného kľúča veľk. 17. Pritom je v každom prípade potrebné druhým kľúčom odpovedajúcej veľkosti pridržovať regulátor tlaku za plochy určené pre kľúč, pre zabránenie otáčania regulátora resp. prenosu neprípustnej sily. Zabezpečenie tesnosti prebieha pritiahnutím skrutkového spoja vyššie uvedenými nástrojmi.
4. Pomocou prostriedku na vyhľadanie netesností je potrebné skontrolovať tesnosť všetkých spájaných miest pri prevádzkovom tlaku. Tesnosť je zabezpečená vtedy, ak sa nevytvárajú bublinky. Skúška tesnosti s otvoreným ohňom nie je prípustná. Porózne alebo poškodené hadicové vedenia a armatúry je potrebné ihneď vymeniť.

6.2.3 Výmena plynovej fľaše (obr. 2)

Pozor! Dodržujte bezpečnostné predpisy

1. Fľašu na kvapalnú plyn je potrebné vymieňať v dobre vetranej miestnosti alebo vonku, v dostatočnej vzdialenosti od otvoreného ohňa (sviečky, cigarety, iné prístroje s otvoreným ohňom).
2. Uzatvorte ventil fľaše (F)
3. Prevláčnu maticu (D) uvoľnite od regulátora tlaku
4. Regulátor tlaku (E) odstráňte od fľaše
5. Na závit ventilu fľaše (G) nasadte ochranný kryt
6. Pripojte novú fľašu ako je popísané v odseku 6.2.2

7. Obsluha

7.1 Uvedenie do prevádzky

Pokyny:

- Pred uvedením do prevádzky, najmä po dlhšom nepoužívaní plynového ohrievača, skontrolujte upchatie dielov vedúcich plyn hmyzom a.i. Pri upchatých plynových rúrach môže dôjsť k nebezpečnému spätnému plameňu.
- Plynový ohrievač uveďte do prevádzky až

SK

potom, čo ste sa presvedčili o tesnosti plynovej hadice a jej spojov (pozri odsek 7.1.1).

- Skontrolujte, či prítomné sieťové elektrické napätie zodpovedá sieťovému napätiu uvedenému na typovom štítku.
- Ak sa počas prevádzky objaví netesnosť plynových vedení, je potrebné ihneď uzatvoriť ventil plynovej fľaše a otvoriť všetky okná a dvere.

7.1.1 Skúška tesnosti

Pri skúške tesnosti postriekajte pri otvorenom ventilu plynovej fľaše a pripojenom regulátore tlaku sprejom na zistenie netesností všetky Vami vykonané skrutkové spoje. Pri netesnosti na tomto mieste vznikajú bublinky. V tomto prípade ihneď zatvorte ventil fľaše a ešte raz dotiahnite skrutkové spoje. Potom ešte raz opakujte skúšku tesnosti. Ak sa netesnosti objavujú aj po viacerých pokusoch, obráťte sa na Váš zákaznický servis.

7.1.2 Zapnutie plynového ohrievača (obr. 1)

Pozor! Pri zapnutí plynového ohrievača stojte vždy na strane, alebo za prístrojom a nikdy pred výstupným otvorom vzduchu - nebezpečenstvo popálenia.

Pokyny:

- Plynový ohrievač v prevádzke nikdy nepohybujte.
- Plynový ohrievač sa v prevádzke zohreje - nebezpečenstvo popálenia

1. Zapojte elektrickú sieťovú zástrčku do zásuvky.
2. Otvorte plynový ventil na plynovej fľaši.
3. Zapnite vypínač (5) a skontrolujte, či beží ventilátor za nasávacou mriežkou (2) a vzduch je vyfukovaný výstupným otvorom vzduchu.
4. Ventilátor nechajte bežať najmenej 30 sekúnd a stlačte tlačidlo plynového ventilu (4) a súčasne piezoelektrický zapalovač (8). Ak je to potrebné, stlačte piezoelektrický zapalovač (8) viackrát, pričom tlačidlo plynového ventilu (4) naďalej držte stlačené. Po zapálení držte tlačidlo plynového ventilu ešte 10 sekúnd.

Ak plynový ohrievač po uvoľnení tlačidla plynového ventilu ďalej nehorí, musí pred ďalším zapálením ventilátor bežať ešte najmenej 1 minútu, kým nie je plyn úplne vyfúknutý.

Pokyny:

- Pri sťaženom alebo nepravidelnom zapalovaní skontrolujte bezpodmienečne priechod vzduchu, predtým ako prístroj znova spustíte. Ventilátor nesmie byť blokovaný, a nasávací a/ani vyfukovací strana nesmú byť zakryté.
- Pri dlhšom, extrémnom zaťažení môže nadmerné odparovanie viesť k omrznutiu (tvorbe námrazy) plynovej fľaše. V tomto prípade je potrebné k prístroju pripojiť novú resp. väčšiu plynovú fľašu.

7.2 Vyradenie z prevádzky**7.2.1 Vypnutie plynového ohrievača**

1. Zatvorte ventil fľaše.
2. Ventilátor nechajte bežať kvôli ochladeniu plynového ohrievača ešte najmenej 2 minúty.
3. Ventilátor vypnite stlačením vypínača.
4. Vytiahnite elektrickú zástrčku von zo zásuvky.
5. Z plynovej fľaše odoberte regulátor tlaku.

8. Čistenie, údržba a objednanie náhradných dielov**8.1 Čistenie**

- Pred zahájením čistiacich a údržbových prác sa musí zatvoriť ventil plynovej fľaše, vypnúť prístroj, odpojiť zo siete a prístroj musí vychladnúť.
- Potom z plynovej fľaše odoberte regulátor tlaku s plynovou hadicou.
- Na čistenie krytu prístroja používať len vlhkú utierku.
- Znečistenia prachom je možné odstrániť vysávačom, alebo opatrne stlačeným vzduchom.

8.2 Údržba

- Opravy a údržbové práce na prístroji smú byť vykonávané len odborným plynovým inštalatérom.
- Pri opravách smú byť použité iba originálne náhradné diely.
- Sieťové vedenie sa musí pravidelne kontrolovať, či nie defektné alebo poškodené.
- Poškodené sieťové vedenie smie byť vymenené len odborným elektrikárom alebo spoločnosťou ISC GmbH pri dodržaní príslušných predpisov.
- Najmenej raz za mesiac a vždy pri výmene fľaše na kvapalným plyn je potrebné skontrolovať hadicové vedenia (plynová hadica). Ak hadicové vedenia vykazujú náznaky lámania sa, alebo iné poškodenia, musia byť vymenené za nové hadicové vedenia tej istej dĺžky a rovnakej kvality.
- Po dlhšom čase nečinnosti, údržbových a opravárenských prácach je potrebné vykonať kontrolu funkcie celého prístroja skúškou tesnosti všetkých spojov plynového vedenia (napr. pomocou spreja na vyhľadanie netesností alebo mydlového roztoku) ako aj elektrickú bezpečnostnú kontrolu podľa predpisov VDE 0701.

8.3. Objednanie náhradných dielov

Pri objednávaní náhradných dielov je potrebné uviesť nasledovné údaje:

- Typ prístroja
- Výrobné číslo prístroja
- Identifikačné číslo prístroja
- Číslo potrebného náhradného dielu

Aktuálne ceny a informácie nájdete na stránke www.isc-gmbh.info

9. Skladovanie

9.1 Prístroj

Skladujte prístroj a jeho príslušenstvo na tmavom, suchom a nezamrzajúcom mieste mimo dosahu detí. Optimálna teplota pre skladovanie je medzi 5 až 30 °C. Skladujte tento prístroj v originálnom balení.

9.2 Fľaša s kvapalným plynom

- Fľaše s kvapalným plynom nikdy neskladujte v dome, pod úrovňou zeme (priestory pod povrchom zeme), alebo na nevetraných miestach!
- Ventily fľaše s kvapalným plynom musia byť vybavené ochrannými krytmi ventilu a uzatváracími maticami.
- Plynové fľaše - aj prázdne - musia byť skladované na stojato.

10. Plán pripojenia (obr. 3)

Q1 Vypínač zap/vyp
 F1 Poistný termostat
 M1 Motor ventilátora
 Y1 Termoelektrická zapal'ovacia poistka (plynový ventil)
 Y2 Bezpečnostný magnetický ventil
 B1 Termočlánok
 B2 Piezoelektrické zapal'ovanie
 B3 Zapal'ovacia elektróda
 B4 Horák

11. Technické údaje

HGG 110 Niro

Nominálne tepelné zaťaženie:

max. (Hi) 11,2 kW

Prietok vzduchu: 500 m³/h

Menovitý príkon: G 30: 815 g/h

Kategória zariadenia: I3B/P

Krajina určenia: HU/CZ/SK

Druh plynu: Bežne dostupný propán

Bežne dostupný bután

Prevádzkový tlak P: 300 mbar (propán/bután)

Sieťové pripojenie: 230 V ~ 50 Hz, 0,17 A, 38 W

Teplotná trieda: 57 °C

SK**HGG 171 Niro**

Nominálne tepelné zaťaženie: max. (Hi)	17 kW
Prietok vzduchu:	500 m ³ /h
Menovitý príkon:	G 30: 1 340 g/h
Kategória zariadenia:	I3B/P
Krajina určenia:	HU/CZ/SK
Druh plynu:	Bežne dostupný propán Bežne dostupný bután
Prevádzkový tlak P:	300 mbar (propán/bután)
Sieťové pripojenie:	230 V ~ 50 Hz, 0,17 A, 38 W
Teplotná trieda:	75 °C

Recyklačná alternatíva k výzve na spätné zaslanie výrobku:
Majiteľ elektrického prístroja je alternatívne namiesto spätnej zásielky povinný spolupracovať pri riadnej recyklácii prístroja v prípade vzdania sa jeho vlastníctva. Starý prístroj môže byť za týmto účelom taktiež prenechaný zbernému miestu, ktoré vykoná odstránenie v zmysle národného zákona o recyklácii a odpadovom hospodárstve. Netýka sa to pridaných dielov príslušenstva k starým prístrojom a pomocných prostriedkov bez elektronických komponentov.

12. Likvidácia a recyklácia

Prístroj sa nachádza v obale za účelom zabránenia poškodeniu pri transporte. Tento obal je vyrobený zo suroviny a tým pádom je ho možné znovu použiť alebo sa môže dať do zberu na recykláciu surovín. Prístroj a jeho príslušenstvo sa skladajú z rôznych materiálov, ako sú napr. kovy a plasty. Poškodené súčiastky odovzdajte na vhodnú likvidáciu špeciálneho odpadu. Informujte sa v odbornej predajni alebo na miestnych úradoch!



Len pre krajiny EÚ

Neodstraňujte elektrické prístroje ako domový odpad!

Podľa európskej smernice 2002/96/ES o odpade z elektrických a elektronických zariadení (OEEZ) a v súlade s národnými právnymi predpismi sa musia použité elektronické prístroje odovzdať do triedeného zberu a musí sa zabezpečiť ich špecifické spracovanie v súlade s ochranou životného prostredia (recyklácia).

13. Pokyny k odstraňování porúch

Keď sa s prístrojom správne zaobchádza, nemali by sa vyskytnúť žiadne poruchy. V prípade výskytu poruchy preverte nasledujúce možnosti ešte predtým, ako budete kontaktovať zákaznícky servis.

Porucha	Možná příčina	Opatrenie
Ventilátor nebeží	- Žiaden prúd	- Skontrolujte sieťovú zástrčku - Skontrolujte napájanie siete príp. vymeňte sieťový kábel*
Prístroj nezapaľuje	- Poškodený zapaľovací kábel - Uvoľnený zapaľovací kábel - Vzdialenosť medzi elektródou a horákom je príliš veľká	- Skontrolujte zapaľovací kábel, príp. vymeniť* - Skontrolujte zapaľovací kábel, príp. pevne ho pripojte* - Vzdialenosť nastavte na 5 mm* (pozri obr. 4).
Nie je prietok plynu	- Prázdna plynová fľaša - Ventil plynovej fľaše je zatvorený - Bezpečnostný ventil v prístroji ešte neuvoľnil plyn	- Vymeňte plynovú fľašu - Otvorte ventil. - Nový pokus o zapnutie (pozri kapitolu 7.1.2)
Príliš vysoký prítok plynu resp. príliš veľký plameň	- Tlakový regulátor poškodený	- Vymeňte tlakový regulátor
Plameň počas prevádzky zhasne	- Termočlánok nie je dostatočne zohriaty - Prívod a/alebo odvádzanie vzduchu zablokované - Žiadne sieťové napätie - Vietor alebo prievan súkne plameň	- Nový pokus o zapnutie (pozri kapitola 7.1.2) - Očistite nasávaciu mriežku, prekážky pre nasávanie vzduchu odstráňte, skontrolujte funkciu ventilátora - Skontrolujte napájanie siete príp. vymeňte sieťový kábel* - Prístroj umiestnite mimo pôsobenia vetra a prievanu, nechajte prístroj niekoľko minút vychladnúť, potom nový pokus o zapnutie (pozri kapitola 7.1.2)

Pozor!

* Tieto práce musí vykonávať kvalifikovaný schválený odborný personál!

Einhell Germany AG · Wiesenweg 22 · D-94405 Landau/Isar



Konformitätserklärung

- erklärt folgende Konformität gemäß EU-Richtlinie und Normen für Artikel
 explains the following conformity according to EU directives and norms for the following product
 déclare la conformité suivante selon la directive CE et les normes concernant l'article
 dichiara la seguente conformità secondo la direttiva UE e le norme per l'articolo
 verklaart de volgende overeenstemming conform EU richtlijn en normen voor het product
 declara la siguiente conformidad a tenor de la directiva y normas de la UE para el artículo
 declara a seguinte conformidade, de acordo com a directiva CE e normas para o artigo
 attesterer følgende overensstemmelse i medfør af EU-direktiv samt standarder for artikel
 förklarar följande överensstämmelse enl. EU-direktiv och standarder för artikeln
 vakuuttaa, että tuote täyttää EU-direktiivin ja standardien vaatimukset
 tõendab toote vastavust EL direktiivile ja standarditele
 vydává následující prohlášení o shodě podle směrnice EU a norem pro výrobek
 potrjuje sledečo skladnost s smernico EU in standardi za izdelak
 vydáva nasledujúce prehlásenie o zhode podľa smernice EÚ a noriem pre výrobok
 a cikkekhez az EU-irányvonal és Normák szerint a következő konformitást jelenti ki
 deklaruje zgodność wymienionego poniżej artykułu z następującymi normami na podstawie dyrektywy WE.
 декларира съответното съответствие съгласно Директива на ЕС и норми за артикул
 paskaidro šādu atbilstību ES direktīvai un standartiem
 apibūdina šį atitikimą EU reikalavimams ir prekės normoms
 declară următoarea conformitate conform directivei UE și normelor pentru articolul
 δηλώνει την ακόλουθη συμμόρφωση σύμφωνα με την Οδηγία ΕΚ και τα πρότυπα για το προϊόν
 potvrđuje sljedeću usklađenost prema smjernicama EU i normama za artikl
 potvrđuje sljedeću usklađenost prema smjernicama EU i normama za artikl
 potvrđuje sledeću usklađenost prema smernicama EÚ i normama za artikla
 следующим удостоверяется, что следующие продукты соответствуют директивам и нормам ЕС
 проголошує про зазначену нижче відповідність виробу директивам та стандартам ЄС на виріб
 ja izjavuwa slednata soobraznost soglasno EÚ-direktivata i normite za artikli
 Ürünü ile ilgili AB direktifleri ve normları gereğince aşağıda açıklanan uygunluğu belirtir
 erklærer følgende samsvar i henhold til EU-direktivet og standarder for artikkel
 Lýsir uppfyllingu EU-reglna og annarra staðla vöru

Heißluftgenerator HGG 110 Niro (Einhell)

- | | |
|---|--|
| <input type="checkbox"/> 87/404/EC_2009/105/EC | <input type="checkbox"/> 2006/42/EC |
| <input type="checkbox"/> 2005/32/EC_2009/125/EC | <input type="checkbox"/> Annex IV
Notified Body:
Notified Body No.:
Reg. No.: |
| <input checked="" type="checkbox"/> 2006/95/EC | |
| <input type="checkbox"/> 2006/28/EC | |
| <input checked="" type="checkbox"/> 2004/108/EC | <input type="checkbox"/> 2000/14/EC_2005/88/EC |
| <input type="checkbox"/> 2004/22/EC | <input type="checkbox"/> Annex V |
| <input type="checkbox"/> 1999/5/EC | <input type="checkbox"/> Annex VI
Noise: measured L _{WA} = dB (A); guaranteed L _{WA} = dB (A)
P = KW; L/Ø = cm
Notified Body: |
| <input type="checkbox"/> 97/23/EC | |
| <input checked="" type="checkbox"/> 90/396/EC_2009/142/EC | |
| <input type="checkbox"/> 89/686/EC_96/58/EC | <input type="checkbox"/> 2004/26/EC
Emission No.: |
| <input checked="" type="checkbox"/> 2011/65/EC | |

Standard references: EN 1596; EN 55014-1; EN 55014-2; EN 61000-3-2; EN 61000-3-3;
Prüf.-Nr. CE0085 BM0524 DVGW Bonn

Landau/Isar, den 03.04.2012

Brunhölzl/Leiter Produkt-Management

Landauer/Produkt-Management

First CE: 04
Art.-No.: 23.301.31 I.-No.: 11032
Subject to change without notice

Archive-File/Record: NAPR006023
Documents registrar: Josef Landauer
Wiesenweg 22, D-94405 Landau/Isar

Einhell Germany AG · Wiesenweg 22 · D-94405 Landau/Isar



Konformitätserklärung

- erklert folgende Konformitat gema EU-Richtlinie und Normen fur Artikel
 explains the following conformity according to EU directives and norms for the following product
 dclare la conformite suivante selon la directive CE et les normes concernant l'article
 dichiara la seguente conformita secondo la direttiva UE e le norme per l'articolo
 verklaart de volgende overeenstemming conform EU richtlijn en normen voor het product
 declara la siguiente conformidad a tenor de la directiva y normas de la UE para el artculo
 declara a seguinte conformidade, de acordo com a directiva CE e normas para o artigo
 attesterer flgende overensstemmelse i medfr af EU-direktiv samt standarder for artikel
 frklarar fljande verensstammelse enl. EU-direktiv och standarder fr artikeln
 vakuuttaa, ett tuote tytta EU-direktiivin ja standardien vaatimukset
 tendab toote vastavust EL direktiivile ja standarditele
 vydv nsledujc prohlen o shod podle smrnice EU a norem pro vrobek
 potrjuje sledeo skladnost s smernico EU in standardi za izdelak
 vydva nasledujce prehlsenie o zhode podl'a smernice EU a noriem pre vrobok
 a cikkekhez az EU-irnyvonal s Normk szerint a kvetkez konformitst jelenti ki
 deklaruje zgodnoc wymienionego ponizej artykuu z nastpujcymi normami na podstawie dyrektywy WE.
 декларира сответното сответствие сгласно Директива на ЕС и норми за артикул
 paskaidro adu atbilstbu ES direktvai un standartiem
 apibdina j atitikim EU reikalavimams ir preks normoms
 declar urmtoarea conformitate conform directivei UE i normelor pentru articolul
 dlwni tn aklouh smmrfwsh smfwna me th Ohga EK kai ta prtpta ga to proon
 potvruje sljedecu uskladenost prema smjernicama EU i normama za artikl
 potvruje sljedecu uskladenost prema smjernicama EU i normama za artikl
 potvruje sledecu uskladenost prema smernicama EZ i normama za artikla
 слeдующим удoствeряeтcя, что слeдующие прoдукты соoтветствуют директивам и нормам ЕС
 проголoшуe про зазначeну нижчe вдповднсть вирoбу директивам та стандартам ЕС на вирб
 ja izjavuva slednata soobrznost soglasno EU-direktivata i normite za artikli
 rn ille ilgili AB direktifleri ve normlari gereince aagda aıklanan uygunluu belirtir
 erklrer flgende samsvar i henhold til EU-direktivet og standarder for artikkel
 Lysir uppfyllingu EU-reglna og annarra stala vru

Heiluftgenerator HGG 171 Niro (Einhell)

- | | |
|---|--|
| <input type="checkbox"/> 87/404/EC_2009/105/EC | <input type="checkbox"/> 2006/42/EC |
| <input type="checkbox"/> 2005/32/EC_2009/125/EC | <input type="checkbox"/> Annex IV
Notified Body:
Notified Body No.:
Reg. No.: |
| <input checked="" type="checkbox"/> 2006/95/EC | |
| <input type="checkbox"/> 2006/28/EC | |
| <input checked="" type="checkbox"/> 2004/108/EC | <input type="checkbox"/> 2000/14/EC_2005/88/EC |
| <input type="checkbox"/> 2004/22/EC | <input type="checkbox"/> Annex V |
| <input type="checkbox"/> 1999/5/EC | <input type="checkbox"/> Annex VI
Noise: measured L _{WA} = dB (A); guaranteed L _{WA} = dB (A)
P = KW; L/Ø = cm
Notified Body: |
| <input type="checkbox"/> 97/23/EC | |
| <input checked="" type="checkbox"/> 90/396/EC_2009/142/EC | |
| <input type="checkbox"/> 89/686/EC_96/58/EC | <input type="checkbox"/> 2004/26/EC
Emission No.: |
| <input checked="" type="checkbox"/> 2011/65/EC | |

Standard references: EN 1596; EN 55014-1; EN 55014-2; EN 61000-3-2; EN 61000-3-3;
Prf.-Nr. CE0085 BM0524 DVGW Bonn

Landau/Isar, den 03.04.2012

Brunhlzl/Leiter Produkt-Management

Landauer/Produkt-Management

First CE: 04
Art.-No.: 23.304.36 I.-No.: 11032
Subject to change without notice

Archive-File/Record: NAPR006024
Documents registrar: Josef Landauer
Wiesenweg 22, D-94405 Landau/Isar

GB

The reprinting or reproduction by any other means, in whole or in part, of documentation and papers accompanying products is permitted only with the express consent of ISC GmbH.

F

La réimpression ou une autre reproduction de la documentation et des documents d'accompagnement des produits, même incomplète, n'est autorisée qu'avec l'agrément exprès de l'entreprise ISC GmbH.

NL

Nadruk of andere reproductie van documentatie en geleidepapieren van de producten, geheel of gedeeltelijk, enkel toegestaan mits uitdrukkelijke toestemming van ISC GmbH.

E

La reimpresión o cualquier otra reproducción de documentos e información adjunta a productos, incluida cualquier copia, sólo se permite con la autorización expresa de ISC GmbH.

I

La ristampa o l'ulteriore riproduzione, anche parziale, della documentazione o dei documenti d'accompagnamento dei prodotti è consentita solo con l'esplicita autorizzazione da parte della ISC GmbH.

H

Az termékek dokumentációjának és kisérő okmányainak az utánnymása és sokszorosítása, kivonatosan is csak az ISC GmbH kifejezett beleegyezésével engedélyezett.

BG

Препечатването или размножаването по друг начин на документация и придружаващи документи на продукти на, дори и като извадка, се допуска само с изричното разрешение на ISC GmbH.

CZ

Dotisk nebo jiné rozmnožování dokumentace a průvodních dokumentů výrobků, také pouze výňatků, je přípustné výhradně se souhlasem firmy ISC GmbH.

HR

Naknadno tiskanje ili slična umnožavanja dokumentacije i pratećih papira ovih proizvoda, čak i djelomično kopiranje, moguće je samo uz izričito dopuštenje tvrtke ISC GmbH.

SK

Kopírovanie alebo iné rozmnožovanie dokumentácie a sprievodných podkladov produktov, a to aj čiastočné, je prípustné len s výslovným povolením spoločnosti ISC GmbH.

- Ⓔ Technical changes subject to change
- Ⓕ Sous réserve de modifications
- Ⓖ Technische wijzigingen voorbehouden
- Ⓗ Salvo modificaciones técnicas
- Ⓛ Con riserva di apportare modifiche tecniche
- Ⓜ Technikai változások jogát fenntartva
- Ⓝ Запазва се правото за технически промени
- Ⓒ Technické změny vyhrazeny
- Ⓢ Zadržavamo pravo na tehnične izmjene.
- Ⓚ Technické změny vyhradené

GUARANTEE CERTIFICATE

Dear Customer,

All of our products undergo strict quality checks to ensure that they reach you in perfect condition. In the unlikely event that your device develops a fault, please contact our service department at the address shown on this guarantee card. Of course, if you would prefer to call us then we are also happy to offer our assistance under the service number printed below. Please note the following terms under which guarantee claims can be made:

1. These guarantee terms cover additional guarantee rights and do not affect your statutory warranty rights. We do not charge you for this guarantee.
2. Our guarantee only covers problems caused by material or manufacturing defects, and it is restricted to the rectification of these defects or replacement of the device. Please note that our devices have not been designed for use in commercial, trade or industrial applications. Consequently, the guarantee is invalidated if the equipment is used in commercial, trade or industrial applications or for other equivalent activities. The following are also excluded from our guarantee: compensation for transport damage, damage caused by failure to comply with the installation/assembly instructions or damage caused by unprofessional installation, failure to comply with the operating instructions (e.g. connection to the wrong mains voltage or current type), misuse or inappropriate use (such as overloading of the device or use of non-approved tools or accessories), failure to comply with the maintenance and safety regulations, ingress of foreign bodies into the device (e.g. sand, stones or dust), effects of force or external influences (e.g. damage caused by the device being dropped) and normal wear resulting from proper operation of the device. This applies in particular to rechargeable batteries for which we nevertheless issue a guarantee period of 12 months.

The guarantee is rendered null and void if any attempt is made to tamper with the device.

3. The guarantee is valid for a period of 2 years starting from the purchase date of the device. Guarantee claims should be submitted before the end of the guarantee period within two weeks of the defect being noticed. No guarantee claims will be accepted after the end of the guarantee period. The original guarantee period remains applicable to the device even if repairs are carried out or parts are replaced. In such cases, the work performed or parts fitted will not result in an extension of the guarantee period, and no new guarantee will become active for the work performed or parts fitted. This also applies when an on-site service is used.
4. In order to assert your guarantee claim, please send your defective device postage-free to the address shown below. Please enclose either the original or a copy of your sales receipt or another dated proof of purchase. Please keep your sales receipt in a safe place, as it is your proof of purchase. It would help us if you could describe the nature of the problem in as much detail as possible. If the defect is covered by our guarantee then your device will either be repaired immediately and returned to you, or we will send you a new device.

Of course, we are also happy offer a chargeable repair service for any defects which are not covered by the scope of this guarantee or for units which are no longer covered. To take advantage of this service, please send the device to our service address.

F BULLETIN DE GARANTIE

Chère Cliente, Cher Client,

Nos produits sont soumis à un contrôle de qualité très strict. Si cet appareil devait toutefois ne pas fonctionner impeccablement, nous en serions désolés. Dans un tel cas, nous vous prions de bien vouloir prendre contact avec notre service après-vente à l'adresse indiquée sur le bulletin de garantie. Nous restons également volontiers à votre disposition au numéro de téléphone de service indiqué plus bas. Pour faire valoir une demande de garantie, ce qui suit est valable :

1. Les conditions de garantie règlent les prestations de garantie supplémentaires. Vos droits de garantie légaux ne sont en rien altérés par la garantie présente. Notre prestation de garantie est gratuite.
2. La prestation de garantie s'applique exclusivement aux défauts occasionnés par des vices de fabrication ou de matériau et est limitée à l'élimination de ces défauts ou encore au remplacement de l'appareil. Veillez au fait que nos appareils, conformément à leur affectation, n'ont pas été construits pour être utilisés dans un environnement professionnel, industriel ou artisanal. Un contrat de garantie ne peut avoir lieu dès lors que l'appareil est utilisé à des activités dans des entreprises professionnelles, artisanales ou industrielles ou toute autre activité du même genre. Sont également exclus de notre garantie : les prestations de substitution de dommages dus aux transports, les dommages occasionnés par le non-respect des instructions de montage ou en raison d'une installation non conforme, du non-respect du mode d'emploi (comme par exemple le raccordement à une mauvaise tension réseau ou à un mauvais type de courant), les applications abusives ou non conformes (comme par exemple une surcharge de l'appareil ou encore l'emploi d'accessoires non homologués), le non-respect des prescriptions de maintenance et de sécurité, l'infiltration de corps étrangers dans l'appareil (comme par exemple du sable, des pierres ou de la poussière), l'emploi de la force ou l'influence extérieure (comme par exemple les dommages dus à une chute), ainsi que l'usure normale conforme à l'utilisation. Ceci est particulièrement valable pour les accumulateurs pour lesquels nous offrons toutefois une période de garantie de 12 mois.

Le droit à la garantie disparaît dès lors que des interventions ont lieu sur l'appareil.

3. Le délai de garantie s'élève à 2 ans et commence à la date de l'achat de l'appareil. Les demandes de garanties doivent être présentées avant écoulement du délai de garantie, dans les deux semaines suivant le moment auquel le défaut a été reconnu. Toute reconnaissance de demande de garantie après écoulement du délai de garantie est exclue. La réparation ou l'échange de l'appareil n'entraîne nullement une prolongation de la durée de garantie. Elle ne fait pas non plus commencer un nouveau délai de garantie, en raison de cette prestation, pour l'appareil ou pour toute autre pièce de rechange intégrée. Ceci est également valable lorsqu'un service après-vente sur place a été consulté.
4. Pour faire reconnaître votre demande de garantie, veuillez nous envoyer l'appareil défectueux franco de port à l'adresse indiquée ci-dessous. Ajoutez à l'envoi l'original du bon d'achat ou de tout autre preuve de l'achat datée. Veuillez donc toujours bien conserver le bon d'achat en guise de preuve ! Décrivez la raison de la réclamation le plus précisément possible. Si le défaut de l'appareil est compris dans notre prestation de garantie, nous vous retournerons sans délai un appareil réparé ou encore un nouveau.

Bien entendu, nous sommes prêts également à réparer les appareils défectueux contre remboursement des frais, dès lors que l'appareil n'est plus ou pas garanti. Pour ce faire, veuillez envoyer l'appareil à notre adresse de service après-vente.

GARANTIEBEWIJS

Geachte klant,

onze producten zijn aan een strenge kwaliteitscontrole onderhevig. Mocht dit apparaat echter ooit niet naar behoren functioneren, spijt het ons ten zeerste en vragen u zich tot onze servicedienst onder het adres vermeld op dit garantiebewijs te wenden. Wij staan ook graag telefonisch tot uw dienst via het hieronder vermelde servicetelefoonnummer. Voor vorderingen in verband met garantie geldt het volgende:

1. Deze garantievoorwaarden regelen bijkomende garantieprestaties. Uw wettelijke garantieclaims blijven onaangetast door deze garantie. Onze garantieprestatie is voor uw gratis.
2. De garantieprestatie heeft uitsluitend betrekking op gebreken die te wijten zijn aan materiaal- of fabricagefouten en is beperkt tot het verhelpen van deze gebreken of het vervangen van het apparaat. Wij wijzen erop dat onze apparaten overeenkomstig hun bestemming niet geconstrueerd zijn voor commercieel, ambachtelijk of industrieel gebruik. Een garantieovereenkomst komt daarom niet tot stand als het apparaat in ambachtelijke of industriële bedrijven alsmede bij gelijk te stellen activiteiten wordt gebruikt. Uitgesloten van onze garantie zijn verder schadeloosstellingen voor transportschade, schade door niet-naleving van de montage-instructies of op grond van ondeskundige installatie, niet-naleving van de handleiding (zoals door b.v. aansluiting op een verkeerde netspanning of stroomsoort), oneigenlijke of onoordeelkundige toepassingen (zoals b.v. overbelasting van het apparaat of gebruik van niet toegestane inzetgereedschappen of toebehoren), niet-naleving van de onderhouds- en veiligheidsbepalingen, binnendringen van vreemde voorwerpen in het apparaat (zoals b.v. zand, stenen of stof), gebruikmaking van geweld of invloeden van buitenaf (zoals b.v. schade door neervallen) alsmede door normale slijtage die zich bij het doelmatig gebruik van het apparaat voordoet. Dit geldt vooral voor accu's waarop wij 12 maanden garantie geven.

Er kan geen aanspraak op garantie worden gemaakt als op het apparaat reeds ingrepen werden uitgevoerd.

3. De garantieperiode bedraagt 2 jaar en gaat in op de datum van aankoop van het apparaat. Garantieclaims dienen voor het verloop van de garantieperiode binnen de twee weken na het vaststellen van het defect geldend te worden gemaakt. Het geldend maken van garantieclaims na verloop van de garantieperiode is uitgesloten. De herstelling of vervanging van het apparaat leidt noch tot een verlenging van de garantieperiode noch wordt door deze prestatie een nieuwe garantieperiode voor het apparaat of voor eventueel ingebouwde wisselstukken op gang gebracht. Dit geldt ook bij het ter plaatse uitvoeren van een serviceactiviteit.
4. Om een garantieclaim geldend te maken dient u het defecte apparaat franco op te sturen aan het hieronder vermelde adres. Voeg het originele verkoopbewijs of een ander gedateerd bewijs van aankoop bij. Gelieve daarom de kassabon als bewijs goed te bewaren! Wij verzoeken u de reden van de klacht zo nauwkeurig mogelijk te beschrijven. Valt het defect van het apparaat binnen onze garantieprestatie bezorgen wij u per omgaande een hersteld of nieuw apparaat terug.

Uiteraard staan wij ook tot u dienst om mits betaling van de kosten defecten van het apparaat te verhelpen die buiten de garantieomvang vallen. Te dien einde stuurt u het apparaat aan ons serviceadres op.

CERTIFICADO DE GARANTÍA

Estimado cliente:

Nuestros productos están sometidos a un estricto control de calidad. No obstante, lamentaríamos que este aparato dejara de funcionar correctamente, en tal caso, le rogamos que se dirija a nuestro servicio de atención al cliente en la dirección indicada en la parte inferior de la presente tarjeta de garantía. Con mucho gusto le atenderemos también telefónicamente en el número de servicio indicado a continuación. Para hacer válido el derecho de garantía, proceda de la siguiente forma:

1. Estas condiciones de garantía regulan prestaciones de la garantía adicionales. Sus derechos legales a prestación de garantía no se ven afectados por la presente garantía. Nuestra prestación de garantía es gratuita para usted.
2. La prestación de garantía se extiende exclusivamente a defectos ocasionados por fallos de material o de producción y está limitada a la reparación de los mismos o al cambio del aparato. Tenga en consideración que nuestro aparato no está indicado para un uso comercial, en taller o industrial. Por lo tanto, no procederá un contrato de garantía cuando se utilice el aparato en zonas industriales, comerciales o talleres, así como actividades similares. De nuestra garantía se excluye cualquier otro tipo de prestación adicional por daños ocasionados por el transporte, daños ocasionados por la no observancia de las instrucciones de montaje o por una instalación no profesional, no observancia de las instrucciones de uso (como, p. ej., conexión a una tensión de red o corriente no indicada), aplicaciones impropias o indebidas (como, p. ej., sobrecarga del aparato o uso de herramientas o accesorios no homologados), no observancia de las disposiciones de mantenimiento y seguridad, introducción de cuerpos extraños en el aparato (como, p. ej., arena, piedras o polvo), uso violento o influencias externa (como, p. ej., daños por caídas), así como por el desgaste habitual por el uso. Esto se aplica especialmente en aquellas baterías para las que ofrecemos un plazo de garantía de 12 meses.

El derecho a garantía pierde su validez cuando ya se hayan realizado intervenciones en el aparato.

3. El periodo de garantía es de 2 años y comienza en la fecha de la compra del aparato. El derecho de garantía debe hacerse válido, antes de finalizado el plazo de garantía, dentro de un periodo de dos semanas una vez detectado el defecto. El derecho de garantía vence una vez transcurrido el plazo de garantía. La reparación o cambio del aparato no conllevará ni una prolongación del plazo de garantía ni un nuevo plazo de garantía ni para el aparato ni para las piezas de repuesto montadas. Esto también se aplica en el caso de un servicio *in situ*.
4. Para hacer efectivo su derecho a garantía, envíe gratuitamente el aparato defectuoso a la dirección indicada a continuación. Adjunte el original del ticket de compra u otro tipo de comprobante de compra con fecha. ¡A tal efecto, guarde en lugar seguro el ticket de compra como comprobante! Describa con la mayor precisión posible el motivo de la reclamación. Si nuestra prestación de garantía incluye el defecto aparecido en el aparato, recibirá de inmediato un aparato reparado o nuevo de vuelta.

Naturalmente, también solucionaremos los defectos del aparato que no se encuentren comprendidos o ya no se encuentren comprendidos en la garantía, en este caso contra reembolso de los costes. Para ello, envíe el aparato a nuestra dirección de servicio técnico.

CERTIFICATO DI GARANZIA

Gentili clienti,

i nostri prodotti sono soggetti ad un rigido controllo di qualità. Se l'apparecchio non dovesse tuttavia funzionare correttamente, ci scusiamo e vi preghiamo di rivolgervi al nostro servizio di assistenza clienti all'indirizzo indicato in questa scheda di garanzia. Siamo a vostra disposizione anche telefonicamente al numero del servizio assistenza sotto indicato. Per la rivendicazione dei diritti di garanzia vale quanto segue:

1. Queste condizioni di garanzia regolano ulteriori prestazioni di garanzia. La presente garanzia non tocca i vostri diritti al ricorso di garanzia previsti dalla legge. Le nostre prestazioni di garanzia sono per voi gratuite.
2. La prestazione di garanzia riguarda esclusivamente le anomalie riconducibili a difetti del materiale o di produzione ed è limitata all'eliminazione di queste anomalie o alla sostituzione dell'apparecchio. Tenete presente che i nostri apparecchi non sono stati costruiti per l'impiego professionale, artigianale o industriale. Un contratto di garanzia non viene concluso quando l'apparecchio viene usato in imprese commerciali, artigianali o industriali, o con attività equivalenti. Dalla nostra garanzia sono escluse inoltre le prestazioni di risarcimento per danni dovuti al trasporto o danni causati dalla mancata osservanza delle istruzioni per il montaggio o per installazione non corretta, dalla mancata osservanza delle istruzioni per l'uso (come per es. collegamento a tensione di rete o tipo di corrente non corretto), dall'uso improprio o illecito (come per es. sovraccarico dell'apparecchio o utilizzo di utensili o accessori non consentiti), dalla mancata osservanza delle norme di sicurezza e di manutenzione, dalla penetrazione di corpi estranei nell'apparecchio (come per es. sabbia, pietre o polvere), dall'impiego della forza o dall'influsso esterno (come per es. danni dovuti a caduta) e dall'usura normale e dovuta all'impiego. Ciò vale particolarmente per batterie, per esse concediamo tuttavia 12 mesi di garanzia

Il diritti di garanzia decadono quando sono già effettuati interventi sull'apparecchio.

3. Il periodo di garanzia è 2 anni e inizia alla data d'acquisto dell'apparecchio. I diritti di garanzia devono essere fatti valere prima della scadenza del periodo di garanzia, entro due settimane dopo avere accertato il difetto. È esclusa la rivendicazione di diritti di garanzia dopo la scadenza del relativo periodo. La riparazione o la sostituzione dell'apparecchio non comporta una proroga del periodo di garanzia e con questa prestazione per l'apparecchio o per pezzi di ricambio eventualmente installati non inizia un nuovo periodo di garanzia. Questo vale anche nel caso si ricorra ad un servizio sul posto.
4. Per la rivendicazione dei vostri diritti di garanzia inviate l'apparecchio difettoso franco di porto all'indirizzo sotto indicato. Allegate lo scontrino di cassa in originale o un'altra prova d'acquisto che riporti la data. Conservate bene perciò lo scontrino di cassa come prova! Indicate il motivo di reclamo nel modo più dettagliato possibile. Se il difetto dell'apparecchio rientra nella nostra prestazione di garanzia, ricevete l'apparecchio riparato o un apparecchio nuovo a stretto giro di posta.

Naturalmente effettuiamo a pagamento anche riparazioni sull'apparecchio che non rientrano o non rientrano più nella garanzia. A tale scopo inviate l'apparecchio all'indirizzo del servizio assistenza.

GARANCIAOKMÁNY

Tisztelt Vevő,

termékeink szigorú minőségi kontroll alá vannak vetve. Ha ez a készülék mégis egyszer nem működne kifogástalanul, akkor azt nagyon sajnáljuk és kérjük Önt forduljon a szervízszolgáltatásunkhoz amely ebben a garanciaártyában megadott cím alatt található. Szívesen állunk a rendelkezésére telefonon is, az alul megadott szervízszám alatt. A garanciaigények érvényesítésére a következők érvényesek:

1. Ezek a garanciafeltételek szabályozzák a kiegészítő garanciateljesítményeket. A jogi szavatossági igények, ez a garancia által nincsenek érintve. A garanciateljesítményünk az Ön számára ingyenes.
2. A garanciateljesítmény csak kizárólagosan olyan hibákra terjed ki, amelyek anyag- vagy gyártási hibákra visszavezethetőek és ezeknek a hibáknak a kiküszöbölésére ill. a készülék kicserélésére van korlátozva. Kérjük vegye figyelembe, hogy a készülékeink a meghatározásuk szerint nem kisipari, kézműipari vagy ipari üzemek területén történő bevetésre lettek tervezve. Ezért a garanciaszerződés nem jön létre, ha a készülék kisipari, kézműipari vagy ipari üzemek területén valamint egyenértékű tevékenységek területén van használva. Továbbá a következő kárpótlási teljesítmények mint a szállítási károkért, károkért amelyek az összeszerelési utasítás figyelmen kívül hagyása vagy amelyek a nem szakszerű felszerelés, a használati utasítás figyelmen kívül hagyása (mint például egy rossz hálózati feszültségre vagy áramfajtára való rákapcsolás), visszaélészerű vagy nem szakszerű használatok (mint például a készülék túlterhelése vagy nem engedélyezett betétszámok vagy tartozékok), a karbantartási és biztonsági határozatok figyelmen kívül hatása, idegen testek behatolása a készülékbe (mint például homok, kövek vagy por) erőszakbehatolás vagy idegen behatások (mint például leejtés általi károk) úgymint a használat általi, szokásos kopások által keletkező károk ki vannak zárva. Ez különösen azokra az akkukra érvényes, amelyekre még egy 12 hónapos garanciaidőt nyújtunk.

A készüléken történő előzetes belenyúlás esetén elveszítődik a garanciajogosultság.

3. A garanciaidő érvényessége 2 év és a készülék vásárlási időpontjával kezdődik. A garanciaigények a garanciaidő lejárása előtt, két héten belül érvényesíteni kell, miután felismerte a hibát. A garanciajog érvényesítése a garancia idő lejárása után ki van zárva. A készülék kicserélése vagy megjavítása nem vezet a garancia időtartamának a meghosszabításához se nem vezet ez a teljesítmény a készülék vagy az esetleg beépített pótalkatrészek egy új garanciaidőtartamhoz. Ez egy helyszíni szervíz esetében is érvényes.
4. A garanciajog érvényesítéséhez kérjük küldje a defekt készüléket bérmentesen a lent megadott címre. Mellélkelje a vásárlási nyugtát eredetiben vagy egyéb módon levő bizonylatot a vásárlás keltéről. Kérjük őrizze ezért jól meg a pénztári cédulát mind bizonyítékok! Kérjük írja le lehetőleg pontosan a reklamáció okát. Ha a defekt a garanciateljesítményünk keretén belül van, akkor kap azonnal egy megjavított vagy egy új készüléket vissza.

Magától érthetődő, hogy a költségek megtérítése ellenében szívesen megjavítsuk azokat a készüléken levő defekteket amelyek a garancia terjedelme nem vagy már nem érinti. Ehhez küldje kérjük a készüléket a szervícímünkre.

BG ДОКУМЕНТ ЗА ГАРАНЦИЯ

Уважаеми клиенти,

нашите продукти подлежат на строг качествен контрол. В случай, че въпреки това в даден момент този уред не работи безупречно, изказваме съжалението си и Ви молим, да се обърнете към нашата сервизна служба на посочения на тази гаранционна карта адрес. С удоволствие сме на Ваше разположение и по телефона на посочения телефонен номер в сервиза. За предявяването на претенциите по отношение на гаранцията е в сила следното:

1. Тези гаранционни условия уреждат допълнителни гаранционни услуги. Вашите законни права при недостатъци на престацията не биват засегнати от тази гаранция. Нашата гаранционна услуга е безплатна за Вас.
2. Гаранционната услуга се разпростира изключително върху дефекти, които се дължат на дефекти в суровината или производствени дефекти и се ограничава до отстраняване на тези дефекти, респ. до подмяна на уреда. Моля, обърнете внимание на това, че нашите уреди съгласно предназначението не са конструирани за промишлена, занаятчийска или индустриална употреба. Гаранционен договор при това не се сключва, когато уредът се използва в промишлени, занаятчийски или индустриални предприятия, както и при равностойни на тях дейности. От нашата гаранция се изключват също така допълнителни услуги за транспортни щети, щети поради не съблюдаване на упътването за монтажа или въз основа на не прецизна инсталация, не съблюдаване на упътването за употреба (като напр. поради свързване към неподходящо електрическо напрежение или вид ток), груби или неподходящи за целта приложения (като напр. претоварване на уреда или използване на не позволени инструменти за употреба или оборудване), не спазване на разпоредбите за поддръжка и безопасност, навлизане на чужди тела в уреда (като напр. пясък, камъни или прах), употреба на сила или чужди намеси (като напр. щети, получени чрез падане) както и поради обичайното изхабяване при употребата. Това важи по-специално за акумулатори, за които въпреки това осигуряваме гаранционен срок от 12 месеца.

Правото за гаранция изтича, когато по уреда вече са били извършени намеси.

3. Гаранционният период е 2 години и започва от датата на покупка на уреда. Гаранционните права трябва да се предявят преди изтичане на гаранционния период в рамките на две седмици, след като сте открили дефекта. Предявяването на гаранционните права след изтичане на гаранционния период е изключено. Поправката или подмяната на уреда не води до удължаване на гаранционния период, както и с тази услуга за уреда или за евентуални монтирани резервни части не започва нов гаранционен период. Това важи също и при използване на сервизни услуги на място.
4. За предявяването на Вашето гаранционно право, моля, изпратете дефектния уред на посочения по-долу адрес без заплащане на пощенска такса. Приложете квитанцията в оригинал или друг удостоверяващ покупката документ с дата. Моля, затова пазете добре касовия бон като доказателство! Моля, опишете ни причината за рекламацията възможно най-точно. Ако дефектът на уреда е включен в нашата гаранционна услуга, веднага ще получите обратно поправен или нов уред.

Разбира се, в замяна на възстановяването на разходите ние с удоволствие отстраняваме също и дефекти по уреда, които не са или вече не са включени в обхвата на гаранцията. За целта, моля, изпратете уреда на нашия адрес в сервиза.

ZÁRUČNÍ LIST

Vážená zákaznice, vážený zákazníku,

naše výrobky podléhají přísné kontrole kvality. Pokud i přesto tento přístroj bezvadně nefunguje, velice toho litujeme a prosíme Vás, abyste se obrátili na náš zákaznický servis, jehož adresa je uvedena na tomto záručním listu. Rádi Vám budeme k dispozici také telefonicky na níže uvedeném servisním čísle. Pro uplatňování nároků na záruku platí následující:

1. Tyto záruční podmínky upravují dodatečný záruční servis. Vašich zákonných nároků na záruku se tato záruka netýká. Náš záruční servis je pro Vás bezplatný.
2. Záruční servis se vztahuje výhradně na nedostatky, které lze odvodit z vad materiálu nebo výrobních vad a je také omezen pouze na odstranění těchto nedostatků, resp. výměnu přístroje. Dbejte prosím na to, že naše přístroje nebyly podle svého účelu určeny konstruovány pro živnostenské, řemeslnické nebo průmyslové použití. Záruční smlouva tak není realizována, pokud byl přístroj používán v živnostenských, řemeslných nebo průmyslových podnicích a při srovnatelných činnostech. Z naší záruky je dále vyloučeno poskytnutí náhrady za dopravní škody, škody způsobené nedodržením montážního návodu nebo z důvodů neodborné instalace, nedodržení návodu k použití (jako např. připojení na chybné síťové napětí nebo druh proudu), nedovoleného nebo neodborného používání (jako např. přetížení přístroje nebo použití neschválených vložných nástrojů nebo příslušenství), nedodržení pokynů pro údržbu a bezpečnostních pokynů, vniknutí cizích těles do přístroje (jako např. písek, kameny nebo prach), použití násilí nebo poškození v důsledku cizích vlivů (jako např. škody způsobené pádem), jakož také běžného opotřebení způsobeného používáním. To platí obzvláště pro akumulátory, na které přesto poskytujeme záruční lhůtu 12 měsíců.

Nárok na záruku zaniká, pokud bylo do přístroje již zasahováno.

3. Záruční doba činí 2 roky a začíná datem koupě přístroje. Nároky na záruku před vypršením záruční doby je třeba uplatňovat během dvou týdnů od zjištění defektu. Uplatňování nároků na záruku po vypršení záruční doby je vyloučeno. Oprava nebo výměna přístroje nevede k prodloužení záruční doby, ani k zahájení nové záruční doby za provedený výkon pro přístroj nebo pro případně zamontované náhradní díly. Toto platí také v případě servisu v místě Vašeho bydliště.
4. Při uplatňování Vašeho nároku na záruku zašlete prosím přístroj bez poštovného na níže uvedenou adresu. Přiložte originál prodejního dokladu nebo jiného datovaného potvrzení o koupi. Pokladní lístek si proto dobře uložte jako důkaz! Popište nám prosím pokud možno přesně důvod reklamace. Je-li defekt přístroje v našem záručním servisu obsažen, obdržíte obratem opravený nebo nový přístroj.

Samozřejmě rádi za úhradu nákladů odstraníme defekty na přístroji, které nespádají nebo již nespádají do rozsahu záruky. K tomu nám přístroj prosím zašlete na naši servisní adresu.

HR BIH JAMSTVENI LIST

Poštovani kupče,

naši proizvodi podliježu strogoj kontroli kvalitete. Žao nam je ako bi ipak došlo do toga da uređaj ne funkcionira besprijekorno i zamolili bismo Vas da se u tom slučaju obratite na adresu naše servisne službe navedenu ispod ovog jamstva. Također smo Vam na raspolaganju na dolje navedenom telefonskom broju servisne službe. Za traženje jamstvenog zahtjeva vrijedi sljedeće:

1. Ovi jamstveni uvjeti reguliraju dodatne jamstvene usluge. Ovo jamstvo ne zadire u Vaše zakonsko pravo zahtjeva za ostvarenje jamstvenih usluga. Realizacija jamstvenih usluga je besplatna.
2. Jamstvena usluga obuhvaća isključivo nedostatke nastale zbog greške na materijalu ili tijekom proizvodnje i ograničen je na uklanjanje tih nedostataka odnosno zamjenu uređaja. Molimo da obratite pažnju na to da naši uređaji nisu konstruirani za korištenje u komercijalne svrhe niti u obrtu i industriji. Prema tome, ugovor o jamstvu ne može se ostvariti ako se uređaj koristi u obrtničkim ili industrijskim pogonima kao i u sličnim djelatnostima. Nadalje su iz jamstva isključene usluge zamjene proizvoda u slučaju transportnih oštećenja, šteta zbog nepridržavanja uputa za montažu ili zbog nestručne instalacije, nepridržavanja uputa za uporabu (kao npr. zbog priključka na pogrešni mrežni napon ili vrstu struje), zbog zlorabe ili nestručnih primjena (kao npr. preopterećenje uređaja ili korištenje nedopuštenih alata ili pribora), u slučaju nepridržavanja uputa za održavanje i sigurnosnih odredbi, zbog prodiranja stranih tijela u uređaj (npr. pijeska, kamenja ili prašine), nasilne primjene ili vanjskih utjecaja (kao npr. oštećenja zbog pada) kao i zbog uobičajenog trošenja tijekom korištenja. To naročito vrijedi za baterije za koje ipak dajemo jamstvo od 12 mjeseci.

Zahtjev za jamstvo prestaje biti valjan ako su na uređaju već izvršeni neki zahvati.

3. Jamstveni rok iznosi 2 godine a započinje s datumom kupnje uređaja. Jamstveni zahtjevi ostvaruju se prije isteka jamstvenog roka unutar dvije godine nakon što ste uočili kvar. Ostvarenje jamstvenog zahtjeva nakon isteka jamstvenog roka je isključeno. Popravkom ili zamjenom uređaja ne produljuje se jamstveni rok niti se tom uslugom ostvaruju novi jamstveni rok za uređaj ili ostale ugrađene rezervne dijelove. To također vrijedi i kod korištenja servisa na licu mjesta.
4. Da biste ostvarili svoj jamstveni zahtjev, molimo Vas da nam pošaljete neispravan uređaj bez plaćanja poštarine na dolje navedenu adresu. Priložite originalni računa za kupnju uređaja ili neki drugi dokaz o kupnji s datumom. Molimo Vas da zbog tog razloga dobro sačuvate račun kao dokaz! Što točnije opišite razlog reklamacije. Ako naša jamstvena usluga obuhvaća kvar nastao na Vašem uređaju, odmah ćemo Vam vratiti popravljeni ili novi uređaj.

Razumljivo je da ćemo za naknadu troškova ukloniti i kvarove koje jamstvena usluga ne obuhvaća. U tom slučaju pošaljite uređaj na adresu našeg servisa.

SK ZÁRUČNÝ LIST

Vážená zákazníčka, vážený zákazník,

naše výrobky podliehajú prísnej kontrole kvality. V prípade, že nebude prístroj napriek tomu bezchybne fungovať, je nám to veľmi ľúto a prosíme Vás, aby ste sa obrátili na našu servisnú službu na adrese uvedenej na tomto záručnom liste. Radi Vám budeme k dispozícii taktiež telefonicky na uvedenom servisnom telefónnom čísle. Pri uplatňovaní nárokov na záručné plnenie platia nasledujúce podmienky:

1. Tieto záručné podmienky upravujú dodatočné záručné plnenie. Vaše zákonné nároky na záruku nie sú touto zárukou dotknuté. Naše záručné plnenie je pre Vás zadarmo.
2. Záručné plnenie sa vzťahuje výlučne len na nedostatky, ktoré sú spôsobené chybami materiálu alebo výrobnými chybami, a je obmedzené na odstránenie týchto nedostatkov resp. výmenu prístroja. Prosím, dbajte na to, že naše prístroje neboli svojim určením konštruované na profesionálne, remeselnícke ani priemyselné použitie. Táto záručná zmluva sa preto neuzatvára, ak sa prístroj bude používať v profesionálnych, remeselníckych alebo priemyselných prevádzkach ako aj na činnosti rovnocenné s takýmto použitím. Z našej záruky sú okrem toho vylúčené náhradné plnenie za škody pri transporte, škody spôsobené nedodržaním návodu na montáž alebo na základe neodbornej inštalácie, nedodržaním návodu na použitie (ako napr. pripojením na nesprávne sieťové napätie alebo druh prúdu), zneužívaním alebo nesprávnym používaním (ako napr. preťaženie prístroja alebo použitie neprípustných pracovných nástrojov alebo príslušenstva), nedodržaním pokynov pre údržbu a bezpečnostných pokynov, vniknutím cudzích telies do prístroja (ako napr. piesok, kamene alebo prach), použitím násilia alebo cudzieho pôsobenia (napr. škody spôsobené pádom), a taktiež je vylúčené bežné opotrebenie primerané použitiu. To sa týka predovšetkým akumulátorov, na ktoré napriek tomu garantujeme záručnú dobu 12 mesiacov.

Nárok na záruku zaniká, ak už boli na prístroji svojvoľne uskutočnené zásahy.

3. Doba záruky je 2 roky a začína sa dátumom nákupu prístroja. Nároky na záruku sa musia uplatniť pred koncom uplynutia záručnej doby do dvoch týždňov od zistenia nedostatku. Uplatnenie nárokov na záruku po uplynutí záručnej doby je vylúčené. Oprava alebo výmena prístroja nevedie k predĺženiu záručnej doby ani nedochádza na základe tohto plnenia ku vzniku novej záručnej doby pre prístroj ani pre akékoľvek inštalované náhradné diely. To platí taktiež pri nasadení miestneho servisu.
4. Pre uplatnenie nároku na záruku nám prosím zašlite defektný prístroj oslobodený od poštovného na dole uvedenú adresu. Priložte predajný doklad v origináli alebo iný doklad o zakúpení s dátumom. Prosím, starostlivo si preto uschovajte pokladničný blok ako doklad o zakúpení! Prosím, popíšte nám čo najpresnejšie dôvod reklamácie. Ak spadá defekt prístroja pod naše záručné plnenie, dostanete obratom naspäť opravený alebo nový prístroj.

Samozrejme Vám radi opravíme závady na prístroji na vaše náklady, ak tieto závady nespádajú alebo už nespádajú do rozsahu záruky. Prosím, pošlite nám v takom prípade prístroj na našu servisnú adresu.