

**Einhell**  
**EXPERT**

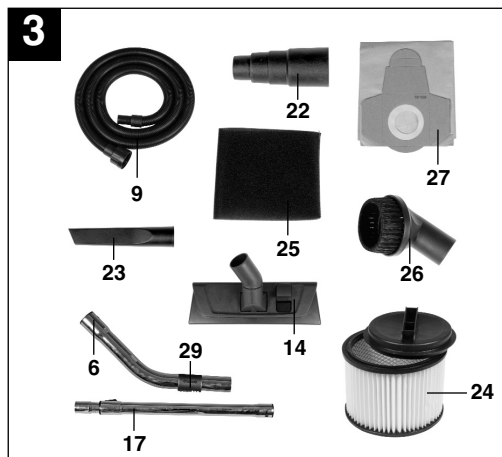
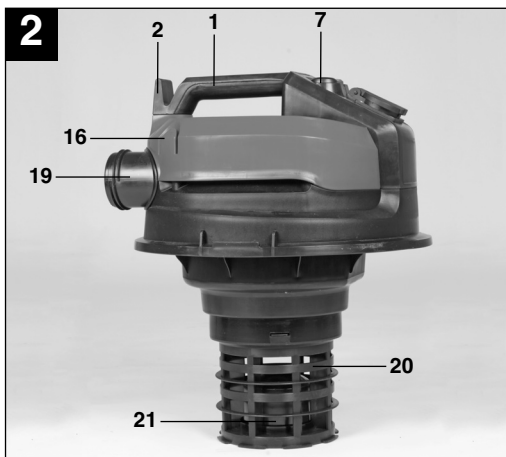
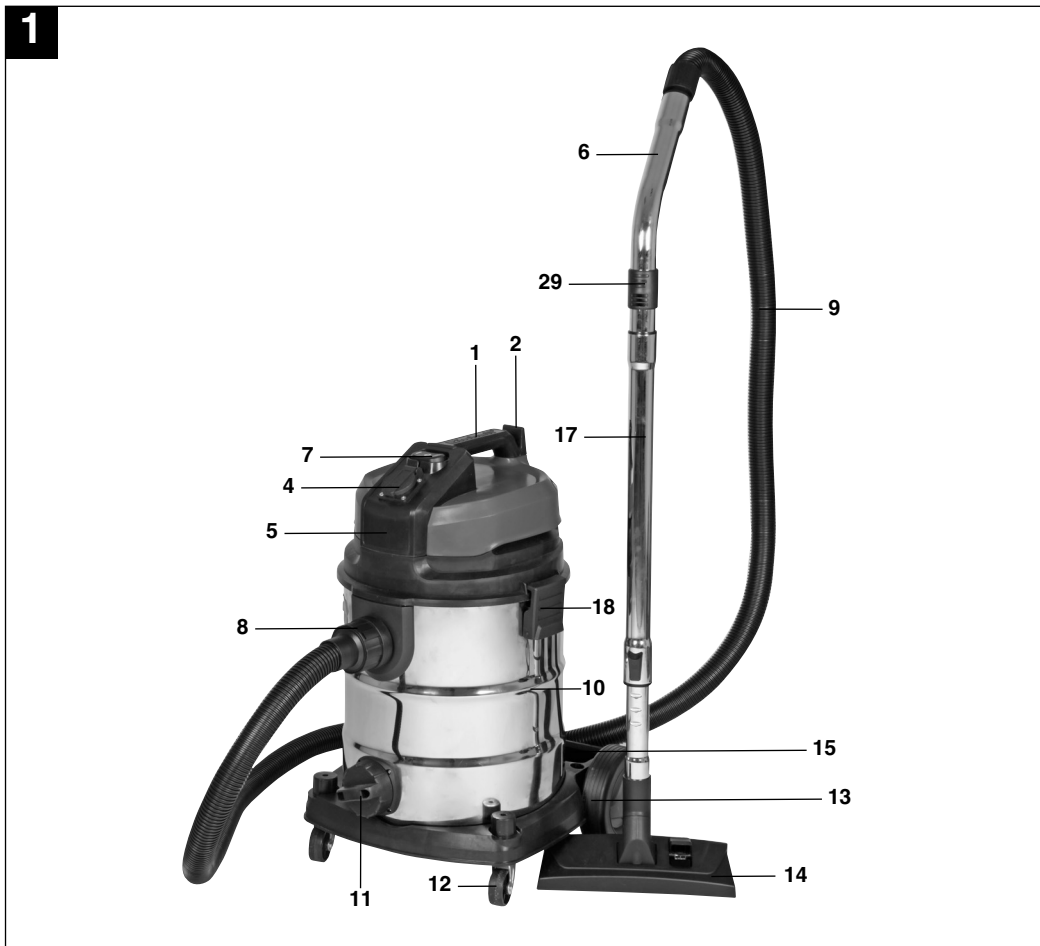
Ⓒ **Original operating instructions**  
**Wet and Dry Vacuum Cleaner**

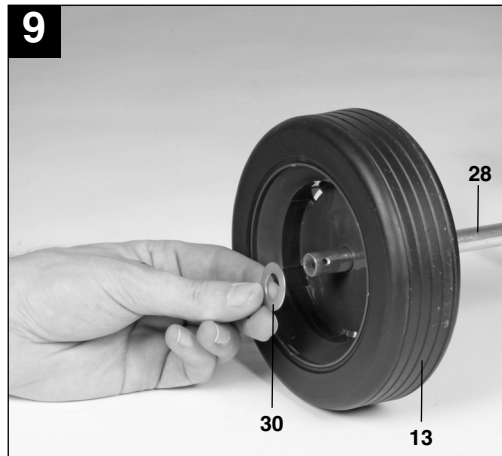
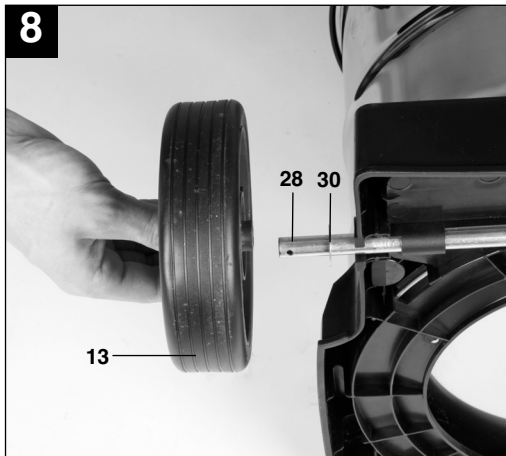
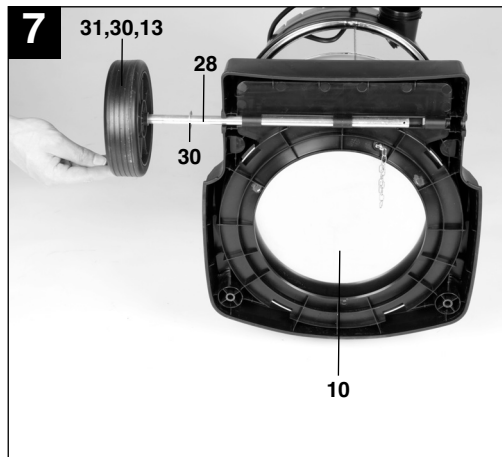
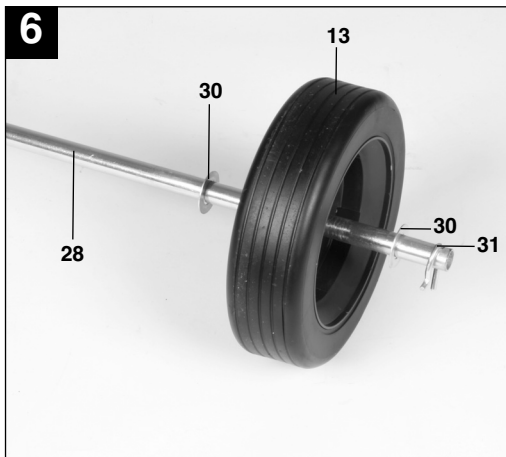
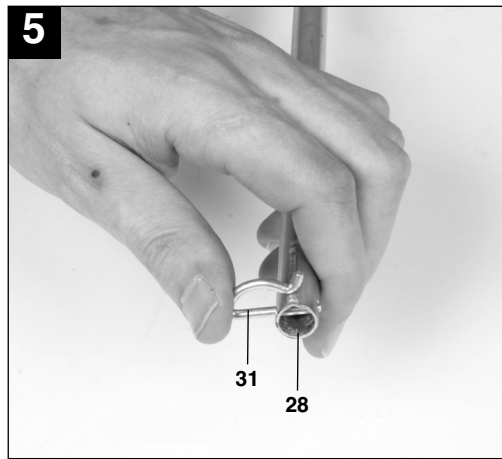
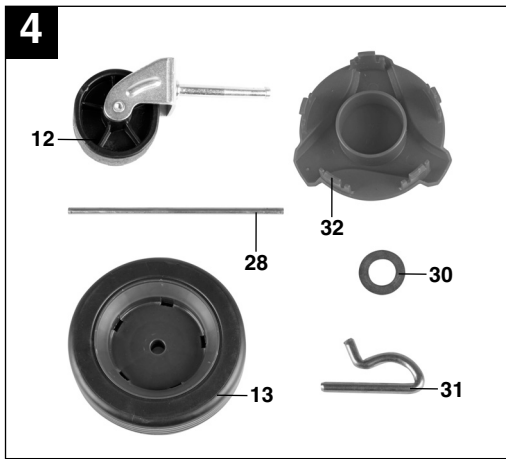
**7**

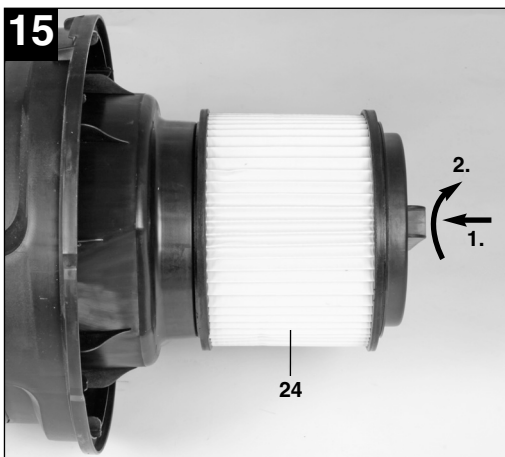
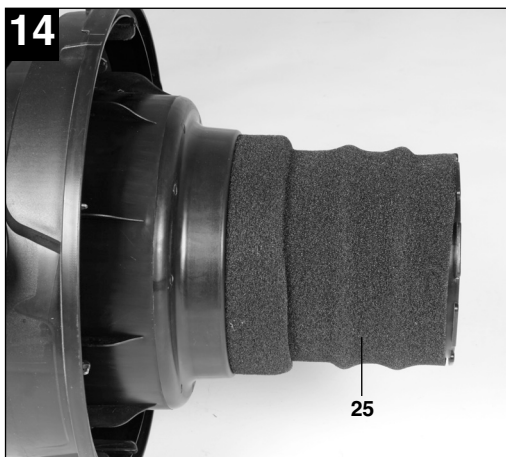
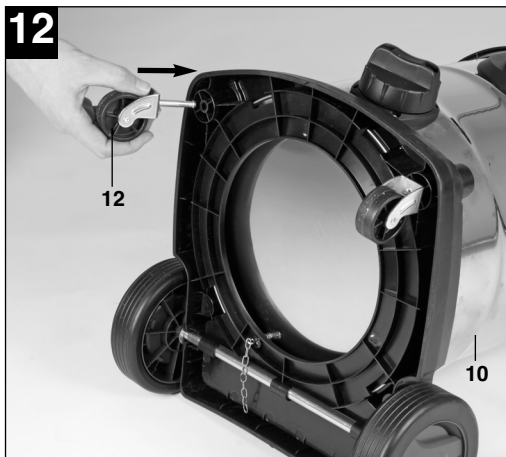
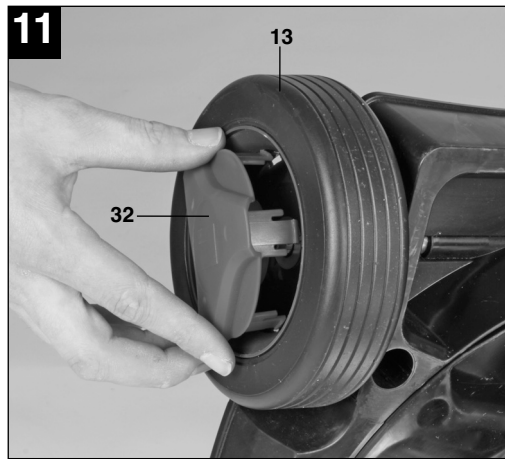
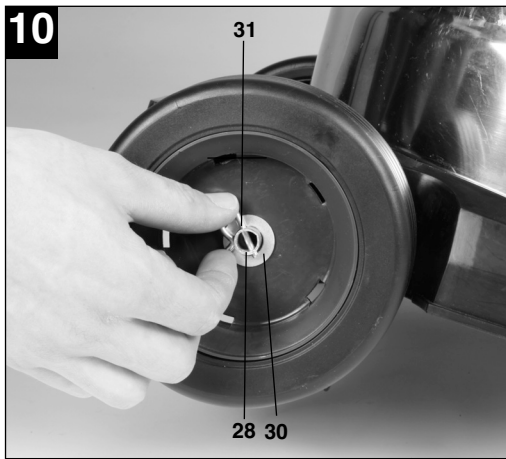
**Art.-Nr.: 23.423.56**

**I.-Nr.: 11012**

**TE-VC 1925 SA**







**⚠ Important!**

When using equipment, a few safety precautions must be observed to avoid injuries and damage. Please read the complete operating manual with due care. Keep this manual in a safe place, so that the information is available at all times. If you give the equipment to any other person, give them these operating instructions as well.

We accept no liability for damage or accidents which arise due to non-observance of these instructions and the safety information.

**1. Safety information**

- Important: Read the operating instructions before assembling and using the appliance for the first time.
- Check that the mains voltage is the same as the mains voltage specified on the rating plate.
- Pull out the power plug in the following circumstances: Whenever the appliance is not in use, before opening the appliance and before all cleaning and maintenance work.
- Never clean the appliance with solvents.
- Never pull the plug out of the socket by pulling the cable.
- Never leave the appliance unattended when operational.
- Keep away from children.
- Take care to ensure that the power cable does not get damaged by being run over, crushed, pulled or suchlike.
- Do not use the machine if the power cable is in a less than perfect condition.
- If the power cable has to be replaced, the replacement must comply with the design specifications of the manufacturer. Power cable: H 05 VV - F 3 x 1.5 mm<sup>2</sup>
- Never vacuum the following: Burning matches, smoldering ash and cigarette butts, combustible, caustic, inflammable or explosive substances, vapor or liquids.
- This appliance is not suitable for vacuuming dust which can be harmful to health.
- Store the appliance in a dry indoor location.
- Never use the appliance if it is damaged.
- Only allow the appliance to be serviced by an authorized after sales service outlet.
- Only use the appliance to carry out work for which has been designed.
- Take extra care when cleaning steps.
- Use only genuine accessories and spare parts.

This appliance is not intended for use by persons (including children) with reduced physical, sensory or mental capabilities, or lack of experience and knowledge, unless they have been given supervision or instruction concerning use of the appliance by a person responsible for their safety. Children should be supervised to ensure that they do not play with the appliance.

**2. Layout and items supplied (Fig. 1-4/15)**

1. Handle
2. Hook for cable store
3. Power cable
4. Automatic socket-outlet for electric tools
5. Head
6. Handle
7. ON/OFF/Automatic switch
8. Suction hose connection
9. Flexible suction hose
10. Tank
11. Water drain screw
12. Castors
13. Wheels
14. Dual purpose nozzle
15. Accessory compartment
16. Accessory holder
17. Suction tube
18. Locking hook
19. Blow connector
20. Filter cage
21. Safety float valve
22. Electric tool adapter
23. Crevice nozzle
24. Pleated filter with cover
25. Foam filter
26. Upholstery nozzle
27. Dirt bag
28. Axle for fitting the wheels
29. Air regulator
30. 4 x Washers for fitting the wheels
31. 2 x Split pins for fitting the wheels
32. 2 x Covers for fitting the wheels

**GB**

### 3. Intended use

The wet and dry vacuum cleaner is designed for wet and dry vacuuming using the appropriate filter. The appliance is not suitable for the vacuuming of combustible, explosive or harmful substances.

The machine is to be used only for its prescribed purpose. Any other use is deemed to be a case of misuse. The user / operator and not the manufacturer will be liable for any damage or injuries of any kind caused as a result of this.

Please note that our equipment has not been designed for use in commercial, trade or industrial applications. Our warranty will be voided if the machine is used in commercial, trade or industrial businesses or for equivalent purposes.

### 4. Technical data

Mains voltage:	220-240 V ~ 50 Hz
Power input:	800 watts
Max. power consumption of the automatic socket-outlet:	1500 watts
Max. total power consumption:	2300 watts
Container volume:	25 l
Weight:	9,7 kg

### 5. Before starting

#### Important!

- Before you connect the appliance to the mains supply make sure that the data on the rating plate are identical to the mains data.
- The appliance may only be connected to a shock-proof socket.

#### 5.1 Assembling the appliance

##### 5.1 Appliance assembly

##### Fitting the wheels (Fig. 4-11/13)

Place a split pin for fitting the wheels (31) through the appropriate hole in the axle (28) and fit a washer (30) and a wheel (13) to the axle (28) (Fig. 5-6). Now slide the axle (28) through the guides provided for it on the underside of the tank (10) (Fig. 7). Fit the second wheel (13) to the empty end of the axle (28) and secure it with the other washer (30) and the split pin (31) (Fig. 8-10). Push the covers (32) on to the outside of the wheels (13) so that the detents

engage on the covers (32) for the wheel (13). (Fig. 11).

##### Fitting the castors (Fig. 12/12)

Fit the castors (12) into the appropriate mountings on the underside of the tank (10). Push the castors (12) firmly into the mounting until they engage with a clicking noise (Fig. 12).

##### Fitting the appliance head (Fig. 5/14-15)

The appliance head (5) is fastened to the container (10) by the locking hook (18). To remove the appliance head (5), open the locking hook (18) and remove the appliance head (5). When fitting the appliance head (5), make sure that the locking hook (18) locks into place correctly.

#### 5.2 Fitting the filter

##### Important!

Never use the wet and dry vacuum cleaner without a filter.

Check that the filter is securely fitted at all times.

##### Fitting the foam filter (Fig. 14/25)

For wet vacuuming, slip the supplied foam filter (25) over the filter basket (Fig. 2/20). The pleated filter (24) already fitted upon delivery is not suitable for wet vacuuming.

##### Fitting the pleated filter (Fig. 15/24)

For dry-vacuuming, slip the pleated filter (Fig. 3/24) over the filter basket (Fig. 2/20). The pleated filter (24) is suitable for dry-vacuuming only.

#### 5.3 Fitting the suction hose (Fig. 1-3)

Connect the suction hose (9) to the corresponding connector on the wet and dry vacuum cleaner, depending on the application required.

##### Vacuuming

Connect the suction hose (9) to the suction hose connector (8).

##### Blowing

Connect the suction hose (9) to the blow connector (19).

##### Air regulator (Fig. 3/29)

The air regulator (29) can be fitted between the suction hose (9) and the suction tube (17). The suction power of the nozzle can be infinitely adjusted using the air regulator (29).

When wet vacuuming, make selective use of the air regulator to suck in air as well as liquids. This will help

to take some strain off the equipment when vacuuming liquids.

#### 5.4 Suction nozzles

##### Dual-purpose nozzle (Fig. 3)

The dual-purpose nozzle (14) is for vacuuming solids and liquids over medium to large areas.

##### Crevice nozzle (Fig. 3/)

The crevice nozzle (23) is designed for vacuuming solids and liquids in corners, edges and other areas that are difficult to access.

##### Upholstery nozzle (Fig. 3)

The upholstery nozzle (26) is specially designed for vacuuming solids on upholstery and carpets.

## 6. Operation

### 6.1 ON/OFF switch (Fig. 2/7)

Switch position 0: Off  
Switch position I: Normal operation  
Switch position AUTO: Automatic mode

### 6.2 Dry vacuuming

Use the pleated filter (24) for dry vacuuming (see point 5.2).

Always ensure that the filters are perfectly secure.

### 6.3 Wet vacuuming

For wet-vacuuming, use the foam filter (25) (see point 5.2).

Check that the filter is securely fitted at all times.

### Water drain screw (Fig. 1/11)

To make the tank (10) easier to empty after wet vacuuming, it is fitted with a water drain screw (11). Open the water drain screw (11) by turning it anti-clockwise and drain the liquid.

#### Important!

When wet vacuuming, the floating safety switch (21) closes when the maximum tank level is reached. In doing so, the suction noise of the equipment will change and become louder.

You must then switch off the equipment and empty the tank.

#### Important!

The wet and dry vacuum cleaner is not suitable for the vacuuming of combustible liquids. For wet vacuuming, use only the supplied foam filter.

### 6.4 Automatic mode

Connect the power cable on your electric tool to the automatic socket-outlet (4) and connect the suction hose (9) to the extractor connector on your electric tool. Check that the connections are secure and airtight.

You can use the supplied electric tool adaptor (22) to connect the suction hose (9) to the electric tool. To do so, fit it between the suction hose and the extractor port on the electric tool.

Set the switch (7) on the wet and dry vacuum cleaner to position AUTO, automatic mode. The moment you switch on the electric tool, the wet and dry vacuum cleaner switches on as well. When you switch off the electric tool, the wet and dry vacuum cleaner switches off as well after a pre-set delay.

### 6.5 Blowing

Connect the suction hose (9) to the blow connector (19) on the wet and dry vacuum cleaner.

## 7. Cleaning, maintenance and ordering of spare parts

#### Important!

Always pull out the mains power plug before starting any cleaning work.

### 7.1 Cleaning

- Keep all safety devices, air vents and the motor housing free of dirt and dust as far as possible.
- We recommend that you clean the appliance immediately after you use it.

### 7.2 Cleaning the appliance head (5)

Clean the appliance regularly with a damp cloth and some soft soap. Do not use cleaning agents or solvents; these may be aggressive to the plastic parts in the appliance.

### 7.3 Cleaning the container (10)

The container can be cleaned with a damp cloth and some soft soap or under running water, depending on the amount of dirt.

### 7.4 Cleaning the filters

#### Cleaning the pleated filter (24)

Clean the pleated filter (24) regularly by carefully patting it and cleaning it with a fine brush or hand brush.

**GB**

### **Cleaning the foam filter (25)**

Clean the foam filter (25) with a little soft soap under running water and allow it to air-dry.

### **7.5 Maintenance**

At regular intervals and before each use, check that the filters in the wet and dry vacuum cleaner are securely fitted.

### **7.6 Ordering replacement parts**

Please quote the following data when ordering replacement parts:

- Type of machine
- Article number of the machine
- Identification number of the machine
- Replacement part number of the part required

For our latest prices and information please go to [www.einhell.com.au](http://www.einhell.com.au)

## **8. Disposal and recycling**

The unit is supplied in packaging to prevent its being damaged in transit. This packaging is raw material and can therefore be reused or can be returned to the raw material system.

The unit and its accessories are made of various types of material, such as metal and plastic.

Defective components must be disposed of as special waste. Ask your dealer or your local council.



The guarantee provided in this Guarantee Certificate is given by Einhell Australia Pty Limited  
ACN 134 632 858 of 6/166 Wellington Street, Collingwood, Victoria (Telephone number 1300 922 271)  
(Einhell Express Guarantee).

## GUARANTEE CERTIFICATE

Dear Customer,

All of our products undergo strict quality checks. In the unlikely event that your device develops a fault, please contact our service department at the address shown on this guarantee certificate. Of course, if you would prefer to call us then we are also happy to offer our assistance under the service number printed below. Please note the following terms under which claims under the Einhell Express Guarantee can be made:

1. The benefits conferred by the Einhell Express Guarantee are in addition to all rights and remedies which you may be entitled to under the Australian Consumer Law, and any other statutory rights you may have under other applicable laws. This Einhell Express Guarantee does not exclude, restrict or modify any such rights or remedies.

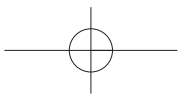
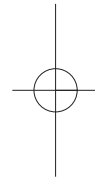
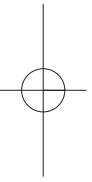
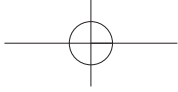
We do not charge you for the Einhell Express Guarantee.

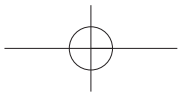
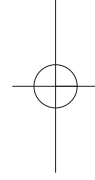
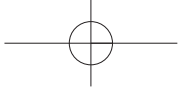
2. Our goods come with guarantees that cannot be excluded under the Australian Consumer Law. You are entitled to a replacement or refund for a major failure and for compensation for any other reasonably foreseeable loss or damage. You are also entitled to have the goods repaired or replaced if the goods fail to be of acceptable quality and the failure does not amount to a major failure.
3. The Einhell Express Guarantee only covers problems caused by material or manufacturing defects, and our liability under the Einhell Express Guarantee is limited, at our discretion, to the rectification of these defects or replacement of the product. Please note that the product has not been designed for use in commercial, trade or industrial applications. Consequently, the Einhell Express Guarantee will not apply if the product is used in commercial, trade or industrial applications or for other equivalent activities.
4. The following are also excluded from the Einhell Express Guarantee: compensation for transport damage, damage caused by failure to comply with the installation/assembly instructions or damage caused by unprofessional installation, failure to comply with the operating instructions (e.g. connection to the wrong mains voltage or current type), misuse or inappropriate use (such as overloading of the product or use of non-approved tools or accessories), failure to comply with the maintenance and safety regulations, ingress of foreign bodies into the product (e.g. sand, stones or dust), effects of force or external influences (e.g. damage caused by the product being dropped) and normal wear resulting from proper operation of the product. The Einhell Express Guarantee will also not apply if any attempt is made to tamper with the product.
5. The Einhell Express Guarantee is valid for a period of 2 years starting from the purchase date of the product. Claims made under the Einhell Express Guarantee should be submitted before the end of this guarantee period and within two weeks of the defect being noticed. No claims under the Einhell Express Guarantee will be accepted if submitted after the end of this guarantee period. The original guarantee period remains applicable to the device even if repairs are carried out or parts are replaced. In such cases, the work performed or parts fitted will not result in an extension of the guarantee period for the Einhell Express Guarantee, and the Einhell Express Guarantee will not apply for the work performed or parts fitted. This also applies when an on-site service is used.
6. To make a claim under the Einhell Express Guarantee, please send the relevant product postage-free to the address shown below and enclose either the original or a copy of your sales receipt or another dated proof of purchase. It would help us if you could describe the nature of the problem in as much detail as possible. If the defect is covered by the Einhell Express Guarantee, your product will be repaired immediately and returned to you, or we will send you a new device (at our election).

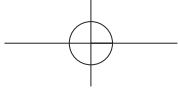
Any costs incurred by you in making a claim under this Einhell Express Guarantee, unless specified otherwise in this guarantee certificate, must be borne by you.

Of course, we are also happy to offer a chargeable repair service for any defects which are not covered by the scope of the Einhell Express Guarantee or for products which are no longer covered by the Einhell Express Guarantee. To take advantage of this service, please send the product to our service address.

EINHELL AUSTRALIA PTY LTD  
6/166 Wellington Street  
Collingwood VIC 3066  
Australia  
Phone: 1300 922 271







EH 02/2013 (01)

